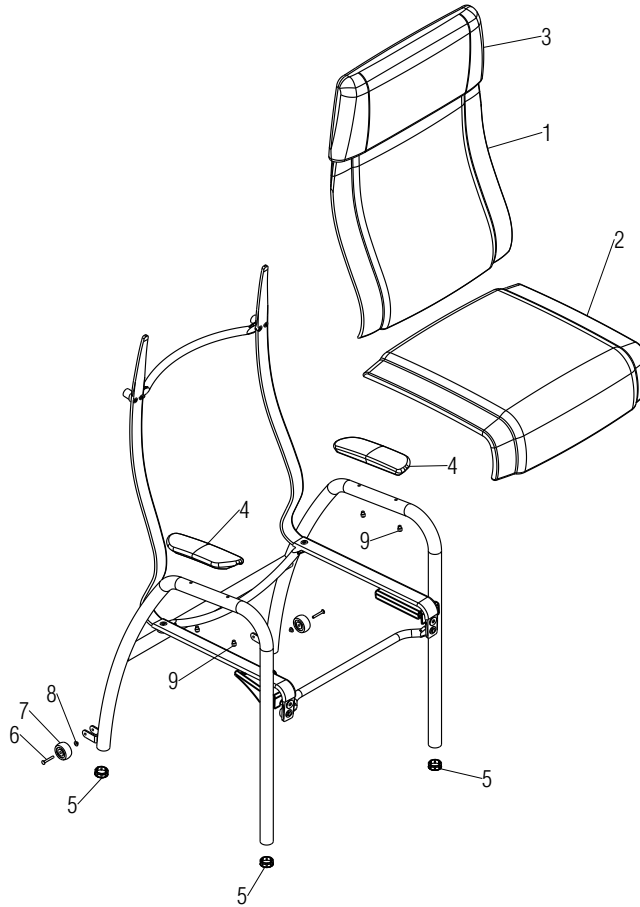


Parts Diagram

Rose™ Patient Seating
4-Leg Chair

February 2018



.XX = Select Color

If chair frame is damaged, please contact KI.

Item	Part Number	Item Description	Req Qty
1	F2904.B	Foam, High Back Chair Back (shown)	1
	F2004.B	Foam, Mid Back Chair Back	1
	F2104.B	Foam, Low Back Chair Back	1
2	F2004.S	Foam, All Chair Types Seat	1
3	46.6570	Foam, Head Rest (used on high back only) (shown)	1
4	08.9050	Cap, Arm	2
5	46.6525	Glide, 4-Leg Chair	4
6	8.4290	Rivet, .19" x 1.32" T375 Semitube	2
7	5175	Wheel, 1 5/8" x 3/4" Rear Tilt	2
8	8.4363	Push Nut, 3/16	2
9	12.9410.P	Screw, 1/4-20 x 1/4" LG SHCS w/Patch	4

