

Disassembly Instructions

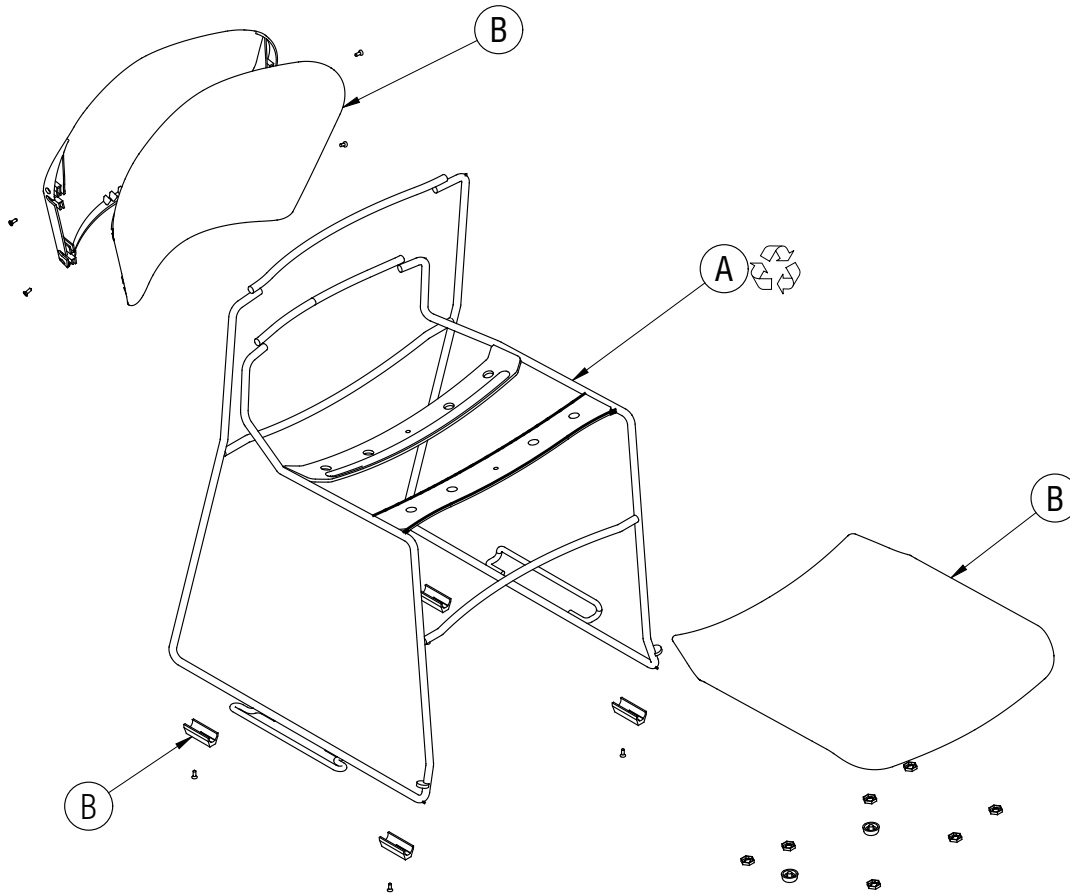


Perry Chair

Material Type: A . Steel B. Plastic


Procedure:

1. Remove the palnuts that connect the seat and backrest to the frame.
2. Remove the glides from frame.
3. Recycle the steel frame.
4. Discard the plastic seat and backrest.



General Notes:

1. Disassembly time: 10-15 minutes
2. This procedure assumes basic familiarity with hand tools and furniture terminology: no specialized training is required
3. All materials removed and disassembled shall be sorted and segregated with like materials and disposed of or recycled according to recycling availability or waste acceptance
4. For items to be recycled, refer to KI's End of Life Recycling Matrix and KI's End of Life Recovery Options Matrix, available at www.ki.com

 All fasteners not explicitly tagged are Material Type A: Steel



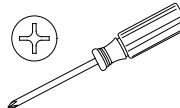
Required Tools



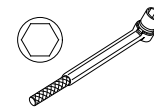
Gloves



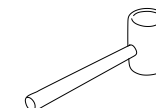
Safety Glasses



Phillips Screwdriver



Hex Socket Wrench



Rubber Mallet