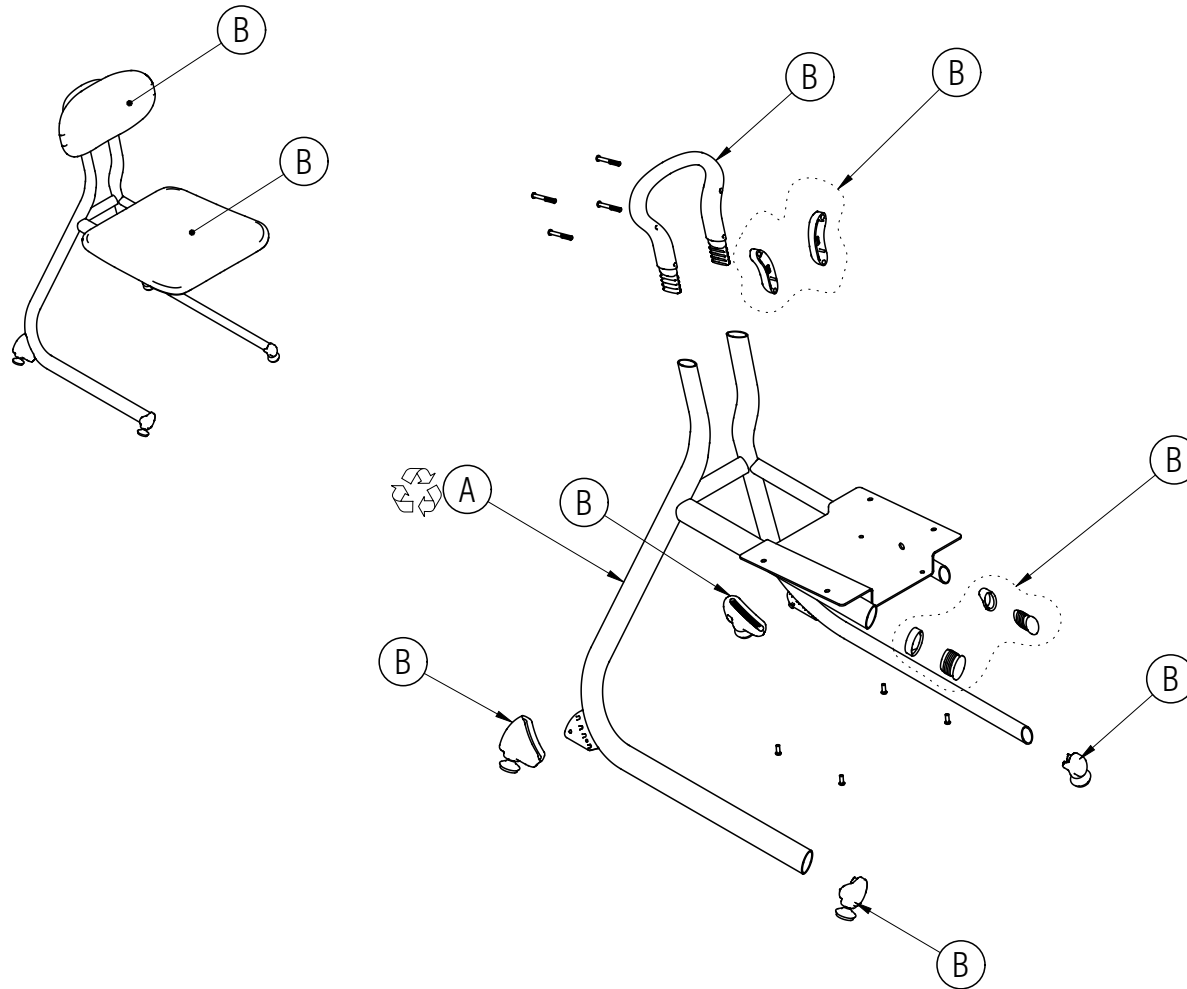


Disassembly Instructions

Intellect Cantilever Chair

Material Type: A . Steel B. Plastic




Procedure:

1. Remove the screws holding the seat to the chair frame and remove the seat.
2. Remove the screws holding the backrest to the chair frame and remove the backrest.
3. Drive the chair handle upwards to remove it from the chair frame.
4. Pry the out the glides from the ends of the leg tubes and the heel plates.

General Notes:

1. Disassembly time: 5-10 minutes
2. This procedure assumes basic familiarity with hand tools and furniture terminology: no specialized training is required
3. All materials removed and disassembled shall be sorted and segregated with like materials and disposed of or recycled according to recycling availability or waste acceptance
4. For items to be recycled, refer to KI's End of Life Recycling Matrix and KI's End of Life Recovery Options Matrix, available at www.ki.com

 All fasteners not explicitly tagged are Material Type A: Steel

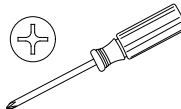
Required Tools



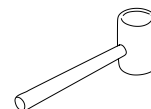
Gloves



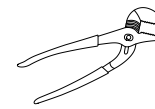
Safety Glasses



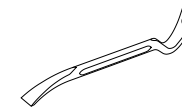
Phillips Screwdriver



Rubber Mallet



Channel Lock Pliers



Pry Bar