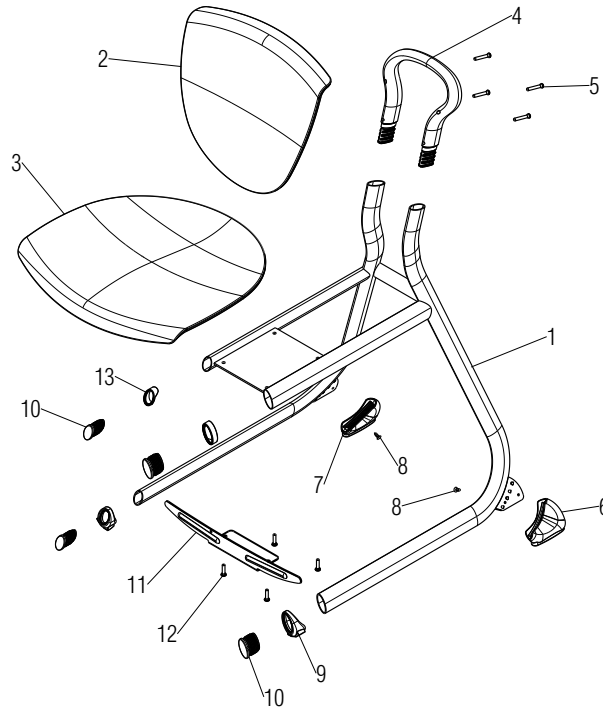


Parts Diagram

Intellect® Classroom Furniture
Small, Medium, Large & Extra Large Chair

April 2018



.XX = Select Color

Item	Part Number	Item Description	Req Qty
1	46.0457.XX	Weldment, Small Chair Frame (12" seat height)	1
	46.0460.XX	Weldment, Medium Chair Frame (14" seat height)	1
	46.0478.XX	Weldment, Large Chair Frame (16" seat height)	1
	46.0474.XX	Weldment, Extra Large Chair Frame (18" seat height)	1
2	46.0455.XX	Back, Small Chair	1
	46.0471.XX	Back, Medium Chair	1
	46.0483.XX	Back, Large Chair (used on Extra Large chair too)	1
3	46.0454.XX	Seat, Small Chair	1
	46.0472.XX	Seat, Medium Chair	1
	46.0484.XX	Seat, Large Chair (used on Extra Large chair too)	1
4	46.0456.ENBL2	Handle, Chair	1
5	46.0459	Screw, K50 - 2.24 x 35mm	4
6	46.2451.L	Glide, Flat Corner, LH	1
7	46.2451.R	Glide, Flat Corner, RH	1
8	46.0453	Screw, 8-32 x 1/2" PFH T-AB	2
9	46.0450	Glide, Front	2
10	46.0451	Cap, Tube End	4
11	46.6241	Bracket, Ribbed Seat Support	1
12	46.0666	Screw, K50 - 2.24 x 20mm T-20 TPH w/ PATCH	4
13	46.0548	Bumper, Chair Stacking	2

