

# Repair & Replacement Instructions ■

Intellect® Chair

Seat Support Bracket, Seat & Back

July 2018

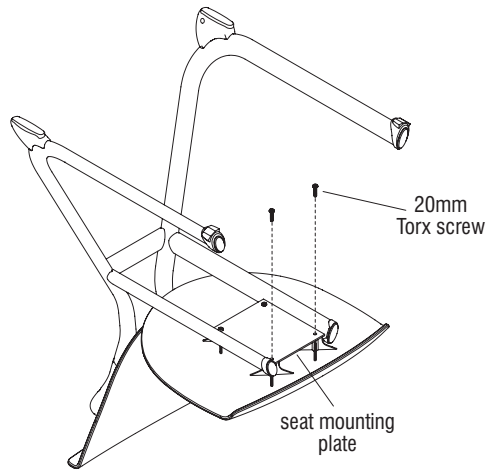


Figure 1

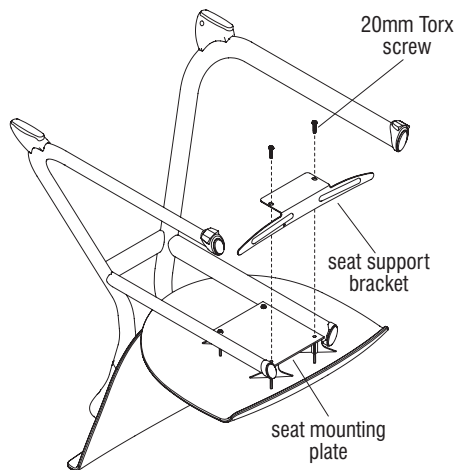


Figure 2

**Note:** If a powered device is used to tighten the screws, start at the lowest torque setting and slowly increase the torque until the screws are snug against the frame. Damage to the plastic seat could result if the screws are over-tightened.

## Seat Support Bracket Installation

**Note:** Seat Support Brackets are only available for EC16 & EC18 (Large and X-Large) Intellect Chairs.

1. Carefully place chair upside down on a soft, protective surface. Locate the two front 20mm Torx screws securing the seat to the seat mounting plate and remove them using a Torx T20 drive (Figure 1).
2. Position the seat support bracket onto the seat mounting plate so the wings of the bracket rest under the front of the seat. Align the holes of the bracket with the two front holes of the mounting plate and loosely start each of the two 20mm Torx screws previously removed in step 1. Using a Torx T20 drive, carefully tighten the two 20mm Torx screws. Take care to not over tighten or damage may occur to the plastic seat (Figure 2).



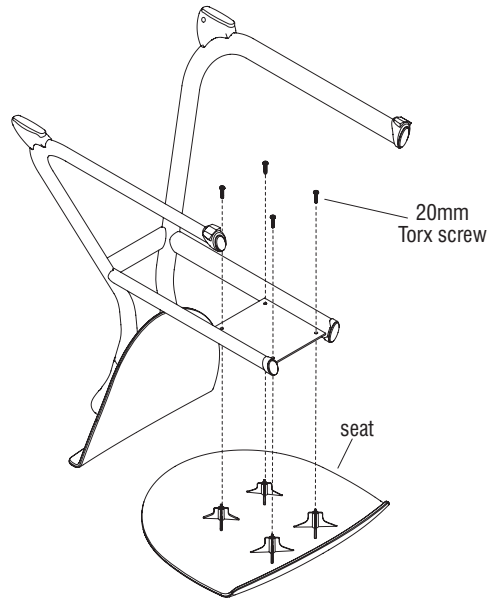
Assemble units as described herein only. To do otherwise may result in instability. All screws, nuts and bolts must be tightened securely and must be checked periodically after assembly. Failure to assemble properly, or to secure parts may result in assembly failure and personal injury.



Assemble units as described herein only. To do otherwise may result in instability. All screws, nuts and bolts must be tightened securely and must be checked periodically after assembly. Failure to assemble properly, or to secure parts may result in assembly failure and personal injury.

### Seat Removal & Replacement

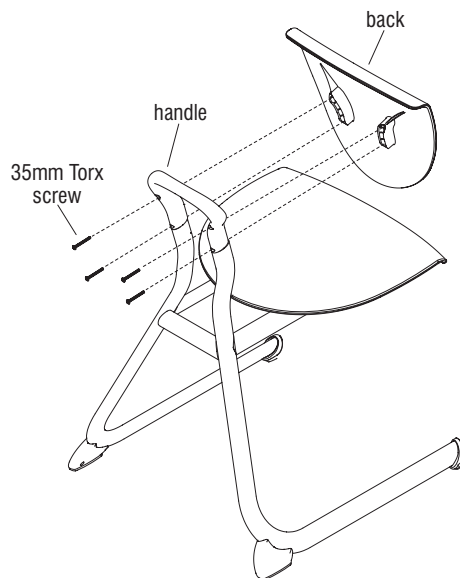
1. To remove the seat, carefully place chair upside down on a soft, protective surface. Locate the four 20mm Torx screws and remove using a Torx T20 drive (Figure 3).
2. To install a replacement seat, first position the seat onto the seat mounting plate. Align the holes of the seat with the mounting plate holes and loosely start each of the four 20mm Torx screws. Using a Torx T20 drive, carefully tighten each of the four screws. Take care to not over tighten or damage may occur to the plastic seat (Figure 3).



**Figure 3**

### Back Removal & Replacement

1. To remove the back, first locate the four 35mm Torx screws which are recessed into the back of the handle. Remove the screws with a Torx T20 drive (Figure 4).
2. To install a replacement back, first position the back onto the handle. Align the holes of the back with the holes on the handle and loosely start each of the four 35mm Torx screws. Using a Torx T20 drive, carefully tighten each of the four screws. Take care to not over tighten or damage may occur to the plastic back (Figure 4).



**Figure 4**

### General Maintenance

**Note:** Intellect seats, backs and desktops are one-piece injection molded ABS. The surfaces may be cleaned with most common cleaners and a rag or soft brush. Avoid using any solvent-based cleaners as they can react with the ABS and degrade the appearance and strength of the product.