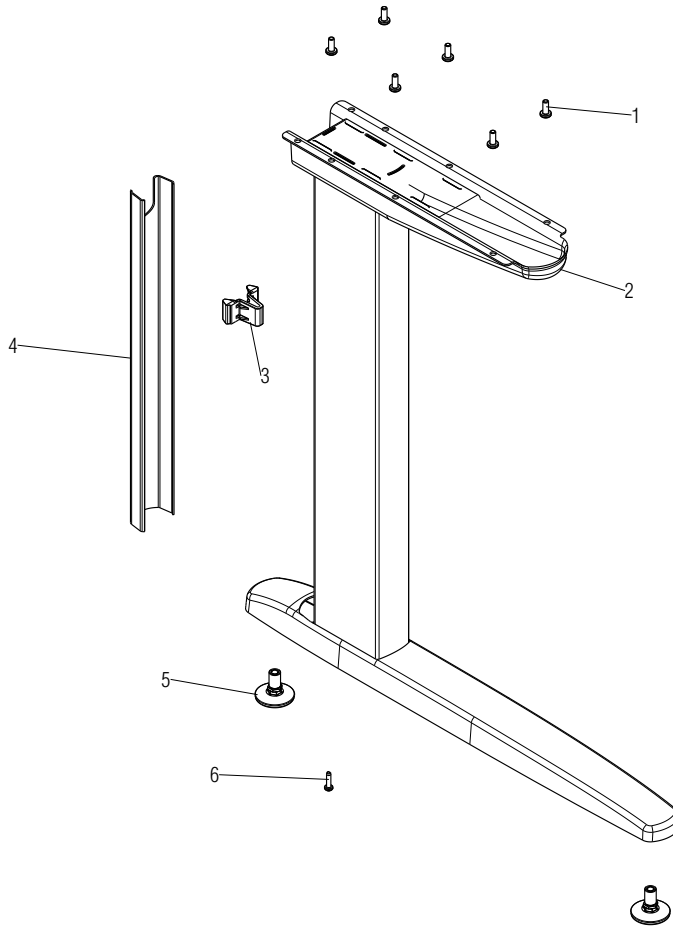


Parts Diagram

InTandem® Table System
C Leg

August 2013



Item	Part Number	Item Description	Qty
1	46.0964	Screw Kit - Qty (6) 1/4-20 x 5/8" Torx Pan Head Screws	1
2	46.0892.2427	Weldment, Leg, 24" x 27"	1
	46.0892.2429	Weldment, Leg, 24" x 29"	1
	46.0892.2438	Weldment, Leg, 24" x 38"	1
	46.0892.3027	Weldment, Leg, 30" x 27"	1
	46.0892.3029	Weldment, Leg, 30" x 29"	1
	46.0892.3038	Weldment, Leg, 30" x 38"	1
3	46.0890	Wireway, Vertical	1
4	46.0870	Clip, Wire Channel	1
5	46.0877	Assembly, Glide	2
6	PC.12.0006	Screw, #10-24 x 3/4 Torx PH Type 2	1

