

Assembly Instructions ■

InTandem® Table System

Leg-Mounted CPU Holder

December 2012

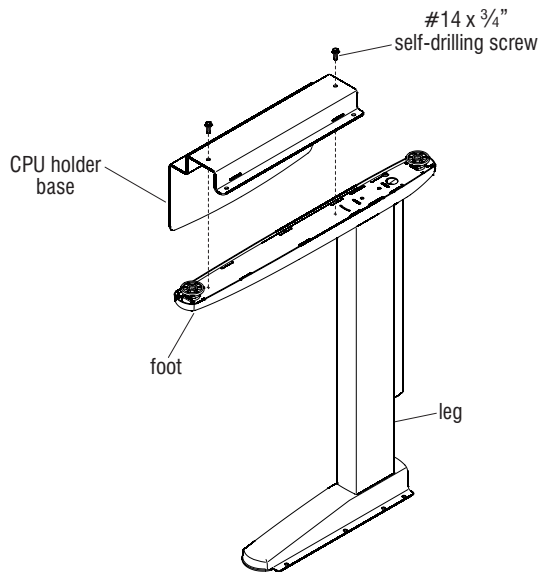


Figure 1

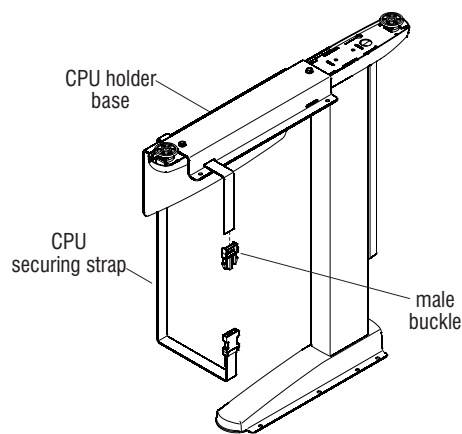


Figure 2



Assemble units as described herein only. To do otherwise may result in instability. All screws, nuts and bolts must be tightened securely and must be checked periodically after assembly. Failure to assemble properly, or to secure parts may result in assembly failure and personal injury.

Tools Required

- Screw Gun, Battery, Charger
- $\frac{3}{8}$ " Nut Driver Socket Bit
- $\frac{7}{16}$ " Wrench

Note: The Large CPU Holder can be used on 30" deep InTandem legs and will accommodate single or double CPU widths of 5.5" – 9.0". The Small CPU Holder can be used on 24" and 30" deep InTandem legs and will accommodate single or double CPU widths of 3.8" – 5.8".

Note: Both the Large and Small CPU Holders can be placed on left, right, or center InTandem legs. While orientation is not critical to the function of the holder, it may be desirable to have the CPU holder side (components with large adjustment slots) toward the inside of the desk to reduce the amount of overhang into an aisle at the end of a desk run.

1. Unpack the InTandem CPU holder components and locate the hardware kit. Place the InTandem leg or desk assembly upside down on a soft, protective surface. Place the CPU holder base on the bottom surface of the table leg's foot. Position the CPU holder base so that its back edge is slightly ahead of leg column vertical tube and generally parallel with the foot. Hold in place and secure with two #14 x $\frac{3}{4}$ " self-drilling screws (Figure 1).
2. Remove the male buckle from CPU securing strap and feed end through small slot in CPU holder base, across the foot, and through small slot in opposite wall. Replace male buckle by feeding strap through opening nearest teeth and loop back and through outside opening. Repeat for second strap (Figure 2).

InTandem® Table System - Leg-Mounted CPU Holder

Assembly Instructions



Assemble units as described herein only. To do otherwise may result in instability. All screws, nuts and bolts must be tightened securely and must be checked periodically after assembly. Failure to assemble properly, or to secure parts may result in assembly failure and personal injury.

3. If not installed already, attach leg to worksurface and carefully turn desk assembly to the upright position. Insert $\frac{1}{4}$ x $\frac{1}{2}$ " carriage bolt into large slot in CPU holder side and align bolt with hole in CPU holder base. Thread $\frac{1}{4}$ " nut onto carriage bolt, leaving slightly loose until adjustment for CPU size is completed. Repeat assembly for second carriage bolt and nut (Figure 3).
4. Determine location of $\frac{1}{2}$ " diameter self-adhesive bumpers and place accordingly. The rubber bumpers should be spaced equally on the horizontal surface of the CPU holder side while the felt bumpers should be placed near the top edge of both the CPU holder base and CPU holder side (Figure 4).
5. Set CPU in place and adjust CPU holder side appropriately. Tighten both $\frac{1}{4}$ " nuts. Snap CPU securing strap male and female ends together and pull strap end tight until CPU is held securely (Figure 5).

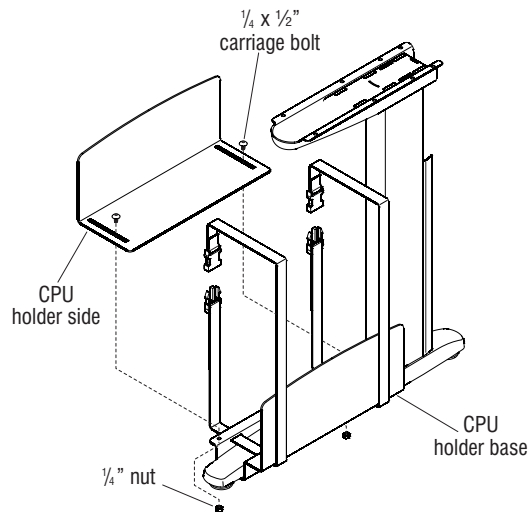


Figure 3

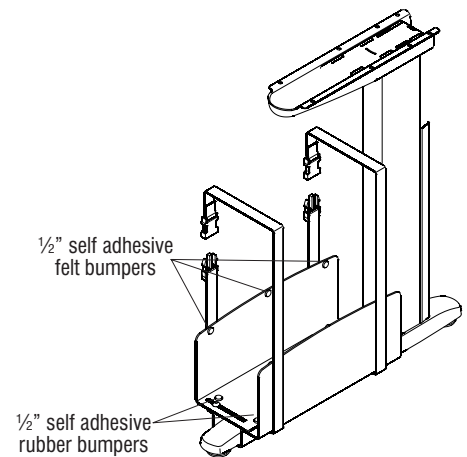


Figure 4

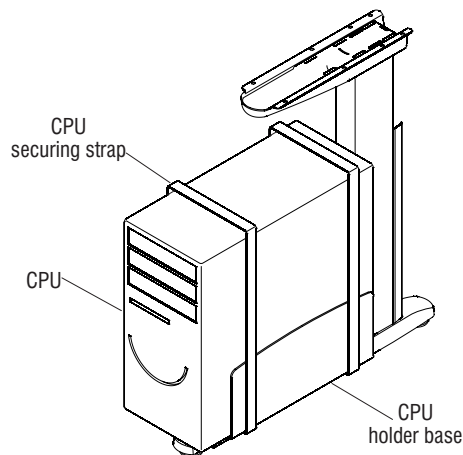


Figure 5