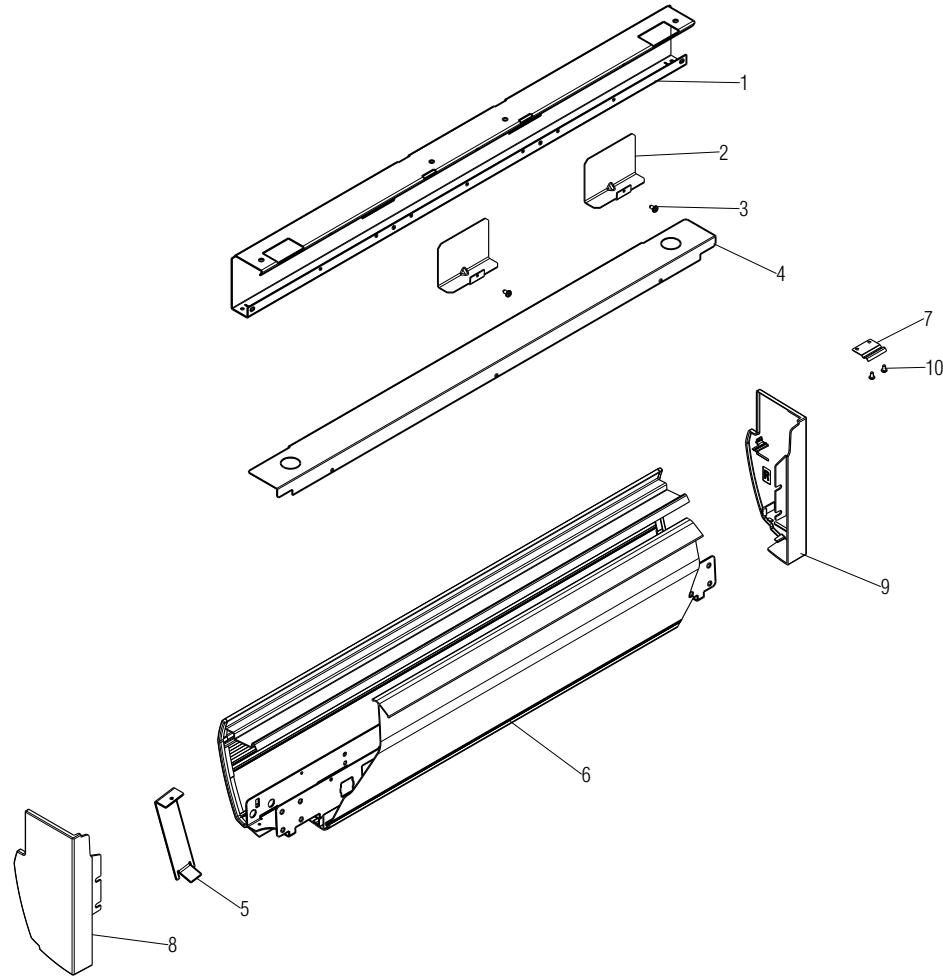


# Parts Diagram

InTandem® Table System  
No Power Beam with Data Cover

June 2018



.XX = Select Color

.LENGTH = Length of Table

\* = Item 5 quantity is two for 60" or less table width & 3 for table widths 72" or greater.

\*\* = Item 7 quantity is one for 24" lengths, two for 30" lengths & three for 36" lengths.

**Note:** Item 5 is included with Item 6.

Item	Part Number	Item Description	Req Qty	Item	Part Number	Item Description	Req Qty
1	47.0482.LENGTH.GK	Beam, 810 Power	1	7	PC.44.0002	Clip, Inner Door	**
2	46.0897.GK	Cover, Rear Outlet	2	8	46.0876.L.XX	Cap, Left Beam End	1
3	46.0962	Screw, #10-16 x 3/8 Torx PH Type B	2	9	46.0876.R.XX	Cap, Right Beam End	1
4	46.0990.LENGTH.GK	Data Cover	1	10	DZ.12.0006	Screw, #8 x 3/8"	2
5	47.0270	Reinforcement, Rear Door	*				
6	46.0895.LENGTH.XX	Assembly, Non-Powered Beam	1				

