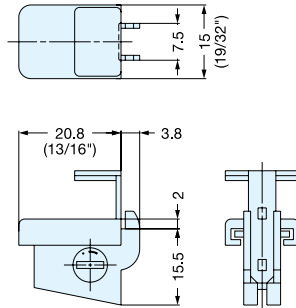


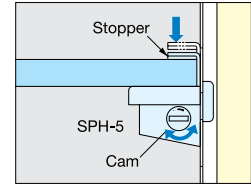
# SHELF SUPPORT (W/HOLDER)



## SPH-5



- Shelf support for SPH-1820.
- Shelf support is friction retention.
- Glass thickness: 4~8 mm (5/32"~5/16") thickness
- Rubber pad provides a gripped surface to reduce slippage.



Installation

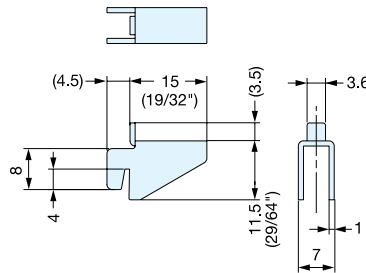
Item No.	Load Capacity (kg)	Weight (g)	Box (pcs)	Carton (pcs)
SPH-5	130 (286 lbs)/4 pcs	8	100	1000

Material	Finish/Color
304 Stainless Steel	Satin
Synthetic Rubber pad	Black

# SHELF SUPPORT



## SPH-15



- Shelf support for SPH-1820.

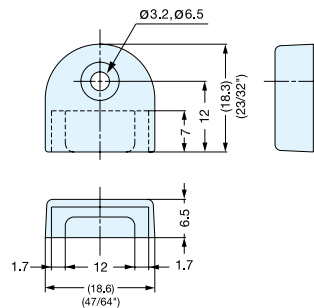
Item No.	Load Capacity (kg)	Weight (g)	Box (pcs)	Carton (pcs)
SPH-15	130 (286 lbs)/4 pcs	2.6	400	4000

Material	Finish
304 Stainless Steel	Satin

# END CAP



## SP-18E



- End cover cap for SPH, SM, SP, SPW shelf standards.

Item No.	Weight (g)	Box (pcs)	Carton (pcs)
SP-18E/BLK	1.3	500	5000
SP-18E/WHT			

Material	Color
ABS	Black (BLK), White (WHT)