

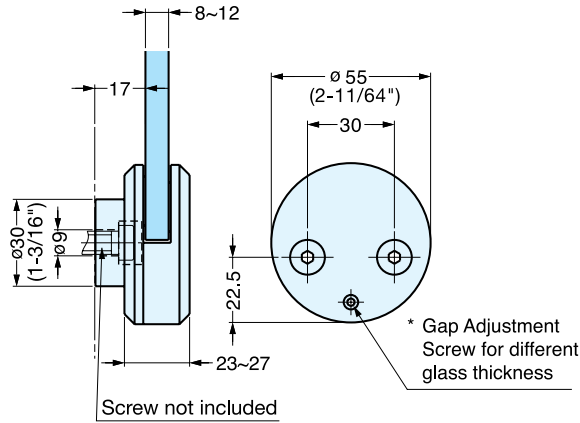


GLASS CLAMP

4860



- Front mount type glass clamp.
- Equipped with adjustment screw to accommodate different glass thickness.
- See page 466 for load capacity.
- Tempered Glass Recommended.



Item No.	Glass Thickness (mm)	Weight (g)	Box (pcs)	Carton (pcs)	Material	Finish
4860ZN1	8~12	24	10	100	Zinc Alloy	Matte Chrome
4860ZN5						Chrome

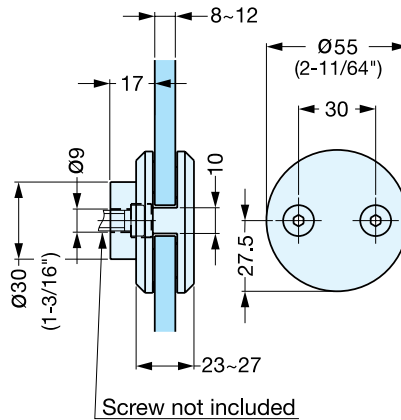


GLASS CLAMP

4866



- Front mount type glass clamp.
- For applications where glass panels need to be installed side by side.
- Equipped with adjustment screw to accommodate different glass thickness.
- See page 466 for load capacity.
- Tempered Glass Recommended.



Item No.	Glass Thickness (mm)	Weight (g)	Box (pcs)	Carton (pcs)	Material	Finish
4866ZN1	8~12	221	10	100	Zinc Alloy	Matte Chrome
4866ZN5						Chrome