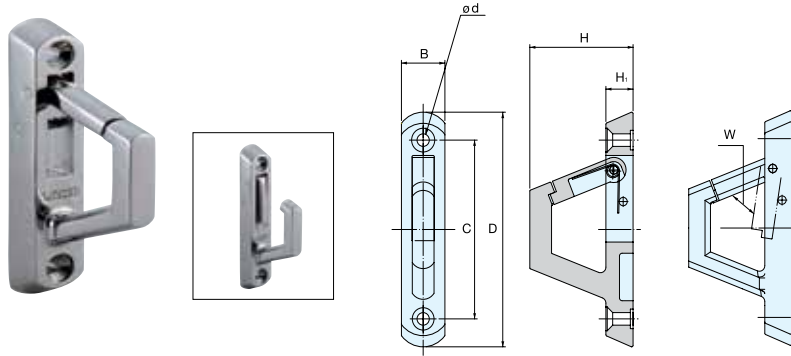


LATCH HOOK



EN-K



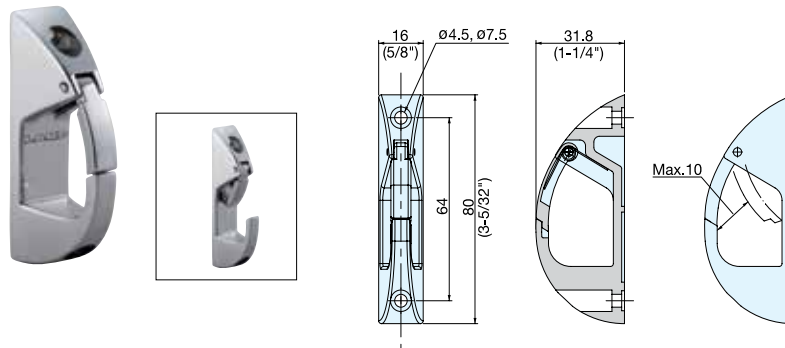
• Keeps items hooked, ideal for vibration or shock applications.

Item No.	D	C	B	H	H ₁	d	W	Load Capacity (kg)		Weight (g)	Box (pcs)	Carton (pcs)	Material	Finish
								Hook	Arm					
EN-K 84	84 (3-5/16")	64	16 (5/8")	38 (1-1/2")	10 (25/64")	4.5, 8.5	Max.10	20 (44 lbs)	10 (22 lbs)	92	10	120	316 Stainless Steel	Polished
EN-K120	120 (4-23/32")	96	22 (7/8")	54 (2-1/8")	12 (15/32")	5.4, 10.5	Max.20	60 (132 lbs)		280		60		

LATCH HOOK



EN-R80



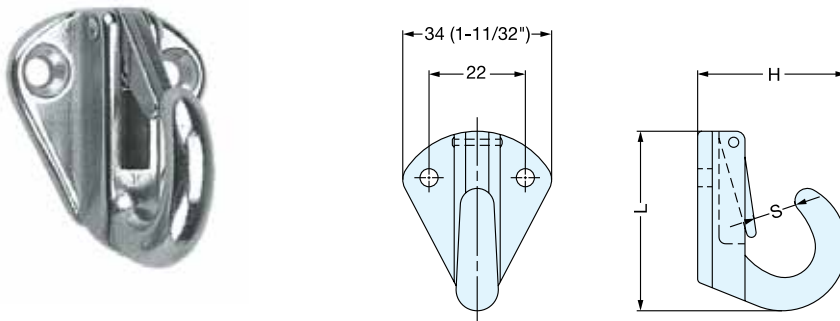
• Keeps items hooked, ideal for vibration or shock applications.

Item No.	Load Capacity (kg)		Weight (g)	Box (pcs)	Carton (pcs)	Material	Finish
	Hook	Arm					
EN-R80	20 (44 lbs)	10 (22 lbs)	85	10	120	316 Stainless Steel	Polished

LATCH HOOK



WH



• Keep items hooked, ideal for vibration or shock applications.

Item No.	L	H	S	Load Capacity (kg)	Weight (g)	Box (pcs)	Carton (pcs)	Material	Finish
WH-1	38 (1-1/2")	25 (63/64")	7						
WH-2	41 (1-39/64")	34 (1-11/32")	10	55					