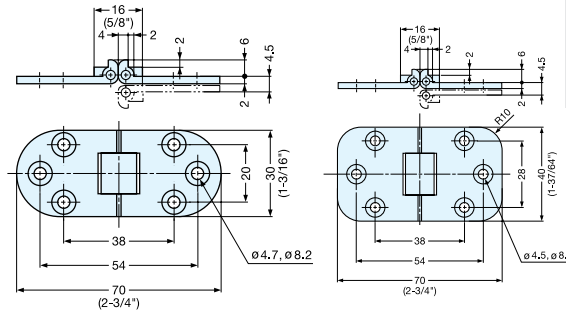


TABLETOP HINGE



SMH-30, 40



- Double pivot hinge with 180° opening.
- Door Size: Max. W450 × H700 × t21 mm (W17-3/4" × H27-9/16" × t53/64")
- Door Weight: Max. 4 kg/pair (8.8 lbs/pair)
- Creates a flush surface when hinge is recessed into a tabletop, tray, etc.

Please specify the finish when ordering.

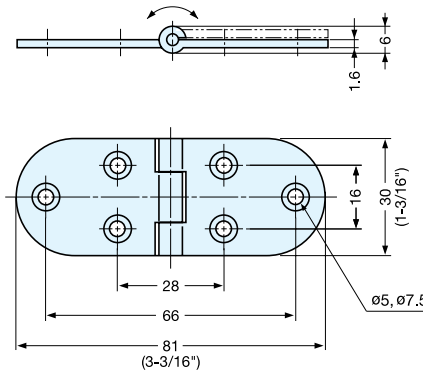
Item No.	Weight (g)	Box (pcs)	Carton (pcs)
SMH-30	45	24	360
SMH-40	64	16	240

Material	Finish
Brass	Polished Brass (PB) Satin Nickel (SN) Chrome (CR)

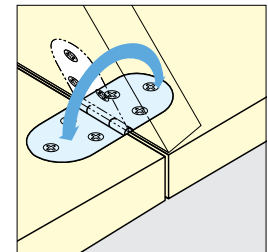
TABLETOP HINGE



SMH-83



- Door Size: Max. W450 × H700 × t21 mm (W17-3/4" × H27-9/16" × t53/64")
- Door Weight: Max. 4 kg/pair (8.8 lbs/pair)



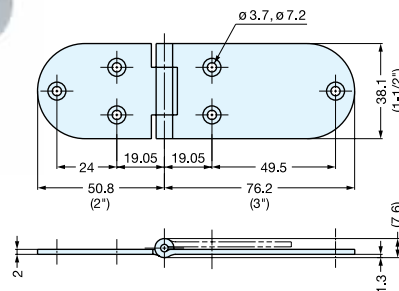
Installation

Item No.	Weight (g)	Box (pcs)	Carton (pcs)	Material	Finish
SMH-83/S	28	100	1000	304 Stainless Steel	Satin (S)
SMH-83/CR	31			Steel	Chrome (CR)

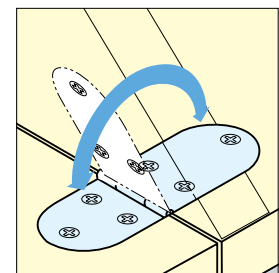
TABLETOP HINGE



MA-5



- Door Size: Max. W450 × H700 × t21 mm (W17-3/4" × H27-9/16" × t53/64")
- Door Weight: Max. 4 kg/pair (8.8 lbs/pair)



Installation

Item No.	Weight (g)	Box (pcs)	Carton (pcs)	Material	Finish
MA-5	74	20	200	304 Stainless Steel	Mirror