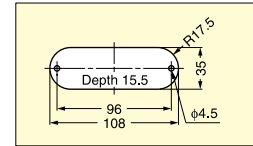
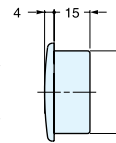
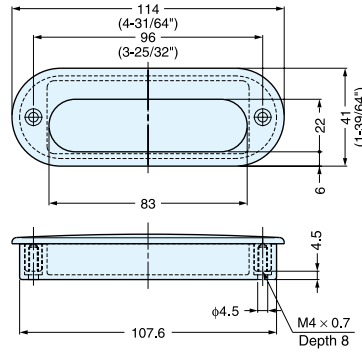


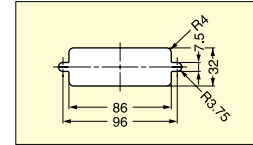
RECESSED PULL



HH-D



Bore Dimensions for wood panel.



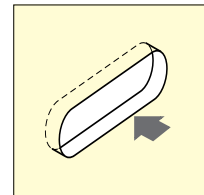
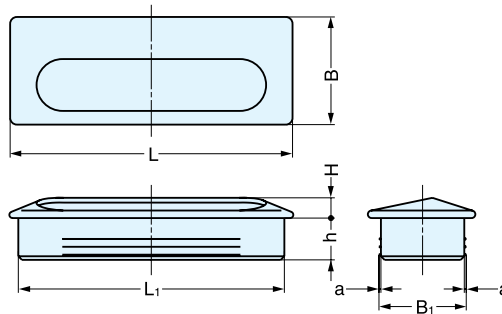
Cut Out Dimensions for sheet metal. Put sheet metal between front and back part for sheet metal applications. (Max. sheet metal thickness: 2 mm)

Item No.	Weight (g)	Box (pcs)	Carton (pcs)	Material	Finish/Color
HH-D	85	10	60	316 Stainless Steel	Mirror
				ABS	Black

RECESSED PULL



UT



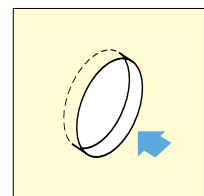
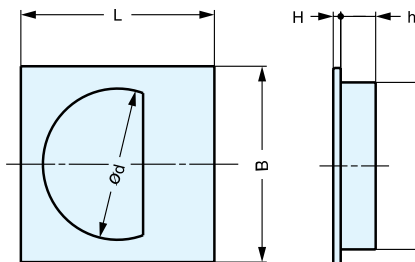
Installation

Item No.	L	L ₁	H	h	B	B ₁	a	Weight (g)	Box (pcs)	Carton (pcs)	Material	Finish/Color
UT- 75/S	75 (2-61/64")	71	7.0	15.5	36	30.8	0.4	15	40	400	304 Stainless Steel	Satin (S)
UT-105/S	105 (4-1/8")	99	7.5	15.5	40	32.5	0.5	30	25	250	Brass (UT-105/PB only)	Brass (PB)/(UT-105/PB)
UT-140/S	140 (5-33/64")	134	7.5	15.5	47	40.5	0.5	45	15	150	Plastic	Black
UT-105/PB	105 (4-1/8")	99	7.5	15.5	40	32.5	0.5	30	25	250		

RECESSED PULL



SP



Installation

Material	Finish/Color
304 Stainless Steel	Satin (S)
Brass (SP-35/PB only)	Polished Brass (SP-35/PB)
Plastic	Black

Item No.	L	B	H	h	D	d	Weight (g)	Box (pcs)	Carton (pcs)
SP-35/S	44 (1-47/64")	44 (1-47/64")	2.2	9.8 (25/64")	35.1	31	10	100	1000
SP-38/S	47 (1-27/32")	47 (1-27/32")		10.3 (13/32")	37.6	34	11	60	1440
SP-48/S	57 (2-1/4")	57 (2-1/4")		10.3 (13/32")	48.6	44	16	50	1200
SP-35/PB	44 (1-47/64")	44 (1-47/64")		9.8 (25/64")	35.1	31	10	100	1000