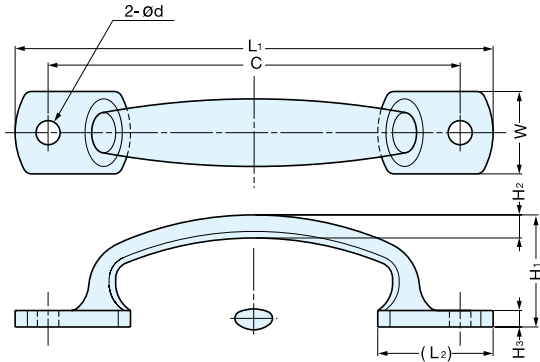


TRANSOM HANDLE



3LC



| | |
|---------------------|--------|
| Material | Finish |
| 316 Stainless Steel | Mirror |

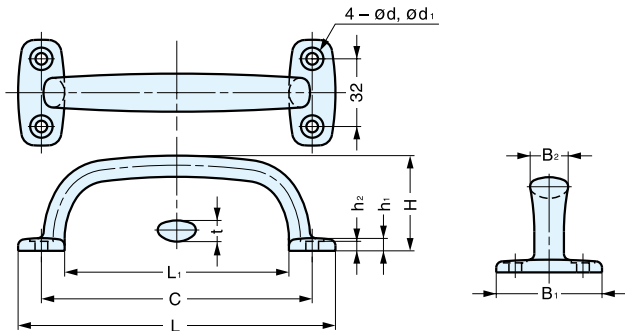
| Item No. | L ₁ | L ₂ | W | H ₁ | H ₂ | H ₃ | C | d | Weight (g) | Box (pcs) | Carton (pcs) |
|----------|----------------|----------------|----|----------------|----------------|----------------|----------------|-----|----------------|-----------|--------------|
| 3LC-120 | 120 | 29 | 20 | 30 (1-3/16") | 6 | 5 | 105 (4-9/64") | 5.5 | 90 | 100 | 500 |
| 3LC-130 | 130 | 30 | 22 | 33 (1-19/64") | 7 | 6 | 115 (4-17/32") | | 120 | | |
| 3LC-145 | 145 | 35 | 25 | 34 (1-11/32") | | | | | 125 (4-59/64") | 6.5 | 155 |

TRANSOM HANDLE



4LC

• Ideal for harsh and high corrosive environments.



| | |
|---------------------|--------|
| Material | Finish |
| 316 Stainless Steel | Mirror |

| Item No. | L | L ₁ | C | B ₁ | B ₂ | H | h ₁ | h ₂ | t | d | d ₁ | Weight (g) | Box (pcs) | Carton (pcs) | Screw |
|----------|-----|----------------|----------------|----------------|----------------|-----------------|----------------|----------------|----|---|----------------|-----------------|-----------|--------------|--------|
| 4LC-82 | 82 | 46 | 64 (2-33/64") | 48 | 16 | 36.5 (1-7/16") | 5.5 | 4.0 | 8 | 5 | 9.5 | 110 | 8 | 96 | 4 × 20 |
| 4LC-114 | 114 | 78 | 96 (3-25/32") | | | 40.0 (1-37/64") | | | | | | 9 | 148 | 6 | |
| 4LC-150 | 150 | 106 | 128 (5-1/32") | 50 | 18 | 45.0 (1-49/64") | 6.0 | 4.5 | 10 | 6 | 11.0 | 210 | 3 | 36 | 5 × 32 |
| 4LC-180 | 180 | 140 | 160 (6-19/64") | | | 20 | | | | | | 48.0 (1-57/64") | 6.5 | 5.0 | |