

Install Instruction

DRYWALL FLANGE KIT

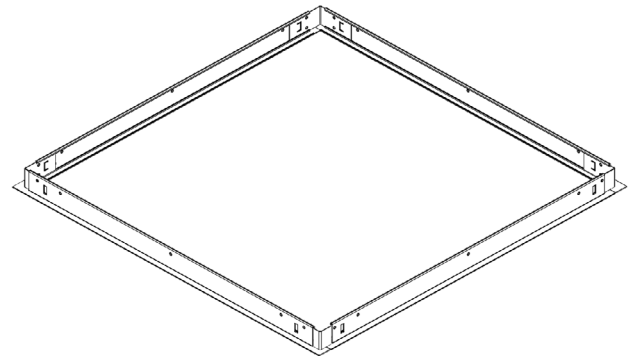
1x2 | 1x4 | 2x2 | 2x4 |

DESCRIPTION

Mounting frame assembly for mounting Fluxwerx recessed luminaires in drywall ceilings or other ceilings requiring flanges.

FEATURES

- Designed to permit use of grid (NEMA G) luminaires in ceilings requiring flanges.
- Extruded aluminum construction.
- Includes components for complete assembly.

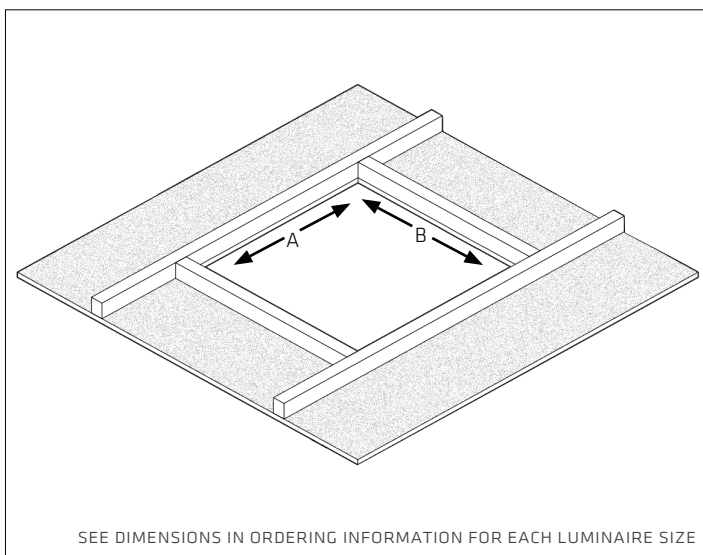


2X2 MOUNTING FRAME ASSEMBLY SHOWN

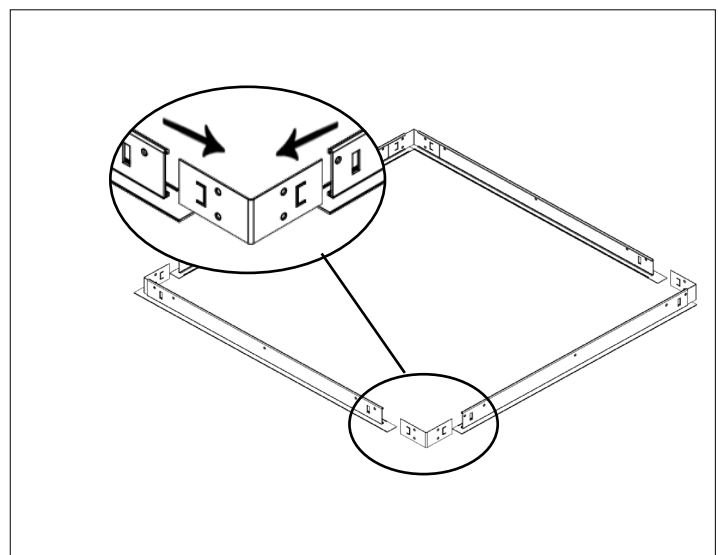
ORDERING INFORMATION

CATALOG NUMBER	LUMINAIRE SIZE	SINGLE LUMINAIRE CEILING OPENING	
		A	B
FK-12	1' x 2'	12-5/8" (321mm)	24-5/8" (626mm)
FK-14	1' x 4'	12-5/8" (321mm)	48-5/8" (1235mm)
FK-22	2' x 2'	24-5/8" (626mm)	24-5/8" (626mm)
FK-24	2' x 4'	24-5/8" (626mm)	48-5/8" (1235mm)

CEILING OPENING



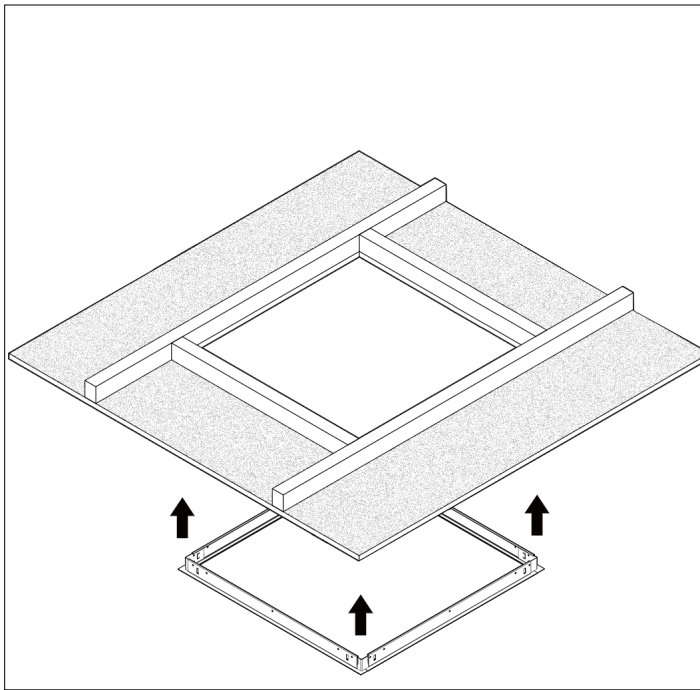
FLANGE ASSEMBLY



INSTALL WITH SCREWS

1. Frame out the ceiling opening to the size shown in the ordering information table.
2. Assemble drywall flange kit with the provided corner clips.
3. Screw (by others) the assembled drywall flange securely into the side framing members sufficiently to support the weight of installed fixture and flange kit.
4. Install the luminaire into the Drywall Flange from below by angling the fixture through the opening and lowering the fixture into position.

NOTE:
Electrical connections to the luminaire must be made before installing the fixture unless access from above is available.



INSTALL WITH WIRE HANGERS

1. Frame out the ceiling opening to the size shown in the ordering information table and attach wire hangers to deck structure above the opening.
2. Assemble drywall flange kit with the corner clips.
3. Place the frame in the ceiling opening with the flange overlapping the drywall.
4. Attach suspension wire to frame holes securely, ensuring that the frame is snug to the ceiling and sufficient to support the weight of installed fixture and flange kit.
5. Install the luminaire into the frame by angling fixture through the opening and lowering fixture into position.

NOTE:
Electrical connections to the luminaire must be made before installing the fixture unless access from above is available.

