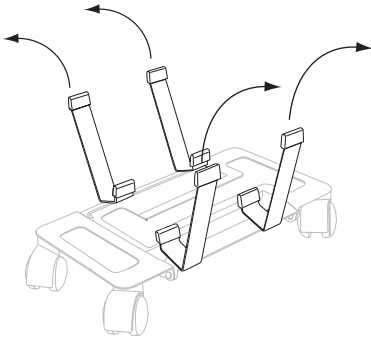
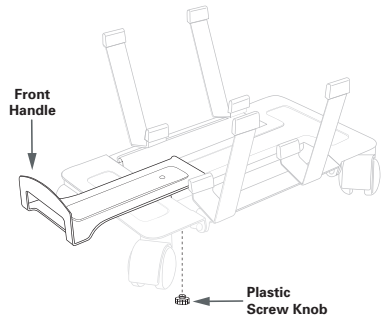


# CPU Dolly with Platform Set-Up Instructions

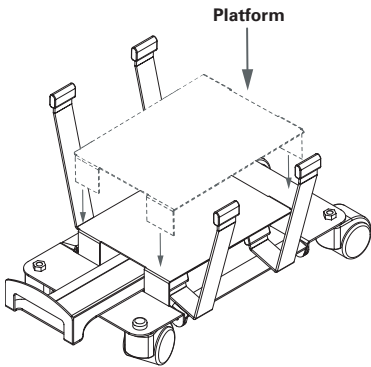
For Use with CPUs 1.5" to 9" Wide



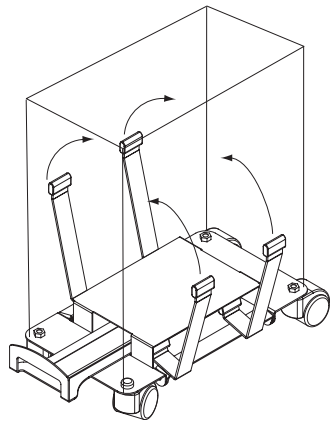
**Step 1:** Open arms of CPU Dolly



**Step 2:** Attach Front Handle by placing bolt through one of three holes on base (depending on desired handle extension) and secure with plastic screw knob.



**Step 3:** With Dolly arms open, place platform onto Dolly as shown



**Step 4:** Center CPU on platform. The arms will automatically close to secure the CPU in place.