

Sink - LULU

Single-lever lavatory mixer with drain - polished chrome

Article number: 33 500 710-00 0010

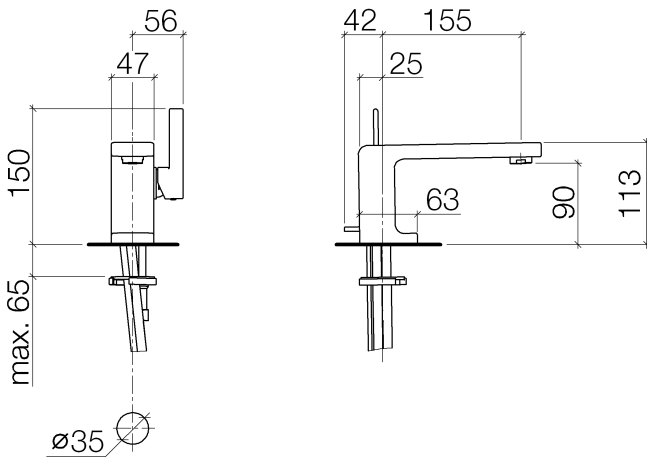


- 6-1/8" Projection
- US drain with overflow
- Fixed spout
- Round aerated stream
- Total height 4-1/2"
- Height to aerator/spout outlet 3-1/2"
- 1-3/8" hole diameter
- 2x 3/8" flexible supply lines
- 2x 10 mm flexible supply lines including 3/8" US adapters
- Water flow rate limited to max. 1.2 gpm
- lead-free
- (ADA)
- Suitable only for basins with overflow.



polished chrome

Dimensional drawing



All dimensions in mm / inch = mm x 0,0394