



Kitchen sink - Maro

Two-hole mixer with individual flanges - polished chrome

Article number: 32 800 795-00 0010



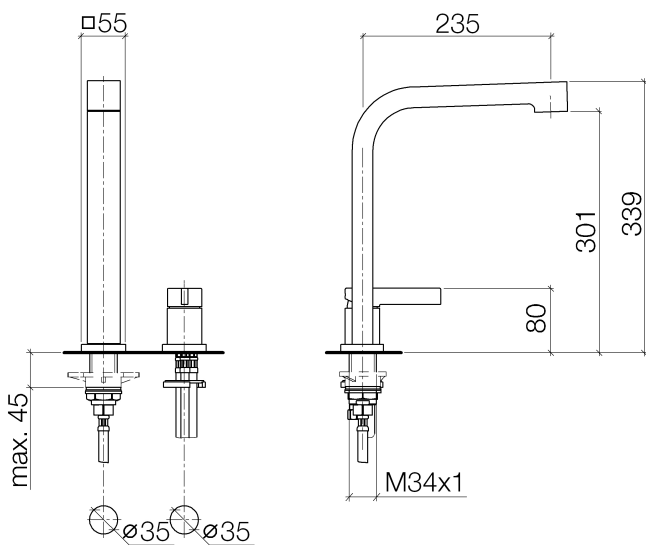
- 9-1/4" Projection
- Swivel spout 360°
- Areated stream
- Total height 13-3/8"
- Height to aerator/spout outlet 11-7/8"
- Individual flanges 2-1/8" x 2-1/8"
- Spout hole diameter 1-3/8"
- Single-lever mixer hole diameter 1-3/8"
- 2x 3/8" US flexible supply lines
- Water flow rate limited to max. 1.5 gpm
- lead-free
- (ADA)
- Flexible positioning of components



polished chrome

Discontinued items available through 30.09.2018

Dimensional drawing



All dimensions in mm / inch = mm x 0,0394