

the power of

# 1130™ PATH LIGHT (1130)



Warning



Low Voltage



Hot Surface



Wear Gloves

NEEDED FOR INSTALLATION:



1/8", 5/32", 5/64" Allen Wrench



Waterproof Wire Connectors



Gloves

By Others

## IMPORTANT SAFETY INFORMATION - READ, FOLLOW, AND SAVE THESE INSTALLATION INSTRUCTIONS



**IMPORTANT - WEAR GLOVES TO AVOID GETTING FINGERPRINTS ON THIS PRODUCT. MANY TEKA ILLUMINATION PRODUCTS ARE DESIGNED TO NATURALLY PATINA. OILS FROM YOUR SKIN WILL ACCELERATE THIS PROCESS WHERE TOUCHED AND ARE NEARLY IMPOSSIBLE TO REMOVE. THIS PROCESS OCCURS OVER TIME AND IS DETERMINED BY THE INSTALLATION ENVIRONMENT.**

### INSTRUCTIONS PERTAINING TO A RISK OF FIRE, OR INJURY TO PERSONS IMPORTANT SAFETY INSTRUCTIONS

#### Lighted fixture is HOT!

#### WARNING - To reduce the risk of FIRE OR INJURY TO PERSONS:

Turn off/unplug and allow to cool before replacing LED. Fixture gets HOT quickly! Contact only switch/plug when turning on. Do not touch hot lens, guard, or enclosure. Keep fixture away from materials that may burn. Do not operate the luminaire fitting with a missing or damaged shield. Do not touch the source at any time. Use a soft cloth or gloves. Oil from skin may cause damage.

**SAVE THESE INSTRUCTIONS**

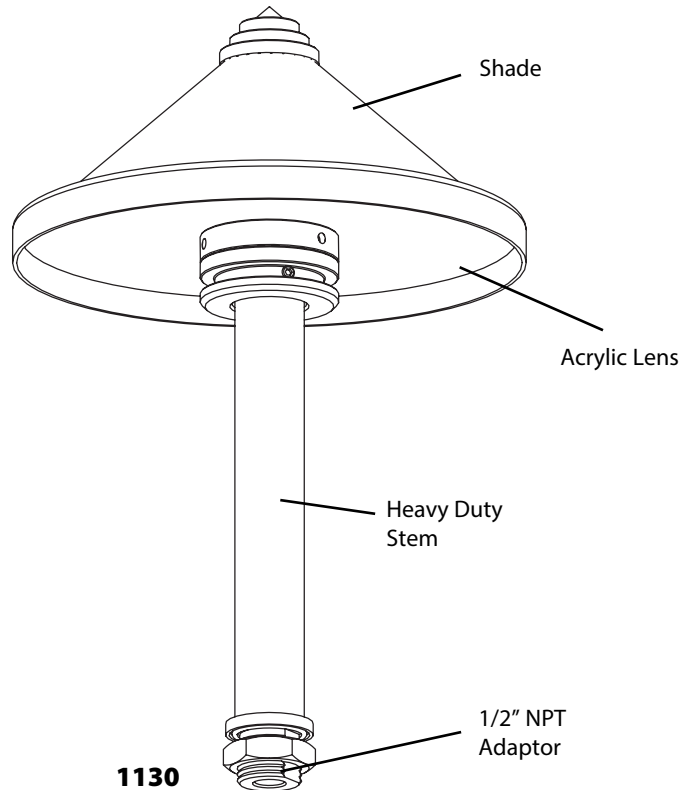
### IMPORTANT SAFETY INFORMATION - READ, FOLLOW, AND SAVE ALL SAFETY AND INSTALLATION INSTRUCTIONS

- Product must be installed by a qualified person in a manner consistent with its intended use and in compliance with the National Electrical Code, Canadian Electrical Code, and all Local and Provincial Codes.
- Follow product label information and instructions.
- Qualified Personnel with appropriate personal protective equipment must perform all servicing of this product.
- Before wiring to power supply and during servicing, turn off and lock out power at fuse or circuit breaker before service.
- The use of accessory equipment not recommended by the manufacturer or installed contrary to instructions may cause an unsafe condition. The use of damaged components may cause an unsafe condition and void product warranty.
- Do not block light emanating from product in whole or part, as this may cause an unsafe condition.
- Never operate the fixture with missing or damaged lens. Lens must be cleaned on regular basis.
- Entire fixture may become extremely hot. Do not touch hot lens or fixture body.
- Replace LED assembly only with correct wattage and type of power supply appropriate for LED assembly.
- All gaskets, o-rings and sealing surfaces must be kept clean during installation and service; failure to do this may cause an unsafe condition and void product warranty.

### IMPORTANT LISTINGS AND CERTIFICATIONS

- Suitable for wet locations

Please refer to the low voltage design guide at [www.tekaillumination.com/lvguide](http://www.tekaillumination.com/lvguide) before installation for proper wire selection.



1130

## IMPORTANT SAFETY INFORMATION - READ, FOLLOW, AND SAVE THESE INSTALLATION INSTRUCTIONS

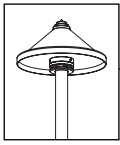
**TEKA** ILLUMINATION

40429 Brickyard Drive • Madera, CA 93636 • USA  
559.438.5800 • FAX 559.438.5900  
[www.tekaillumination.com](http://www.tekaillumination.com) • [info@tekaillumination.com](mailto:info@tekaillumination.com)

DATE  
9-19-16

REFERENCE NUMBER  
INS000957

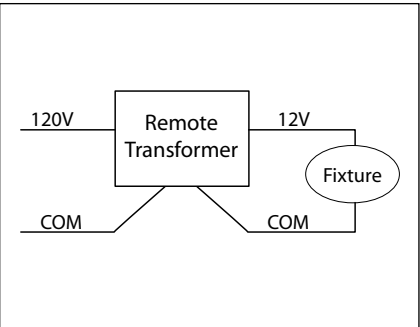
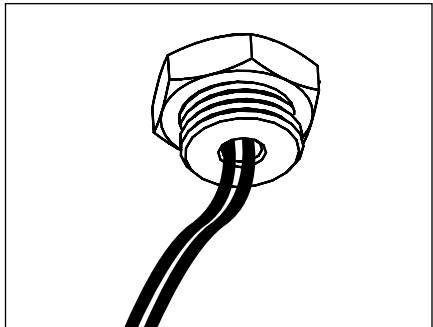
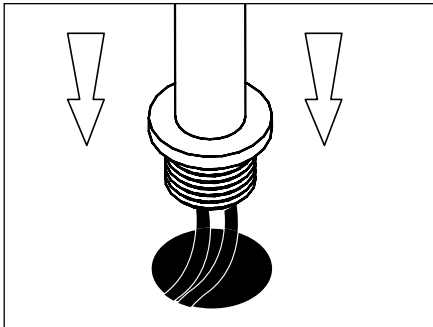
THIS DOCUMENT CONTAINS PROPRIETARY INFORMATION OF TEKA ILLUMINATION AND ITS RECEIPT OR POSSESSION DOES NOT CONVEY ANY RIGHTS TO REPRODUCE, DISCLOSE ITS CONTENTS, OR TO MANUFACTURE, USE OR SELL ANYTHING IT MAY DESCRIBE. REPRODUCTION, DISCLOSURE OR USE WITHOUT SPECIFIC WRITTEN AUTHORIZATION OF TEKA ILLUMINATION IS STRICTLY FORBIDDEN.



the power of 

# 1130™ PATH LIGHT (1130)

**! Must install to a suitable enclosure. Recommended for use with Power Pipe™, #20 Surface Mount Adaptor or Pillar Mount Canopy (PMC).**

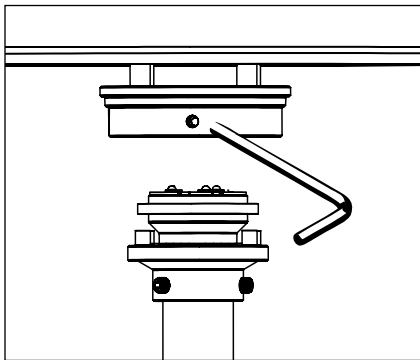
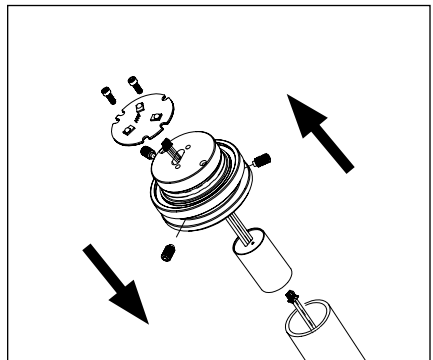
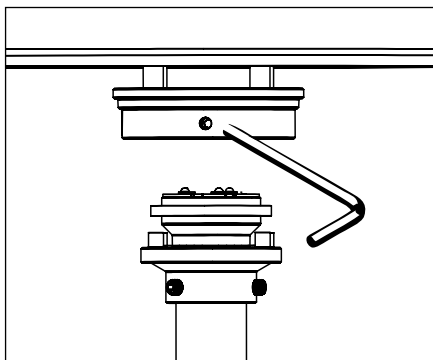


1. Mount stem onto suitable enclosure and/or mounting option according to designed lighting plan.
2. Secure stem with locknut (Provided).
3. Make watertight connections from remote magnetic transformer to fixture leads using waterproof wire connectors (By Others). See wiring diagram.

**! Recommended for use with Power Pipe™, #20 Surface Mount Adaptor or Pillar Mount Canopy (PMC).**

**WIRING DIAGRAM**  
**! LED - For use with 12VAC BKSSL remote transformer or magnetic transformers only. TEKA Illumination cannot guarantee performance with third party manufacturers' transformers.**

## To Replace Components



1. Loosen three (3) #8-32 set screws on shade assembly using a 9/64" Allen wrench and remove.
2. Loosen three (3) #8-32 set screws with 9/64" Allen wrench on heat sink to remove LED board and driver assembly.
3. Use 5/64" Allen wrench to remove two (2) #2-56 socket head cap screws on LED board, grasp LED board and gently pull up to expose quick disconnect.
4. Disengage LED board and driver assembly. Replace with new board and driver assembly.
5. Replace shade. Tighten three (3) #8-32 set screws on shade assembly using a 9/64" Allen wrench.

**IMPORTANT SAFETY INFORMATION LISTED ON REVERSE READ, FOLLOW, AND SAVE ALL SAFETY AND INSTALLATION INSTRUCTIONS**

