



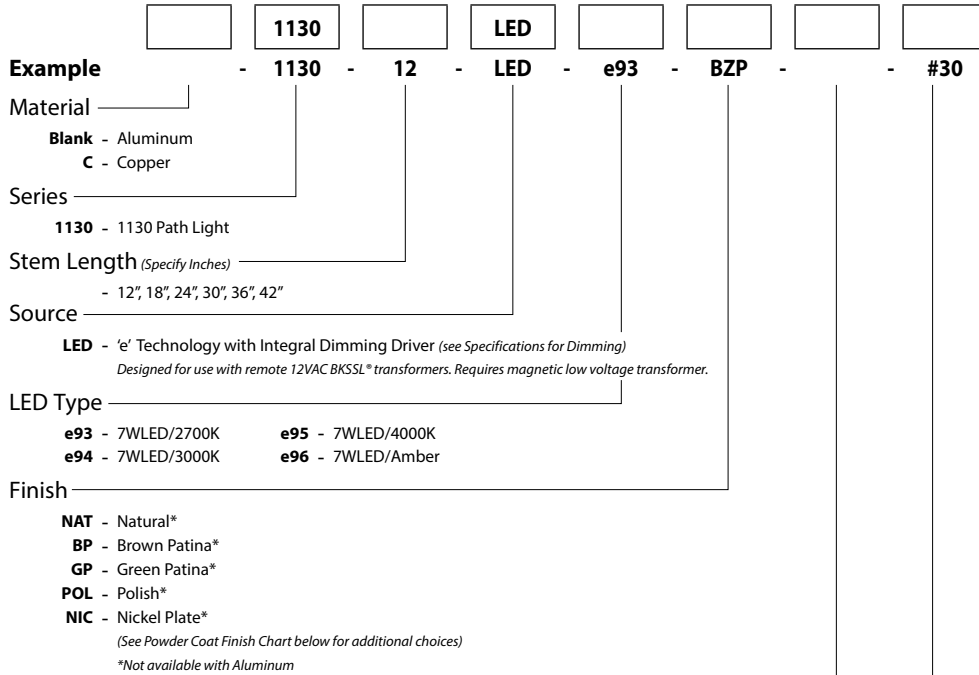
BKSSL
BASIC KITCHEN LIGHTING

the power of

1130™ PATH LIGHT (1130)

PROJECT:	
TYPE:	
CATALOG NUMBER:	1130 LED
SOURCE:	
NOTES:	

CATALOG NUMBER LOGIC



Powder Coat Standard Finish

Powder Coat Color	Satin	Wrinkle
Bronze	BZP	BZW
Black	BLP	BLW
White (Gloss)	WHP	WHW
Aluminum	SAP	—
Verde	—	VER

Powder Coat Premium Finish

ABP Antique Brass Powder	CMG Cascade Mountain Granite	RMG Rocky Mountain Granite
AMG Aleutian Mountain Granite	CRI Cracked Ice	SDS Sonoran Desert Sandstone
AQW Antique White	CRM Cream	SMG Sierra Mountain Granite
BCM Black Chrome	HUG Hunter Green	TXF Textured Forest
BGE Beige	MDS Mojave Desert Sandstone	WCP Weathered Copper
BPP Brown Patina Powder	NBP Natural Brass Powder	WIR Weathered Iron
CAP Clear Anodized Powder	OCP Old Copper	<i>Also available in RAL Finishes See submittal SUB-1439-00</i>

Option ————
CLR - Clear Coat Protection (For Copper fixtures only.)

Mounting ————

#30 - #30 Clamp On Blades
 (Additional 1ft. stem
 and 5' of 18/2 wire included.
 For Copper fixture only.)

PP18B - Power Pipe B Cap
 (18" Power Pipe.)

PP-TRE20 - Power Pipe T Housing
 (Tre20 with 18" Power Pipe)

SF - Stability Flange
 (For use with Power Pipe)

DRIVER DATA	Input Volts	InRush Current	Operating Current	Operation Ambient Temperature	Dimmer type
	12VAC/DC 50/60Hz	<250mA (non-dimmed)	500mA	-22°F - 194°F (-30°C - 90°C)	Magnetic Low Voltage

LM79 DATA

TEKA LED #	DELIVERED LUMENS	CCT	INPUT WATTS (Typ.)	CRI (Typ.)
e93	188	2700	7	80
e94	188	3000	7	80
e95	199	4000	7	80
e96	-	Amber (590nm)	7	-


L70 DATA

Minimum Rated Life (hrs.) - 70% of initial lumens (L70)
50,000
50,000
50,000
50,000

TEKA ILLUMINATION	40429 Brickyard Drive • Madera, CA 93636 • USA 559.438.5800 • FAX 559.438.5900 www.tekaillumination.com • info@tekaillumination.com	SUBMITTAL DATE	DRAWING NUMBER
		07-23-2018	SUB-2519-00

THIS DOCUMENT CONTAINS PROPRIETARY INFORMATION OF TEKA ILLUMINATION AND ITS RECEIPT OR POSSESSION DOES NOT CONVEY ANY RIGHTS TO REPRODUCE, DISCLOSE ITS CONTENTS, OR TO MANUFACTURE, USE OR SELL ANYTHING IT MAY DESCRIBE. REPRODUCTION, DISCLOSURE OR USE WITHOUT SPECIFIC WRITTEN AUTHORIZATION OF TEKA ILLUMINATION IS STRICTLY FORBIDDEN.

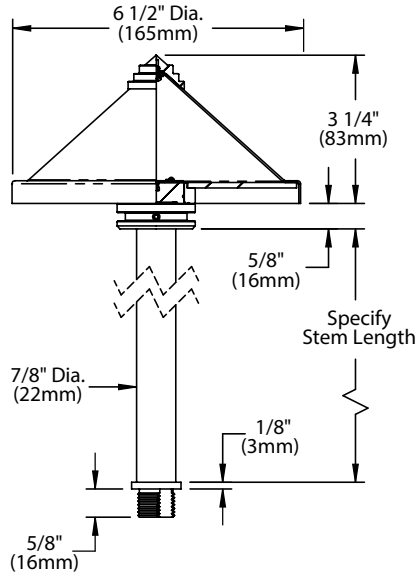


the power of 

1130™ PATH LIGHT (1130)

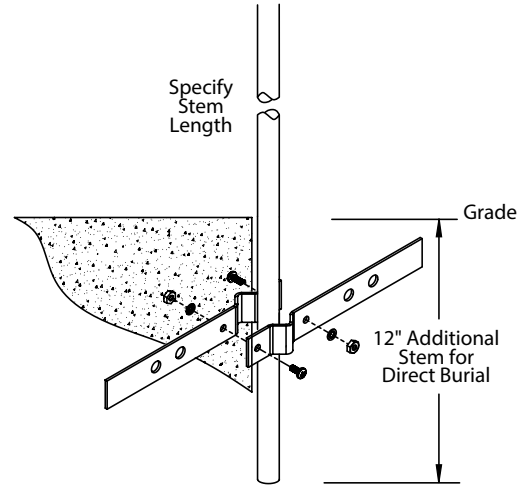
PROJECT:	
TYPE:	

SIDE VIEW

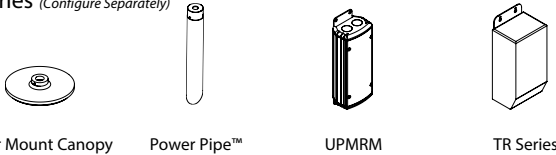


#30 CLAMP ON BLADES (Optional)

Available with Copper Fixture Only



Accessories (Configure Separately)



All dimensions indicated on this submittal are nominal. Contact Technical Sales if you require more stringent specifications.

SPECIFICATIONS

GreenSource Initiative™

Metal and packaging components are made from recycled materials. Manufactured using renewable solar energy, produced onsite. Returnable to manufacturer at end of life to ensure cradle-to-cradle handling. Packaging contains no chlorofluorocarbons (CFC's). Use of this product may qualify for GreenSource efficacy and recycling rebate(s). Consult www.tekaillumination.com/greensource for program requirements.

Materials

Copper: Constructed from copper and brass. These enduring metals are inherently corrosion resistant.

Aluminum: Constructed from Copper-Free aluminum (Type 6061-T6)

Shade

Hand spun from high purity, solid copper or aluminum plate. High temperature, silicone 'O' Ring provides water tight seal.

Lens

Injection molded 6 1/4" clear acrylic lens is factory adhered to shade and provides sealed optical compartment.

Stem

Machined from heavy wall 7/8" O.D. copper or aluminum.

BKSSL®

Integrated solid state system with 'e' technology is scalable for field upgrade. Modular design with electrical quick disconnects permit field maintenance. High power, forward throw source complies with ANSI C78.377 binning requirements. Exceeds ENERGY STAR® lumen maintenance requirements. LM-80 certified components.

Integral dimming driver. Up to 50,000 hour rated life at 70% of initial lumens (L70). BKSSL technology provides long life, significant energy reduction and exceptional thermal management.

Installation

Available for installation in three distinct mounting conditions:

#30 Clamp on Blades include an additional 12" stem for direct burial and leads extending 60" from fixture to facilitate live splice in suitable enclosure. Available with Copper Fixture only.

Power Pipe™

Provides a clean transition from wiring system to fixture. Schedule 80, 18" PVC housing for direct burial into soil or concrete. Machined 2-1/4" dia. cap for fixture mounting. Stainless steel hardware. Optional 6" diameter, molded stability flange, which simplifies installation and projects into substrate to reinforce housing stability. For use with 12VAC remote BKSSL transformer or magnetic transformers only. TEKA Illumination cannot guarantee performance with third party manufacturers' transformers.

Power Pipe™ with Transformer Housing (Optional)

Additionally features integral transformer housing fully machined from copper-free aluminum. High temperature, silicone 'O' Ring provides water-tight seal. Integral, TRe20 electronic transformer. 105-300VAC primary voltage. 50/60Hz. Non Dimming. 20VA maximum load.

Transformer

For use with 12VAC BKSSL remote transformer or magnetic transformers only. B-K Lighting cannot guarantee performance with third party manufacturers' transformers.

Wiring

Black, 18/2 coated wire. 150V 60° C rated and certified to UL 1659 standard. Leads extend 6" from fixture to facilitate live splice in suitable enclosure.

Hardware

Tamper resistant, stainless steel hardware.

Finish

Copper: Natural (NAT): Copper and brass components are sand blasted to expose the porous metal surface. Over time, and with exposure to the elements, the metals will naturally 'weather' resulting in a unique patina.

Also available with hand-crafted metal finishes including brown patina (BP), green patina (GP), polish (POL), and nickel plate (NIC).

Copper and brass components are also available in powder coat finishes.

Optional ceramic clear coat protection (copper and brass components only) seals and protects underlying metals and protects against discoloration, fading, and wear. Highly impervious to chemicals, solvents, and graffiti. For use with natural (NAT) and polish (POL) finishes.

Aluminum: StarGuard®, our exclusive RoHS compliant, 15 stage chromate-free process cleans and conversion coats aluminum components prior to application of Class 'A' TGIC polyester powder coating.

Warranty

5 year limited warranty.

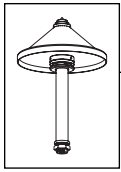
Listings

UL Listed. Certified to CAN/CSA/ANSI Standards. RoHS compliant. Suitable for indoor or outdoor use. Suitable for use in wet locations. Additionally suitable for installation within 4' of the ground. IP65 Rated. Made in USA.



* Energy Star is a registered trademark of the United States Environmental Protection Agency.

TEKA ILLUMINATION	40429 Brickyard Drive • Madera, CA 93636 • USA 559.438.5800 • FAX 559.438.5900 www.tekaillumination.com • info@tekaillumination.com	SUBMITTAL DATE	DRAWING NUMBER
		07-23-2018	SUB-2519-00



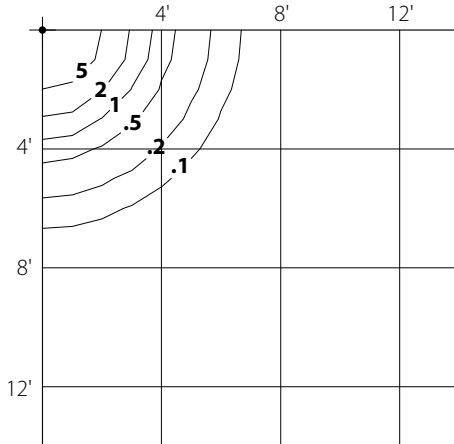
the power of 

1130™ PATH LIGHT (1130)

HORIZONTAL FOOTCANDLES

1130- LED - e95 (7W) - 4000K

Mounting Height = 2.00 Ft

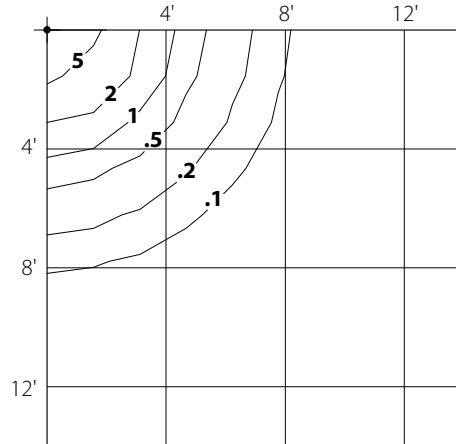


HORIZONTAL FOOTCANDLES

Light Loss Factor = 1.00
 Luminaire Lumens = 231
 Maximum Calculated Value = 21.93 Fc
 2.7K Multiplier = .94
 3K Multiplier = .94
 BUG Rating = B0 U1 G0

1130- LED - e95 (7W) - 4000K

Mounting Height = 3.00 Ft

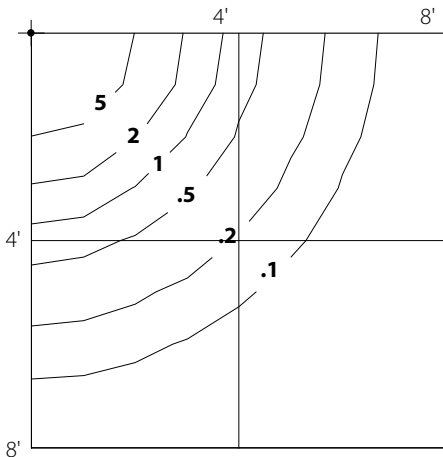


HORIZONTAL FOOTCANDLES

Light Loss Factor = 1.00
 Luminaire Lumens = 231
 Maximum Calculated Value = 9.74 Fc
 2.7K Multiplier = .94
 3K Multiplier = .94
 BUG Rating = B0 U1 G0

1130- LED - e95 (7W) - 4000K

Mounting Height = 2.00 Ft

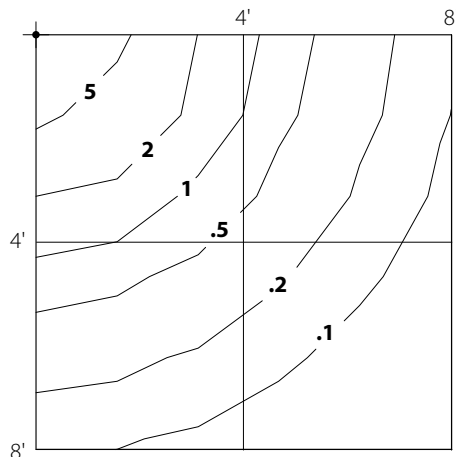


HORIZONTAL FOOTCANDLES

Light Loss Factor = 1.00
 Luminaire Lumens = 231
 Maximum Calculated Value = 21.93 Fc
 2.7K Multiplier = .94
 3K Multiplier = .94
 BUG Rating = B0 U1 G0

1130- LED - e95 (7W) - 4000K

Mounting Height = 3.00 Ft



HORIZONTAL FOOTCANDLES

Light Loss Factor = 1.00
 Luminaire Lumens = 231
 Maximum Calculated Value = 9.74 Fc
 2.7K Multiplier = .94
 3K Multiplier = .94
 BUG Rating = B0 U1 G0