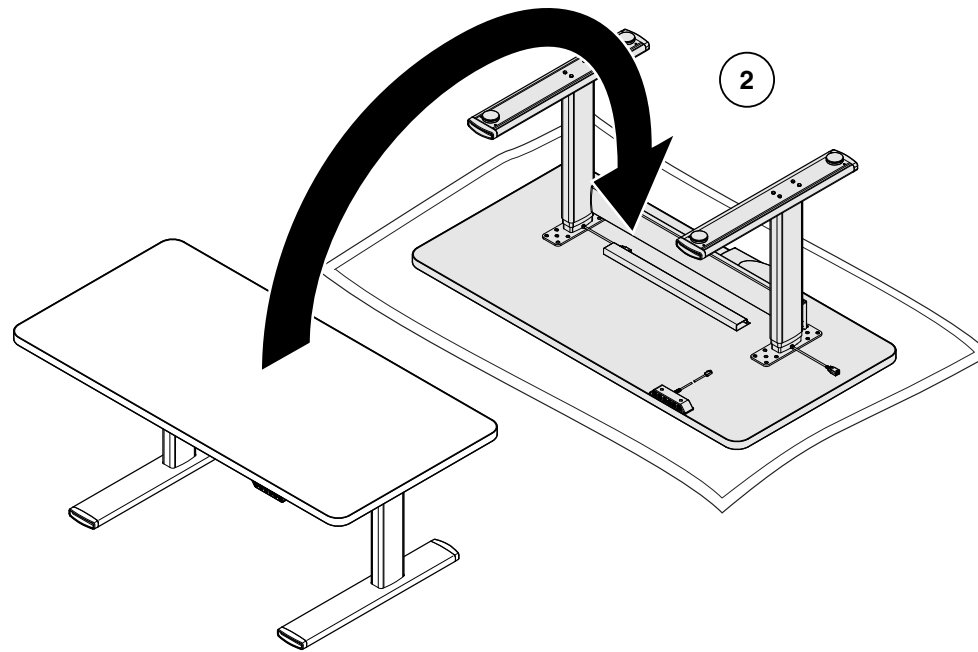


**1** Prepare a clear, open space in which to work.

- Sweep the floor! Screws and small parts can damage the worksurface.
- Put down a CLEAN shipping blanket to protect the worksurface.



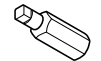
**2** Remove all objects from top of table, then carefully turn it over with the top down.



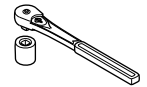
**Tools required:**



Power Drill



#2 Square Drive



Ratchet with  
10mm Socket

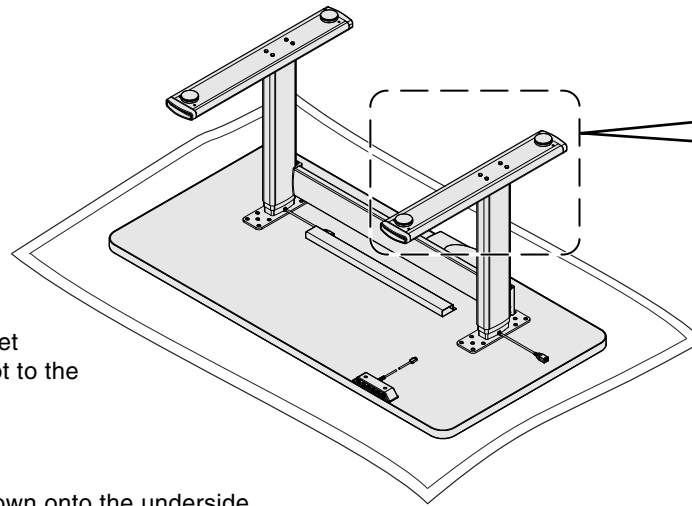
If you have a problem, question, or request, call your local dealer, or Steelcase Line 1 at **888.STEELCASE** (888.783.3522) for immediate action by people who want to help you.

(Outside the U.S.A., Canada, Mexico, Puerto Rico, and the U.S. Virgin Islands, call: 1.616.247.2500)

Or visit our website: [www.steelcase.com](http://www.steelcase.com)

© 2015 Steelcase Inc.  
Grand Rapids, MI 49501  
U.S.A.

Printed in U.S.A.



**3** For each table leg, use a 10 mm socket to remove the (4) bolts holding the foot to the lifting column

**4** Place one Reinforcement Plate as shown onto the underside of the foot, then reinstall with the (4) bolts.

**5** Install the provided self-drilling screws into all remaining empty holes in the plate.

**6** Carefully turn the table back over into upright position.

