

### Table of Contents

Topic	Page
Back and Seat Replacement	2
Mini Dash Light Replacement	6
Power Block Replacement	7
Angled Leg Replacement	8
Straight Leg Replacement	8
Glide Adjustment	9
Personal Worksurface Replacement	10
Personal Work Surface Replacement/Covers	11
Side Surface Removal	12
Non – Personal Worksurface Bracket Replacement	13
Privacy Screen Replacement	16
Top Trim Replacement	22
Extension Wall Replacement	24
Footrest Repair/Replacement	29

If you have a problem, question, or request, call your local dealer, or Steelcase Line 1 at **888.STEELCASE** (888.783.3522) for immediate action by people who want to help you.

(Outside the U.S.A., Canada, Mexico, Puerto Rico, and the U.S. Virgin Islands, call: 1.616.247.2500) Or visit our website: [www.steelcase.com](http://www.steelcase.com)

© 2015 Steelcase Inc.  
Grand Rapids, MI 49501  
U.S.A.

Printed in U.S.A.

English - Pages 1 to 29 of 87  
French - Pages 30 to 58 of 87  
Spanish - Pages 59 to 87 of 87  
1025192001 Rev C

## Back and Seat Replacement

**1.** Using a narrow pry bar or glazing bar, gently slide the pry bar between the top cap and the lower wall, being careful not to damage the upholstery.

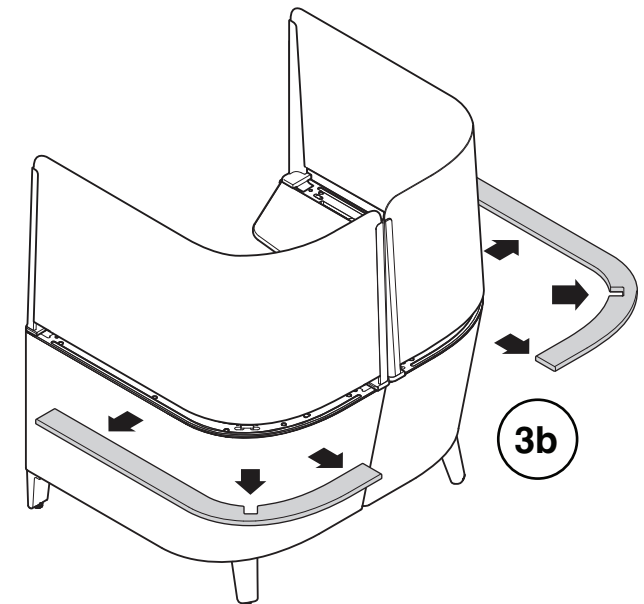
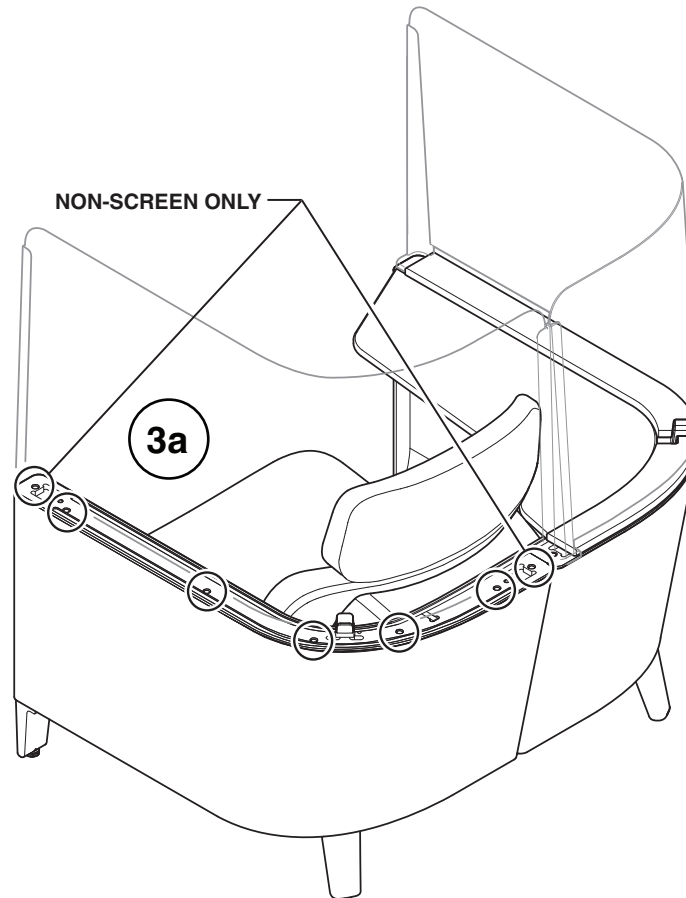
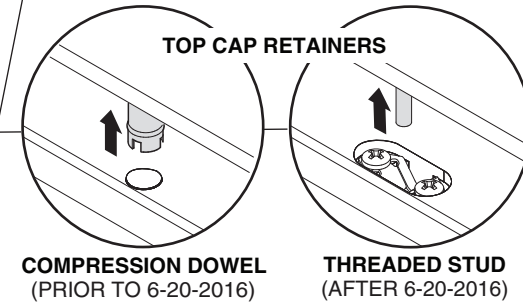
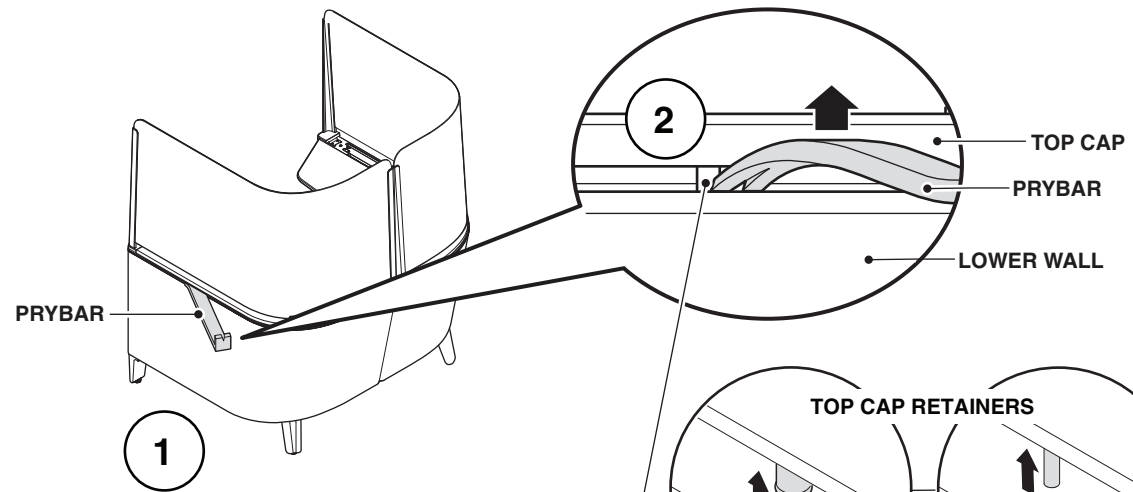
**DO NOT ATTEMPT TO PRY MORE THAN 1 INCH FROM ANY TOP CAP RETAINER AS THIS WILL RESULT IN DAMAGE TO THE TOP CAP.**

**2.** Search for locations of top cap retainers. Gently pry the top cap upward at the location of each retainer.

**NOTE:** Screen versions only have 5 top cap retainers while non-screened units have 7 on each top cap.

**NOTE:** Top cap retainers may be one of two types shown. Removal of top cap with prybar applies to both types of retainers.

**3.** Work around each top cap until all of the retainers have been disengaged (3a). Remove top caps (3b).



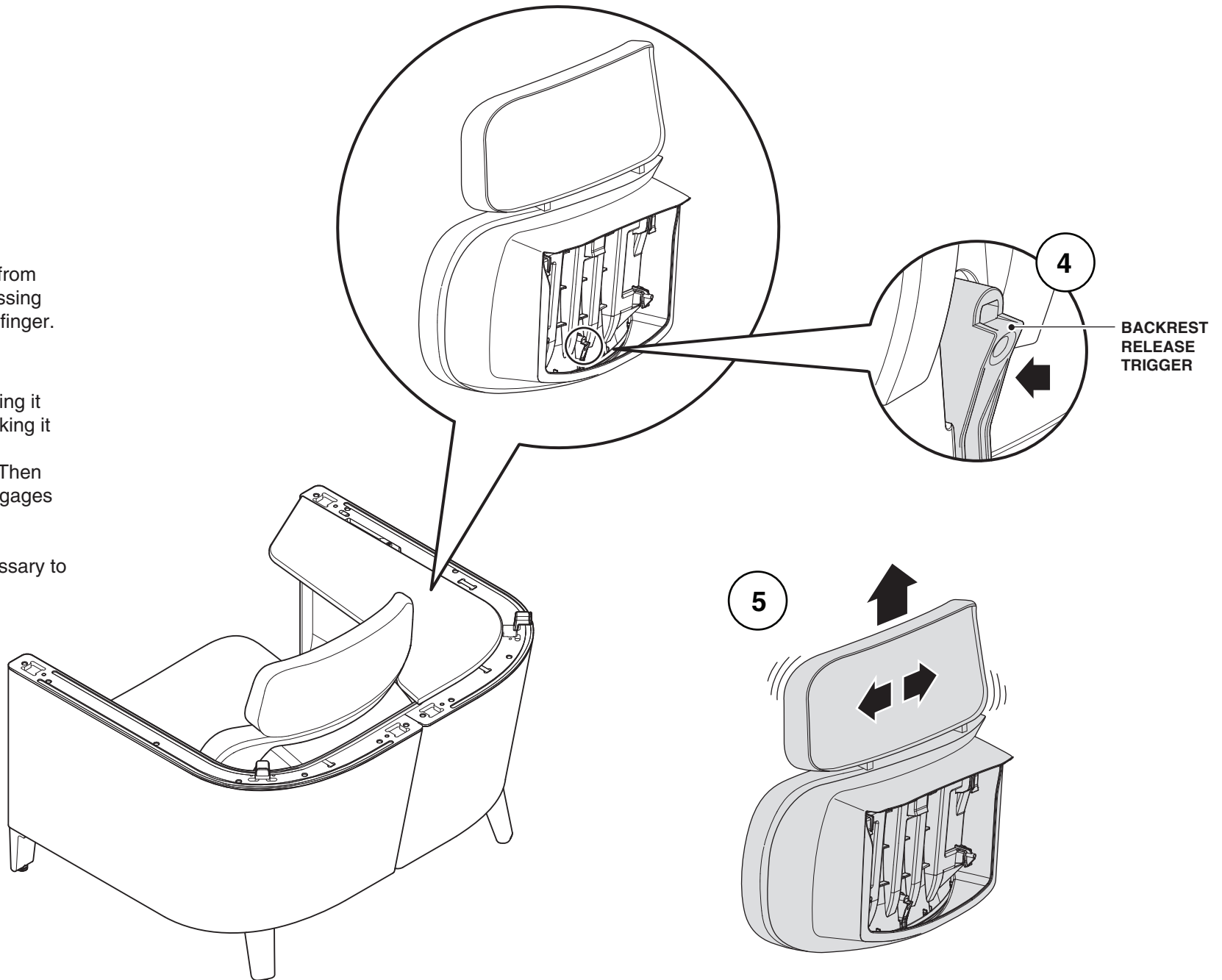


## Back and Seat Replacement (continued)

**4.** Disengage backrest from mounting panel by depressing the release trigger with a finger.

**5.** Gently slide backrest vertically upward by shaking it from side to side and working it up until it has moved approximately 2 inches. Then pull backrest until it disengages the plywood tabs.

**NOTE:** No prying is necessary to remove this backrest.



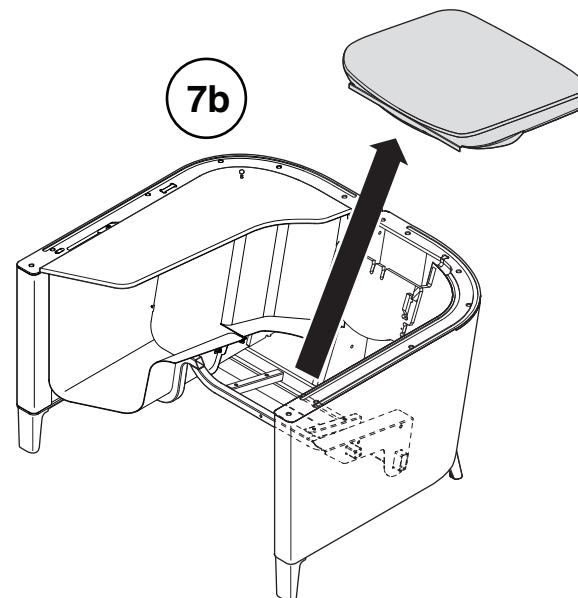
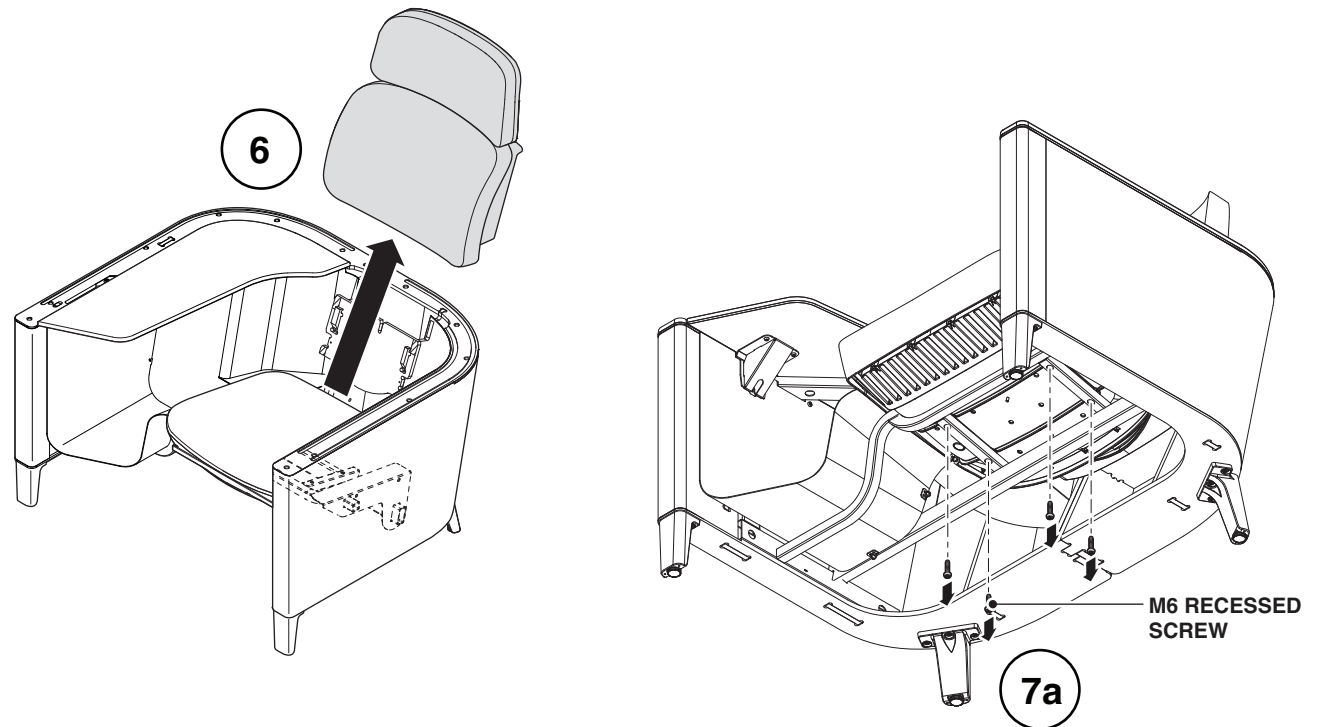
## Back and Seat Replacement (continued)

**6.** Lift backrest up and put aside.

**7.** Using a 6mm allen wrench, unscrew the four (4) M6 recessed screws from beneath the seat pan (7a) and remove the upholstered seat (7b).

**NOTE:** These screws are located inside of the holes in the steel frame.

**8.** Replace new seat by reversing steps 5 thru 7.



## Back and Seat Replacement (continued)

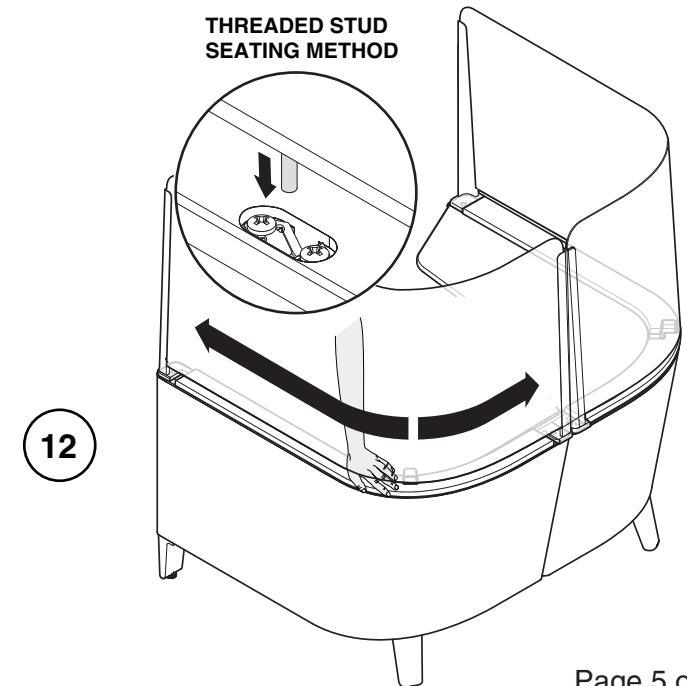
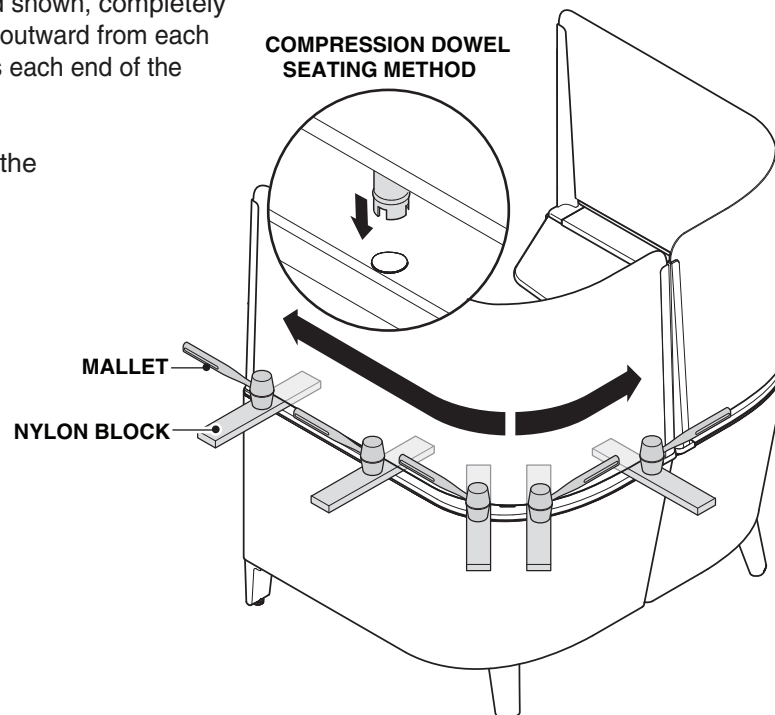
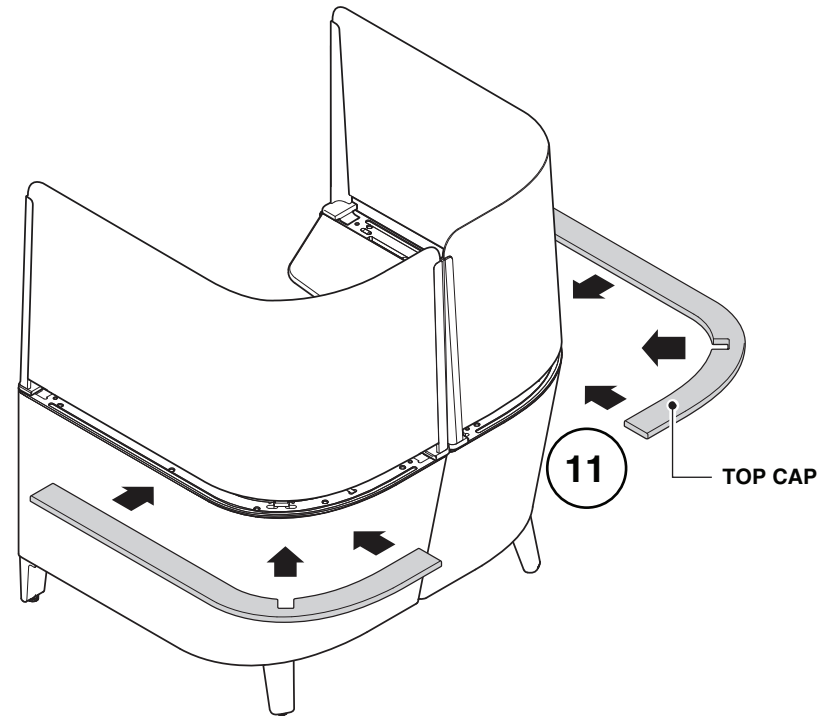
**NOTE:** To avoid damaging product, identify type of top cap retainer in use and refer to appropriate top cap retainer seating method shown.

**11.** Place top caps between screen and base unit. Locate compression dowel or threaded stud top cap retainers over holes or clips in base unit. Lightly press down to initially engage all retainers into the base unit.

**NOTE:** Whether seating top cap with nylon block and mallet, or by hand, always apply seating force with caution, directly over each top cap retainer.

**12.** Applying appropriate method shown, completely seat top caps by working your way outward from each side of the third leg bracket towards each end of the top cap.

You are complete once you level the glides, inspect & clean the unit!



## Mini Dash Light Replacment

**1.** Place Brody chair onto a clean, scratch resistant furniture pad, so you can gain access to the bottom of the worksurface.

**2.** Unplug cord from power.

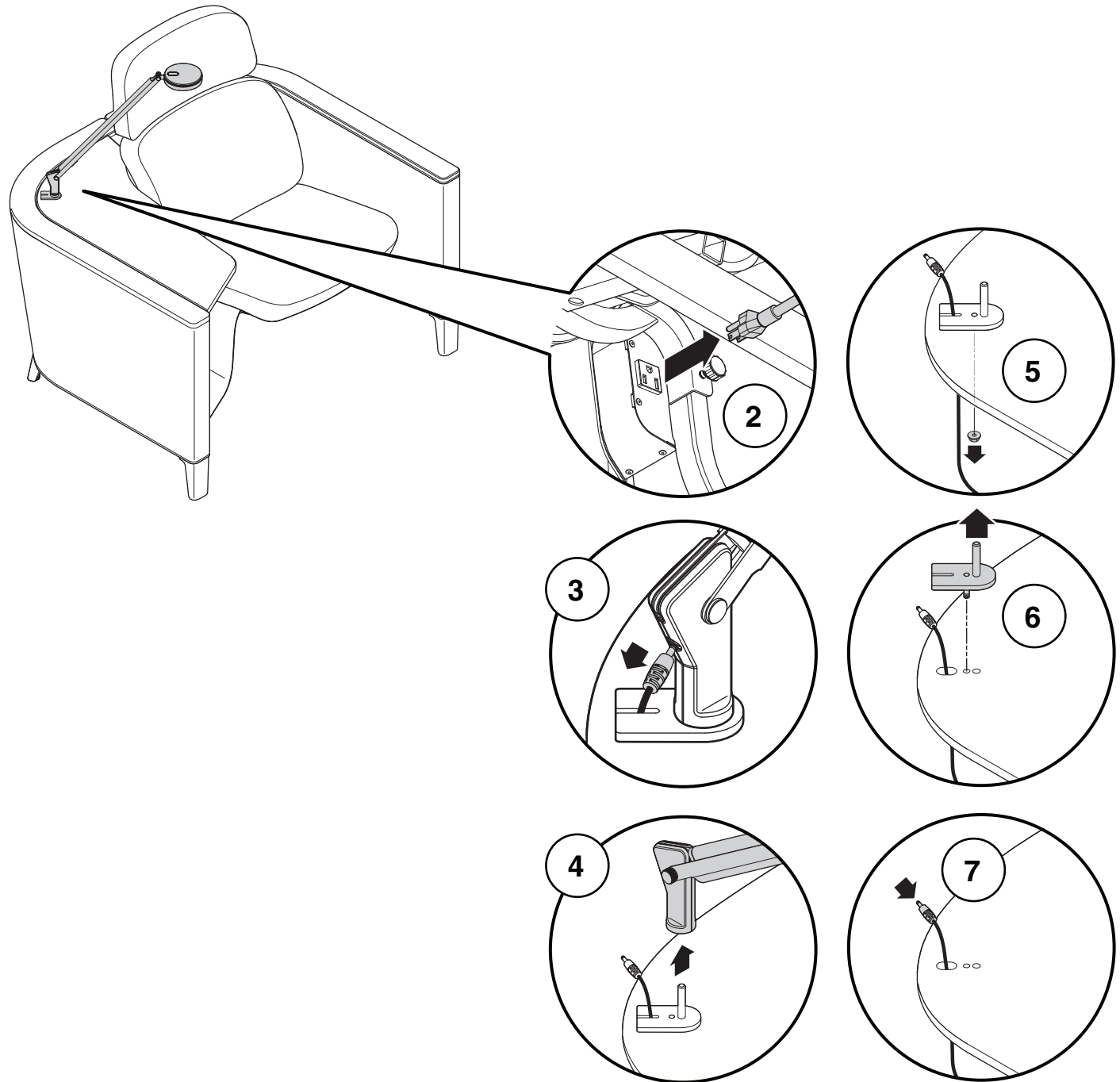
**3.** Remove round end of power cord from mini dash light.

**4.** Remove mini dash light from light bracket pin.

**5.** Remove nut from bottom of worksurface with 8mm socket wrench.

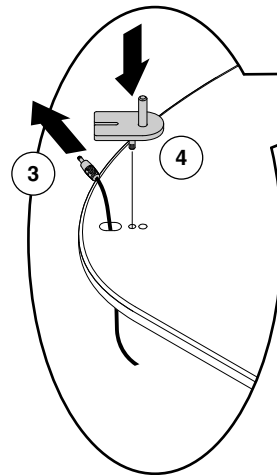
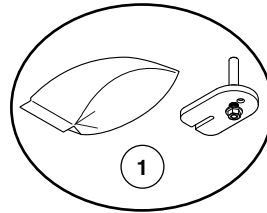
**6.** Remove light bracket from hole on worksurface.

**7.** Remove round end of power cord by pulling through slot in worksurface.

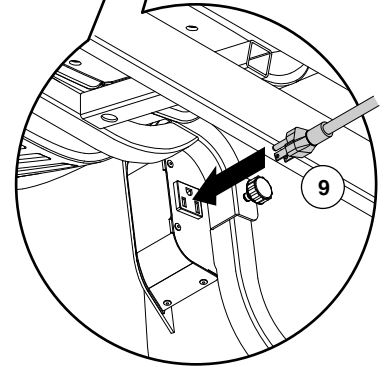
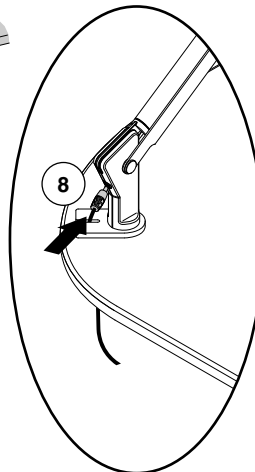
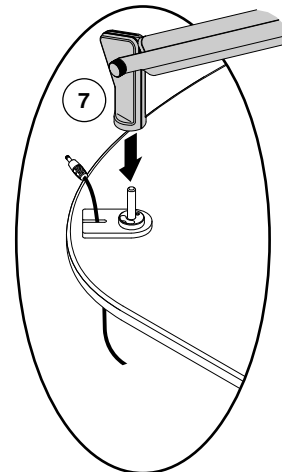
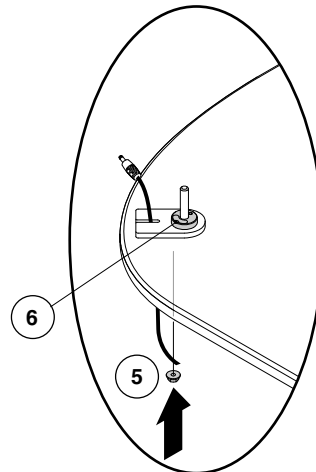


## Install dash mini Light onto a Brody Chair

1. Remove all contents from box including the light bracket with nut and hardware bag.
2. Place Brody chair onto a clean, scratch resistant furniture pad, so you can gain access to the bottom of the worksurface.
3. Pull round end of power cord through slot in worksurface.
4. Insert light bracket through hole on worksurface.
5. Tighten nut from bottom of worksurface with 8mm socket wrench.
6. Slide the anti-rotation disc onto light bracket post using the alignment tab to seat fully down on the light bracket.
7. Install the mini dash light onto the light bracket pin making sure that screw at the bottom of the light arm is inserted into the pocket of the anti-rotation disc.
8. Install round end of power cord into dash mini light.
9. Use outlet on back of power unit for dash mini light power cord.

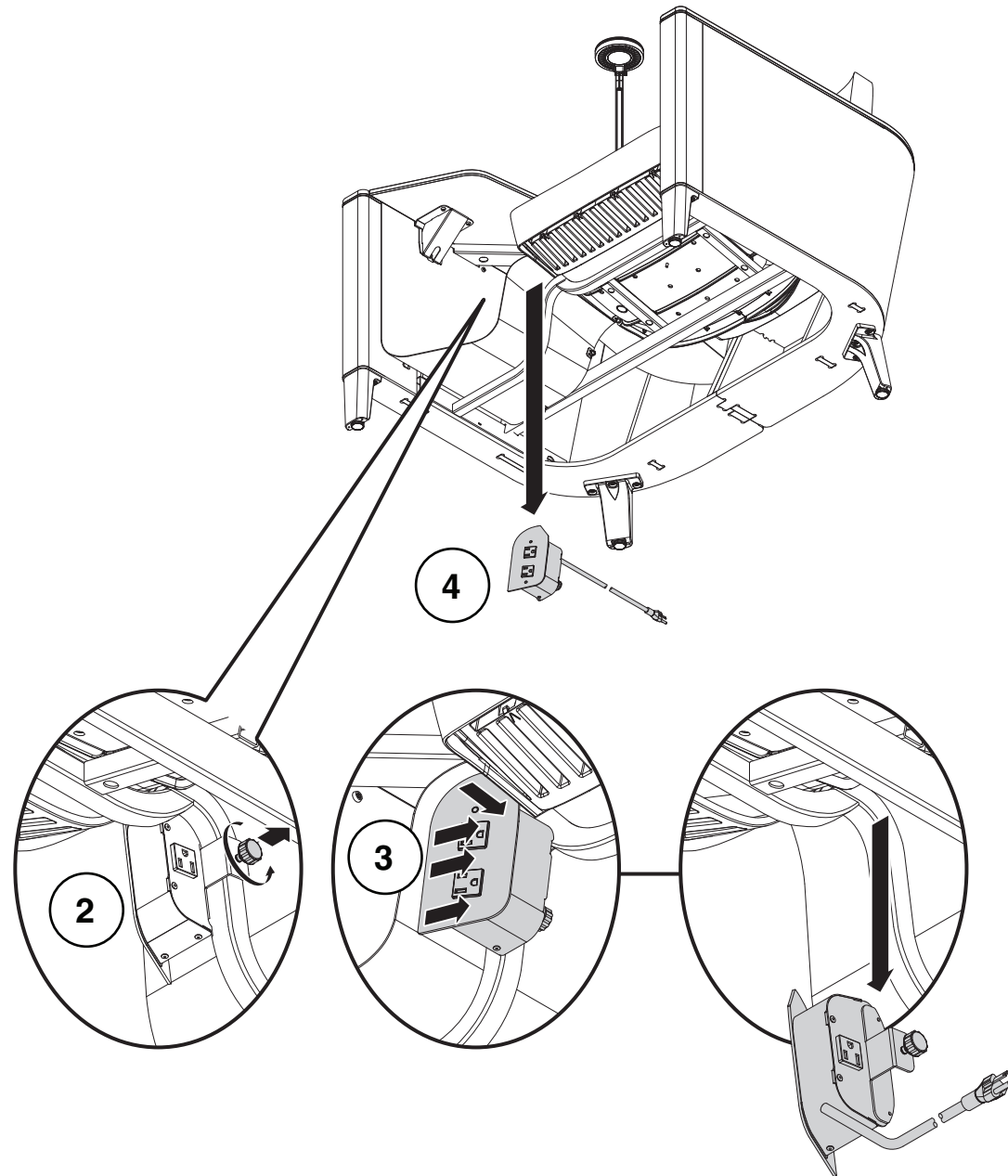


**Tip: Make sure the set screw aligns with rotational pocket.**



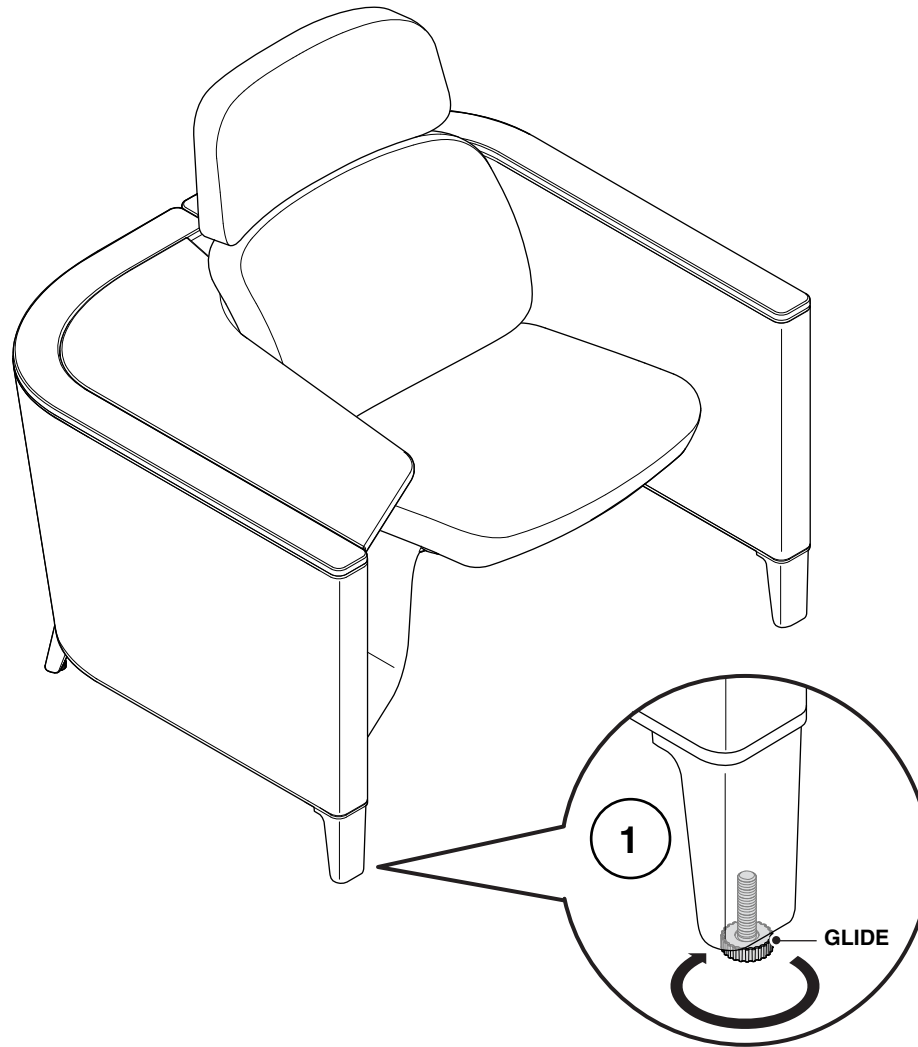
## Power Block Replacement

1. Unplug mini dash light cord from outlet.
2. Loosen knob on back of power block onto frame of Brody chair.
3. Remove power block from c-clamp.
4. Remove power block.
5. Remove any zip ties that are holding excess cord to the frame of the Brody chair.
6. Reverse steps 1 thru 5 to install replacement power block.



## Glide Adjustment

- 1.** With glides turned fully clockwise into the feet, gently rock the chair and look and listen for movement.
- 2.** If movement exists, laying on the floor, find the glide that shows a gap between the floor and the unit in the free state.
- 3.** Turn this glide counter clockwise until gap is closed and unit is stable.





## Personal Worksurface Replacement

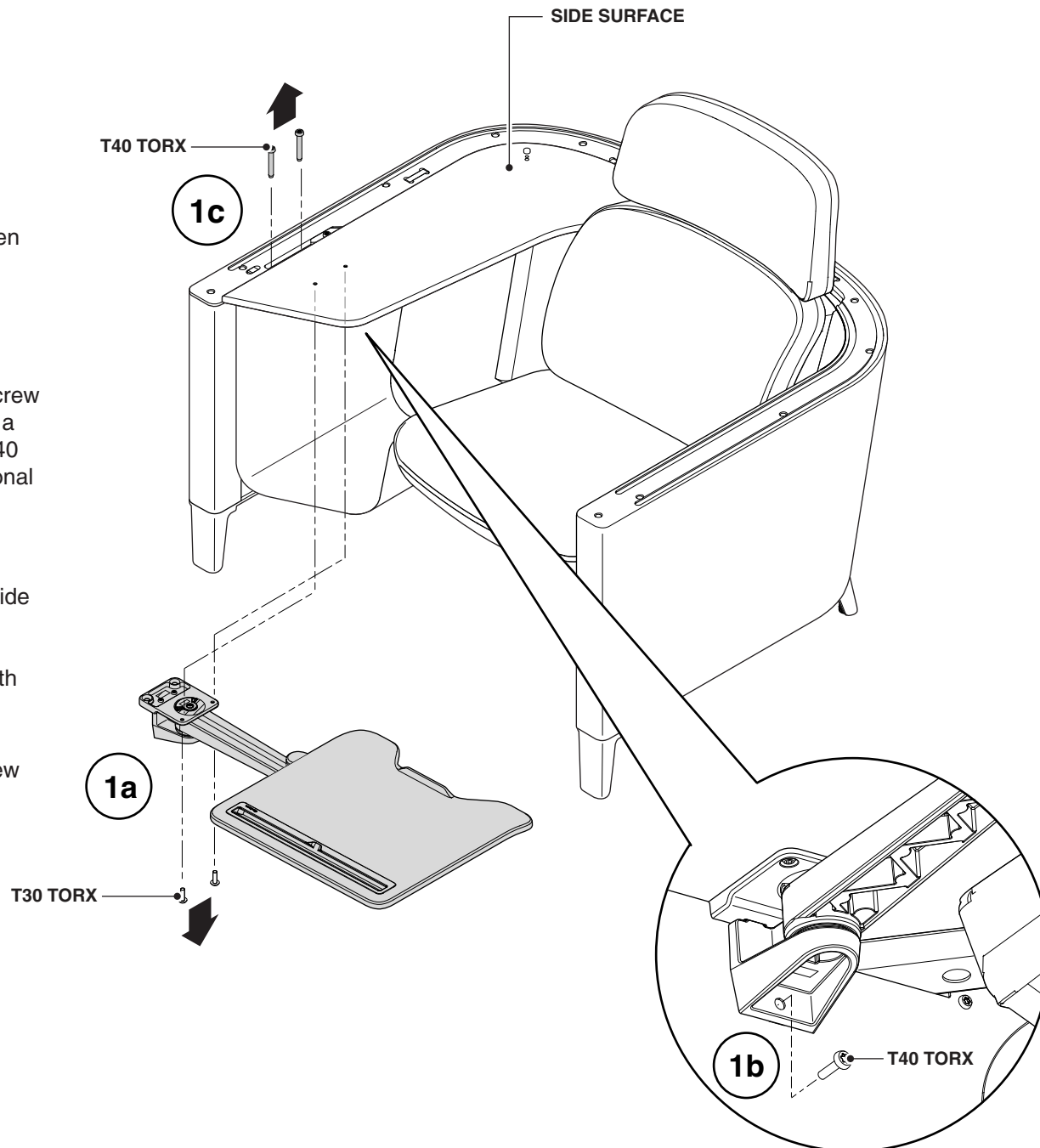
**NOTE:** This assembly assumes any screens and top caps have already been removed.

**1.** Using a T30 torx bit, remove (2) screws (T30 TORX) underneath (1a). Using a T40 torx bit, remove one (1) screw (T40 TORX) from the side (1b). Using a T40 torx bit, remove two (2) screws (T40 TORX) on top and to remove the personal worksurface (1c).

**2.** Carefully slide the personal worksurface out from underneath the side surface.

**NOTE:** Do not load the side surface with the personal work surface removed.

**3.** Reverse steps 1 and 2 to install new personal worksurface.



## Personal Work Surface Replacement with Covers

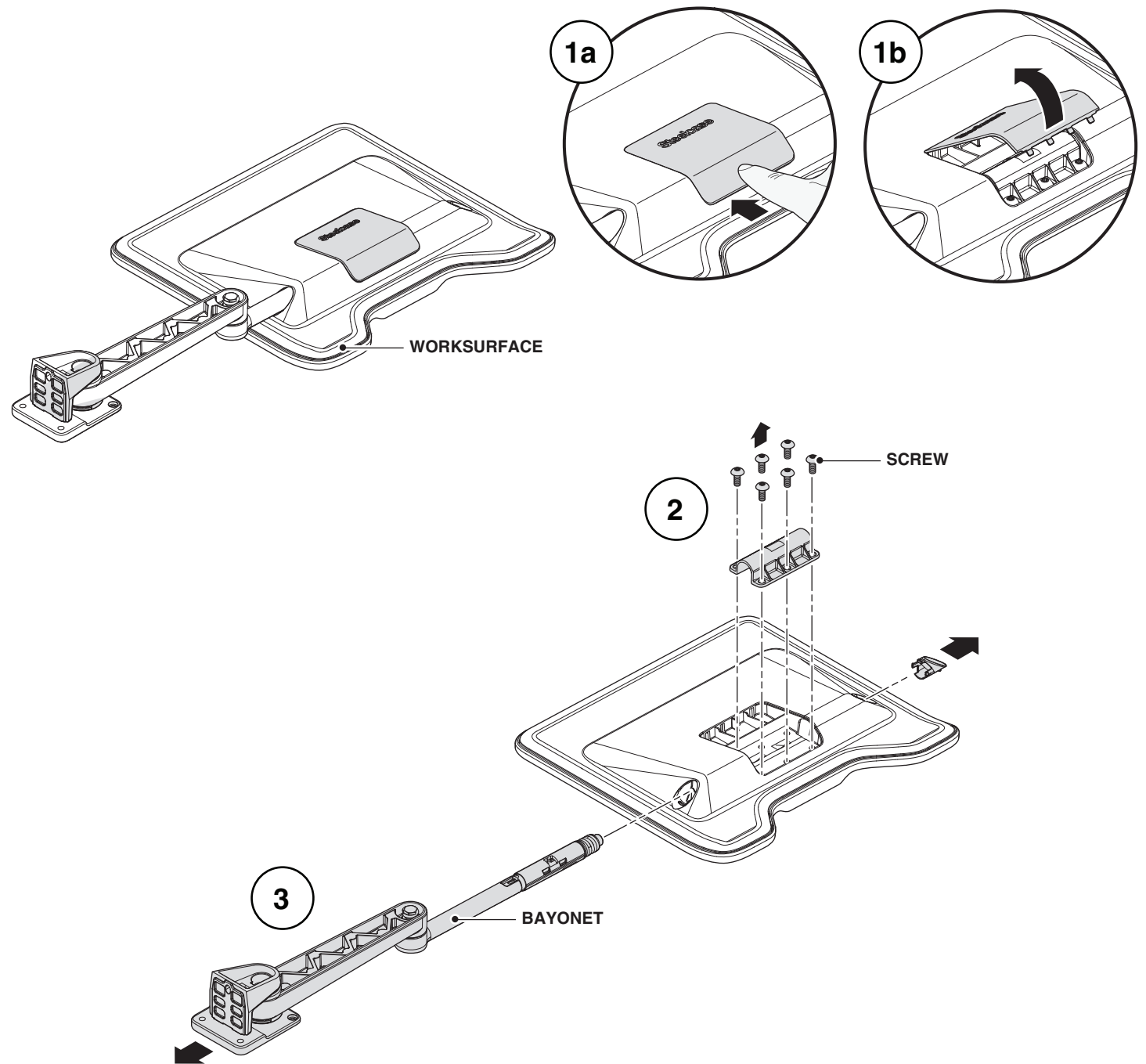
**1.** Press inward on bottom edge of screw cover to disengage hooks (1a) and rotate outward to remove (1b).

**2.** Using a T40 torx bit, remove the six screws that retain the personal work surface.

**3.** Slide the arm bayonet out from the personal worksurface.

**4.** Reverse steps 1 thru 3 to install new personal worksurface.

**NOTE:** None of the latch pins should not be exposed once cover is installed.



## Side Surface Replacement

**1.** Using a 4mm allen wrench, loosen the four (4) M6 bolts that attach the side surface to the frame and personal worksurface.

**2.** Pull the side surface towards the front of the unit approximately three quarters of an inch to disengage the z-bracket from the wooden wall.

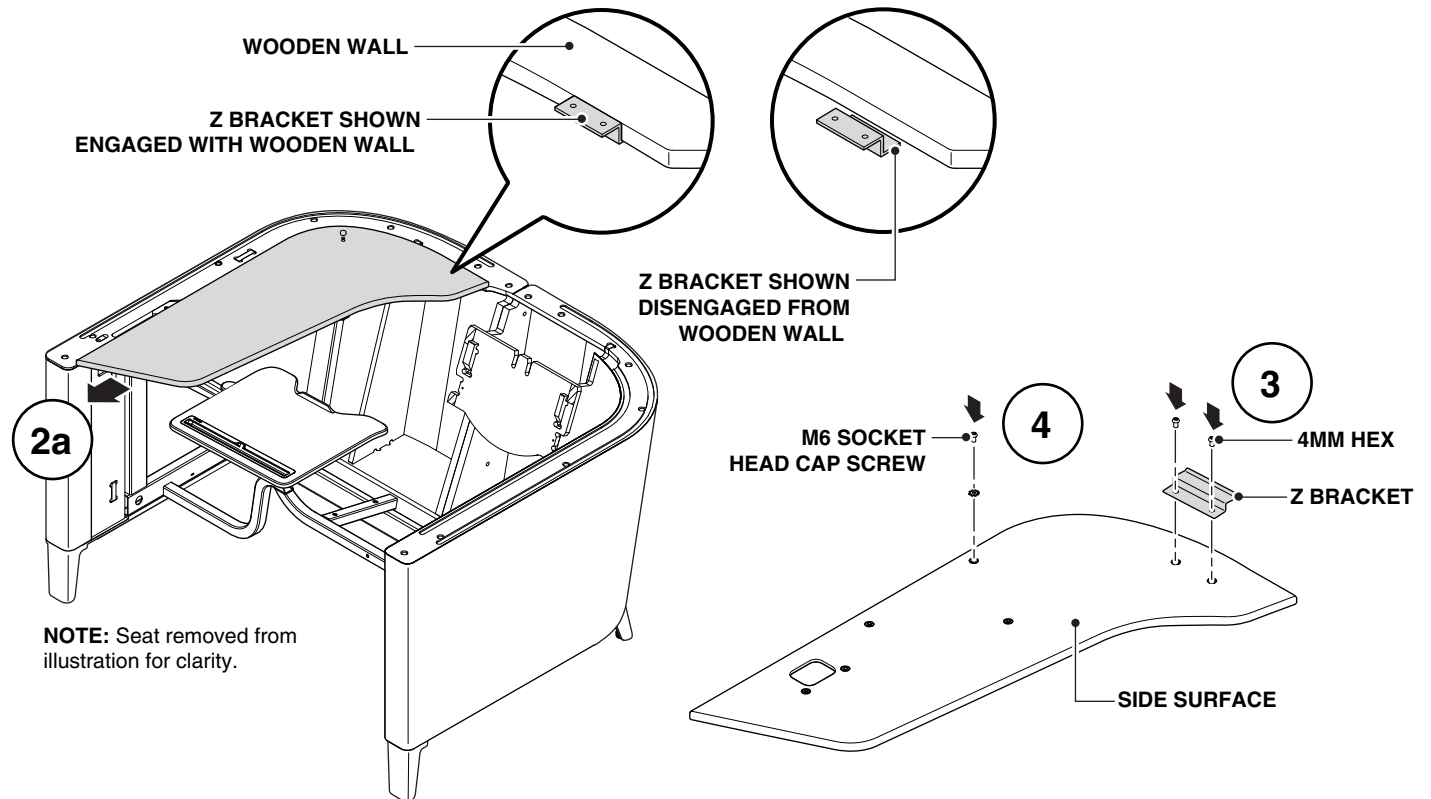
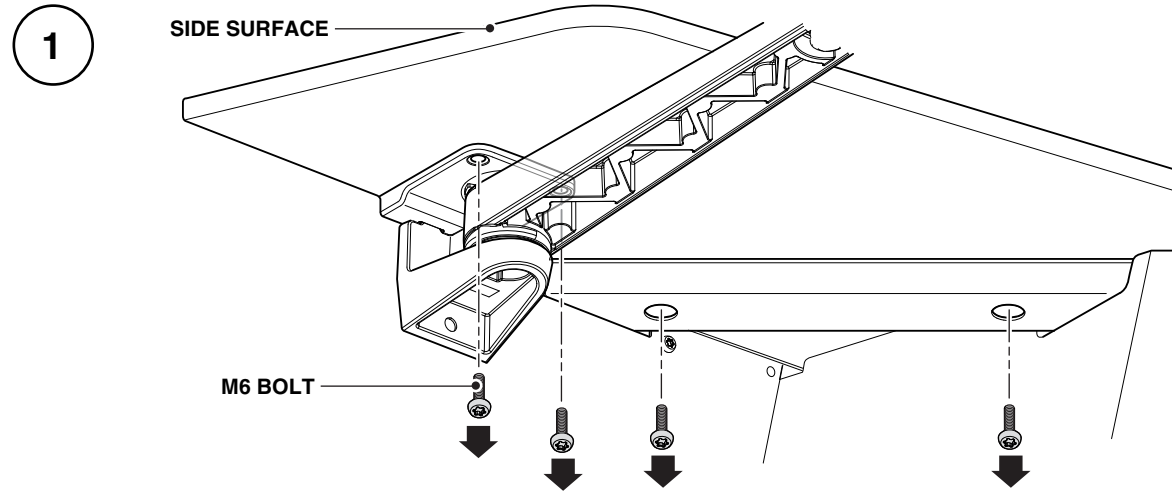
## Side Surface Replacement

**3.** Using a 4mm allen wrench, attach the rear z-bracket with the opening facing rearward as shown.

**4.** Using a 5mm allen wrench, attach the M6 socket head cap screw and star washer into the outer most threaded insert.

**NOTE:** IF A mini Dash light needs to be installed. It is easiest to install the bracket for it at this time before attaching the side surface to the Brody unit.

**5.** Reverse steps 1 thru 3 to complete assembly of new side surface.



## Non - Personal Worksurface Bracket Replacement

**1.** Using a narrow pry bar or glazing bar, gently slide the pry bar between the top cap and the lower wall, being careful not to damage the upholstery.

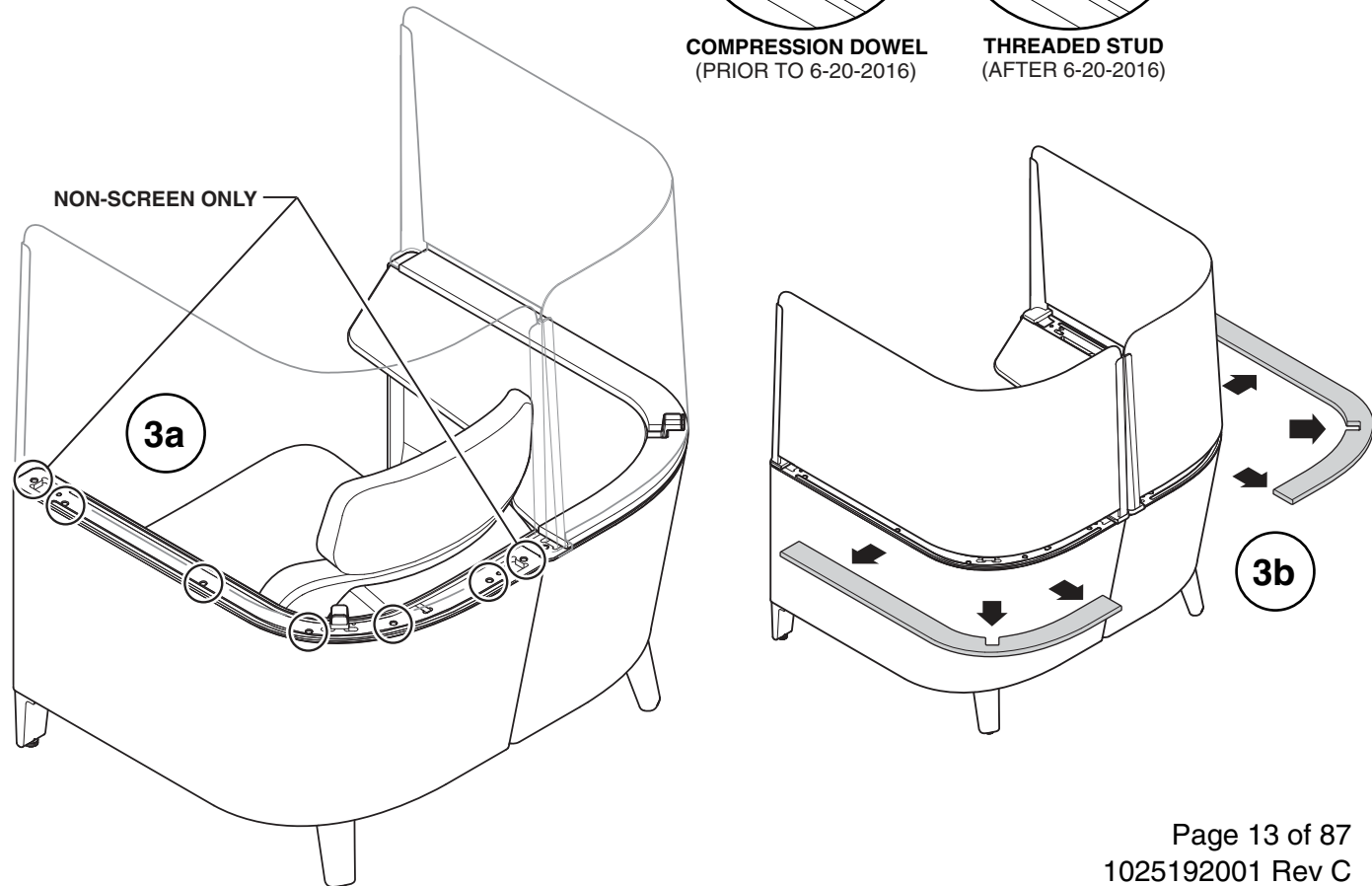
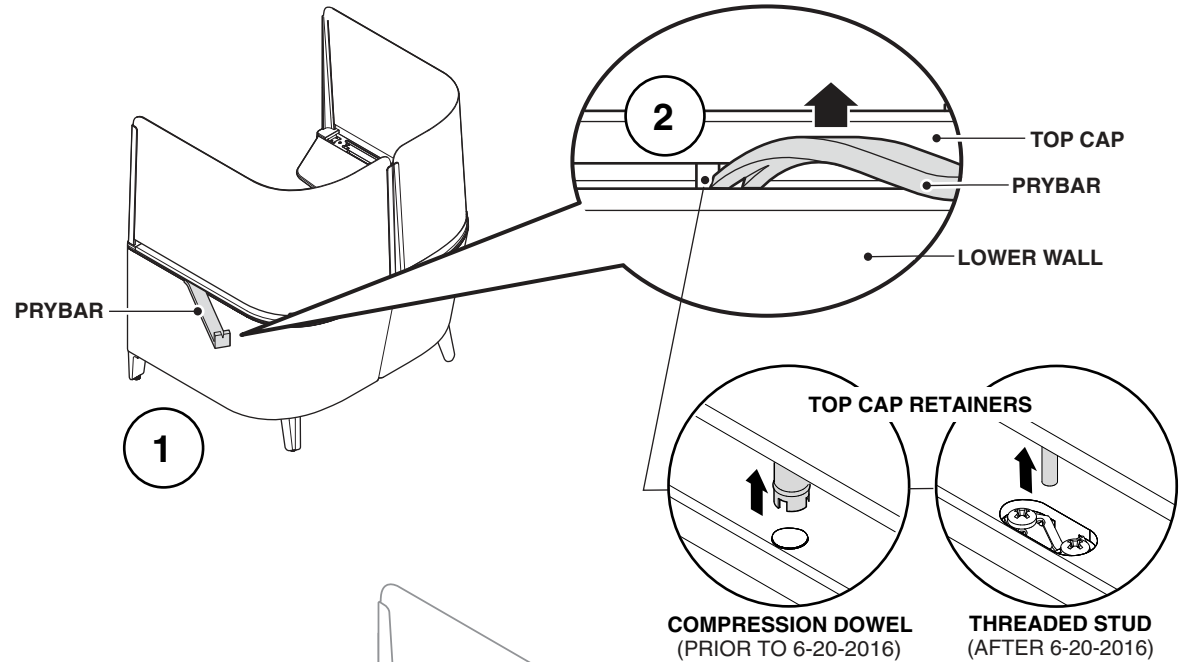
**DO NOT ATTEMPT TO PRY MORE THAN 1 INCH FROM ANY TOP CAP RETAINER AS THIS WILL RESULT IN DAMAGE TO THE TOP CAP.**

**2.** Search for locations of top cap retainers. Gently pry the top cap upward at the location of each retainer.

**NOTE:** Screen versions only have 5 top cap retainers while non-screened units have 7 on each top cap.

**NOTE:** Top cap retainers may be one of two types shown. Removal of top cap with prybar applies to both types of retainers.

**3.** Work around each top cap until all of the retainers have been disengaged (3a). Remove top caps (3b).



## Non – Personal Worksurface Bracket Replacement (continued)

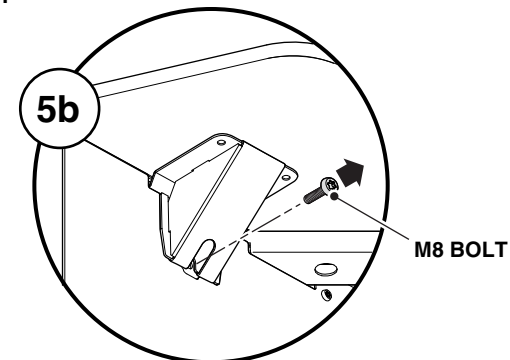
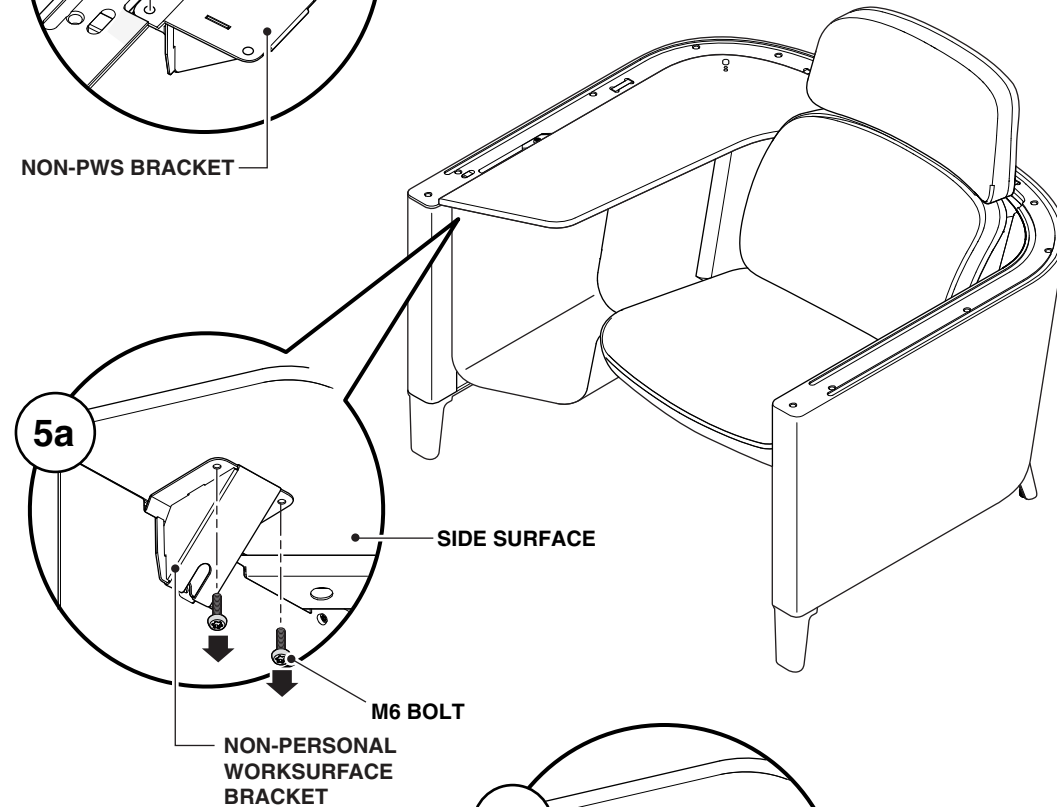
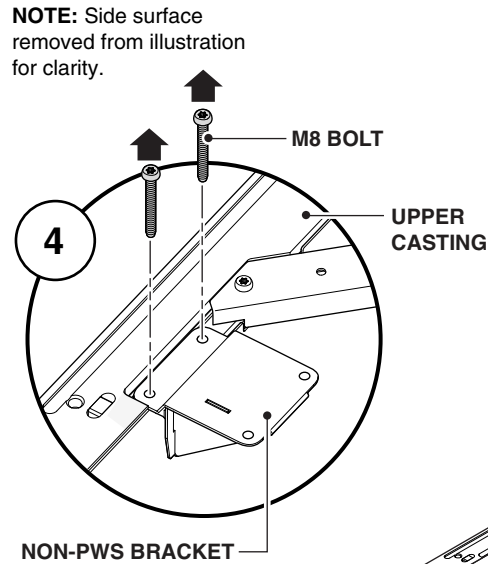
**4.** Using a 6mm Allen wrench, remove the two (2) M8 fasteners holding the side surface to the upper casting on the personal worksurface.

**5.** Using a T40 torx bit, remove the two (2) M6 bolts (5a) and the one (1) M8 bolt (5b) holding the personal worksurface to the steel frame.

**6.** Carefully slide the personal worksurface out from underneath the side surface.

**NOTE:** Do not load the side surface with the support bracket removed.

**7.** Reverse steps 4 thru 6 to install new non-PSW bracket.



## Non – Personal Worksurface Bracket Replacement (continued)

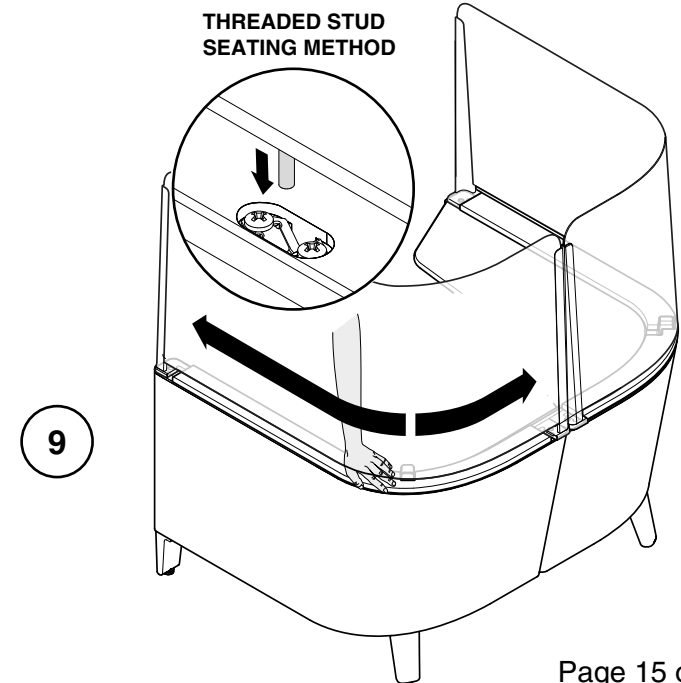
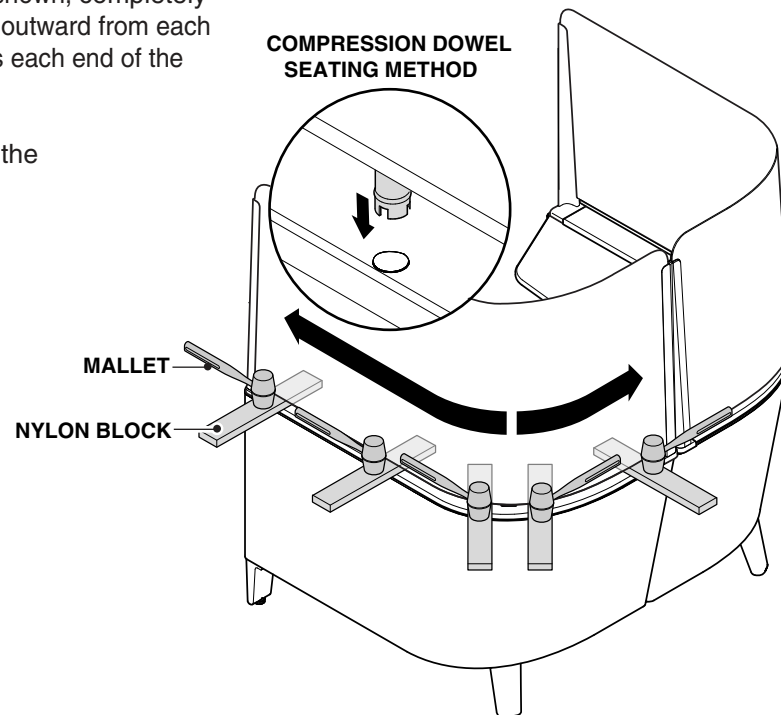
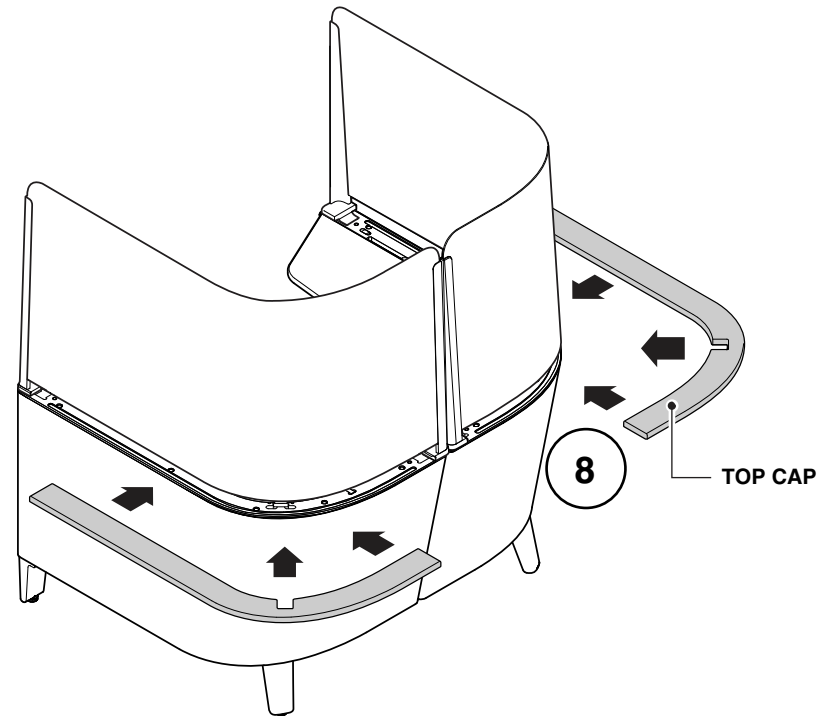
**NOTE:** To avoid damaging product, identify type of top cap retainer in use and refer to appropriate top cap retainer seating method shown.

**8.** Place top caps between screen and base unit. Locate compression dowel or threaded stud top cap retainers over holes or clips in base unit. Lightly press down to initially engage all retainers into the base unit.

**NOTE:** Whether seating top cap with nylon block and mallet, or by hand, always apply seating force with caution, directly over each top cap retainer.

**9.** Applying appropriate method shown, completely seat top caps by working your way outward from each side of the third leg bracket towards each end of the top cap.

You are complete once you level the glides, inspect & clean the unit!



## Privacy Screen Replacement

**1.** Using a narrow pry bar or glazing bar, gently slide the pry bar between the top cap and the lower wall, being careful not to damage the upholstery.

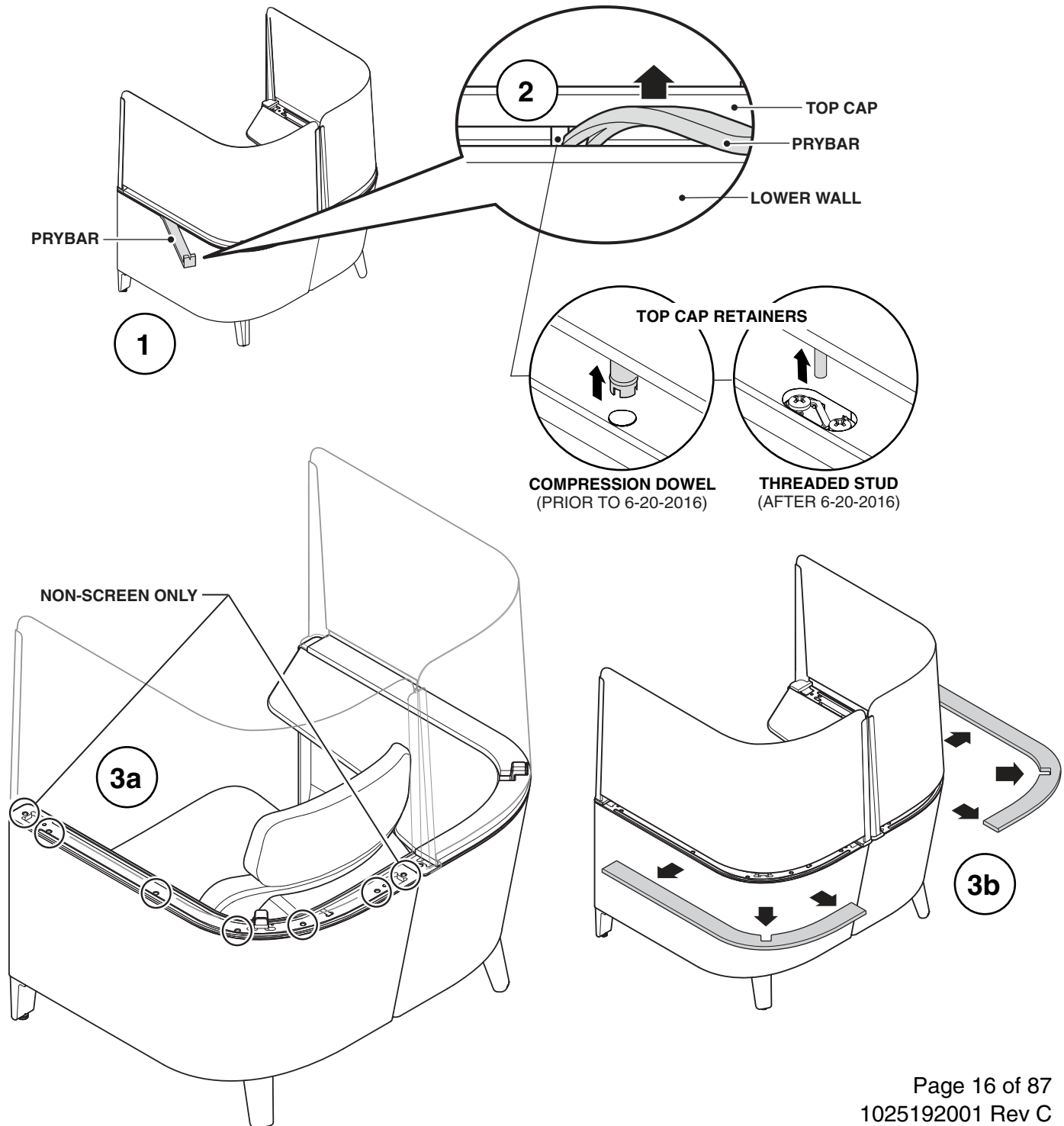
**DO NOT ATTEMPT TO PRY MORE THAN 1 INCH FROM ANY TOP CAP RETAINER AS THIS WILL RESULT IN DAMAGE TO THE TOP CAP.**

**2.** Search for locations of top cap retainers. Gently pry the top cap upward at the location of each retainer.

**NOTE:** Screen versions only have 5 top cap retainers while non-screened units have 7 on each top cap.

**NOTE:** Top cap retainers may be one of two types shown. Removal of top cap with prybar applies to both types of retainers.

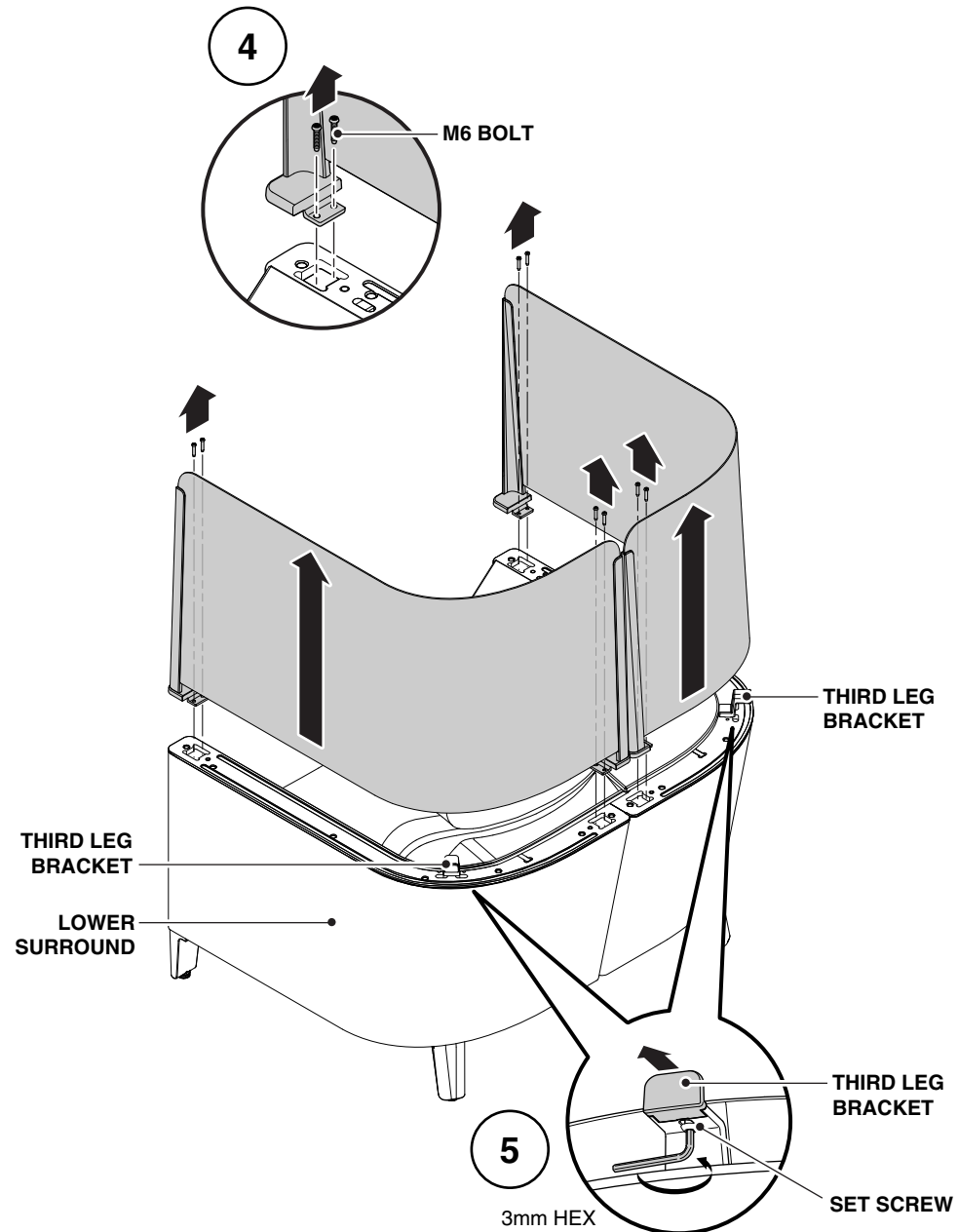
**3.** Work around each top cap until all of the retainers have been disengaged (3a). Remove top caps (3b).





## Privacy Screen Replacement (continued)

4. Remove all eight (8) of the M6 bolts that hold the cast bases to the lower surround.
5. Loosen the set screw on the third leg bracket.
6. Two (2) installers should carefully rotate the screen onto the floor so it is upside down.



## Privacy Screen Replacement (continued)

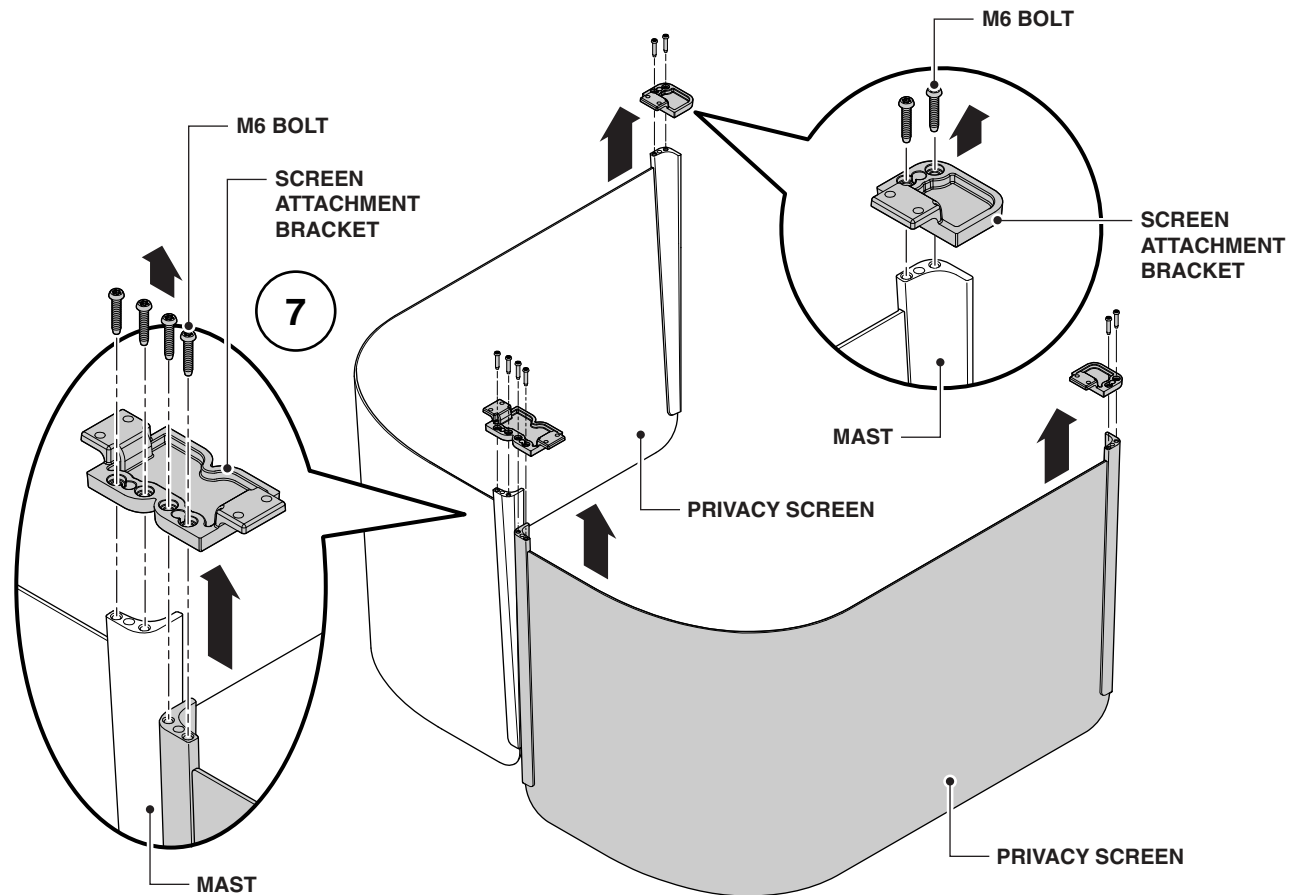
**7.** Remove all eight (8) of the M6 bolts that hold the screen attachment brackets to the masts.

**IF SCREEN IS UPHOLSTERED SKIP AHEAD TO STEP 13.**

**8.** Loosen the set screw that holds the screen in place.

**9.** Gently remove acrylic screen by sliding cast mast off from the teeth inside the casting.

**10.** Replace the acrylic screen by sliding cast mast onto the acrylic and reversing steps 7 & 8.

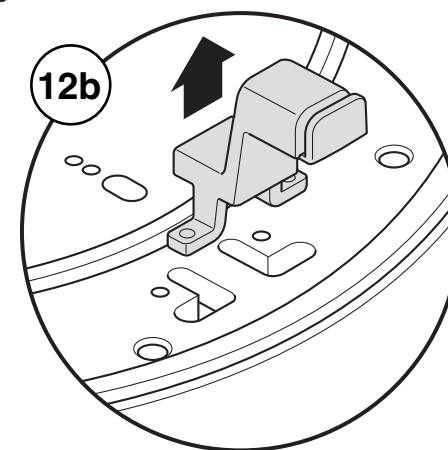
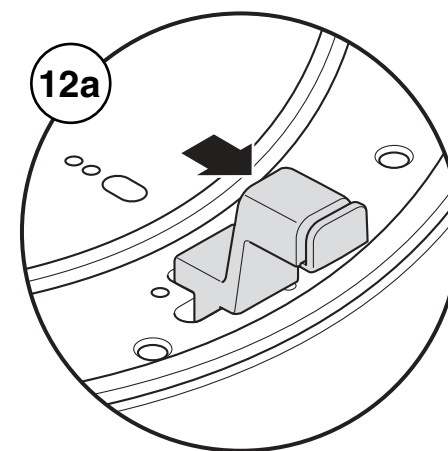
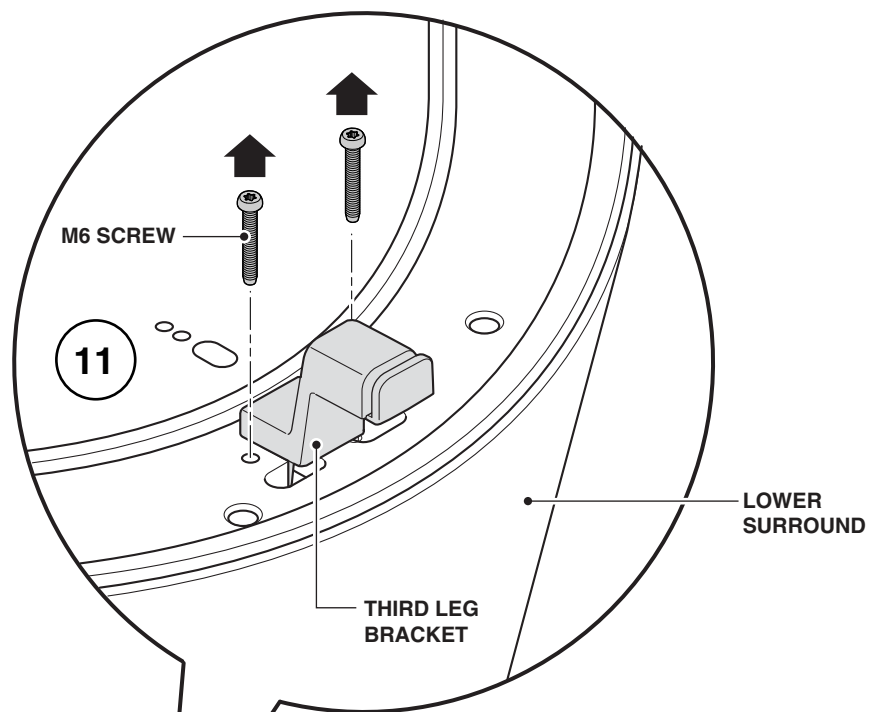
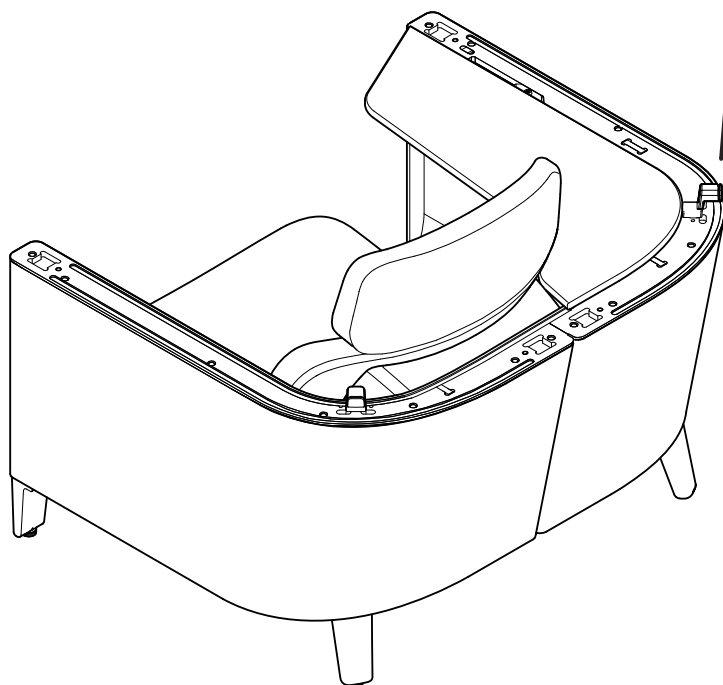


## Privacy Screen Replacement (continued)

**11.** If the third leg bracket needs to be replaced begin by removing the two (2) M6 screws that are attaching it to the lower surround.

**12.** Push the casting towards the back of the unit (12a) and then pull the dogleg up through the slots in the lower wall (12b).

**13.** Reverse steps 11 & 12 to install replacement third leg bracket.



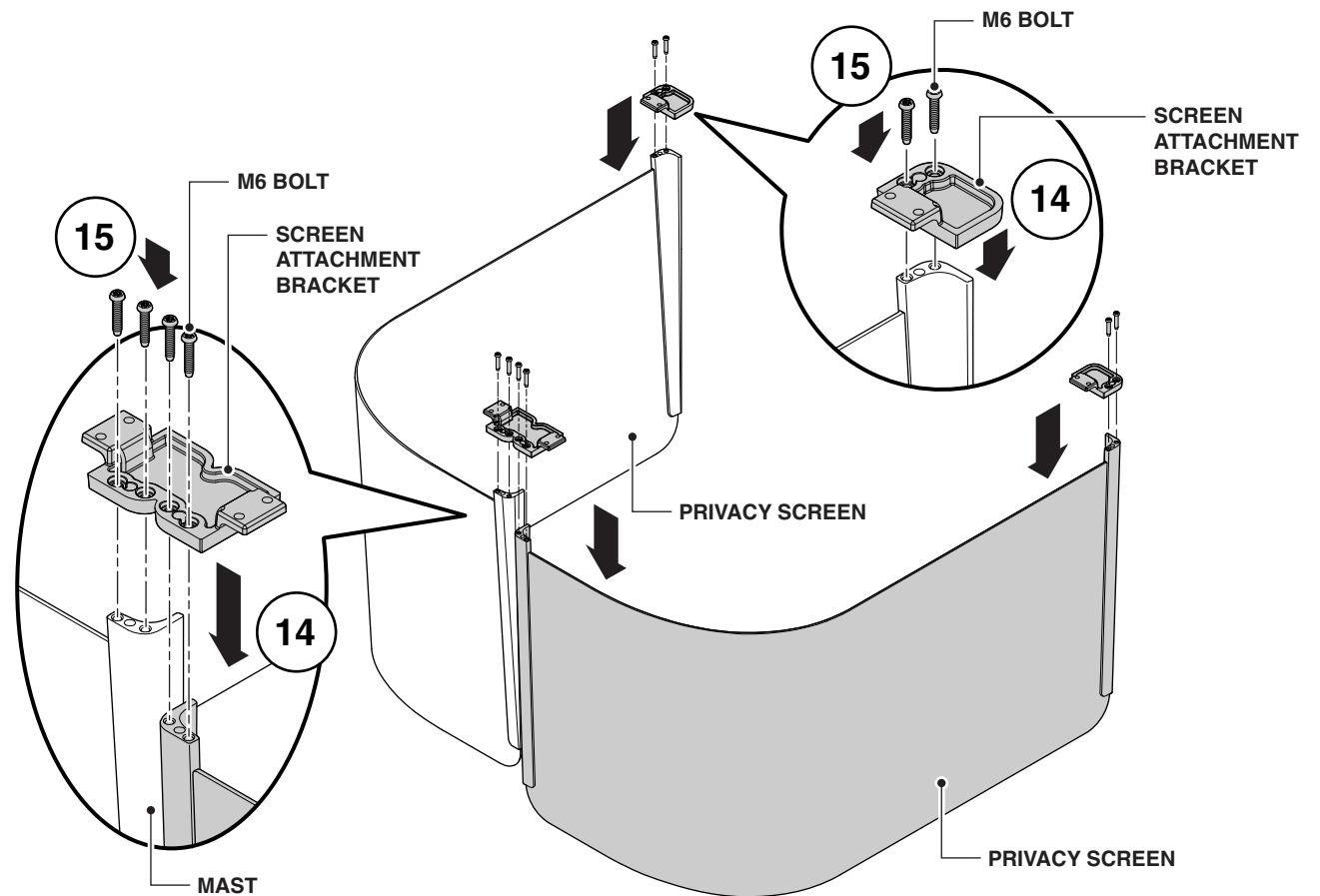
## Privacy Screen Replacement (continued)

**14.** Place screen attachment bracket onto aluminum masts.

**15.** Install the screen attachment brackets to the screen mast using two (2) M6 bolts per screen mast with a T30 torx bit.

**NOTE: DO NOT** torque bolts or the threads could strip.

**16.** Install new screen onto base unit by reversing steps 4 thru 6.



## Privacy Screen Replacement (continued)

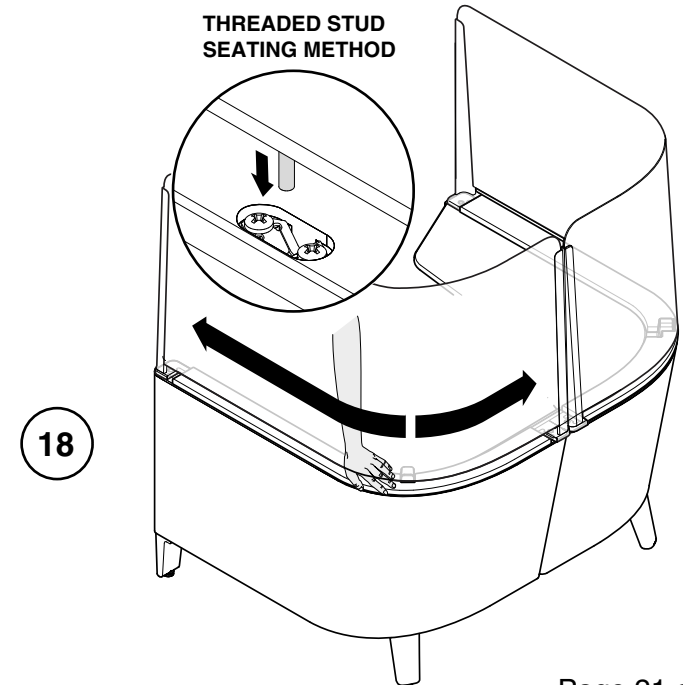
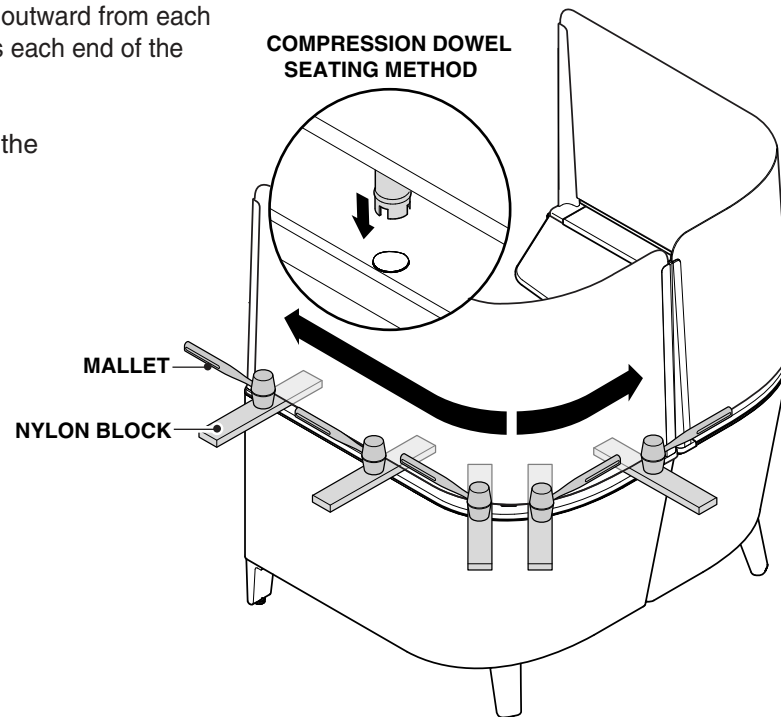
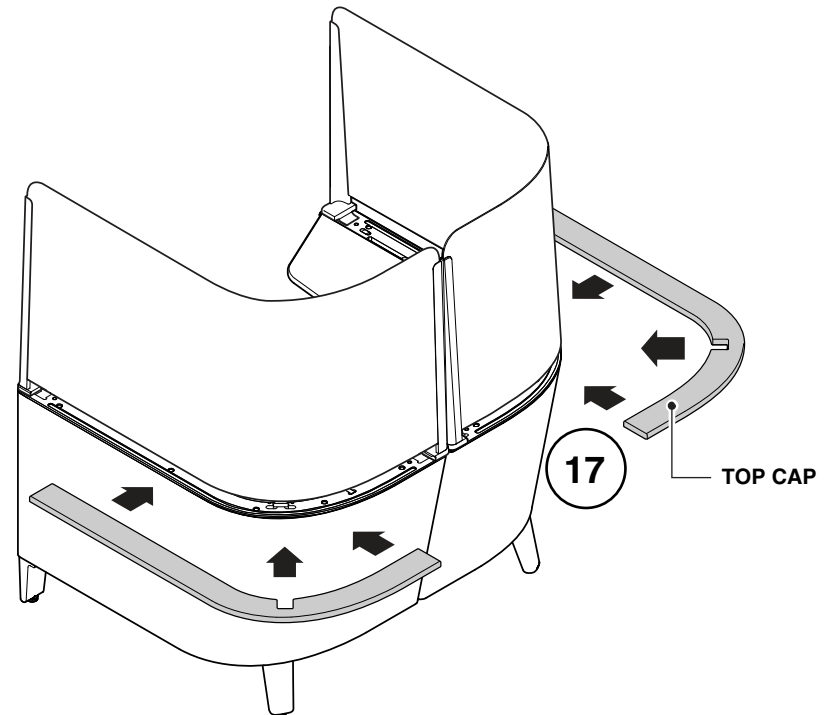
**NOTE:** To avoid damaging product, identify type of top cap retainer in use and refer to appropriate top cap retainer seating method shown.

**17.** Place top caps between screen and base unit. Locate compression dowel or threaded stud top cap retainers over holes or clips in base unit. Lightly press down to initially engage all retainers into the base unit.

**NOTE:** Whether seating top cap with nylon block and mallet, or by hand, always apply seating force with caution, directly over each top cap retainer.

**18.** Applying appropriate method shown, completely seat top caps by working your way outward from each side of the third leg bracket towards each end of the top cap.

You are complete once you level the glides, inspect & clean the unit!



## Top Trim Replacement

**1.** Using a narrow pry bar or glazing bar, gently slide the pry bar between the top cap and the lower wall, being careful not to damage the upholstery.

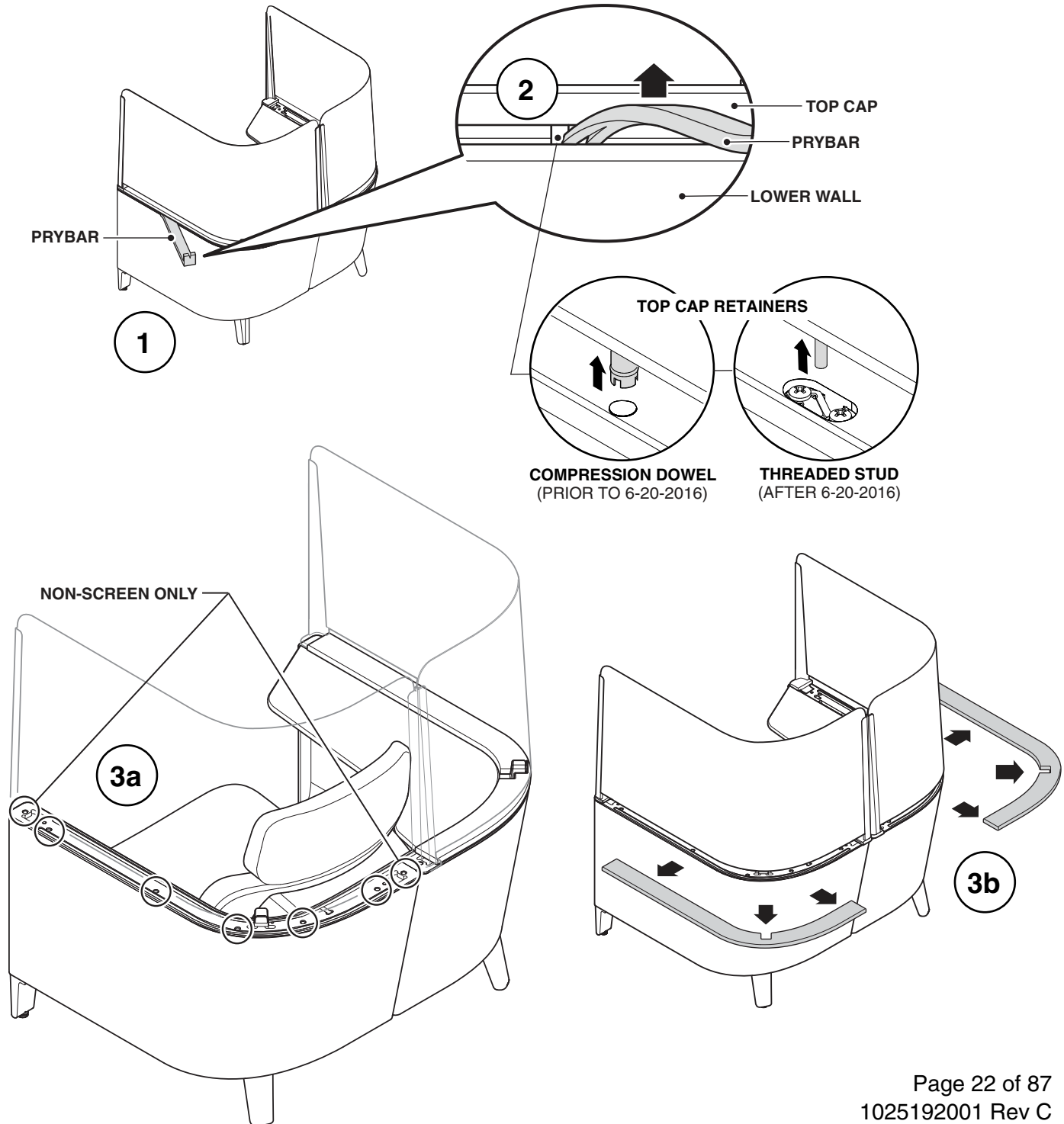
**DO NOT ATTEMPT TO PRY MORE THAN 1 INCH FROM ANY TOP CAP RETAINER AS THIS WILL RESULT IN DAMAGE TO THE TOP CAP.**

**2.** Search for locations of top cap retainers. Gently pry the top cap upward at the location of each retainer.

**NOTE:** Screen versions only have 5 top cap retainers while non-screened units have 7 on each top cap.

**NOTE:** Top cap retainers may be one of two types shown. Removal of top cap with prybar applies to both types of retainers.

**3.** Work around each top cap until all of the retainers have been disengaged (3a). Remove top caps (3b).



## Top Trim Replacement (continued)

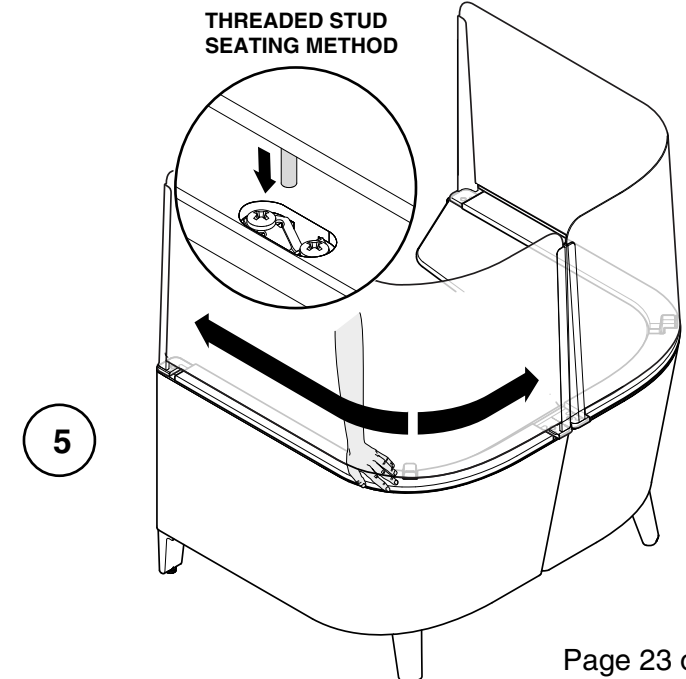
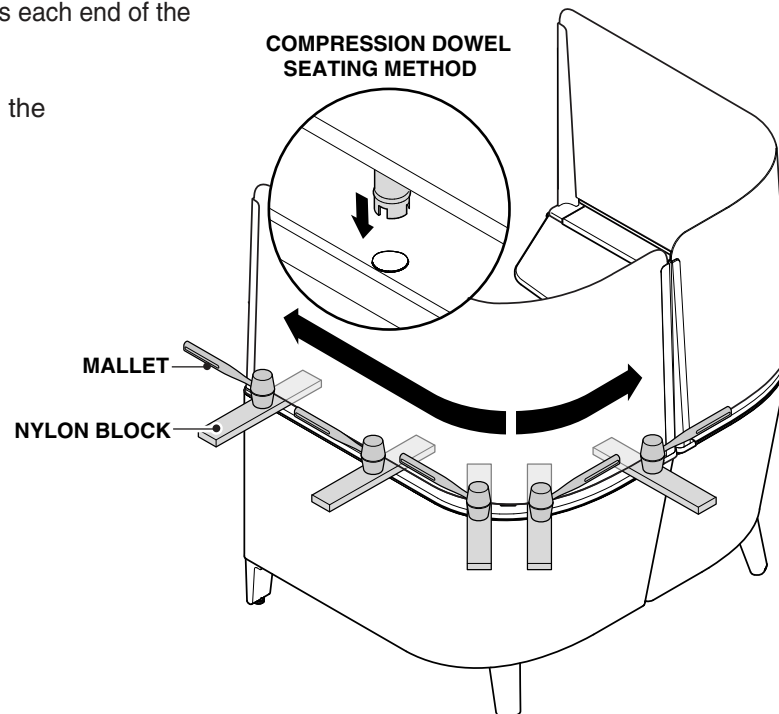
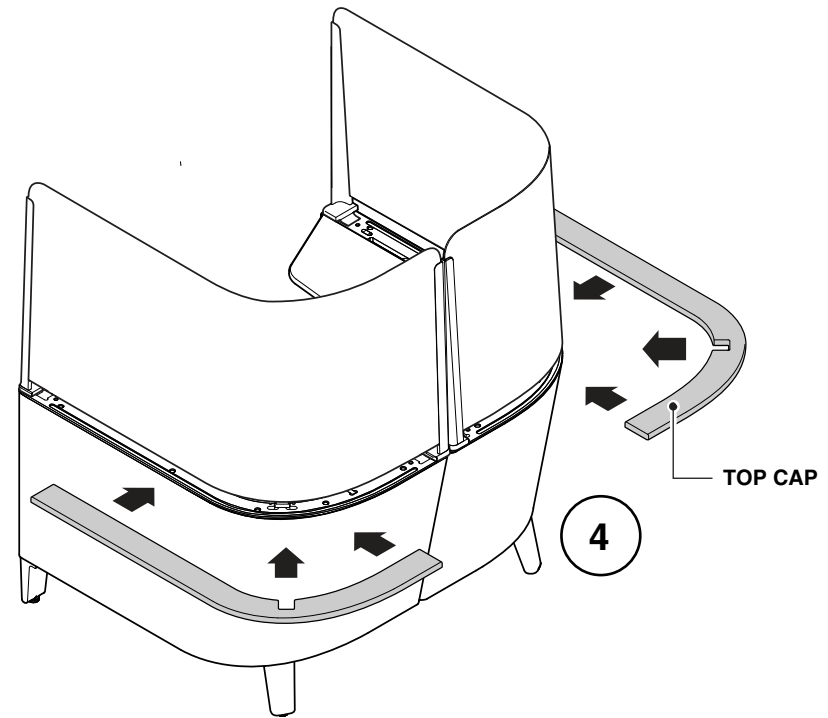
**NOTE:** To avoid damaging product, identify type of top cap retainer in use and refer to appropriate top cap retainer seating method shown.

**4.** Place top caps between screen and base unit. Locate compression dowel or threaded stud top cap retainers over holes or clips in base unit. Lightly press down to initially engage all retainers into the base unit.

**NOTE:** Whether seating top cap with nylon block and mallet, or by hand, always apply seating force with caution, directly over each top cap retainer.

**5.** Applying appropriate method shown, completely seat top caps by working your way outward from each side of the third leg bracket towards each end of the top cap.

You are complete once you level the glides, inspect & clean the unit!





## Extension Wall Replacement

**1.** Using a narrow pry bar or glazing bar, gently slide the pry bar between the top cap and the lower wall, being careful not to damage the upholstery.

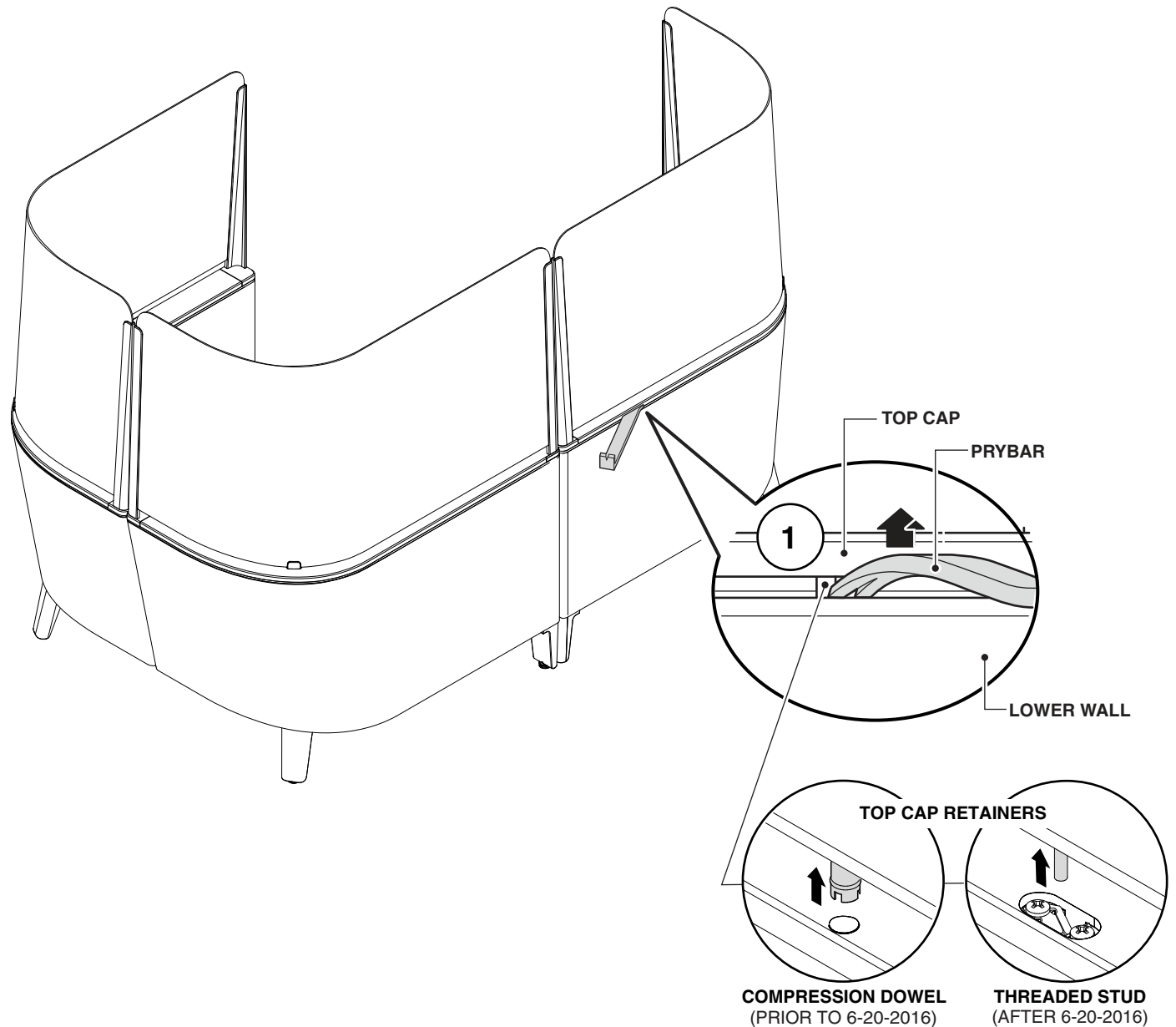
**DO NOT ATTEMPT TO PRY MORE THAN 1 INCH FROM ANY TOP CAP RETAINER AS THIS WILL RESULT IN DAMAGE TO THE TOP CAP.**

**2.** Search for locations of top cap retainers. Gently pry the top cap upward at the location of each retainer.

**NOTE:** Screen versions only have 5 top cap retainers while non-screened units have 7 on each top cap.

**NOTE:** Top cap retainers may be one of two types shown. Removal of top cap with prybar applies to both types of retainers.

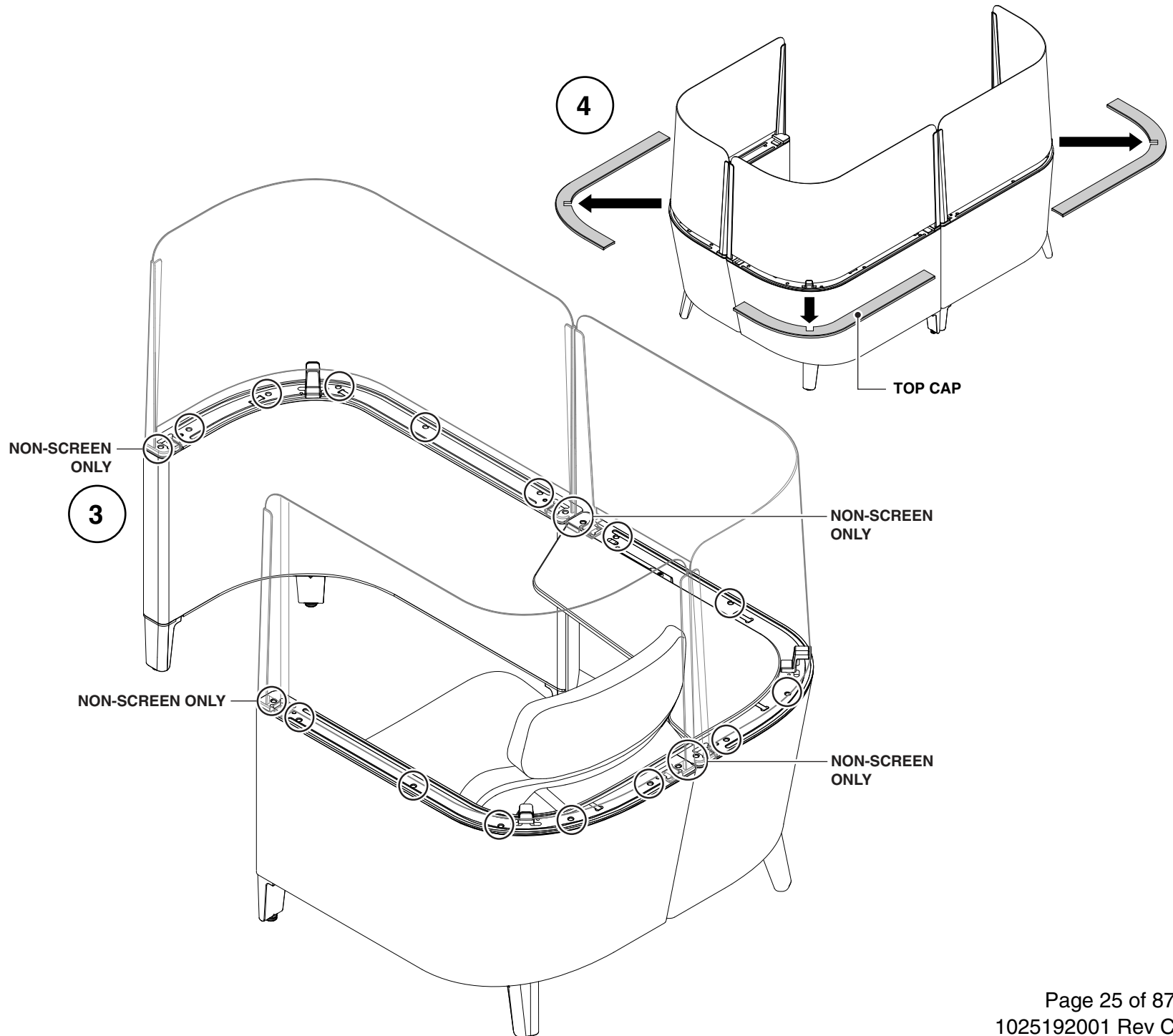
**3.** Work around each top cap until all of the retainers have been disengaged (3a). Remove top caps (3b).



## Extension Wall Replacement (continued)

**3.** Work around each top cap until all of the top cap retainers have been disengaged.

**4.** Remove the top caps and put them in a safe place where they will not be stepped on or damaged.



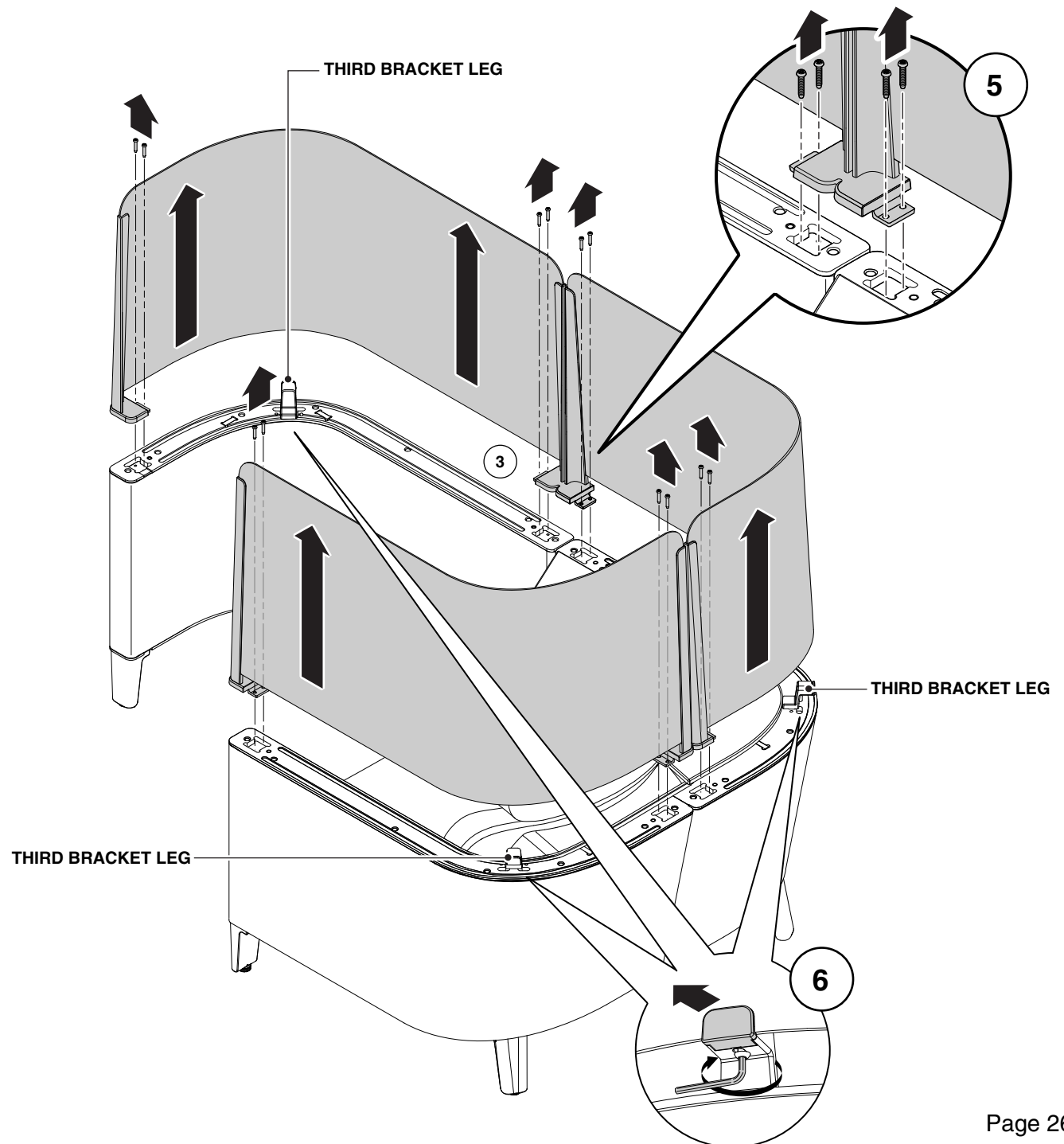
## Extension Wall Replacement (continued)

**5.** Using a T30 torx bit remove the M6 bolts that retain the main screen casting to the base unit.

**6.** Loosen the set screw on the third leg bracket.

**7.** With two or three people gently lift and rotate the screen and set upside down on a clean surface to service the extension wall screens or screen castings.

**IF YOU NEED TO SERVICE ANY OF THE SCREEN COMPONENTS PLEASE SEE INSTRUCTIONS ON SCREEN SERVICE.**



## Extension Wall Replacement (continued)

**8.** Using two people, gently rotate the unit onto its side onto a clean surface. Be sure not to allow the extension wall unit to rotate apart from the main unit as it will damage the ganging bracket.

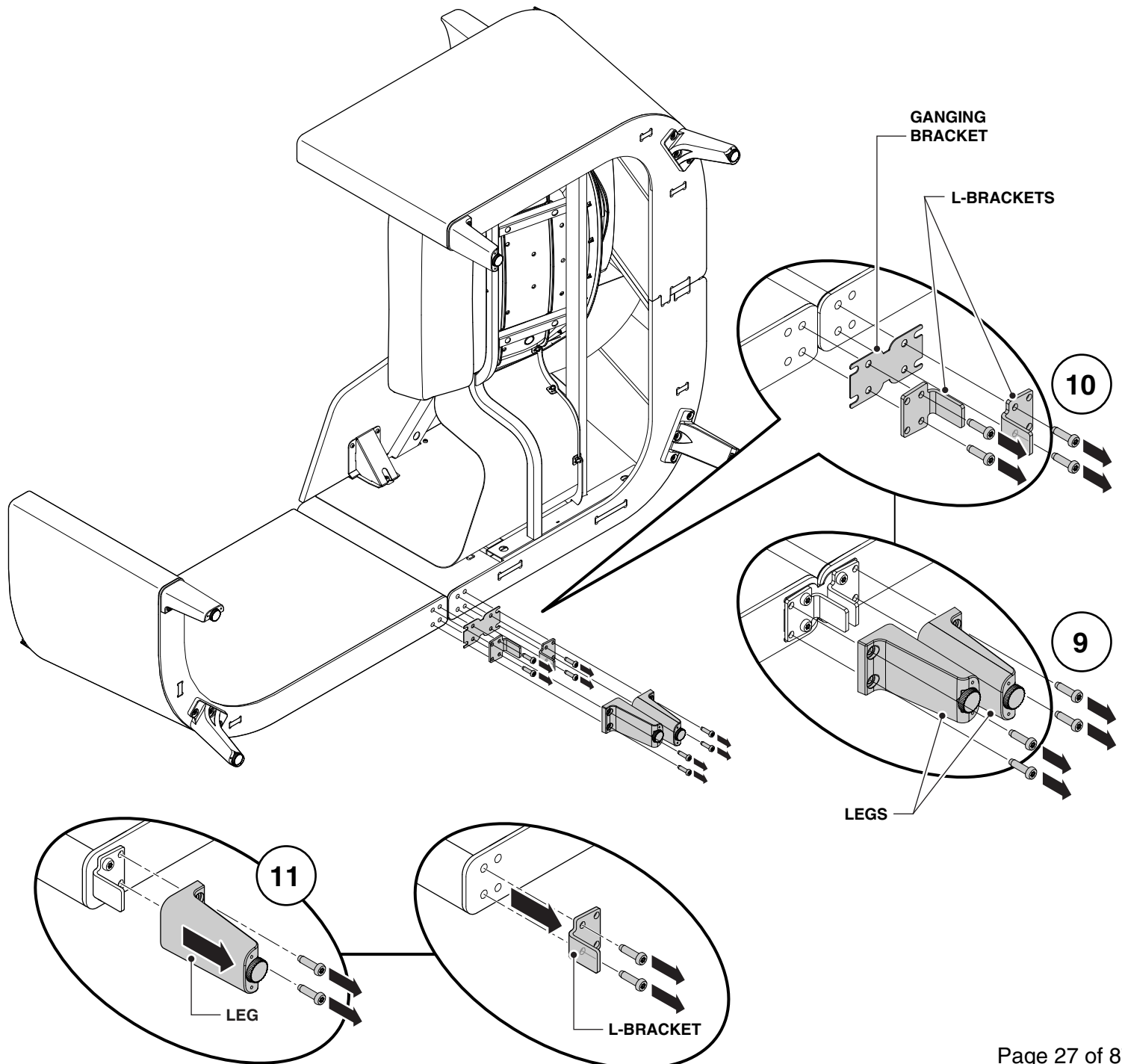
**9.** Remove the screws attaching the feet between the main unit and the extension wall.

**10.** Remove the screws attaching the L-brackets to the extension wall.

**11.** If you have a new extension wall you will want to remove the leg and L-bracket from the long section to prepare for the next step.

**12.** Reverse steps 9 thru 11 to install new legs.

**13.** Reverse steps 5 thru 7 to install screen.



## Extension Wall Replacement (continued)

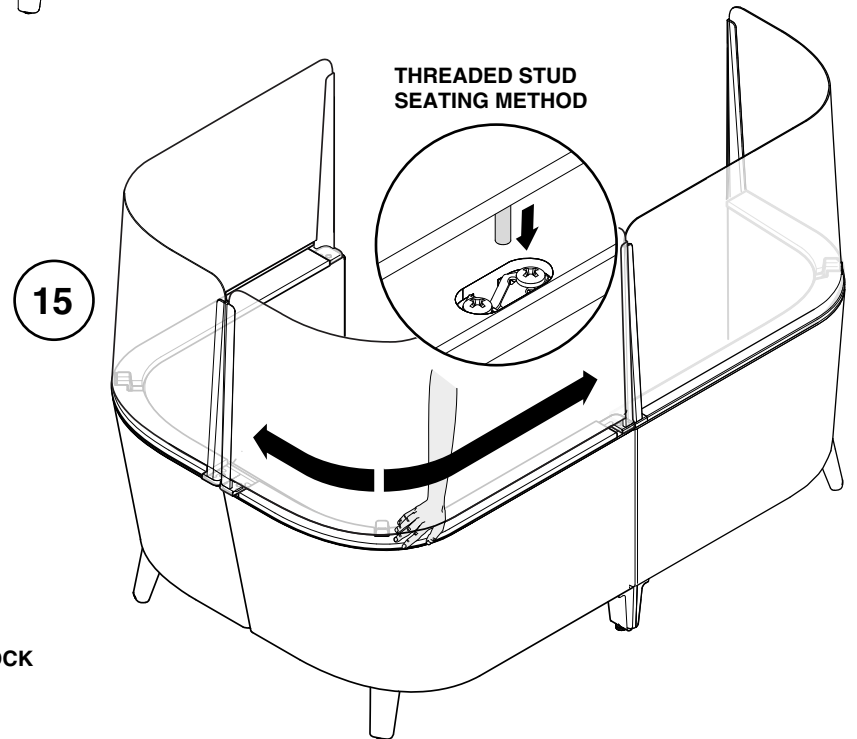
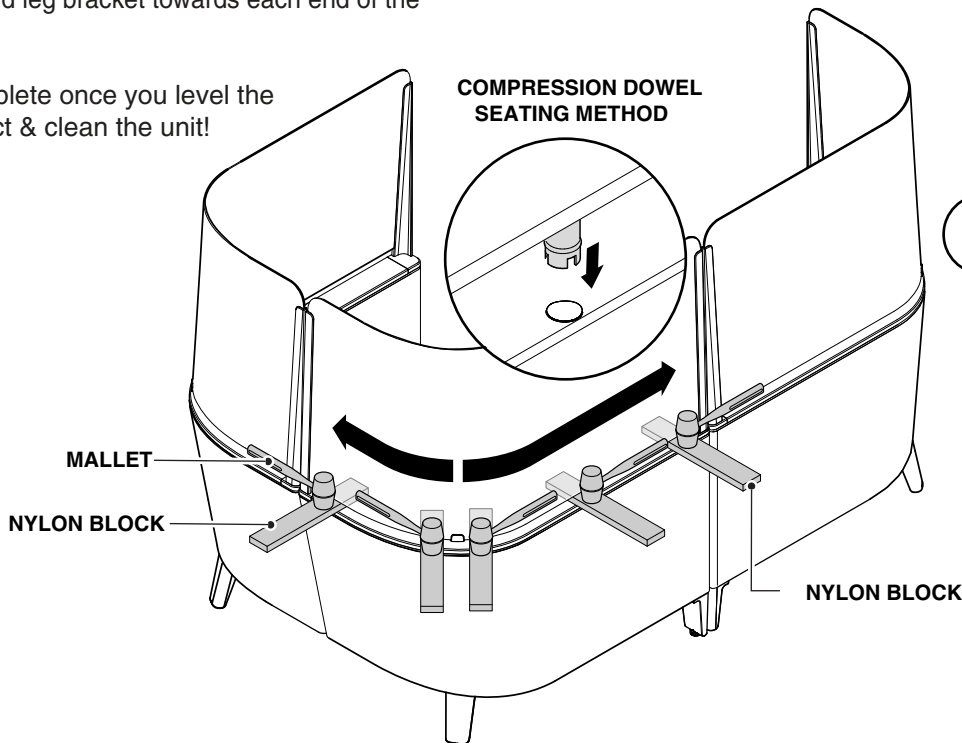
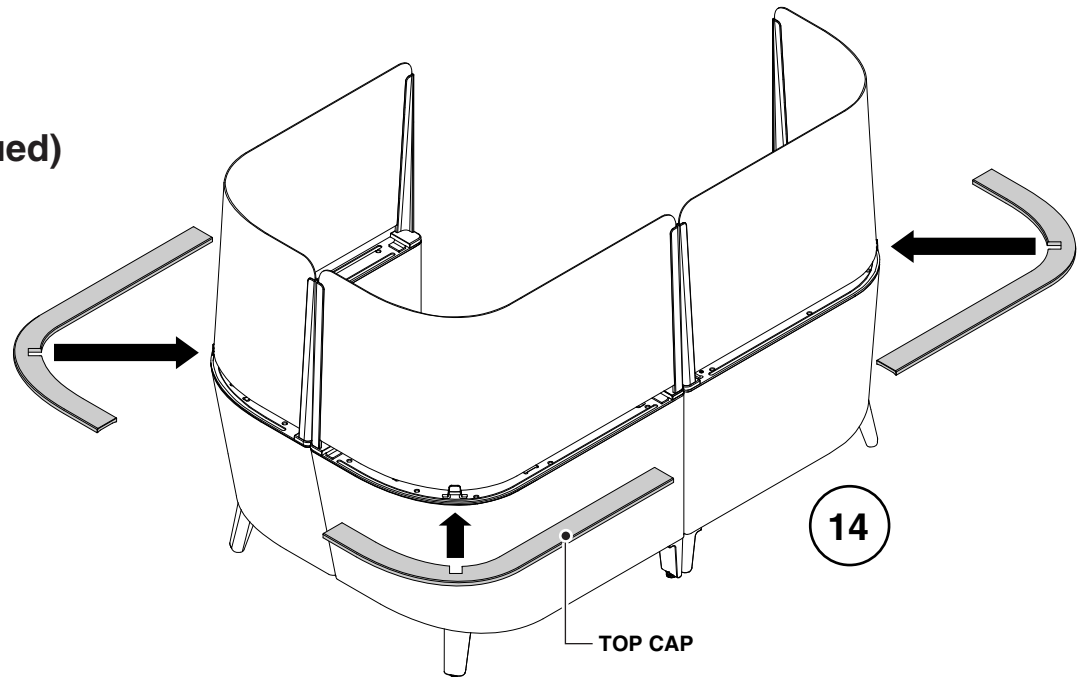
**NOTE:** To avoid damaging product, identify type of top cap retainer in use and refer to appropriate top cap retainer seating method shown.

**14.** Place top caps between screen and base unit. Locate compression dowel or threaded stud top cap retainers over holes or clips in base unit. Lightly press down to initially engage all retainers into the base unit.

**NOTE:** Whether seating top cap with nylon block and mallet, or by hand, always apply seating force with caution, directly over each top cap retainer.

**15.** Applying appropriate method shown, completely seat top caps by working your way outward from each side of the third leg bracket towards each end of the top cap.

You are complete once you level the glides, inspect & clean the unit!



## Footrest Repair / Replacement

**1.** Using a wide tipped tool such as a large flat tipped screwdriver, carefully pry the edge of the traction ring apart from the plastic lower (1a). An audible click should be heard that is the snap fit tubes disengaging from the lower. Remove traction ring (1b).

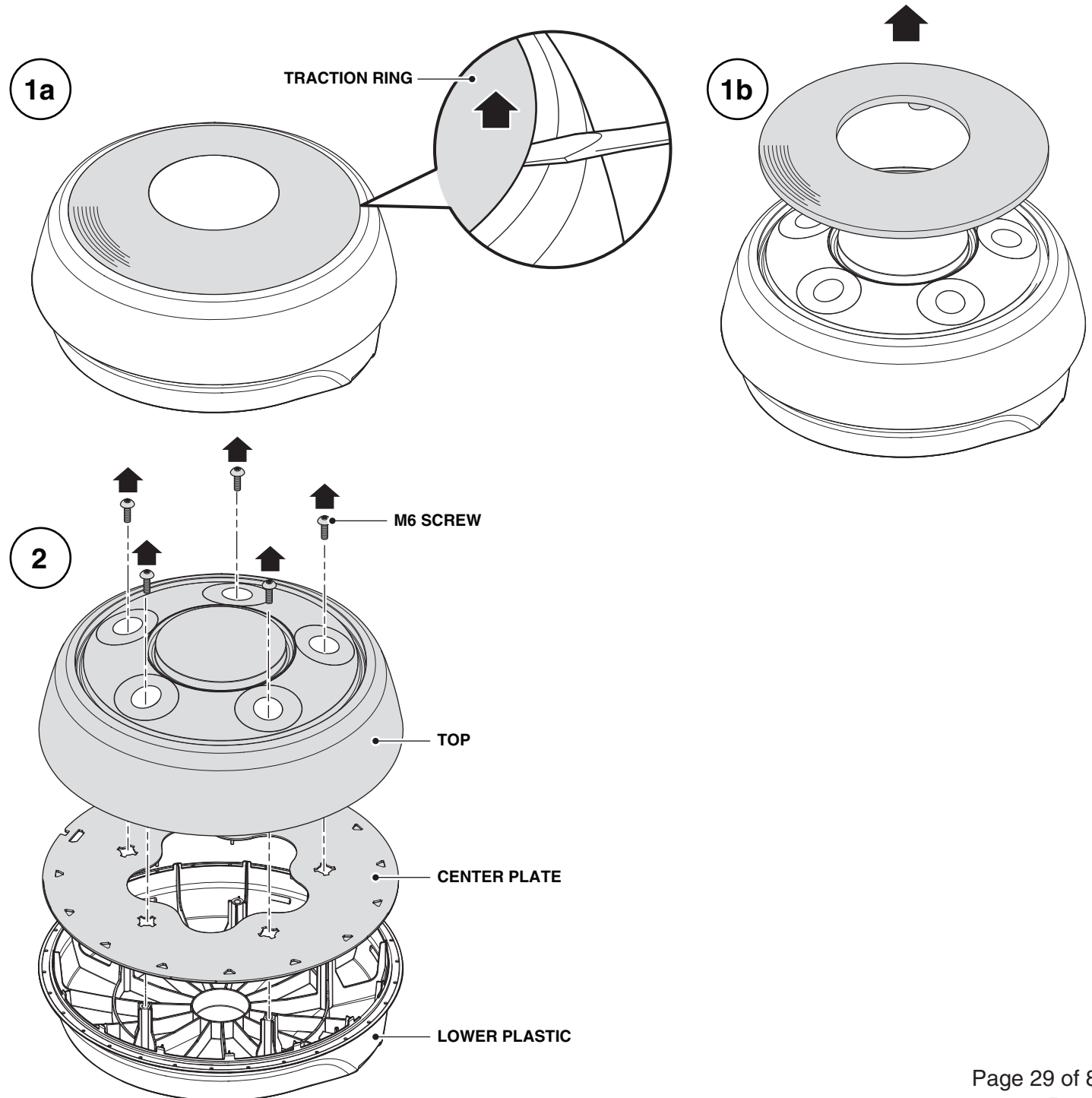
**IF YOU ONLY NEED TO REPLACE THE TRACTION RING, SKIP AHEAD TO STEP 5.**

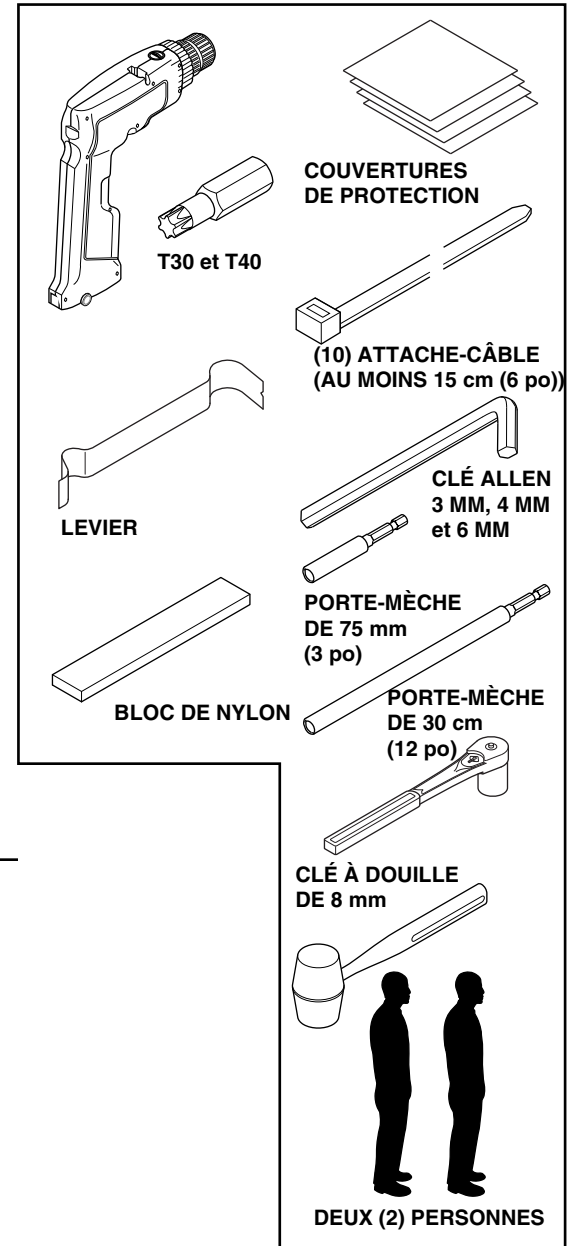
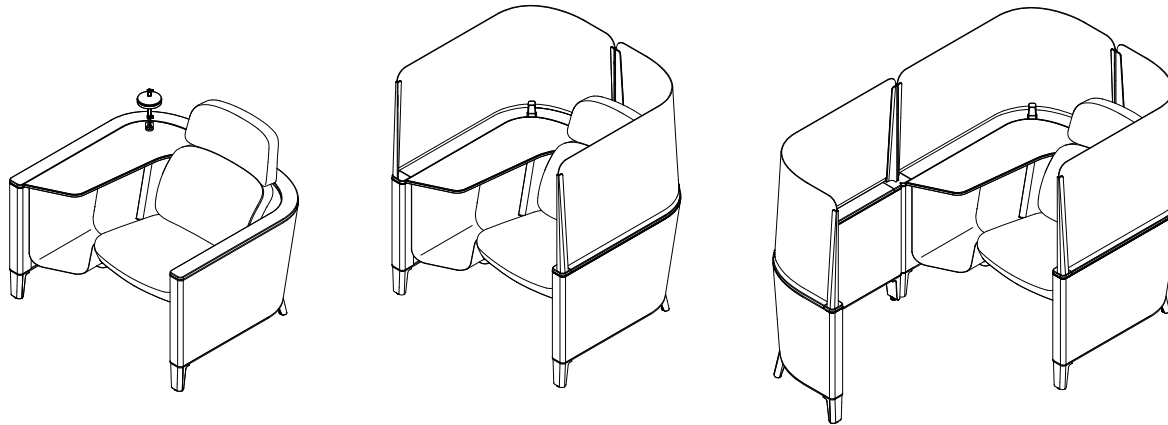
**2.** With the traction ring removed, remove five (5) M6 screws.

**3.** With the top of the footrest upside down, align the notch in the center plate to the key feature.

**4.** Next, nest the lower plastic to the assembly and align the assembly holes in the lower with the screw bosses in the upper.

**5.** Finally align the snap-fit bosses in the traction ring to the assembly holes in the lower and firmly press into place until the edges appear flush to the lower plastic housing.





### Table des matières

Objet	Page
Remplacement du dossier et du siège	31
Remplacement de la mini-lampe de travail	35
Remplacement du bloc d'alimentation	36
Remplacement de la patte inclinée	37
Remplacement de la patte droite	37
Réglage des patins	38
Remplacement de la surface de travail personnelle	39
Remplacement de la surface de travail/couvercles	40
Retrait de la surface latérale	41
Remplacement du support de la surface de travail non personnelle	42
Remplacement de l'écran visuel	45
Remplacement de la garniture supérieure	51
Remplacement de la rallonge de paroi	53
Réparation/remplacement du repose-pieds	58

Si vous avez un problème, une question à poser ou une requête à faire, appelez votre concessionnaire local ou Steelcase, ligne 1, au numéro **888.STEELCASE** (888.783.3522) pour obtenir une action immédiate de personnes prêtes à vous aider.

(En-dehors des États-Unis, du Canada, du Mexique, de Porto Rico et des Antilles américaines, composez le 1.616.247.2500)

Ou visitez notre site Web à l'adresse: [www.steelcase.com](http://www.steelcase.com)

© 2007 Steelcase Inc.  
Grand Rapids, MI 49501  
États-Unis  
Imprimé aux États-Unis



## Remplacement du dossier et du siège

**1.** Insérez doucement un petit levier ou une barre à mastic entre l'embout supérieur et la paroi inférieure, en prenant soin de ne pas endommager le garnissage.

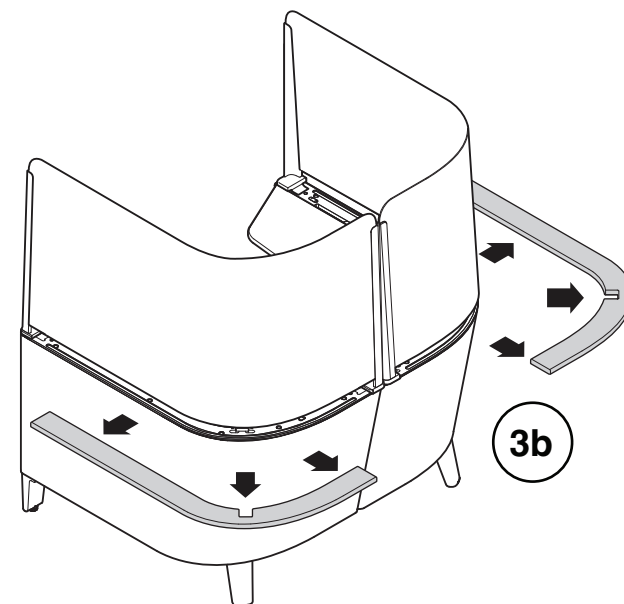
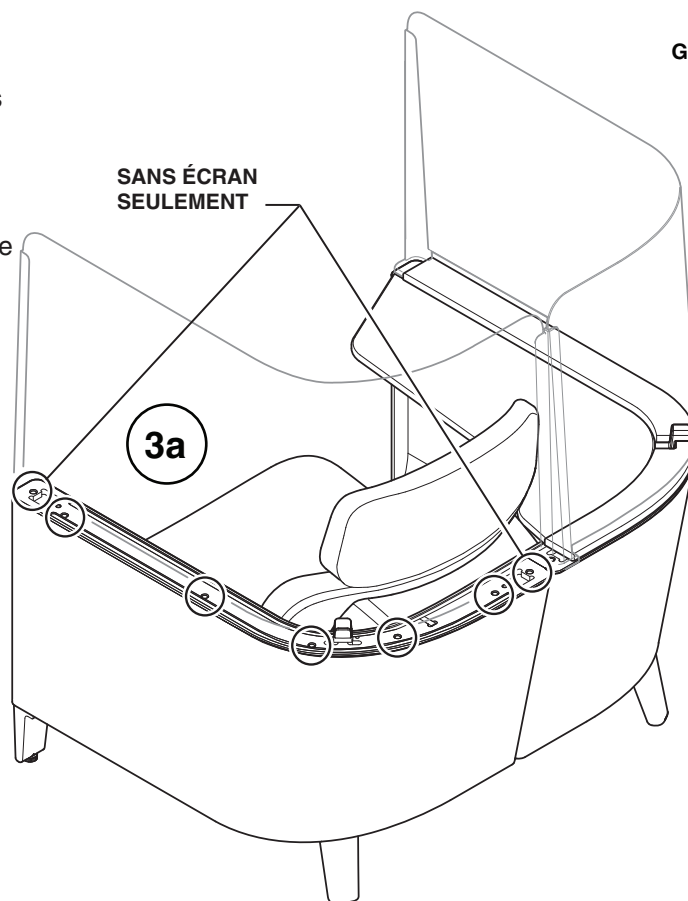
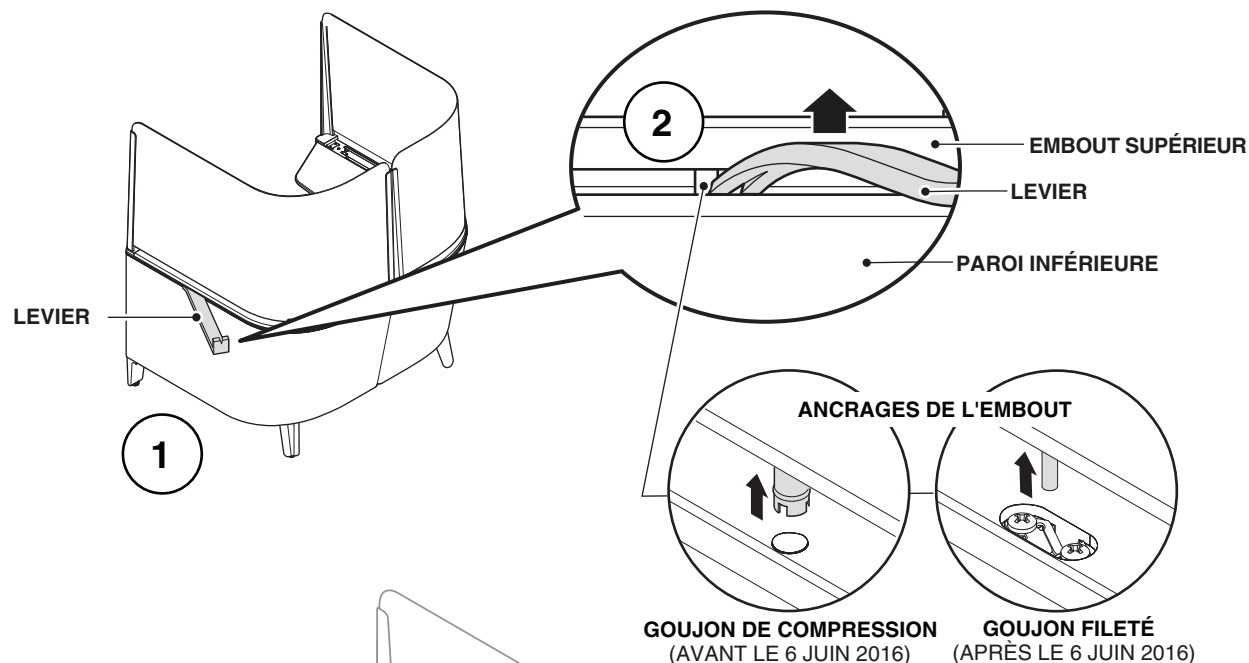
**NE SOULEVEZ PAS L'EMBOUT À PLUS DE 25 MM (1 PO) D'UN ANCRAGE D'EMBOUT CAR CELA ENDOMMAGERAIT L'EMBOUT SUPÉRIEUR.**

**2.** Recherchez les emplacements des ancrages de l'embout supérieur. Au moyen du levier, soulevez doucement l'embout vis-à-vis chacun des ancrages.

**REMARQUE :** Le modèle avec écran comporte seulement 5 ancrages d'embout, mais le modèle sans écran en comporte 7 pour chaque embout supérieur.

**REMARQUE :** Il existe deux types d'ancrage, comme illustré. Le retrait de l'embout supérieur au moyen d'un levier s'applique aux deux types d'ancrage.

**3.** Déplacez-vous sur toute la longueur de chaque embout, jusqu'à ce qu'il soit dégagé de tous les ancrages. Retirez les embouts supérieurs (3b).

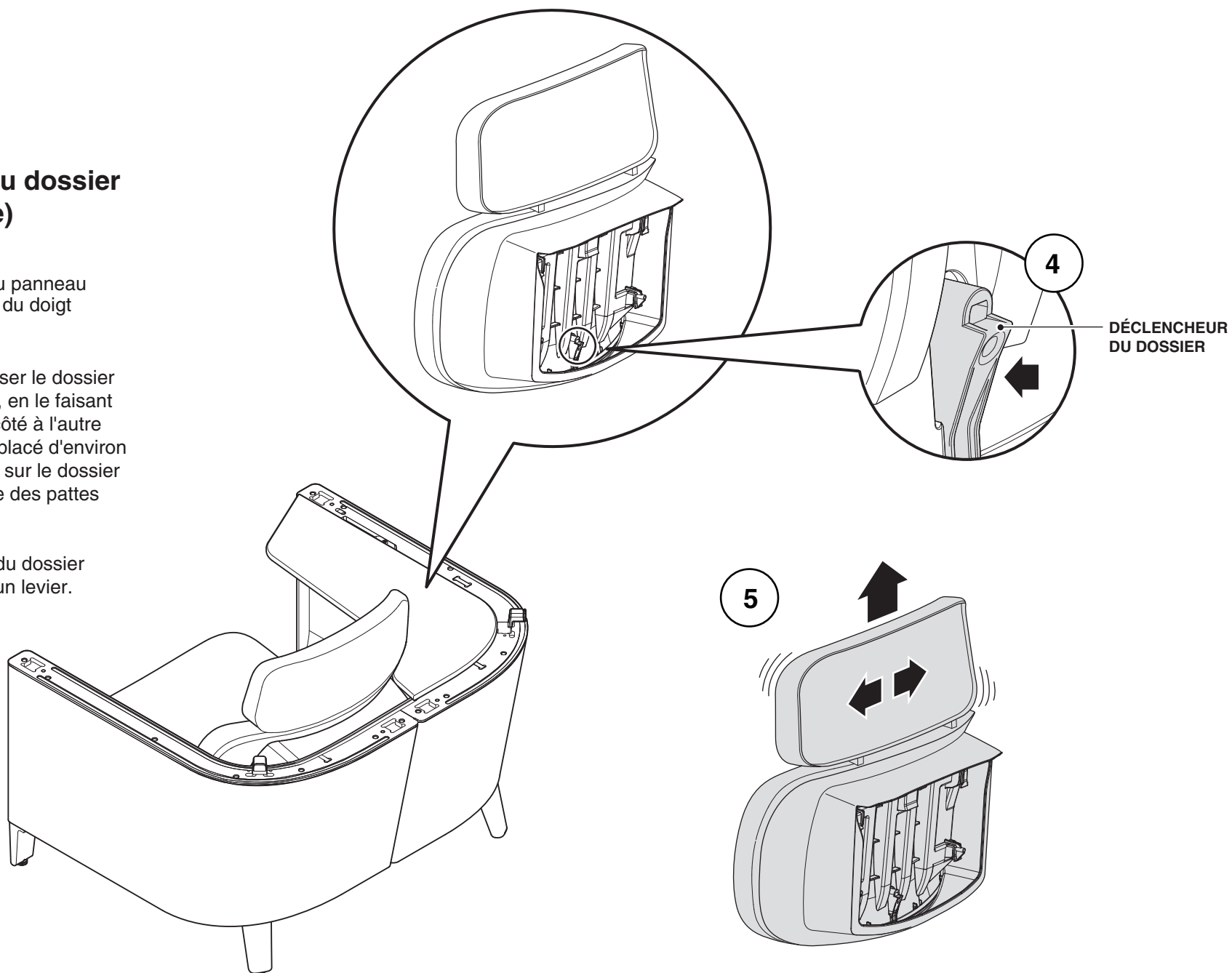


## Remplacement du dossier et du siège (suite)

**4.** Dégagez le dossier du panneau de montage en appuyant du doigt sur le déclencheur.

**5.** Faites doucement glisser le dossier vers le haut à la verticale, en le faisant doucement osciller d'un côté à l'autre jusqu'à ce qu'il se soit déplacé d'environ 50 mm (2 po). Tirez alors sur le dossier jusqu'à ce qu'il se dégage des pattes de contre-plaqué.

**REMARQUE :** Le retrait du dossier n'exige pas l'utilisation d'un levier.



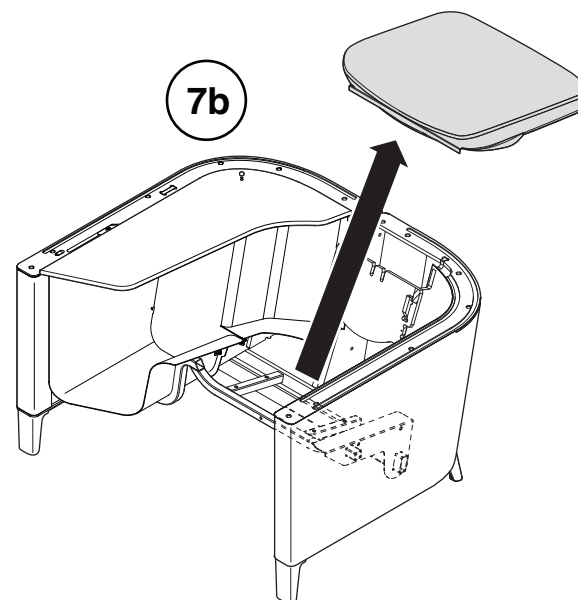
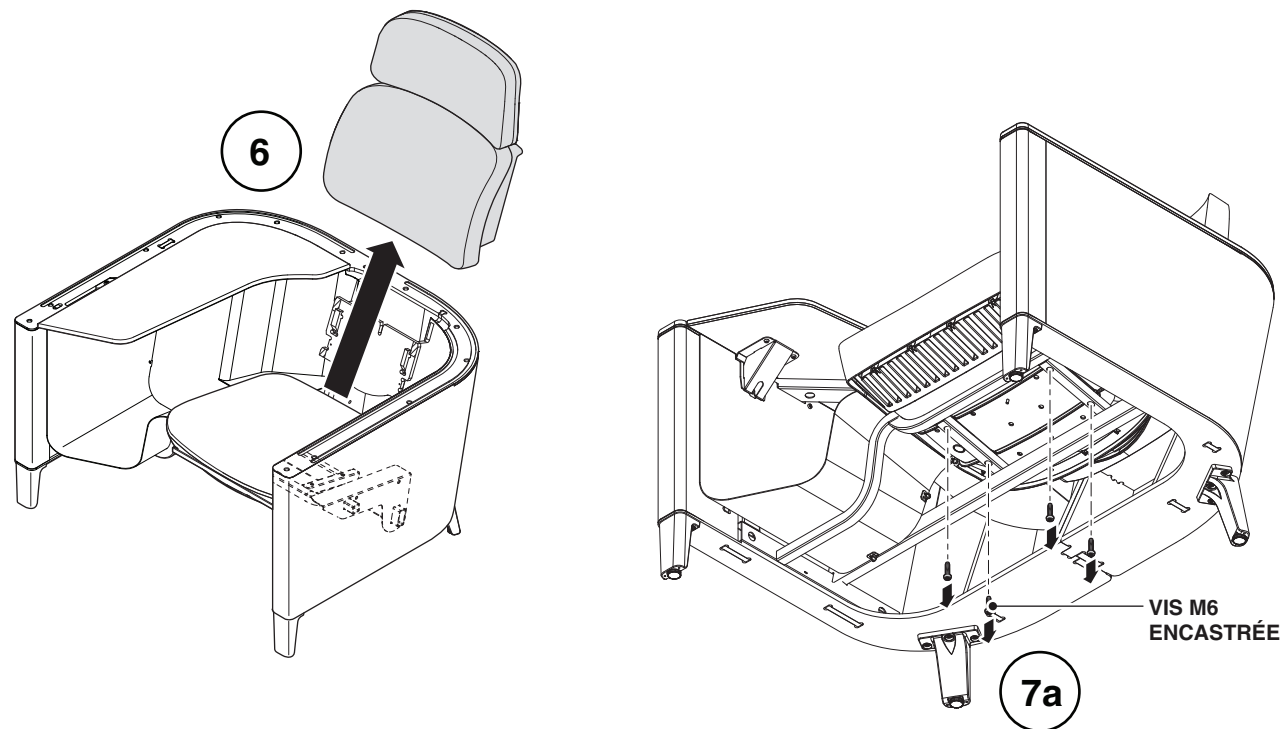
## Remplacement du dossier et du siège (suite)

**6.** Soulevez le dossier et mettez-le de côté.

**7.** Au moyen d'une clé Allen de 6 mm, dévissez les quatre (4) vis M6 encastrées sous le fond du siège (7a) et retirez le siège rembourré (7b).

**REMARQUE :** Ces vis sont situées à l'intérieur des trous dans le cadre d'acier.

**8.** Mettez le nouveau siège en place en inversant les étapes 5 à 7.



## Remplacement du dossier et du siège (suite)

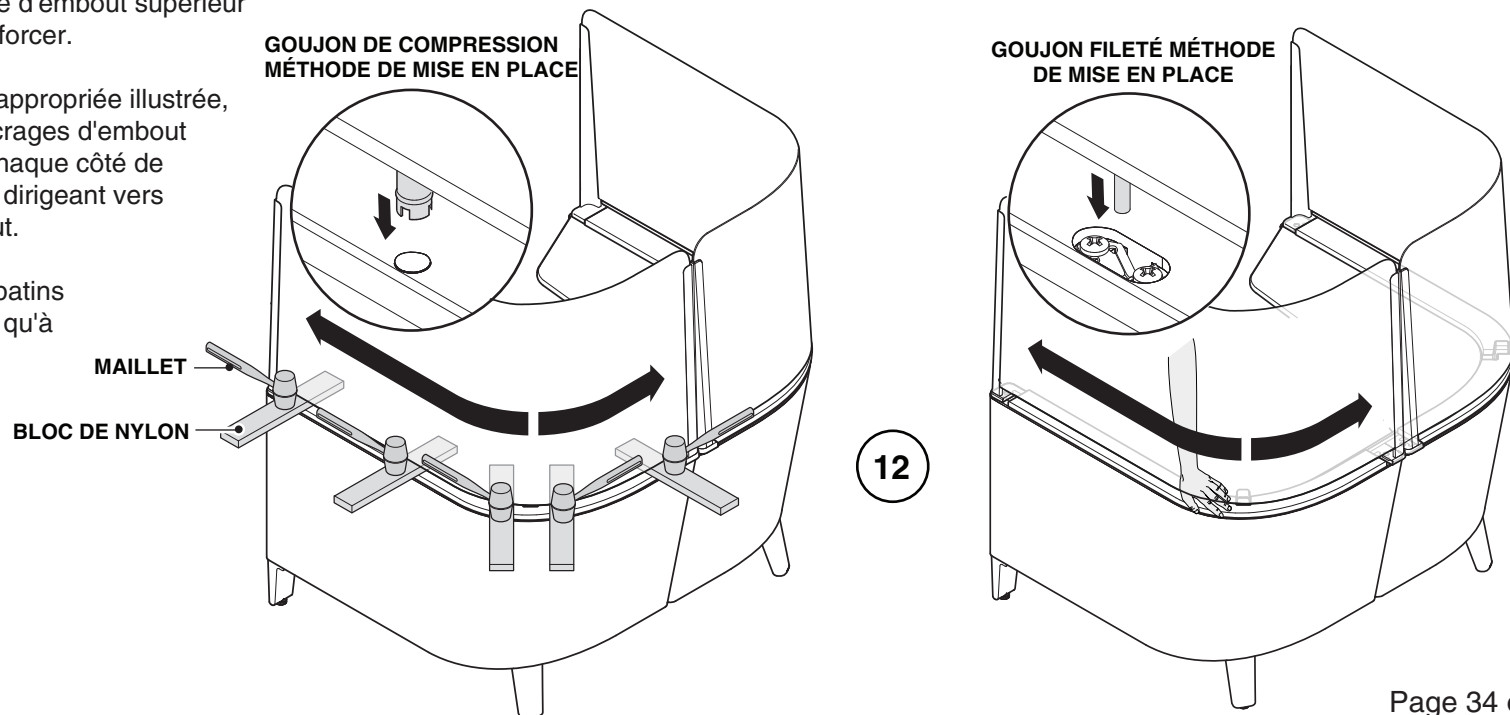
**REMARQUE :** Pour éviter d'endommager le produit, déterminez le type d'ancrage d'embout supérieur utilisé, puis consultez la méthode d'installation appropriée des ancrages illustrée.

**11.** Placez les ancrages d'embout entre l'écran et la base. Localisez les ancrages (goujon de compression ou goujon fileté) dans les trous ou les agrafes de la base. Poussez d'abord doucement sur les ancrages pour les insérer dans la base.

**REMARQUE :** Que vous installiez l'embout supérieur au moyen d'un maillet et d'un bloc de nylon ou à la main, appuyez toujours doucement directement sur chaque ancrage d'embout supérieur en prenant soin de ne pas trop forcer.

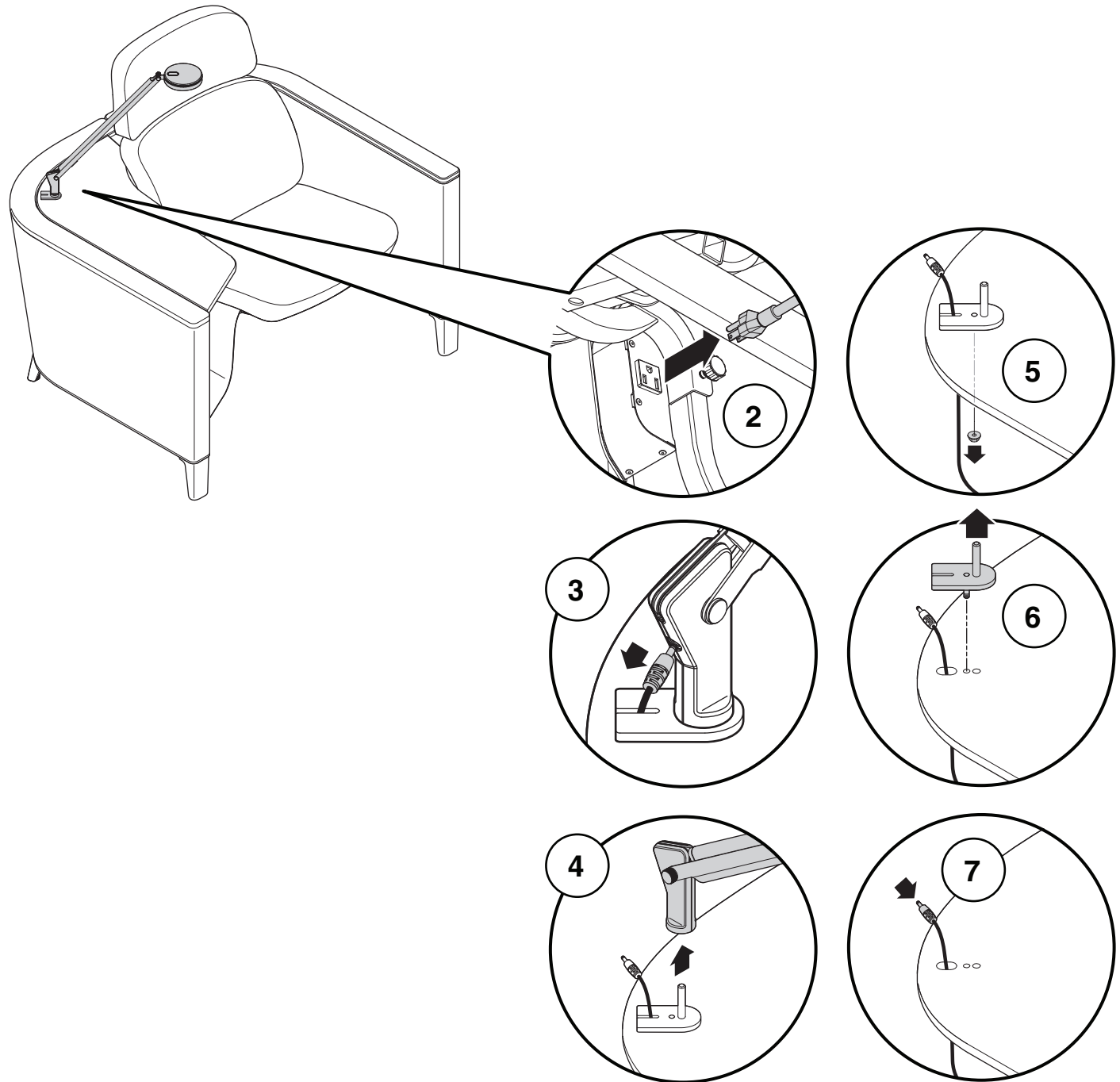
**12.** Au moyen de la méthode appropriée illustrée, enfoncez complètement les ancrages d'embout supérieur en commençant de chaque côté de la troisième patte, puis en vous dirigeant vers l'extrémité intérieure de l'embout.

Vous avez terminé lorsque les patins sont de niveau; il ne vous reste qu'à inspecter et nettoyer le fauteuil.



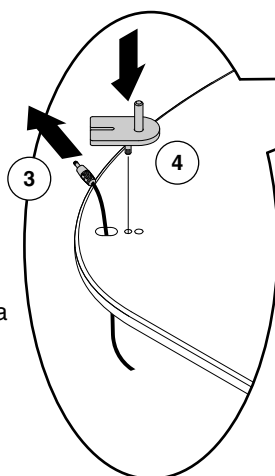
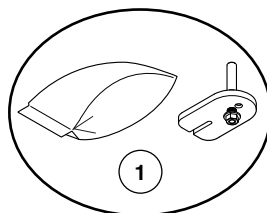
## Remplacement de la mini-lampe de travail

1. Placez le fauteuil Brody sur un tapis propre, résistant aux égratignures, de manière à avoir accès au dessous de la surface de travail.
2. Débranchez le cordon d'alimentation.
3. Retirez l'extrémité ronde du cordon d'alimentation de la mini-lampe de travail.
4. Retirez la mini-lampe de travail de la goupille du support de lampe.
5. Retirez l'écrou sous la surface de travail au moyen d'une clé à douille de 8 mm.
6. Retirez le support de lampe du trou dans la surface de travail.
7. Retirez l'extrémité ronde du cordon d'alimentation en la faisant passer dans la rainure de la surface de travail.

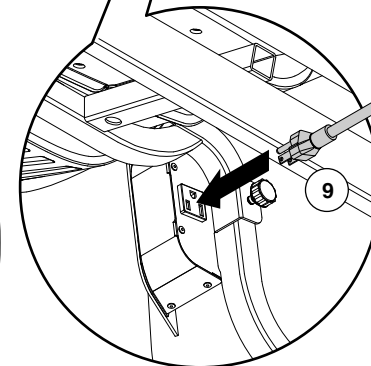
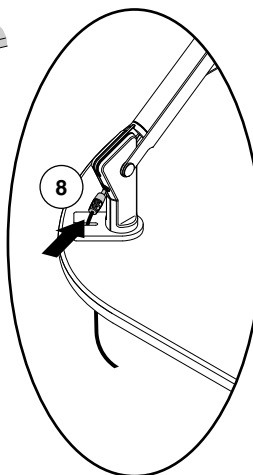
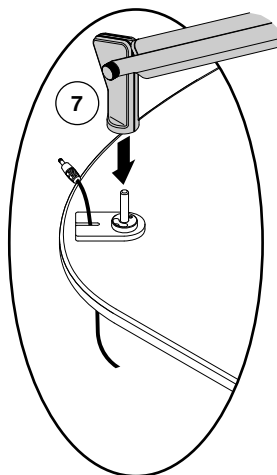
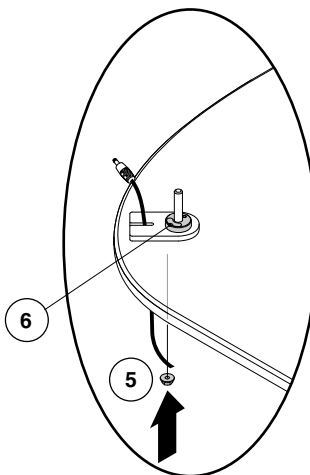


## Installation de la mini-lampe de travail sur un fauteuil Brody

1. Retirez tout le contenu de la boîte, notamment le support de la lampe avec l'écrou et le fil du câble.
2. Placez le fauteuil Brody sur un tapis propre, résistant aux égratignures, de manière à avoir accès au dessous de la surface de travail.
3. Faites passer l'extrémité ronde du cordon d'alimentation dans la rainure de la surface de travail.
4. Insérez le support de la lampe dans le trou de la surface de travail.
5. Serrez l'écrou par le dessous de la surface de travail au moyen d'une clé à douille de 8 mm.
6. Faites glisser le disque antirotation sur le poteau du support de la lampe en vous servant des languettes d'alignement pour bien l'asseoir sur le support.
7. Installez la mini lampe de travail sur la tige du support de la lampe en vous assurant que la vis au bas du bras de la lampe est insérée dans la pochette du disque antirotation.
8. Installez l'extrémité ronde du cordon d'alimentation dans la mini lampe de travail.
9. Branchez le cordon d'alimentation de la mini-lampe de travail dans la prise du bloc d'alimentation

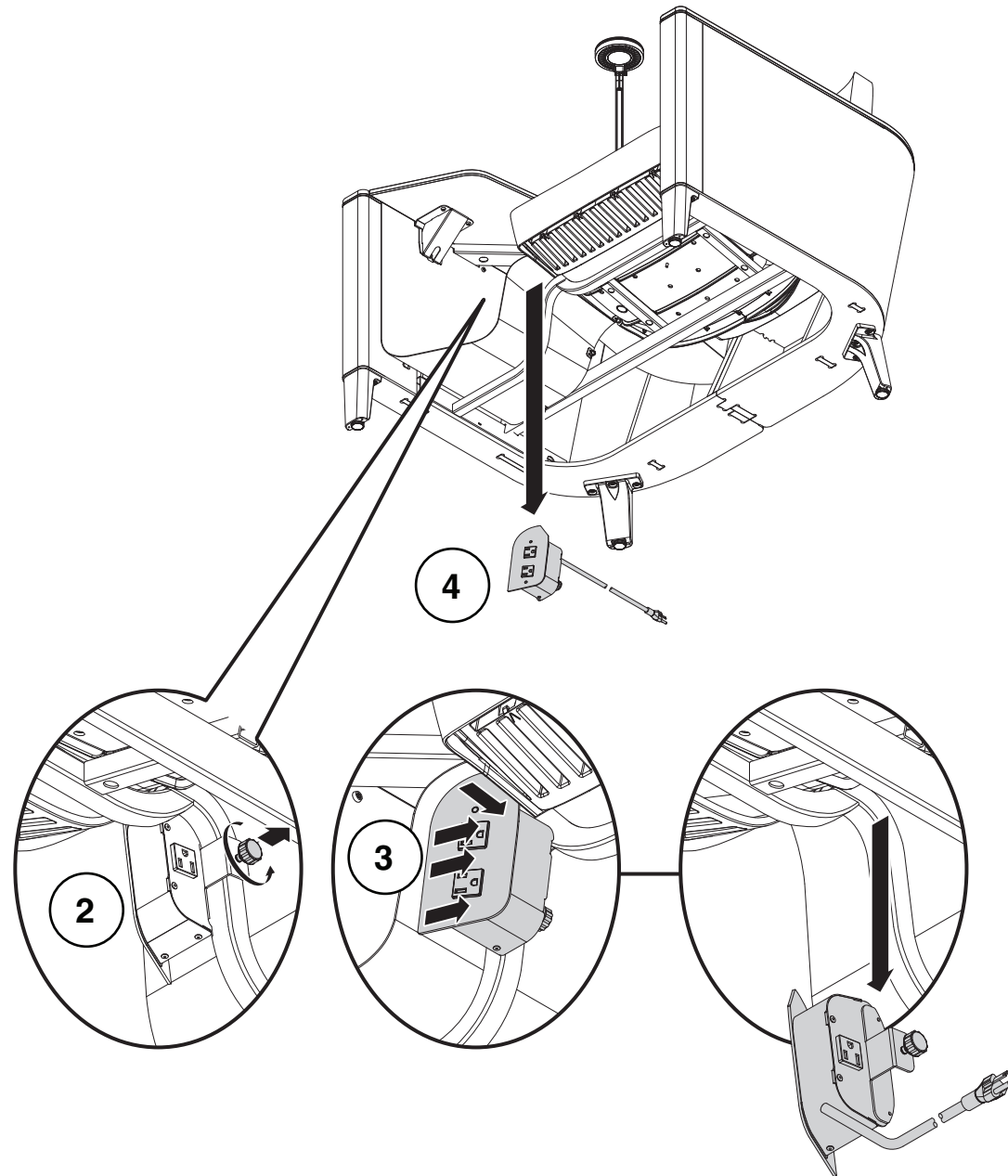


**TRUC :** Assurez-vous que la vis est bien alignée avec la pochette du disque antirotation.



## Remplacement du bloc d'alimentation

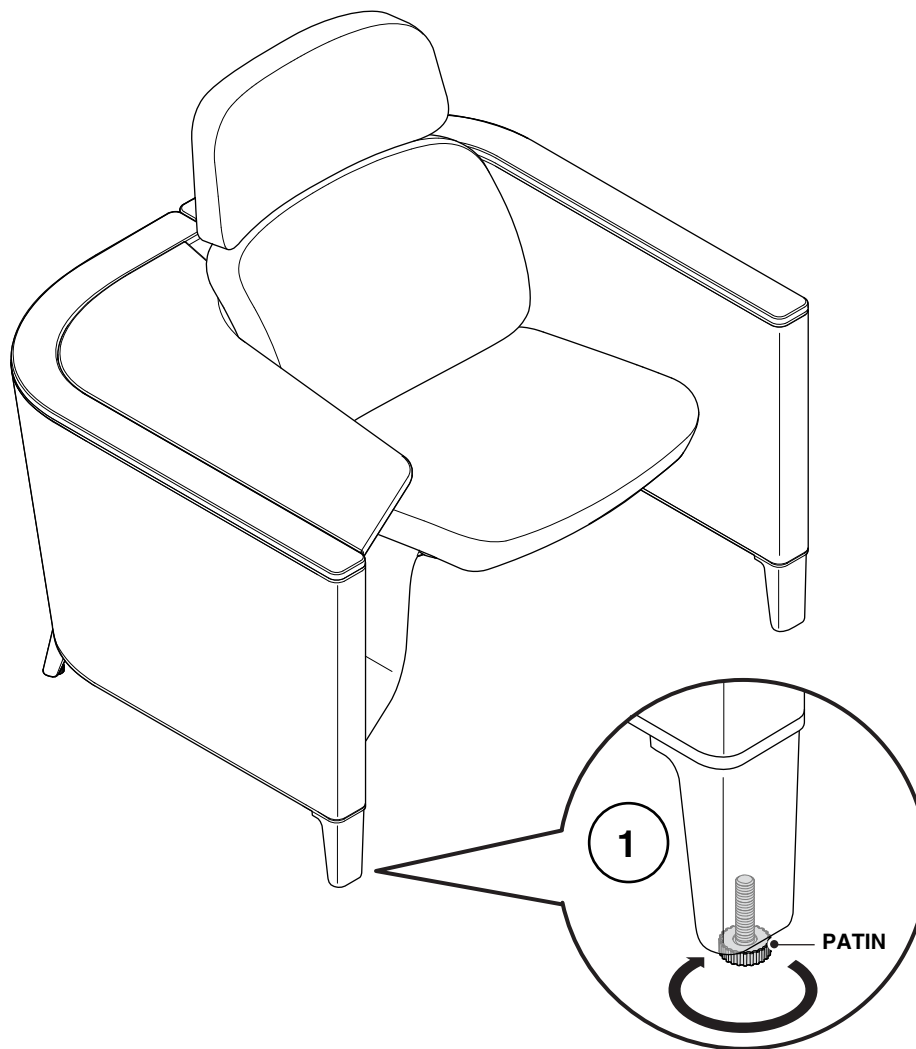
1. Débranchez la mini-lampe de travail de la prise de courant.
2. Desserrez le pommeau à l'arrière du bloc d'alimentation sur le cadre du fauteuil Brody.
3. Retirez le bloc d'alimentation de la pince en C.
4. Retirez le bloc d'alimentation.
5. Enlevez les attache-câble qui fixe le cordon en excès au cadre du fauteuil Brody.
6. Pour installer le bloc d'alimentation de rechange, inversez les étapes 1 à 5.





## Réglage des patins

- 1.** Après avoir vissé complètement (sens horaire) les patins dans la patte, faites doucement osciller le fauteuil en observant et en écoutant le mouvement.
- 2.** Si le fauteuil bouge, remettez-le sur le sol et localisez le patin qui n'est pas en contact avec le sol lorsque le fauteuil est au sol.
- 3.** Faites tourner ce patin dans le sens antihoraire jusqu'à ce que le patin soit en contact avec le sol et que le fauteuil soit stable.





## Remplacement de la surface de travail personnelle

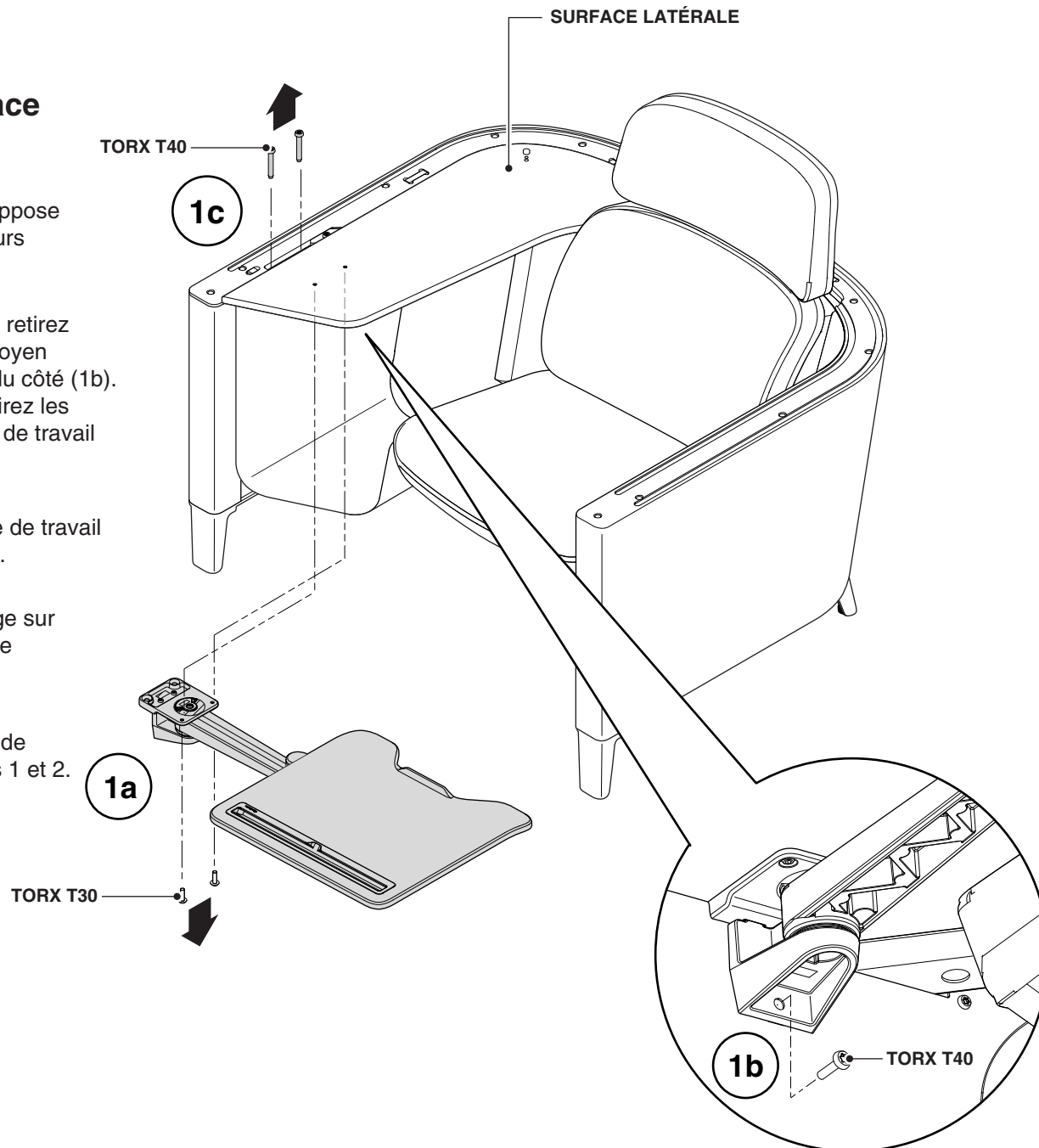
**REMARQUE :** Pour cette étape, on suppose que les écrans et les embouts supérieurs ont déjà été retirés.

**1.** Au moyen d'un embout TORX T30, retirez les deux (2) vis du dessous (1a). Au moyen d'un embout TORX T40, retirez la vis du côté (1b). Au moyen d'un embout TORX T40, retirez les deux (2) vis du dessus, puis la surface de travail personnelle (1c).

**2.** Faites doucement glisser la surface de travail personnelle de sous la surface latérale.

**REMARQUE :** Ne mettez pas de charge sur la surface latérale une fois la surface de travail personnelle retirée.

**3.** Pour installer une nouvelle surface de travail personnelle, inversez les étapes 1 et 2.



## Remplacement de la surface de travail personnelle avec couvercles

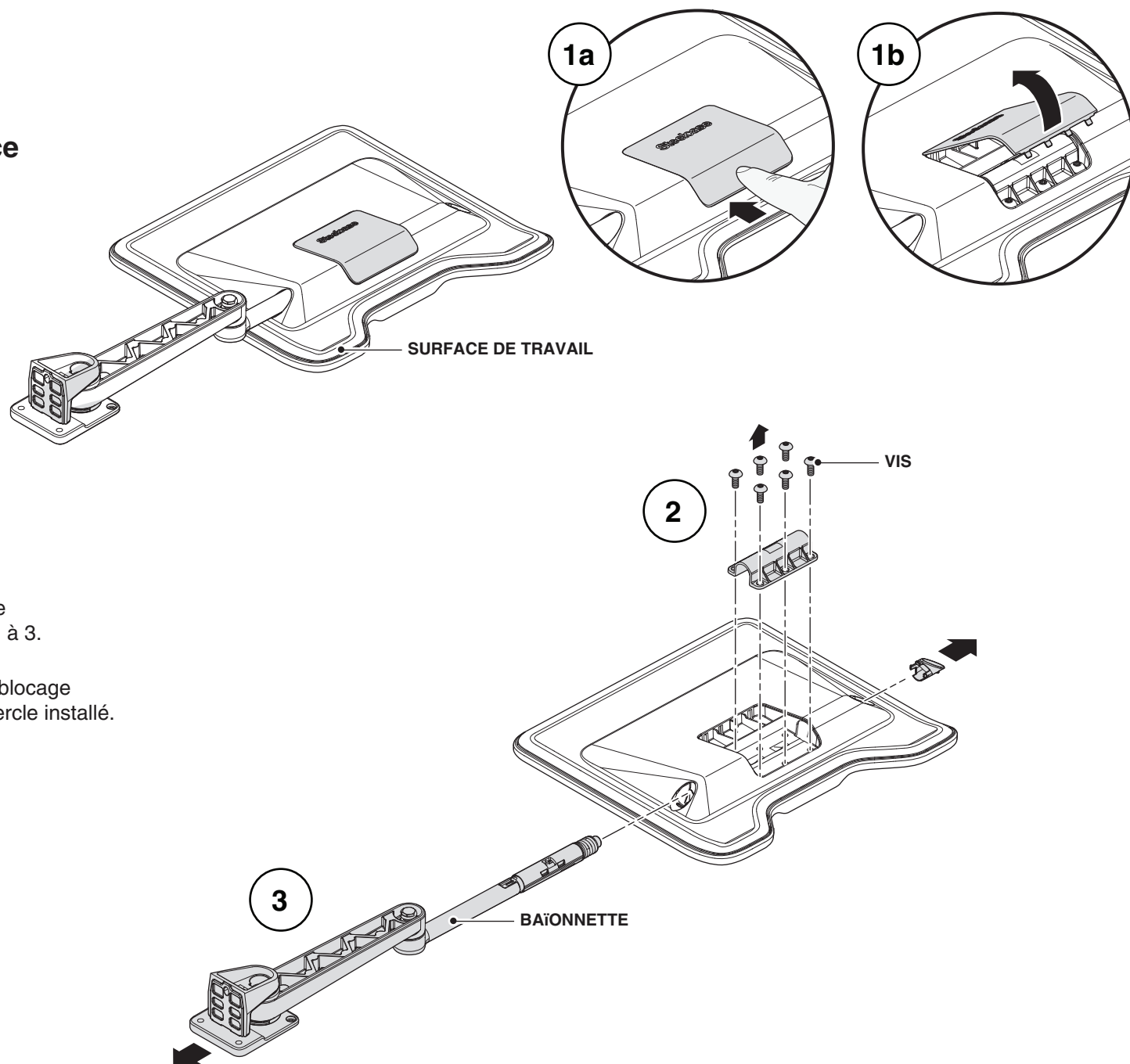
**1.** Appuyez vers l'intérieur sur le rebord inférieur du couvre-vis pour dégager les croches, puis faites-le tourner vers l'extérieur pour le retirer (1b).

**2.** Au moyen d'un embout TORX T40, retirez les six vis qui retiennent la surface de travail personnelle.

**3.** Faites glisser le bras à baïonnette hors de la surface de travail personnelle.

**4.** Pour installer une nouvelle surface de travail personnelle, inversez les étapes 1 à 3.

**REMARQUE :** Aucune des goupilles de blocage ne devrait être exposée une fois le couvercle installé.



## Remplacement de la surface latérale

**1.** Au moyen d'une clé Allen de 4mm, desserrez les quatre (4) vis M6 qui fixent la surface latérale au cadre et à la surface de travail personnelle.

**2.** Tirez la surface latérale vers l'avant du fauteuil d'environ 3/4 po pour désenclencher les supports en Z de la paroi en bois.

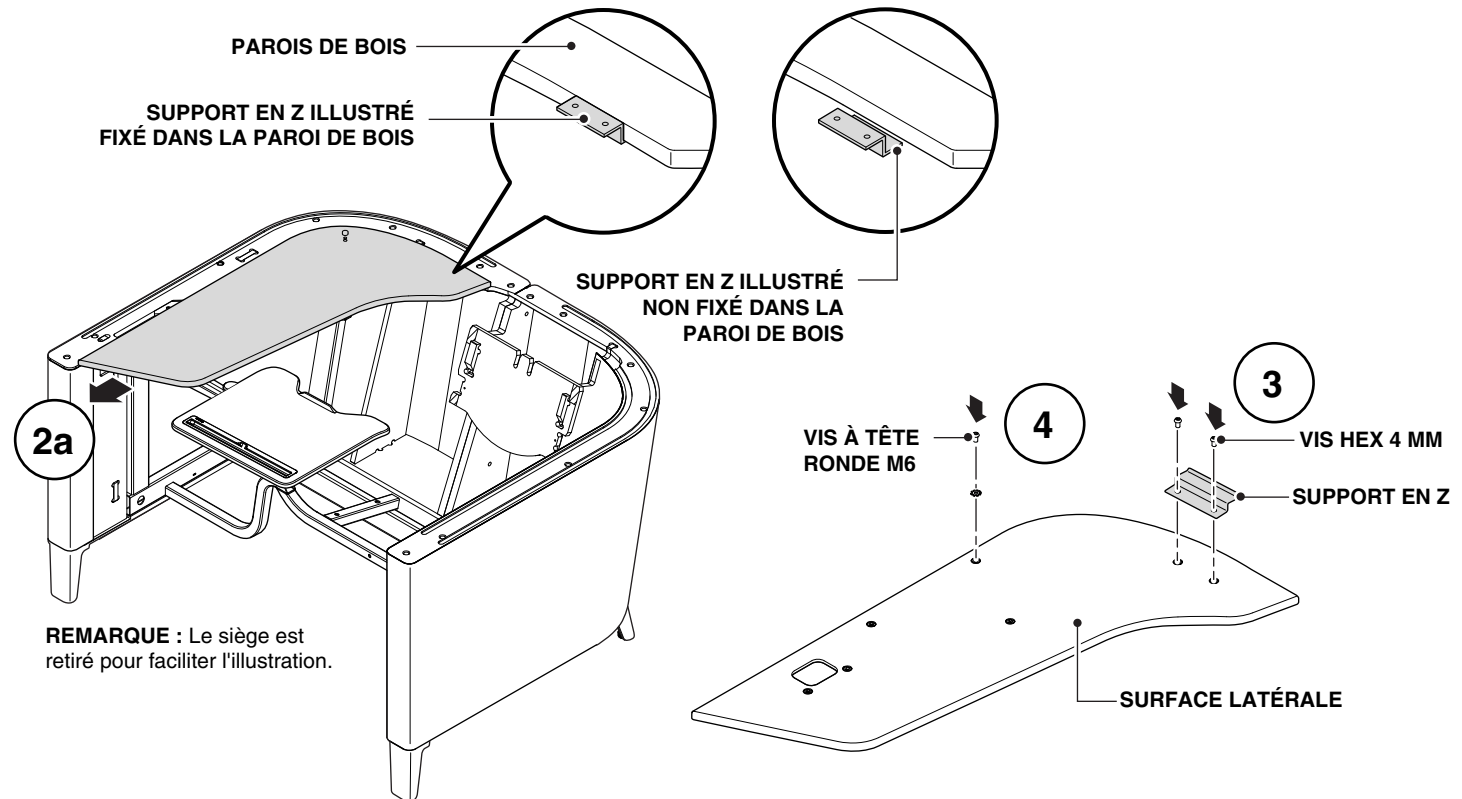
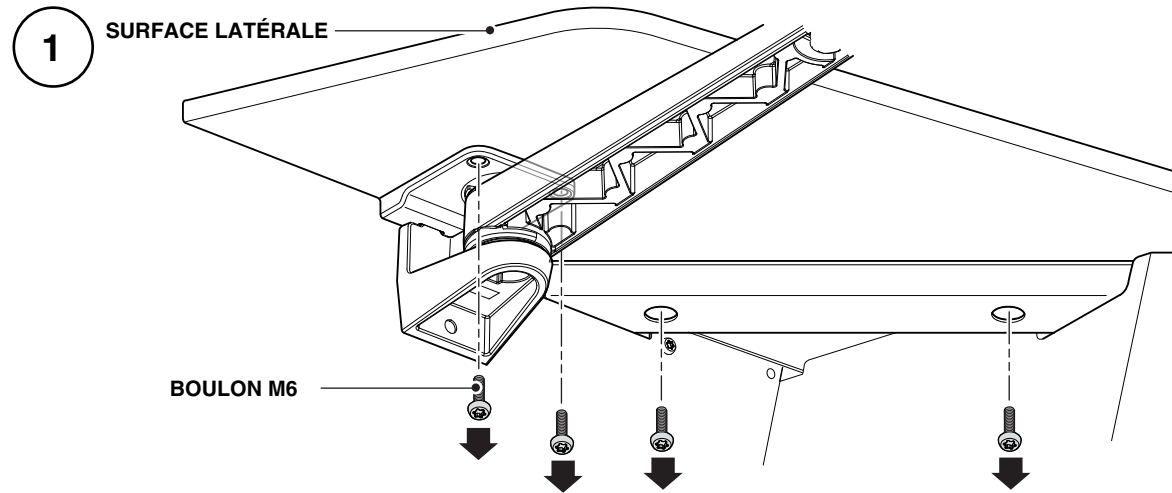
## Remplacement de la surface latérale

**3.** Au moyen d'une clé Allen de 4 mm, fixez le support en Z arrière de sorte que le côté ouvert soit face à l'arrière, comme illustré.

**4.** Au moyen d'une clé Allen de 5 mm, fixez la vis à tête ronde M6 et la rondelle en étoile à la douille taraudée la plus à l'extérieur.

**REMARQUE :** Si une mini-lampe de travail doit être installée, il est plus facile de mettre en place son support dès maintenant, avant de fixer la surface latérale au fauteuil.

**5.** Pour installer une nouvelle surface latérale, inversez les étapes 1 à 3.



**REMARQUE :** Le siège est retiré pour faciliter l'illustration.

## Remplacement du support de la surface de travail non personnelle

**1.** Insérez doucement un levier étroit ou un petit couteau à mastic entre l'embout supérieur et la paroi inférieure, en faisant bien attention de ne pas endommager le rembourrage.

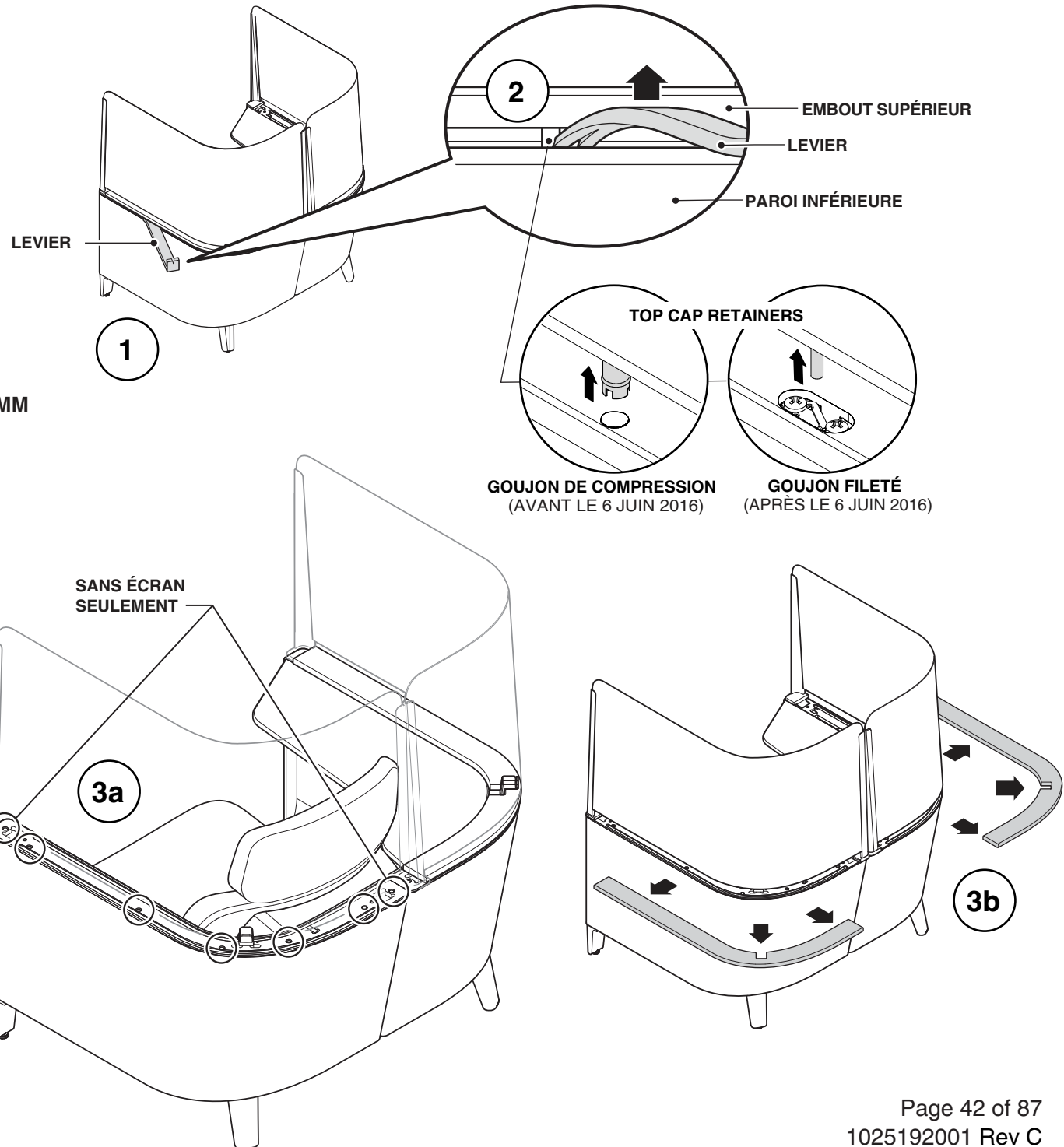
**NE SOULEVEZ PAS L'EMBOU À PLUS DE 25 MM (1 PO) D'UN ANCRAGE D'EMBOU CAR CELA ENDOMMAGERAIT L'EMBOU SUPÉRIEUR.**

**2.** Recherchez les emplacements des ancrages de l'embout supérieur. Au moyen du levier, soulevez doucement l'embout vis-à-vis chacun des ancrages.

**REMARQUE :** Le modèle avec écran comporte seulement 5 ancrages d'embout, mais le modèle sans écran en comporte 7 pour chaque embout supérieur.

**REMARQUE :** Il existe eux types d'ancrage, comme illustré. Le retrait de l'embout supérieur au moyen d'un levier s'applique aux deux types d'ancrage.

**3.** Déplacez-vous sur toute la longueur de chaque embout, jusqu'à ce qu'il soit dégagé de tous les ancrages. Retirez les embouts supérieurs (3b).



REMARQUE : La surface latérale est retirée aux fins de l'illustration.

## Remplacement du support de la surface de travail non personnelle (suite)

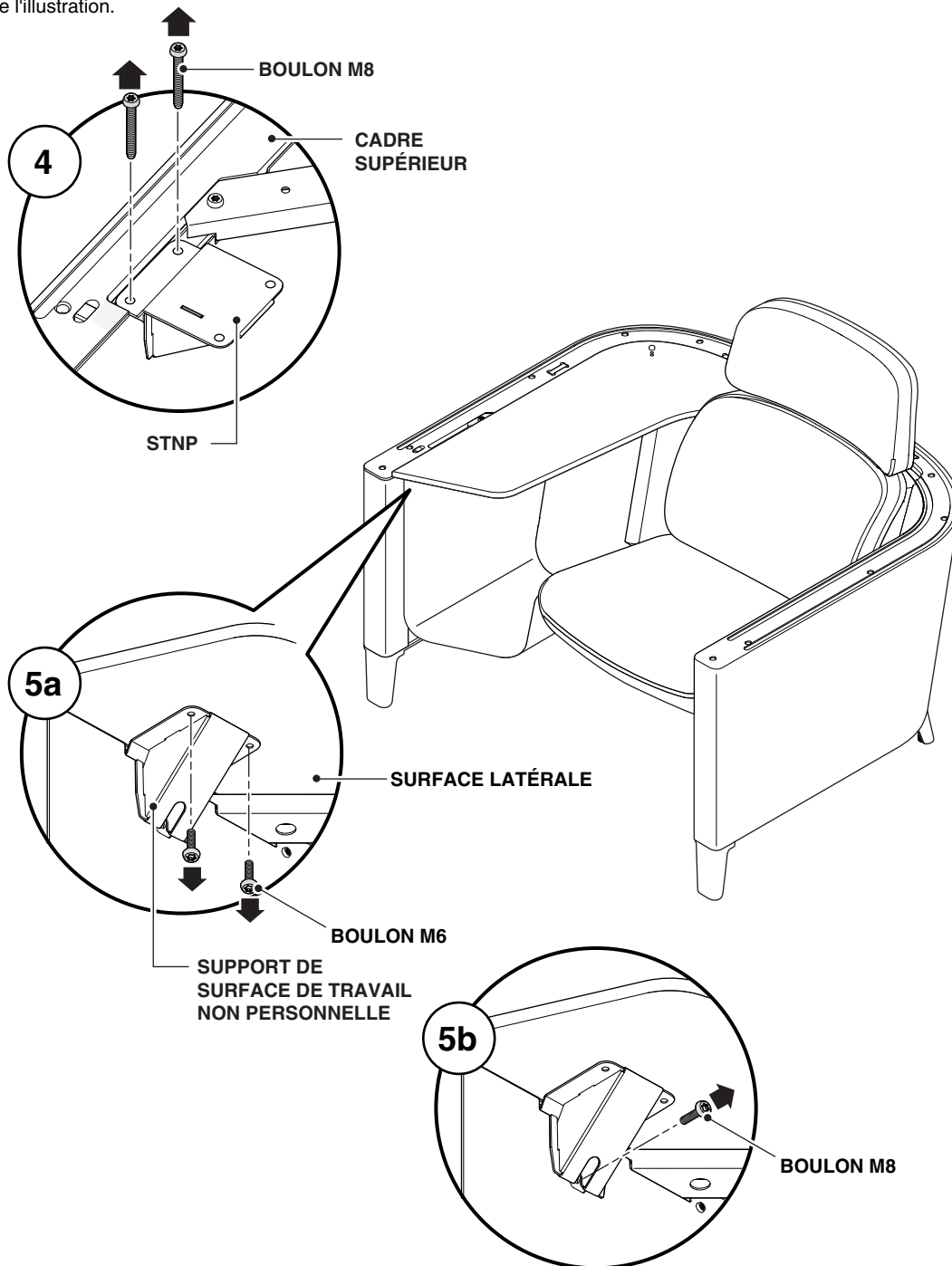
**4.** Au moyen d'une clé Allen de 6 mm, retirez les deux boulons M8 qui fixent la surface latérale au cadre supérieur de la surface de travail personnelle.

**5.** Au moyen d'un embout TORX T40, retirez les deux boulons M6 (5a) et le boulon M8 (5b) qui fixent la surface de travail personnelle au cadre d'acier.

**6.** Faites doucement glisser la surface de travail personnelle de sous la surface latérale.

**REMARQUE :** Ne mettez pas de charge sur la surface latérale une fois la surface de travail personnelle retirée.

**7.** Pour installer un nouveau support, inversez les étapes 5 à 6.



## Remplacement du support de la surface de travail non personnelle (suite)

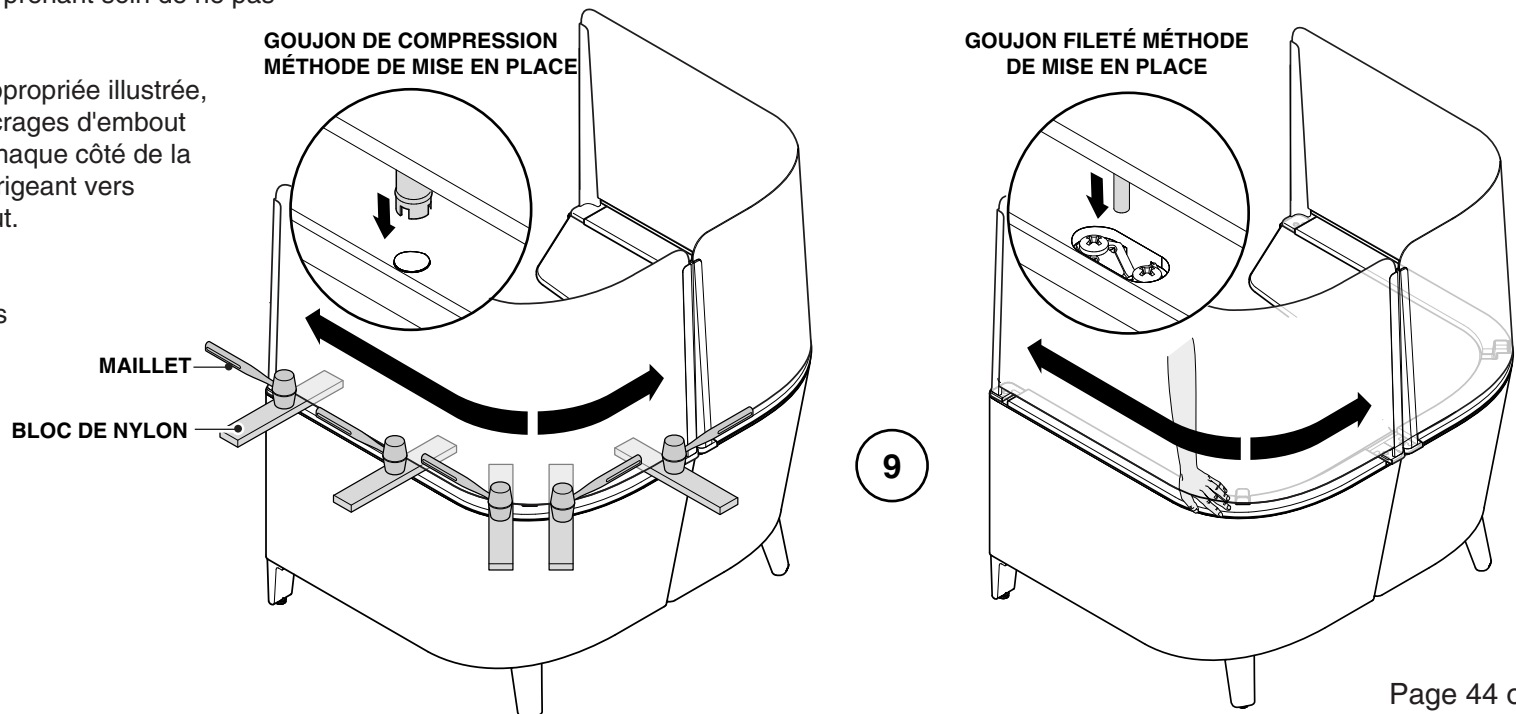
**REMARQUE :** Pour éviter d'endommager le produit, déterminez le type d'ancrage d'embout supérieur utilisé, puis consultez la méthode d'installation appropriée des ancrages illustrée.

**8.** Placez les ancrages d'embout entre l'écran et la base. Localisez les ancrages (goujon de compression ou goujon fileté) dans les trous ou les agrafes de la base. Poussez d'abord doucement sur les ancrages pour les insérer dans la base.

**REMARQUE :** Que vous installiez l'embout supérieur au moyen d'un maillet et d'un bloc de nylon ou à la main, appuyez toujours doucement directement sur chaque ancrage d'embout supérieur en prenant soin de ne pas trop forcer.

**9.** Au moyen de la méthode appropriée illustrée, enfoncez complètement les ancrages d'embout supérieur en commençant de chaque côté de la troisième patte, puis en vous dirigeant vers l'extrémité intérieure de l'embout.

Vous avez terminé lorsque les patins sont de niveau; il ne vous reste qu'à inspecter et nettoyer le fauteuil.



## Remplacement de l'écran visuel

**1.** Insérez doucement un levier étroit ou un petit couteau à mastic entre l'embout supérieur et la paroi inférieure, en faisant bien attention de ne pas endommager le rembourrage.

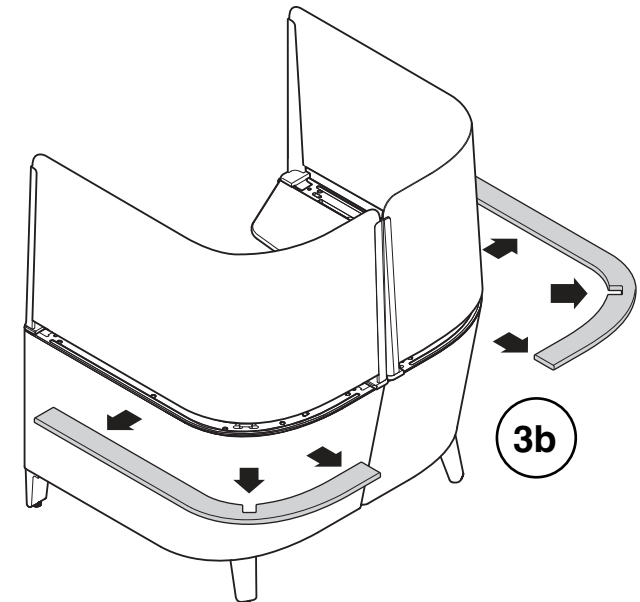
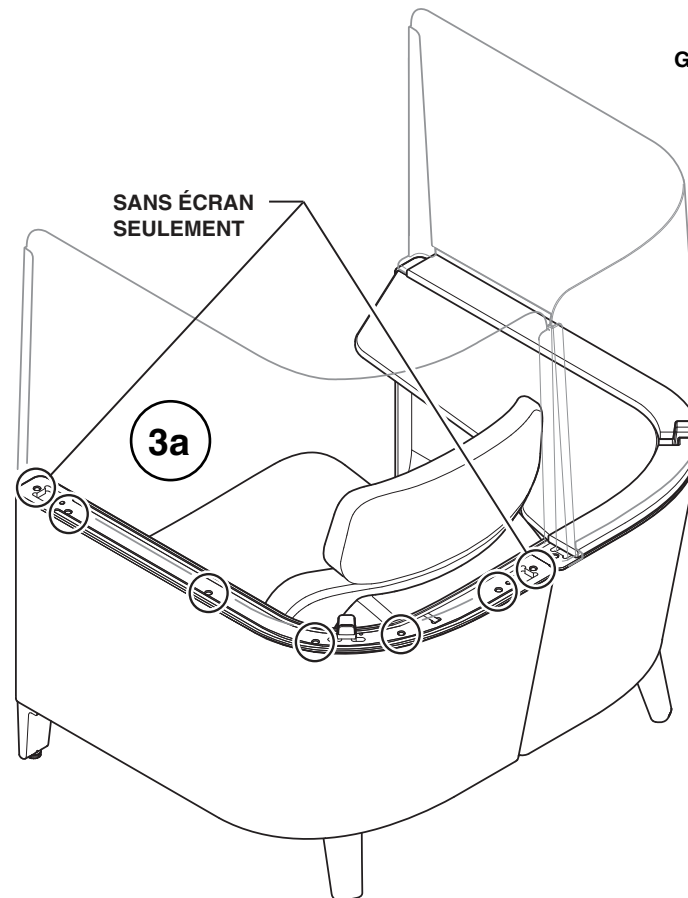
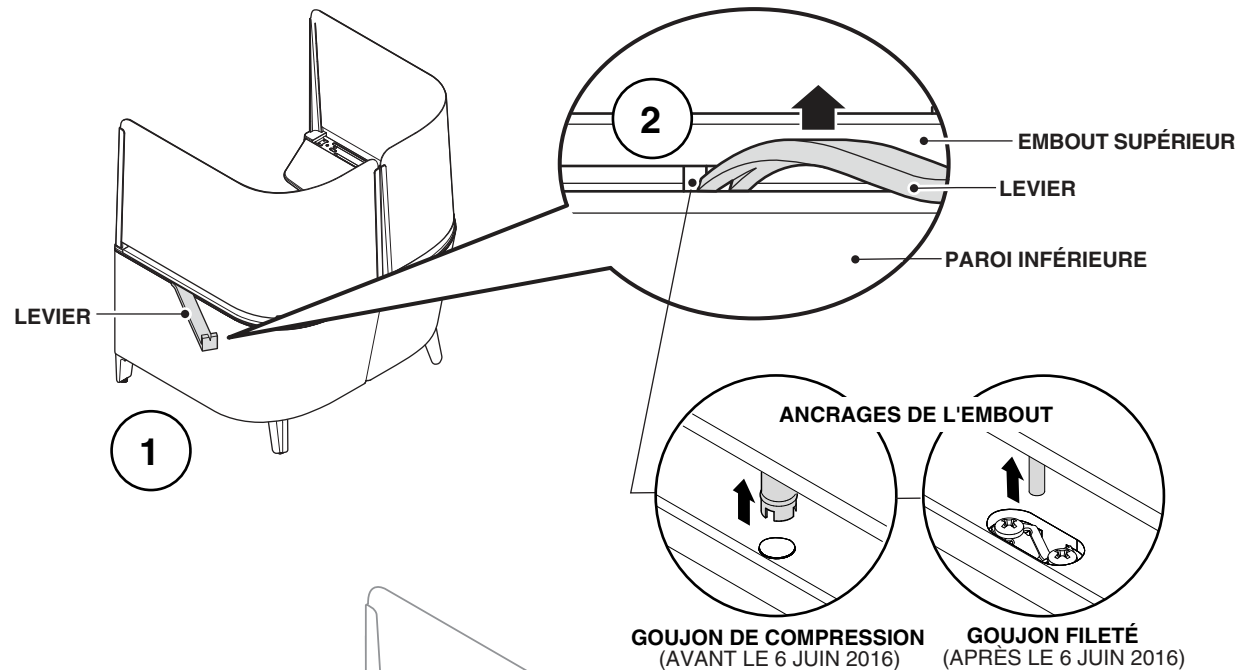
**NE SOULEVEZ PAS L'EMBOUT À PLUS DE 25 MM (1 PO) D'UN ANCRAGE D'EMBOUT CAR CELA ENDOMMAGERAIT L'EMBOUT SUPÉRIEUR.**

**2.** Recherchez les emplacements des ancrages de l'embout supérieur. Au moyen du levier, soulevez doucement l'embout vis-à-vis chacun des ancrages.

**REMARQUE :** Le modèle avec écran comporte seulement 5 ancrages d'embout, mais le modèle sans écran en comporte 7 pour chaque embout supérieur.

**REMARQUE :** Il existe deux types d'ancrage, comme illustré. Le retrait de l'embout supérieur au moyen d'un levier s'applique aux deux types d'ancrage.

**3.** Déplacez-vous sur toute la longueur de chaque embout, jusqu'à ce qu'il soit dégagé de tous les ancrages. Retirez les embouts supérieurs (3b).



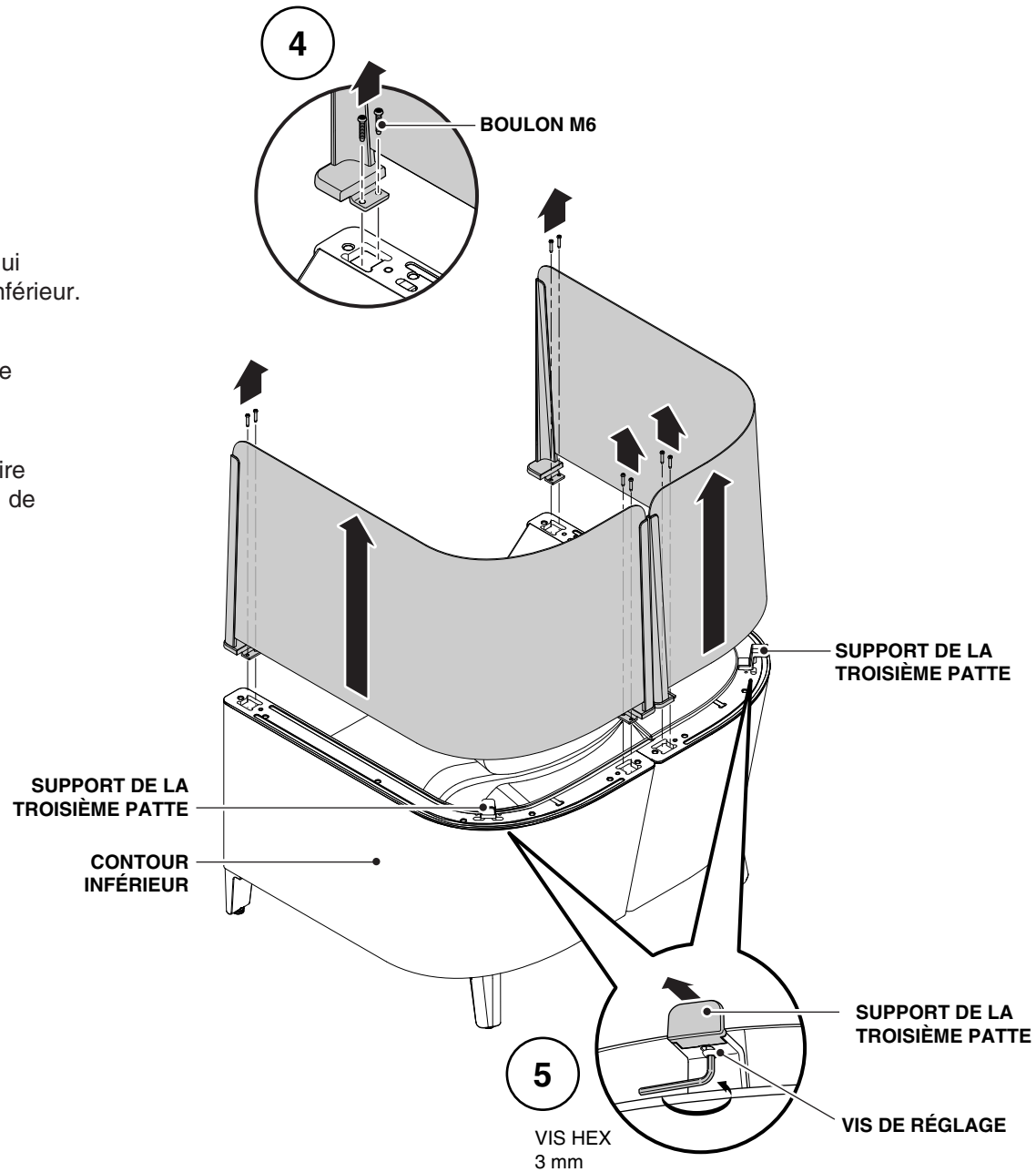


## Remplacement de l'écran visuel (suite)

4. Retirez les huit (8) boulons M6 qui fixent la base du cadre au contour inférieur.

5. Desserrez la vis de réglage sur le troisième support de patte.

6. Deux (2) personnes devraient faire doucement pivoter l'écran sur le sol, de sorte qu'il soit à l'envers.





## Remplacement de l'écran visuel (suite)

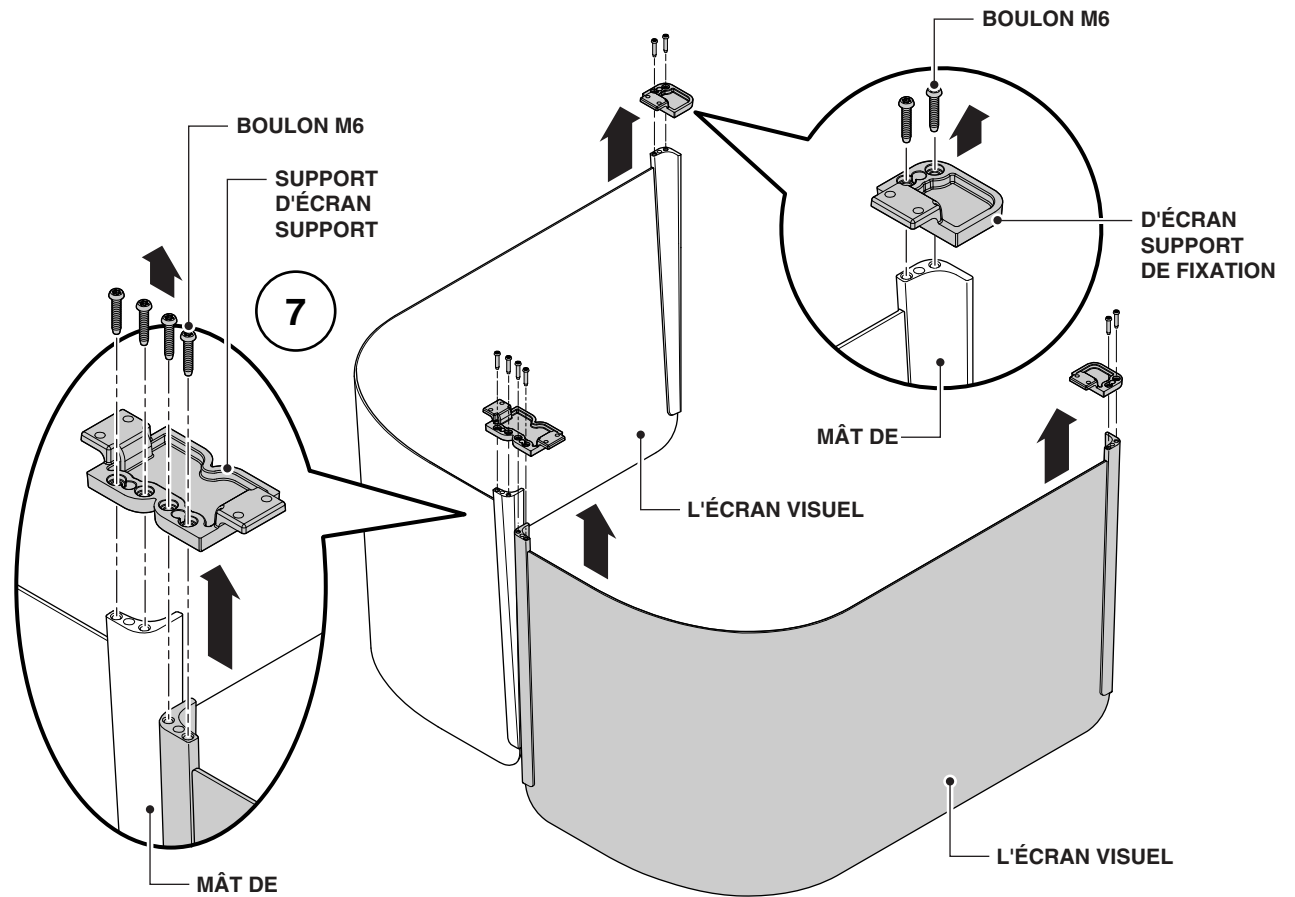
**7.** Retirez les huit (8) boulons M6 qui fixent les supports du porte-écran aux mâts.

**SI L'ÉCRAN EST REMBOURRÉ, PASSEZ À L'ÉTAPE 13.**

**8.** Desserrez la vis de réglage qui fixe l'écran en place.

**9.** Retirez doucement l'écran d'acrylique en faisant glisser le mat du cadre hors de la dent à l'intérieur du cadre.

**10.** Remettez en place l'écran d'acrylique en faisant glisser le mat du cadre sur l'écran et en inversant les étapes 7 et 8.

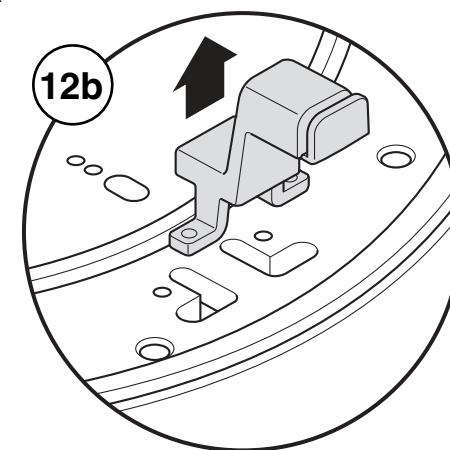
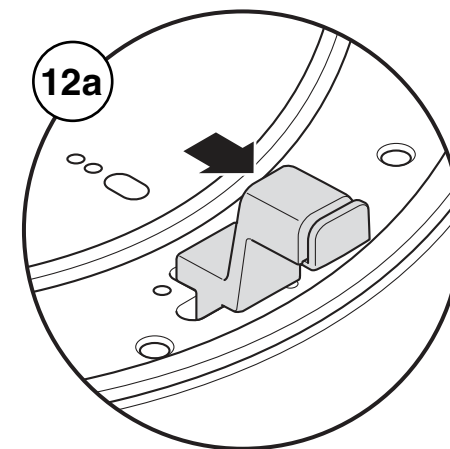
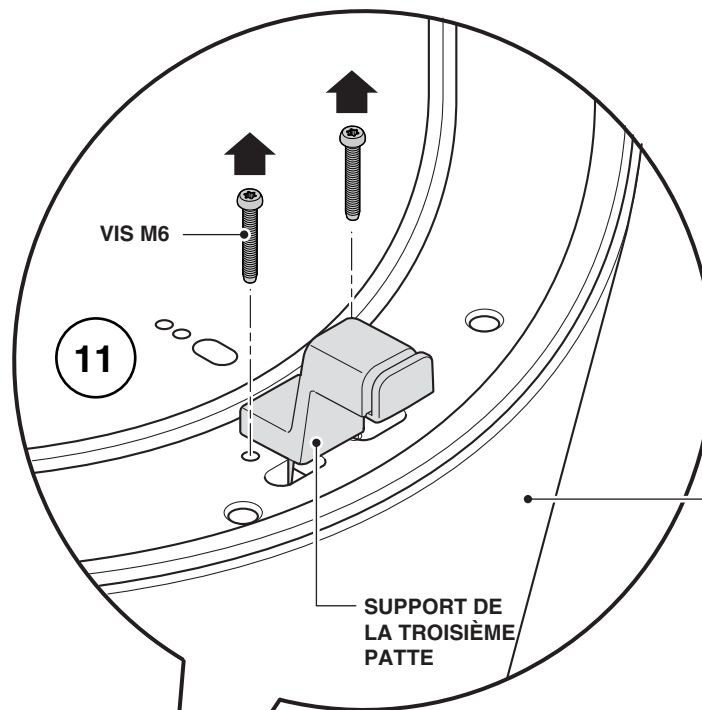
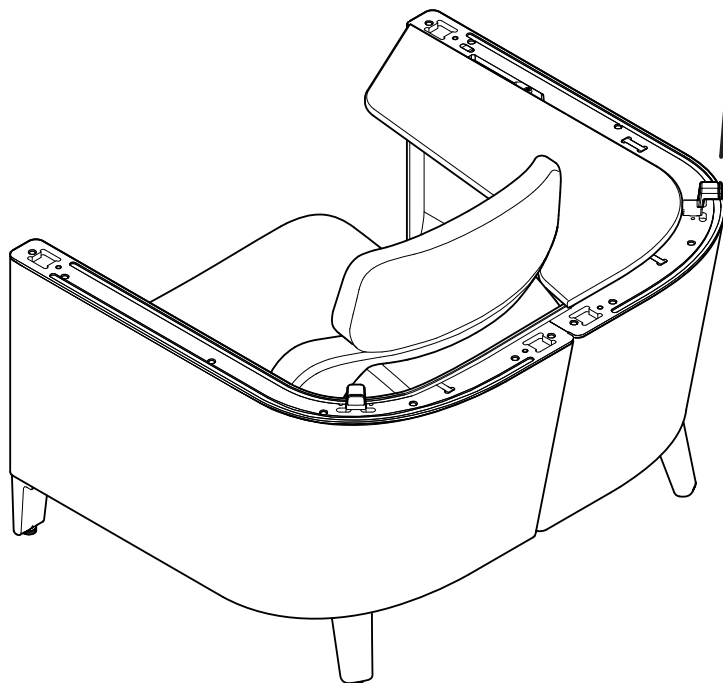


## Remplacement de l'écran visuel (suite)

**11.** Si le support de la troisième patte doit être remplacé, commencez par retirer les deux (2) vis M6 qui le fixent au contour inférieur.

**12.** Poussez le cadre vers l'arrière du fauteuil (12a), puis tirez le coude à travers les rainures de la paroi inférieure (12b).

**13.** Pour installer un support de troisième patte de rechange, inversez les étapes 11 et 12.



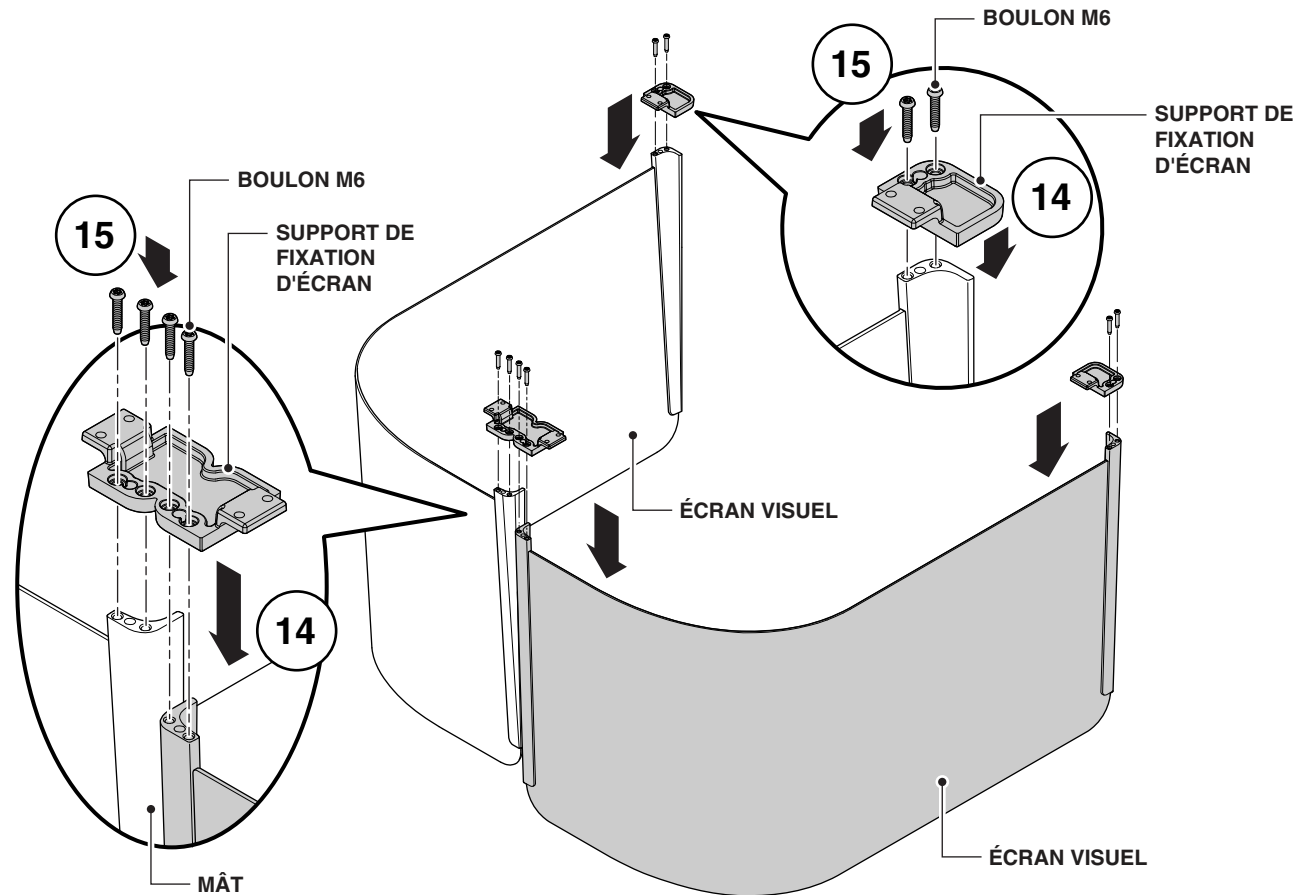
## Remplacement de l'écran visuel (suite)

**14.** Placez le support de fixation d'écran sur les cornières d'aluminium.

**15.** Fixez les supports de fixation d'écran aux cornières d'aluminium en utilisant deux (2) boulons M6 par cornière au moyen d'une mèche à six lobes T30.

**REMARQUE : NE SERREZ PAS** à fond les boulons pour éviter d'endommager les filets.

**16.** Installez le nouvel écran sur la base en inversant les étapes 4 à 6.



## Remplacement de l'écran visuel (suite)

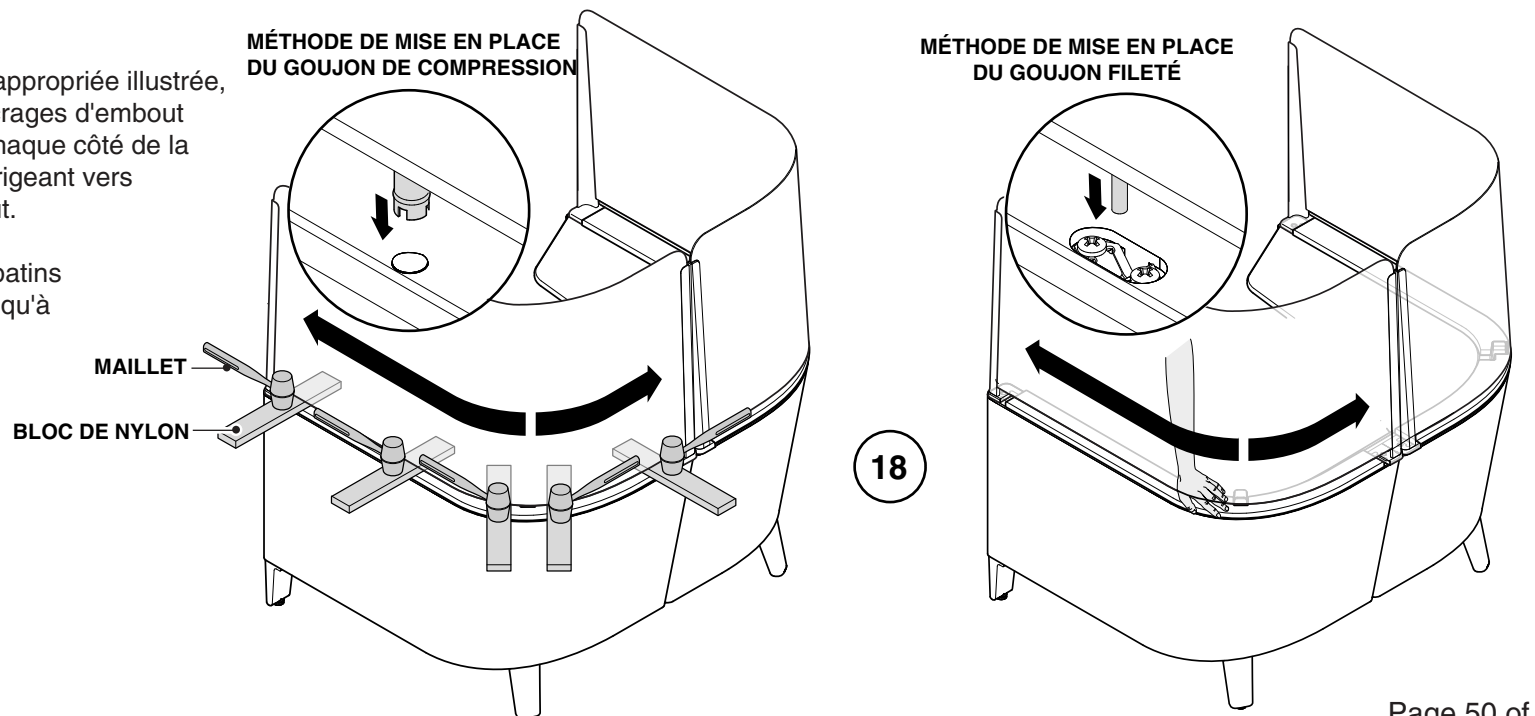
**REMARQUE :** Pour éviter d'endommager le produit, déterminez le type d'ancrage d'embout supérieur utilisé, puis consultez la méthode d'installation appropriée des ancrages illustrée.

**17.** Placez les ancrages d'embout entre l'écran et la base. Localisez les ancrages (goujon de compression ou goujon fileté) dans les trous ou les agrafes de la base. Poussez d'abord doucement sur les ancrages pour les insérer dans la base.

**REMARQUE :** Que vous installiez l'embout supérieur au moyen d'un maillet et d'un bloc de nylon ou à la main, appuyez toujours doucement directement sur chaque ancrage d'embout supérieur en prenant soin de ne pas trop forcer.

**18.** Au moyen de la méthode appropriée illustrée, enfoncez complètement les ancrages d'embout supérieur en commençant de chaque côté de la troisième patte, puis en vous dirigeant vers l'extrémité intérieure de l'embout.

Vous avez terminé lorsque les patins sont de niveau; il ne vous reste qu'à inspecter et nettoyer le fauteuil.



## Remplacement de la garniture supérieure

**1.** Insérez doucement un petit levier ou une barre à mastic entre l'embout supérieur et la paroi inférieure, en prenant soin de ne pas endommager le garnissage.

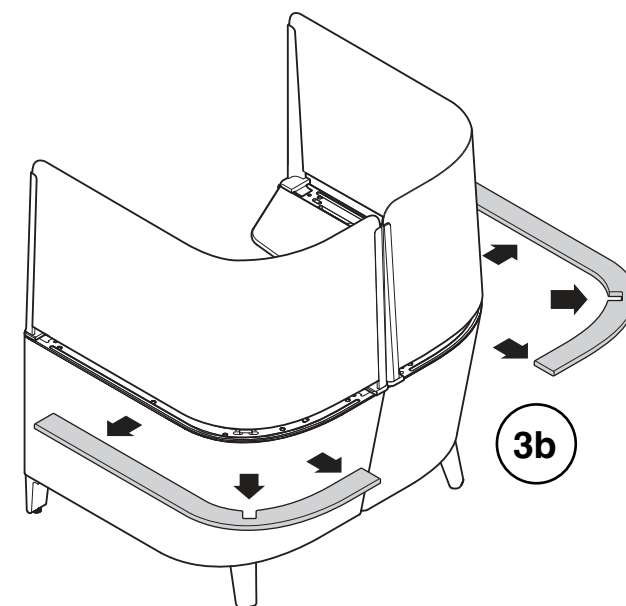
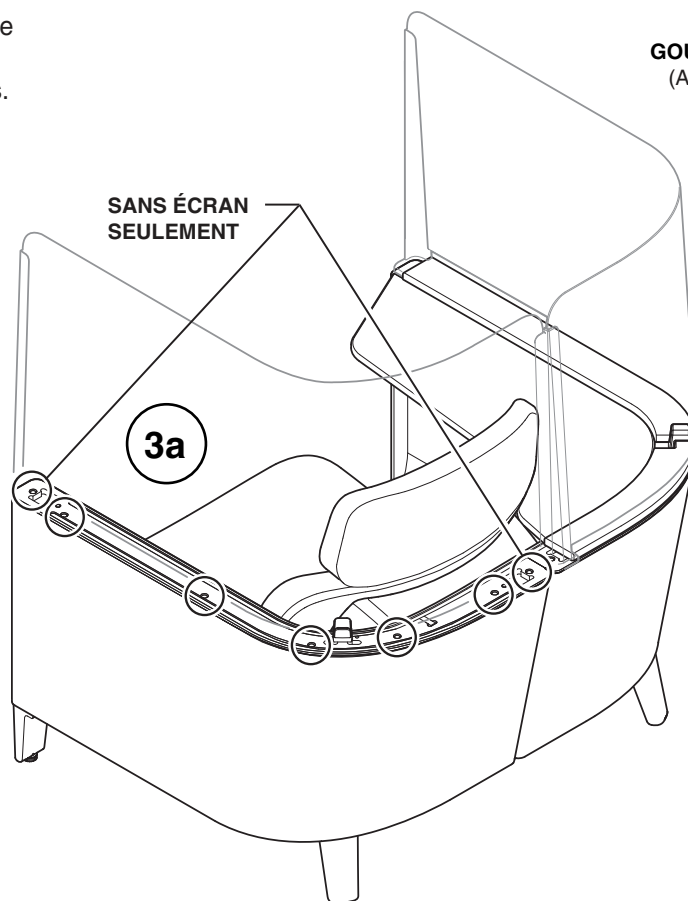
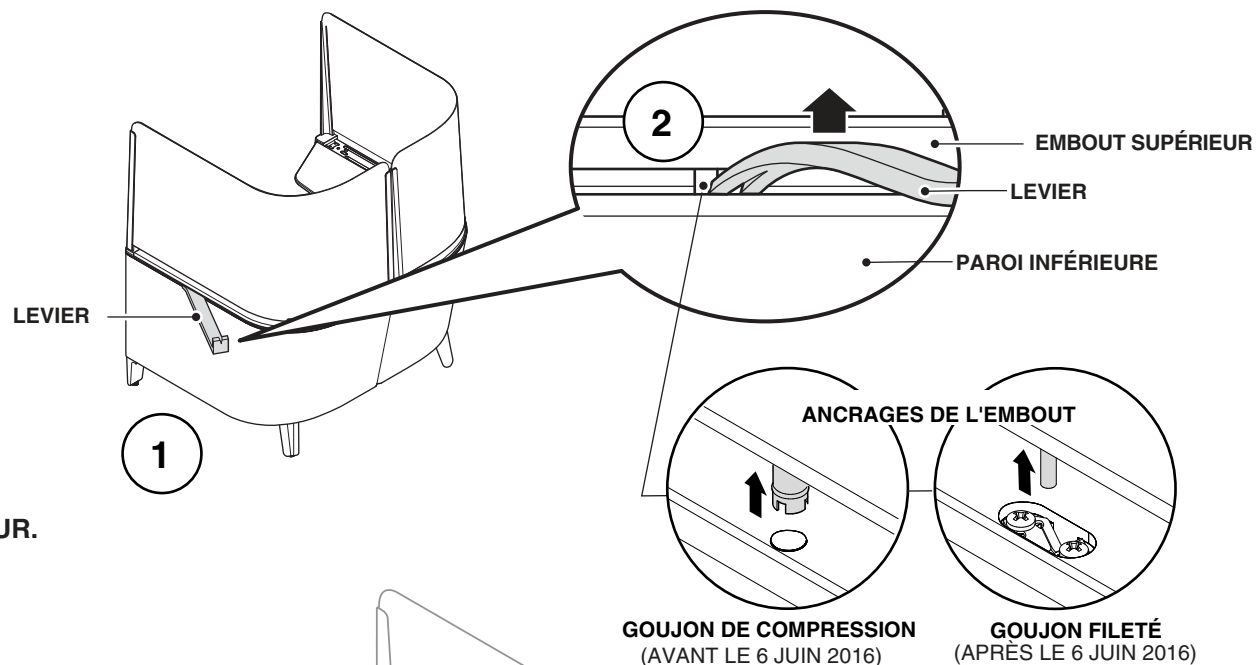
**NE SOULEVEZ PAS L'EMBOUT À PLUS DE 25 MM (1 PO) D'UN ANCRAGE D'EMBOUT CAR CELA ENDOMMAGERAIT L'EMBOUT SUPÉRIEUR.**

**2.** Recherchez les emplacements des ancrages de l'embout supérieur. Au moyen du levier, soulevez doucement l'embout vis-à-vis chacun des ancrages.

**REMARQUE :** Le modèle avec écran comporte seulement 5 ancrages d'embout, mais le modèle sans écran en comporte 7 pour chaque embout supérieur.

**REMARQUE :** Il existe deux types d'ancrage, comme illustré. Le retrait de l'embout supérieur au moyen d'un levier s'applique aux deux types d'ancrage.

**3.** Déplacez-vous sur toute la longueur de chaque embout, jusqu'à ce qu'il soit dégagé de tous les ancrages. Retirez les embouts supérieurs (3b).



## Remplacement de la garniture supérieure (suite)

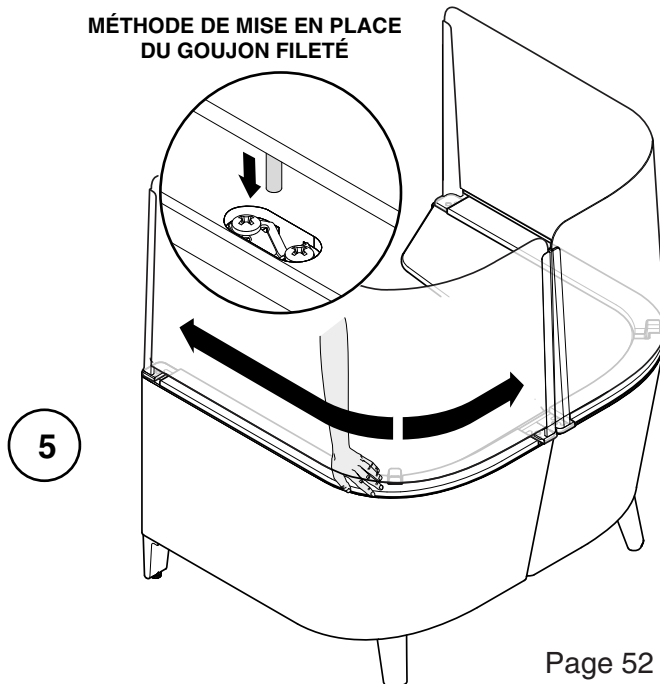
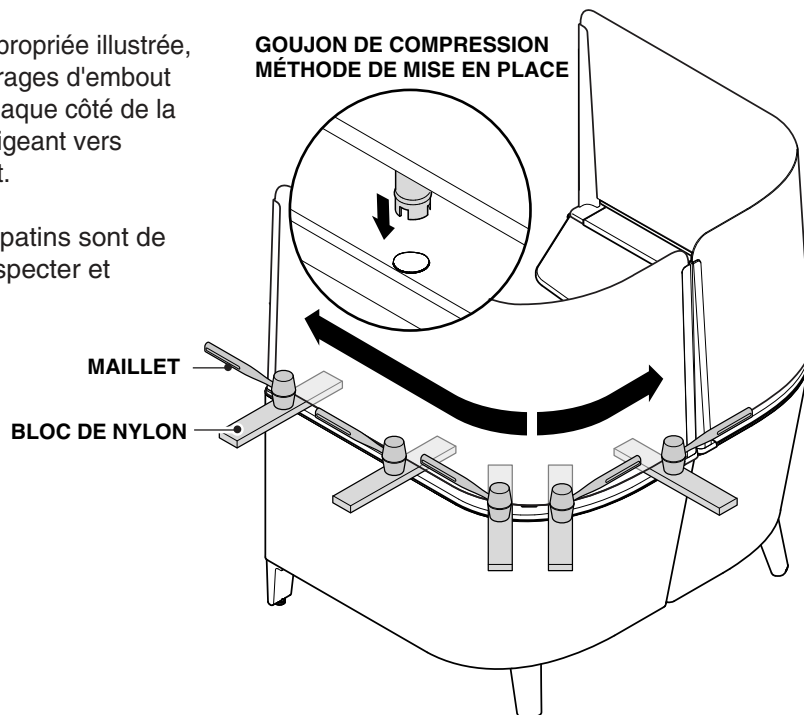
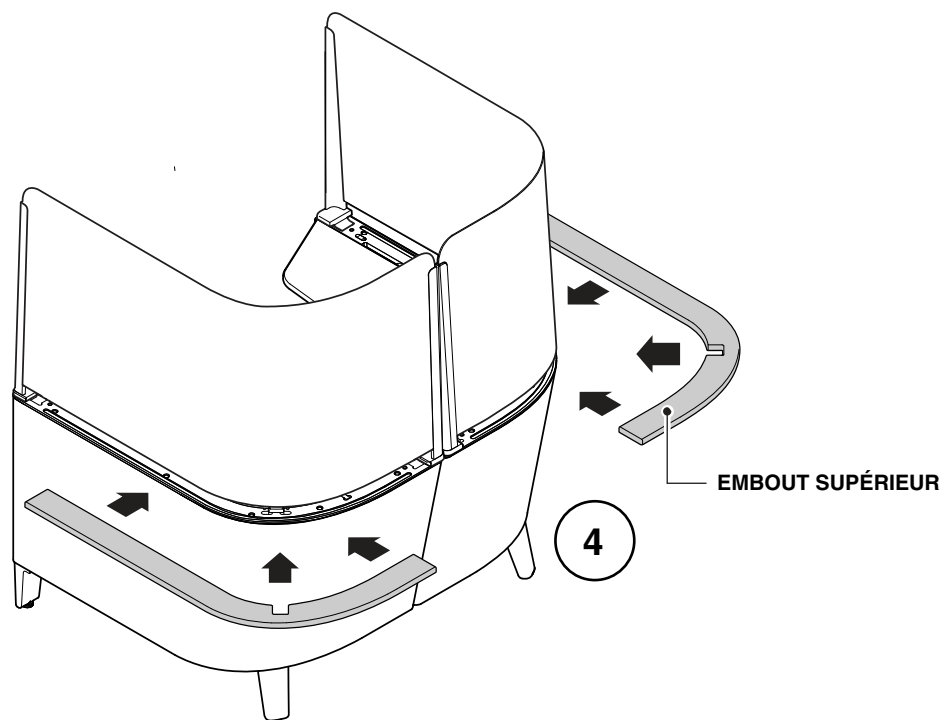
**REMARQUE :** Pour éviter d'endommager le produit, déterminez le type d'ancrage d'embout supérieur utilisé, puis consultez la méthode d'installation appropriée des ancrages illustrée.

**4.** Placez les ancrages d'embout entre l'écran et la base. Localisez les ancrages (goujon de compression ou goujon fileté) dans les trous ou les agrafes de la base. Poussez d'abord doucement sur les ancrages pour les insérer dans la base.

**REMARQUE :** Que vous installiez l'embout supérieur au moyen d'un maillet et d'un bloc de nylon ou à la main, appuyez toujours doucement directement sur chaque ancrage d'embout supérieur en prenant soin de ne pas trop forcer.

**5.** Au moyen de la méthode appropriée illustrée, enfoncez complètement les ancrages d'embout supérieur en commençant de chaque côté de la troisième patte, puis en vous dirigeant vers l'extrémité intérieure de l'embout.

Vous avez terminé lorsque les patins sont de niveau; il ne vous reste qu'à inspecter et nettoyer le fauteuil.



## Remplacement de la rallonge de paroi

**1.** Insérez doucement un petit levier ou une barre à mastic entre l'embout supérieur et la paroi inférieure, en prenant soin de ne pas endommager le garnissage.

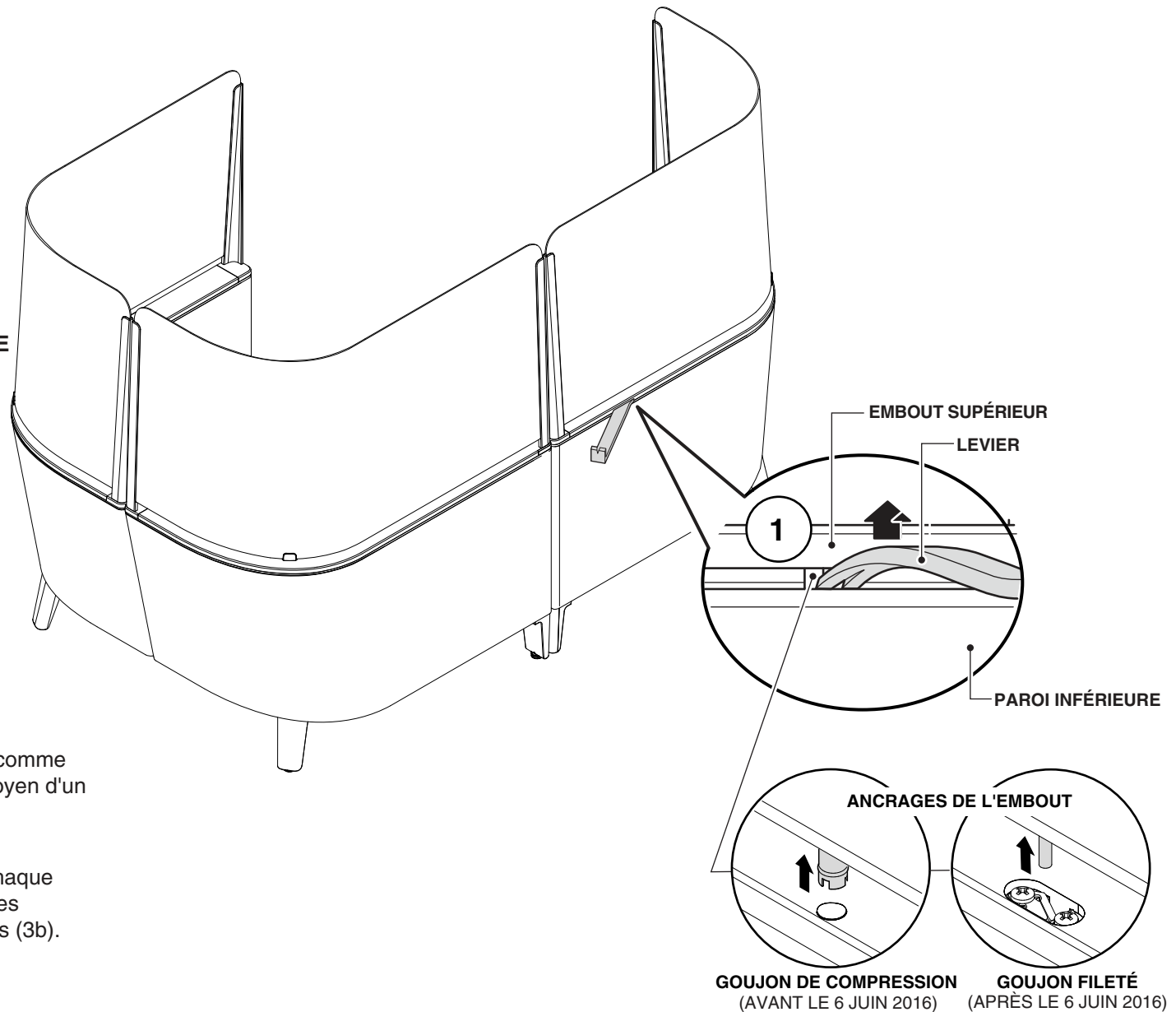
**NE SOULEVEZ PAS L'EMBOUT À PLUS DE 25 MM (1 PO) D'UN ANCRAGE D'EMBOUT CAR CELA ENDOMMAGERAIT L'EMBOUT SUPÉRIEUR.**

**2.** Recherchez les emplacements des ancrages de l'embout supérieur. Au moyen du levier, soulevez doucement l'embout vis-à-vis chacun des ancrages.

**REMARQUE :** Le modèle avec écran comporte seulement 5 ancrages d'embout, mais le modèle sans écran en comporte 7 pour chaque embout supérieur.

**REMARQUE :** Il existe eux types d'ancrage, comme illustré. Le retrait de l'embout supérieur au moyen d'un levier s'applique aux deux types d'ancrage.

**3.** Déplacez-vous sur toute la longueur de chaque embout, jusqu'à ce qu'il soit dégagé de tous les ancrages (3a). Retirez les embouts supérieurs (3b).



## Remplacement de la rallonge de paroi (suite)

**3.** Déplacez-vous sur toute la longueur de chaque embout, jusqu'à ce qu'il soit dégagé de tous les ancrages.

**4.** Retirez les embouts supérieurs et mettez-les à un endroit où vous ne risquez pas de marcher dessus ou de les endommager.

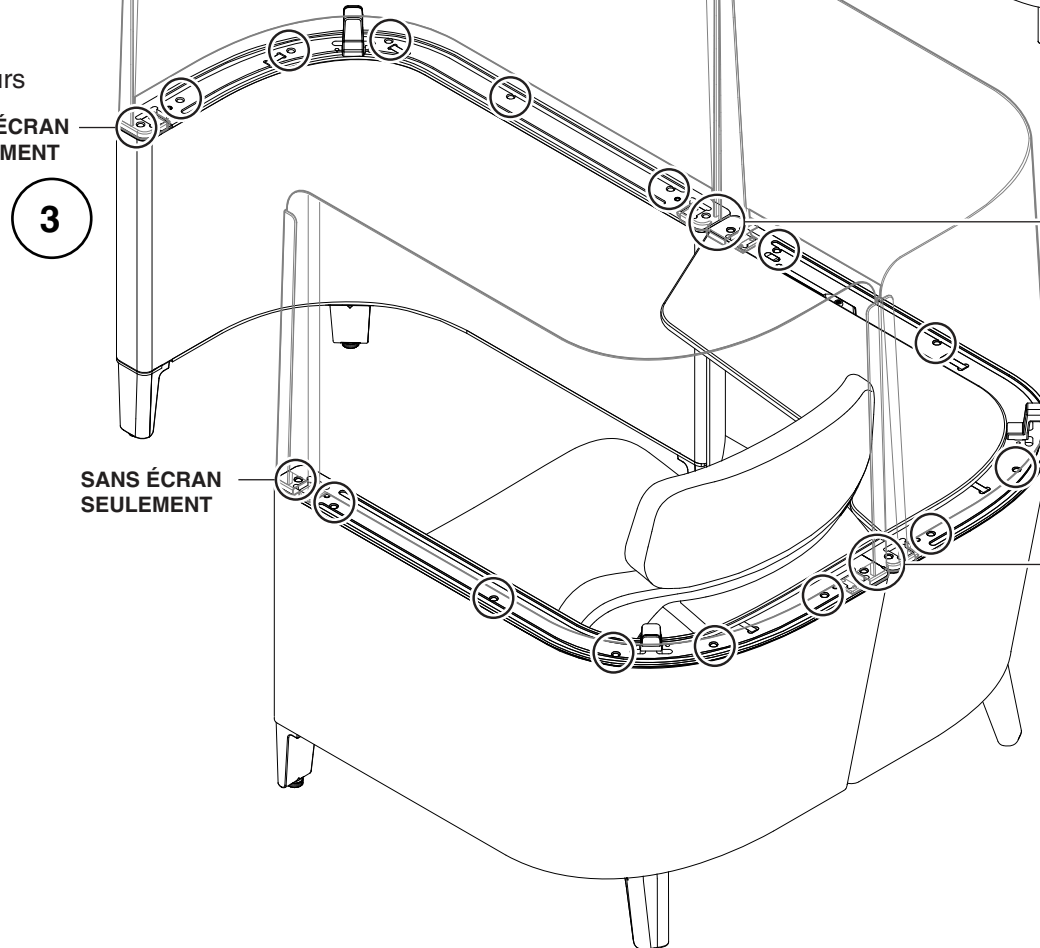
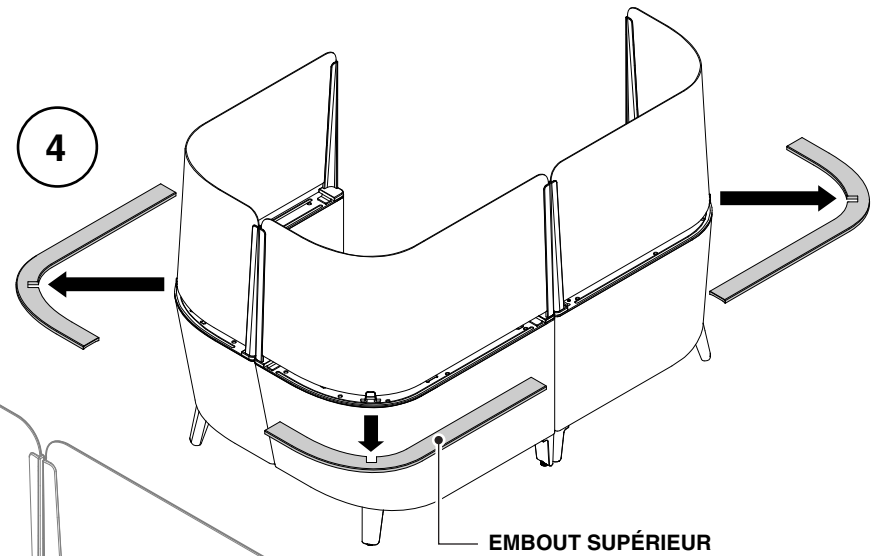
SANS ÉCRAN SEULEMENT

3

SANS ÉCRAN SEULEMENT

SANS ÉCRAN SEULEMENT

SANS ÉCRAN SEULEMENT





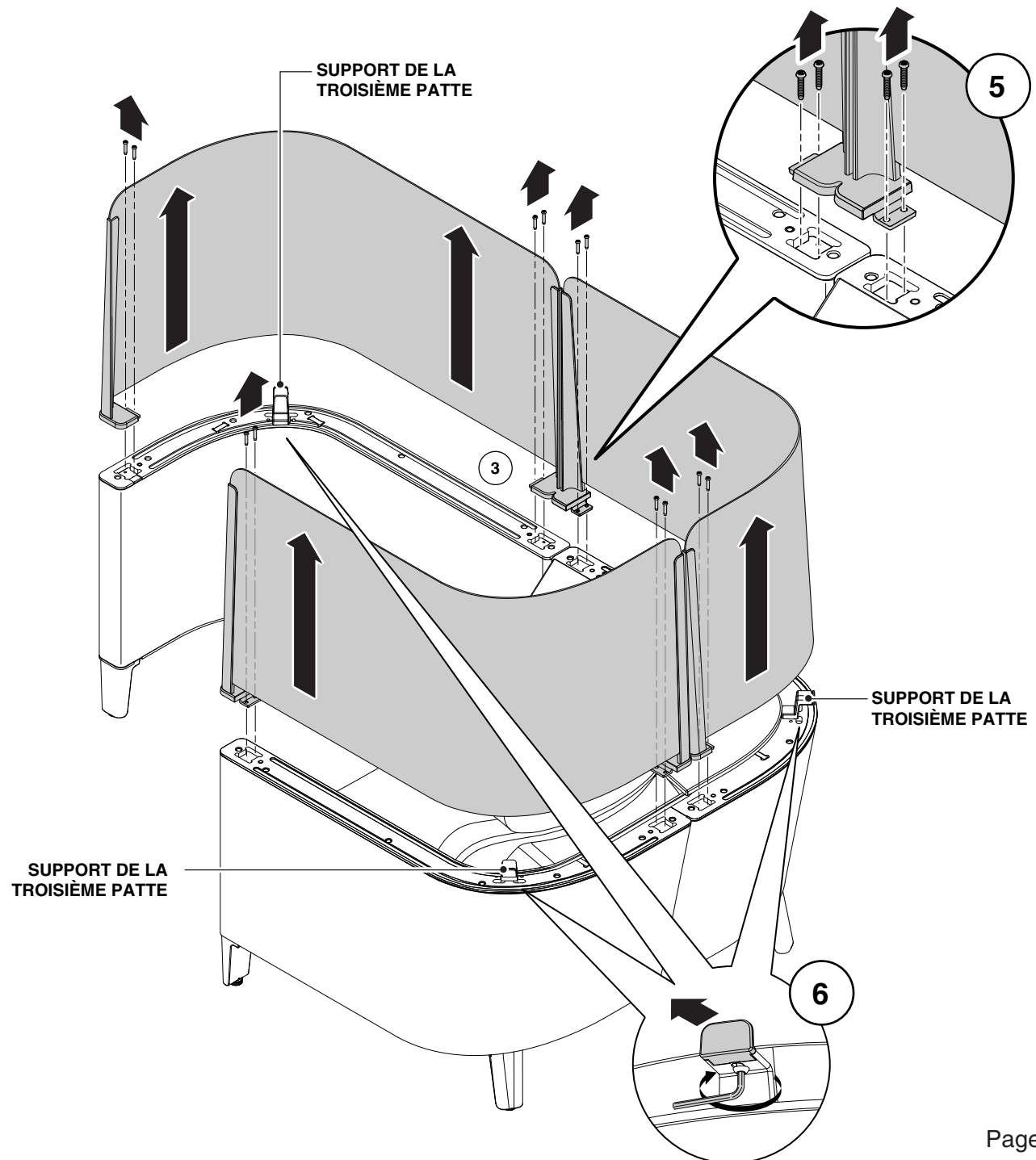
## Remplacement de la rallonge de paroi (suite)

**5.** Au moyen d'un embout TORX T30, retirez les boulons M6 qui fixent le cadre de l'écran principal à la base.

**6.** Desserrez la vis de réglage sur le troisième support de patte.

**7.** Deux ou trois personnes sont nécessaires pour retourner doucement l'écran et le placer à l'enfer sur une surface propre pour faire l'entretien des écrans de la rallonge de paroi ou des cadres de l'écran.

**POUR FAIRE L'ENTRETIEN D'UNE COMPOSANTE DE L'ÉCRAN, VEUILLEZ CONSULTER LES DIRECTIVES D'ENTRETIEN DE L'ÉCRAN.**



## Remplacement de la rallonge de paroi (suite)

**8.** Deux personnes sont nécessaires pour retourner doucement le fauteuil et le placer de côté, sur une surface propre. Assurez-vous de ne pas laisser la paroi de rallonge se détacher du fauteuil, car cela endommagerait le support d'accouplement.

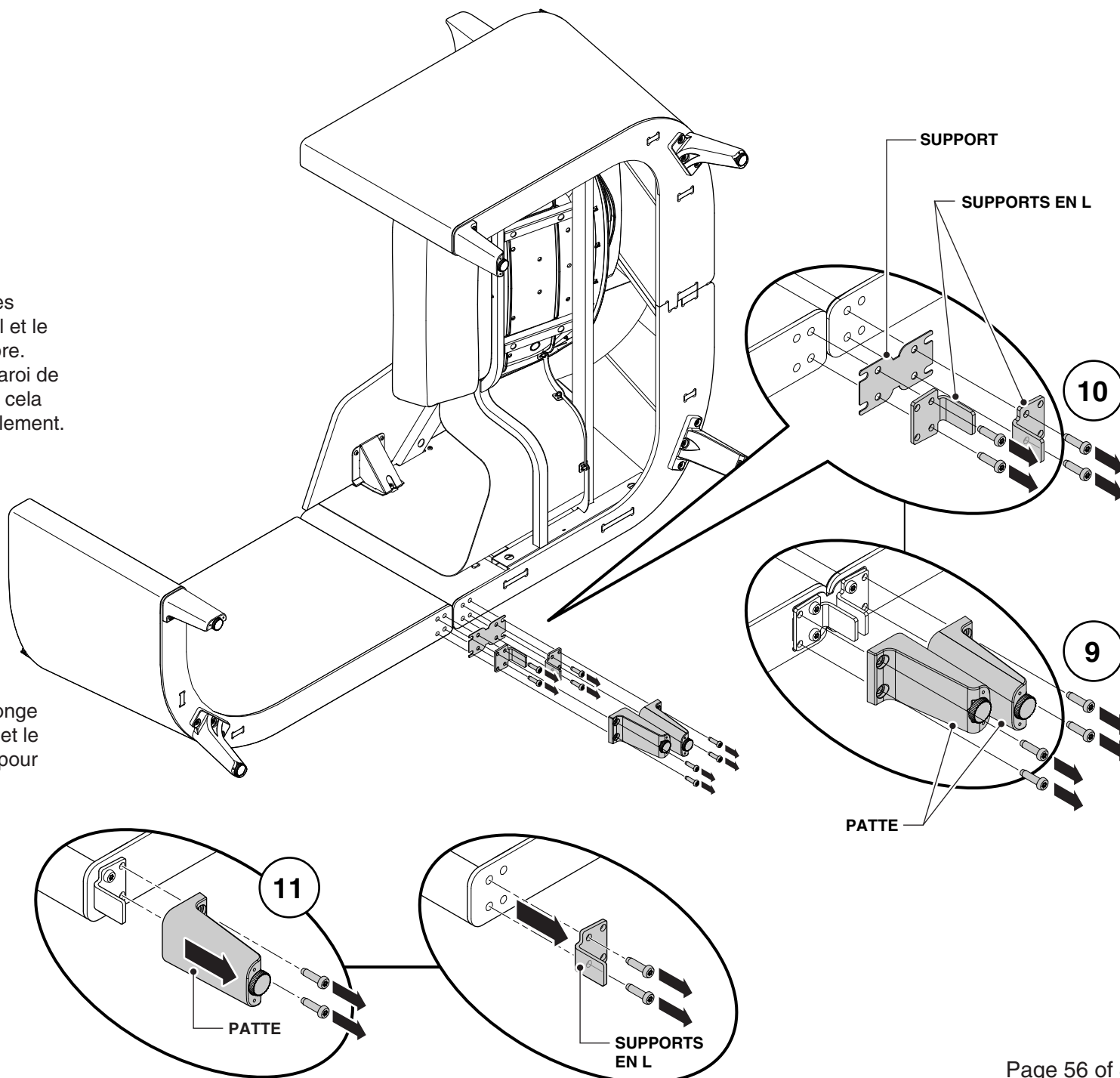
**9.** Retirez les vis qui fixent la patte entre le fauteuil et la rallonge de paroi.

**10.** Retirez les vis qui fixent les supports en L à la rallonge de paroi.

**11.** Si vous avez une nouvelle rallonge de paroi, vous devez retirer la patte et le support en L de la section allongée pour préparer la prochaine étape.

**12.** Pour installer les nouvelles pattes, inversez les étapes 9 à 11.

**13.** Pour installer le nouvel écran, inversez les étapes 5 à 7.



## ERemplacement de la rallonge de paroi (suite)

**REMARQUE :** Pour éviter d'endommager le produit, déterminez le type d'ancrage d'embout supérieur utilisé, puis consultez la méthode d'installation appropriée des ancrages illustrée.

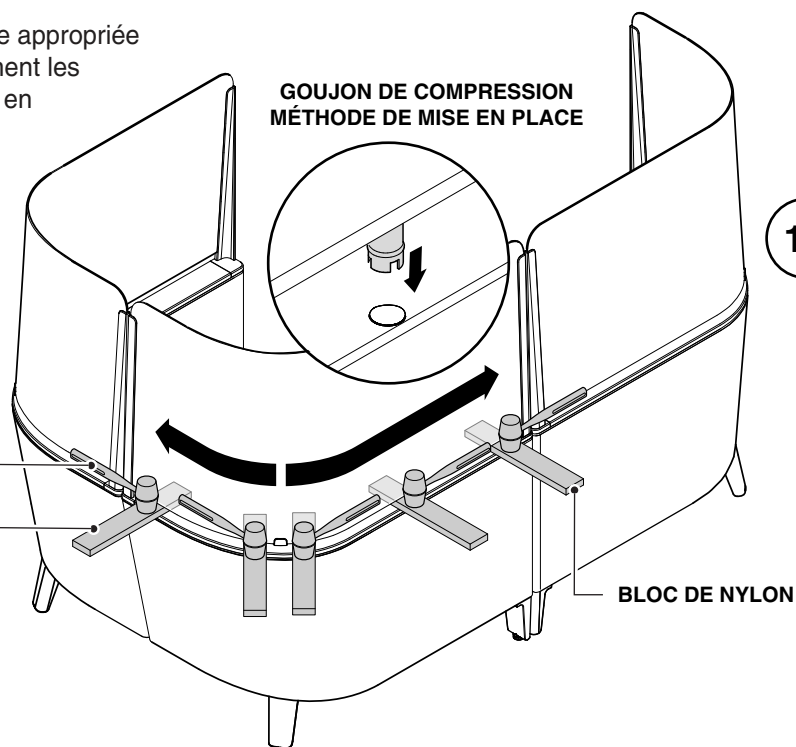
**14.** Placez les ancrages d'embout entre l'écran et la base. Localisez les ancrages (goujon de compression ou goujon fileté) dans les trous ou les agrafes de la base. Poussez d'abord doucement sur les ancrages pour les insérer dans la base.

**REMARQUE :** Que vous installiez l'embout supérieur au moyen d'un maillet et d'un bloc de nylon ou à la main, appuyez toujours doucement directement sur chaque ancrage d'embout supérieur en prenant soin de ne pas trop forcer.

**15.** Au moyen de la méthode appropriée illustrée, enfoncez complètement les ancrages d'embout supérieur en commençant de chaque côté de la troisième patte, puis en vous dirigeant vers l'extrémité intérieure de l'embout.

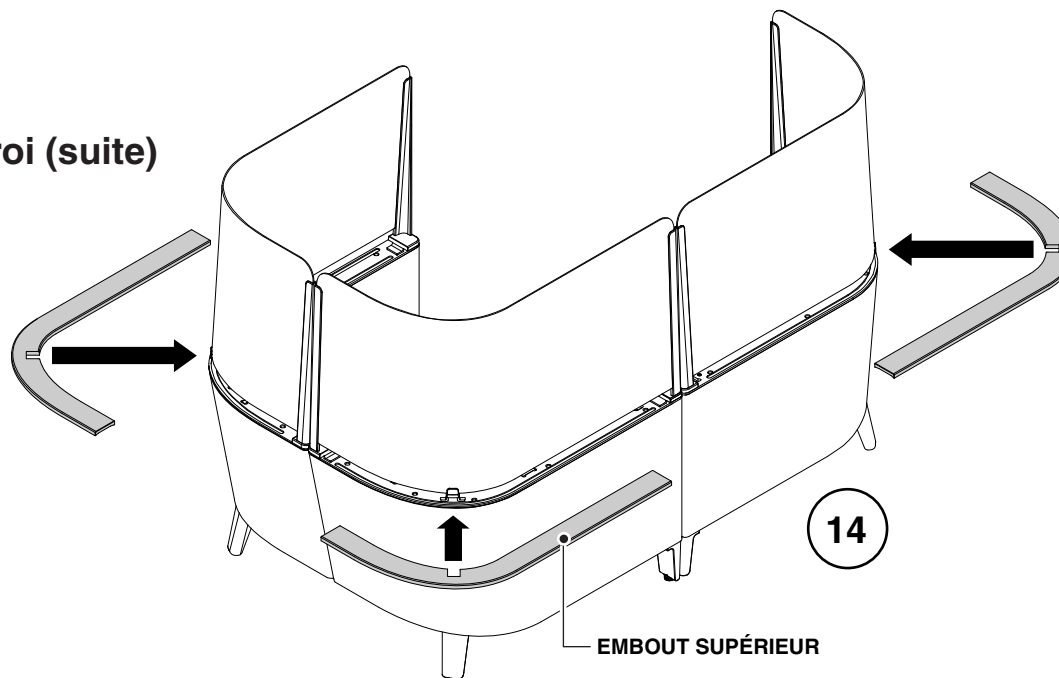
Vous avez terminé lorsque les patins sont de niveau; il ne vous reste qu'à inspecter et nettoyer le fauteuil.

MAILLET  
BLOC DE NYLON



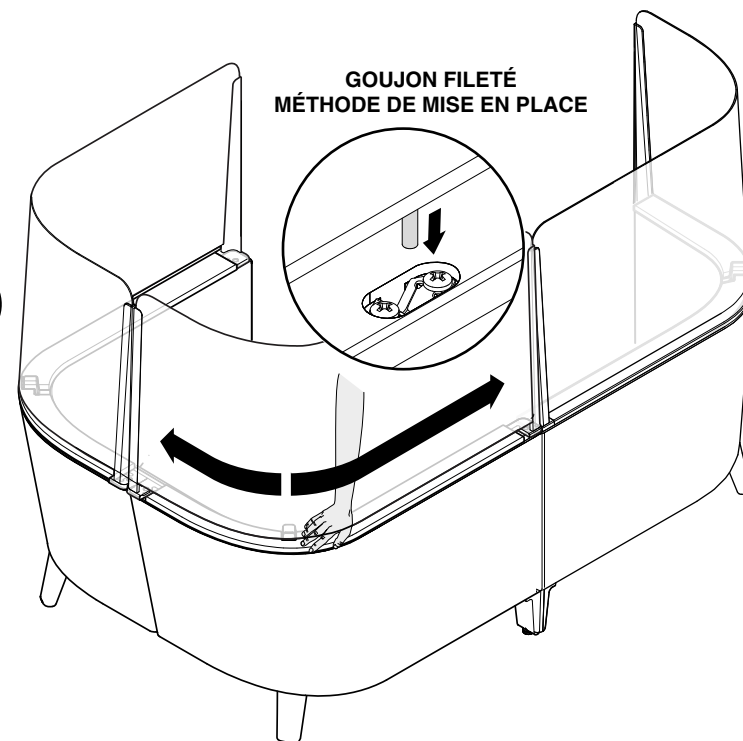
GOUJON DE COMPRESSION  
MÉTHODE DE MISE EN PLACE

BLOC DE NYLON



14

EMBOUT SUPÉRIEUR



GOUJON FILETÉ  
MÉTHODE DE MISE EN PLACE

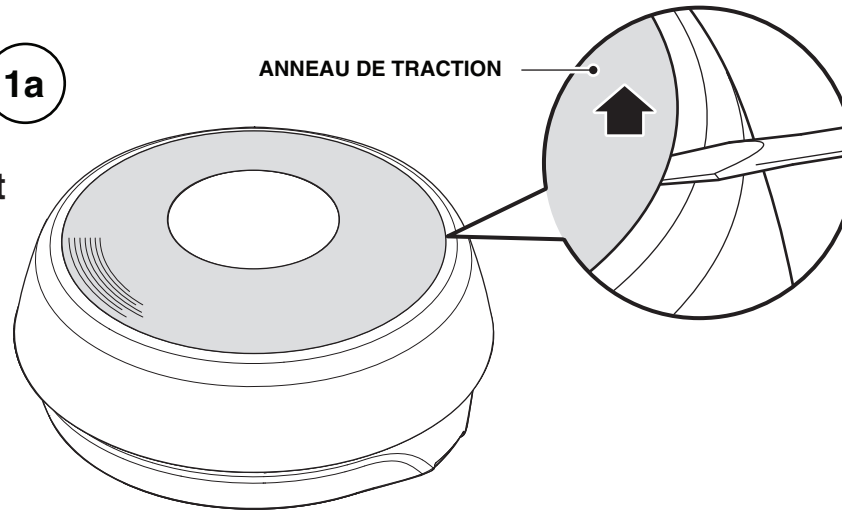
15

## Réparation ou remplacement du repose-pieds

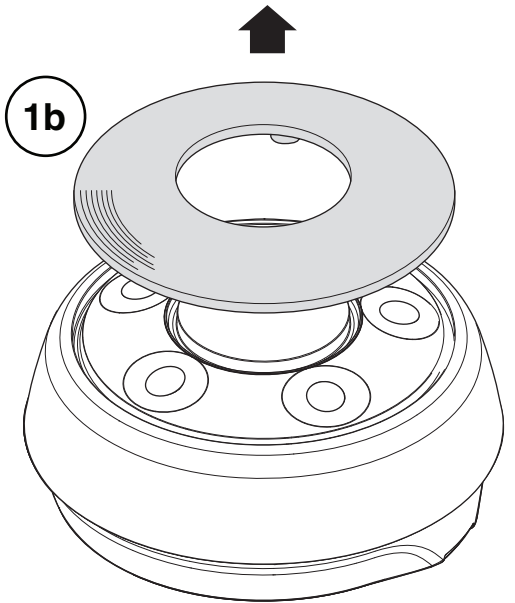
**1.** Au moyen d'un outil à grande lame, par exemple d'un tournevis plat, soulevez doucement le rebord de l'anneau de traction pour le séparer de la base en plastique (1a). Vous devriez entendre un clic au moment où les tubes encliquetables se dégageront de la base en plastique. Retirez l'anneau de traction (1b).

1a

ANNEAU DE TRACTION



1b



**SI VOUS REMPLACEZ UNIQUEMENT L'ANNEAU DE TRACTION, PASSEZ À L'ÉTAPE 5.**

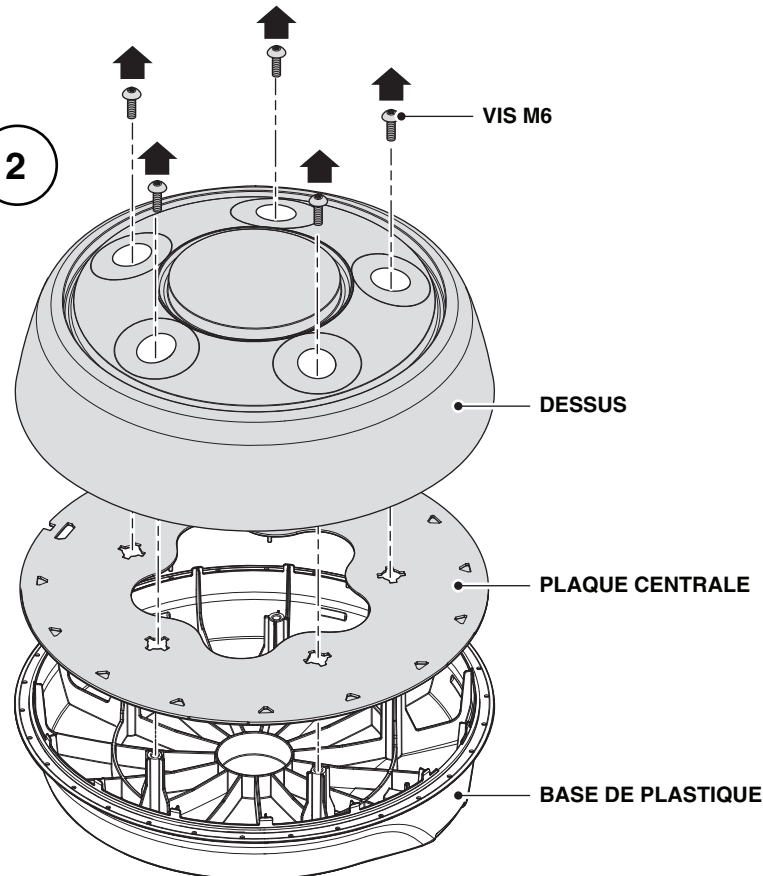
**2.** Une fois l'anneau de traction enlevé, retirez les cinq (5) vis M6.

2

**3.** Après avoir retourné le repose-pieds à l'envers, alignez la rainure dans la plaque centrale avec la clé.

**4.** Placez ensuite la base en plastique sur l'ensemble, puis alignez les trous de la base avec les bosses des vis sur la partie supérieure.

**5.** Alignez ensuite les bosses d'enclenchement de l'anneau de traction avec les trous d'assemblage de la base, puis appuyez fermement jusqu'à ce que les rebords soient à égalité avec la base de plastique.

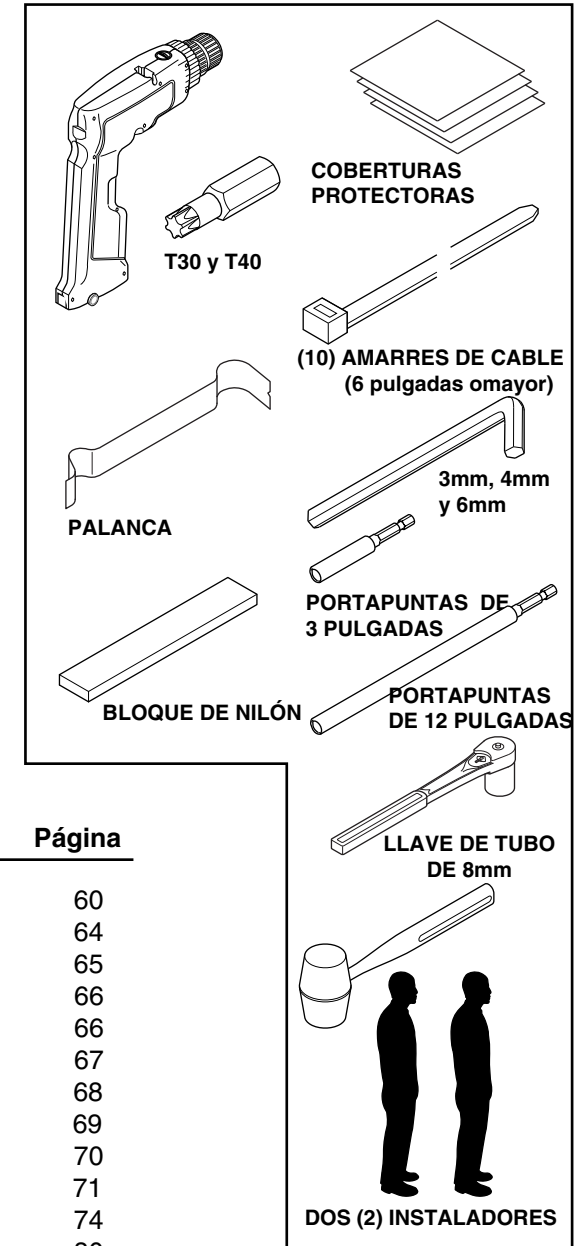
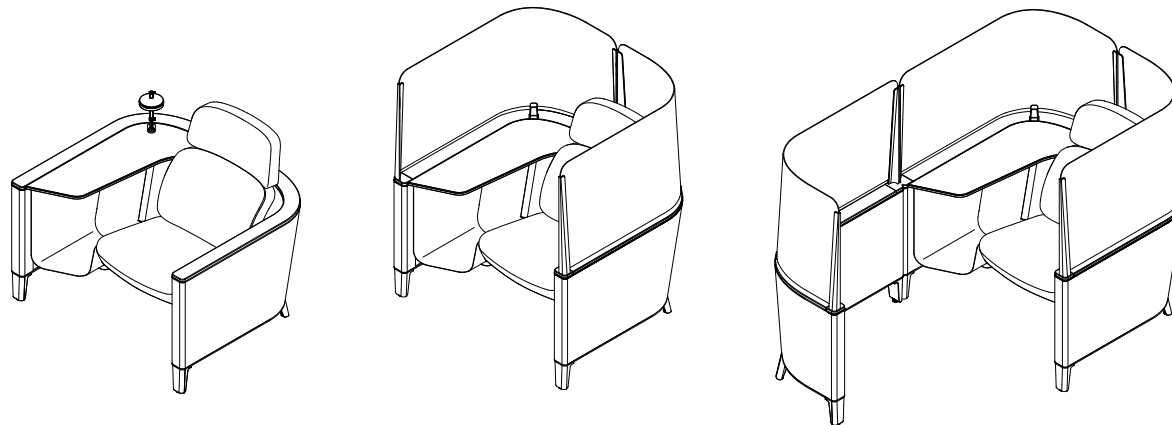


VIS M6

DESSUS

PLAQUE CENTRALE

BASE DE PLASTIQUE



### Contenido

#### Tópico

#### Página

Reemplazo del respaldo y del asiento	60
Reemplazo de la mini-luz de tablero	64
Reemplazo del bloque de alimentación	65
Reemplazo de la pata en ángulo	66
Reemplazo de la pata recta	66
Regulación del nivelador	67
Reemplazo de la superficie de trabajo personal	68
Reemplazo/protecciones de la superficie de trabajo personal	69
Reemplazo de la superficie lateral	70
Reemplazo del soporte de la superficie de trabajo no personal	71
Reemplazo de la pantalla de privacidad	74
Reemplazo de la moldura superior	80
Reemplazo de la pared de extensión	28
Reparación/reemplazo del apoyapiés	87

Si tiene algún problema, pregunta o pedido, llame a su distribuidor local, o a la línea 1 de Steelcase al **888.STEELCASE** (888.783.3522) para una respuesta inmediata de parte de quienes desean ayudarle.

(Fuera de los EE.UU., Canadá, México, Puerto Rico y las Islas Vírgenes de los EE.UU., llame al 1.616.247.2500)

o visite nuestro sitio web: [www.steelcase.com](http://www.steelcase.com)

© 2007 Steelcase Inc.  
Grand Rapids, MI 49501  
U.S.A.

Impreso en los EE.UU.

## Reemplazo del respaldo y del asiento

**1.** Con una palanca delgada o una barra para cristales, deslice con suavidad la palanca entre el capuchón y la pared inferior, teniendo cuidado de no dañar la tapicería.

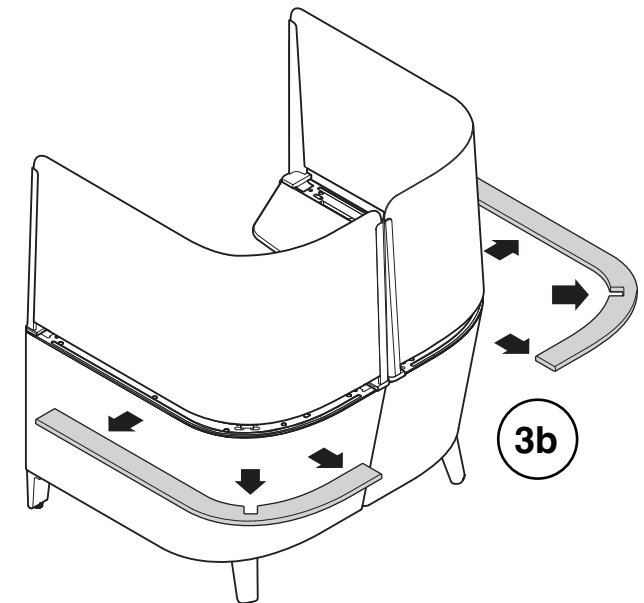
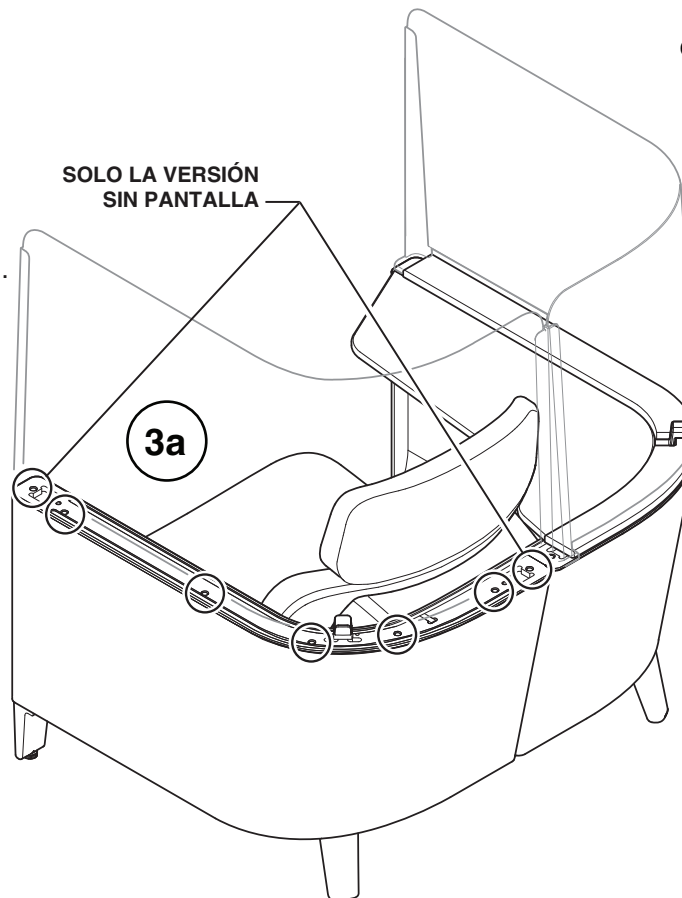
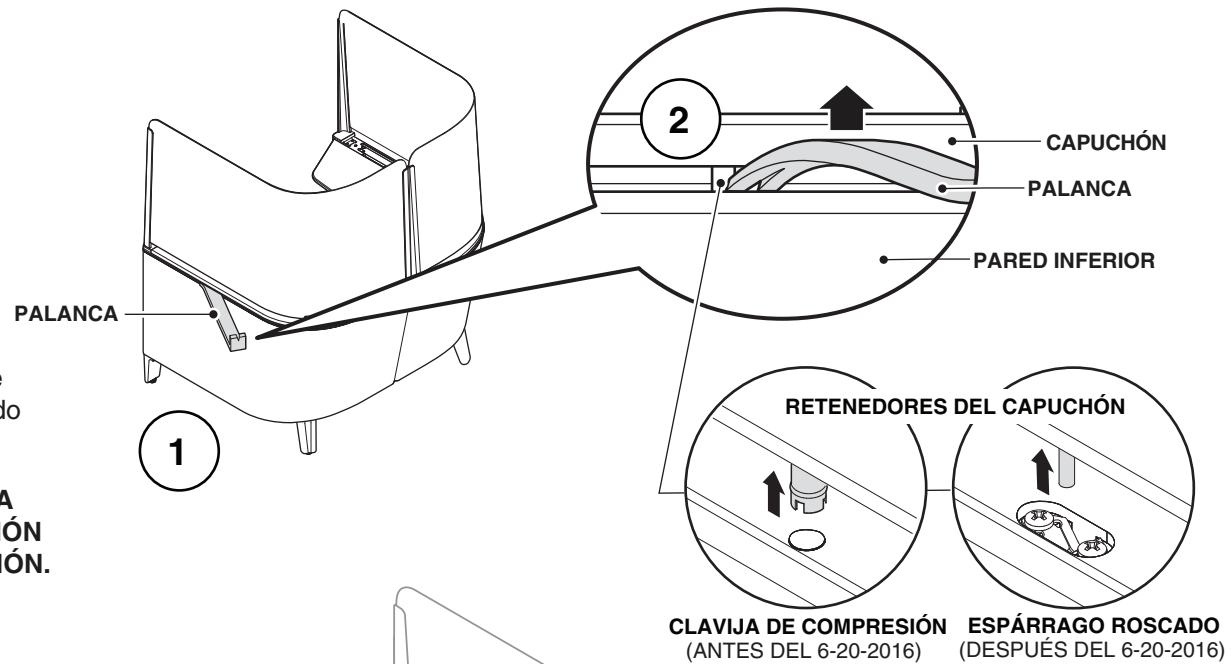
**NO TRATE DE FORZAR MÁS DE 1 PULGADA EN CUALQUIER RETENEDOR DEL CAPUCHÓN YA QUE ESTO PODRÍA DAÑAR AL CAPUCHÓN.**

**2.** Localice los retenedores del capuchón. Con suavidad fuerce hacia arriba el capuchón en el sitio de cada retenedor.

**NOTA:** Las versiones con pantalla protectora tienen solamente cinco retenedores de capuchón mientras que las unidades sin pantalla protectora tienen 7 en cada capuchón.

**NOTA:** Los retenedores del capuchón pueden ser uno de los dos tipos mostrados. El retiro del capuchón mediante palanca se aplica a ambos tipos de retenedores.

**3.** Trabaje alrededor de cada capuchón hasta que todos los retenedores queden desenganchados (3a). Retire los capuchones (3b).



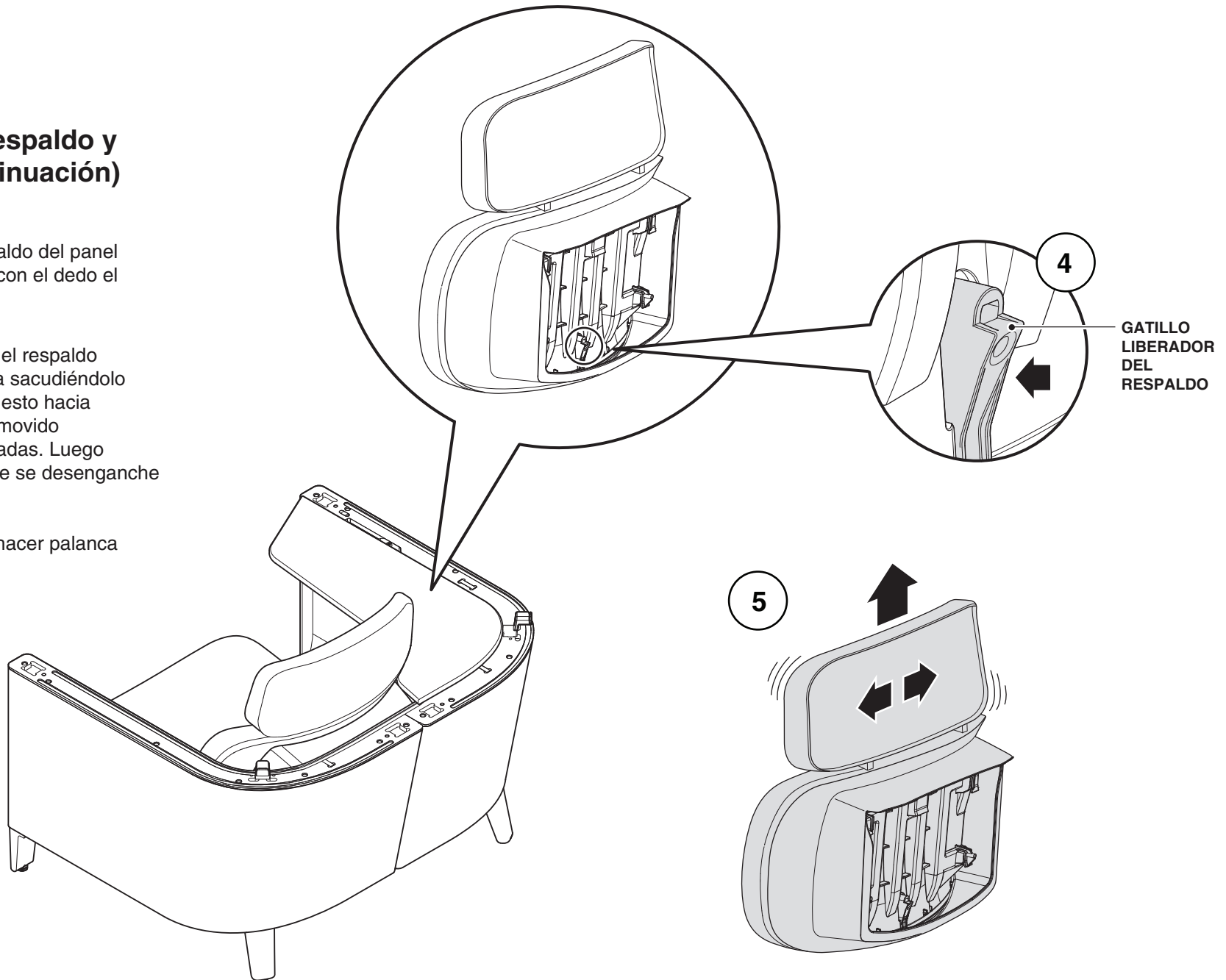


## Reemplazo del respaldo y del asiento (continuación)

**4.** Desenganche el respaldo del panel de montaje presionando con el dedo el gatillo de liberación.

**5.** Deslice con suavidad el respaldo verticalmente hacia arriba sacudiéndolo de un lado al otro y haga esto hacia arriba hasta que se haya movido aproximadamente 2 pulgadas. Luego hale el respaldo hasta que se desenganche de las aletas de madera.

**NOTA:** No es necesario hacer palanca para retirar este respaldo.





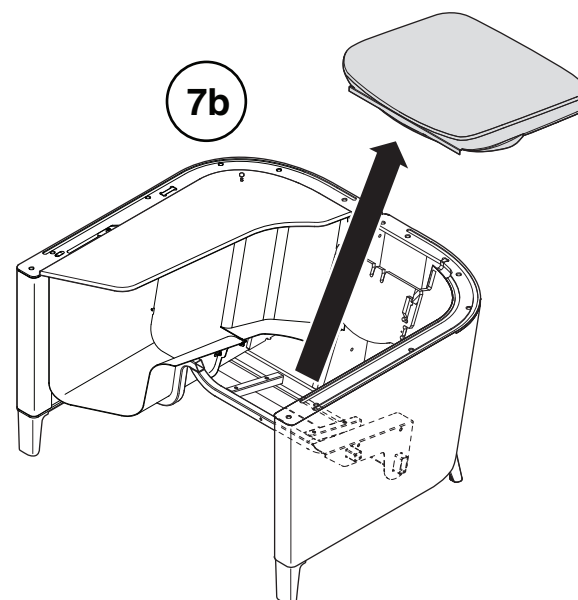
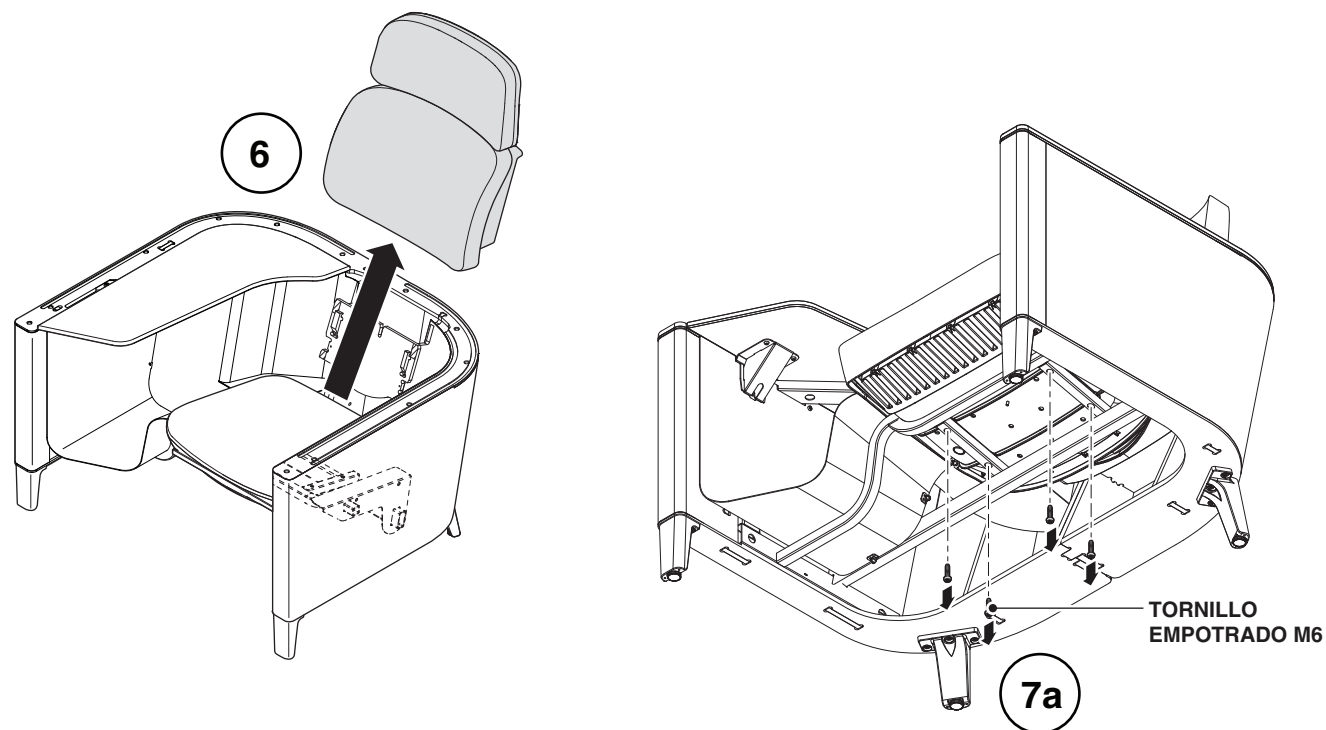
## Reemplazo del respaldo y del asiento (continuación)

**6.** Levante el respaldo y póngalo a un lado.

**7.** Con una llave Allen de 6 mm desenrosque os cuatro (4) tornillos empotrados M6 de debajo de la bandeja del asiento (7a) y retire el asiento tapizado (7b).

**NOTA:** Estos tornillos están ubicados dentro de los orificios en el marco de acero.

**8.** Reemplace el nuevo asiento siguiendo los pasos del 5 al 7 de forma inversa.



## Reemplazo del respaldo y del asiento (continuación)

**NOTA:** Para evitar dañar el producto, identifique el tipo de retenedor del capuchón en uso y remítase al método de asentamiento apropiado mostrado del retenedor del capuchón.

**11.** Coloque los capuchones entre la pantalla protectora y la unidad base. Localice la clavija de compresión o los retenedores de capuchón del espárrago roscado sobre los orificios o las presillas en la unidad base. Presione ligeramente hacia abajo para inicialmente enganchar todos los retenedores en la unidad base.

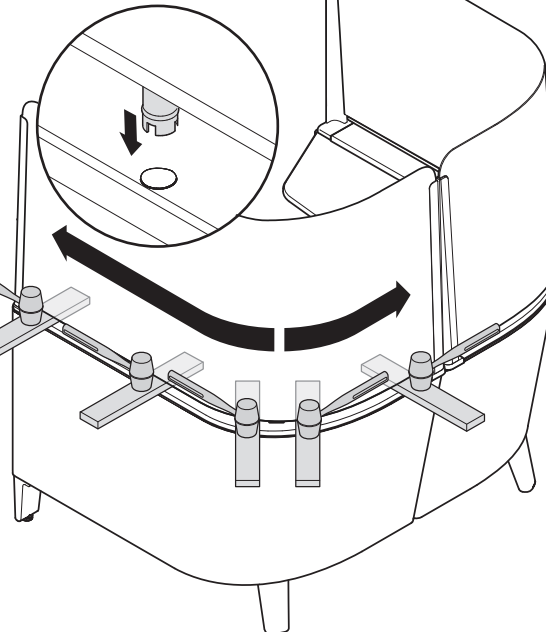
**NOTA:** Sea que asiente el capuchón con el bloque de nilón y el mazo, o manualmente, aplique siempre con precaución la fuerza de asentamiento, directamente sobre cada retenedor del capuchón.

**12.** Aplicando el método apropiado mostrado, asiente completamente los capuchones trabajando hacia afuera desde cada lado del soporte tercera-pata hacia cada extremo del capuchón.

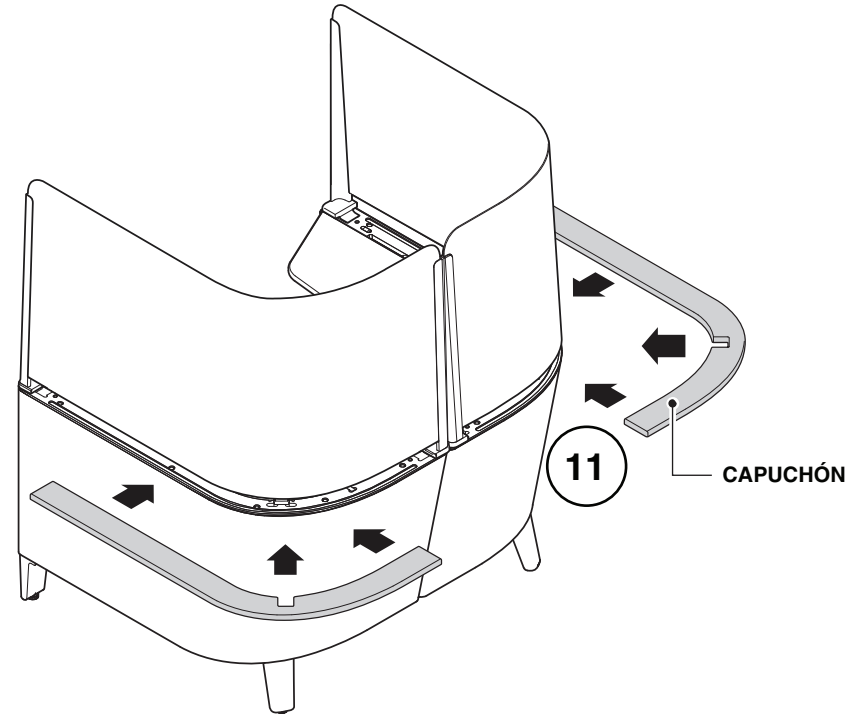
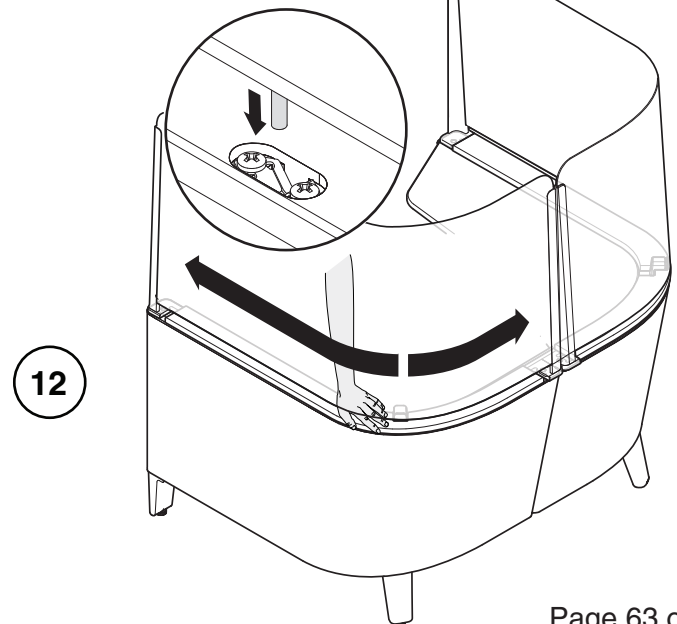
¡Usted ha completado una vez que haya nivelado los niveladores, inspeccionado y limpiado la unidad!

MAZO  
BLOQUE DE NÍLON

MÉTODO DE ASENTAMIENTO  
CON CLAVIJA DE COMPRESIÓN



MÉTODO DE ASENTAMIENTO  
CON ESPÁRRAGO ROSCADO



## Reemplazo de la mini luz de tablero

**1.** Coloque la silla Brody sobre una almohadilla para muebles resistente a rayados, de manera que tenga acceso a la parte inferior de la superficie de trabajo.

**2.** Desenchufe el cordón de la alimentación.

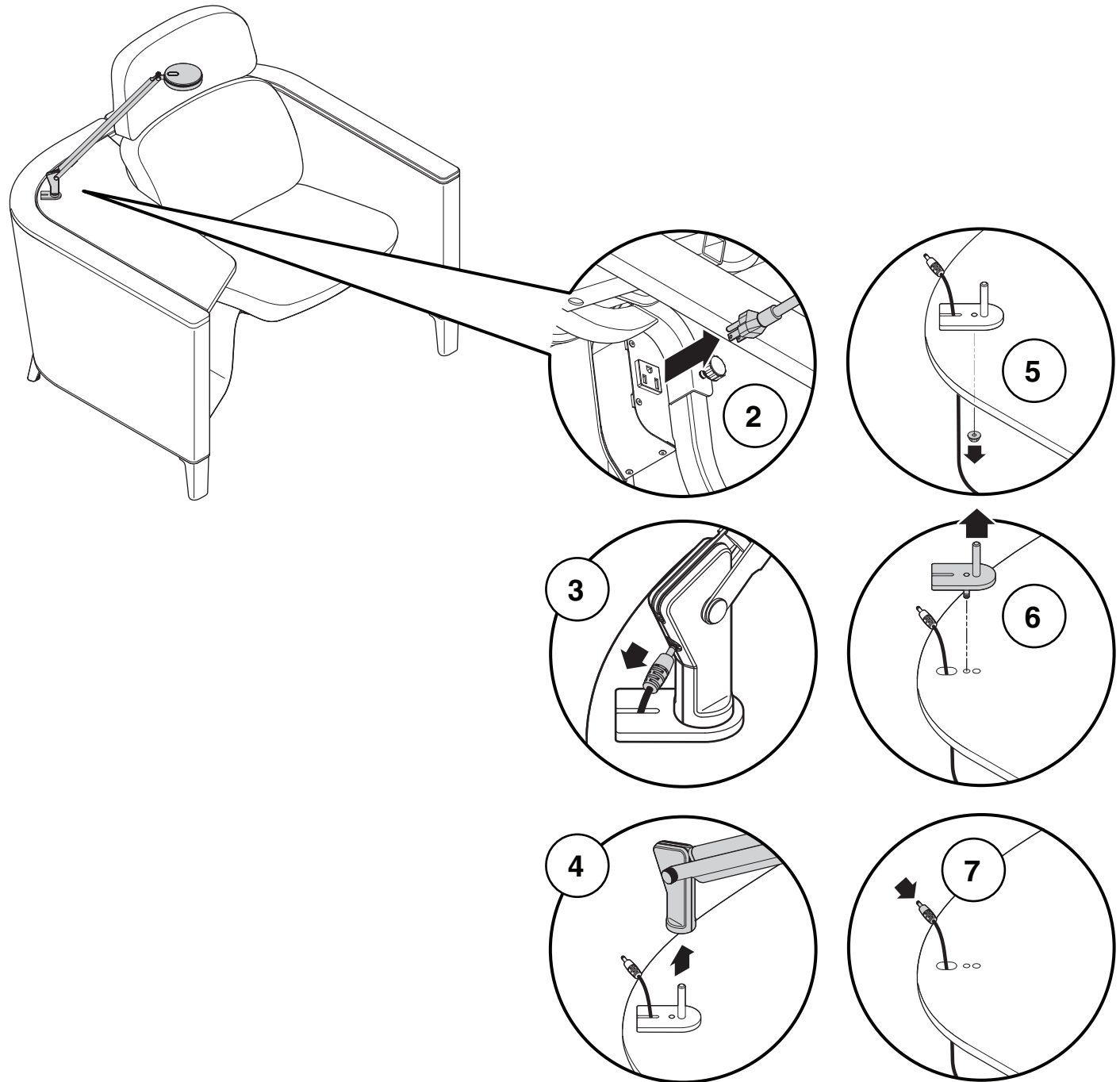
**3.** Retire el extremo redondo del cordón de alimentación de la mini luz de tablero.

**4.** Retire la mini luz de tablero de la clavija del soporte de la luz.

**5.** Retire la tuerca de la parte inferior de la superficie de trabajo con una llave de tubo de 8mm.

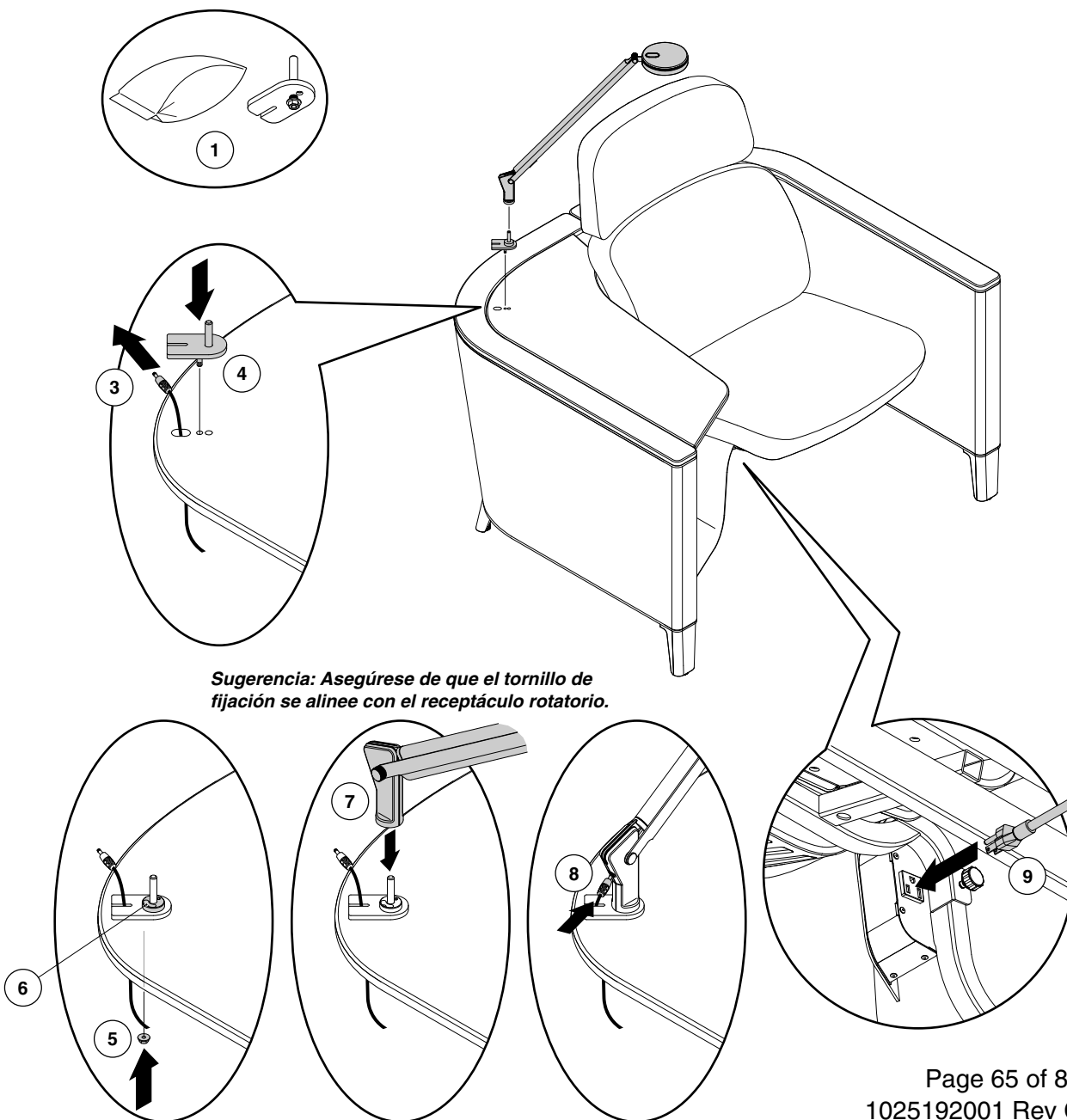
**6.** Retire el soporte de la luz del orificio de la superficie de trabajo.

**7.** Retire el extremo redondo del cordón de alimentación halándolo a través de la ranura de la superficie de trabajo.



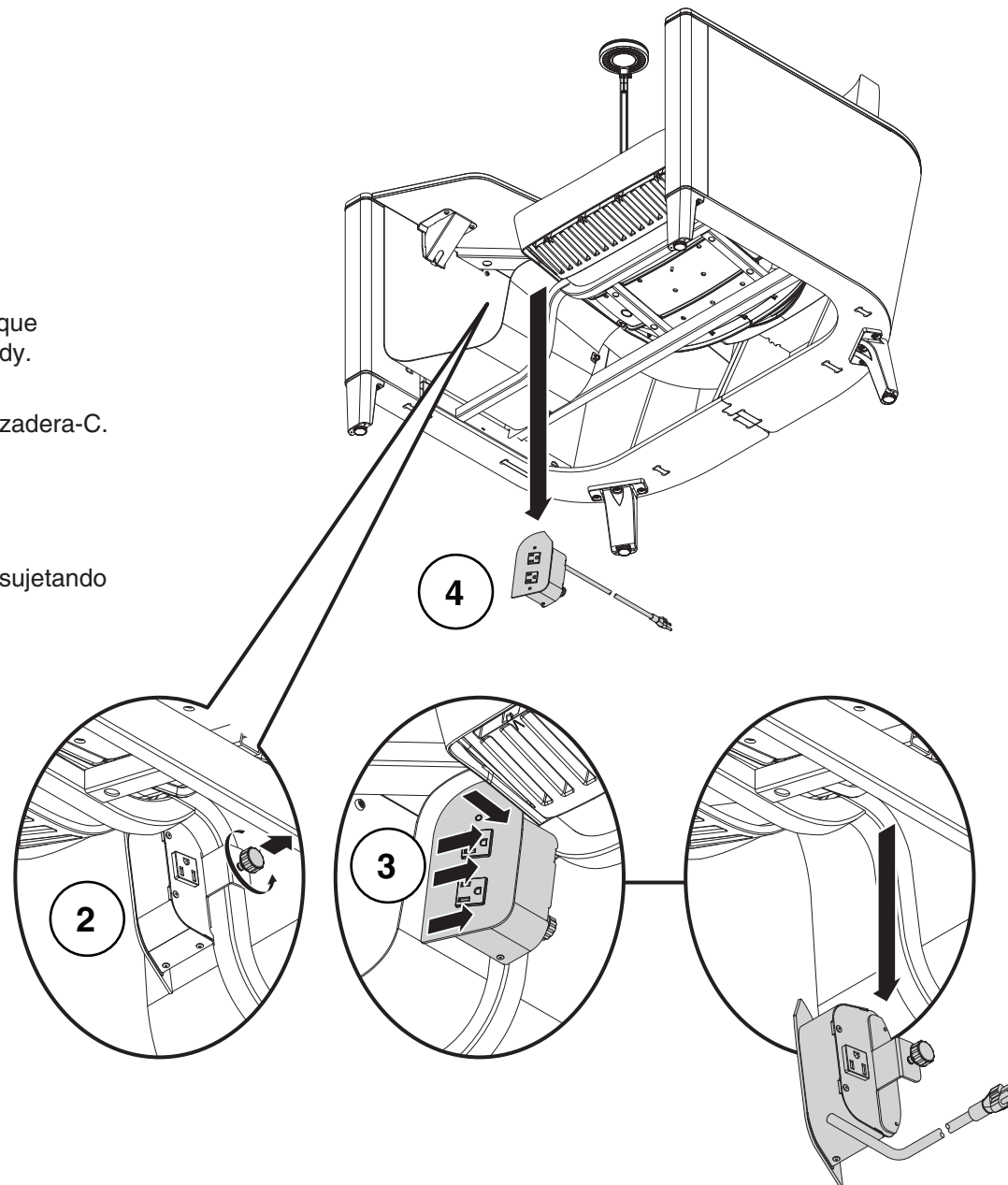
## Instale la mini luz del tablero en una silla Brody

1. Retire todo lo que se encuentra en la caja, incluyendo el soporte de la luz con su tuerca y bolsa de cableado.
2. Coloque la silla Brody sobre un cojín de muebles limpio y resistente a los arañazos, para que pueda acceder a la parte inferior de la superficie de trabajo.
3. Jale el extremo redondo del cable de alimentación a través de la ranura de la superficie de trabajo.
4. Inserte el soporte de luz por el orificio de la superficie de trabajo.
5. Apriete la tuerca de la parte inferior de la superficie de trabajo con una llave de tubo de 8 mm.
6. Deslice el disco anti-rotación sobre el poste de soporte de la luz usando la lengüeta de alineación para asentarlo por completo hacia abajo sobre el soporte de luz.
7. Instale la mini luz del tablero sobre el perno del soporte de la luz asegurándose que el tornillo en la parte inferior del brazo de la luz se inserte en el receptáculo del disco anti-rotación.
8. Instale el extremo redondo del cable de alimentación en la mini luz del tablero.
9. Utilice el enchufe que se encuentra en la parte posterior de la unidad de potencia para el cable de alimentación de la mini luz del tablero.



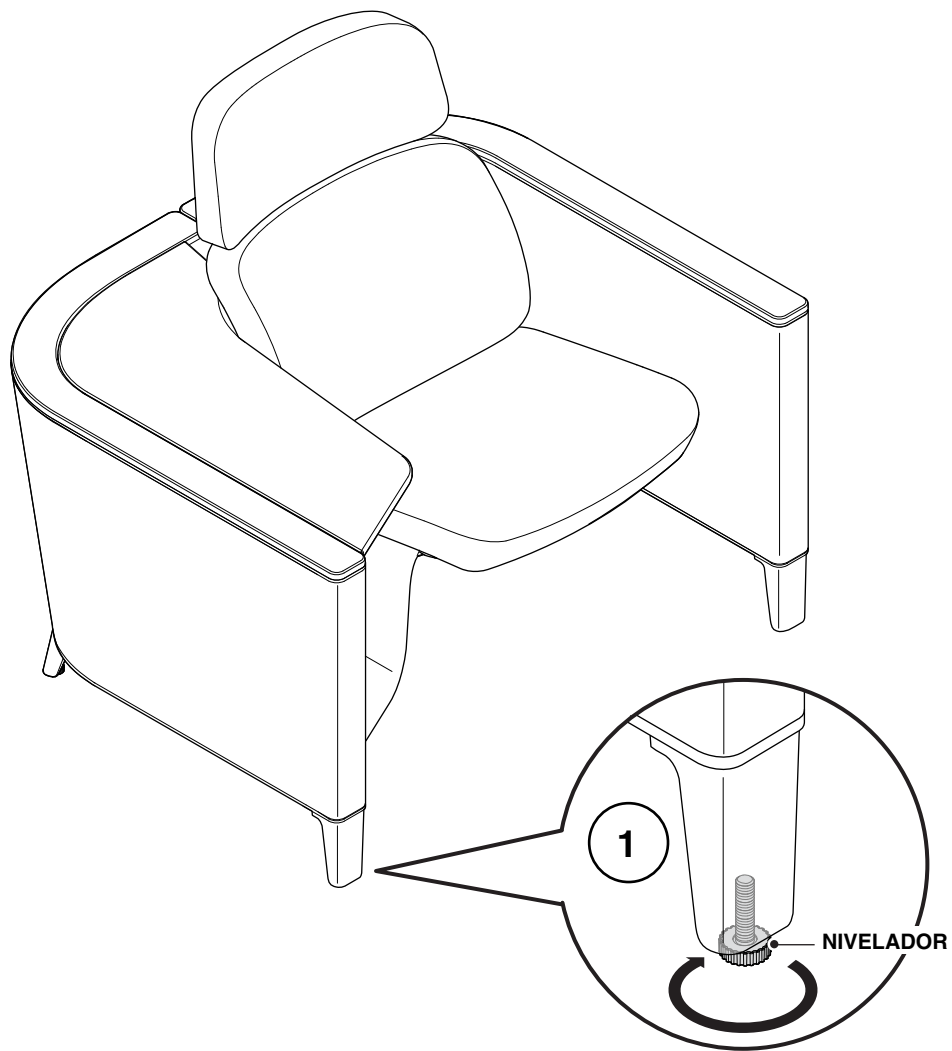
## Reemplazo del bloque de alimentación

1. Desenchufe del tomacorriente el cordón de la mini luz del tablero.
2. Afloje la perilla de la parte posterior del bloque de alimentación y sobre el marco de la silla Brody.
3. Retire el bloque de alimentación de la abrazadera-C.
4. Retire el bloque de alimentación.
5. Retire cualquier amarre de cables que esté sujetando el exceso de cordón al marco de la silla Brody.
6. Invierta los pasos del 1 al 6 para instalar el bloque de alimentación de reemplazo.



## Regulación del nivelador

- 1.** Con los niveladores girados completamente a la izquierda en las patas, balancee con cuidado la silla, mire y oiga si hay movimientos.
- 2.** Si hay movimientos, póngala sobre el piso, encuentre el nivelador que muestre una abertura entre el piso y la unidad en posición libre.
- 3.** Gire el nivelador en sentido anti-horario hasta que la abertura desaparezca y la unidad quede estable.



## Reemplazo de la superficie de trabajo personal

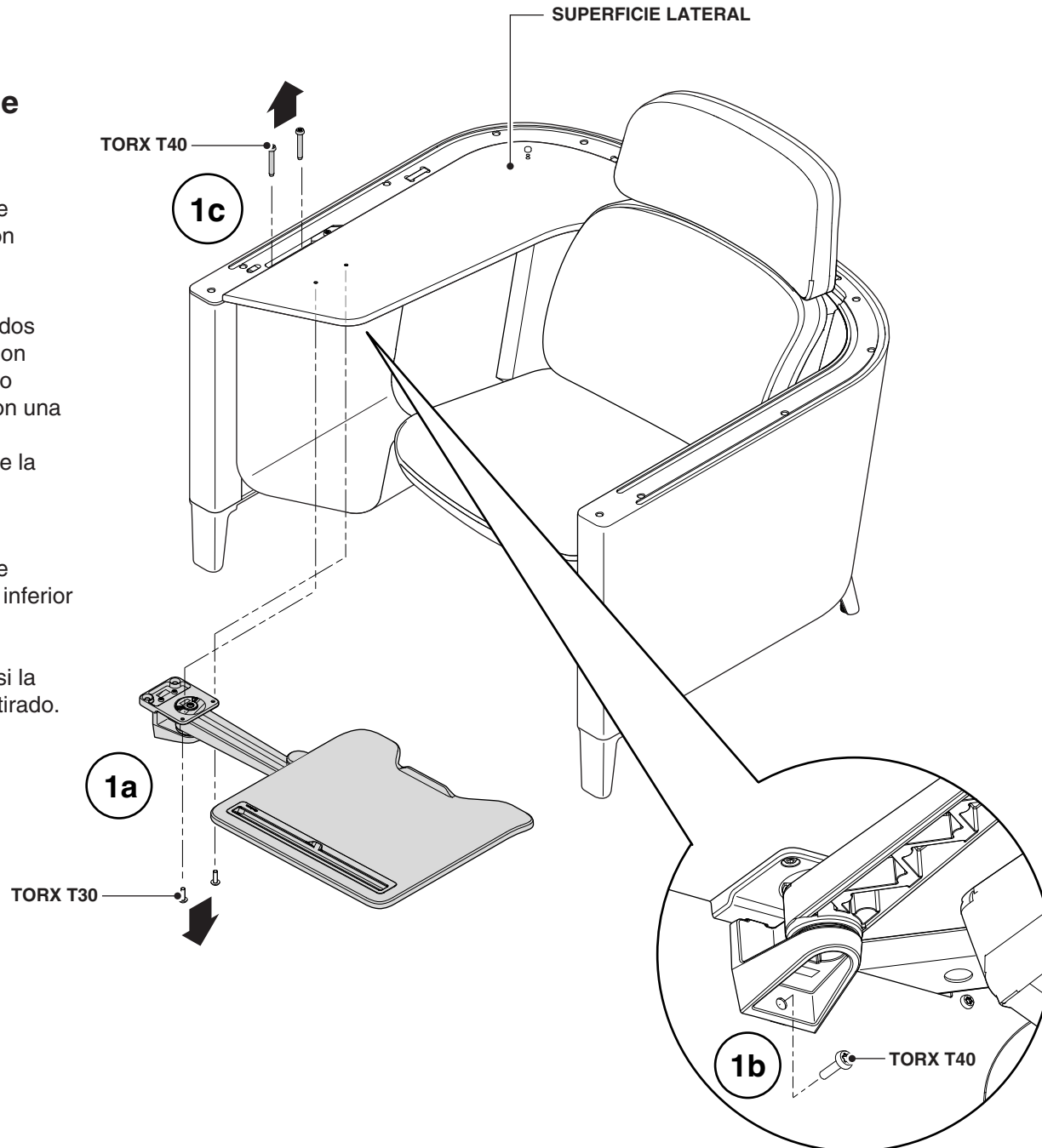
**NOTA:** Se asume en este conjunto que ninguna pantalla protectora ni capuchón han sido retirados.

**1.** Con una punta Torx T30, retire los dos tornillos (TORX T30) de debajo (1a). Con una punta Torx T40, retire un (1) tornillo (TORX T40) de la parte lateral (1b). Con una punta Torx T40, retire dos (2) tornillos (TORX T40) de la parte superior y retire la superficie de trabajo personal (1c).

**2.** Deslice con cuidado la superficie de trabajo personal sacándola de la parte inferior de la superficie lateral.

**NOTA:** No cargue la superficie lateral si la superficie de trabajo personal se ha retirado.

**3.** Invierta los pasos del 1 al 2 para instalar la nueva superficie de trabajo personal.





## Reemplazo de la superficie de trabajo personal con protecciones

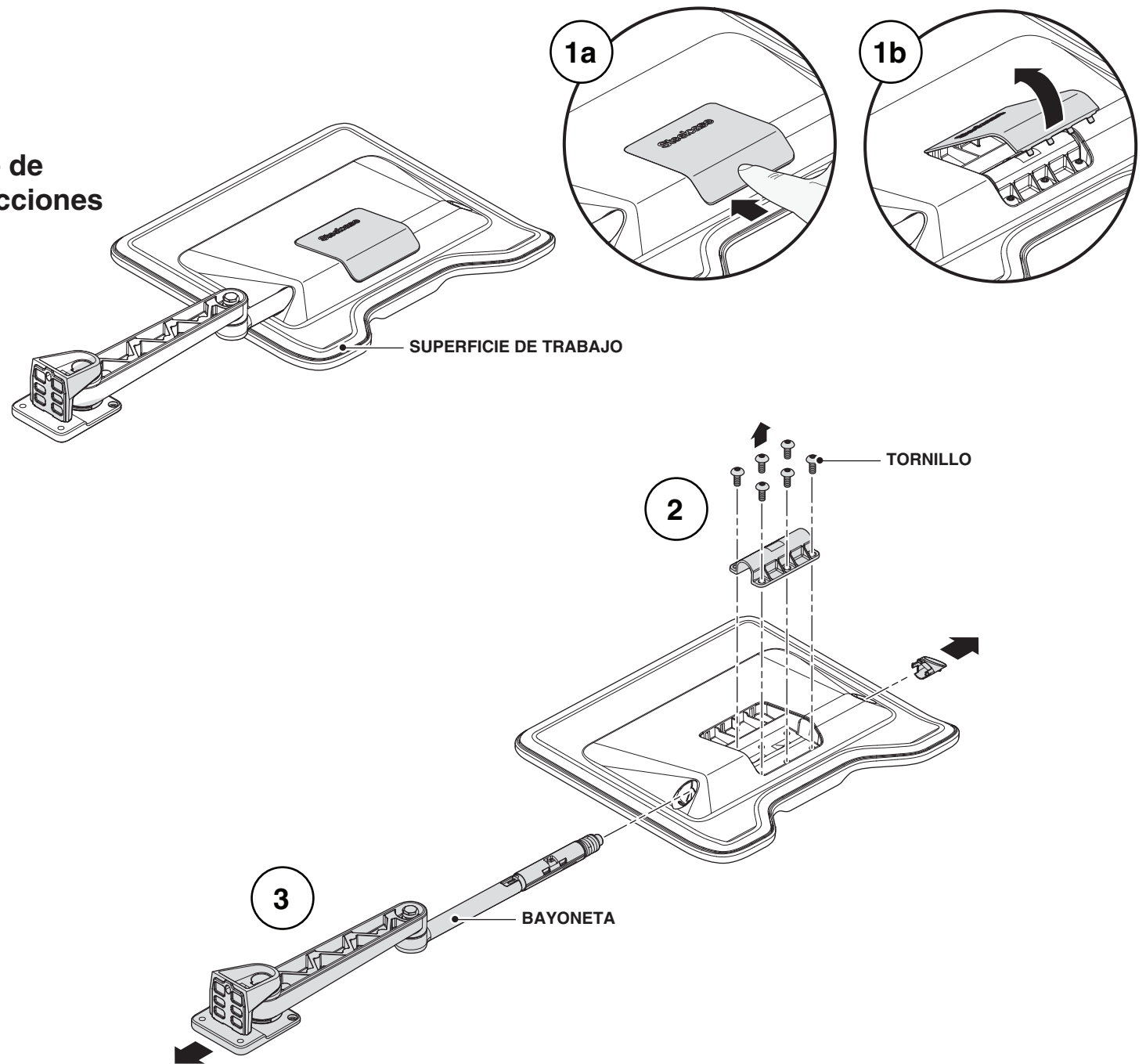
**1.** Presione hacia dentro en el borde inferior de la tapa del tornillo para desenganchar los ganchos (1a) y girarla hacia afuera para retirarla (1b).

**2.** Con una punta Torx T40, retire los seis tornillos que sujetan a la superficie de trabajo personal.

**3.** Deslice la bayoneta del brazo sacándola fuera de la superficie de trabajo personal.

**4.** Invierta los pasos del 1 al 3 para instalar la nueva superficie de trabajo.

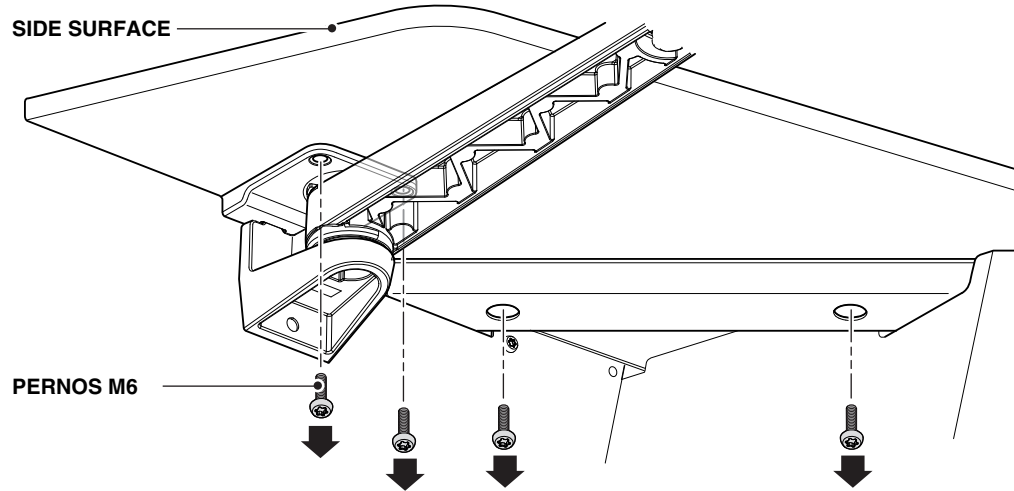
**NOTA:** Ninguna de las clavijas de enganche debe estar expuesta una vez que el protector está instalado.



1

## Reemplazo de la superficie lateral

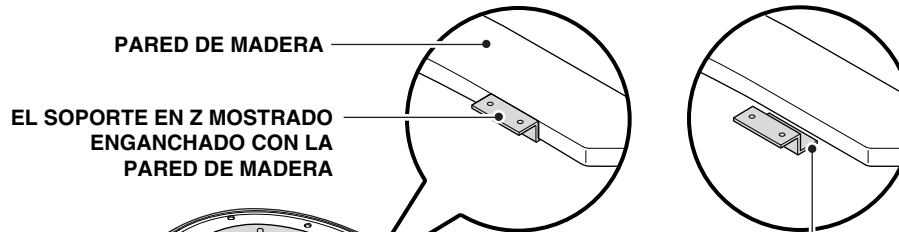
1. Con una llave Allen de 4mm, afloje los cuatro (4) pernos M6 que sujetan la superficie lateral al marco y a la superficie de trabajo.



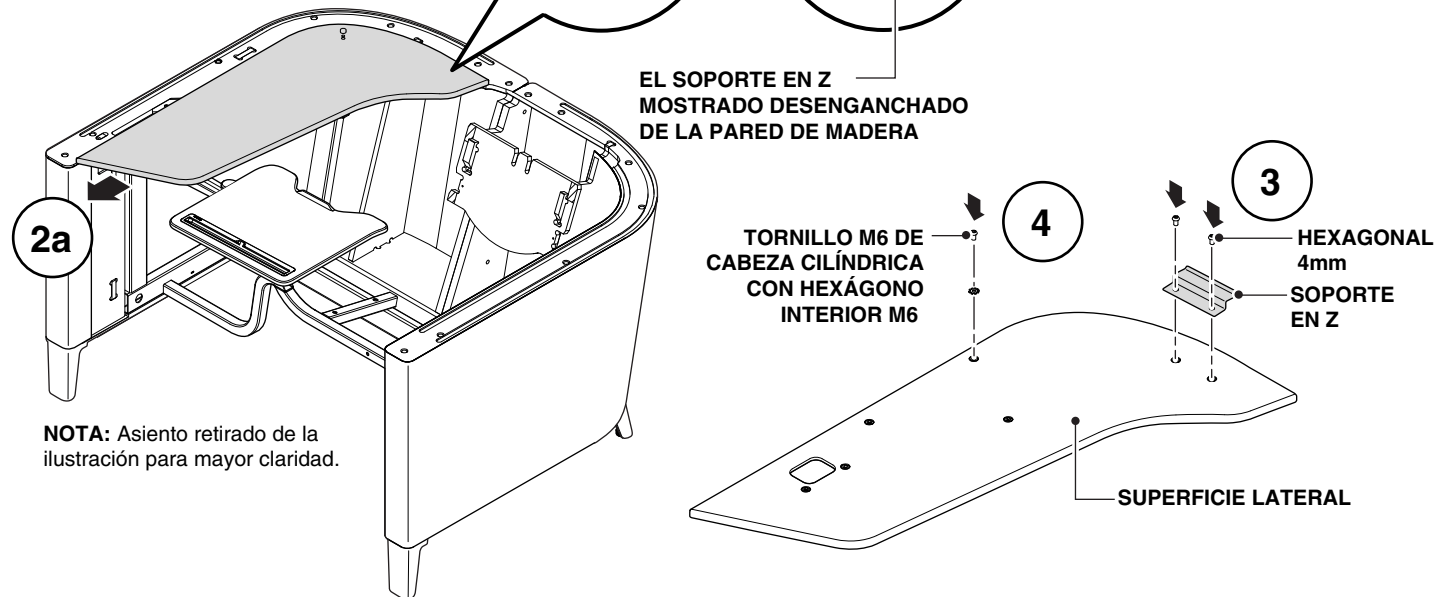
2. Hale la superficie lateral hacia la parte frontal de la unidad aproximadamente tres cuartos de pulgada para desenganchar el soporte en Z de la pared de madera.

## Reemplazo de la superficie lateral

3. Con una llave Allen de 4mm, sujete el soporte en Z posterior con la abertura mirando hacia atrás como se muestra.



4. Con una llave Allen de 5mm, sujete el tornillo de cabeza cilíndrica con hexágono interior M6 y la arandela estrellada en inserto roscado más exterior.



**NOTA:** Si es necesario instalar un luz mini de tablero, es más fácil instalar en este momento el soporte para esta luz antes de sujetar la superficie lateral a la unidad Brody.

5. Invierta los pasos del 1 al 3 para completar el ensamble de una superficie de trabajo lateral nueva.

## Reemplazo del soporte de la superficie de trabajo no personal

**1.** Con una palanca delgada o una barra para cristales, deslice con suavidad la palanca entre el capuchón y la pared inferior, teniendo cuidado de no dañar la tapicería.

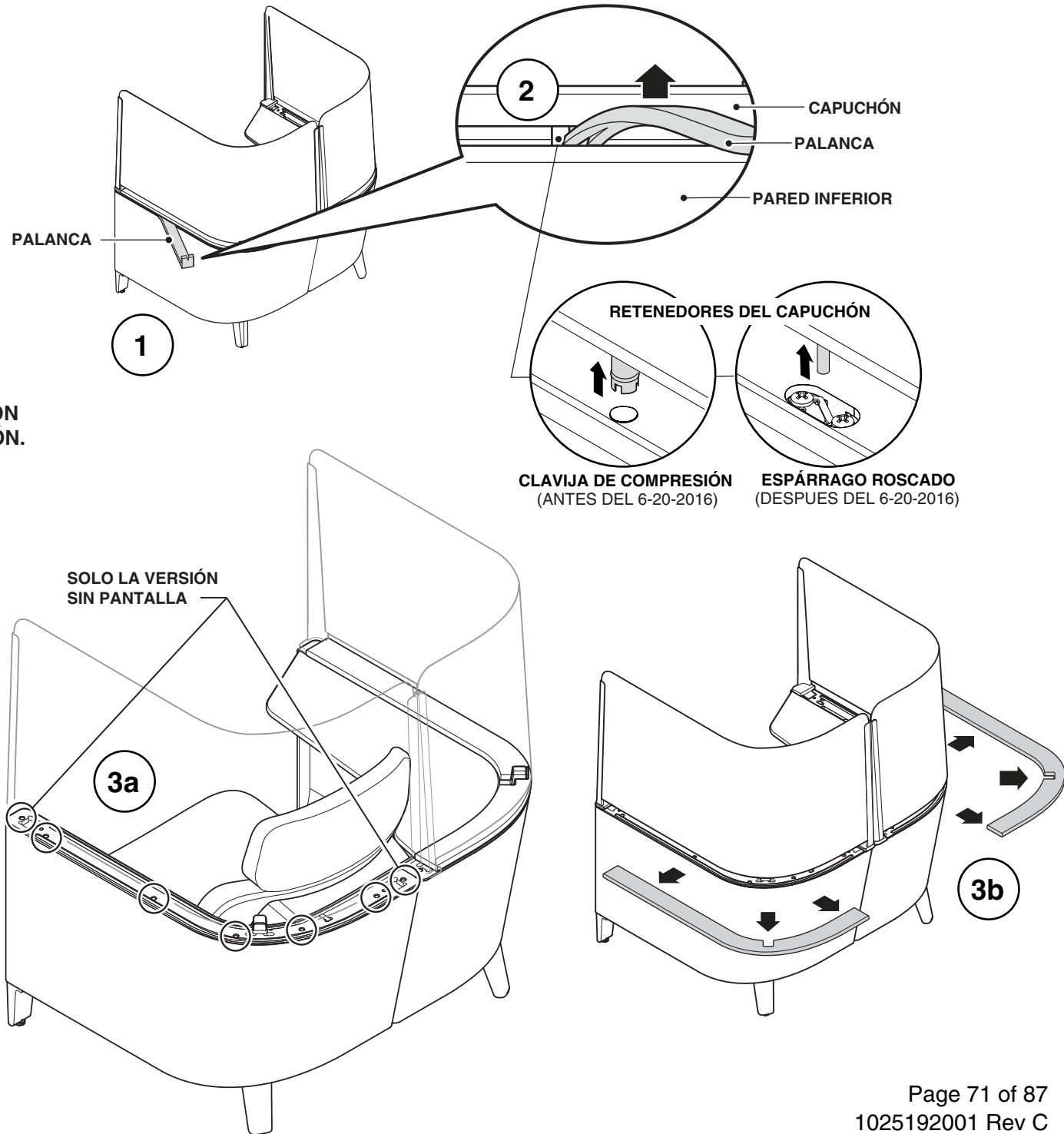
**NO TRATE DE FORZAR MÁS DE 1 PULGADA EN CUALQUIER RETENEDOR DEL CAPUCHÓN YA QUE ESTO PODRÍA DAÑAR AL CAPUCHÓN.**

**2.** Localice los retenedores del capuchón. Con suavidad fuerce el capuchón hacia arriba en el sitio de cada retenedor.

**NOTA:** Las versiones con pantalla protectora tienen solamente 5 retenedores del capuchón mientras que las unidades sin pantalla protectora tienen 7 en cada capuchón.

**NOTA:** Los retenedores del capuchón pueden ser uno de los dos tipos mostrados. El retiro del capuchón mediante palanca se aplica a ambos tipos de retenedores.

**3.** Trabaje alrededor de cada capuchón hasta que todos los retenedores queden desenganchados (3a). Retire los capuchones (3b).



## Reemplazo del soporte de la superficie de trabajo no personal (continuación)

**4.** Con una llave Allen de 6mm, retire los dos (2) sujetadores M8 que sostienen la superficie lateral a la pieza superior de fundición en la superficie de trabajo lateral.

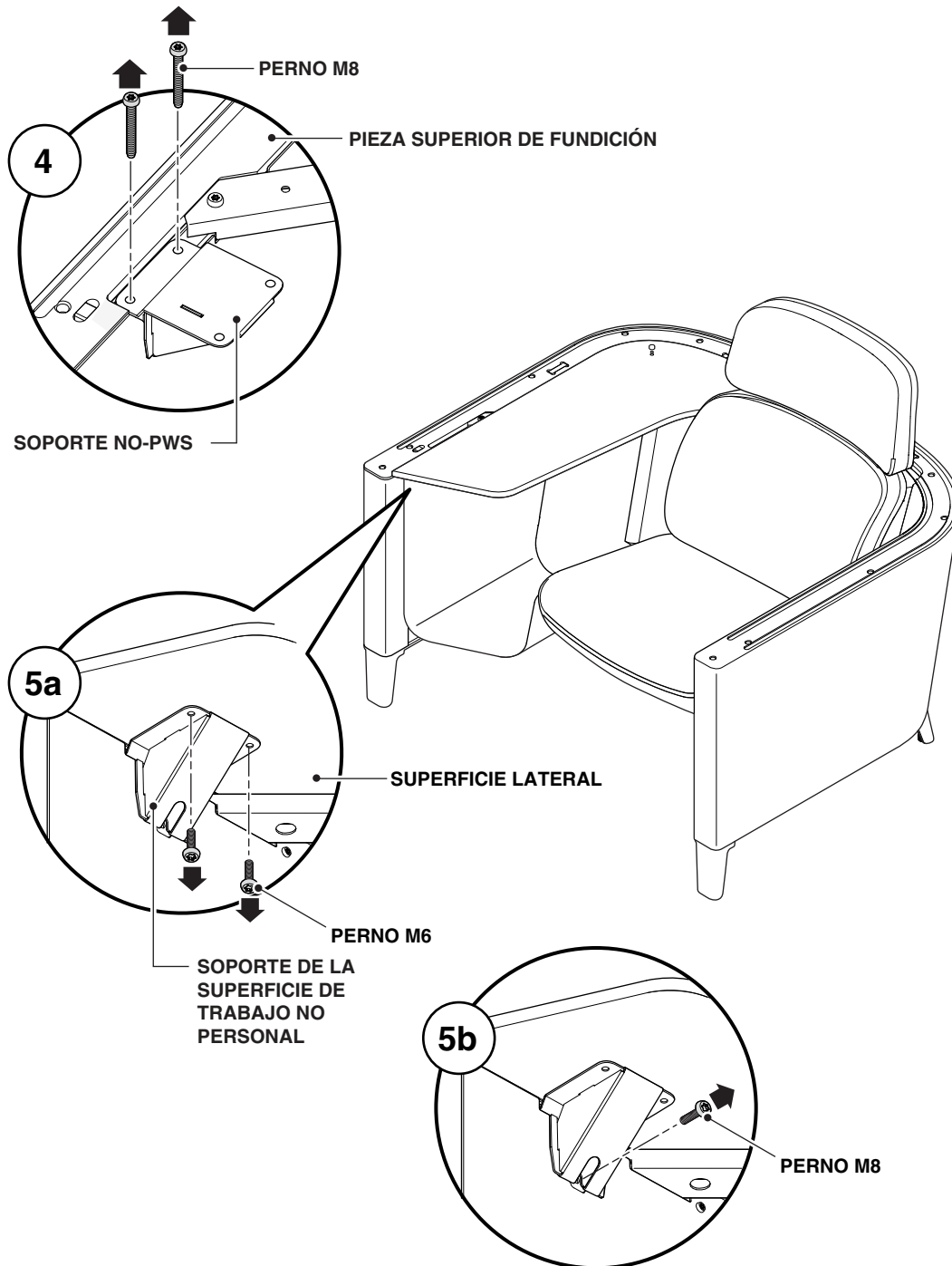
**5.** Con una punta Torx T40, retire los dos (2) pernos M6 (5a) y el un (1) perno M8 (5b) que sostienen la superficie de trabajo personal al marco de acero.

**6.** Con cuidado deslice la superficie de trabajo retirándola fuera de la parte inferior de la superficie lateral.

**NOTA:** No cargue la superficie lateral si la escuadra de soporte es retirada.

**7.** Invierta los pasos del 4 al 6 para instalar un nuevo soporte no-PSW (superficie de trabajo no personal).

**NOTA:** Superficie lateral retirada de la ilustración para mayor claridad



## Reemplazo del soporte de la superficie de trabajo no personal (continuación)

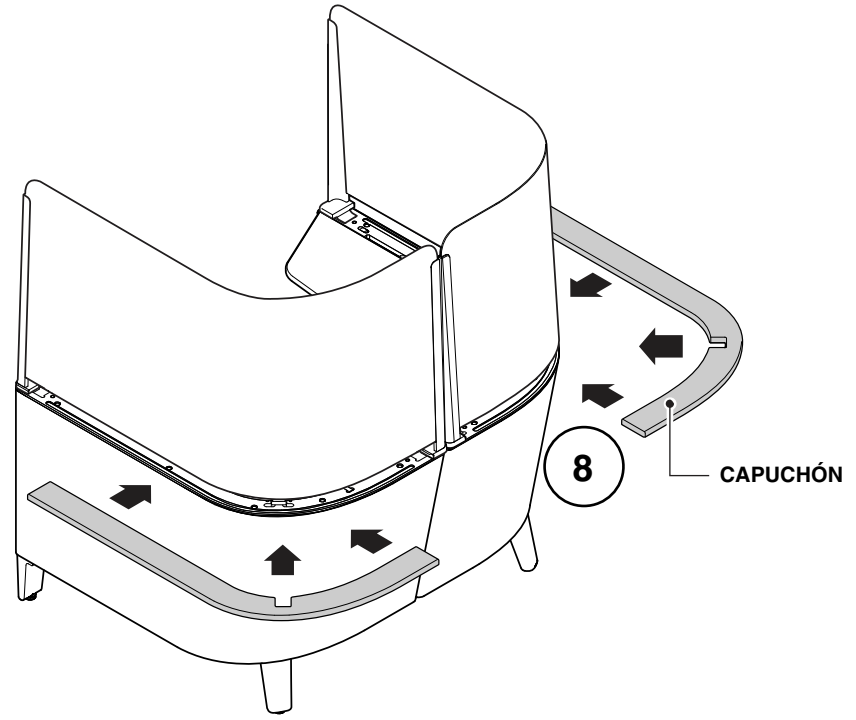
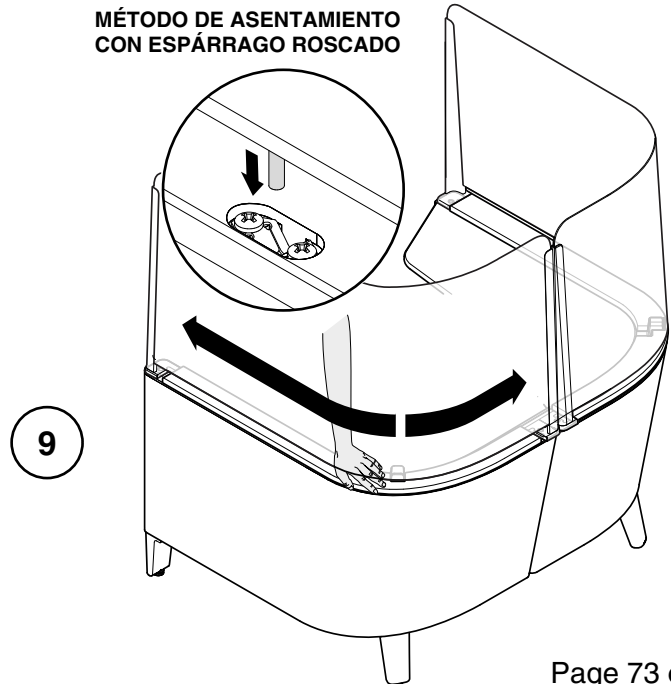
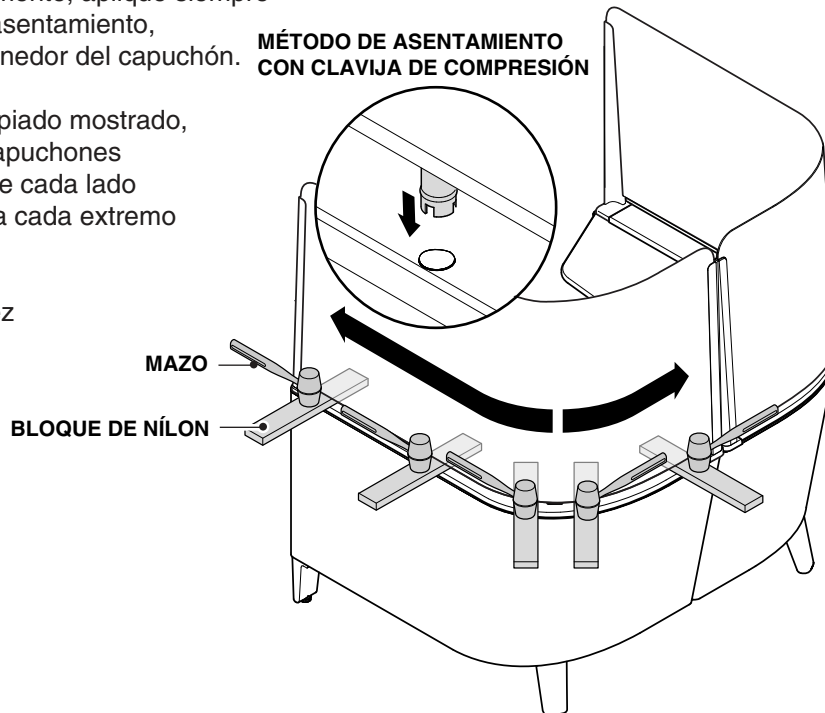
**NOTA:** Para evitar dañar el producto, identifique el tipo de retenedor del capuchón en uso y remítase al método de asentamiento apropiado mostrado del retenedor del capuchón.

**8.** Coloque los capuchones entre la pantalla protectora y la unidad base. Localice la clavija de compresión o los retenedores de capuchón del espárrago roscado sobre los orificios o las presillas en la unidad base. Presione ligeramente hacia abajo para inicialmente enganchar todos los retenedores en la unidad base.

**NOTA:** Sea que asiente el capuchón con el bloque de nilón y el mazo, o manualmente, aplique siempre con precaución la fuerza de asentamiento, directamente sobre cada retenedor del capuchón.

**9.** Aplicando el método apropiado mostrado, asiente completamente los capuchones trabajando hacia afuera desde cada lado del soporte tercera-pata hacia cada extremo del capuchón.

¡Usted ha completado una vez que haya nivelado los niveladores, inspeccionado y limpiado la unidad!



## Reemplazo de la pantalla de privacidad

**1.** Con una palanca delgada o una barra para cristales, deslice con suavidad la palanca entre el capuchón y la pared inferior, teniendo cuidado de no dañar la tapicería.

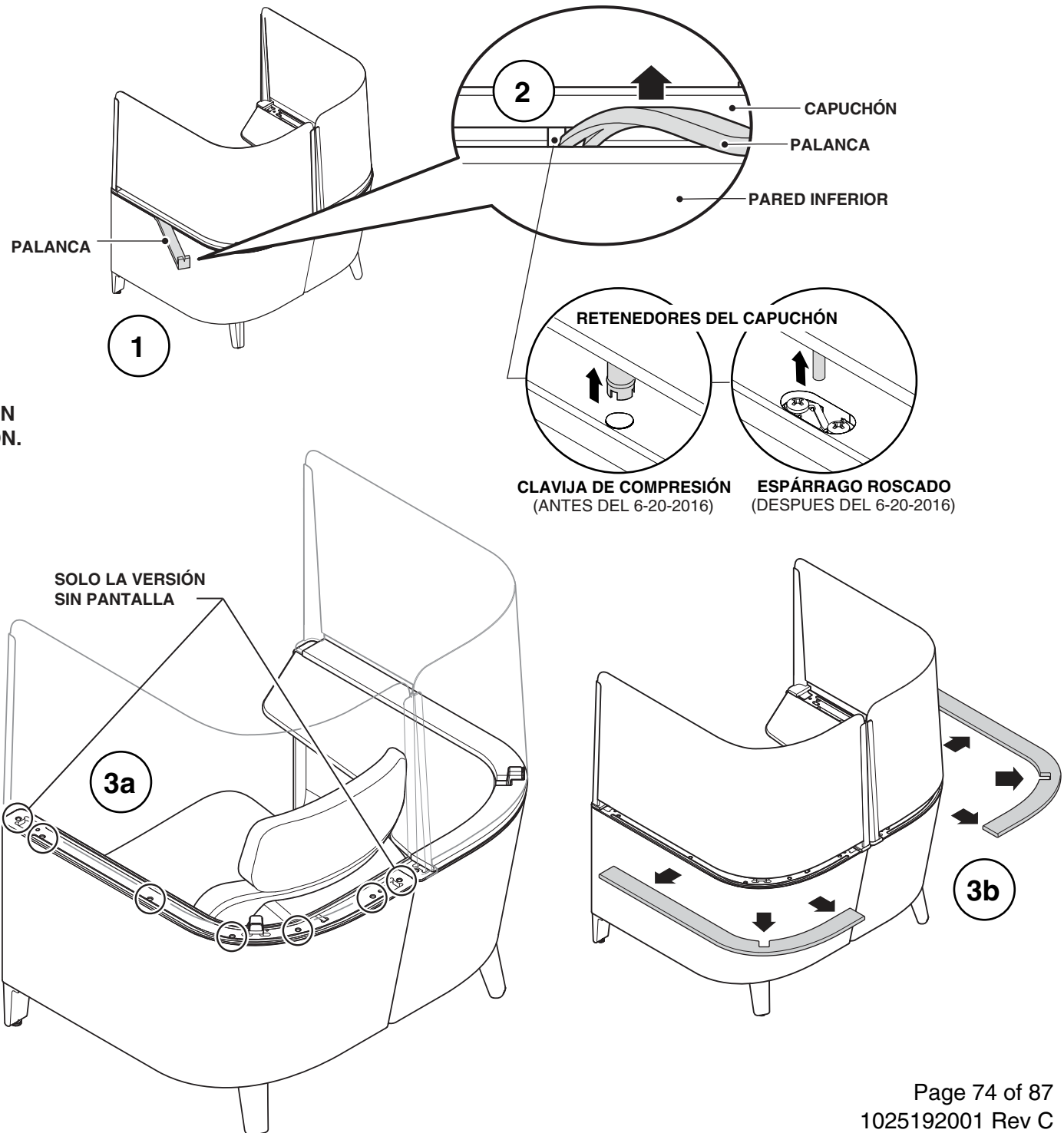
**NO TRATE DE FORZAR MÁS DE 1 PULGADA EN CUALQUIER RETENEDOR DEL CAPUCHÓN YA QUE ESTO PODRÍA DAÑAR AL CAPUCHÓN.**

**2.** Localice los retenedores del capuchón. Con suavidad fuerce hacia arriba en el capuchón en el sitio de cada retenedor.

**NOTA:** Las versiones con pantalla protectora tienen solamente 5 retenedores del capuchón mientras que las unidades sin pantalla protectora tienen 7 en cada capuchón.

**NOTA:** Los retenedores del capuchón pueden ser uno de los dos tipos mostrados. El retiro del capuchón mediante palanca se aplica a ambos tipos de retenedores.

**3.** Trabaje alrededor de cada capuchón hasta que todos los retenedores queden desenganchados (3a). Retire los capuchones (3b).

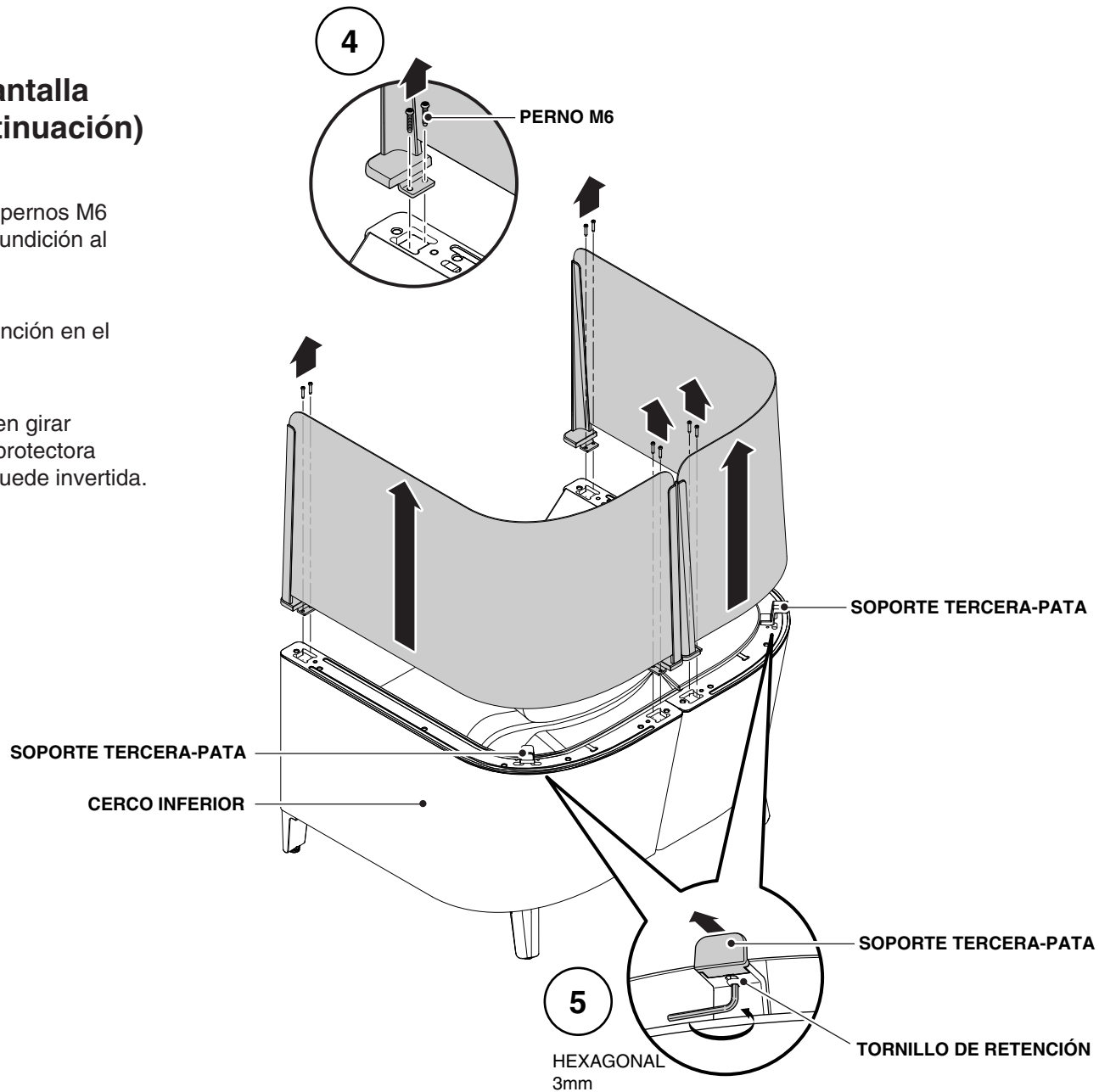


## Reemplazo de la pantalla de privacidad (continuación)

**4.** Retire todos los ocho (8) pernos M6 que sostienen las bases de fundición al cerco inferior.

**5.** Afloje los tornillos de retención en el soporte tercera-pata.

**6.** Dos (2) instaladores deben girar cuidadosamente la pantalla protectora sobre el piso de forma que quede invertida.





## Reemplazo de la pantalla de privacidad (continuación)

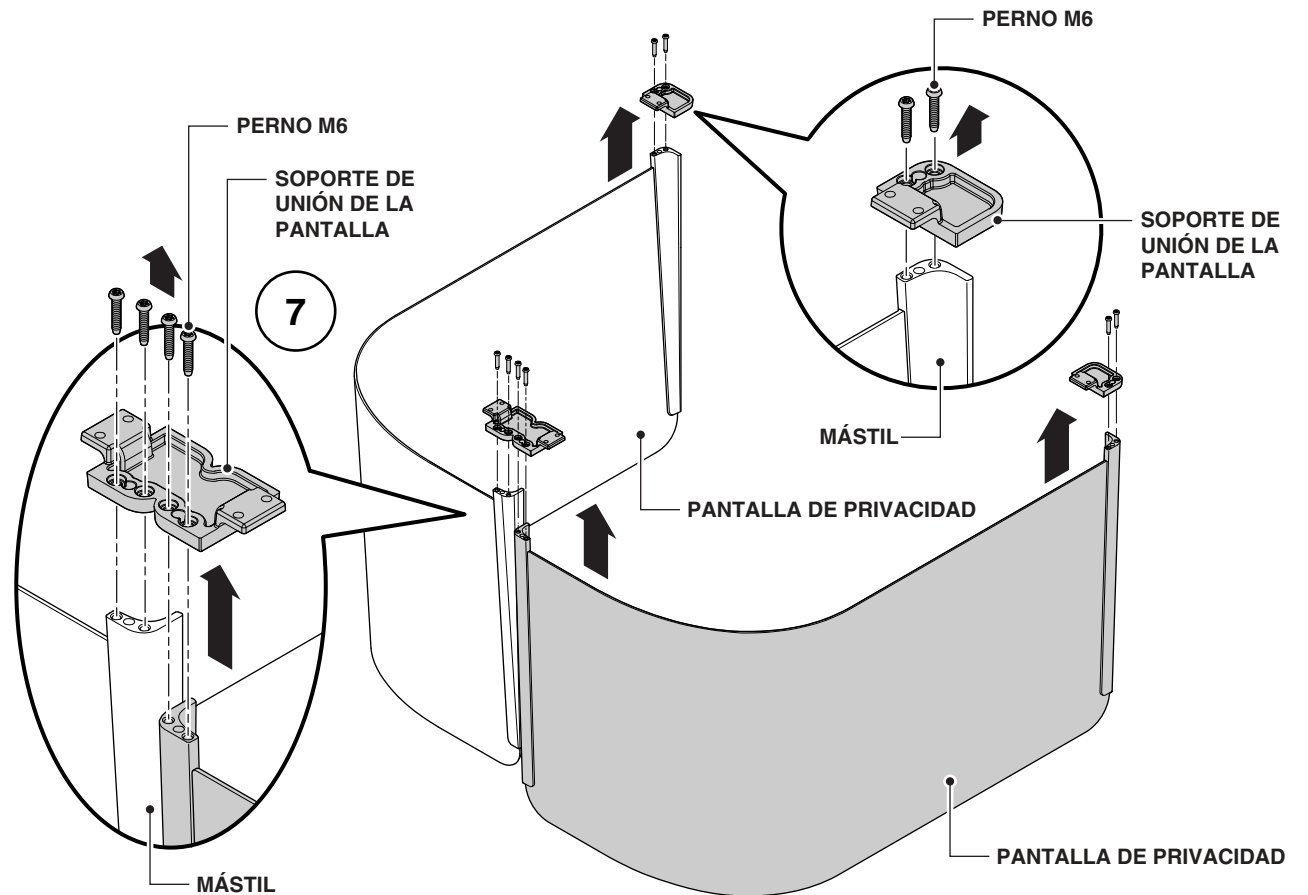
**7.** Retire todos los ocho (8) pernos M6 que sujetan los soportes de unión de la pantalla protectora a los mástiles.

**SI LA PANTALLA ESTÁ TAPIZADA VAYA ADELANTE AL PASO 13**

**8.** Afloje el tornillo de retención que sostiene la pantalla protectora en su sitio.

**9.** Retire con suavidad la pantalla acrílica deslizando el mástil de fundición fuera de los dientes del interior de la pieza fundida.

**10.** Vuelva a colocar la pantalla acrílica deslizando el mástil de fundición en la pieza acrílica e invirtiendo los pasos 7 y 8.

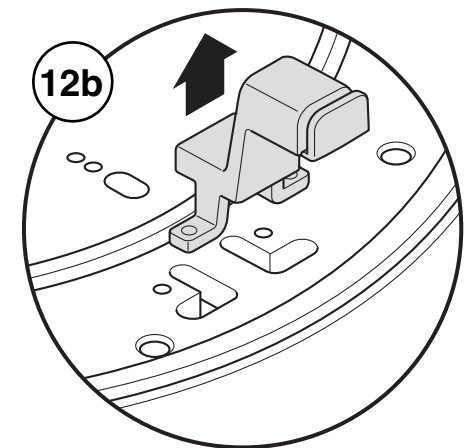
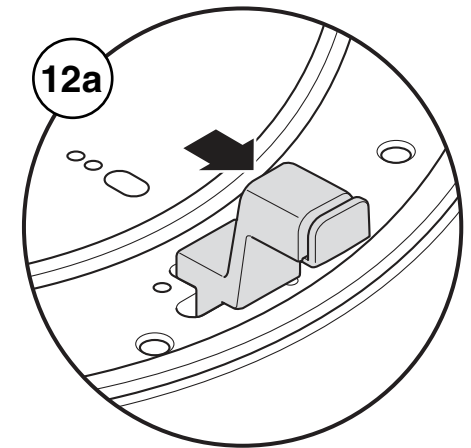
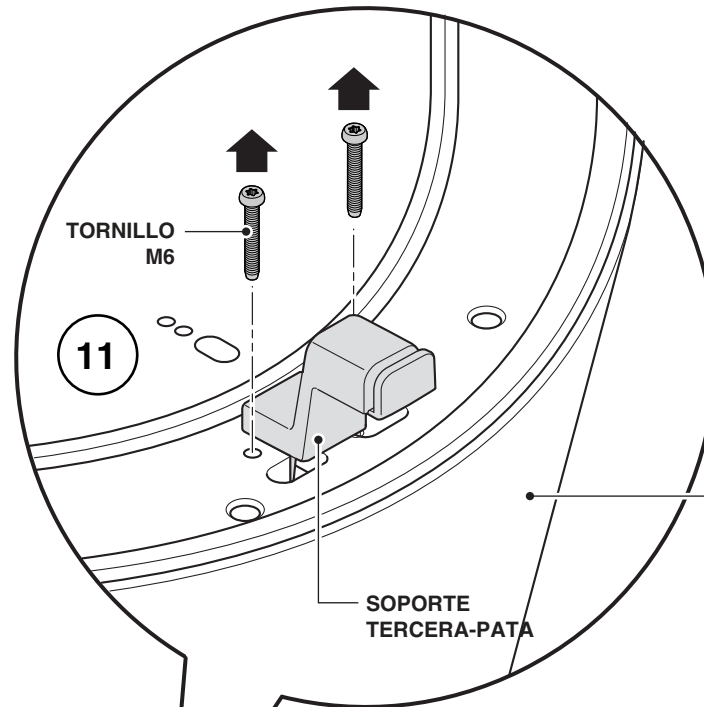
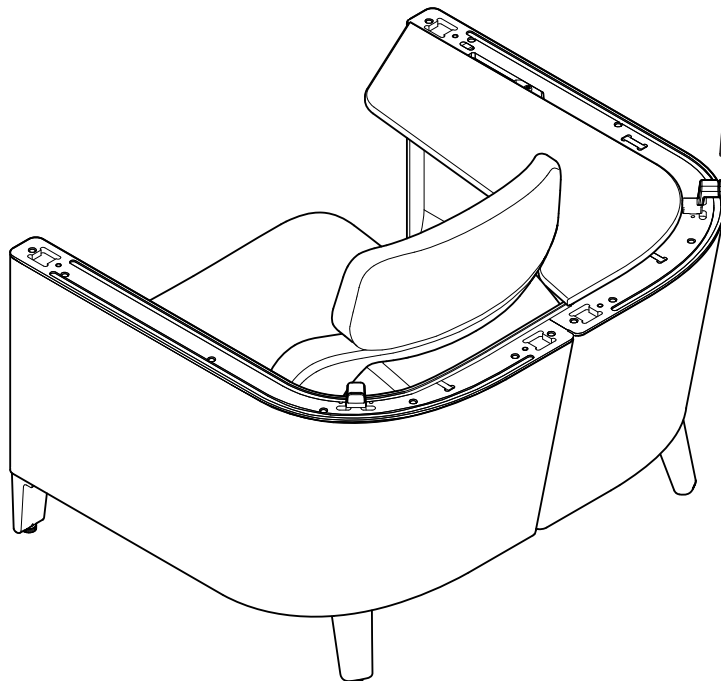


## Reemplazo de la pantalla de privacidad (continuación)

**11.** Si el soporte tercera-pata necesita ser cambiado empiece retirando los dos (2) tornillos M6 que lo sujetan al cerco inferior.

**12.** Empuje la pieza de fundición hacia la parte de atrás de la unidad (12a) y luego hale la pata de base doblada hacia arriba a través de las ranuras de la pared interior (12b).

**13.** Invierta los pasos 11 y 12 para instalar el repuesto del soporte tercera-pata.



CERCO INFERIOR

SOPORTE TERCERA-PATA

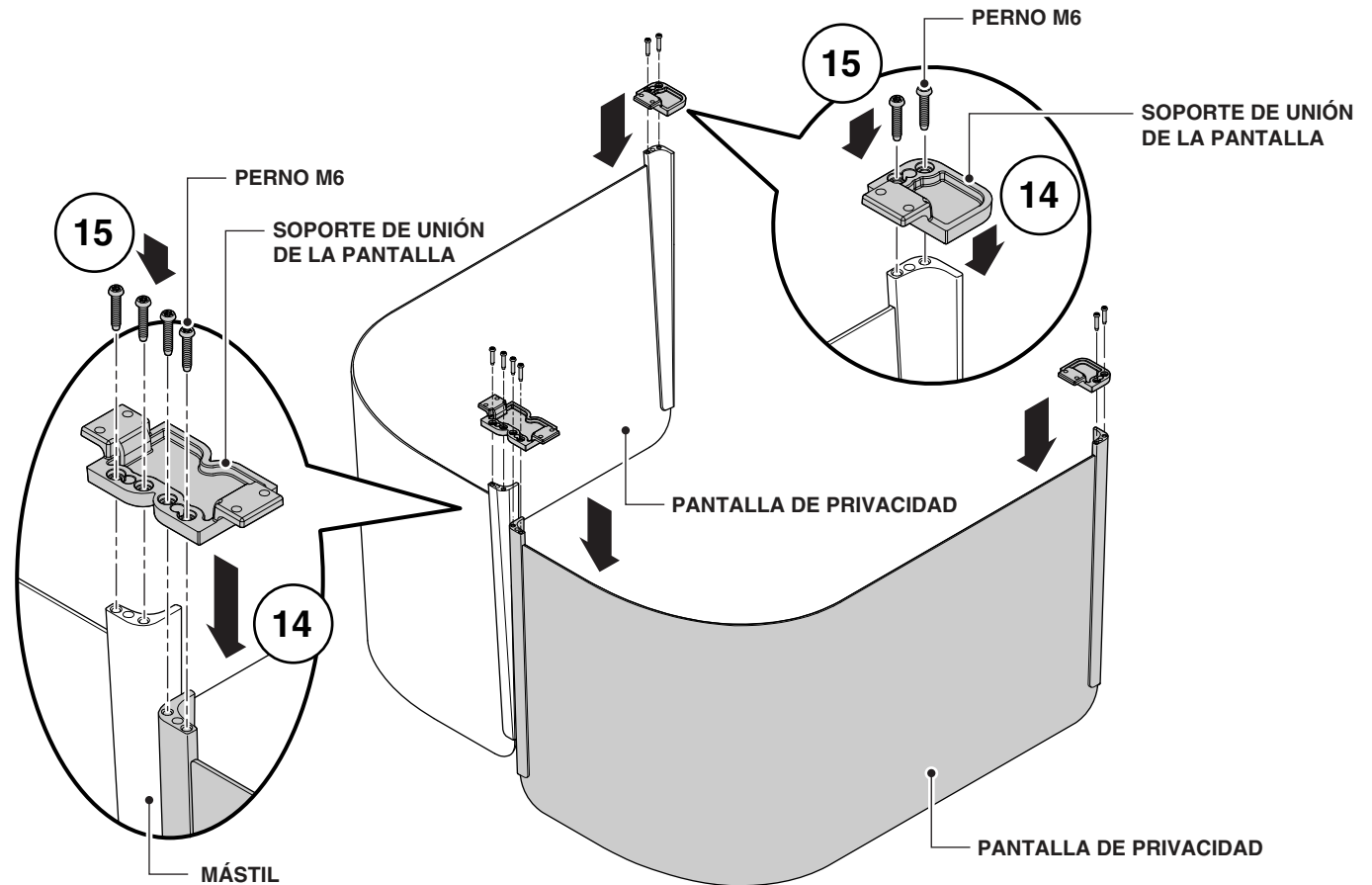
## Reemplazo de la pantalla de privacidad (continuación)

**14.** Coloque el soporte de unión de la pantalla en los mástiles de aluminio.

**15.** Instale los soportes de unión de la pantalla al mástil de la pantalla con dos (2) pernos M6 por cada mástil de la pantalla y apretando con una punta Torx T30.

**NOTA: NO** aplique mucho par de tensión o la rosca podría dañarse.

**16.** Instale la nueva pantalla protectora en la unidad base invirtiendo los pasos del 4 al 6.



## Reemplazo de la pantalla de privacidad (continuación)

**NOTA:** Para evitar dañar el producto, identifique el tipo de retenedor del capuchón en uso y remítase al método de asentamiento apropiado mostrado para el retenedor del capuchón.

**17.** Coloque los capuchones entre la pantalla protectora y la unidad base. Localice la clavija de compresión o los retenedores de capuchón del espárrago roscado sobre los orificios o las presillas en la unidad base. Presione ligeramente hacia abajo para inicialmente enganchar todos los retenedores en la unidad base.

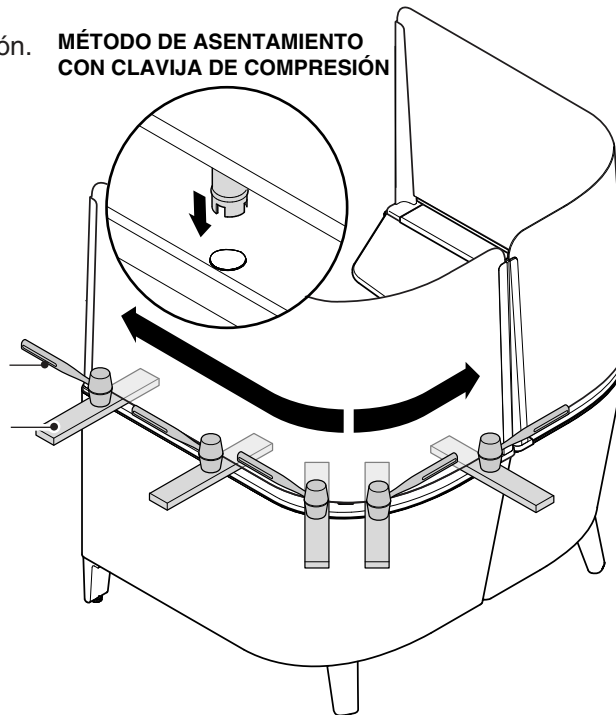
**NOTA:** Sea que asiente el capuchón con el bloque de nilón y el mazo, o manualmente, aplique siempre con precaución la fuerza de asentamiento, directamente sobre cada retenedor del capuchón.

**18.** Aplicando el método apropiado mostrado, asiente completamente los capuchones trabajando hacia afuera desde cada lado del soporte tercera-pata hacia cada extremo del capuchón.

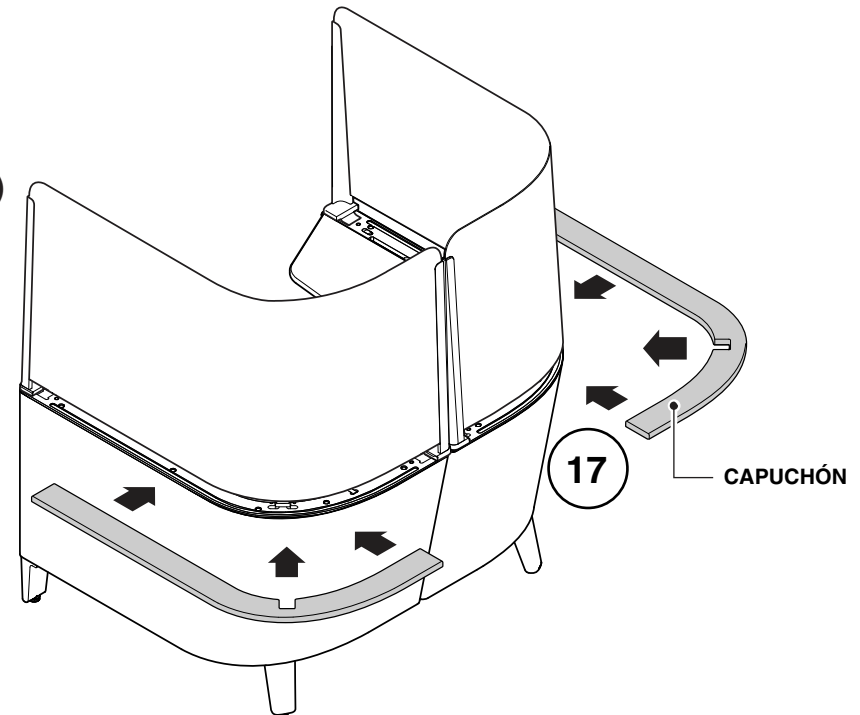
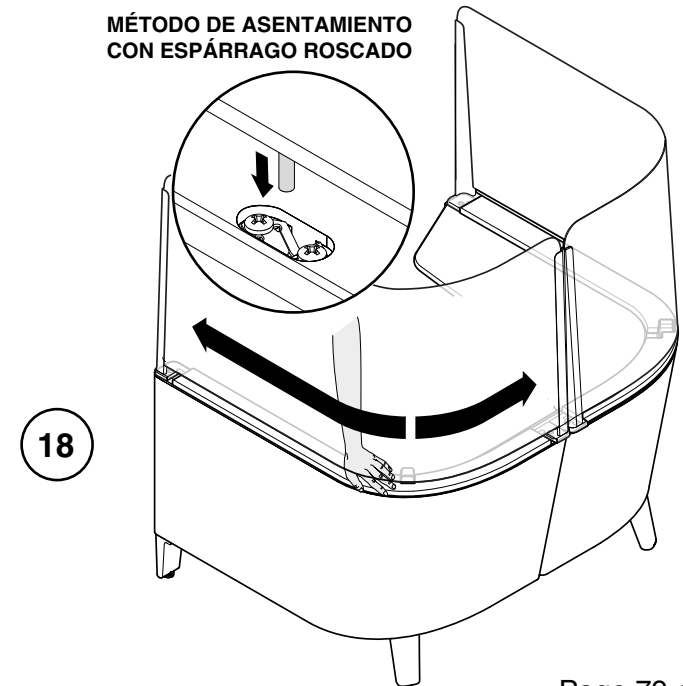
¡Usted ha completado una vez que haya nivelado los niveladores, inspeccionado y limpiado la unidad!

MAZO  
BLOQUE DE NÍLON

MÉTODO DE ASENTAMIENTO  
CON CLAVIJA DE COMPRESIÓN



MÉTODO DE ASENTAMIENTO  
CON ESPÁRRAGO ROSCADO



## Reemplazo de la moldura superior

**1.** Con una palanca delgada o una barra para cristales, deslice con suavidad la palanca entre el capuchón y la pared inferior, teniendo cuidado de no dañar la tapicería

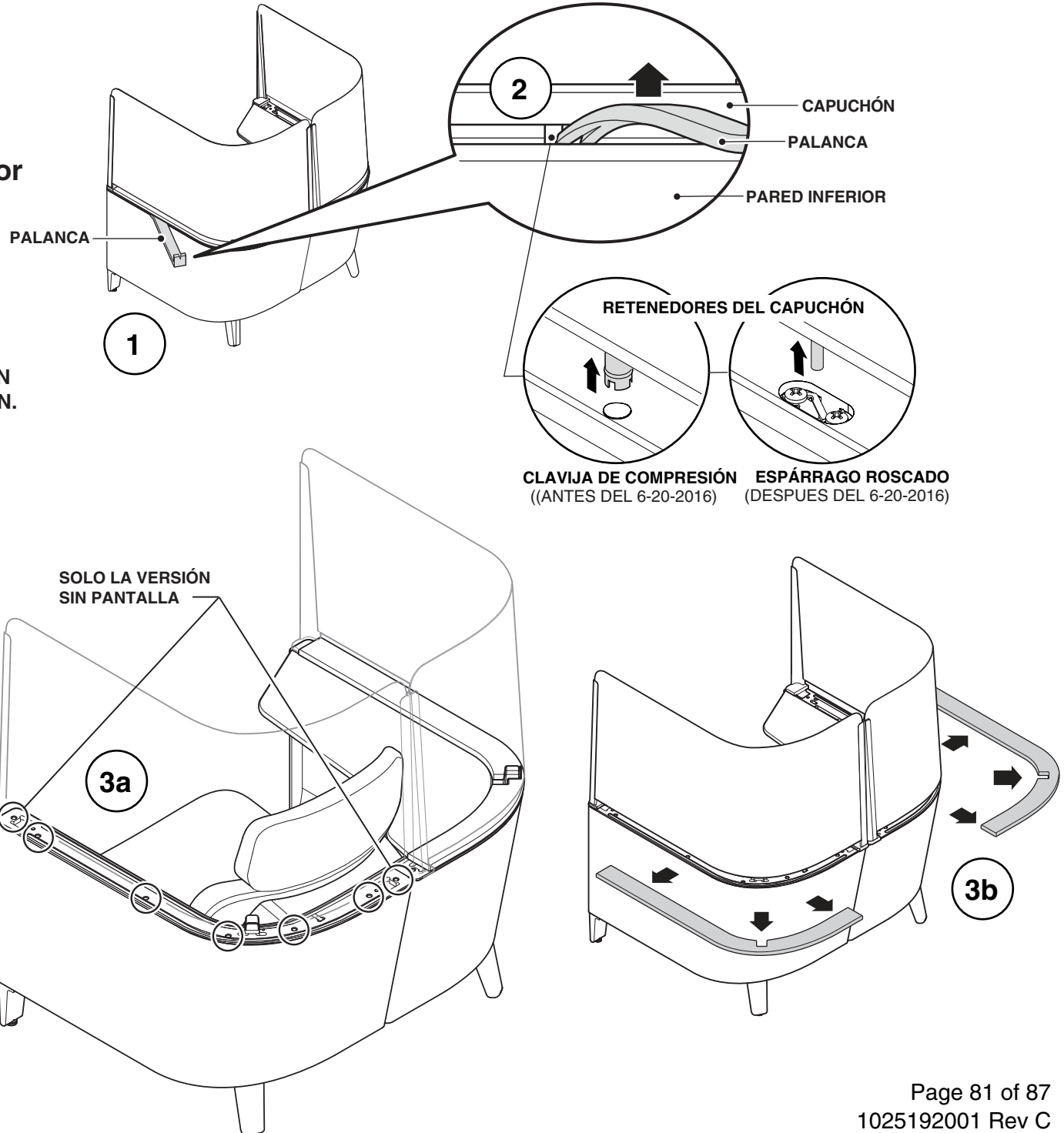
**NO TRATE DE FORZAR MÁS DE 1 PULGADA EN CUALQUIER RETENEDOR DEL CAPUCHÓN YA QUE ESTO PODRÍA DAÑAR AL CAPUCHÓN.**

**2.** Localice los retenedores del capuchón. Con suavidad fuerce hacia arriba en el capuchón en el sitio de cada retenedor.

**NOTA:** Las versiones con pantalla protectora tienen solamente 5 retenedores del capuchón mientras que las unidades sin pantalla protectora tienen 7 en cada capuchón.

**NOTA:** Los retenedores del capuchón pueden ser uno de los dos tipos mostrados. El retiro del capuchón mediante palanca se aplica a ambos tipos de retenedores

**3.** Trabaje alrededor de cada capuchón hasta que todos los retenedores queden desenganchados (3a). Retire los capuchones (3b).



## Reemplazo de la moldura superior (continuación)

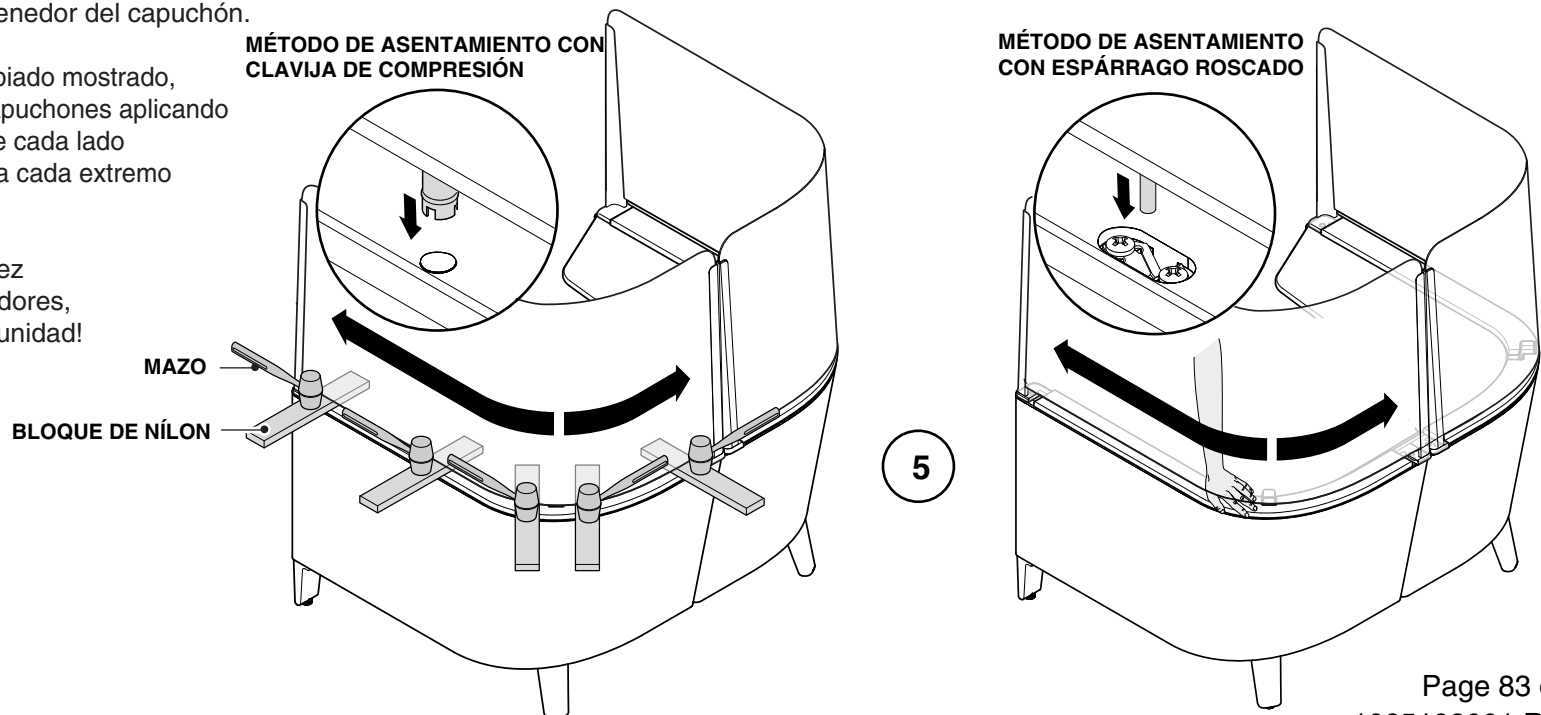
**NOTA:** Para evitar dañar el producto, identifique el tipo de retenedor del capuchón en uso y remítase al método de asentamiento apropiado mostrado para el retenedor del capuchón.

**4.** Coloque los capuchones entre la pantalla protectora y la unidad base. Localice la clavija de compresión o los retenedores de capuchón del espárrago roscado sobre los orificios o las presillas en la unidad base. Presione ligeramente hacia abajo para inicialmente enganchar todos los retenedores en la unidad base.

**NOTA:** Sea que asiente el capuchón con el bloque de nilón y el mazo, o manualmente, aplique siempre con precaución la fuerza de asentamiento, directamente sobre cada retenedor del capuchón.

**5.** Aplicando el método apropiado mostrado, asiente completamente los capuchones aplicando su método hacia afuera desde cada lado del soporte tercera-pata hacia cada extremo del capuchón.

¡Usted ha completado una vez que haya nivelado los niveladores, inspeccionado y limpiado la unidad!



## Reemplazo de la pared de extensión

**1.** Con una palanca delgada o una barra para cristales, deslice con suavidad la palanca entre el capuchón y la pared inferior, teniendo cuidado de no dañar la tapicería.

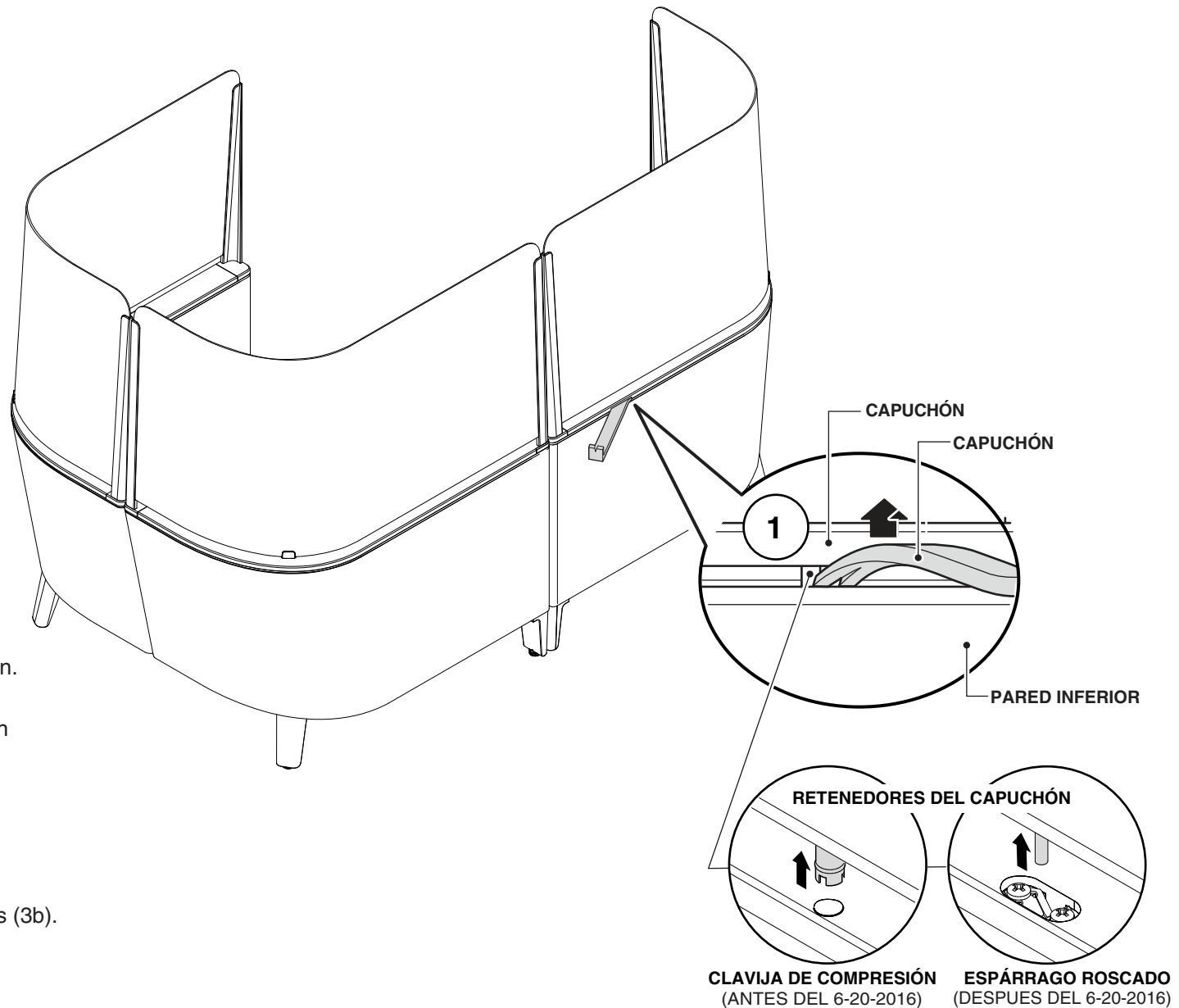
**NO TRATE DE FORZAR MÁS DE 1 PULGADA EN CUALQUIER RETENEDOR DEL CAPUCHÓN YA QUE ESTO PODRÍA DAÑAR AL CAPUCHÓN.**

**2.** Localice los retenedores del capuchón. Con suavidad fuerce hacia arriba en el capuchón en el sitio de cada retenedor.

**NOTA:** Las versiones con pantalla protectora tienen solamente 5 retenedores del capuchón mientras que las unidades sin pantalla protectora tienen 7 en cada capuchón.

**NOTA:** Los retenedores del capuchón pueden ser uno de los dos tipos mostrados. El retiro del capuchón mediante palanca se aplica a ambos tipos de retenedores.

**3.** Trabaje alrededor de cada capuchón hasta que todos los retenedores queden desenganchados (3a). Retire los capuchones (3b).





## Reemplazo de la pared de extensión (continuación)

**3.** Trabaje alrededor de cada capuchón hasta que todos los retenedores de capuchón se hayan desenganchado.

**4.** Retire los capuchones y póngalos en un lugar seguro donde no se los pueda pisar ni dañar.

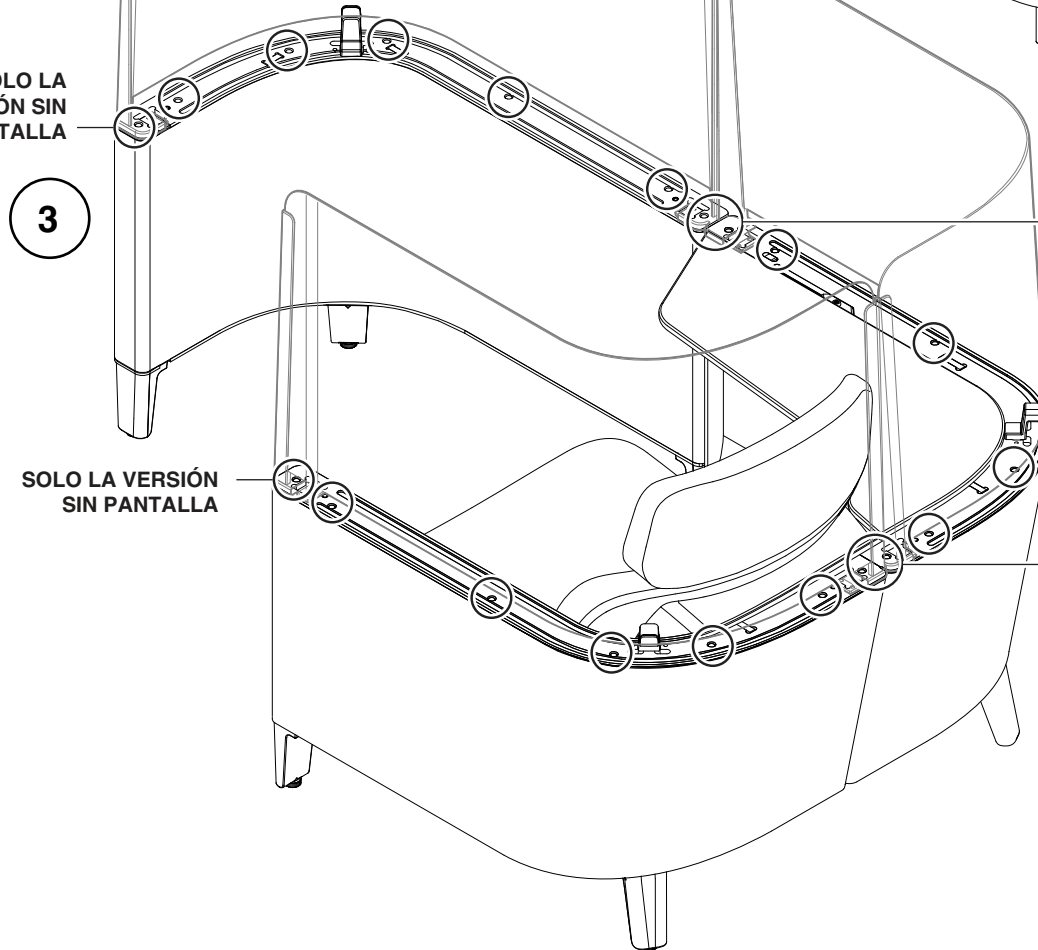
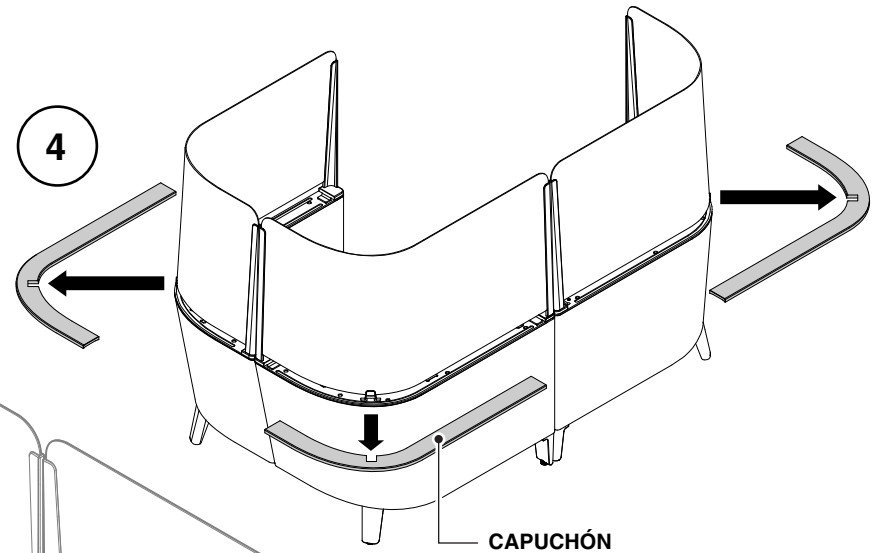
SOLO LA VERSIÓN SIN PANTALLA

3

SOLO LA VERSIÓN SIN PANTALLA

SOLO LA VERSIÓN SIN PANTALLA

SOLO LA VERSIÓN SIN PANTALLA



## Reemplazo de la pared de extensión (continuación)

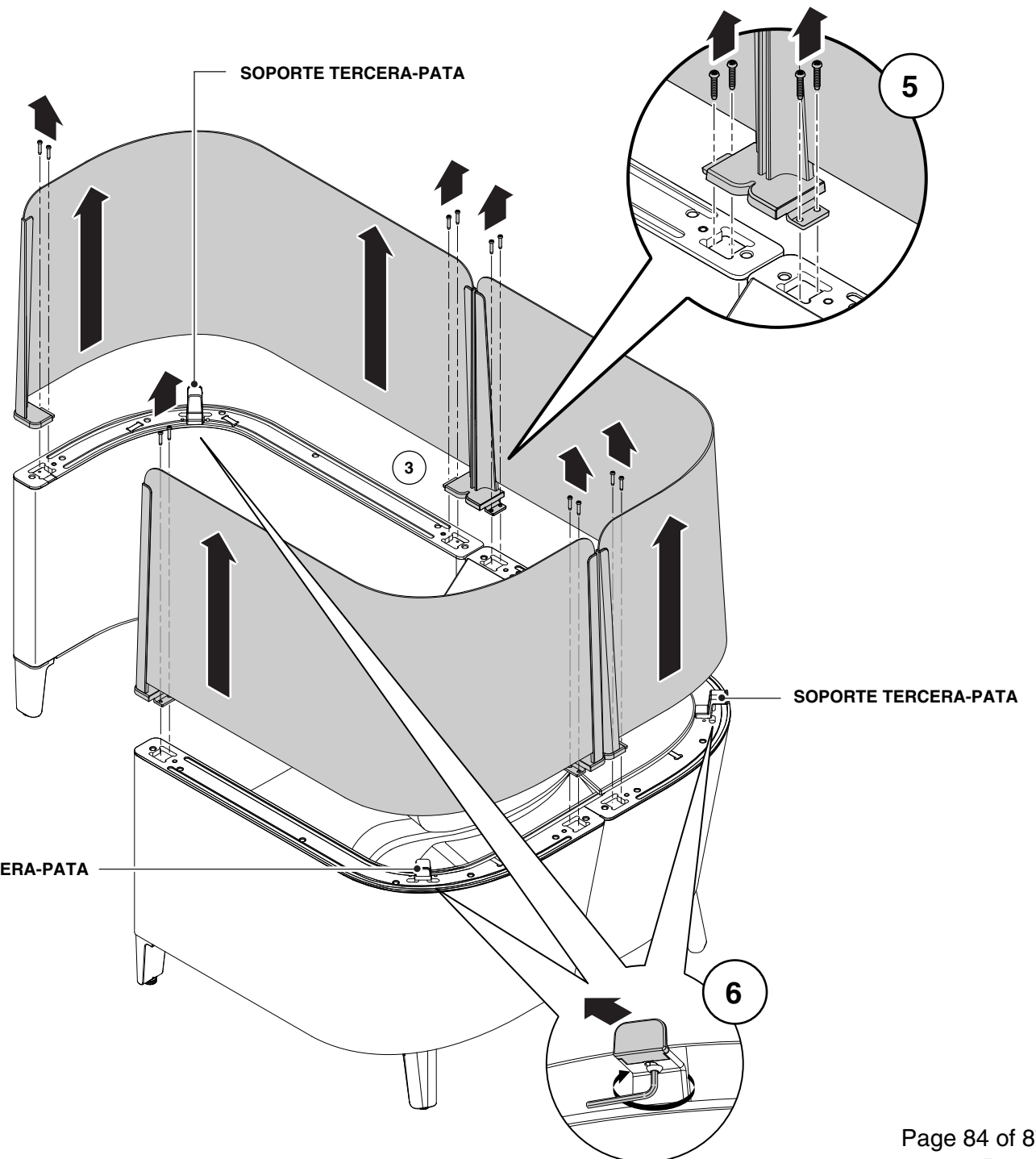
**5.** Con una punta Torx T30 retire los pernos M6 que sujetan las piezas fundidas principales de la pantalla a la unidad base.

**6.** Afloje el tornillo de retención del soporte tercera-pata.

**7.** Entre dos o tres personas, levanten con suavidad, giren la pantalla, colóquenla invertida y pónganla sobre una superficie limpia para dar servicio a las pantallas protectoras de la pared de extensión o a las piezas fundidas de a pantalla.

**SI NECESITA DAR SERVICIO A CUALQUIERA DE LOS COMPONENTES DE LA PANTALLA POR FAVOR VEA LAS INSTRUCCIONES DE SERVICIO A LA PANTALLA**

SOPORTE TERCERA-PATA



## Reemplazo de la pared de extensión (continuación)

**8.** Entre dos personas gire con suavidad la unidad sobre su lado y sobre una superficie limpia. Asegúrese de no permitir que la pared de extensión gire independientemente de la unidad principal ya que eso dañaría el soporte de acoplamiento.

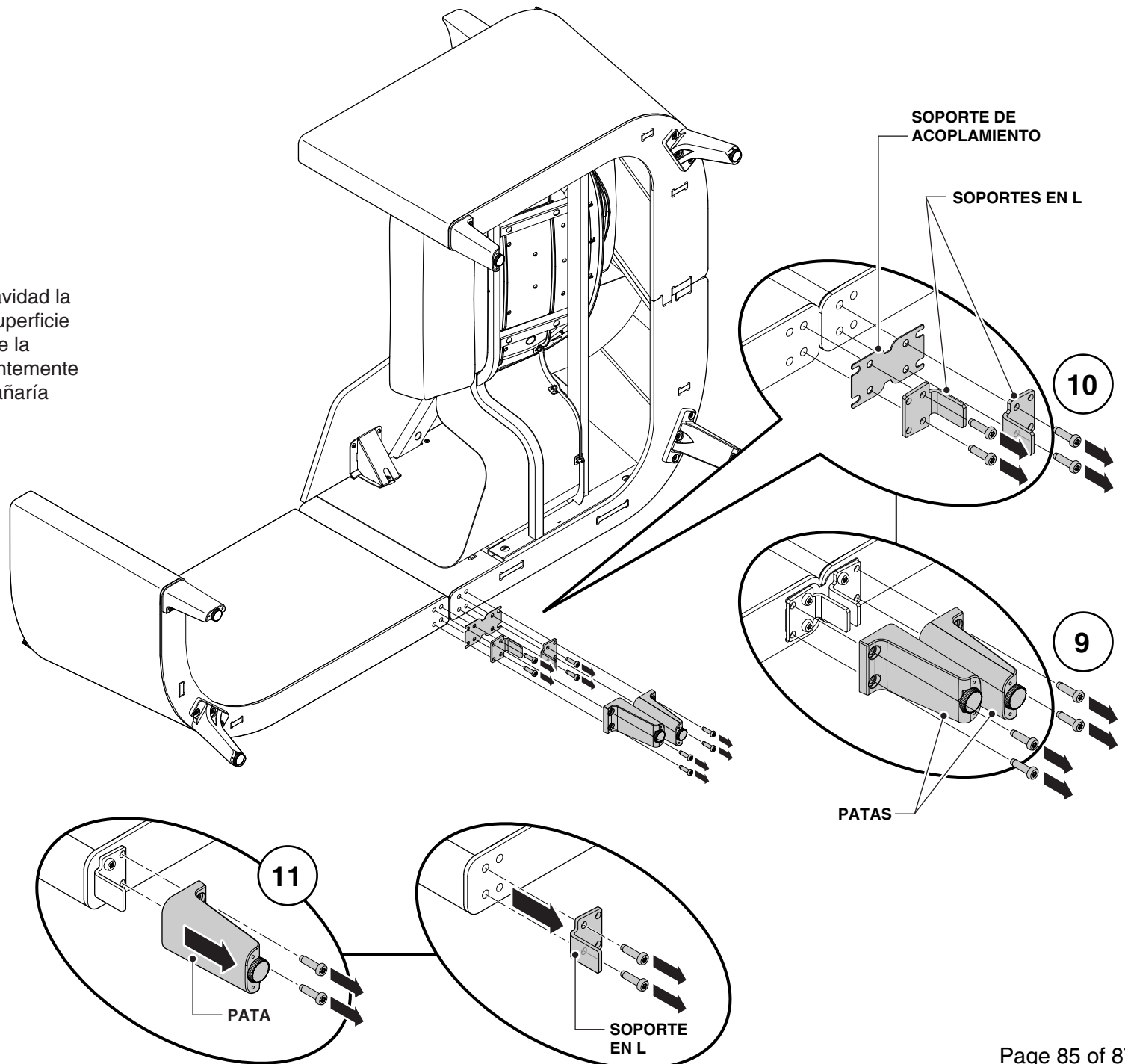
**9.** Retire los tornillos que sujetan las patas entre la unidad principal y la pared de extensión.

**10.** Retire los tornillos que sujetan los soportes en L a la pared de extensión.

**11.** Si tiene una nueva pared de extensión deberá retirar la pata y el soporte en L del tramo largo y así preparar para el próximo paso.

**12.** Invierta los pasos del 9 al 11 para instalar nuevas patas.

**13.** Invierta los pasos del 5 al 7 para instalar la pantalla.



## Reemplazo de la pared de extensión (continuación)

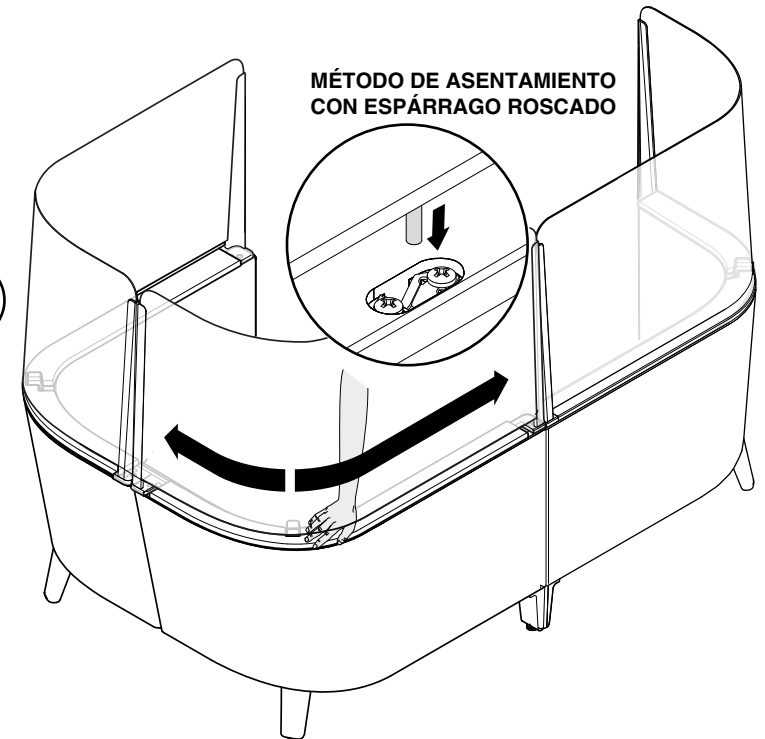
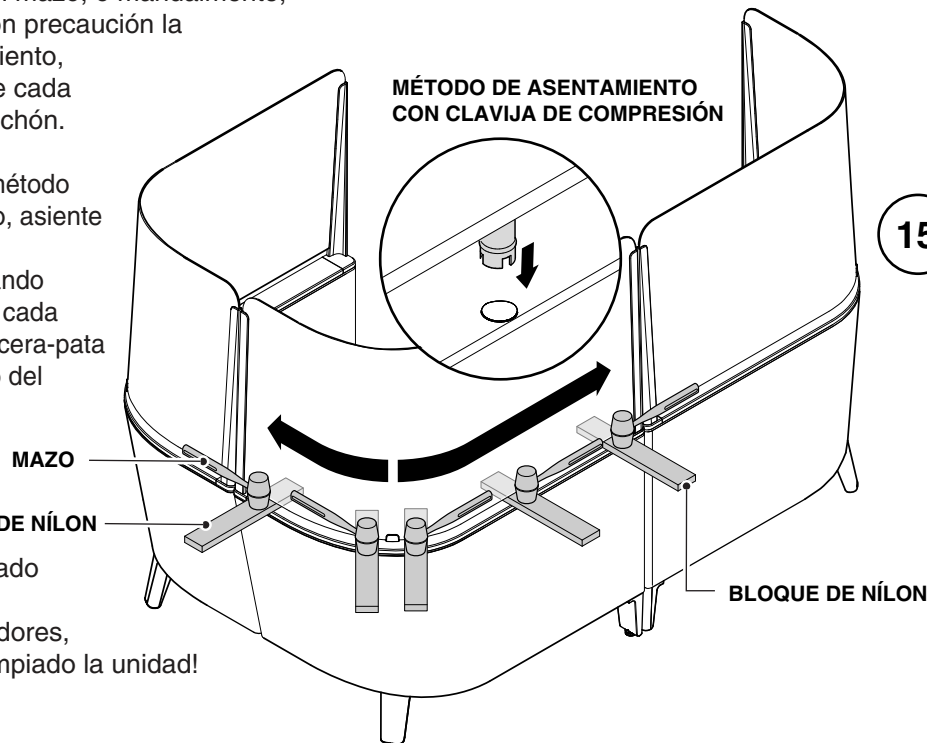
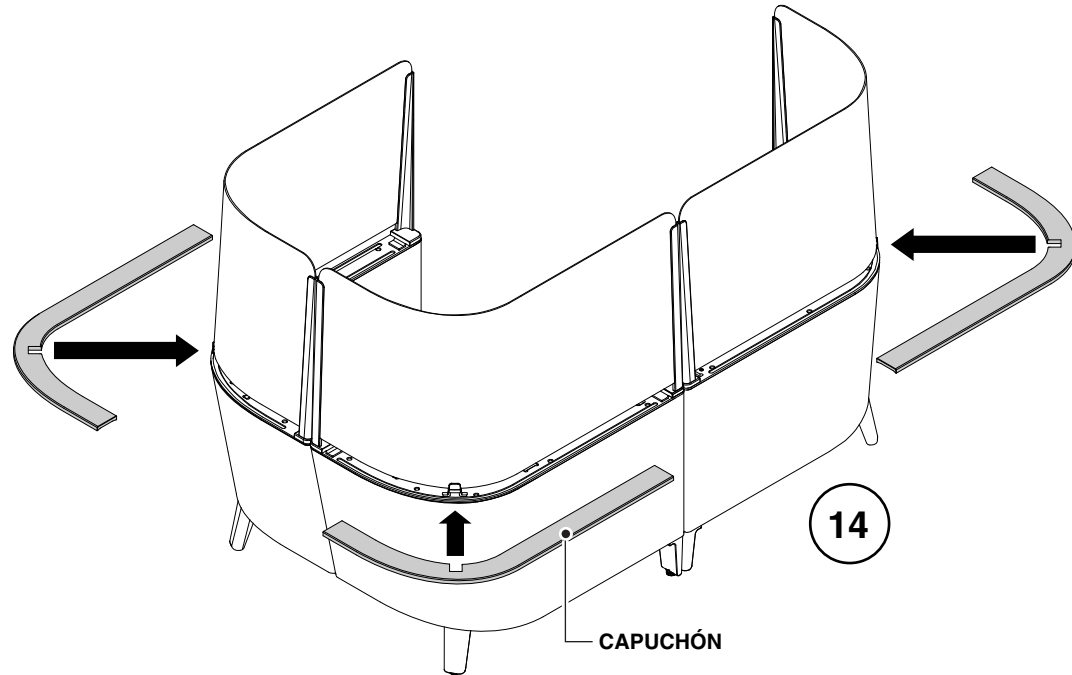
**NOTA:** Para evitar dañar el producto, identifique el tipo de retenedor del capuchón en uso y remítase al método de asentamiento apropiado mostrado del retenedor del capuchón.

**14.** Coloque los capuchones entre la pantalla protectora y la unidad base. Localice la clavija de compresión o los retenedores de capuchón del espárrago roscado sobre los orificios o las presillas en la unidad base. Presione ligeramente hacia abajo para inicialmente enganchar todos los retenedores en la unidad base.

**NOTA:** Sea que asiente el capuchón con el bloque de nilón y el mazo, o manualmente, aplique siempre con precaución la fuerza de asentamiento, directamente sobre cada retenedor del capuchón.

**15.** Aplicando el método apropiado mostrado, asiente completamente los capuchones trabajando hacia afuera desde cada lado del soporte tercera-pata hacia cada extremo del capuchón.

¡Usted ha completado una vez que haya nivelado los niveladores, inspeccionado y limpiado la unidad!

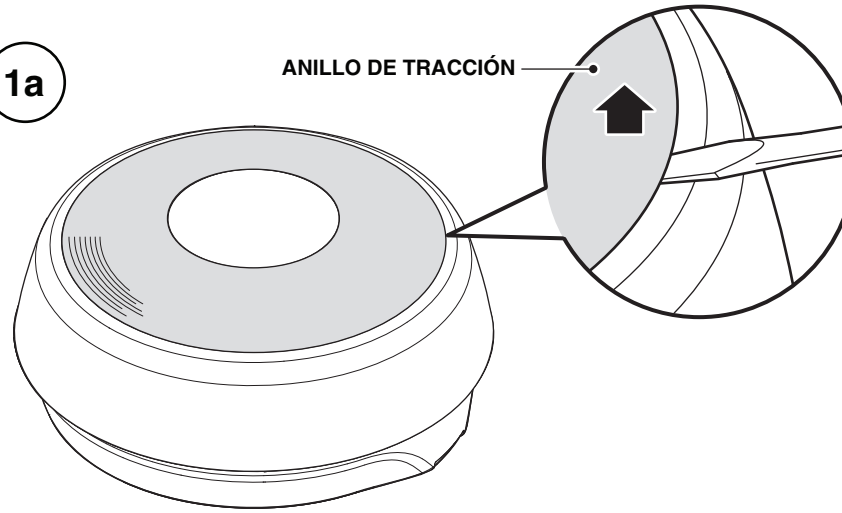


## Reparación/reemplazo del reposapiés

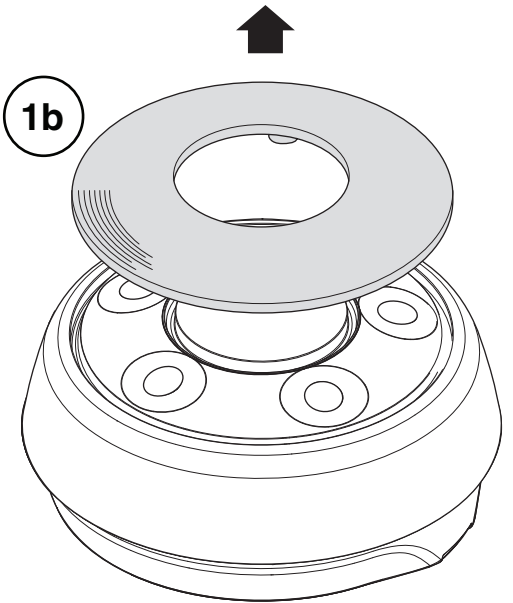
**1.** Con una herramienta de punta ancha, tal como un destornillador plano de punta grande, haga palanca con cuidado en el extremo del anillo de tracción alejándolo de la parte baja plástica (1a). Debe oírse un clic producido al desengancharse de la parte inferior los tubos de encaje a presión. Retire el anillo de tracción (1b).

1a

ANILLO DE TRACCIÓN



1b

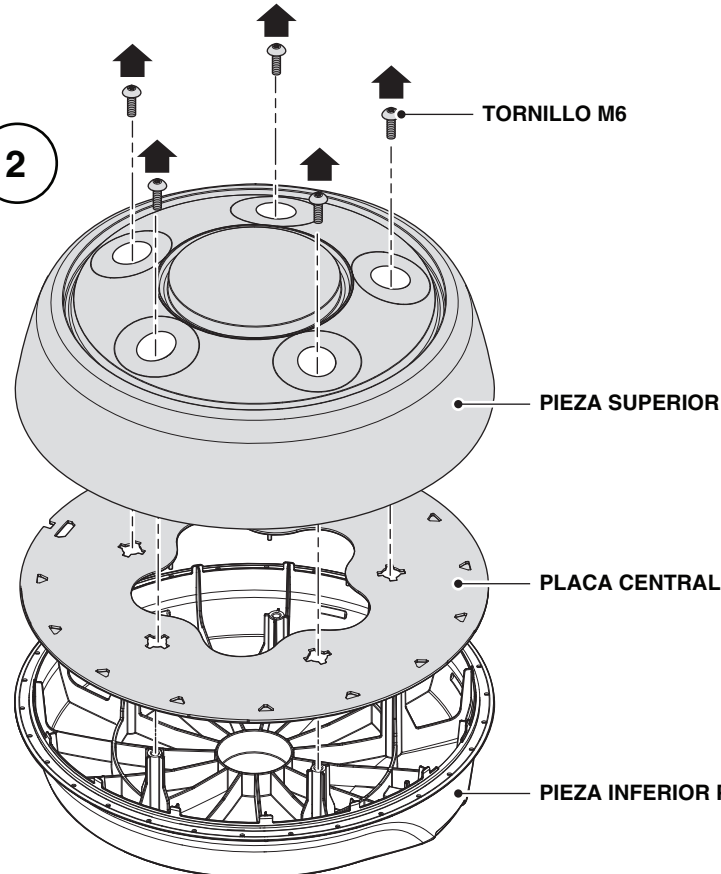


**SI SOLAMENTE NECESITA REEMPLAZAR EL ANILLO DE TRACCIÓN, VAYA ADELANTE AL PASO 5**

**2.** Con el anillo de tracción retirado, retire los cinco (5) tornillos M6.

2

TORNILLO M6



**3.** Con la parte superior del reposapiés invertida, alinee la muesca de la placa central con la característica llave.

**4.** Luego, encaje el plástico inferior al conjunto y alinee los orificios del conjunto en la pieza inferior con las protuberancias para tornillo de la parte superior.

**5.** Finalmente alinee las protuberancias de encaje a presión en el anillo de tracción con los orificios del conjunto de la pieza inferior y presione con firmeza en su sitio hasta que los bordes queden a ras con la carcasa plástica inferior.