

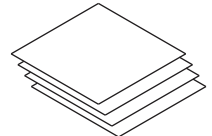
If you have a problem, question, or request, call your local dealer, or Steelcase Line 1 at **888.STEELCASE** (888.783.3522) for immediate action by people who want to help you.

(Outside the U.S.A., Canada, Mexico, Puerto Rico, and the U.S. Virgin Islands, call: 1.616.247.2500)

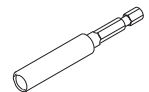
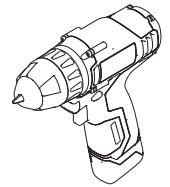
Or visit our website: www.steelcase.com

© 2017 Steelcase Inc.
Grand Rapids, MI 49501
U.S.A.

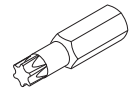
Printed in U.S.A.



PROTECTIVE BLANKETS



BIT EXTENSION

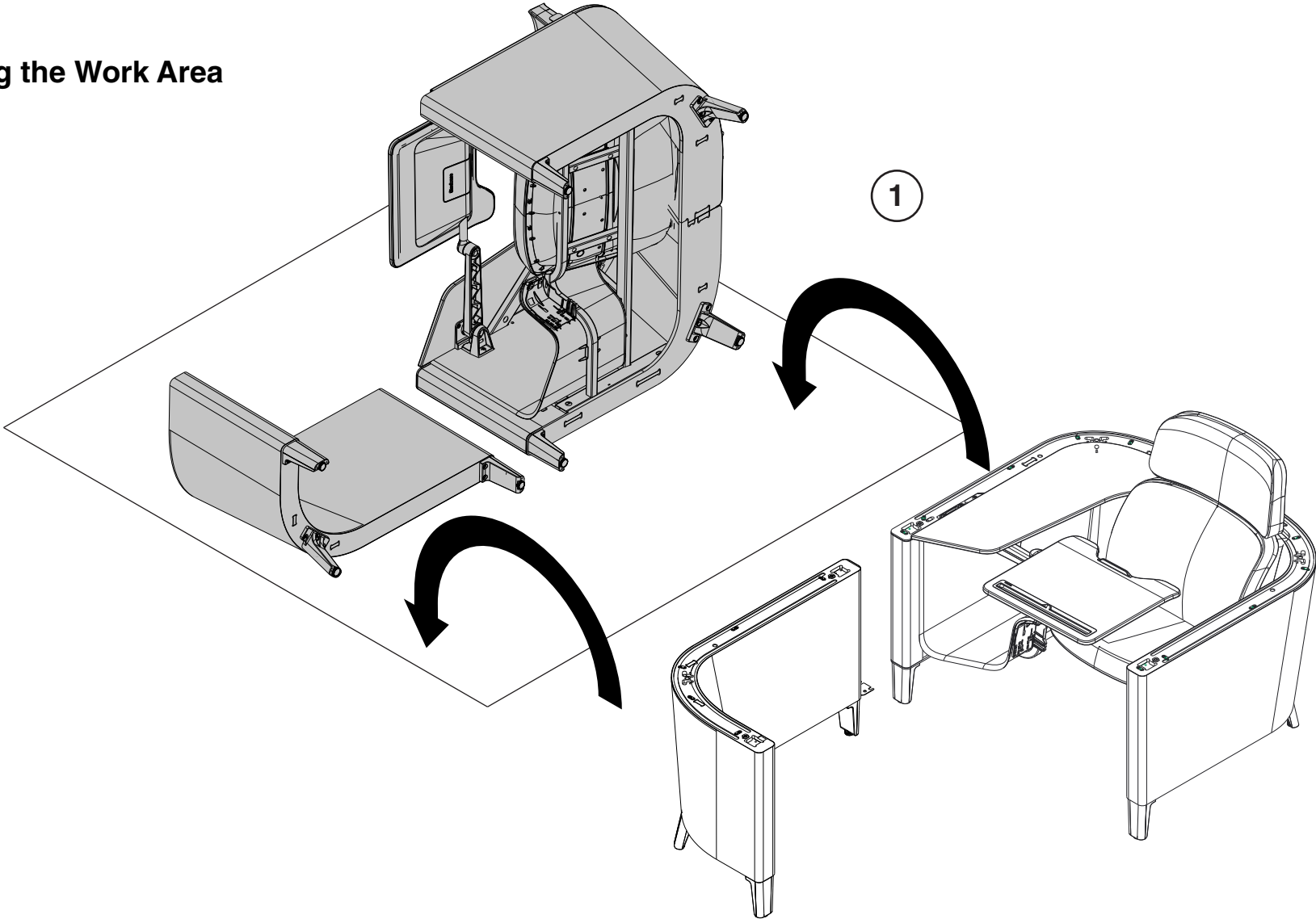


T30 & T40

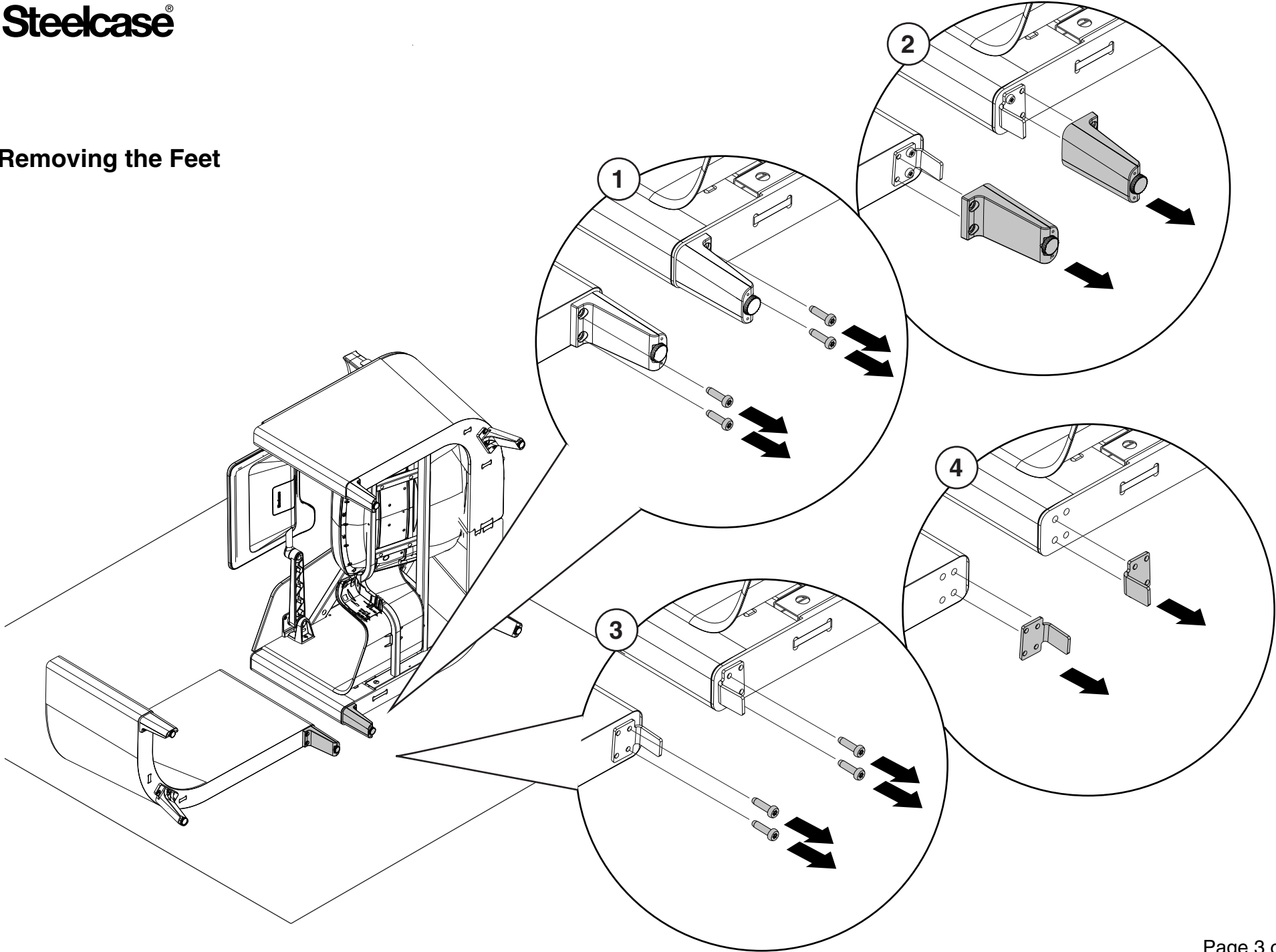


TWO (2) INSTALLERS

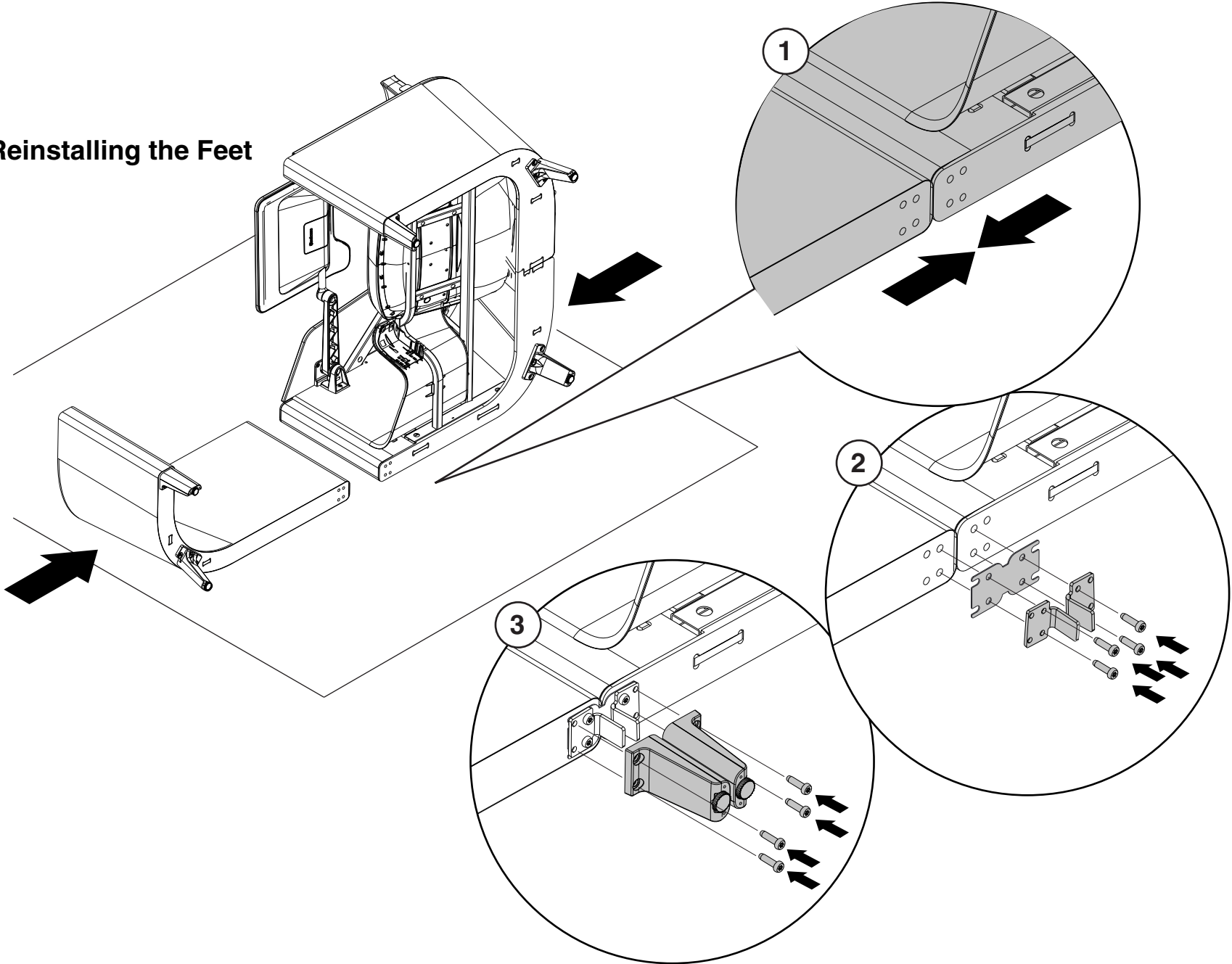
Preparing the Work Area



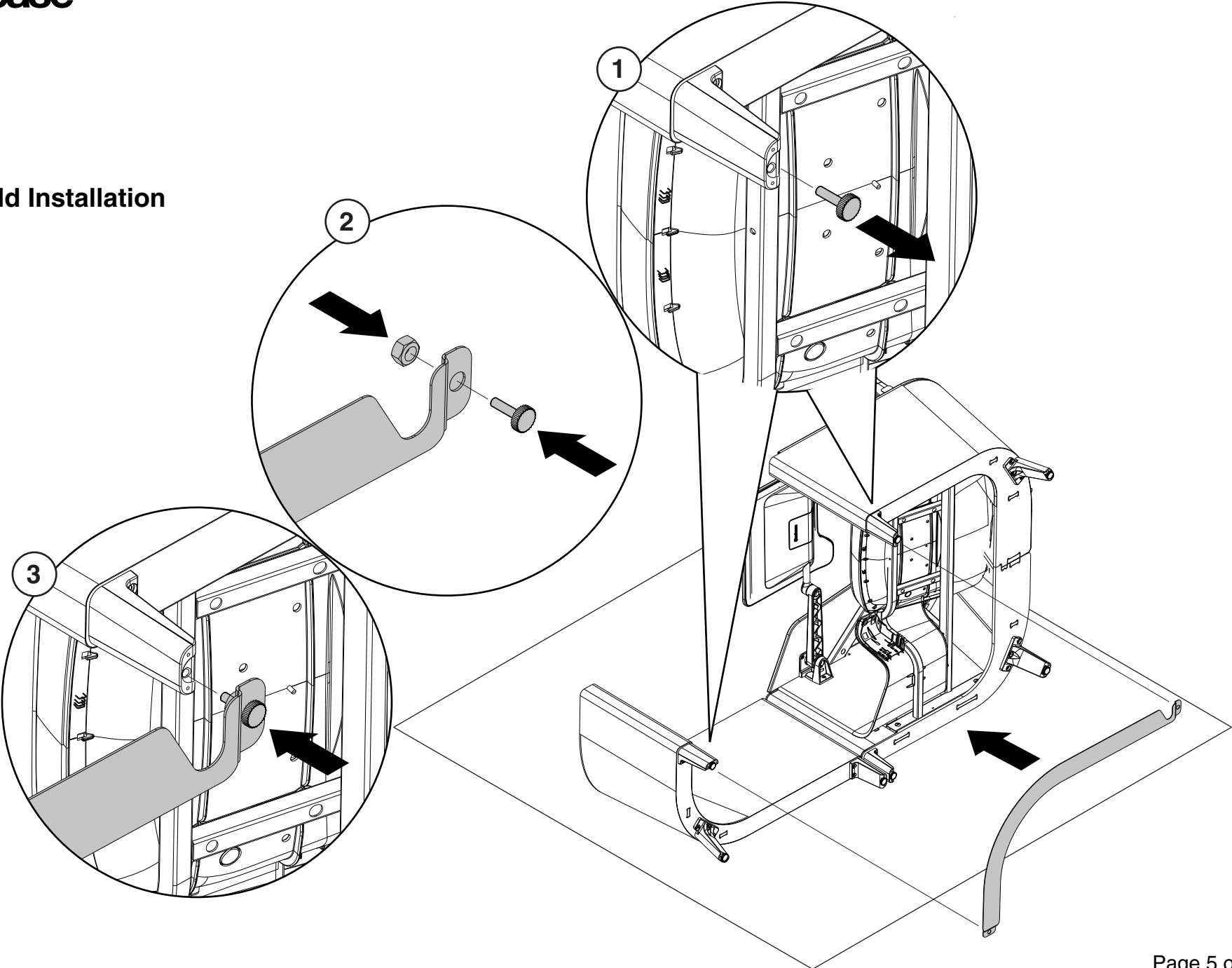
Removing the Feet



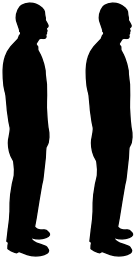
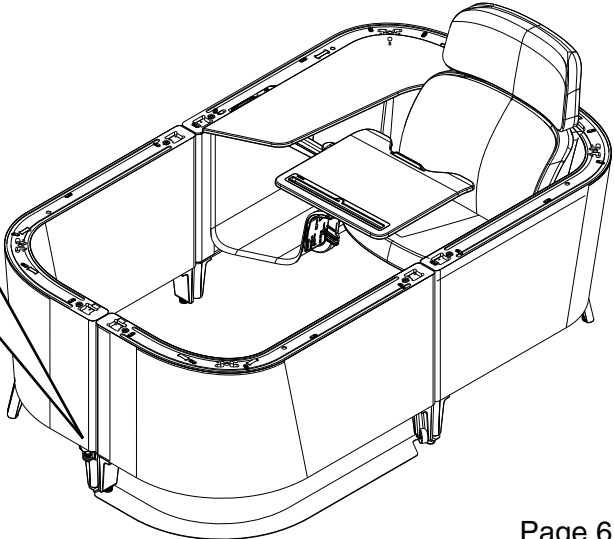
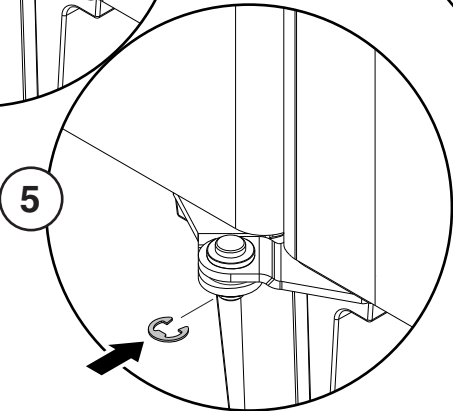
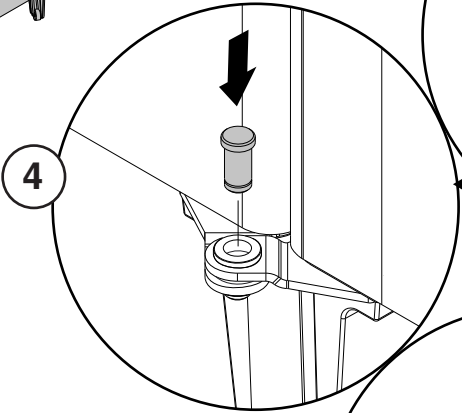
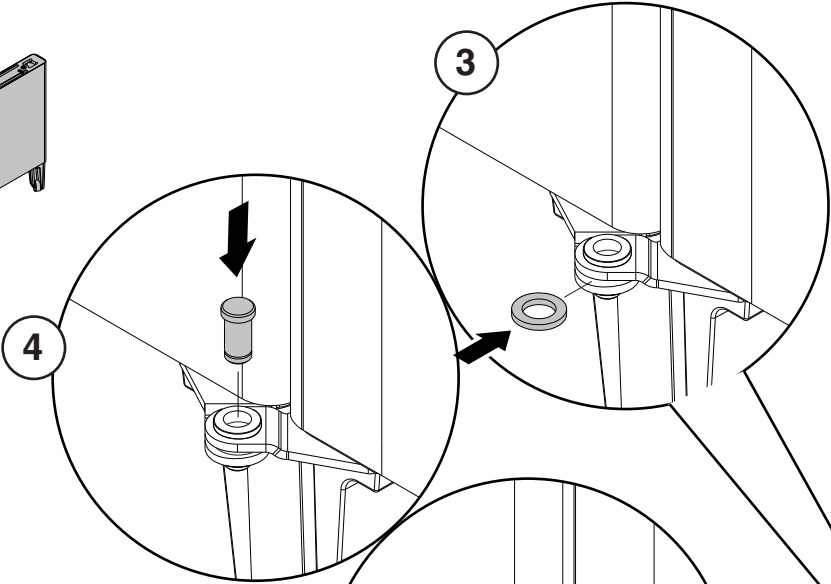
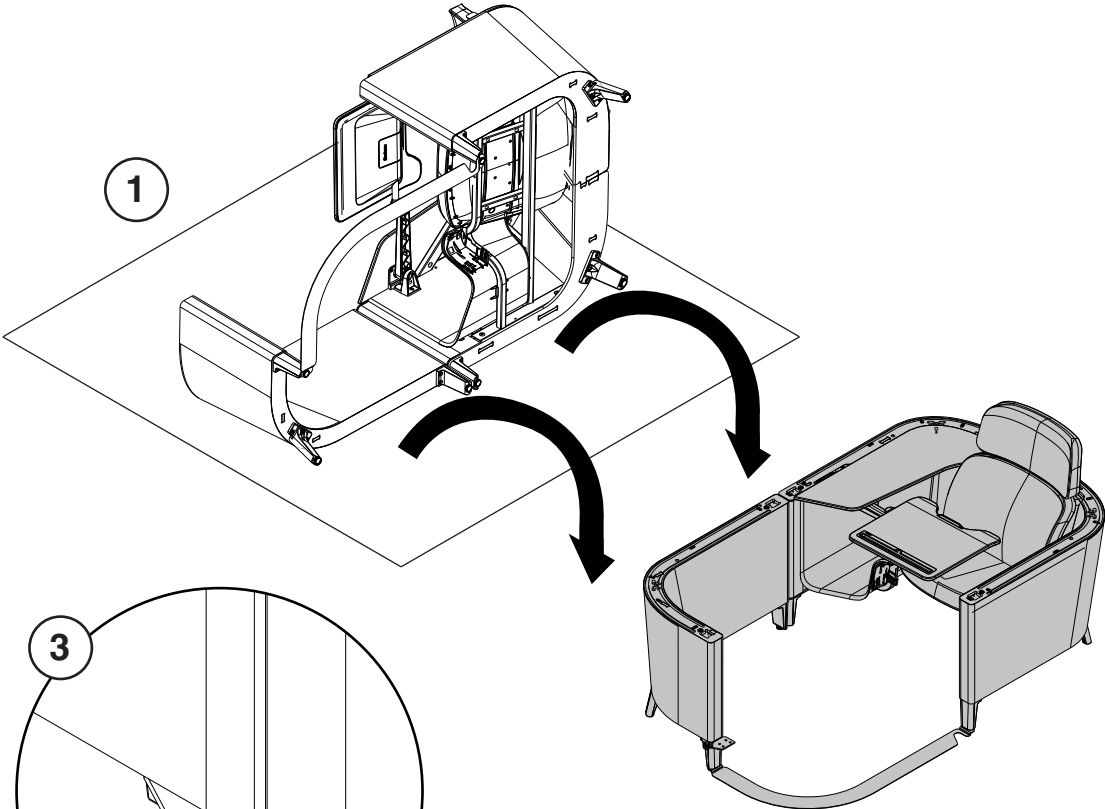
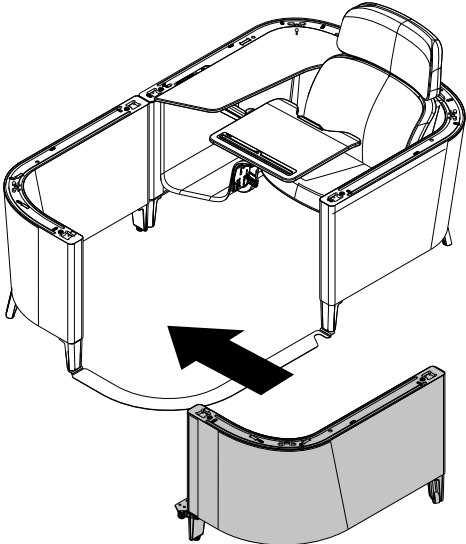
Reinstalling the Feet



Threshold Installation



Door Installation

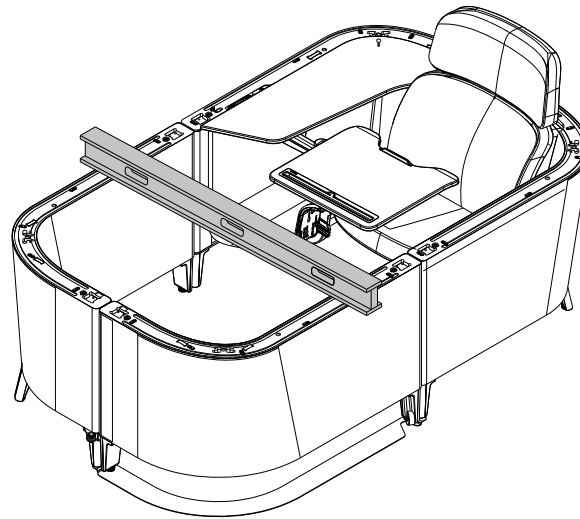


TWO (2) INSTALLERS

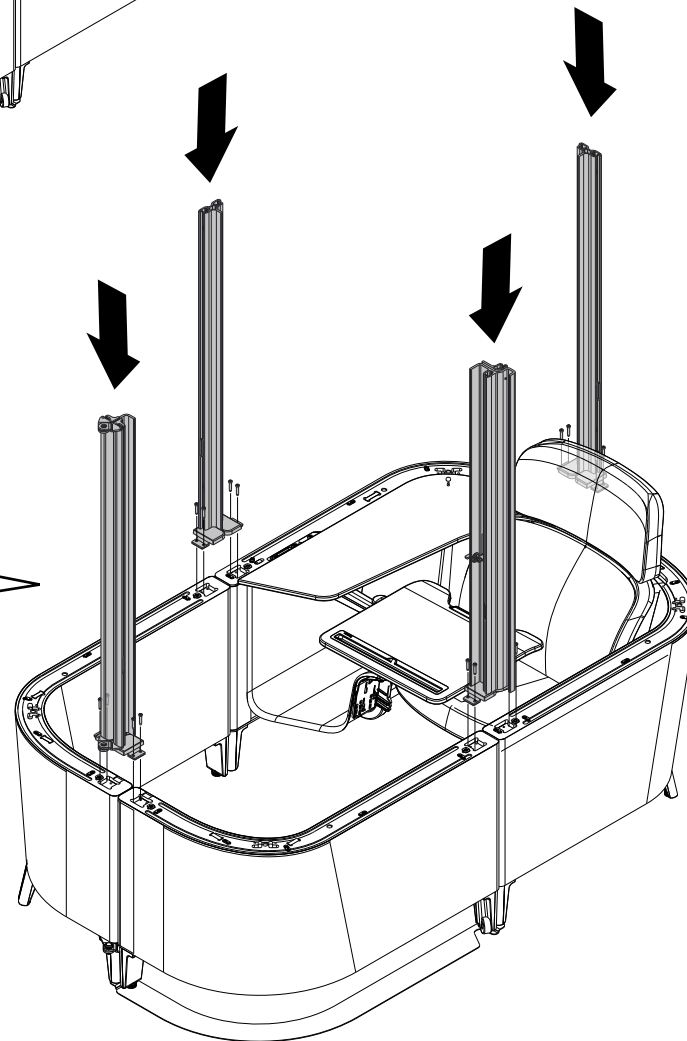
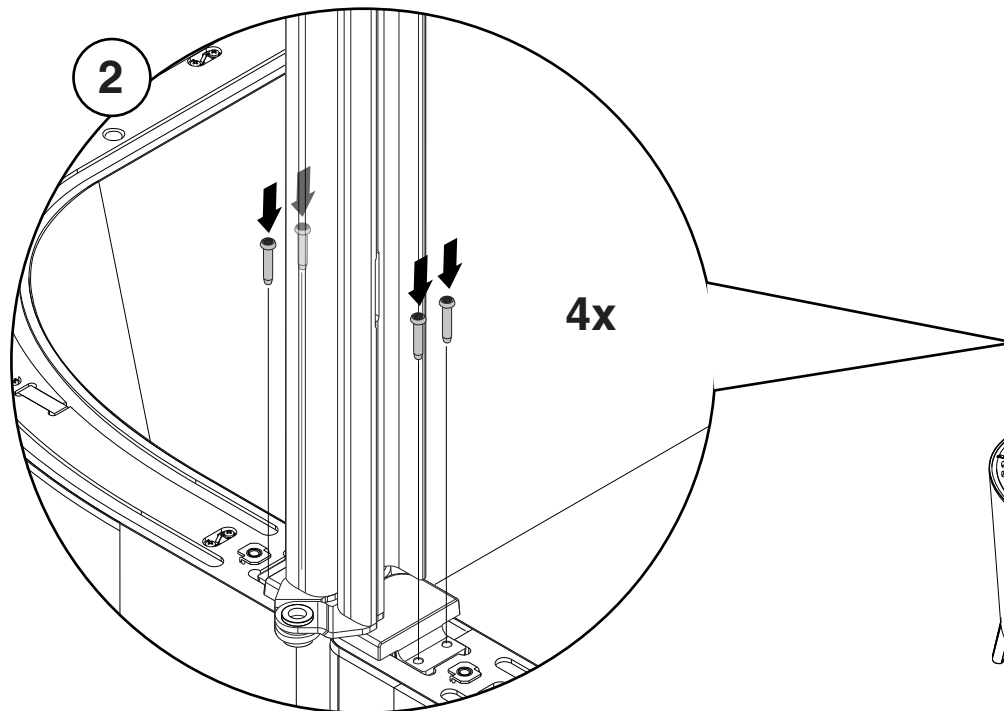
Steelcase

Stanchions Installation

1

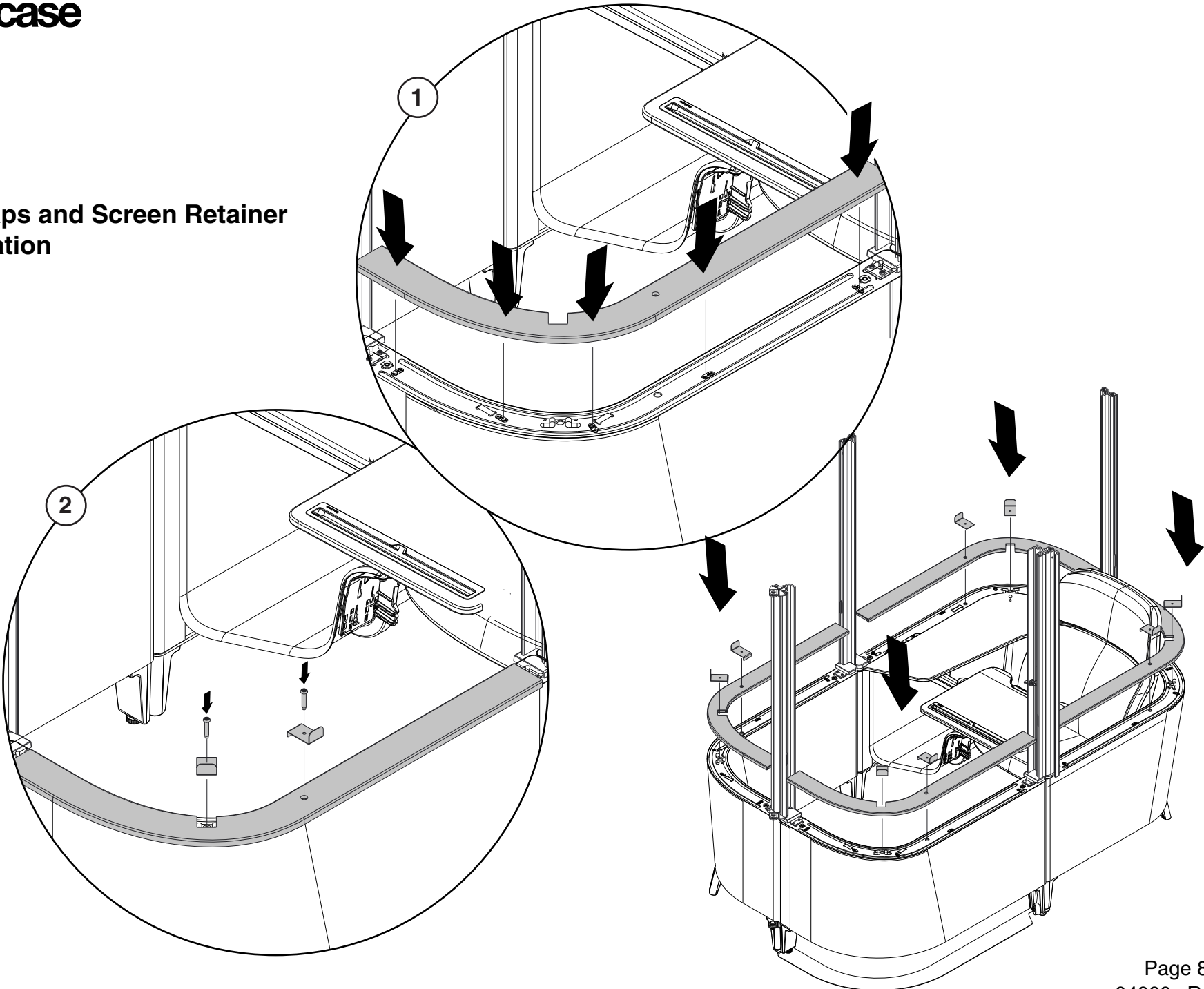


2



Steelcase

Top Caps and Screen Retainer Installation



Steelcase

Screen Installation

