



Features and Benefits

- Elegant linear metal ceiling system features 12' long linear metal pans attached to a specially engineered suspension system, such as the CURVATURA™ 3-D System.
- Closed reveal PARALINE II pans are appropriate for exterior ceiling applications under protected soffits, as well as interior applications.
- Available in painted, anodized, and polished finishes.
- Snap-up design offers unlimited access with minimum plenum depth requirements.
- Wind load tested (120 mph) for exterior applications.
- Available with perforated pans for PARALINE II for NRC ratings as high as .95 when backed with fiberglass.

Applications

- Exterior soffits
- High bay areas
- Retail stores
- Transportation terminals

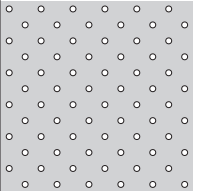
PARALINE Linear Metal Ceiling System with Custom Paint

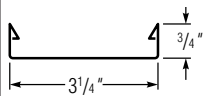
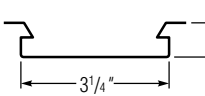
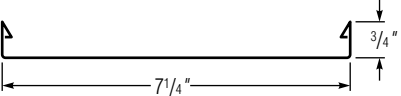
Paraline

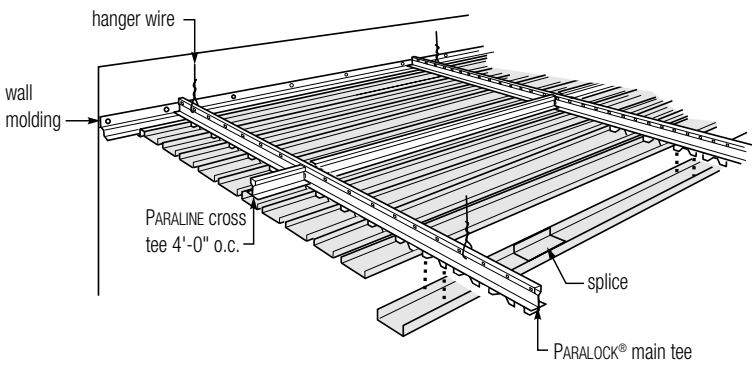
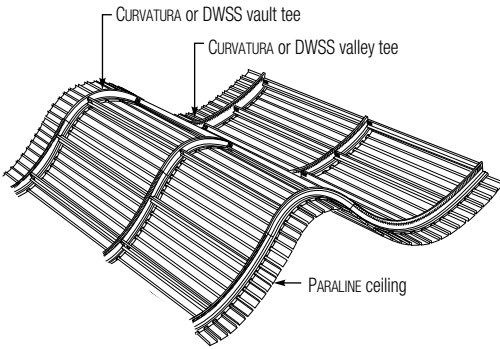
Specialty Ceilings
Linear Metal Ceiling System

Technical Service 800 USG.4YOU
Web Site www.usg.com
Samples/Literature 888 874.2450
Samples/Literature Fax 888 874.2348
Customer Service 800 950.3839
Literature Number IC315

Product Information	Materials	PARALINE I, II, and III: Aluminium.
	Finishes	Painted colors: Flat White, Silver Satin, Metallic Oyster, Metallic Copper, Metallic Gold; also available in Polished Aluminum and Brushed Aluminum. Perforations available: PARALINE II only.
	Typical Sizes	3-1/4" x 12', 7-1/4" x 12'

PARALINE II Perforation Pattern		Round—1/16" perforations .235 o.c., 5% open area (Perforation shown 50% actual size)
--	---	--

Details	PARALINE I	PARALINE II	PARALINE III
			
	PARALINE I ceilings use 3-1/4" wide pans with roll-finished edges. Once assembled, the pans provide an open reveal for excellent acoustical control (sound is absorbed by acoustical material in the plenum).	PARALINE II ceilings maintain the 3-1/4" wide pan dimension, but are constructed with integral flanges that overlap to form a reveal closure that is appropriate for exterior soffit applications. Perforated available.	PARALINE III ceilings have bolder, 7-1/4" wide pans for larger-scale applications. Pans have a roll-finished edge to provide the same open reveal as PARALINE I with similar acoustical control.

Perspective	USG Drywall Suspension System or CURVATURA Suspension For PARALINE Wave Ceilings
	

Supporting technical literature
IC463

Fire-rated designs
UL fire-rated design number D-218 rating for 2-hour or 3-hour restrained or unrestrained assembly and 3-hour unrestrained beam rating.

Light reflectance

Flat White: LR-0.80 (less with perforations and other colors).

Recycled content

Contact Technical Service at 800 USG.4YOU.

Safety First!

Follow good safety and industrial hygiene practices during handling and installation of all products and systems. Take necessary precautions and wear the appropriate personal protective equipment as needed. Read material safety data sheets and related literature on products before specification and/or installation.



Manufactured by
USG Interiors, Inc.
125 South Franklin Street
Chicago, IL 60606

The following are trademarks of USG Interiors, Inc., or a related company: CURVATURA, PARALINE, PARALOCK, USG.

IC315/rev. 6-06
© 2006, USG Interiors, Inc.
Printed in U.S.A.