

Reach a Higher Plane



# Metal Ceiling Panels

**Celebration and Panz**

Hospitality

Entertainment & Gaming

Offices and Lobbies

Transportation Hubs

Healthcare

CELEBRATION™ and PANZ™ metal panels impart a cool, sophisticated aesthetic to enhance the ambience of your space without compromising the need for ceiling access. Choose from a variety of finishes, colors and texture options to create a look that's simple and serene or striking and bold.



Set the mood

# User's Guide

CELEBRATION panels snap up into the reveal of the USG DONN® brand FINELINE® suspension system, concealing the grid for a clean, monolithic appearance while allowing full access to the plenum above.

PANZ panels lay into DONN® brand CENTRICITEE™, DX®/DXL™ and FINELINE suspension systems to create a sleek, modern style with easy, traditional ceiling access.

	Pages	
<b>Understand Your System</b>	<b>3</b>	<b>CELEBRATION Overview</b> <b>CELEBRATION Components and Applications</b> <b>PANZ Overview</b> <b>PANZ Components and Applications</b>
<b>Specify Your System</b>	<b>23</b>	<b>Design Tools</b> <b>Finishes</b> <b>Perforations and Embossing</b> <b>Application Guide Specifications</b>
<b>For More Information</b>		<b>Technical Service</b> <b>800 USG.4YOU</b>  <b>Web Site</b> <b>usg.com</b>

# System Overview

---

## Panels

Celebration panels – Snap-up, suspension-hiding panels feature snap-up installation and provide easy downward access, making them great for shallow-plenum areas. Panels are available in a range of finishes, painted colors and perforation patterns.

PANZ panels – Lay in just like traditional acoustical panels. Available in many finishes, painted colors and perforation patterns as well as DIAMONDFLEX™ expanded metal.

---

## Sizes

CELEBRATION and PANZ panels are available in traditional square and rectangular sizes as well as new large-format plank sizes. Module sizes include:

1' x 4'	2' x 2'	30" x 30"
1' x 5'	2' x 4'	30" x 60"
20" x 60"	2' x 6'	4' x 4'
	2' x 8'	

Visit [usg.planks.pivotinteractive.com](http://usg.planks.pivotinteractive.com) for an interactive selector with suspension system configurations and available perforation and embossed patterns.

---

## Suspension Systems

CELEBRATION panels snap up into the reveal of the FINELINE DXF suspension system. Panels may be field-cut at walls and columns but otherwise should be used in full modules.

Available with the same edge details as USG acoustical ceiling panels, PANZ panels install into narrow-profile and standard suspension systems. Panels feature a unique trim detail that ensures a clean reveal edge on field-cut panels.

---

## Perimeter Details

Optional COMPASSO™ trim may be used with CELEBRATION and PANZ ceilings for a finished appearance at exposed edges. See brochure IC400 in the USG Specialty Ceilings Binder for more information.

---

## Acoustical Performance

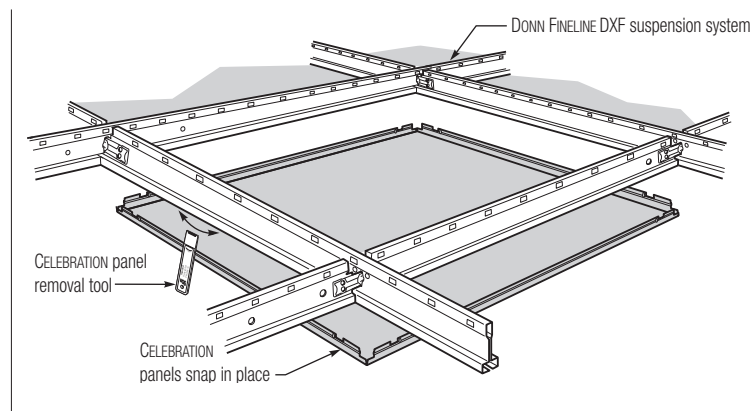
Perforated CELEBRATION and PANZ panels ACOUSTIBOND sound backer achieve .65 NRC when installed in an enclosed plenum (18" depth min.). Available fiberglass backing provides even greater acoustical performance.

# Celebration Panels

## Snap up to conceal the suspension system

<b>Suspension-Hiding</b>	CELEBRATION panels snap up into the 1/4"-reveal FINELINE DXF suspension system, achieving the clean, monolithic aesthetic required in the design of contemporary spaces.		
<b>Typical Module Sizes</b>	1' x 4' 1' x 5' 20" x 60"	2' x 2' 2' x 4' 2' x 6' 2' x 8'	30" x 30" 30" x 60" 4' x 4'
	Additional panel sizes available on request.		
<b>Materials</b>	Panels: Aluminum FINELINE DXF suspension system: Cold-rolled steel COMPASSO edge trim: Cold-rolled steel		
<b>Finishes<sup>1</sup></b>	3 premium metals; 4 anodized metals; Standard and Advantage colors, plus metallic and custom paint colors; 3 wood-tone finishes.		
<b>Textures</b>	Available in solid metal or 24 perforation patterns and four embossed patterns. Black ACOUSTIBOND sound backer included standard with perforated panels unless specified; backer also available in white.		
<b>Plenum Depth</b>	Because panels are installed from below, the clearance for installation and removal of panels is minimal. Additional plenum clearance of up to 9" is required for air-boot and lighting installations, depending on the unit selected. Acoustical performance shown on page 5 for perforated panels with ACOUSTIBOND sound backer requires an enclosed plenum with minimum 18" depth.		
<b>Exterior Applications</b>	CELEBRATION systems up to 30" x 30" have been windload tested to 120 mph; systems up to 30" wide and 78" long have been windload tested to 110 mph. Requires proper bracing and exterior framing.		

### Assembly

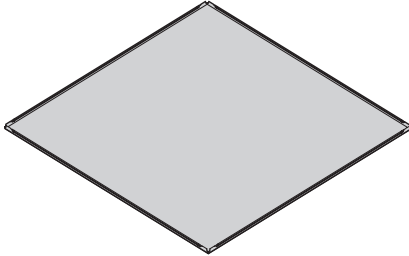
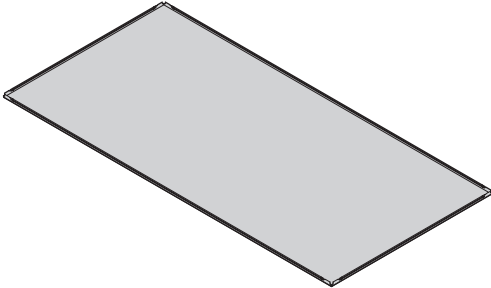
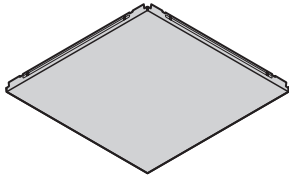
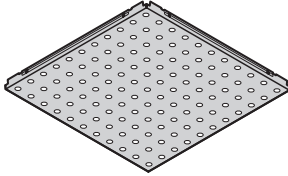
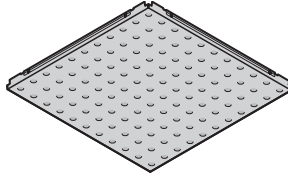


#### Note

1. See the Metal Finishes selector in the USG Specialty Ceilings Binder or Ceiling Systems Desktop Reference (SC2000) for more information.

# Celebration Panels

## Components

<b>Panel Options</b>	<b>Shape</b>	<b>Square</b> Sizes: 2'x 2', 30"x 30" and 4'x 4' 	<b>Plank</b> Sizes: 1'x 4', 1'x 5', 20"x 60", 2'x 4', 2'x 6', 2'x 8' and 30" x 60" 
	<b>Finish</b>	CELEBRATION panels are offered in up to six distinctive finishes: premium metal, anodized metal, brushed metal, polished metal, painted metal, and wood tones. See page 16 for details and availability by panel size.	
<b>Texture</b>	Panels are available in solid metal or a choice of 24 perforated patterns. 2'x2' panels may also be embossed, with or without perforation. See pages 17-22 for details.		
	<b>Solid panel</b> 	<b>Perforated panel</b> 	<b>Embossed panel</b> 

# Components

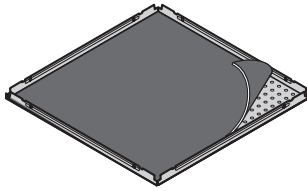
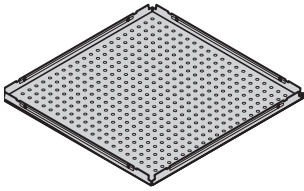
## Acoustical Performance

Perforated CELEBRATION panels come standard with a black, factory-applied ACOUSTIBOND backer for enhanced sound performance. The ACOUSTIBOND backer is included on all perforated panels unless otherwise specified. This backer is also available in white. For even greater acoustical performance, fiberglass backing is available.

Panel	Optional Acoustical Material	Sound Rating – NRC <sup>2</sup>	
		Perforation A062	Perforation A116
Perforated panel	ACOUSTIBOND backer	.65	.70
Perforated panel	1-1/2", 6 lb. density fiberglass	.90	.95
Perforated panel	2", .75 lb. fiberglass in poly bag	.85	.90

### Note

2. Enclosed plenum with minimum 18" depth.

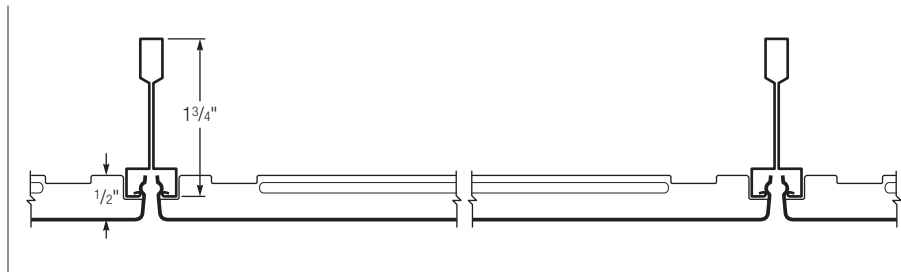
Standard (with black ACOUSTIBOND backer)	Optional (without ACOUSTIBOND backer)
	

## Hidden Suspension System

CELEBRATION panels snap up into the reveal of the FINELINE DXF suspension system, concealing the grid for a clean, monolithic appearance, while allowing full access to the plenum above.

Panels may be field cut at walls and columns but otherwise should be used in full modules.

## Edge Detail

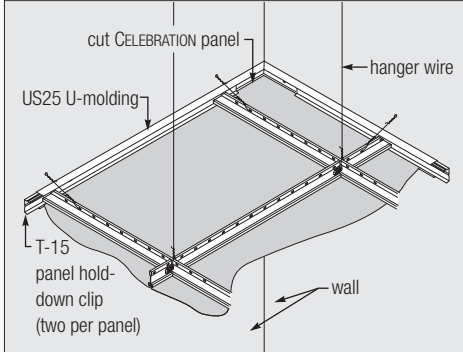


# Celebration Panels

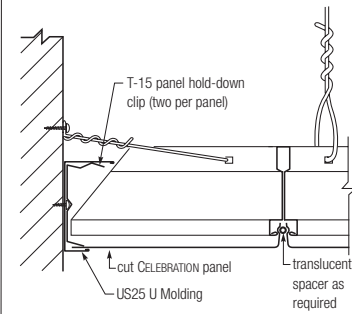
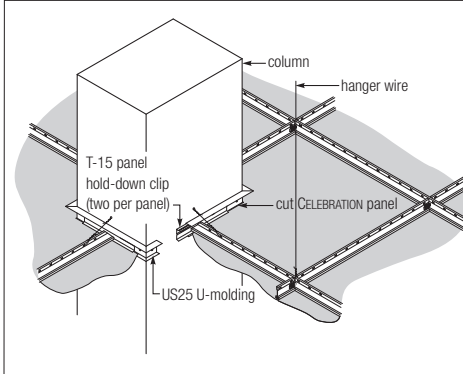
## Applications

### Perimeter Details

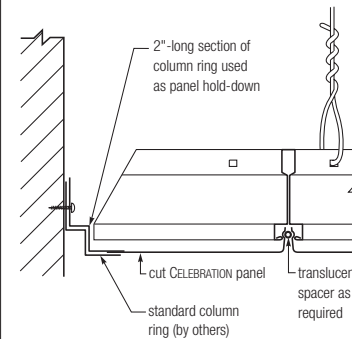
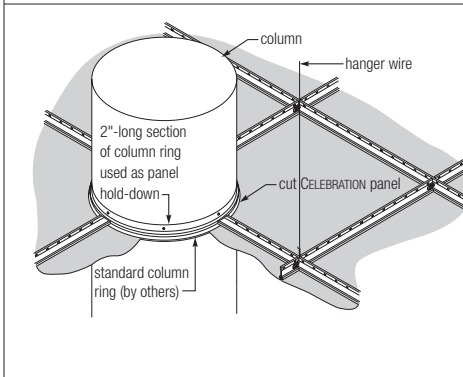
#### Wall DXF US25



#### Column-Square



#### Column-Round





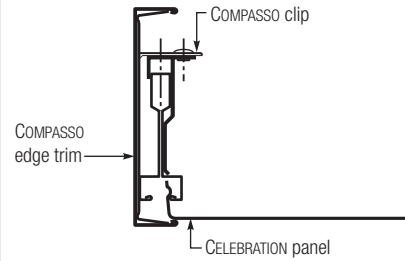
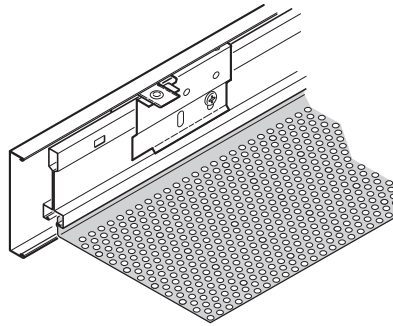
# Applications

## Trim Details

Optional COMPASSO edge trim in 2-1/4", 4", 6", 8", 10" and 12" heights may be added for a finished appearance at exposed edges.

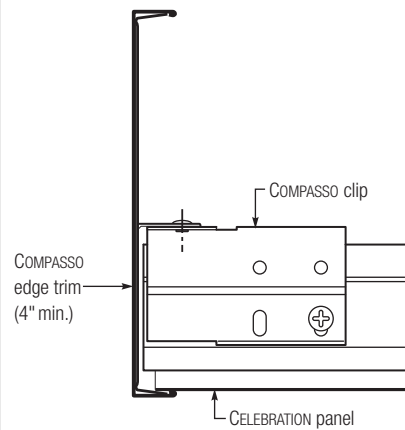
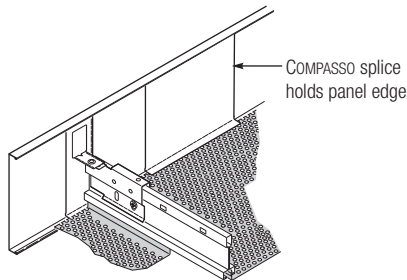
2-1/4"	4"	6"	8"	10"	12"

### Parallel (On Module)



### Perpendicular (Off Module)

2-1/4" trim may not be used in off-module applications

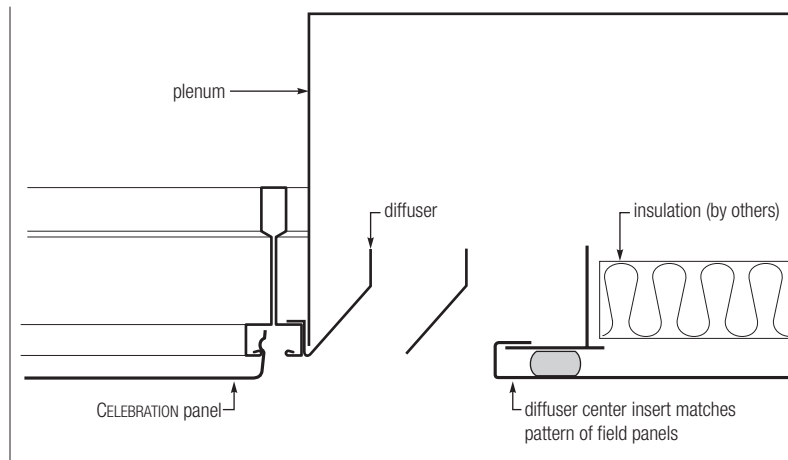
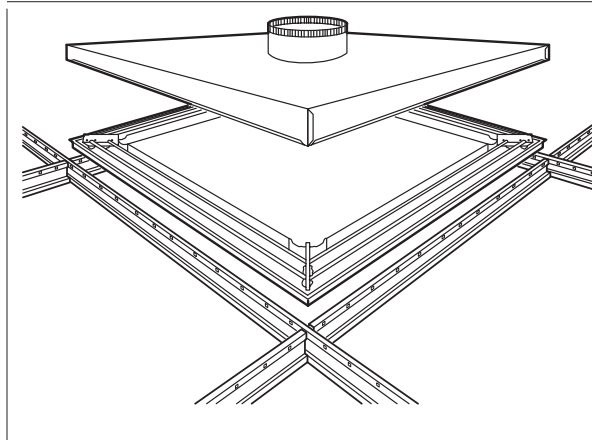


# Celebration Panels

## Applications

### **DONN® CELEBRATION™ Diffuser**

Available in 1-, 2-, 3- and 4-slot configurations, with four-directional throw. Requires plenum clearance of up to 9". Diffuser center insert matches perforation and/or embossing pattern of field panels. For air-diffuser performance data, see USG technical data sheet AC272.



# Panz Panels

## Lay in for traditional plenum access

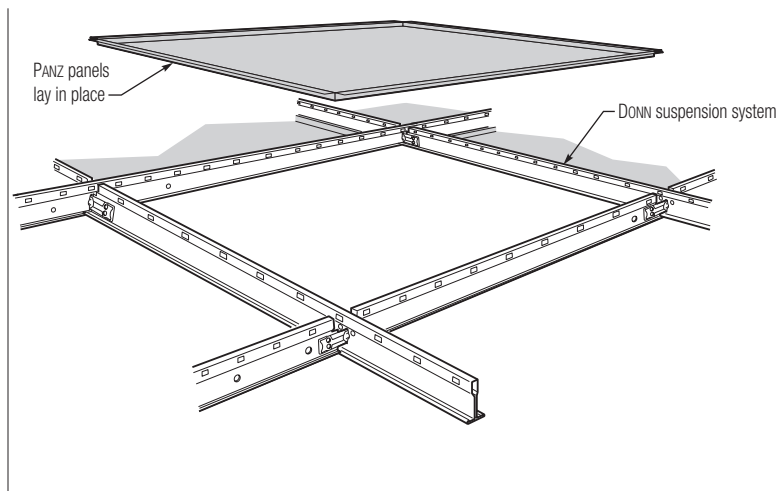
**Lay-In Panels** PANZ panels combine the easy plenum access of traditional acoustical panels with the sleek, contemporary style of metal.

**Materials** Panels: Aluminum  
DONN suspension systems: Cold-rolled steel  
COMPASSO edge trim: Cold-rolled steel

**Finishes<sup>3</sup>** 3 premium metals;  
4 anodized metals;  
6 DIAMONDFLEX<sup>®</sup> expanded metals;  
Brushed Aluminum;  
Standard and Advantage colors, plus metallic and custom paint colors;  
3 wood-tone finishes.

**Textures** Available in solid metal, 24 perforation patterns and four embossed patterns. Black ACOUSTIBOND backer included standard with perforated panels unless specified; backer also available in white.<sup>4</sup>

### Assembly



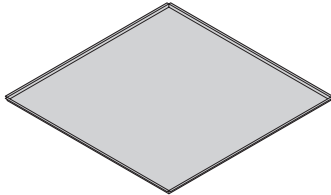
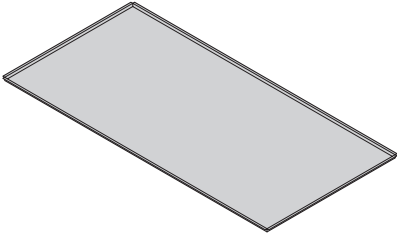
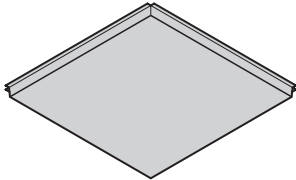
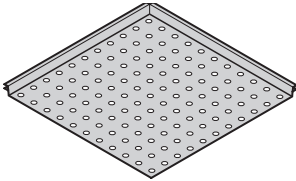
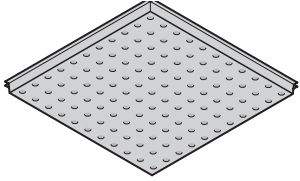
### Notes

3. See the Metal Finishes selector in the USG Specialty Ceilings Binder or Ceiling Systems Desktop Reference (SC2000) for more information.

4. ACOUSTIBOND backer not standard with DIAMONDFLEX panels.

# Panz Panels

## Components

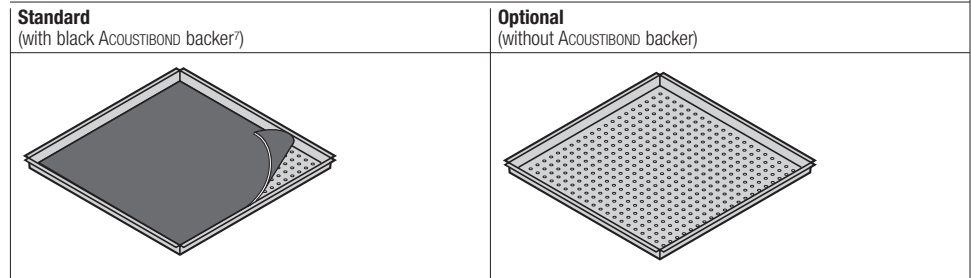
<b>Panel Options</b>	<b>Shape</b>	<b>Square</b> Sizes: 2'x 2', 30"x 30" and 4'x 4' 	<b>Plank</b> Sizes: 1'x 4', 1'x 5', 20"x 60", 2'x 4', 2'x 6', 2'x 8' and 30" x 60" 
	<b>Finish</b>	PANZ panels are offered in up to seven distinctive finishes: premium metal, anodized metal, brushed metal, polished metal, painted metal, DIAMONDFLEX expanded metal, and wood tones. See page 16 for details and availability by panel size.	
<b>Texture</b>	Panels are available in solid metal or a choice of perforated patterns. 2'x 2' panels may also be embossed, with or without perforation. See pages 17-21 for details.		
	<b>Solid panel</b>	<b>Perforated panel</b>	<b>Embossed panel</b>
			

# Components

## Acoustical Performance

Perforated PANZ panels come standard with a black, factory-applied ACOUSTIBOND backer for enhanced sound performance. The ACOUSTIBOND backer is included on all perforated panels unless otherwise specified. This backer is also available in white. For even greater acoustical performance, fiberglass backing is available.<sup>5</sup>

Panel	Optional Acoustical Material	Sound Rating – NRC <sup>6</sup>	
		Perforation A062	Perforation A116
Perforated panel	ACOUSTIBOND backer	.65	.70
Perforated panel	1-1/2", 6 lb. density fiberglass	.90	.95
Perforated panel	2", .75 lb. fiberglass in poly bag	.85	.90

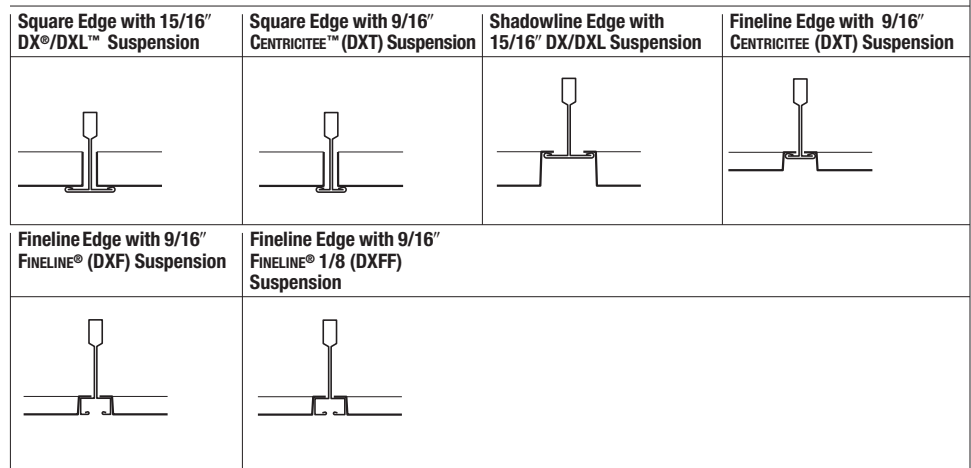


### Notes

- 5. ACOUSTIBOND backer not standard with DIAMONDFLEX panels.
- 6. Enclosed plenum with minimum 18" depth.
- 7. White ACOUSTIBOND backer available.

## Suspension Systems

Available with the same edge details as USG acoustical ceiling panels, PANZ panels install into narrow-profile and standard DOWN suspension systems.



# Panz Panels

## Applications

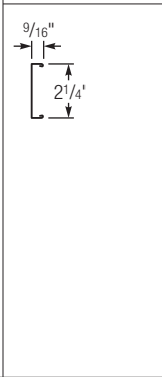
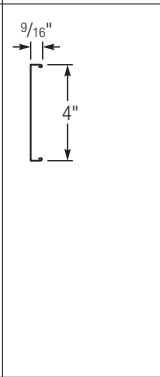
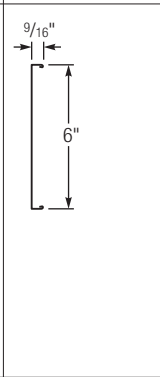
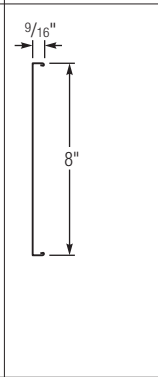
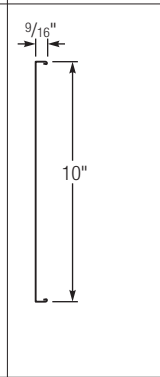
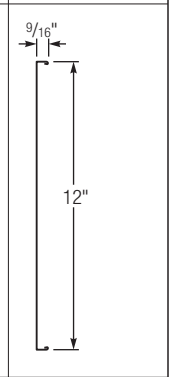
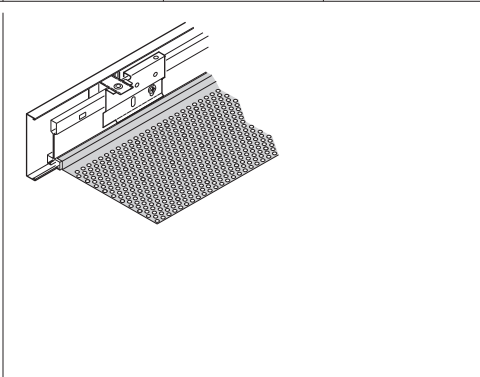
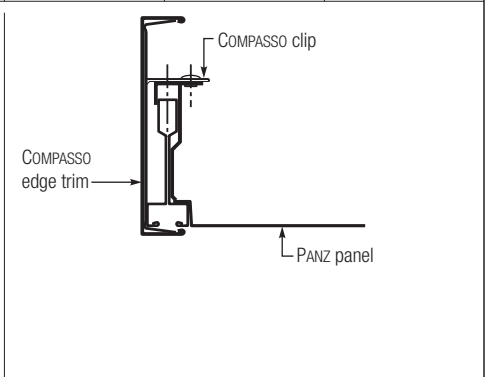
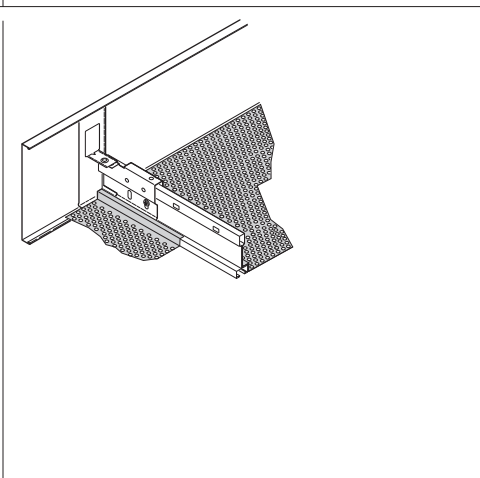
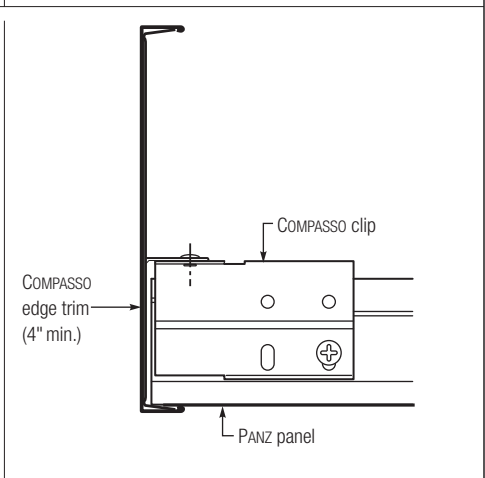
### Perimeter Details

Non-Wall or Floating Condition		Wall or Column Condition	
DX or DXT Profile	DXF or DXFF Profile	DX or DXT Profile	DXF or DXFF Profile
<b>Wall/Column DX/DXL M9</b>		<b>Wall/Column DXF UA25</b>	
<b>Wall/Column DX/DXL-DXT U25 clip</b>		<b>Wall/Column DXT M9</b>	

# Applications

## Trim Details

Optional COMPASSO edge trim in 2-1/4", 4", 6", 8", 10" and 12" heights may be added for a finished appearance at exposed edges.

Edge Trim	2-1/4"	4"	6"	8"	10"	12"
						
<p><b>Parallel (On Module)</b></p> 						
<p><b>Perpendicular (Off Module)</b></p> 						

# Design Tools

## Online Selector for Plank-Size Panels

CELEBRATION and PANZ panels are available in a range of new plank sizes, with many perforation choices. To streamline your design process, visit our online estimator at [usg.planks.pivotinteractive.com](http://usg.planks.pivotinteractive.com). Use this interactive resource to select plank-size panels and available suspension systems, determine suspension system layout and perforation options, and generate a specification.

### Select Panel Size and Suspension System

**USG**

**Panz™ & Celebration™ Plank Ceiling Panels**

Develop a complete Panz™ or Celebration™ outline specification.

**Select A Panel Type**

Panz Lay-in, Exposed T bar

Celebration Snap-in, downward accessible grid hiding

**Select A Panel Size**

12" x 48"

12" x 60"

20" x 60"

24" x 48"

24" x 72"

24" x 96"

30" x 60"

24" x 48" PANEL

**Select An Edge**

SL Edge with 15/16" DX	FL Edge with Centricitee DXT	FL Edge with Finline DXF	FL Edge with Finline DXFF
<input type="radio"/>	<input type="radio"/>	<input type="radio"/>	<input type="radio"/>
<b>Celebration Edge with Finline DXF</b>			
<input type="radio"/>			

Next

© 2005 USG Corporation - All rights reserved | [site map](#) | [global sites](#) | [legal info](#) | [privacy](#) | [PO terms & conditions](#)



# Online Selector for Plank-Size Panels

## Determine Suspension System Layout

Plank-size panels may require nonstandard main-tee lengths and cross-tee and hanger wire positions. The online selector makes it easy to create a layout that works in your space and incorporate a sophisticated new look into to your design.

Item No.	Part Description	Panel Type	Panel Size	Panel Edge
1	24" x 72" PLANK	PLANK	24" x 72"	SL Edge
2	EXHIBIT 1000-10-17 Main Tee		1/4" x 1'-0"	
3	PLANK 1/2" x 72" Panel SL Edge			

For technical information: 800 USG 4YOU

Part No. 1000-1000-10-17 Page 1 of 3

## Select Perforation Options

The online selector illustrates the perforation patterns available for each plank-size panel and shows how each pattern would look in the available suspension systems.

Panel Type	Panel Size	Panel Edge
PLANK	24" x 72"	SL Edge

Part No. 1000-1000-10-17 Page 2 of 3

## Generate Specification

After making your selections, the estimator will generate a specification form that you can print or save in .pdf format.

Plank Panel Type: PLANK Panel - SL Edge

Suspension System: DX 15/16" Face

Panel Size (nominal):  12" x 48"  12" x 60"  30" x 60"  24" x 48"  
 24" x 72"  24" x 96"  30" x 60"

Perforation:  Perforated  Smooth (un-perforated)

Perforation Pattern:  A062A  A116 (N/A for 2x8)  A188  A550 (N/A for 2x8)  
 C092  C116  C188  C250A  
 C315  Silver Blend RTQ

AcoustiNO Backer (optional):  Yes  No Color:  Black  White

Color/Finish (optional):  
 Painted Colors:  Flat White  Metallic Copper  Silver Satin  
 Metallic Gold  Metallic Oyster  Custom\*\*  
 Painted Wood:  Oak  Maple  Cherry

Paint Manufacturer Name and Number: \_\_\_\_\_

Factory Cutout (optional):  No  Yes  
 Factory cutout size (inches): \_\_\_\_\_  
 Is cutout centered?  Yes  No  
 If "No" specify dimension (inches) X \_\_\_\_\_ Y \_\_\_\_\_

For technical information: 800 USG 4YOU

Panel Type: PLANK Panel Size: 24" x 72" Panel Edge: SL Edge











Part No. 1000-1000-10-17 Page 3 of 3

# Celebration and Panz Panels

## Finishes

### Availability

CELEBRATION and PANZ Panels

	Panel Size <sup>8</sup>									
	2' x 2'	30" x 30"	4' x 4'	1' x 4'	1' x 5'	20" x 60"	2' x 4'	2' x 6'	2' x 8'	30" x 60"
										
<b>Premium Metals</b>	•									
<b>Anodized Metals</b>	•									
<b>Painted Metals</b>										
Flat White	•	•	•	•	•	•	•	•	•	•
Silver Satin	•	•	•	•	•	•	•	•	•	•
Metallic Copper	•			•	•	•	•	•		
Metallic Gold	•			•	•	•	•	•		
Metallic Oyster	•			•	•	•	•	•		
Custom Color	•	•	•	•	•	•	•	•	•	•
<b>DIAMONDFLEX Expanded Metals<sup>9</sup></b>	•									
<b>Wood Tones</b>										
Cherry	•			•	•	•	•	•		
Maple	•			•	•	•	•	•		
Oak	•			•	•	•	•	•		

### Notes







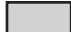
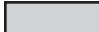
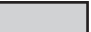

8. Custom sizes available. Contact your local USG representative for details.

9. PANZ panels only; available with FL and SL edge.

# Perforations and Embossing

**Availability**

CELEBRATION and PANZ Panels

Perforation Patterns	Panel Size									
	2' x 2'	30" x 30"	4' x 4'	1' x 4'	1' x 5'	20" x 60"	2' x 4'	2' x 6'	2' x 8'	30' x 60'
										
A062	•	•	•	•	•	•	•	•	•	•
A116	•	•	•	•	•	•	•	•	•	•
A188	•	•	•	•	•	•	•	•	•	•
A250	•	•	•	•	•	•	•	•	•	•
A500	•									
B079	•									
B125	•									
B188A	•									
B197	•									
B250	•									
B250H (formerly H250)	•									
B312	•									
B500	•									
C062	•	•	•	•	•	•	•	•	•	•
C062A	•	•	•							
C116	•	•	•	•	•	•	•	•	•	•
C188	•	•	•	•	•	•	•	•	•	•
C250A	•	•	•	•	•	•	•	•	•	•
C375	•	•	•	•	•	•	•	•	•	•
C500	•	•	•							
D250	•	•	•							
D375	•	•	•							
D500	•	•	•							
D500D	•	•	•							
<b>Embossing Patterns</b>										
EC25D	•									
EC25U	•									
EM25D	•									
EM25U	•									

# Celebration and Panz Panels

## Perforations

- Perforation patterns shown at 50% of actual size.
- When ordering, please refer to the pattern number for perforation samples (for example, "A062").
- See page 16 for availability.

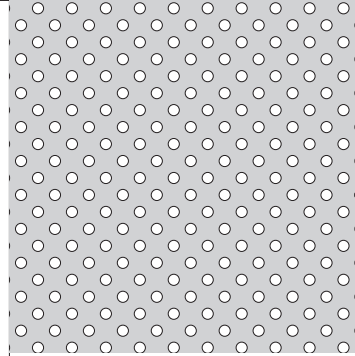
**Round Holes  
at 45° Alignment**

**Pattern A062**



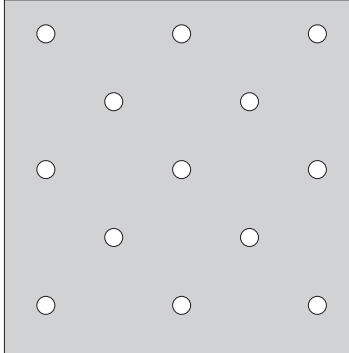
Round—1/16" perforations  
.25" o.c., 5% open area

**Pattern A116**



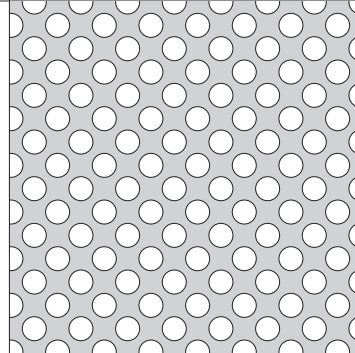
Round—15/128" perforations  
.354" o.c., 17% open area

**Pattern A188**



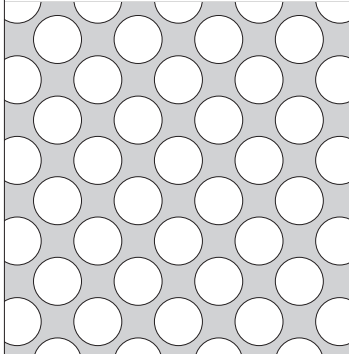
Round—3/16" perforations  
1" o.c., 3% open area

**Pattern A250**



Round—1/4" perforations  
.5" o.c., 39% open area

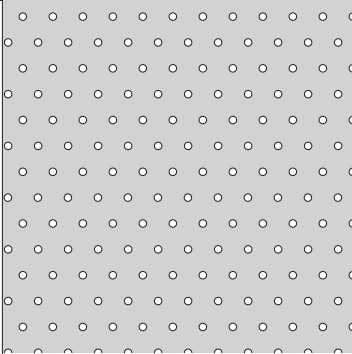
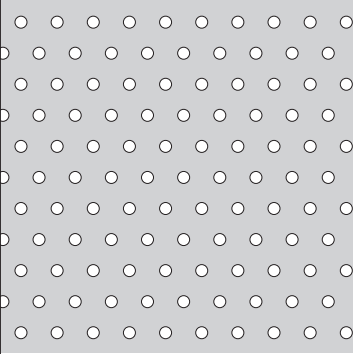
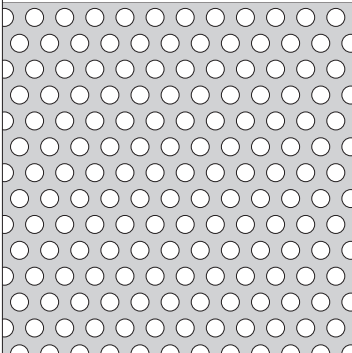
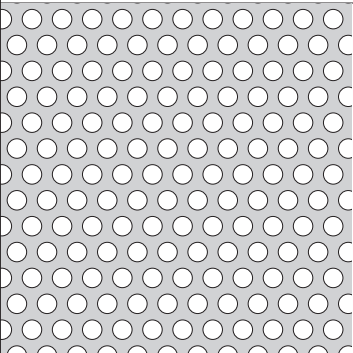
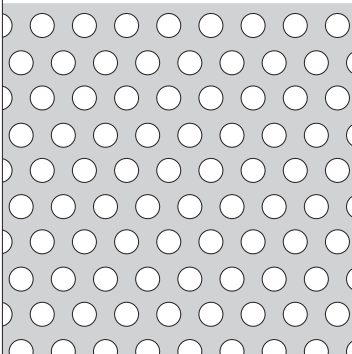
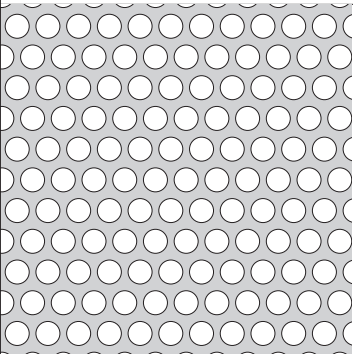
**Pattern No. A500**



Round—1/2" perforations  
.848" o.c., 55% open area  
Not to be used with the One-Directional CURVATURA system

# Perforations

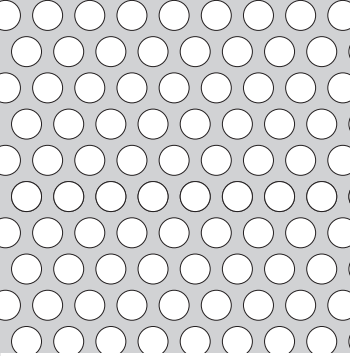
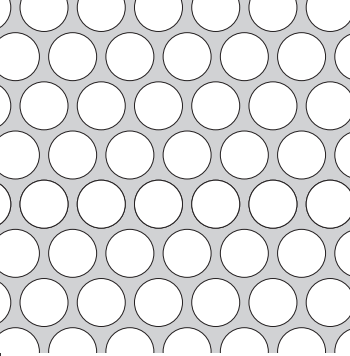
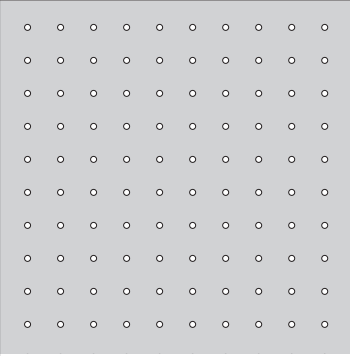
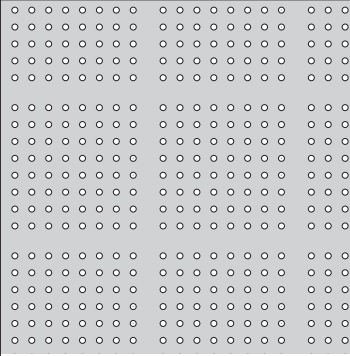
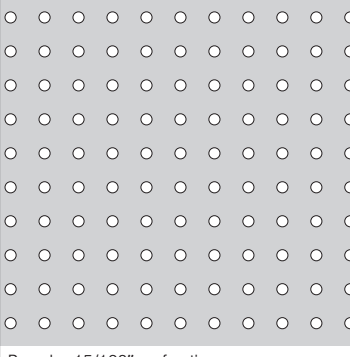
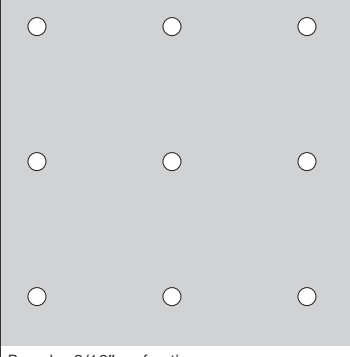
- Perforation patterns shown at 50% of actual size.
- When ordering, please refer to the pattern number for perforation samples (for example, "A062").
- See page 16 for availability.

<b>Round Holes at 60° Alignment</b>	<b>Pattern B079</b>	<b>Pattern B125</b>
		
	Round—5/64" perforations .312" o.c., 6% open area	Round—1/8" perforations .375" o.c., 10% open area
	<b>Pattern No. B188A</b>	<b>Pattern No. B197</b>
		
	Round—3/16" perforations .312" o.c., 33% open area	Round—13/64" perforations .316" o.c., 35% open area
<b>Pattern B250</b>	<b>Pattern No. B250H (formerly H250)</b>	
		
Round—1/4" perforations .437" o.c., 30% open area	Round—1/4" perforations .32" o.c., 58% open area	

# Celebration and Panz Panels

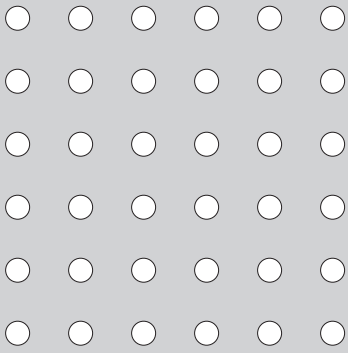
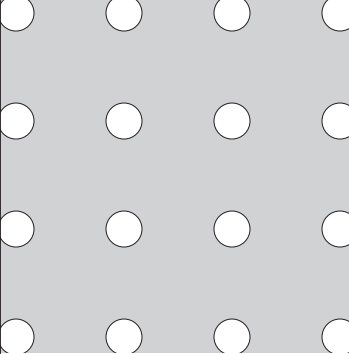
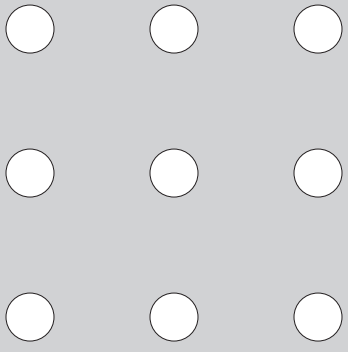
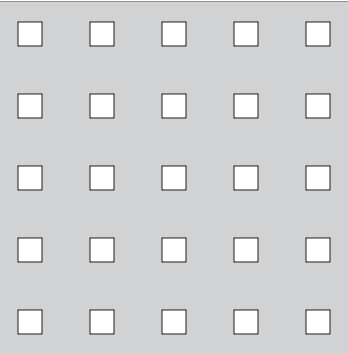
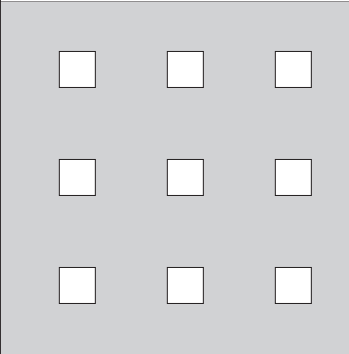
## Perforations

- Perforation patterns shown at 50% of actual size.
- When ordering, please refer to the pattern number for perforation samples (for example, "A062").
- See page 16 for availability.

<b>Round Holes at 60° Alignment</b>	<p><b>Pattern No. B312</b></p>  <p>Round - 5/16" perforations .437" o.c., 46% open area</p>	<p><b>Pattern B500</b></p>  <p>Round - 1/2" perforations .600" o.c., 63% open area Not to be used with the One-Directional CURVATURA System</p>
	<p><b>Pattern No. C062</b></p>  <p>Round - 1/16" perforations .351" o.c., 2% open area</p>	<p><b>Pattern No. C062A</b></p>  <p>Round - 1/16" perforations .175" o.c., 10% open area</p>
<b>Round Holes at 90° Alignment</b>	<p><b>Pattern No. C116</b></p>  <p>Round - 15/128" perforations .344" o.c., 8% open area</p>	<p><b>Pattern No. C188</b></p>  <p>Round - 3/16" perforations 1.414" o.c., 1% open area</p>

# Perforations

- Perforation patterns shown at 50% of actual size.
- When ordering, please refer to the pattern number for perforation samples (for example, "A062").
- See page 16 for availability.

<b>Round Holes at 90° Alignment</b>	<p><b>Pattern No. C250A</b></p>  <p>Round – 1/4" perforations .65" o.c., 12% open area</p>	<p><b>Pattern C375</b></p>  <p>Round – 3/8" perforations 1.125" o.c., 9% open area</p>
	<p><b>Pattern No. C500</b></p>  <p>Round – 1/2" perforations 1.5" o.c., 9% open area</p>	
	<p><b>Pattern No. D250</b></p>  <p>Square – 1/4" perforations .75" o.c., 11% open area</p>	<p><b>Pattern No. D375</b></p>  <p>Square – 3/8" perforations 1.125" o.c., 11% open area</p>
<b>Square Holes at 90° Alignment</b>		

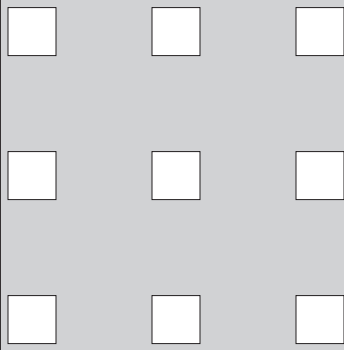
# Celebration and Panz Panels

## Perforations

- Perforation patterns shown at 50% of actual size.
- When ordering, please refer to the pattern number for perforation samples (for example, "A062").
- See page 16 for availability.

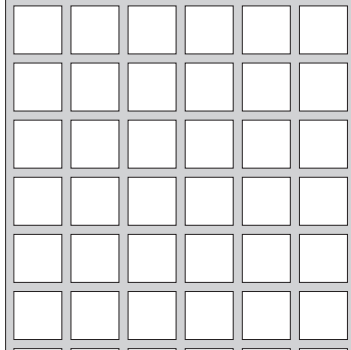
**Square Holes  
at 90° Alignment**

**Pattern D500**



Square—1/2" perforations  
1.5" o.c., 17% open area

**Pattern D500D**



Square—1/2" perforations  
.595" o.c., 70% open area

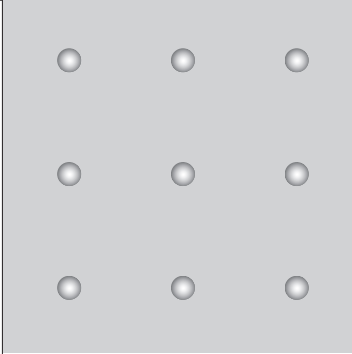
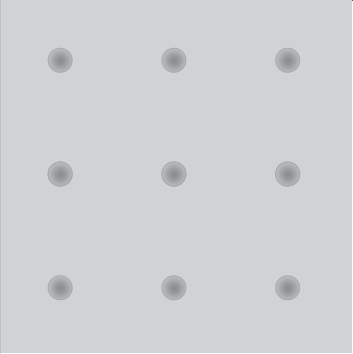


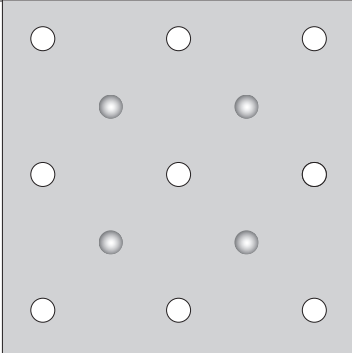
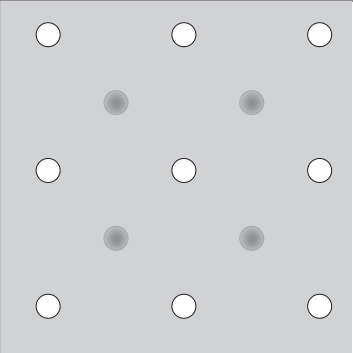


Meets NFPA for sprinklers above.



# Embossing

(Available for 2' x 2' CELEBRATION and PANZ panels)

- Embossing patterns shown at 50% of actual size.
- When ordering, please refer to the pattern number (for example, "to come").
- See page 16 for availability.

	Pattern No. EM25D	Pattern No. EM25U
<b>Embossing Only</b>		
	<p>Round – 1/4" dia. x 1/16" embossing 1.18" o.c., no perforation</p> <p>Face side </p>	<p>Round – 1/4" dia. x 1/16" embossing 1.18" o.c., no perforation</p> <p>Face side </p>
<b>Embossing and Perforations</b>		
	<p>Round – 1/4" perforations 1.41" o.c., 2% open area</p> <p>Black Acoustibond backer standard</p> <p>Face side </p>	<p>Round – 1/4" perforations 1.41" o.c., 2% open area</p> <p>Acoustibond backer not available</p> <p>Face side </p>

# Application Guide

# Specifications

## Metal Ceiling Panels

<b>Part 1: General</b>	<b>1.1 Summary</b>	<p><b>A.</b> Description of Work: Work of this Section includes, but is not limited to, the following</p> <ol style="list-style-type: none"> <li>1. Metal ceiling panels.</li> <li>2. Metal suspension systems.</li> <li>3. Trim and accessories.</li> </ol>
	<b>1.2 Related Work Specified Elsewhere</b>	<p><b>A.</b> See Section _____ - HVAC</p> <p><b>B.</b> See Section _____ - Lighting</p> <p><b>C.</b> See Section 095100(09150)- Acoustical Ceilings</p>
	<b>1.3 Submittals</b>	<p><b>A.</b> Product Data: Submit manufacturer's specifications and installation instructions with Project conditions and materials clearly identified or detailed for each required system.</p>
	<b>1.4 References</b>	<p><b>A.</b> ASTM C635: Standard specifications for Metal Suspension Systems for Acoustical Tile and Lay-in Panel Ceilings.</p> <p><b>B.</b> ASTM C636: Recommended Practice for Installation of Metal Suspension System for Acoustical Tile and Lay-in Panels.</p> <p><b>C.</b> ASTM E119: Fire Tests of Building Construction and Materials.</p> <p><b>D.</b> ASTM C423: Test Method for Sound Absorption and Sound Absorption Coefficients by the Reverberation Room Method.</p> <p><b>E.</b> ASTM E84: Fire Hazard Classification.</p> <p><b>F.</b> CISCA Ceiling System Handbook</p>
	<b>1.5 Quality Assurance</b>	<p><b>A.</b> Reference Standards</p> <ol style="list-style-type: none"> <li>1. ASTM C635, Standard Specifications for Metal Suspension Systems</li> <li>2. ASTM Recommended Practice for Installation of Metal Suspension Systems.</li> <li>3. CISCA Ceiling Systems Installation Handbook</li> </ol> <p><b>B.</b> Submittals</p> <ol style="list-style-type: none"> <li>1. Samples: Submit actual samples and technical data for suspension system main tees and cross tees for review.</li> <li>2. Shop Drawings:             <ol style="list-style-type: none"> <li><b>a.</b> Reflected ceiling plans: Submit ceiling suspension system layout indicating dimensions, lighting fixture locations, and related mechanical components.</li> <li><b>b.</b> Assembly Drawings: Indicate installation details, accessory attachments and installation of related lighting fixtures and related mechanical system components.</li> </ol> </li> <li>3. Manufacturer's Data:             <ol style="list-style-type: none"> <li><b>a.</b> System Details: Submit manufacturer's catalogue cuts or standard drawing showing details of system with project conditions clearly identified and manufacturer's recommended installation instructions</li> </ol> </li> </ol>
	<b>1.6 Delivery, Storage And Handling</b>	<p><b>A.</b> Delivery:</p> <ol style="list-style-type: none"> <li>1. Deliver material to site promptly without undue exposure to weather</li> <li>2. Deliver in manufacturer's unopened containers or bundles, fully identified with name, brand, type and grade</li> </ol> <p><b>B.</b> Inspection:</p> <ol style="list-style-type: none"> <li>1. Promptly inspect delivered materials, file freight claims for damage during shipment, and order replacement materials as require. Any damaged materials shall be promptly removed from the job site</li> </ol> <p><b>C.</b> Storage:</p> <ol style="list-style-type: none"> <li>1. Store above ground in dry, ventilated space.</li> <li>2. Protect materials from soiling, rusting and damage.</li> </ol> <p><b>D.</b> Handling:</p> <ol style="list-style-type: none"> <li>1. Handle in such manner to insure against racking, distortion or physical damage of any kind.</li> </ol>

# Metal Ceiling Panels

**1.7  
Project Conditions**

- A. Environmental Requirements:**
1. Do not install system or any parts until space is enclosed and weatherproof, wet-work is complete and dry, work above installation is complete and space temperature and humidity has been maintained as designed for occupancy.

**1.8  
Coordination  
With Other Work**

- A. General:**
1. Coordinate with other work including mechanical and electrical work and partition systems. Installation of conduit and ductwork above suspension system shall be complete before installation of suspension system.
- B. Protection:**
1. Follow good safety and industrial hygiene practices during handling and installing of all products and systems, with personnel to take necessary precautions and wear appropriate personal protective equipment as needed. Read Material Safety Data Sheets and related literature for important information on products before installation. Contractor to be solely responsible for all personal safety issues during and subsequent to installation; architect, specifier, owner and manufacturer will rely on contractor's performance in such regard.

**Part 2:  
Materials**

**1.1  
Materials**

- A. CELEBRATION metal ceiling panels:**
1. Manufactured by USG (United States Gypsum Company, USG Interiors), Chicago, IL, USA, in compliance with applicable ASTM Standards. Design to be installed with FINELINE suspension system.
  2. Panel finishes shall be: (anodized metal) (painted) (premium) (brushed) (polished) (wood tones) in color/finish# Refer to page 16 for size and finish availability. Refer to page 17 for perforations and embossing.
  3. Accessories:
    - a. UA-25 molding: Channel shape, 1"x1-9/16"x1/2".
    - b. CA5 Retrofit molding: for Ceiling track, finished to match with ceiling panel
    - c. CA2 Retrofit Slip-on molding: For Wall angle, finished to match with ceiling panel
    - d. T15 panel hold-down clip: for cut perimeter panels in UA-25 molding.
    - e. CA1 Arrowhead reveal spacer: For cut perimeter panels into first reveal row.
    - f. CA4 round reveal spacer: For cut perimeter panels adjacent to light or air diffuser, or for use with retrofit U-molding.
    - g. MS274 shadow molding: 7/8" x 3/4" x 9/32" x 1-1/4" for seismic installation.
    - h. Panels with cutouts: For incandescent lights, sprinklers, or speakers.
    - i. Access tool: For Panel removal.
 After installation leave 10 removal tools for maintenance.
- B. PANZ metal lay-in ceiling panels:**
1. Manufactured by USG (United States Gypsum Company, USG Interiors), Chicago, IL, USA, in compliance with applicable ASTM Standards. Installed into a compatible DONN DX/DXL, DXT/DXLT CENTRICITEE, DXF/DXLF FINELINE, or DXFF FINELINE 1/8" suspension system.
  2. Panel finishes shall be: (anodized metal) (painted) (premium) (brushed) (polished) (wood tones) in color/finish# For panel edge and grid interface detail refer to page 11. Refer to page 16 for size and finish availability. Refer to page 17 for perforations and embossing.
  3. Accessories:
    - a. M9 wall molding: 15/16" x 9/16" x 12' long angle shape of prepainted steel.
    - b. MS274 shadow molding: 7/8" x 3/4" x 9/32" x 1-1/4" for seismic installation.
    - c. PZTSL PANZ shadowline perimeter trim: 1/4" x 5/8" x 1/2" x 12'.
    - d. PZTFL PANZ FINELINE perimeter trim: 1/4" x 5/16" x 1/2" x 12'.
    - e. Panels with cutouts: For incandescent light, sprinklers, or speakers with integral trim to conceal the edge of the panel cutout (specify perforation sizes and locations for each type).

# Application Guide Specifications

## Metal Ceiling Panels

		<ul style="list-style-type: none"> <li>C. Suspension System Components:           <ul style="list-style-type: none"> <li>1. General: DONN (DX/DXL) (DXT/DXLT CENTRICITEE) (DXF/DXLF FINELINE) (DXFF FINELINE 1/8") ASTM C635, (INTERMEDIATE) (HEAVY) Duty Classification, commercial-quality cold-rolled steel, exposed surfaces prefinished in manufacturer's standard color. For CELEBRATION panels use only DXF/DXLF FINELINE suspension system.</li> </ul> </li> <li>D. Air Distribution components:           <ul style="list-style-type: none"> <li>1. DONN® CELEBRATION air diffuser: Extruded aluminum frame with matching faceplate and color-coordinated vanes (24"x24"), (one) (two) (three) (four) slot configurations with four directional throw. Finish to coordinate with CELEBRATION panels.</li> <li>2. Plenum: 28-gauge galvanized steel insulated with 1/2" fiberglass insulation, _____ diameter top inlet collar.</li> <li>3. When using PANZ panels specify air diffusers only with the DXF/DXLF FINELINE suspension system.</li> </ul> </li> </ul>
<b>Part 3: Execution</b>	<b>3.1 General</b>	<ul style="list-style-type: none"> <li>A. Standard for Ceiling Suspension System Installations: Comply with ASTM C636.</li> <li>B. Standard for Ceiling Suspension Systems Requiring Seismic Restraint: Comply with ASTM E 580.</li> <li>C. CISCA Ceilings Systems Handbook.</li> </ul>
	<b>3.2 Inspection</b>	<ul style="list-style-type: none"> <li>A. Examine areas to receive ceiling panels for conditions that will adversely affect installation. Provide written report of discrepancies.</li> <li>B. Do not start work until unsatisfactory conditions are corrected.</li> <li>C. Work to be concealed: Verify work above ceiling is complete and installed in manner that will not affect layout and installation of ceiling panels.</li> <li>D. Beginning of installation shall signify acceptance of conditions in areas to receive ceiling panels.</li> <li>E. Fire-rating requirements: Construction above fire-rated assembly shall meet requirements of UL Design specified in 2: Products.</li> </ul>
	<b>3.3 Preparation</b>	<ul style="list-style-type: none"> <li>A. Field dimensions must be verified prior to installation.</li> </ul>
	<b>3.4 Installation</b>	<ul style="list-style-type: none"> <li>A. Standard reference: Install ceiling panels and suspension system, including necessary hangers, grillage, splines, and other supporting hardware, in accordance with ASTM C636, CISCA Ceiling Systems Handbook, (UL Design) and any applicable code requirement.</li> <li>B. Manufacturer's reference: Install ceiling panels in exposed grid systems, supported on all edges, in accordance with manufacturer's warranty.</li> <li>C. Drawing reference: Install ceiling panels in accordance with approved shop drawings.</li> <li>D. Hanger Wires:           <ul style="list-style-type: none"> <li>1. Spacing: Space hanger wires on main tees not more than 48 inches o.c. a maximum of 48" o.c., attaching hangers directly to the structure above, or as required to support loads.</li> <li>2. Limitations: Do not support wires from mechanical and/or electrical equipment, piping or other equipment occurring above ceiling.</li> </ul> </li> <li>E. Accessories: Install accessories as applicable to meet project requirements.</li> <li>F. Install edge moldings and trim of type indicated at perimeter of acoustical ceiling area and where necessary to conceal edges of acoustical tiles.</li> <li>G. Install suspension system runners so they are square and securely interlocked with one another. Remove and replace dented, bent, or kinked members.</li> <li>H. Panels.           <ul style="list-style-type: none"> <li>1. For CELEBRATION panels: install by clipping panels to the underside of the FINELINE grid frame. After installation leave 10 removal tools for maintenance.</li> <li>2. For PANZ panels: Install by dropping panels down into grid frame from above.</li> </ul> </li> </ul>

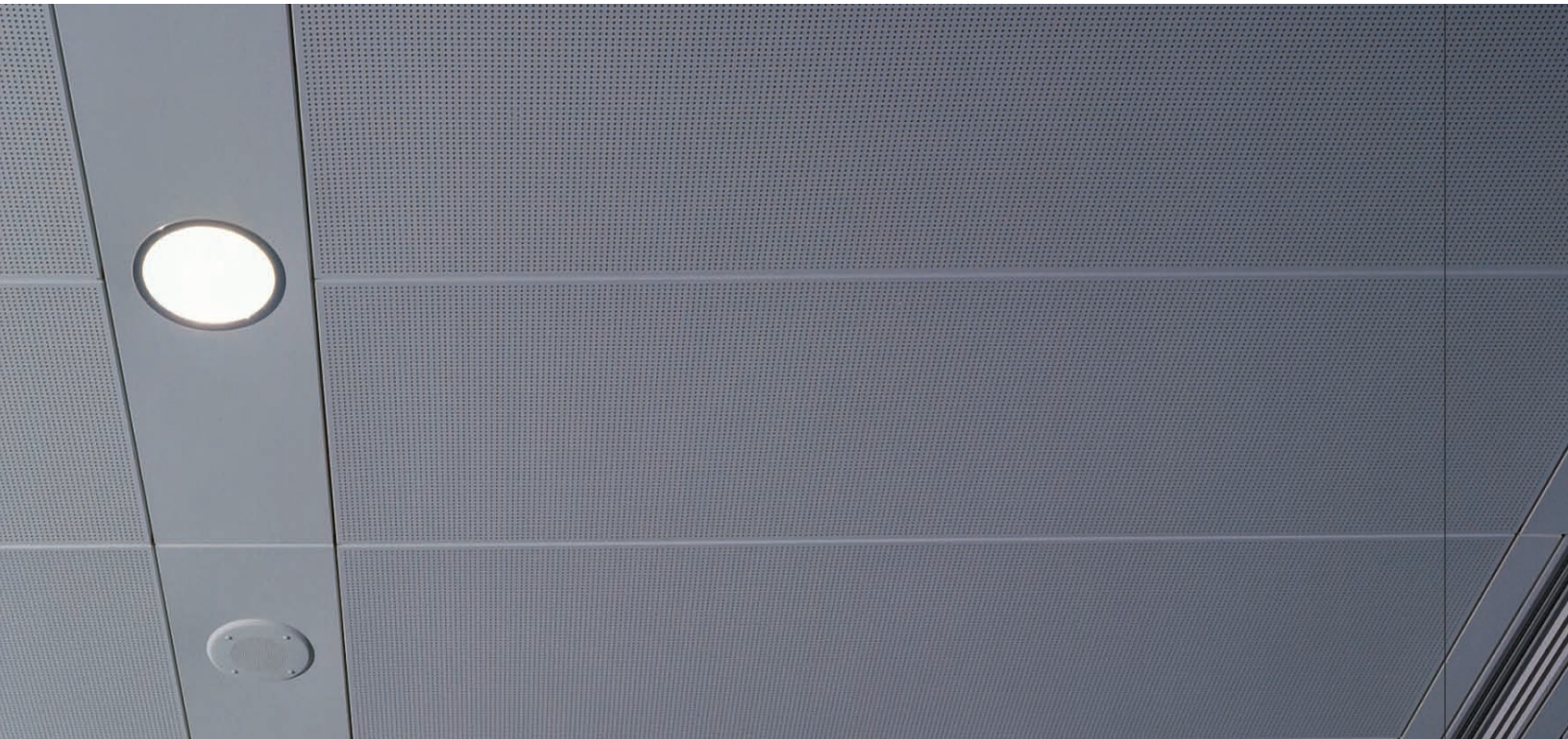
---

**3.5  
Cleaning**

- A.** Suspension System: Remove panel material and perform any necessary cleaning maintenance with non-solvent based commercial cleaner.
- B.** Immediately remove any corrosive substances or chemicals that would attack painted finishes (i.e. wallpaper adhesives).
- C.** Touch up all minor scratches and spots, as acceptable, or replace damaged sections when touch-up is not permitted.
- D.** Painting: Repainting of suspension member shall be with high-quality solvent base enamel paint and applied as recommended by paint manufacturer. Ceiling panels may be touched-up by spraying thinned, non-bridging vinyl-acrylic flat wall paint. The type of paint selected and the method of application can alter the acoustical performance and fire ratings of any acoustical product. Therefore, USG Interiors, Inc. cannot guarantee that the field-painted panels will match the published performance.
- E.** Removal of debris: Remove all debris resulting from work of this section.

# Cool and Contemporary





**Web Sites**

[usg.com](http://usg.com)  
[sustainableceilings.com](http://sustainableceilings.com)  
[seismicceilings.com](http://seismicceilings.com)

**Technical Service**

800 USG.4YOU

**Samples/Literature**

888 874.2450

**Samples/Literature E-mail**

[samplit@usg.com](mailto:samplit@usg.com)

**Samples/Literature/Fax**

888 874.2348

**Customer Service**

800 950.3839

**Product Information**

See [usg.com](http://usg.com) for the most up-to-date product information.

**Note**

All products described here may not be available in all geographic markets. Consult your local sales office or representative for information.

**Trademarks**

The following trademarks used herein are owned by USG Interiors, Inc.: ACOUSTIBOND, AURATONE, CELEBRATION, CENTRICITEE, CLIMAPLUS, DIAMONDFLEX, DX, DXL, ECLIPSE, FINELINE, PANZ.

**Patents**

Patents pending.

**Notice**

We shall not be liable for incidental and consequential damages, directly or indirectly sustained, nor for any loss caused by application of these

goods not in accordance with current printed instructions or for other than the intended use. Our liability is expressly limited to replacement of defective goods. Any claim shall be deemed waived unless made in writing to us within thirty (30) days from date it was or reasonably should have been discovered.

**Safety First!**

Follow good safety and industrial hygiene practices during handling and installation of all products and systems. Take necessary precautions and wear the appropriate personal protective equipment as needed. Read material safety data sheets and related literature on products before specification and/or installation.

