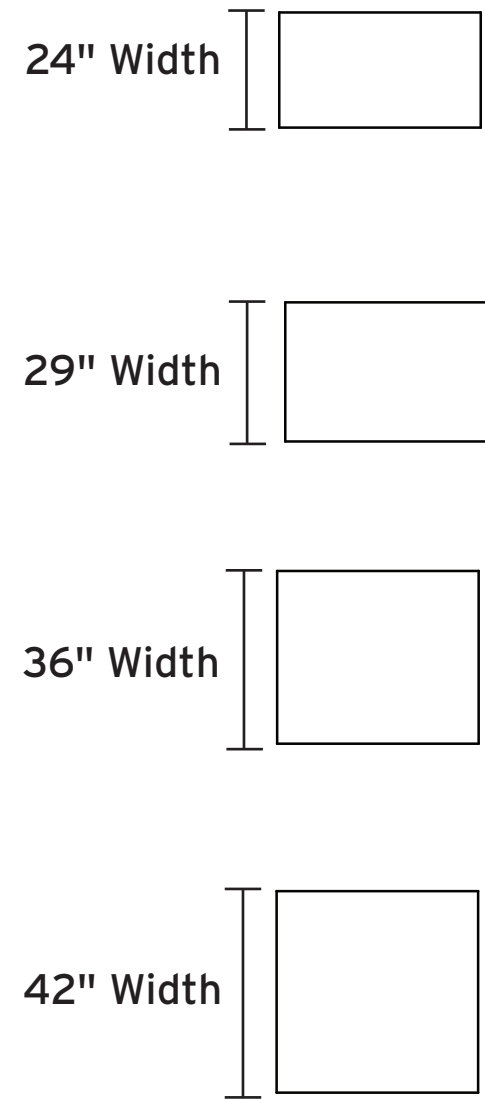
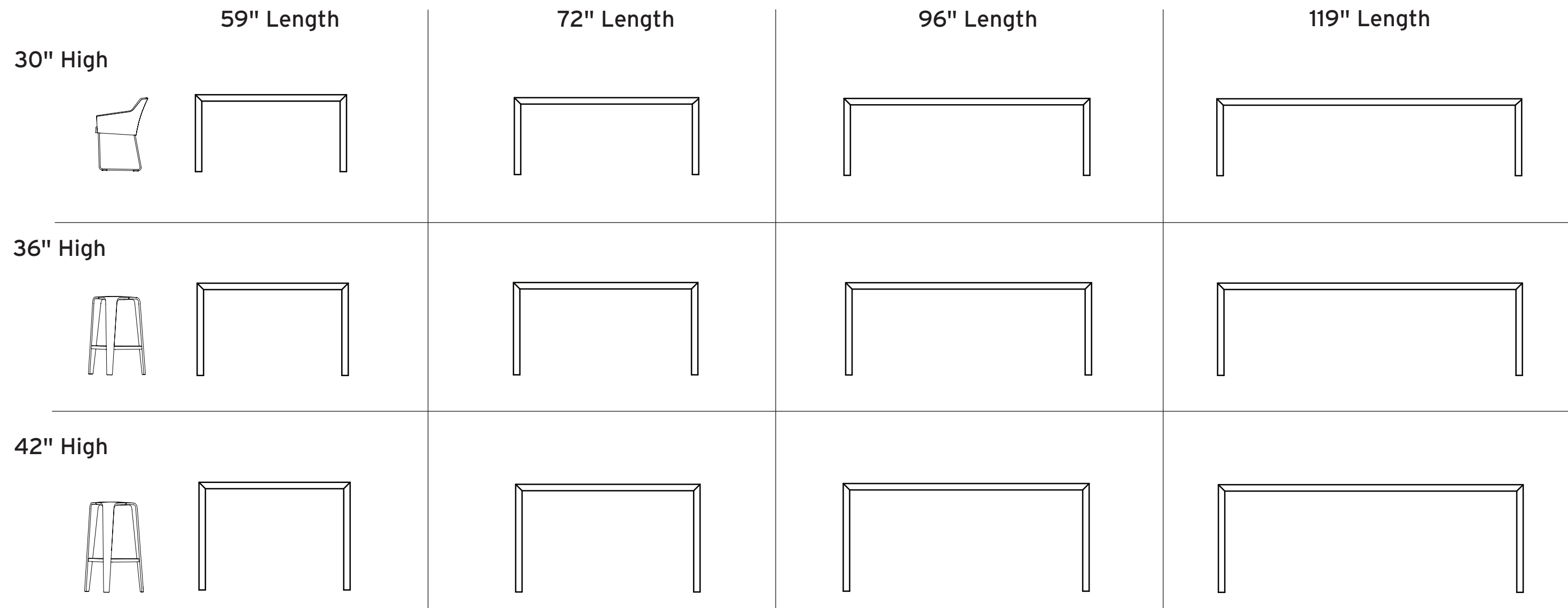


**Overall Widths**



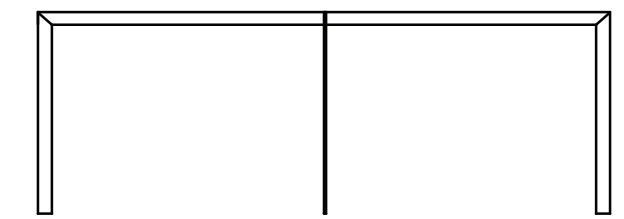
**Tables**



**Prat**  
Designed by Davis Design Team

**DAVIS®**

**119" Length**  
*T-leg*

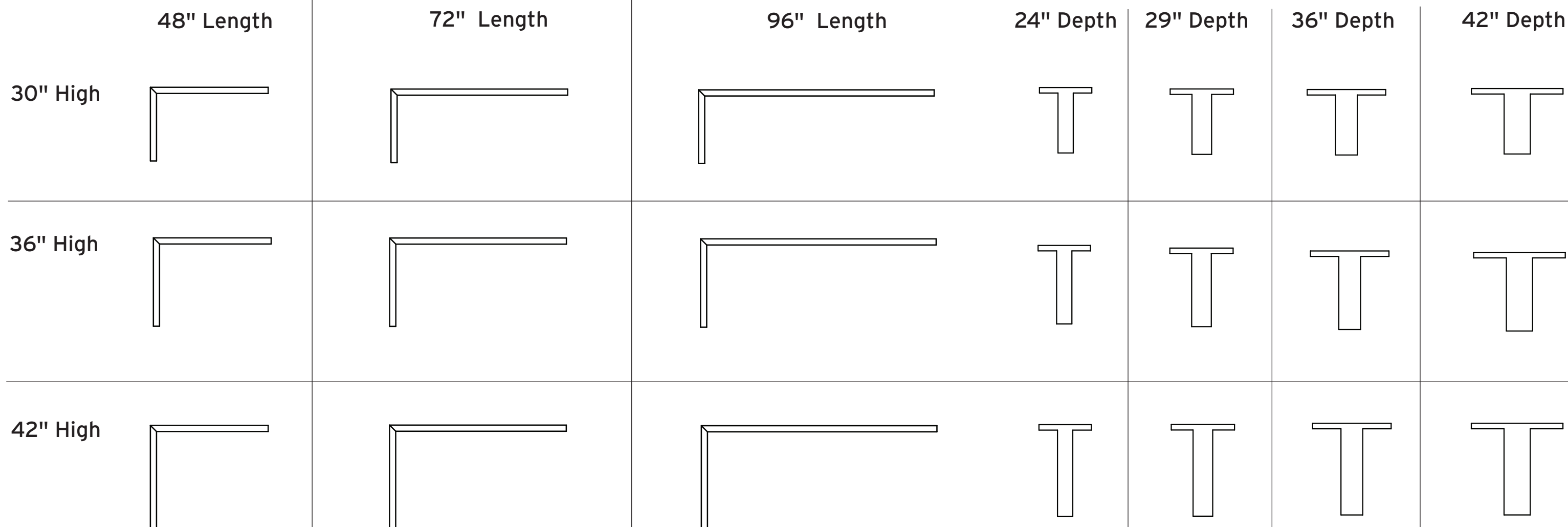


**Table Sections**

*Spanner Tables*

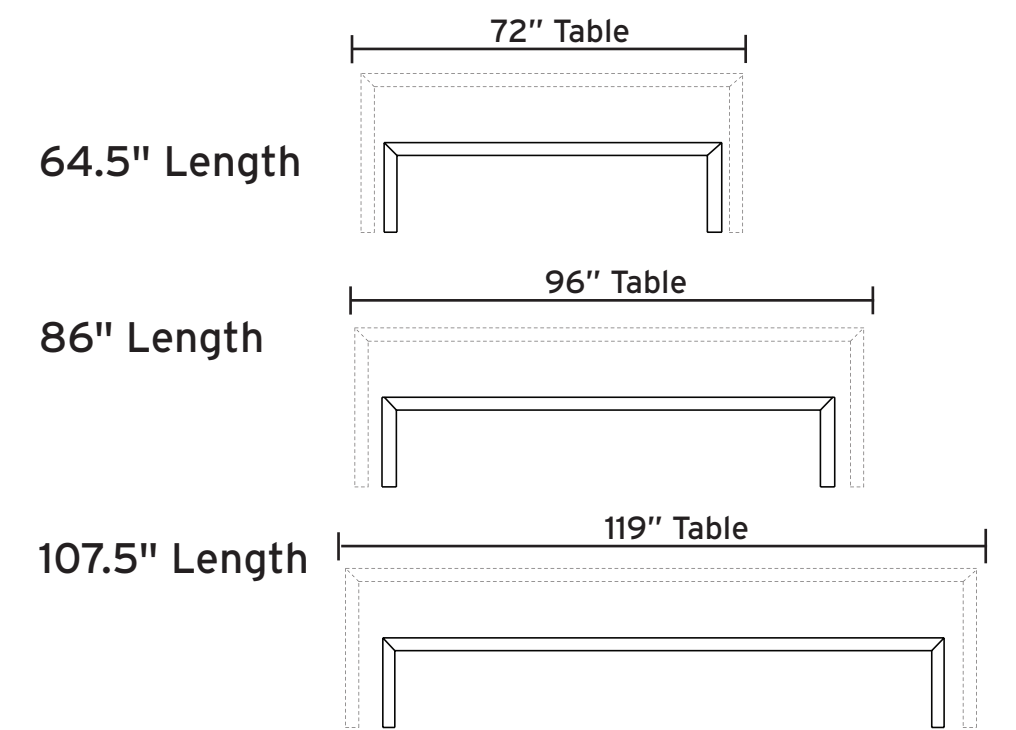


*End Sections*



*"T" Legs – used on Spanner and End Section tables*

**Benches**



**Cushions**

