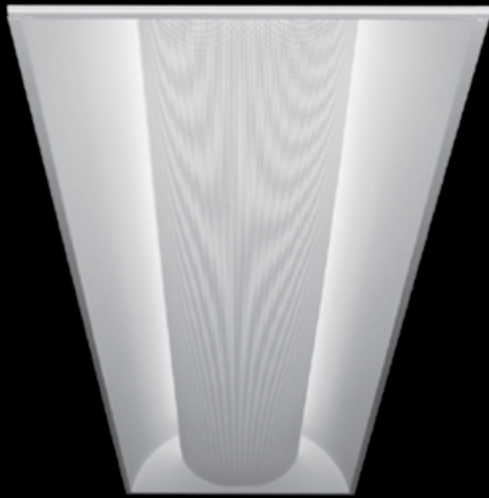


# Luna<sup>®</sup> 1x4

FLUORESCENT

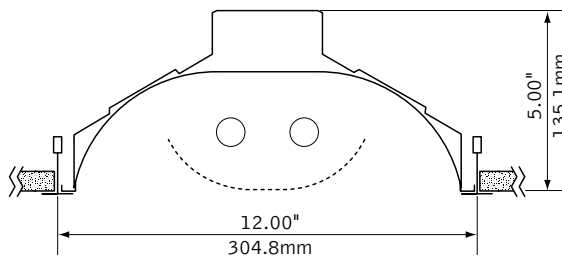


perforated



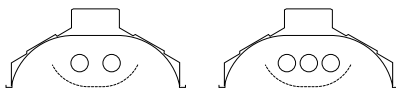
radial blade louver

## DIMENSIONAL DATA

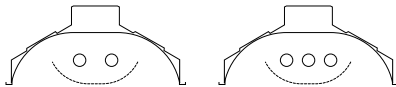


Overall height for ST luminaire is 5.50"

### lamping options



T8 LAMPS



T5/T5HO LAMPS

## FEATURES

- 1'x4' recessed indirect with perforated center basket.
- Reflector and end caps form seamless one-piece housing.
- High reflectance, low gloss Matte White finish controls glare and provides high efficiency.
- Perforated shield hinges open for quick and easy relamping.
- Optional radial blade louver offers a distinct look that highlights interior architecture.
- All luminaire combinations may be continuously row mounted.
- Luna<sup>®</sup> provides high angle uniform distribution ideal for general illumination.

## PERFORMANCE

PRODUCT OVERVIEW	
Lumen Output:	3440-6110lm
Wattage:	62-177W
Lamping:	T5, T5HO, T8

2-Lamp T8  
**59% Efficient**  
**1305 cd @ 0°**

Visit [focalpointlights.com](http://focalpointlights.com) for complete photometric data.

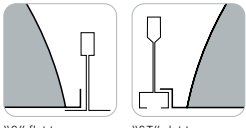
fixture:

project:

## MOUNTING INFORMATION

**grid**

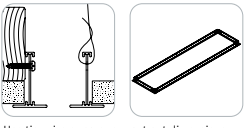
specify "G" for flat 9/16" and 15/16" tee or "ST" for 9/16" slot tee grid types.



"G" flat tee  
Luminaires may be installed in T-bar ceiling systems up to 1 11/16" high in T8 lamp configurations.  
Overall height for ST luminaire is 5.50".

**drywall frame kit**

specify "DF" Drywall Frame Kit for drywall ceiling conditions.



Use tie-wire or screws to secure frame kit.

cut out dimensions:  
1': Min: 12.25"  
Max: 12.563"  
4': Min: 48.25"  
Max: 48.563"

## SPECIFICATIONS

### Construction

One-piece 20 Ga. steel reflector and housing. 20 Ga. steel ends form finished housing. Lamps are shielded by detachable 22 Ga. steel perforated lamp shield with acrylic lens insert. Lamp shield is secured by four spring-pins allowing shield to hinge down for relamping. Optional radial blade louver: .75"H x 1" frequency fabricated of 20 Ga. steel with acrylic lens insert. Top access 20 Ga. steel ballast compartment. Weight: 16 lbs.

### Optic

One-piece 20 Ga. steel reflectors finished in Matte Satin White powder coat.

### Electrical

Electronic ballasts are thermally protected and have a Class "P" rating. Optional dimming ballasts available. Consult factory for dimming specifications and availability.

### Labels

UL and cUL listed.

### Finish

Polyester powder coat applied over a multi-stage pre-treatment.

## ORDERING

Luminaire Series	FLU
Luna	FLU
<b>Nominal Size</b>	
1' x 4'	14
<b>Shielding</b>	
Perforated Shield	PS
Radial Blade Louver	RLP
<b>Lamp Quantity</b>	
Two Lamps	2
Three Lamp	3
<b>Lamp Type</b>	
T8	T8
(1 11/16" maximum grid height)	
T5	T5
T5HO	T5HO
<b>Circuit</b>	
Single Circuit	1C
Dual Circuit	2C
<b>Voltage</b>	
120 Volt	120
277 Volt	277
347 Volt	347
(Consult factory for dimming options)	
UNV Volt	UNV
(Cannot be specified with EM option)	
<b>Ballast</b>	
Electronic Program Start <10% THD	S
0-10V	D7
Lutron 1% 3-wire	DH
Lutron 1% H-Series	DK
<b>Mounting</b>	
Drywall Frame Kit	F
(Cut out dimensions: Min: 12.25" Max: 12.563" Min: 48.25" Max: 48.563")	
Grid	G
Slot Tee	ST
Surface Mount	SM
<b>Factory Options</b>	
Air Return	AR
Chicago Plenum	CP
Dust Cover	DC
Emergency Battery Pack*	EM
Positional Clip	EQ
HLR/GLR Fuse	FU
6' New York City Flex Whip	FNY
6' Flex Whip	FW
Include 3000K Lamp*	L830
Include 3500K Lamp*	L835
Include 4100K Lamp*	L841
Ballast Saving Tandem*	BST
Labor Saving Master Satellite*	LS
Separate Circuit Tandem*	SCT
<b>Finish</b>	<b>WH</b>
Matte Satin White	WH