

Installation Instructions

Stainless Steel Flush Mount Corner Guard

Please read all instructions before installing corner guard.

Important

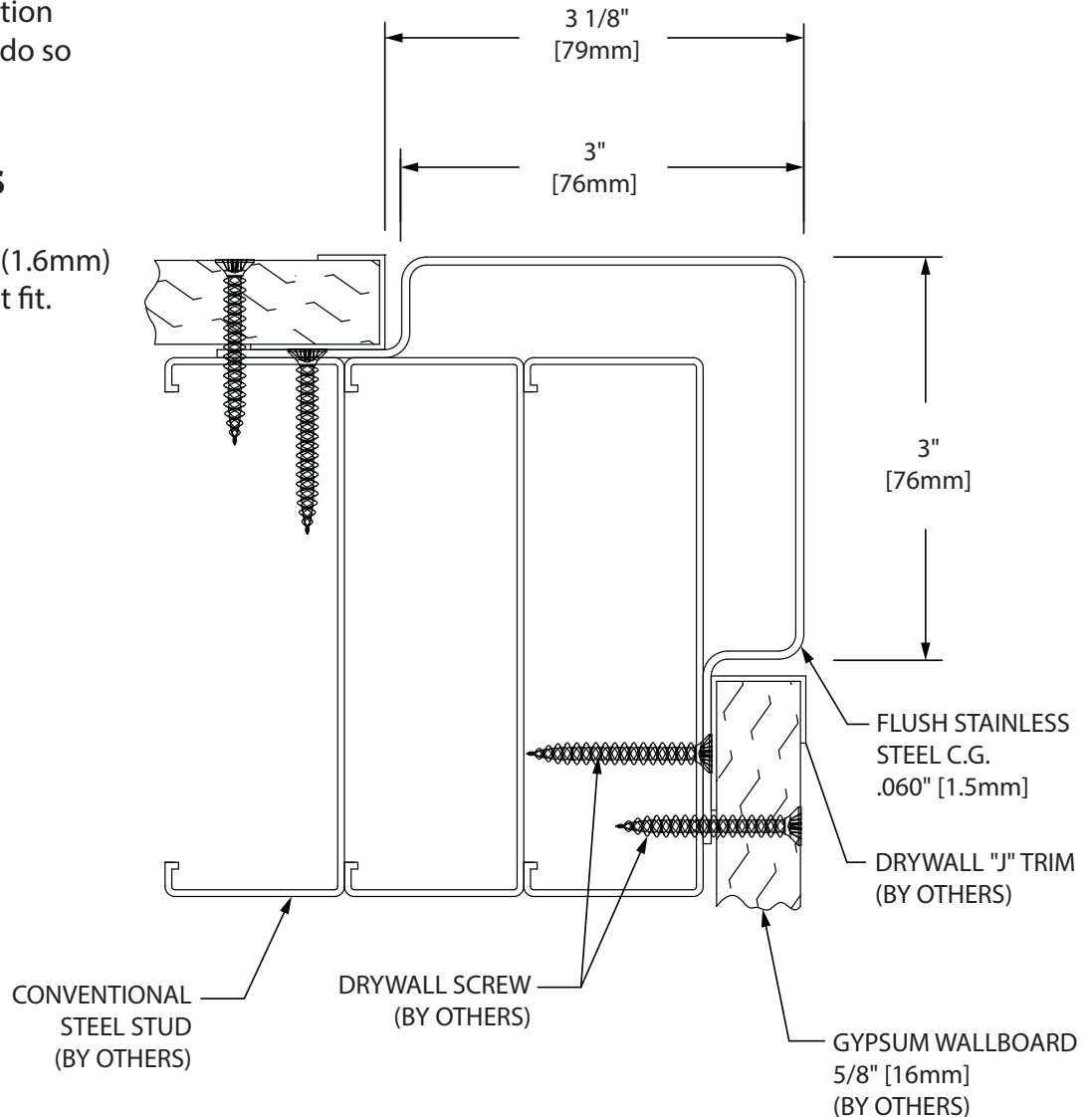
1. Acclimate materials 24 hrs before installation. Maintain temperature controlled environment after installation
2. Install in accordance with manufacturer's installation instructions. Failure to do so will void the warranty.

Installation tips

1. Cut covers up to 1/16" (1.6mm) longer to ensure a tight fit.

Section Views

NOTE: 3" [76mm] Wings Shown, Custom Sizes Available



Recommended tools

Safety Glasses, Tape Measure, Level, Power Drill, 1/4" Socket, Drill Bits - 1/4" masonry (concrete/concrete block), Power Miter Saw, 10" Blade with 60-80 Carbide Tipped Teeth

IPC.421/REV.3

Installation Hotline • 866.EZINPRO
Inprocorp.com • 800.222.5556 • 262.679.9010
World Headquarters S80 W18766 Apollo Drive, Muskego, WI 53150 USA

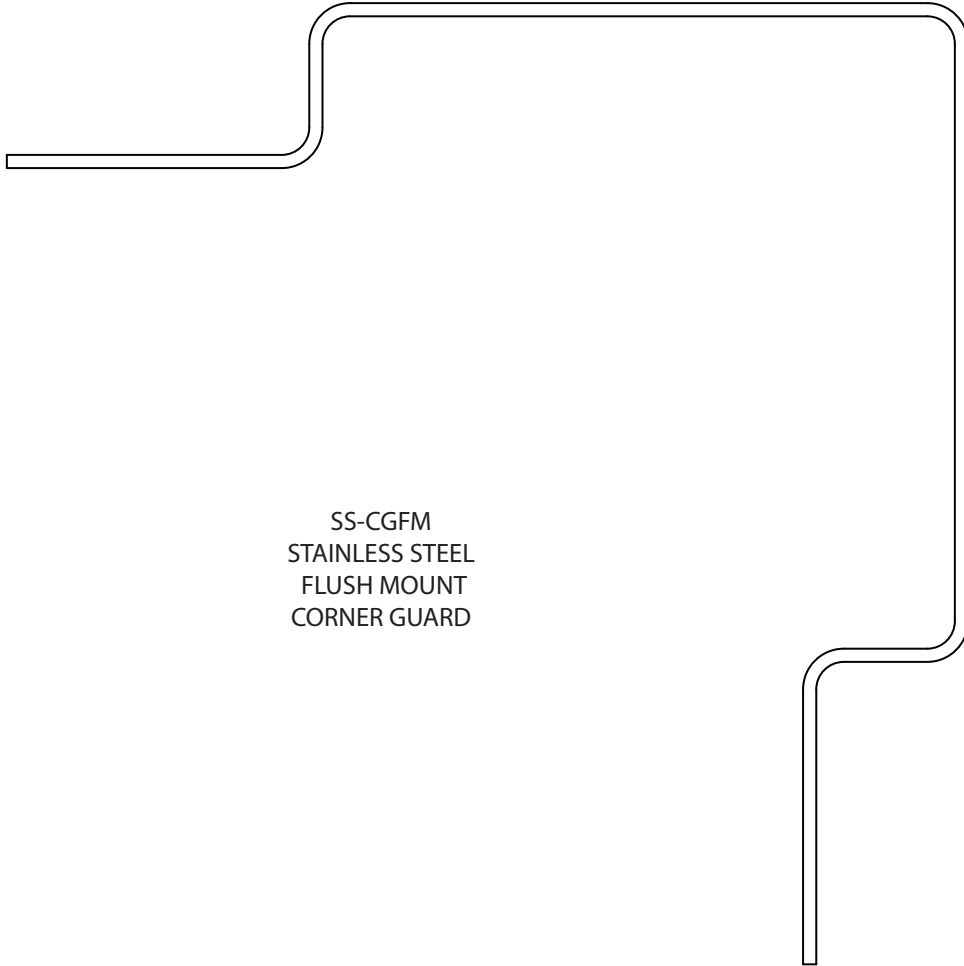
IPC •
DOOR + WALL PROTECTION SYSTEMS
A DIVISION OF INPRO®

Installation Instructions

Stainless Steel Flush Mount Corner Guard

Please read all instructions before installing corner guard.

Components and Fasteners



Condition	Specified Fasteners	Inpro Part #
Drywall	#6 x 3/4" Flat Head Screw	By Others

Installation Hotline • 866.EZINPRO
Inprocorp.com • 800.222.5556 • 262.679.9010
World Headquarters S80 W18766 Apollo Drive, Muskego, WI 53150 USA

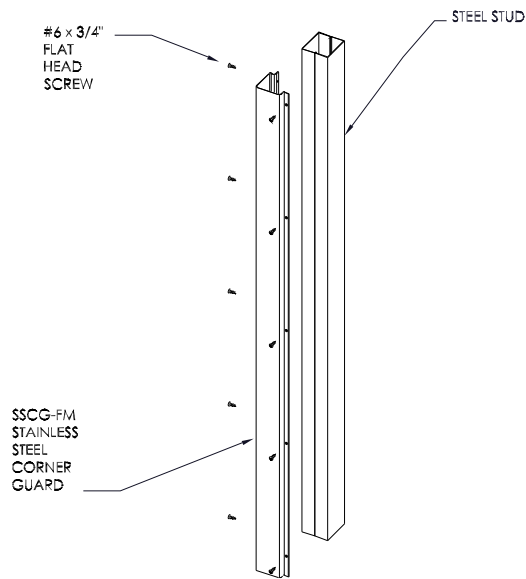
IPC •
DOOR + WALL PROTECTION SYSTEMS
A DIVISION OF INPRO®

Installation Instructions

Stainless Steel Flush Mount Corner Guard

Please read all instructions before installing corner guard.

FIG. 1



1. Before installations of drywall; attach the Flush Mount Stainless Steel Corner Guard to the corner studs.
SEE FIG. 1

2. Install drywall over the corner guard mounting flange. Use J-Channel drywall trim to finish the edge of the drywall.
SEE FIG. 2

3. Remove protective film from the corner guard.

FIG. 2

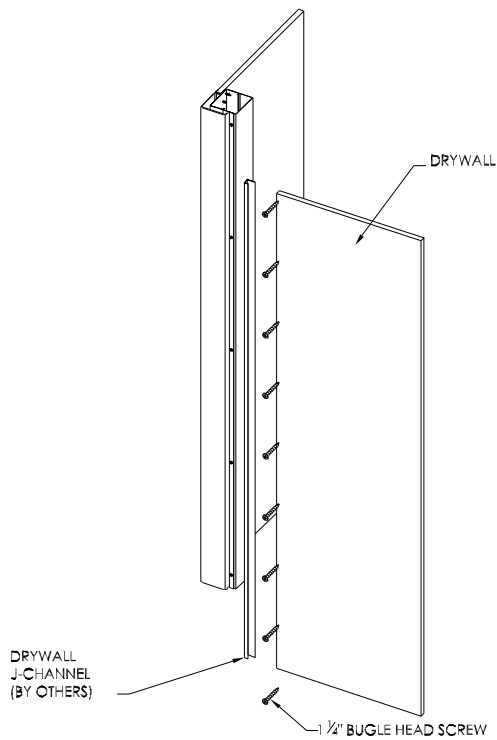


FIG. 3

