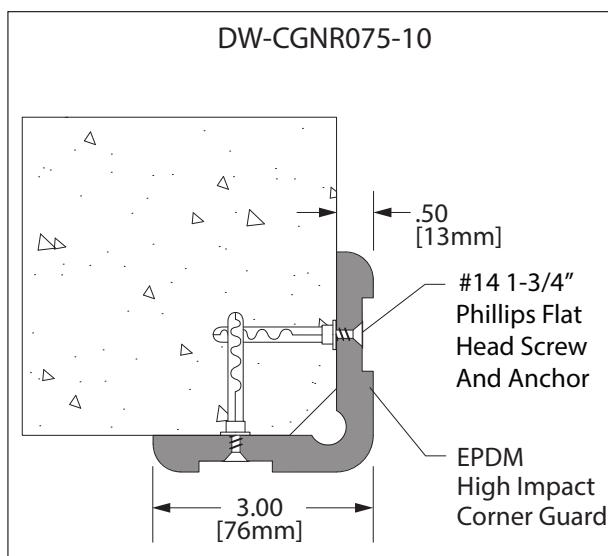


Heavy Duty Rubber

Corner Guard



DW-CGNR075-10



DW-CGNR075-10

- Provides 3" (76mm) wing with 90° corner protection
- Manufactured in 10' (3.05m) standard heights
- Suitable for interior and exterior applications
- Available in black

IPC.370/Rev.5

Heavy Duty Rubber Corner Guard

Suggested Specifications

Part 1 - GENERAL

1.01 SUMMARY

A. Rubber corner guards for wall and corner protection

1.02 SECTION INCLUDES

A. Heavy Duty Rubber Corner Guards

1.03 REFERENCES

A. British Standard (BS)
B. International Rubber Hardness Degree (IRHD)
C. American Standard for Testing and Materials (ASTM)

1.04 SYSTEM DESCRIPTION

A. Performance Requirements Corner Guards: Provide heavy duty rubber corner guards that conform to the following requirements of regulatory agencies and the quality control of Joint Master, InPro Corporation.

1. Tensile: Provide heavy duty rubber corner guards with a maximum tensile of 14 mn/m², when tested in accordance with BS 903 A2.
2. Elongation: Provide heavy duty rubber corner guards with a 300% minimum elongation when tested in accordance with BS 903 A2.
3. Hardness: Provide heavy duty rubber corner guards with a hardness of 65-75 IRHD when tested in accordance with BS 903 A26.
4. Compression Set: Provide heavy duty rubber corner guards with a maximum compression set of 30% when tested in accordance with BS 903 A6A for 22 hours at 70°C.
5. Tear Resistance: Provide heavy duty rubber corner guards with a minimum tear resistance of 40N/mn when tested in accordance with BS 903 A3,m method C.

1.05 SUBMITTALS

A. Product Data: Manufacturer's printed product data for each type of protection product specified.

B. Detail Drawings:

C. Samples: Verification samples of corner guards in full size profiles of each type indicated.

D. Manufacturer's Installation Instruction: Printed installation instructions for heavy duty rubber corner protection.

1.06 DELIVERY, STORAGE AND HANDLING

- A. Deliver materials in unopened factory packaging to the jobsite
- B. Inspect materials at delivery to assure that specified products have been received.
- C. Store in original packaging in a climate controlled location away from direct sunlight.

1.07 WARRANTY

A. Corner Protection: Standard Inpro Corporation Limited Lifetime Warranty against material and manufacturing.

PART 2 - PRODUCTS

2.01 MANUFACTURER

A. Acceptable Manufacturer/Distributor: JointMaster/InPro Corporation
S80 W18766 Apollo Drive
Muskego, WI 53150 USA;
Telephone: 800-222-5556, Fax: 888-715-8407,
Internet address: <http://www.inprocorp.com>
B. Substitutions: Not permitted.
C. Provide all heavy duty rubber corner guards from a single source.

2.02 MANUFACTURED UNITS

A. Corner Guard Profile

1. Heavy Duty EPDM Corner Guard Model number: DW-CGNR075-10, 3"(76mm) x 3"(76mm) x 10' (3.05m)

2.03 MATERIALS

A. Heavy duty rubber corner guard shall be extruded from UV resistant and ageing resistant ethylene propylene diene monomer (EPDM).

2.04 FINISHES

A. Heavy Duty Rubber Corner Guards: Colors of the wall and corner guard shall be black in a uniform quality and free from foreign substances.

PART 3 - EXECUTION

3.01 EXAMINATION

A. Examine areas and conditions in which the wall protection will be installed.
1. Complete all finishing operations, including painting, before beginning installation of wall protection materials.

B. Wall surface shall be dry and free from dirt, grease and loose paint.

3.02 PREPARATION

A. General: Prior to installation, clean substrate to remove dust, debris and loose particles.

3.03 INSTALLATION

A. General: Locate product as indicated on the approved detail drawing for the appropriate substrate, and in compliance with the Inpro installation instructions. Install product level and plumb at the location indicated on the drawings.

3.04 CLEANING

A. At completion of the installation, clean surfaces in accordance with the Inpro Clean up and maintenance instructions.

Inprocorp.com • 800.222.5556 • 262.679.9010

World Headquarters S80 W18766 Apollo Drive, Muskego, WI 53150 USA

IPC® •

DOOR + WALL PROTECTION SYSTEMS
A DIVISION OF INPRO®