

# Installation Instructions

## Heavy Duty Rubber Corner Guards

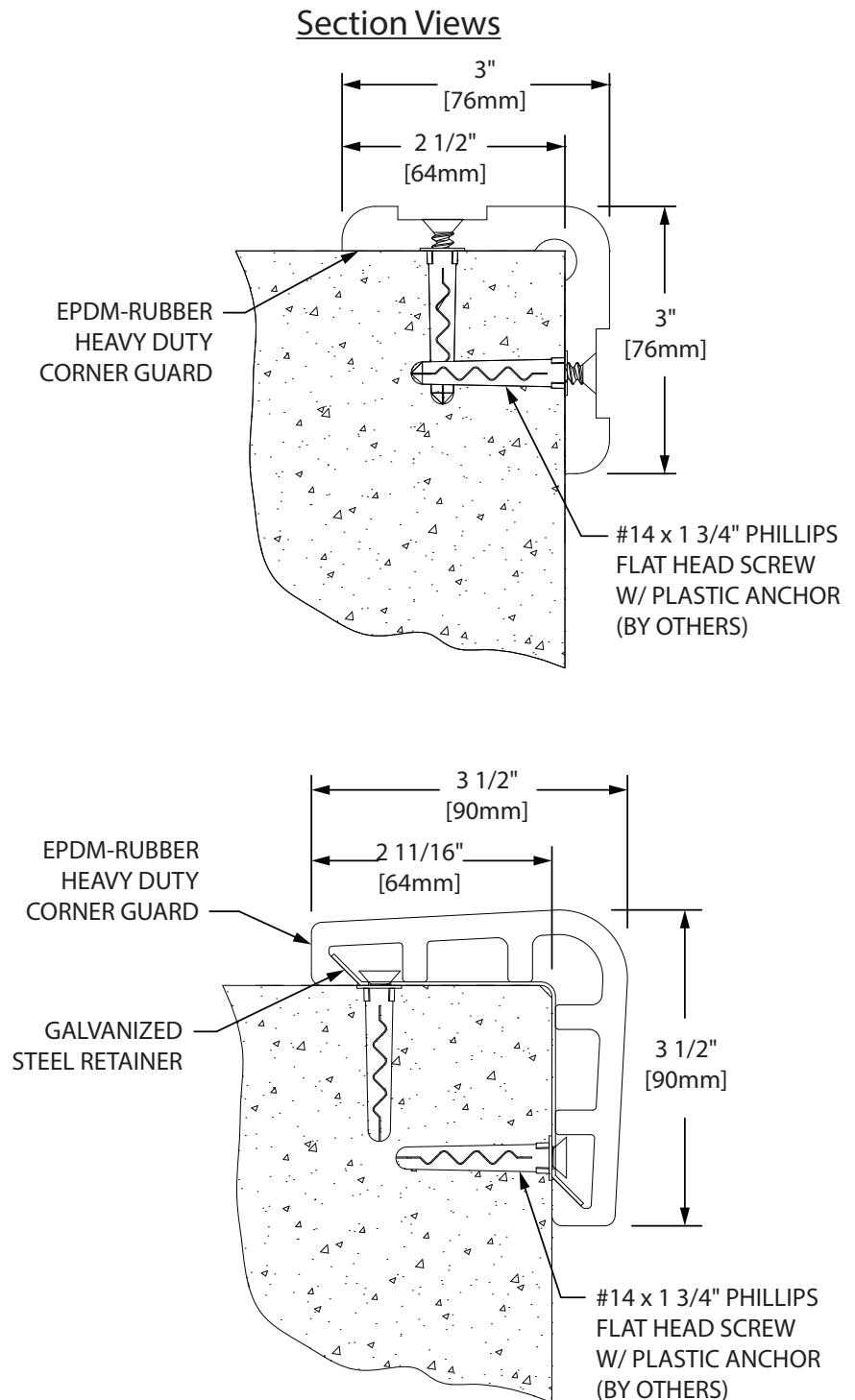
Please read all instructions before installing corner guard.

### Important

1. Acclimate materials 24 hrs before installation. Maintain temperature controlled environment after installation
2. Install in accordance with manufacturer's installation instructions. Failure to do so will void the warranty.

### Installation tips

1. Cut covers up to 1/16" (1.6mm) longer to ensure a tight fit.



### Recommended tools

Safety Glasses, Tape Measure, Level, Power Drill, 1/4" Socket, Drill Bits - 1/4" masonry (concrete/concrete block), Power Miter Saw, 10" Blade with 60-80 Carbide Tipped Teeth

IPC.403/REV.4

Installation Hotline • 866.EZINPRO  
Inprocorp.com • 800.222.5556 • 262.679.9010  
World Headquarters S80 W18766 Apollo Drive, Muskego, WI 53150 USA

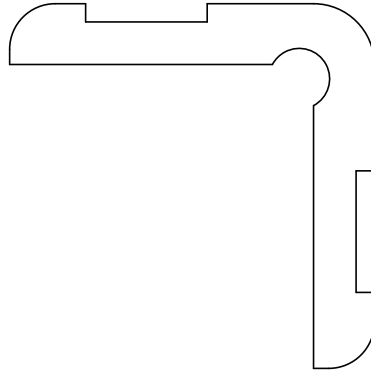
**IPC**® •  
DOOR + WALL PROTECTION SYSTEMS  
A DIVISION OF INPRO®

# Installation Instructions

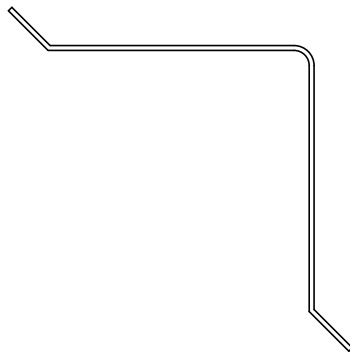
## Heavy Duty Rubber Corner Guards

Please read all instructions before installing corner guard.

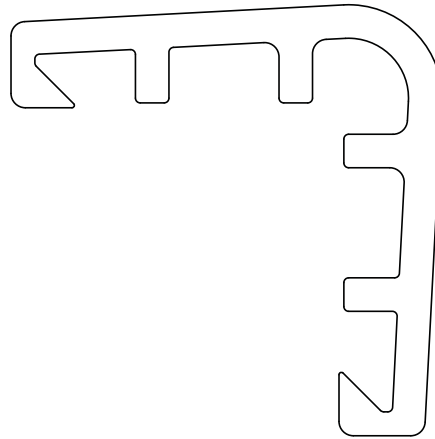
### Components and Fasteners



DW-CG NR075-10  
HEAVY DUTY  
CORNER GUARD



J-CGR90  
HEAVY IMPACT CG  
METAL RETAINER



DW-CG NR090-10  
HEAVY DUTY  
CORNER GUARD  
(EPDM ONLY)

DW-RB0202120  
HEAVY DUTY  
CORNER GUARD  
(w/ RETAINER)

Condition	Specified Fasteners	Inpro Part #
Drywall/Concrete	#14 x 1 3/4" Phillips Flat Head Screw and Plastic Anchor (By Others)	By Others

Installation Hotline • 866.EZINPRO  
Inprocorp.com • 800.222.5556 • 262.679.9010  
World Headquarters S80 W18766 Apollo Drive, Muskego, WI 53150 USA

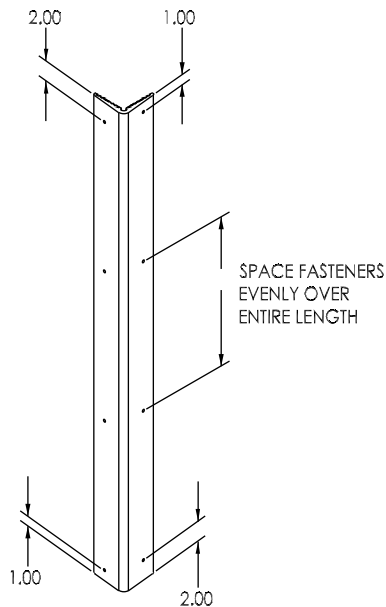
**IPC** •  
DOOR + WALL PROTECTION SYSTEMS  
A DIVISION OF INPRO®

# Installation Instructions

## Heavy Duty Rubber Corner Guards

Please read all instructions before installing corner guard.

FIG. 1



1. Cut the corner guard to desired length. Select a #12 stainless steel fastener that is appropriate for the substrate. Drill  $\frac{9}{32}$ " holes in the corner guard. SEE FIG. 1
2. Use the corner guard as a template and transfer the hole location to the wall. Drill holes in the wall using the drill size recommended by the fastener manufacturer. SEE FIG. 2
3. Attach the corner guard to the wall with flat washers and fasteners. SEE FIG 3 & 4

FIG. 2

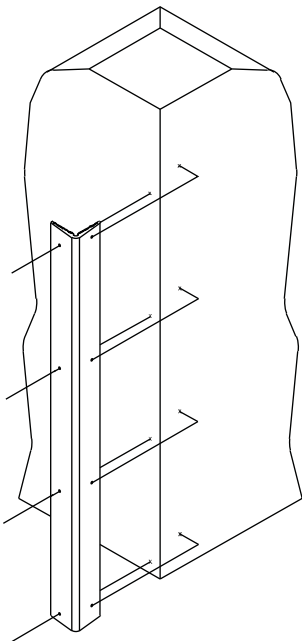


FIG. 3

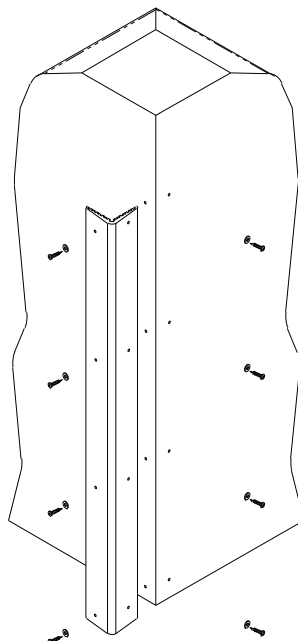


FIG. 4

