



Prices effective February 6, 2017

Published December 2017

# HermanMiller Collection

<b>Introduction</b>	<b>page 2</b>
<b>HermanMiller Collection</b>	
Seating	3
Side and Stacking Chairs	5
Lounge Seating	90
Stools	194
Benches	229
Work Chairs	246
Sofas	261
Desks and Tables	369
Desks	371
Tables	375
Occasional Tables	420
Storage	481
Bedroom	577
Accessories	583
Nelson Bubble Lamps	614
Outdoor Furniture	643
Seating	645
Tables	671
<b>Indices</b>	<b>681</b>
By Name	681
By Number	687
<b>Appendices</b>	
20-Day or Less/Assigned Lead-Time Order Information	
Stain-to-Match Program	
Casters and Glides	
Customer's Own Material/Customer's Own Leather Order Information-Seating	
Proprietary Textiles Application Chart-Collection Seating	
Proprietary Textile Colors-Collection Seating	
Maharam Application Chart-Collection Seating	
Maharam Textile Colors-Collection Seating	
<b>For the latest materials information, refer to the Materials pages on HermanMiller.com.</b>	

# Introduction

## A Note on the Organization of This Book

There are a few signals that will help you understand the organization of this book. Once you know them, you should be able to find your way around easily.

### Like a newspaper, this book is formatted with columns of text and illustrations that run vertically.

Information wraps from one column to the next and continues for as many pages as it needs to.

### Black bars are clues.

A black bar at the top of a page signals the start of information about a product.

This information is divided into two sections, each signaled by a black bar. Product Information includes a description, additional notes, and dimensional drawings. Specification Information, which always begins at the top of a column, includes a series of steps. Each step represents a decision you need to make in order to complete your product number. Steps must be followed sequentially. The number of pages needed to complete information on a product varies; some will be complete in one page; others may fill three or four pages. Just continue going through the steps until you run into the next product, signaled by the black bar at the top of the page.

Black tabs running along the outside edge of the page help you locate what section you are in or what section you want to go to. You can thumb forwards or backwards to find a section; tabs and text appear on both sides of the page.

The additional pages in the back of the book include the appendices and indices. They are signaled by a long black bar running along the outside edge of the page.

### The index is presented two ways.

The first index is in alphabetical order by product name. It can be helpful if you are new to the products and numbering scheme or if you are looking for a type of product, such as work chair or round table.

The second index is by product number. It lists, in alphanumeric order, the base product number, typically a five-digit number.

## General Information

This book is effective February 6, 2017, subject to change without notice. Products may be purchased from authorized Herman Miller dealers who will quote prices upon request. For more information about our products and services or to see a list of dealers, visit [www.HermanMiller.com](http://www.HermanMiller.com).


All prices are list prices. Additional services, such as planning services, design, storage, and installation, are not included and must be added to these prices when the additional services are requested.


Illustrations, specifications, and prices are based on the latest information at the time of publication. The right is reserved to make changes at any time without notice in prices, fabrics, finishes, materials, specifications, and models, and also to discontinue models and finishes.

Dimensions shown in the drawings are engineering drawing dimensions rounded up to the nearest  $\frac{1}{8}$ ". Product is shipped set up or knocked down. Products that include "Shipped knocked down" in the description require some assembly. If this statement does not appear in the description, the product is shipped assembled.

Service problems are normally handled by a Herman Miller authorized dealer. Where this cannot be accomplished on a local level, service problems should be referred to the Customer Care Representative for your region, Herman Miller, Inc., Zeeland, Michigan 49464.

### 20-Day or Less/Assigned Lead-Time Shipments

All products and options in this price book not designated by an Assigned Program icon  will ship in **20 business days or less** after being acknowledged by Herman Miller.

Products and options designated by an  are on the assigned lead-time program and may ship in 20 days, less than 20 days, or more than 20 days from order acknowledgement.

**Side & Stacking Chairs**

**Lounge Seating**

**Stools**

**Benches**

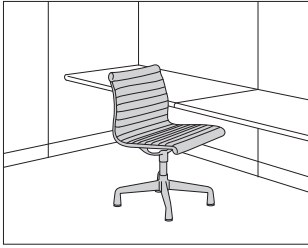
**Work Chairs**

**Sofas**



Eames® Aluminum Group Side Chair

EA306  
EA308



**Product Information**

**Description**

This low-back chair has a lightweight aluminum frame with suspended upholstery. It has a 4-star base with 1/2" (GD) glides for hard floors or carpet and fixed seat height. The chair is available with or without a swivel mechanism.

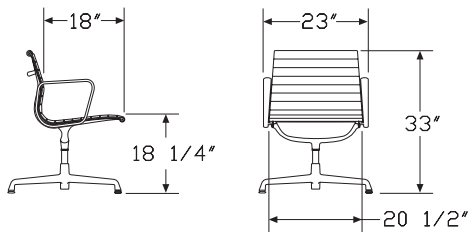
**Notes**

Chair is tested and warranted for use by persons 300 pounds and under. When chair is specified with Cygnus™ mesh, it meets CAL 133 requirements.

For description of glide, see Casters and Glides in Appendices.

Customer's Own Material (COM) requires 1 1/3 yards. Customer's Own Leather (COL) requires 45 square feet. See Order Information in Appendices.

**Dimensions**



**Specification Information**

**Step 1.**

**EA30**  A

**Step 2. Arms**

- 6** no arms
- 8** arms

**Step 3. Swivel**

- S** swivel base
- F** fixed base, no swivel

**Prices for Steps 1-3.**

**EA306 S** \$1281  
**F** \$1363

**EA308 S** \$1680  
**F** \$1763

**Step 4. Base/Frame Finish**

- L** polished aluminum +\$0
- BK** black  A +\$87
- G2** graphite satin  A +\$87
- 91** white  A +\$87

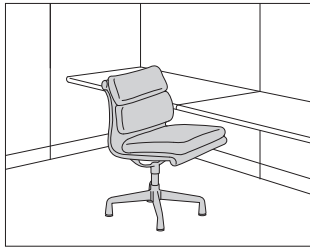
# Eames® Aluminum Group Side Chair *continued*

HermanMiller Collection—Side & Stacking Chairs

Step 5. Fabric	
Price Category 1	+\$0
Price Category 2	+\$48
Price Category 3	+\$90
Price Category 4	+\$138
Price Category (Geiger) 4	+\$138
Price Category 5	+\$152
Price Category 6	+\$217
Price Category 7 <span style="border: 1px solid black; padding: 0 2px;">A</span>	+\$180
Price Category (Geiger) 7	+\$180
Price Category 9	+\$591
Price Category (Geiger) 10	+\$668
Price Category 11	+\$768
Price Category B	+\$39
Price Category D	+\$75
Price Category E	+\$94
Price Category F	+\$122
Price Category G	+\$159
Price Category H	+\$193
Price Category I	+\$227
Price Category J	+\$261
Price Category K	+\$294
Price Category L	+\$328
Price Category FF	+\$2973

# Eames® Soft Pad Side Chair

EA406  
EA408



## Product Information

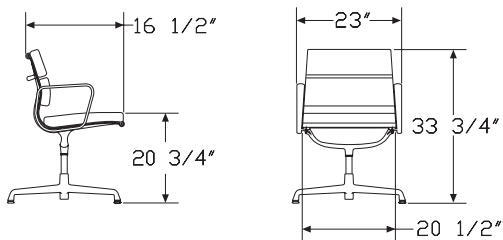
### Description

This low-back chair has a lightweight aluminum frame and 2"-thick upholstered foam cushions. It has a 4-star base with 1/2" (GD) glides for hard floors or carpet and fixed seat height. The chair is available with or without a swivel mechanism.

### Notes

Chair is tested and warranted for use by persons 300 pounds and under. For description of glides, see Casters and Glides in Appendices. Customer's Own Material (COM) requires 2 1/2 yards. Customer's Own Leather (COL) requires 45 square feet. See Order Information in Appendices.

## Dimensions



## Specification Information

### Step 1.

**EA40**  A

### Step 2. Arms

**6** no arms  A

**8** arms  A

### Step 3. Swivel

**S** swivel base  A

**F** fixed base, no swivel  A

### Prices for Steps 1-3.

<b>EA406 S</b>	\$2314
<b>F</b>	\$2397

<b>EA408 S</b>	\$2715
<b>F</b>	\$2796

### Step 4. Base/Frame Finish

<b>L</b>	polished aluminum <input type="checkbox"/> A	+\$0
<b>BK</b>	black <input type="checkbox"/> A	+\$87
<b>G2</b>	graphite satin <input type="checkbox"/> A	+\$87
<b>91</b>	white <input type="checkbox"/> A	+\$87

Eames® Soft Pad Side Chair *continued*

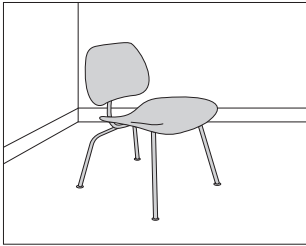
HermanMiller Collection—Side & Stacking Chairs

Step 5. Fabric	
Price Category 1	+\$0
Price Category 2	+\$70
Price Category 3	+\$152
Price Category (Geiger) 3	+\$152
Price Category 4	+\$234
Price Category 5	+\$282
Price Category 6	+\$300
Price Category 7 <span style="border: 1px solid black; padding: 0 2px;">A</span>	+\$288
Price Category (Geiger) 7	+\$288
Price Category 9	+\$574
Price Category (Geiger) 10	+\$649
Price Category 11	+\$768
Price Category B	+\$71
Price Category D	+\$140
Price Category E	+\$175
Price Category F	+\$230
Price Category G	+\$298
Price Category H	+\$363
Price Category I	+\$426
Price Category J	+\$490
Price Category K	+\$553
Price Category L	+\$617
Price Category M	+\$681
Price Category N	+\$744
Price Category P	+\$871
Price Category FF	+\$2973



Eames® Molded Plywood Dining  
Chair Metal Base

DCM.



**Product Information**

**Description**

This 29<sup>1</sup>/<sub>2</sub>"-high molded plywood chair has natural face veneers, hardwood inner plies, and a 5-ply seat and back. It has a 4-leg base and self-leveling nylon glides. When upholstered, the back and seat shells have exposed veneer on their backside.

**Notes**

Red stain (11) shell finish is on birch veneer. This stain allows the wood grain to show through; inner plies are visible. Natural variations in wood grain may affect the appearance of this stain color.

Ebony (EN) shell finish is stain on ash veneer; inner plies are not as visible.

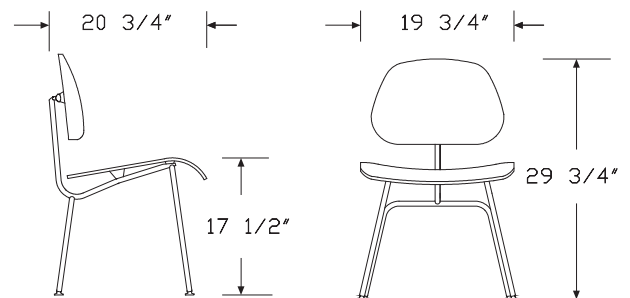
Black (BK) base finish has black glides. Trivalent chrome (47) base finish has white glides.

Santos palisander veneer is celebrated for its unique grain and color variations. Similar products ordered in multiples or dissimilar products ordered separately should be expected to have variation in both grain and color characteristics; no two products will look exactly alike.

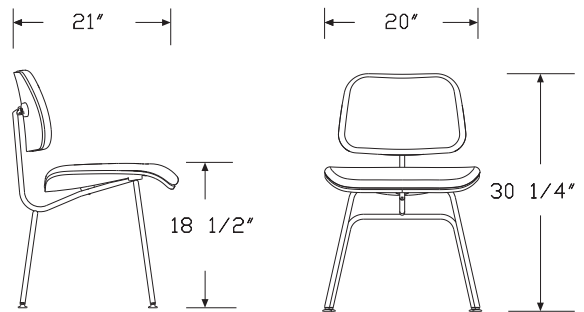
Avoid placement in direct sunlight.

Customer's Own Material (COM) requires 1 yard. Customer's Own Leather (COL), requires 18 square feet. See COM Information in Appendices for additional information.

**Dimensions**



nonupholstered



upholstered

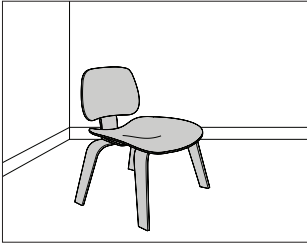
# Eames® Molded Plywood Dining Chair Metal Base *continued*

Specification Information		
Step 1.		
<b>DC</b>	<input type="checkbox"/> A	
Step 2. Upholstery		
<b>M.</b>	nonupholstered shell <input type="checkbox"/> A	
<b>M.U</b>	upholstered shell <input type="checkbox"/> A	
Prices for Steps 1-2.		
<b>DCM.</b>		\$766
<b>DCM.U</b>		\$1266
Step 3. Base Finish		
<b>BK</b>	black <input type="checkbox"/> A	+\$0
<b>47</b>	trivalent chrome <input type="checkbox"/> A	+\$20
Step 4. Shell Finish		
Wood Veneer		
<b>OU</b>	walnut <input type="checkbox"/> A	+\$0
<b>11</b>	red stain <input type="checkbox"/> A	+\$115
<b>A2</b>	white ash <input type="checkbox"/> A	+\$115
<b>EN</b>	ebony <input type="checkbox"/> A	+\$115
<b>9N</b>	santos palisander <input type="checkbox"/> A	+\$285

Step 5. Fabric	
<i>For upholstered shell (M.U)</i>	
Price Category 1	+\$0
Price Category 2	+\$29
Price Category 3	+\$55
Price Category (Geiger) 3	+\$55
Price Category 4	+\$83
Price Category (Geiger) 4	+\$83
Price Category 5	+\$98
Price Category (Geiger) 5	+\$87
Price Category 6	+\$0
Price Category 7	+\$175
Price Category (Geiger) 7	+\$175
Price Category 9	+\$340
Price Category 10	+\$377
Price Category (Geiger) 10	+\$377
Price Category 11	+\$411
Price Category 14	+\$493
Price Category D	+\$80
Price Category E	+\$116
Price Category F	+\$160
Price Category G	+\$272
Price Category H	+\$305
Price Category I	+\$341
Price Category J	+\$376
Price Category L	+\$462
Price Category K	+\$413
Price Category M	+\$519
Price Category N	+\$554
Price Category O	+\$589
Price Category P	+\$611
Price Category Q	+\$660
Price Category R	+\$711
Price Category FF	+\$1189

Eames® Molded Plywood Dining  
Chair Wood Base

DCW.



**Product Information**

**Description**

This 28<sup>3</sup>/<sub>4</sub>"-high molded plywood chair has natural face veneers, hardwood inner plies, a 5-ply seat and back, and 8-ply legs. When upholstered, the back and seat shells have exposed veneer on their backside.

**Notes**

Red stain (11) finish is on birch veneer. This stain allows the wood grain to show through; inner plies are visible. Natural variations in wood grain may affect the appearance of this stain color.

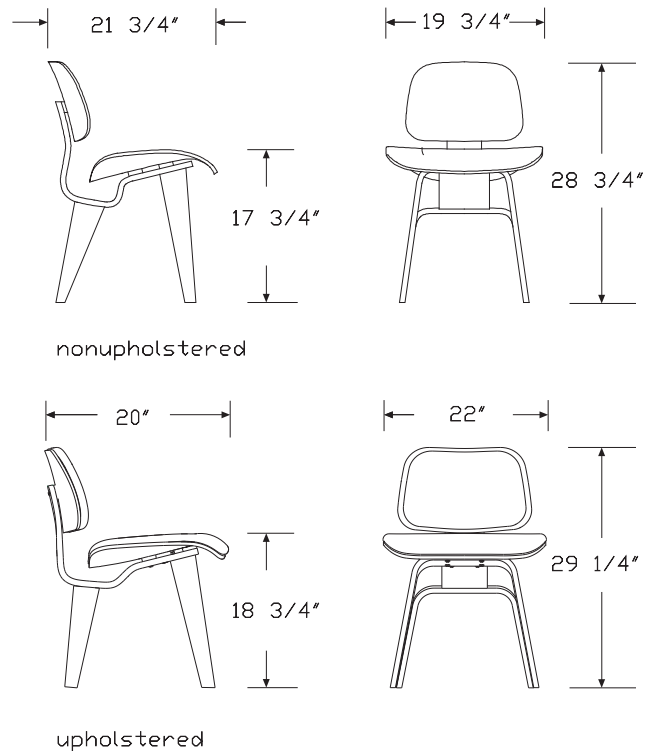
Ebony (EN) shell finish is stain on ash veneer; inner plies are not as visible.

Santos palisander veneer is celebrated for its unique grain and color variations. Similar products ordered in multiples or dissimilar products ordered separately should be expected to have variation in both grain and color characteristics; no two products will look exactly alike.

Avoid placement in direct sunlight.

Customer's Own Material (COM) requires 1 yard. Customer's Own Leather (COL), requires 18 square feet. See COM Information in Appendices for additional information.

**Dimensions**



# Eames® Molded Plywood Dining Chair Wood Base *continued*

## Specification Information

### Step 1.

**DC**  A

### Step 2. Upholstery

**W.** nonupholstered shell  A

**W.U** upholstered shell  A

### Prices for Steps 1-2.

**DCW.** \$1013

**DCW.U** \$1449

### Step 3. Finish

**OU** walnut  A +\$0

**11** red stain  A +\$154

**A2** white ash  A +\$154

**EN** ebony  A +\$154

**9N** santos palisander  A +\$575

## Step 4. Fabric

### For upholstered shell (W.U)

Price Category 1 +\$0

Price Category 2 +\$29

Price Category 3 +\$55

Price Category 4 +\$83

Price Category (Geiger) 4 +\$83

Price Category 5 +\$98

Price Category (Geiger) 5 +\$87

Price Category 6 +\$115

Price Category 7 +\$175

Price Category (Geiger) 7 +\$175

Price Category 9 +\$340

Price Category 10 +\$377

Price Category (Geiger) 10 +\$377

Price Category 11 +\$411

Price Category 14 +\$493

Price Category D +\$80

Price Category E +\$116

Price Category F +\$160

Price Category G +\$272

Price Category H +\$305

Price Category I +\$341

Price Category J +\$376

Price Category K +\$413

Price Category L +\$462

Price Category M +\$519

Price Category N +\$554

Price Category O +\$589

Price Category P +\$611

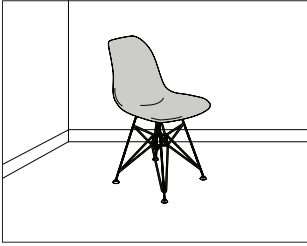
Price Category Q +\$660

Price Category R +\$711

Price Category FF +\$1189

# Eames® Molded Plastic Side Chair

DSR.  
DSS.  
DSW.  
DSX.



## Product Information

### Description

This chair has a single-piece nonupholstered shell with waterfall edges and molded plastic seat and flexible back. Base options include a wire base, a stacking/ganging base, a dowel base, or a 4-leg base. The dowel base has non-adjustable nylon glides. Standard glides can be ordered with or without felt. Ships assembled.

### Notes

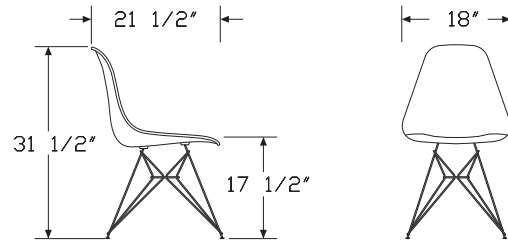
Ebony (EN) and walnut (OU) dowel legs are stained ash wood with black glides.

Natural maple (UL) and white ash (A2) dowel legs have white glides.

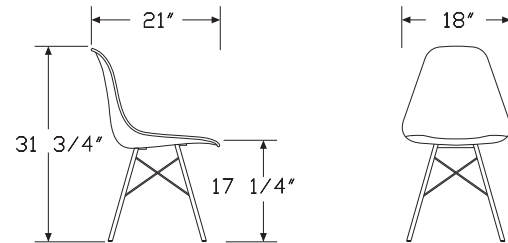
Dowel base has glide option to include felt bottom.

Stacking/ganging base chairs can stack up to 14 high. For ease of mobility, two types of dollies are available, but sold separately.

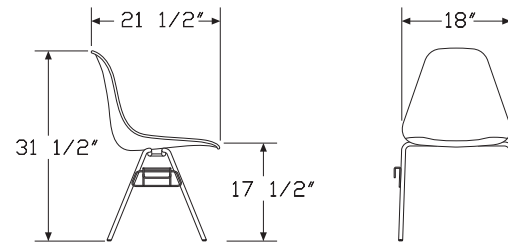
## Dimensions



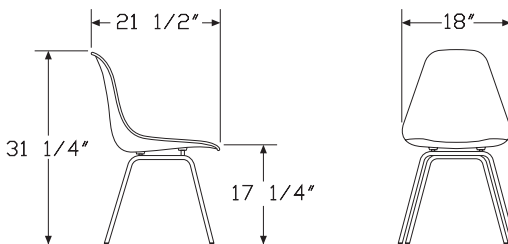
Wire Base



Dowel-Leg Base



Stacking/Ganging Base



4-Leg Base

# Eames® Molded Plastic Side Chair

continued

## Specification Information

### Step 1.

**DS**

### Step 2. Base Option

- R.** wire base with nonupholstered shell
- S.** stacking/ganging base with nonupholstered shell
- W.** dowel base with nonupholstered shell
- X.** 4-leg base with nonupholstered shell

### Prices for Steps 1-2.

<b>DSR.</b>	\$350
<b>DSS.</b>	\$385
<b>DSW.</b>	\$496
<b>DSX.</b>	\$340

### Step 3. Base Finish

*For wire base with nonupholstered shell (R.), dowel base with nonupholstered shell (W.), or 4-leg base with nonupholstered shell (X.)*

<b>91</b>	white <input type="checkbox"/>	+\$0
<b>BK</b>	black	+\$0
<b>47</b>	trivalent chrome	+\$20

*For stacking/ganging base with nonupholstered shell (S.)*

<b>47</b>	trivalent chrome	+\$20
-----------	------------------	-------

### Step 4. Dowel Finish

*For dowel base with nonupholstered shell (W.)*

<b>UL</b>	natural maple	+\$0
<b>A2</b>	white ash <input type="checkbox"/>	+\$30
<b>EN</b>	ebony	+\$30
<b>OU</b>	walnut	+\$30

### Step 5. Seat/Back Finish

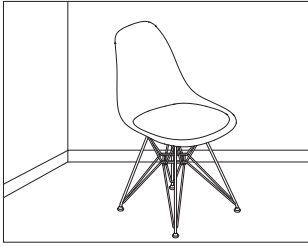
<b>4T</b>	aqua sky	+\$0
<b>5B</b>	java	+\$0
<b>9J</b>	sparrow	+\$0
<b>BLE</b>	blue ice	+\$0
<b>BLH</b>	blush	+\$0
<b>CHL</b>	charcoal	+\$0
<b>KGR</b>	kelly green	+\$0
<b>PBL</b>	peacock blue	+\$0
<b>PYW</b>	pale yellow	+\$0
<b>STN</b>	stone	+\$0
<b>ZA</b>	black	+\$0
<b>ZE</b>	red orange	+\$0
<b>ZF</b>	white	+\$0
<b>ZM</b>	alpine	+\$0

### Step 6. Glide Option

<b>E8</b>	standard glide	+\$0
<b>E9</b>	standard glide with felt bottom	+\$25

# Eames® Upholstered Molded Plastic Side Chair

DSR.  
DSW.  
DSX.



## Product Information

### Description

This side chair has a molded 1-piece construction with waterfall edges, molded plastic seat and flexible back. It has a fully upholstered shell or an attached upholstered seat pad. Seat pad is easily removable for cleaning or reupholstery. Base options include a wire base, dowel base, or 4-leg base. The dowel base has non-adjustable nylon glides. Standard glides can be ordered with or without felt. Ships assembled.

### Notes

Ebony (EN) and walnut (OU) dowel legs are stained ash wood with black glides.

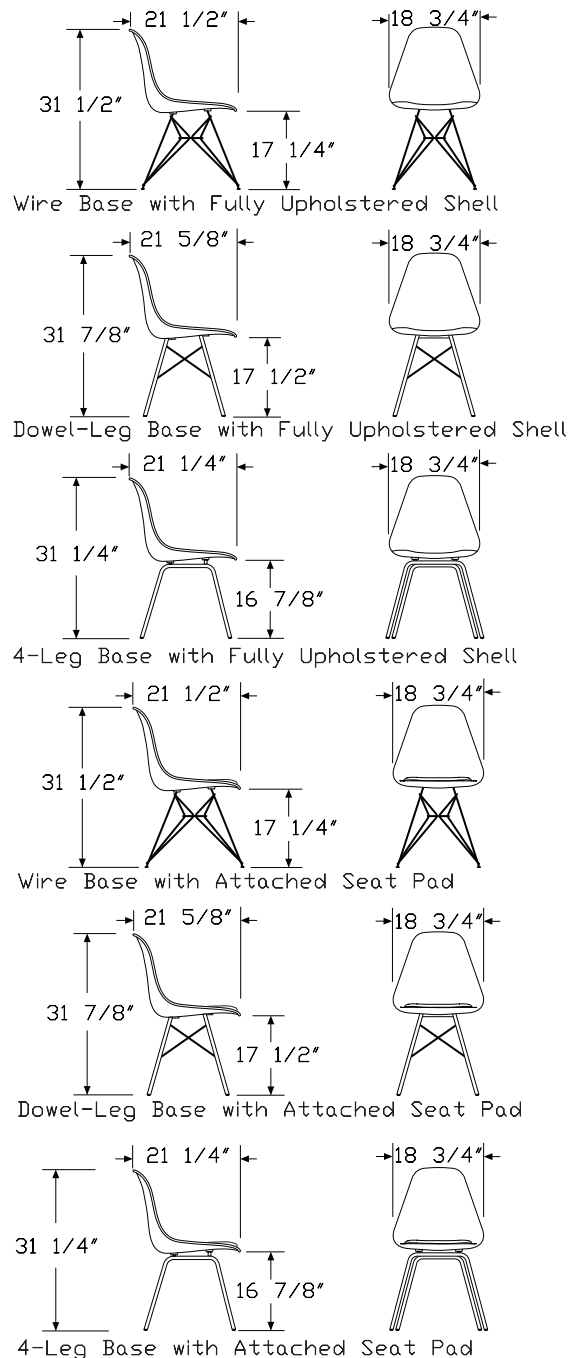
Natural maple (UL) and white ash (A2) dowel legs have white glides.

Dowel base has glide option to include felt bottom.

Seat pad is upholstered with textiles or leather for indoor use only.

For upholstered seat pad (P), Customer's Own Material (COM) requires 1 yard. Customer's Own Leather (COL) requires 9 square feet. See Order Information in appendices.

## Dimensions



# Eames® Upholstered Molded Plastic Side Chair *continued*

Specification Information	
Step 1.	
<b>DS</b>	A
Step 2. Base	
<b>R.</b>	wire leg A
<b>W.</b>	dowel base A
<b>X.</b>	4-leg base A
Step 3. Upholstery	
<b>P</b>	upholstered seat pad A
<b>U</b>	fully upholstered shell A
Prices for Steps 1-3.	
<b>DSR. P</b>	\$420
<b>U</b>	\$460
<b>DSW. P</b>	\$566
<b>U</b>	\$606
<b>DSX. P</b>	\$410
<b>U</b>	\$450
Step 4. Base Finish	
<b>91</b>	white A +\$0
<b>BK</b>	black A +\$0
<b>47</b>	trivalent chrome A +\$20
Step 5. Dowel Finish	
<i>For dowel base (W.)</i>	
<b>A2</b>	white ash A +\$0
<b>EN</b>	ebony A +\$0
<b>EN</b>	ebony A +\$30
<b>OU</b>	walnut A +\$0
<b>OU</b>	walnut A +\$30
<b>UL</b>	natural maple A +\$0

Step 6. Back Finish	
<b>4T</b>	aqua sky A +\$0
<b>5B</b>	java A +\$0
<b>9J</b>	sparrow A +\$0
<b>BLE</b>	blue ice +\$0
<b>BLH</b>	blush +\$0
<b>CHL</b>	charcoal +\$0
<b>KGR</b>	kelly green +\$0
<b>PBL</b>	peacock blue +\$0
<b>PYW</b>	pale yellow +\$0
<b>STN</b>	stone +\$0
<b>ZA</b>	black A +\$0
<b>ZE</b>	red orange A +\$0
<b>ZF</b>	white A +\$0
<b>ZM</b>	alpine +\$0

Step 7. Edge Finish	
<i>For fully upholstered shell (U)</i>	
<b>111</b>	parchment A +\$0
<b>BK</b>	black A +\$0
<b>ZF</b>	white A +\$0

Step 8. Upholstery	
<i>For fully upholstered shell (U)</i>	
Price Category 2	+\$25
Price Category 5	+\$35
Price Category B	+\$45
Price Category G	+\$212
Price Category H	+\$212
Price Category K	+\$380

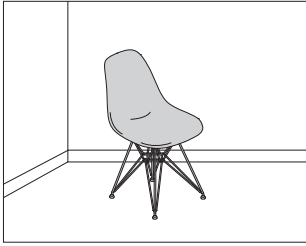
For upholstered seat pad (P)	
Price Category 1 A	+\$0
Price Category 2	+\$25
Price Category 4	+\$33
Price Category 5	+\$35
Price Category 9	+\$209
Price Category 11	+\$254
Price Category G	+\$170
Price Category H	+\$210
Price Category K	+\$380

Step 9. Glide Option	
<b>E8</b>	standard glide +\$0
<b>E9</b>	standard glide with felt bottom +\$25



# Eames® Molded Fiberglass Side Chair

DFSR.  
DFSS.  
DFSW.  
DFSX.



## Product Information

### Description

This chair has a single-piece nonupholstered shell with waterfall edges and molded fiberglass seat and flexible back. Base options include a wire base, stacking/ganging base, dowel base, or a 4-leg base. The dowel base has non-adjustable nylon glides. Standard glides can be ordered with or without felt. Ships assembled.

### Notes

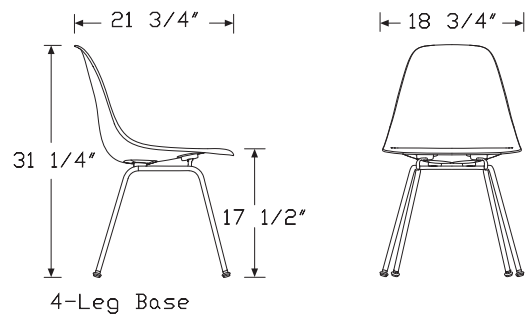
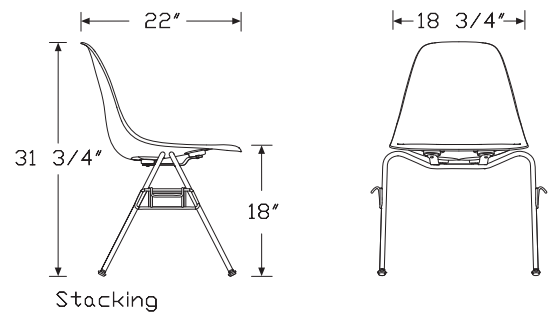
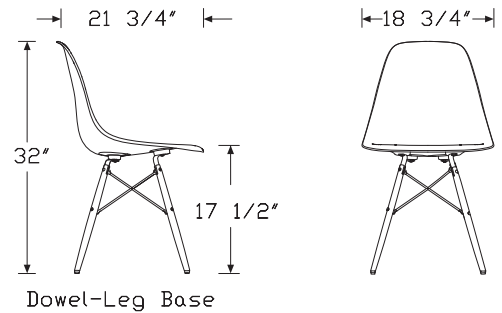
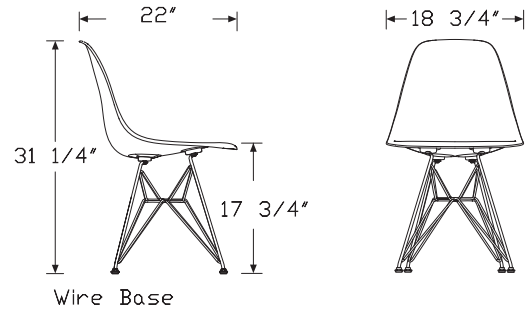
Ebony (EN) and walnut (OU) dowel legs are stained ash wood with black glides.

Natural maple (UL) and white ash (A2) dowel legs have white glides.

Dowel base has glide option to include felt bottom.

Stacking base chairs can stack up to 14 high. For ease of mobility, two types of dollies are available, but sold separately.

## Dimensions



# Eames® Molded Fiberglass Side Chair *continued*

## Specification Information

### Step 1.

**DFS**

### Step 2. Base Option

- R.** wire base with nonupholstered shell
- S.** stacking/ganging base with nonupholstered shell
- W.** dowel base with nonupholstered shell
- X.** 4-leg base with nonupholstered shell

### Prices for Steps 1-2.

<b>DFSR.</b>	\$512
<b>DFSS.</b>	\$547
<b>DFSW.</b>	\$658
<b>DFSX.</b>	\$502

### Step 3. Base Finish

*For wire base with nonupholstered shell (R.), dowel base with nonupholstered shell (W.), or 4-leg base with nonupholstered shell (X.)*

<b>91</b>	white	+\$0
<b>BK</b>	black	+\$0
<b>47</b>	trivalent chrome	+\$20

*For stacking/ganging base with nonupholstered shell (S.)*

<b>47</b>	trivalent chrome	+\$20
-----------	------------------	-------

### Step 4. Dowel Finish

*For dowel base with nonupholstered shell (W.)*

<b>UL</b>	natural maple	+\$0
<b>A2</b>	white ash	+\$30
<b>EN</b>	ebony	+\$30
<b>OU</b>	walnut	+\$30

### Step 5. Seat/Back Finish

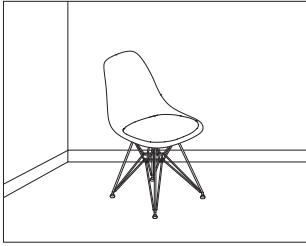
<b>111</b>	parchment	+\$50
<b>112</b>	elephant hide grey	+\$0
<b>113</b>	ultramarine blue	+\$0
<b>114</b>	red orange	+\$50
<b>115</b>	lemon yellow	+\$50
<b>116</b>	green	+\$0
<b>117</b>	navy blue	+\$0
<b>118</b>	black	+\$0
<b>119</b>	seal brown	+\$0

### Step 6. Glide Option

<b>E8</b>	standard glide	+\$0
<b>E9</b>	standard glide with felt bottom	+\$25

# Eames® Upholstered Molded Fiberglass Side Chair

DFSR.  
DFSW.  
DFSX.



## Product Information

### Description

This side chair has a molded 1-piece construction with waterfall edges, molded fiberglass seat and flexible back. It has a fully upholstered shell or an attached upholstered seat pad. Seat pad is easily removable for cleaning or reupholstery. Base options include a wire base, dowel base, or 4-leg base. The dowel base has non-adjustable nylon glides. Standard glides can be ordered with or without felt. Ships assembled.

### Notes

Ebony (EN) and walnut (OU) dowel legs are stained ash wood with black glides.

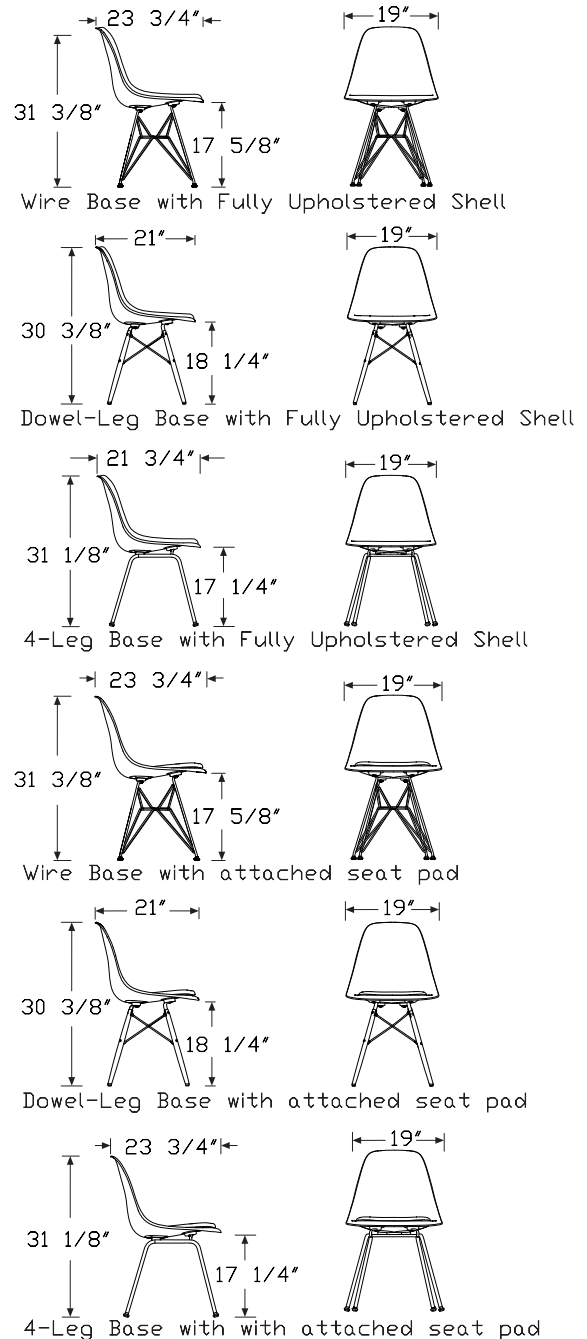
Natural maple (UL) and white ash (A2) dowel legs have white glides.

Dowel base has glide option to include felt bottom.

Seat pad is upholstered with textiles or leather for indoor use only.

For upholstered seat pad (P), Customer's Own Material (COM) requires 1 yard. Customer's Own Leather (COL) requires 9 square feet. See Order Information in appendices.

## Dimensions



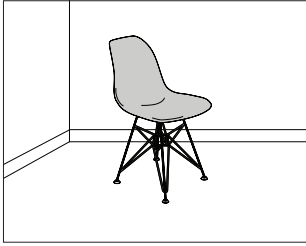
# Eames® Upholstered Molded Fiberglass Side Chair *continued*

Specification Information	
Step 1.	
<b>DFS</b>	<input type="checkbox"/> A
Step 2. Base	
<b>R.</b>	wire leg <input type="checkbox"/> A
<b>W.</b>	dowel base <input type="checkbox"/> A
<b>X.</b>	4-leg base <input type="checkbox"/> A
Step 3. Upholstery	
<b>U</b>	fully upholstered shell <input type="checkbox"/> A
<b>P</b>	upholstered seat pad <input type="checkbox"/> A
Prices for Steps 1-3.	
<b>DFSR. U</b>	\$622
<b>P</b>	\$582
<b>DFSW. U</b>	\$768
<b>P</b>	\$728
<b>DFSX. U</b>	\$612
<b>P</b>	\$572
Step 4. Base Finish	
<b>91</b>	white <input type="checkbox"/> A +\$0
<b>BK</b>	black <input type="checkbox"/> A +\$0
<b>47</b>	trivalent chrome <input type="checkbox"/> A +\$20
Step 5. Dowel Finish	
<i>For dowel base (W.)</i>	
<b>UL</b>	natural maple <input type="checkbox"/> A +\$0
<b>A2</b>	white ash <input type="checkbox"/> A +\$0
<b>A2</b>	white ash <input type="checkbox"/> A +\$30
<b>EN</b>	ebony <input type="checkbox"/> A +\$30
<b>OU</b>	walnut <input type="checkbox"/> A +\$30
Step 6. Back Finish	
<b>111</b>	parchment <input type="checkbox"/> A +\$50
<b>112</b>	elephant hide grey <input type="checkbox"/> A +\$0
<b>113</b>	ultramarine blue <input type="checkbox"/> A +\$0
<b>114</b>	red orange <input type="checkbox"/> A +\$50
<b>115</b>	lemon yellow <input type="checkbox"/> A +\$50
<b>116</b>	green <input type="checkbox"/> A +\$0
<b>117</b>	navy blue <input type="checkbox"/> A +\$0
<b>118</b>	black <input type="checkbox"/> A +\$0
<b>119</b>	seal brown <input type="checkbox"/> A +\$0

Step 7. Edge Finish	
<i>For fully upholstered shell (U)</i>	
<b>ZF</b>	white <input type="checkbox"/> A +\$0
<b>111</b>	parchment <input type="checkbox"/> A +\$0
<b>BK</b>	black <input type="checkbox"/> A +\$0
Step 8. Upholstery	
<i>For fully upholstered shell (U)</i>	
Price Category 2	+\$25
Price Category 5	+\$35
Price Category B	+\$45
Price Category G	+\$212
Price Category H	+\$212
Price Category K	+\$380
<i>For upholstered seat pad (P)</i>	
Price Category 1 <input type="checkbox"/> A	+\$0
Price Category 2	+\$25
Price Category 4	+\$33
Price Category 5	+\$35
Price Category 9	+\$209
Price Category 11	+\$254
Price Category G	+\$170
Price Category H	+\$210
Price Category K	+\$380
Step 9. Glide Option	
<b>E8</b>	standard glide <input type="checkbox"/> A +\$0
<b>E9</b>	standard glide with felt bottom <input type="checkbox"/> A +\$25

# Eames® Molded Wood Side Chair

DWSR.  
DWSW.  
DWSX.



## Product Information

### Description

This side chair has a molded one-piece construction with waterfall edges, and measures .260" in thickness. Base is attached by non-removable wooden shock mounts. Base options include a wire base, 4-leg base, or a dowel-leg base. The dowel-leg base has non-adjustable nylon glides.

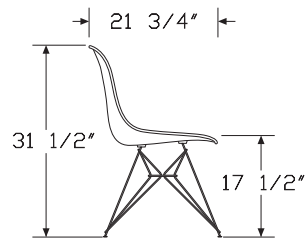
### Notes

Ebony (EN) and walnut (OU) dowel legs are stained ash wood with black glides.

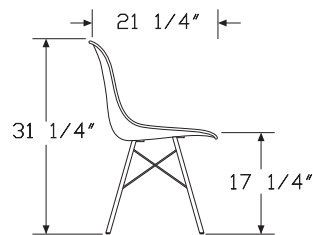
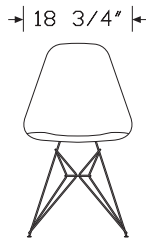
Natural maple (UL) and white ash (A2) dowel legs have white glides.

Dowel base has glide option to include felt bottom.

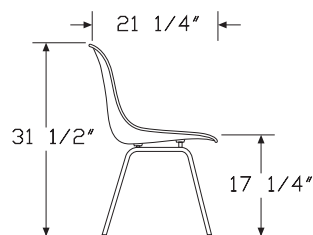
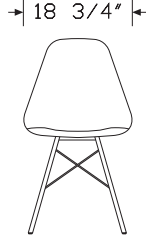
## Dimensions



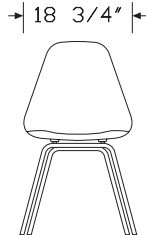
Wire Base



Dowel-Leg Base



4-Leg Base



## Specification Information

### Step 1.

**DWS**  A

### Step 2. Base Option

**R.** wire base

**W.** dowel base  A

**X.** 4-leg base  A

### Prices for Steps 1-2.

<b>DWSR.</b>	\$738
<b>DWSW.</b>	\$884
<b>DWSX.</b>	\$728

### Step 3. Base Finish

**91** white  A +\$0

**BK** black +\$0

**47** trivalent chrome +\$20

### Step 4. Dowel Finish

*For dowel base (W.)*

**UL** natural maple  A +\$0

**A2** white ash  A +\$30

**EN** ebony  A +\$30

**OU** walnut +\$30

### Step 5. Seat/Back Finish

**EN** ebony  A +\$116

**OU** walnut  A +\$0

**A2** white ash  A +\$116

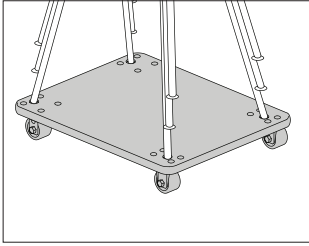
**9N** santos palisander +\$289

### Step 6. Glide Option

**E8** standard glide +\$0

**E9** standard glide with felt bottom +\$25

Eames® Side Chair Stacking Base DOLLY.  
Dolly



Herman Miller Collection—Side & Stacking Chairs

**Product Information**

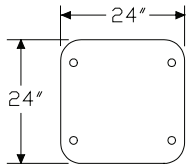
**Description**

This chair dolly stores and transports up to 28 Eames® plastic side chairs with the stacking/ganging base option. It is made of plywood and has 2 locking and 2 non-locking casters.

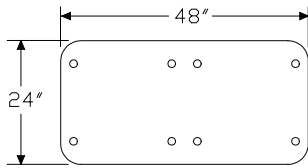
**Notes**

Single dolly supports 1 stack of 14 chairs. Double dolly supports 2 stacks of 14 chairs.

**Dimensions**



A (Single)



B (Double)

**Specification Information**

**Step 1.**

**DOLLY.**

**Step 2. Type**

**A** single

**B** double

**Prices for Steps 1-2.**

<b>DOLLY. A</b>	\$473
<b>B</b>	\$552

Eames® Wire Chair

DKR.  
DKW.  
DKX.

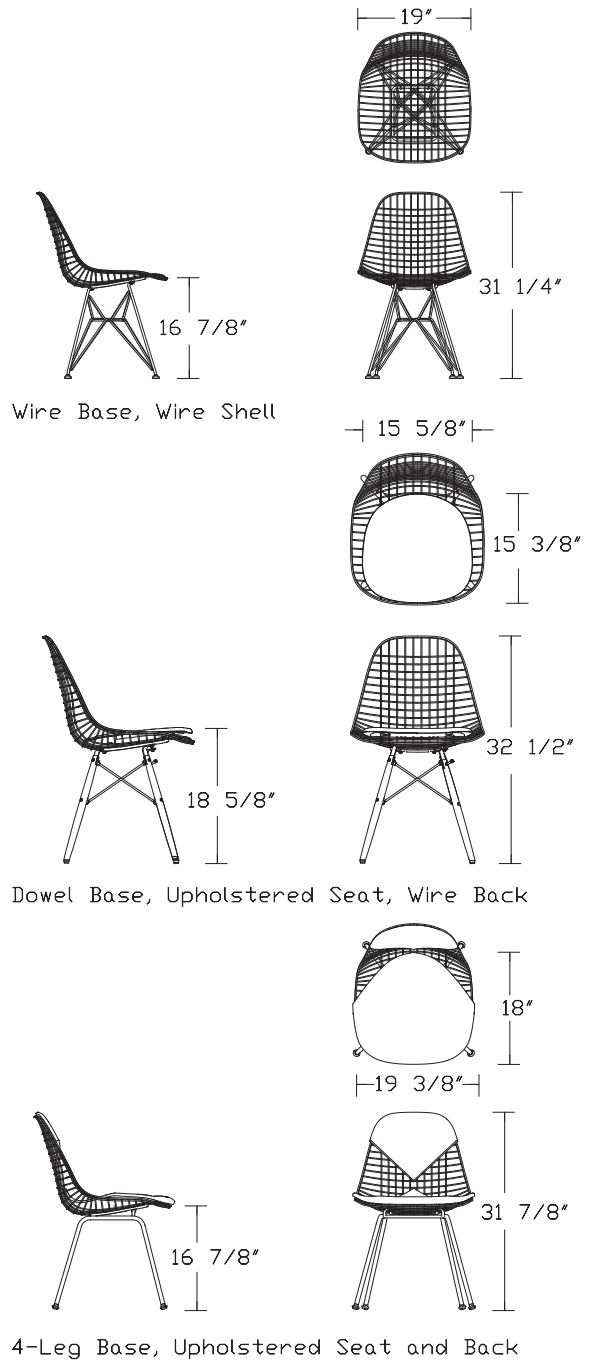


**Product Information**

**Description**

This chair has a wire shell, a wire shell with upholstered seat and back, or a wire shell with upholstered seat and wire back. Wire shell and metal bases are available in trivalent chrome, white or black. Dowel base is available in several finishes. Chair comes with standard indoor glides with or without felt. Suitable for indoor use only.

**Dimensions**



**Specification Information**

Step 1.

**DK**  A

Step 2. Base

**R.** wire leg  A

**X.** 4-leg base  A

**W.** dowel base  A

Step 3. Seat/Back Material

**0** wire shell

**2** wire shell/upholstered seat/back

**5** wire shell/upholstered seat/wire back

Prices for Steps 1-3.

<b>DKR.</b>	<b>0</b>	\$749
	<b>2</b>	\$749
	<b>5</b>	\$749

<b>DKX.</b>	<b>0</b>	\$739
	<b>2</b>	\$1125
	<b>5</b>	\$850

<b>DKW.</b>	<b>0</b>	\$950
	<b>2</b>	\$1436
	<b>5</b>	\$1061

Step 4. Seat Frame/Leg Finish

**47** trivalent chrome +\$20

**91** white +\$0

**BK** black +\$0

Step 5. Dowel Finish

*For dowel base (W.)*

**UL** natural maple  A +\$0

**A2** white ash  A +\$30

**EN** ebony  A +\$30

**OU** walnut  A +\$30

Step 6. Upholstery

*For wire shell/upholstered seat/back (2)*

Price Category 9 +\$209

Price Category 11 +\$254

*For wire shell/upholstered seat/wire back (5)*

Price Category 1  A +\$0

Price Category 2 +\$25

Price Category 4 +\$33

Price Category 5 +\$35

Price Category 9 +\$209

Price Category 11 +\$254

Price Category G +\$170

Price Category H +\$210

Price Category K +\$380

Step 7. Glide Option

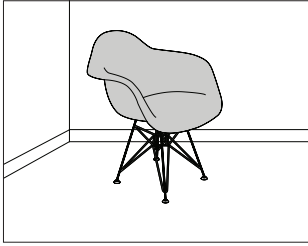
**E8** standard glide  A +\$0

**E9** standard glide with felt bottom  A +\$25



# Eames® Molded Plastic Armchair

DAR.  
DAW.  
DAX.



## Product Information

### Description

This chair has a single-piece shell with waterfall edges and molded back, seat and arms. Base options include a wire base, dowel base, or a 4-leg base. The dowel base has non-adjustable nylon glides.

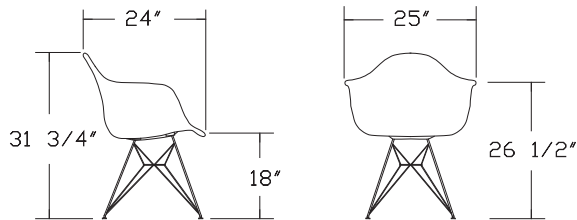
### Notes

Ebony (EN) and walnut (OU) dowel legs are stained ash wood with black glides.

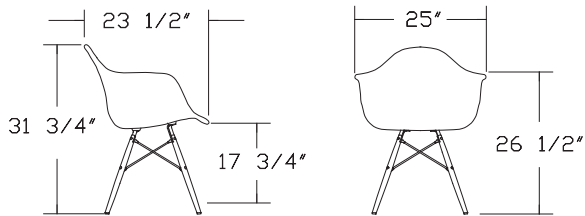
Natural maple (UL) and white ash (A2) dowel legs have white glides.

Dowel base has glide option to include felt bottom.

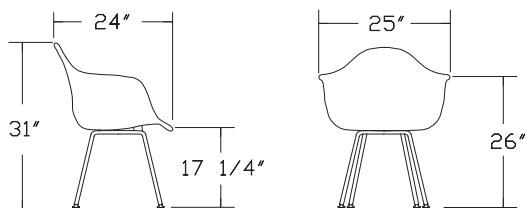
### Dimensions



Wire Base



Dowel-Leg Base



4-Leg Base

## Specification Information

### Step 1.

**DA**

### Step 2. Base Option

- R.** wire base with nonupholstered shell
- W.** dowel base with nonupholstered shell
- X.** 4-leg base with nonupholstered shell

### Prices for Steps 1-2.

<b>DAR.</b>	\$490
<b>DAW.</b>	\$636
<b>DAX.</b>	\$480

### Step 3. Base Finish

<b>91</b>	white <span style="border: 1px solid black; padding: 0 2px;">A</span>	+\$0
<b>BK</b>	black	+\$0
<b>47</b>	trivalent chrome	+\$20

### Step 4. Dowel Finish

*For dowel base with nonupholstered shell (W.)*

<b>UL</b>	natural maple	+\$0
<b>A2</b>	white ash <span style="border: 1px solid black; padding: 0 2px;">A</span>	+\$30
<b>EN</b>	ebony	+\$30
<b>OU</b>	walnut	+\$30

### Step 5. Seat/Back Finish

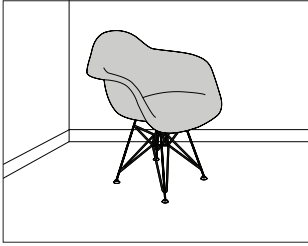
<b>4T</b>	aqua sky	+\$0
<b>5B</b>	java	+\$0
<b>9J</b>	sparrow	+\$0
<b>BLE</b>	blue ice	+\$0
<b>BLH</b>	blush	+\$0
<b>CHL</b>	charcoal	+\$0
<b>KGR</b>	kelly green	+\$0
<b>PBL</b>	peacock blue	+\$0
<b>PYW</b>	pale yellow	+\$0
<b>STN</b>	stone	+\$0
<b>ZA</b>	black	+\$0
<b>ZE</b>	red orange	+\$0
<b>ZF</b>	white	+\$0
<b>ZM</b>	alpine	+\$0

### Step 6. Glide Option

<b>E8</b>	standard glide	+\$0
<b>E9</b>	standard glide with felt bottom	+\$25

# Eames® Upholstered Molded Plastic Armchair

DAR.  
DAW.  
DAX.



HermanMiller Collection—Side & Stacking Chairs

## Product Information

### Description

This chair has a single-piece molded plastic shell with waterfall edges and upholstered back, seat and arms or an upholstered seat pad. Base options include a wire base, dowel base, or a 4-leg base. The dowel base has non-adjustable nylon glides. Standard glides can be ordered with or without felt. Ships assembled.

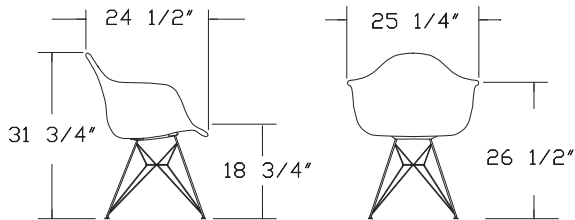
### Notes

Ebony (EN) and walnut (OU) dowel legs are stained ash wood with black glides.

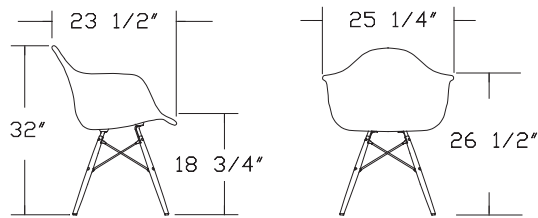
Natural maple (UL) and white ash (A2) dowel legs have white glides.

Dowel base has glide option to include felt bottom.

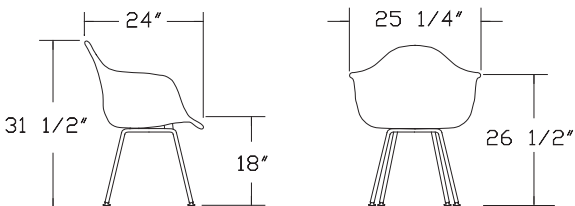
### Dimensions



Wire Base



Dowel-Leg Base



4-Leg Base

## Specification Information

### Step 1.

DA  A

### Step 2. Base Option

R. wire base

W. dowel base

X. 4-leg base

### Step 3. Upholstery

P upholstered seat pad  A

U fully upholstered shell  A

### Prices for Steps 1-3.

<b>DAR.</b>	<b>P</b>	\$560
	<b>U</b>	\$600

<b>DAW.</b>	<b>P</b>	\$706
	<b>U</b>	\$746

<b>DAX.</b>	<b>P</b>	\$550
	<b>U</b>	\$590

### Step 4. Base Finish

<b>91</b>	white <input type="checkbox"/> A	+\$0
<b>BK</b>	black <input type="checkbox"/> A	+\$0
<b>47</b>	trivalent chrome <input type="checkbox"/> A	+\$20

### Step 5. Dowel Finish

#### For dowel base (W.)

<b>UL</b>	natural maple <input type="checkbox"/> A	+\$0
<b>A2</b>	white ash <input type="checkbox"/> A	+\$30
<b>EN</b>	ebony <input type="checkbox"/> A	+\$30
<b>OU</b>	walnut <input type="checkbox"/> A	+\$30

# Eames® Upholstered Molded Plastic Armchair *continued*

## Step 6. Back Finish

<b>4T</b>	aqua sky <input type="checkbox"/> A	+\$0
<b>5B</b>	java <input type="checkbox"/> A	+\$0
<b>9J</b>	sparrow <input type="checkbox"/> A	+\$0
<b>ZA</b>	black <input type="checkbox"/> A	+\$0
<b>ZE</b>	red orange <input type="checkbox"/> A	+\$0
<b>ZF</b>	white <input type="checkbox"/> A	+\$0
<b>ZM</b>	alpine	+\$0
<b>PYW</b>	pale yellow	+\$0
<b>BLE</b>	blue ice	+\$0
<b>BLH</b>	blush	+\$0
<b>PBL</b>	peacock blue	+\$0
<b>STN</b>	stone	+\$0
<b>KGR</b>	kelly green	+\$0
<b>CHL</b>	charcoal	+\$0

## Step 7. Edge Finish

<b>111</b>	parchment <input type="checkbox"/> A	+\$0
<b>BK</b>	black <input type="checkbox"/> A	+\$0
<b>ZF</b>	white <input type="checkbox"/> A	+\$0

## Step 8. Fabric

### *For fully upholstered shell (U)*

Price Category 2	+\$35
Price Category 5	+\$45
Price Category B	+\$45
Price Category H	+\$212
Price Category K	+\$380

### *For upholstered seat pad (P)*

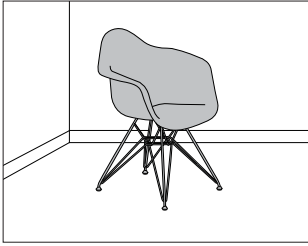
Price Category 1 <input type="checkbox"/> A	+\$0
Price Category 2	+\$25
Price Category 4	+\$33
Price Category 5	+\$59
Price Category 9	+\$209
Price Category 11	+\$254
Price Category G	+\$170
Price Category H	+\$210
Price Category K	+\$380

## Step 9. Glide Option

<b>E8</b>	standard glide	+\$0
<b>E9</b>	standard glide with felt bottom	+\$25

Eames® Molded Fiberglass  
Armchair

DFAR.  
DFAW.  
DFAX.



HermanMiller Collection—Side & Stacking Chairs

**Product Information**

**Description**

This chair has a single-piece nonupholstered shell with waterfall edges and molded fiberglass back, seat and arms. Base options include a wire base, dowel base, or a 4-leg base. The dowel base has nonadjustable nylon glides. Standard glides can be ordered with or without felt. Ships assembled.

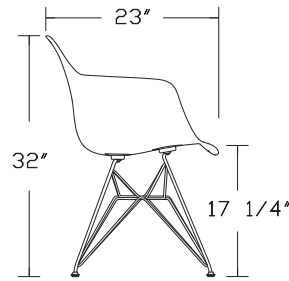
**Notes**

Ebony (EN) and walnut (OU) dowel legs are stained ash wood with black glides.

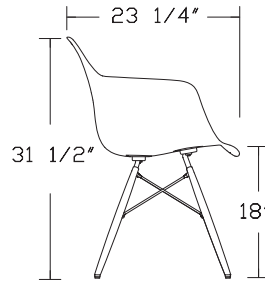
Natural maple (UL) and white ash (A2) dowel legs have white glides.

Dowel base has glide option to include felt bottom.

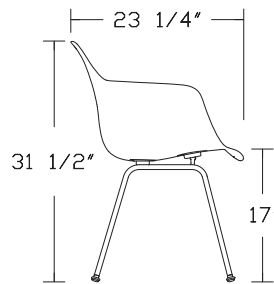
**Dimensions**



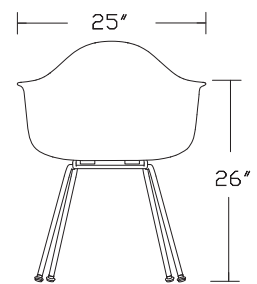
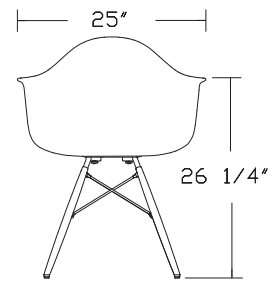
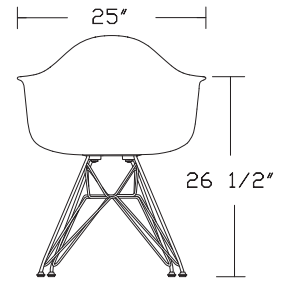
Wire Base



Dowel-Leg Base



4-Leg Base



# Eames® Molded Fiberglass Armchair *continued*

## Specification Information

### Step 1.

**DFA**

### Step 2. Base Option

- R.** wire base with nonupholstered shell
- W.** dowel base with nonupholstered shell
- X.** 4-leg base with nonupholstered shell

### Prices for Steps 1-2.

<b>DFAR.</b>	\$605
<b>DFAW.</b>	\$751
<b>DFAX.</b>	\$595

### Step 3. Base Finish

<b>91</b>	white	+\$0
<b>BK</b>	black	+\$0
<b>47</b>	trivalent chrome	+\$20

### Step 4. Dowel Finish

*For dowel base with nonupholstered shell (W.)*

<b>UL</b>	natural maple	+\$0
<b>A2</b>	white ash	+\$30
<b>EN</b>	ebony	+\$30
<b>OU</b>	walnut	+\$30

### Step 5. Seat/Back Finish

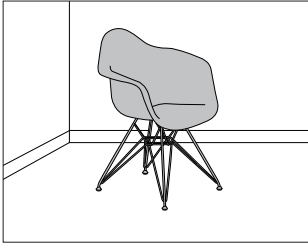
<b>111</b>	parchment	+\$50
<b>112</b>	elephant hide grey	+\$0
<b>113</b>	ultramarine blue	+\$0
<b>114</b>	red orange	+\$50
<b>115</b>	lemon yellow	+\$50
<b>116</b>	green	+\$0
<b>117</b>	navy blue	+\$0
<b>118</b>	black	+\$0
<b>119</b>	seal brown	+\$0

### Step 6. Glide Option

<b>E8</b>	standard glide	+\$0
<b>E9</b>	standard glide with felt bottom	+\$25

Eames® Upholstered Molded  
Fiberglass Armchair

DFAR.  
DFAW.  
DFAX.



HermanMiller Collection—Side & Stacking Chairs

**Product Information**

**Description**

This chair has a single-piece molded fiberglass shell with waterfall edges and upholstered back, seat and arms or an upholstered seat pad. Base options include a wire base, dowel base, or 4-leg base. The dowel base has nonadjustable nylon glides. Standard glides can be ordered with or without felt. Ships assembled.

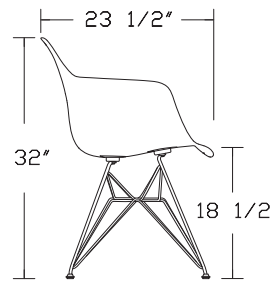
**Notes**

Ebony (EN) and walnut (OU) dowel legs are stained ash wood with black glides.

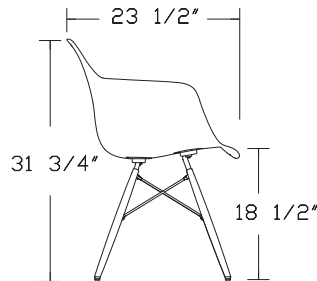
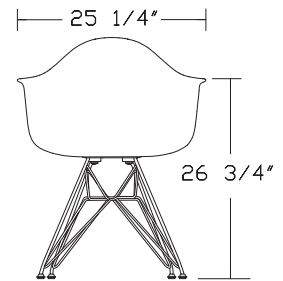
Natural maple (UL) and white ash (A2) dowel legs have white glides.

Dowel base has glide option to include felt bottom.

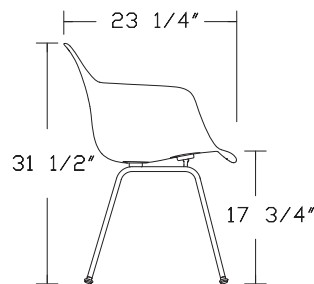
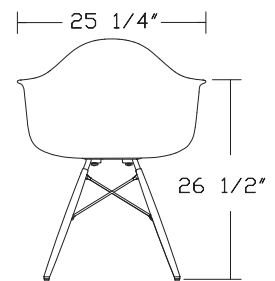
**Dimensions**



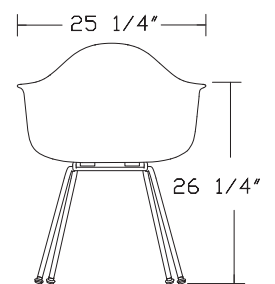
Wire Base



Dowel-Leg Base



4-Leg Base



# Eames® Upholstered Molded Fiberglass Armchair *continued*

## Specification Information

### Step 1.

**DFA** A

### Step 2. Base and Upholstery Option

**R.** wire base A

**W.** dowel base A

**X.** 4-leg base A

### Step 3. Upholstery

**U** fully upholstered shell A

**P** upholstered seat pad A

### Prices for Steps 1-3.

<b>DFAR. U</b>		\$715
<b>P</b>		\$675

<b>DFAW. U</b>		\$861
<b>P</b>		\$821

<b>DFAX. U</b>		\$705
<b>P</b>		\$665

### Step 4. Base Finish

**91** white A +\$0

**BK** black A +\$0

**47** trivalent chrome A +\$20

### Step 5. Dowel Finish

#### For dowel base (W.)

**UL** natural maple A +\$0

**A2** white ash A +\$30

**EN** ebony A +\$30

**OU** walnut A +\$30

### Step 6. Back Finish

**111** parchment A +\$50

**112** elephant hide grey A +\$0

**113** ultramarine blue A +\$0

**114** red orange A +\$50

**115** lemon yellow A +\$50

**116** green A +\$0

**117** navy blue A +\$0

**118** black A +\$0

**119** seal brown A +\$0

### Step 7. Edge Finish

**111** parchment A +\$0

**BK** black A +\$0

**ZF** white A +\$0

### Step 8. Fabric

#### For fully upholstered shell (U)

Price Category 2 +\$35

Price Category 5 +\$45

Price Category B +\$45

Price Category H +\$212

Price Category K +\$380

#### For upholstered seat pad (P)

Price Category 1 A +\$0

Price Category 2 +\$25

Price Category 4 +\$33

Price Category 5 +\$59

Price Category 9 +\$209

Price Category 11 +\$254

Price Category G +\$170

Price Category H +\$210

Price Category K +\$380

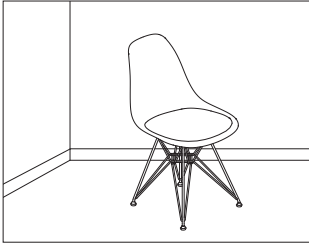
### Step 9. Glide Option

**E8** standard glide A +\$0

**E9** standard glide with felt bottom A +\$25

Eames® Upholstered Molded Wood Side Chair

DWSR.  
DWSW.  
DWSX.



HermanMiller Collection—Side & Stacking Chairs

**Product Information**

**Description**

This side chair has a molded one-piece construction with waterfall edges, and measures .260" in thickness. It comes with an attached upholstered seat pad that is easily removable for cleaning or reupholstery. Base is attached by non-removable wooden shock mounts. Base options include a wire base, 4-leg base, or a dowel-leg base. The dowel-leg base has non-adjustable nylon glides.

**Notes**

Ebony (EN) and walnut (OU) dowel legs are stained ash wood with black glides.

Natural maple (UL) and white ash (A2) dowel legs have white glides.

Dowel base has glide option to include felt bottom.

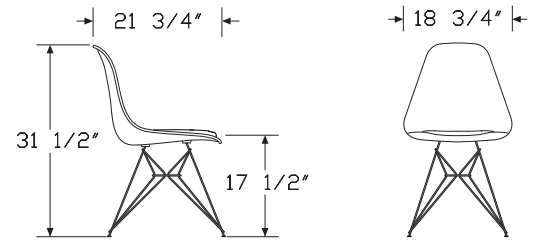
Seat pad is upholstered with textiles or leather for indoor use only.

Customer's Own Material (COM) requires 1 yard. Customer's Own

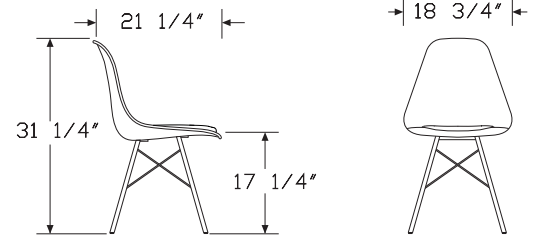
Leather (COL) requires 9 square feet. See Order Information in

appendices.

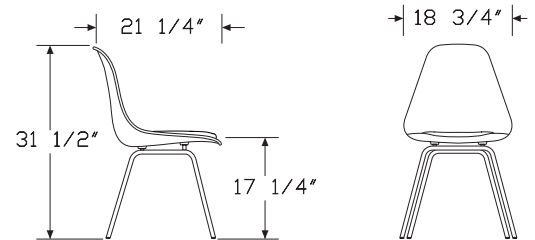
**Dimensions**



Wire Base



Dowel-Leg Base



4-Leg Base



# Eames® Upholstered Molded Wood Side Chair *continued*

## Specification Information

### Step 1.

**DWS**  A

### Step 2. Base Option

**R.** wire base

**W.** dowel base  A

**X.** 4-leg base  A

### Step 3. Upholstery

**P** upholstered seat pad  A

### Prices for Steps 1-3.

**DWSR. P** \$808

**DWSW. P** \$954

**DWSX. P** \$798

### Step 4. Base Finish

**91** white  A +\$0

**BK** black +\$0

**47** trivalent chrome +\$20

### Step 5. Dowel Finish

*For dowel base (W.)*

**UL** natural maple  A +\$0

**A2** white ash  A +\$0

**EN** ebony  A +\$30

**OU** walnut +\$30

### Step 6. Seat/Back Finish

**EN** ebony  A +\$116

**OU** walnut  A +\$0

**A2** white ash  A +\$116

**9N** santos palisander +\$289

### Step 7. Upholstery

Price Category 1  A +\$0

Price Category 2 +\$25

Price Category 4 +\$33

Price Category 5 +\$35

Price Category 9 +\$209

Price Category 11 +\$254

Price Category G +\$170

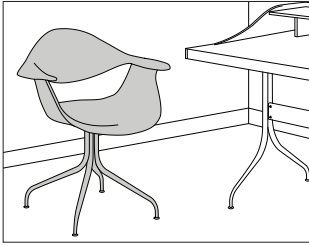
Price Category H +\$210

Price Category K +\$380

### Step 8. Glide Option

**E8** standard glide +\$0

**E9** standard glide with felt bottom +\$25



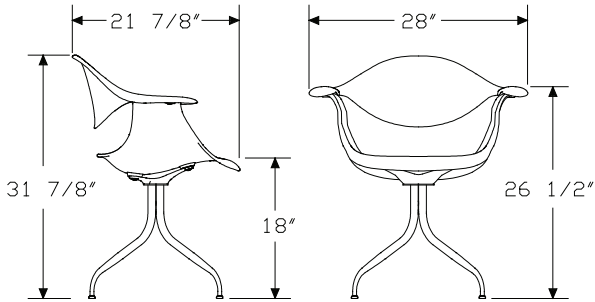
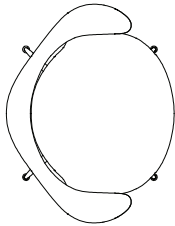
HermanMiller Collection—Side & Stacking Chairs

**Product Information**

**Description**

This chair has a 2-piece molded seat with arms and back, waterfall edges, a cast-aluminum base with steel-tube legs, and adjustable glides.

**Dimensions**

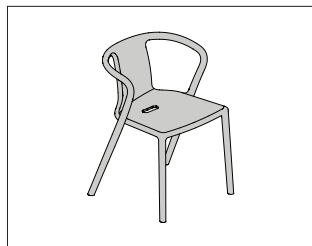


**Specification Information**

<b>Step 1.</b>		
<b>DAF</b>	<b>A</b>	\$713
<b>Step 2. Base Finish</b>		
<b>CH</b>	chrome <b>A</b>	+\$0
<b>Step 3. Seat Finish</b>		
<b>ZF</b>	white <b>A</b>	+\$0
<b>Step 4. Back Finish</b>		
<b>ZF</b>	white <b>A</b>	+\$0

# Air-Chair

MGA00.



### Product Information

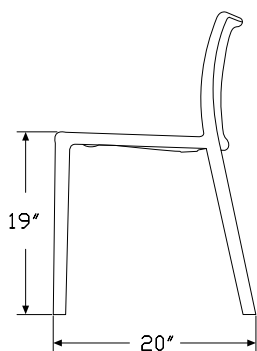
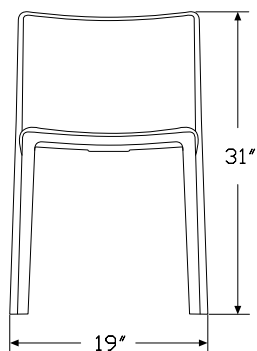
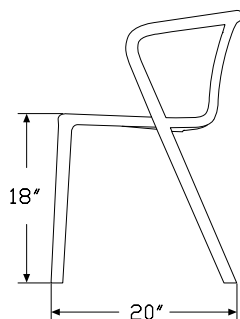
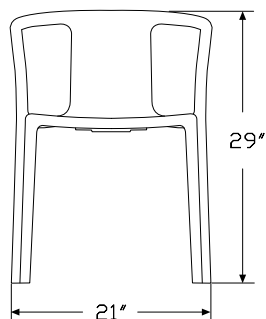
#### Description

This stacking chair is available with or without arms and is made from polypropylene with glass fibre added. Chairs can stack up to 10 high. Package contains 4 chairs.

#### Notes

This chair is suitable for outdoor use.

#### Dimensions



### Specification Information

#### Step 1.

**MGA00.**

#### Step 2. Arms

**N** no arms

**A** arms

#### Prices for Steps 1-2.

<b>MGA00.N</b>	\$773
<b>A</b>	\$858

#### Step 3. Finish

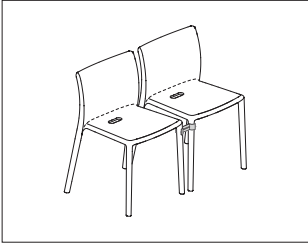
##### For no arms (N)

<b>YBB</b> beige <input type="checkbox"/>	+\$0
<b>YBC</b> black <input type="checkbox"/>	+\$0
<b>YBH</b> green <input type="checkbox"/>	+\$0
<b>YBM</b> orange <input type="checkbox"/>	+\$0
<b>YBP</b> white	+\$0
<b>PWH</b> pure white <input type="checkbox"/>	+\$0

##### For arms (A)

<b>YBB</b> beige <input type="checkbox"/>	+\$0
<b>YBH</b> green <input type="checkbox"/>	+\$0
<b>YBJ</b> grey anthracite <input type="checkbox"/>	+\$0
<b>YBM</b> orange <input type="checkbox"/>	+\$0
<b>YBP</b> white	+\$0
<b>PWH</b> pure white <input type="checkbox"/>	+\$0

Air-Chair to Air-Chair Connector MGA90.

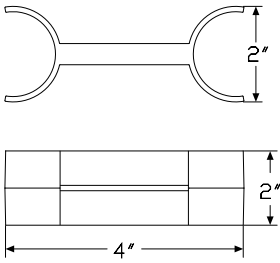


HermanMiller Collection—Side & Stacking Chairs

**Product Information**

Description  
This linking device connects air-chair to air-chair (MGA01, MGA11.)

**Dimensions**

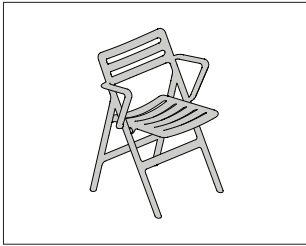


**Specification Information**

Step 1.  
**MGA90.** [A] \$15

# Air-Folding Chair

MGA01.



### Product Information

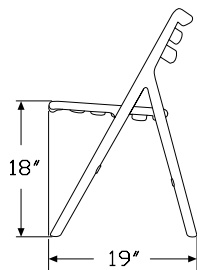
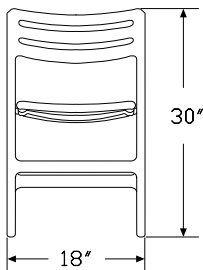
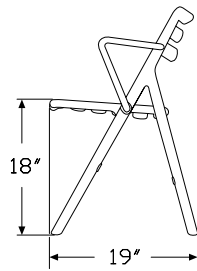
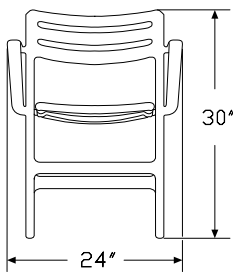
#### Description

This folding chair is made from polypropylene with glass fibre added. It is available with or without arms. Package contains 2 chairs.

#### Notes

This chair is suitable for outdoor use.

#### Dimensions



### Specification Information

#### Step 1.

**MGA01.**

#### Step 2. Arms

**N** no arms  
**A** arms

#### Prices for Steps 1-2.

<b>MGA01.N</b>	\$428
<b>A</b>	\$474

#### Step 3. Finish

#### For no arms (N)

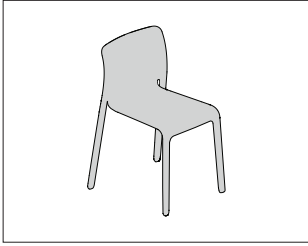
<b>YBH</b> green <input type="checkbox"/>	+\$0
<b>YBM</b> orange <input type="checkbox"/>	+\$0
<b>YBP</b> white	+\$0

#### For arms (A)

<b>YBP</b> white	+\$0
------------------	------

Chair First

MGF00.



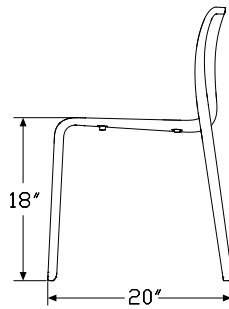
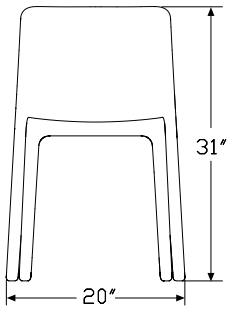
HermanMiller Collection—Side & Stacking Chairs

**Product Information**

**Description**  
 This stacking chair is made from polypropylene with glass fibre added. Chairs can stack up to 10 high. Package contains 4 chairs.

**Notes**  
 Chair is suitable for outdoor use.

**Dimensions**



**Specification Information**

**Step 1.**  
**MGF00.** \$1091

**Step 2. Finish**

<b>YGB</b>	beige <input type="checkbox"/>	+\$0
<b>YGC</b>	black <input type="checkbox"/>	+\$0
<b>YGH</b>	olive green <input type="checkbox"/>	+\$0
<b>YGM</b>	white <input type="checkbox"/>	+\$0



**Product Information**

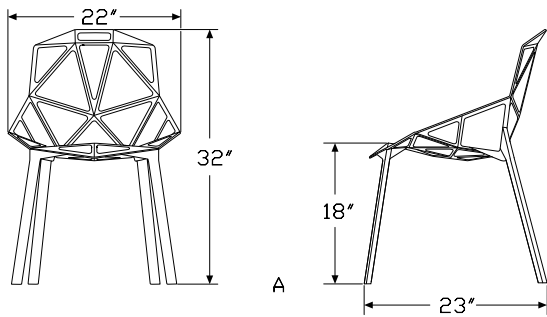
**Description**

This chair comes with a four-leg base. Chairs can stack up to 8 high. Package contains 2 chairs.

**Notes**

Chairs with painted aluminum seat and legs or painted aluminum seat/polished aluminum legs are suitable for outdoor use.

**Dimensions**



**Specification Information**

**Step 1.**

**MGE00.A**

**Step 2. Seat/Leg Material**

- PP** painted aluminum seat/polished aluminum legs  A
- PA** painted aluminum seat and legs
- AL** polished aluminum seat and legs  A

**Prices for Steps 1-2.**

<b>MGE00.A PP</b>	\$1056
<b>PA</b>	\$1100
<b>AL</b>	\$2651

**Step 3. Seat Finish**

*For painted aluminum seat/polished aluminum legs (PP)*

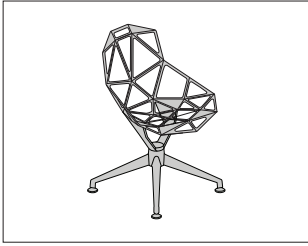
<b>YHH</b> grey anthracite <input type="checkbox"/> A	+\$0
<b>YHM</b> red <input type="checkbox"/> A	+\$0
<b>YHP</b> white <input type="checkbox"/> A	+\$0

*For painted aluminum seat and legs (PA)*

<b>YHB</b> black	+\$0
<b>YHP</b> white	+\$0
<b>YLW</b> yellow <input type="checkbox"/> A	+\$0
<b>HAA</b> ADAPTA grey	+\$240
<b>HAB</b> ADAPTA white	+\$240
<b>HAC</b> ADAPTA grey/green	+\$240
<b>HAD</b> ADAPTA blue	+\$240

*For polished aluminum seat and legs (AL)*

<b>YHQ</b> polished aluminum <input type="checkbox"/> A	+\$0
---	------



**Product Information**

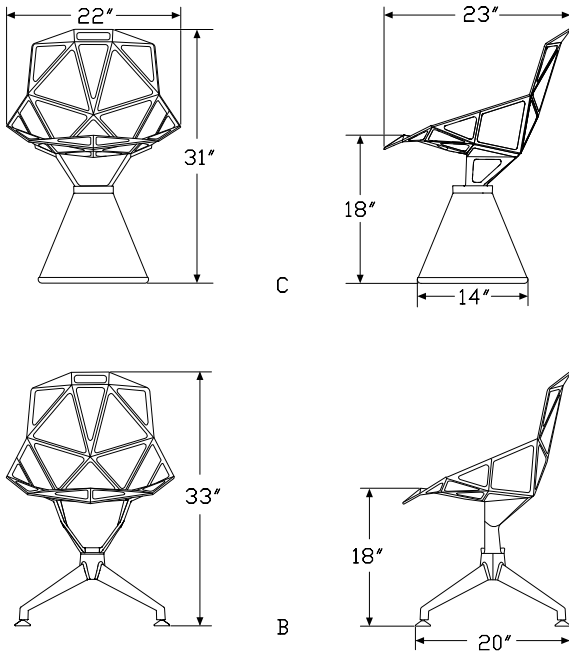
**Description**

This chair is available with a four-star or concrete base, with or without swivel.

**Notes**

Chairs with painted aluminum seat and legs (PA) or painted aluminum seat and concrete base (PC) are suitable for outdoor use.

**Dimensions**



**Specification Information**

**Step 1.**

**MGE00.** [A]

**Step 2. Base**

- B** 4-star base [A]
- C** concrete base [A]
- D** 4-star base, swivel [A]
- E** concrete base, swivel [A]

**Step 3. Seat/Leg Material**

*For 4-star base (B) or 4-star base, swivel (D)*

- PA** painted aluminum seat and legs [A]
- AL** polished aluminum seat and legs [A]

*For concrete base (C) or concrete base, swivel (E)*

- PC** painted aluminum seat/natural concrete base [A]
- PD** polished aluminum with concrete base [A]

**Prices for Steps 1-3.**

	PA	PC	AL	PD
<b>MGE00.B</b>	\$747	—	1701	—
<b>C</b>	—	\$784	—	1484
<b>D</b>	\$947	—	1901	—
<b>E</b>	—	\$984	—	1684

**Step 4. Seat Finish**

*For 4-star base (B) or 4-star base, swivel (D) with painted aluminum seat and legs (PA)*

<b>YHB</b>	black [A]			+\$0
<b>YHP</b>	white [A]			+\$0
<b>HAA</b>	ADAPTA grey [A]			+\$240
<b>HAB</b>	ADAPTA white [A]			+\$240
<b>HAC</b>	ADAPTA grey/green [A]			+\$240
<b>HAD</b>	ADAPTA blue [A]			+\$240



---

*For concrete base (C) or concrete base, swivel (E) with painted aluminum seat/natural concrete base (PC)*

---

<b>YHB</b>	black <input type="checkbox"/> A	+\$0
<b>YHH</b>	grey anthracite <input type="checkbox"/> A	+\$0
<b>YHM</b>	red <input type="checkbox"/> A	+\$0
<b>YHP</b>	white <input type="checkbox"/> A	+\$0
<b>YLW</b>	yellow <input type="checkbox"/> A	+\$0
<b>HAA</b>	ADAPTA grey <input type="checkbox"/> A	+\$200
<b>HAB</b>	ADAPTA white <input type="checkbox"/> A	+\$200
<b>HAC</b>	ADAPTA grey/green <input type="checkbox"/> A	+\$200
<b>HAD</b>	ADAPTA blue <input type="checkbox"/> A	+\$200

---

*For 4-star base (B), concrete base (C), 4-star base, swivel (D), or concrete base, swivel (E) with polished aluminum seat and legs (AL), or polished aluminum with concrete base (PD)*

---

<b>YHQ</b>	polished aluminum <input type="checkbox"/> A	+\$0
------------	--	------

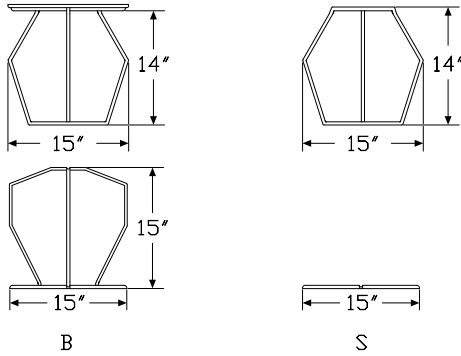


**Product Information**

**Description**

This cushion is available as a seat and back or seat only. Package contains 2 seat and back cushions or 2 seat cushions.

**Dimensions**



**Specification Information**

**Step 1.**

**MGE90.** [A]

**Step 2. Type**

- S** seat cushion [A]
- B** seat and back cushion [A]

**Prices for Steps 1-2.**

<b>MGE90.S</b>	\$338
<b>B</b>	\$521

**Step 3. Fabric**

*For seat cushion (S)*

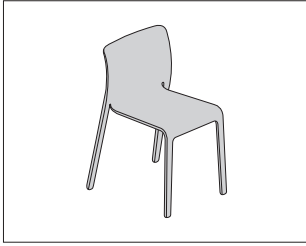
<b>YHF</b>	Gloss2 brown with dark brown trim [A]	+\$0
<b>YHG</b>	Tempo fuschia with red trim [A]	+\$0
<b>YHJ</b>	Gloss2 grey with black trim [A]	+\$0
<b>YHL</b>	Tempo orange with orange trim [A]	+\$0
<b>YHN</b>	Tempo sky blue with blue trim [A]	+\$0
<b>PN1</b>	white polyurethane [A]	+\$0
<b>PN2</b>	black polyurethane [A]	+\$0
<b>PN3</b>	grey polyurethane [A]	+\$0
<b>PN4</b>	blue polyurethane [A]	+\$0
<b>PN5</b>	grey/green polyurethane [A]	+\$0
<b>YHC</b>	black leather [A]	+\$264
<b>YHK</b>	natural leather [A]	+\$264

*For seat and back cushion (B)*

<b>YHF</b>	Gloss2 brown with dark brown trim [A]	+\$0
<b>YHG</b>	Tempo fuschia with red trim [A]	+\$0
<b>YHJ</b>	Gloss2 grey with black trim [A]	+\$0
<b>YHL</b>	Tempo orange with orange trim [A]	+\$0
<b>YHN</b>	Tempo sky blue with blue trim [A]	+\$0
<b>YHC</b>	black leather [A]	+\$366
<b>YHK</b>	natural leather [A]	+\$366

Dressed First

MGX00.



**Product Information**

Description

This stacking chair is made from polyurethane foam covered with fabric. Package contains 2 chairs.

Dimensions

**Specification Information**

Step 1.

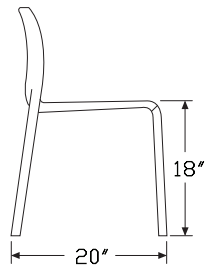
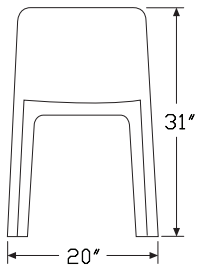
**MGX00.** A

\$2307

Step 2. Fabric

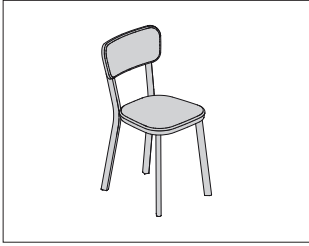
Price Category G

+\$0



# Deja-Vu Chair

MGD00.



Herman Miller Collection—Side & Stacking Chairs

### Product Information

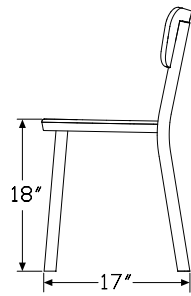
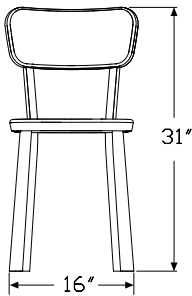
#### Description

This chair is available in polished or painted aluminum. Painted version is suitable for outdoor use.

#### Notes

Seat and inner back material is die-cast aluminum. Legs are extruded aluminum.

#### Dimensions



### Specification Information

#### Step 1.

**MGD00.**

#### Step 2. Finish

**AL** polished aluminum

**PA** painted aluminum

#### Prices for Steps 1-2.

<b>MGD00.AL</b>	\$755
<b>PA</b>	\$809

#### Step 3. Leg/Seat/Back Finish

#### For polished aluminum (AL)

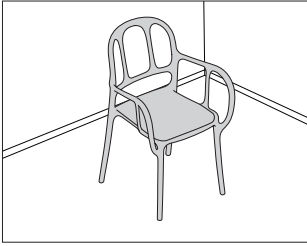
**YFD** polished aluminum + \$0

#### For painted aluminum (PA)

**YFB** black A + \$0

Mila Chair

XXSD2

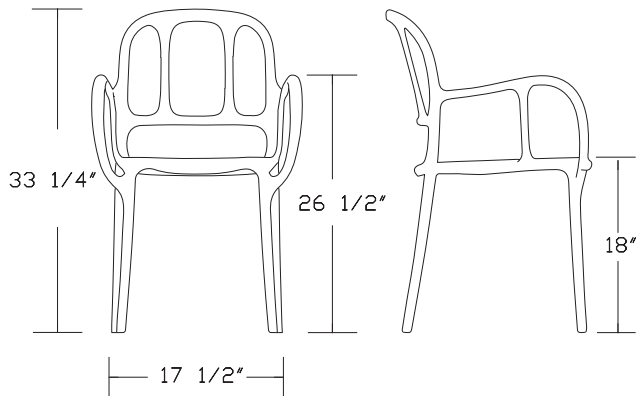
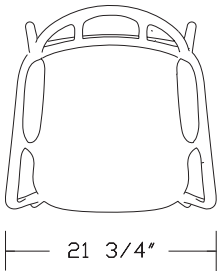


**Product Information**

**Description**

This stacking plastic chair is suitable for indoor or outdoor use. Stacks up to 6 high. Package contains 2 chairs.

**Dimensions**



**Specification Information**

**Step 1.**

**XXSD2100** A \$778

**Step 2. Finish**

**1484C** red A +\$0

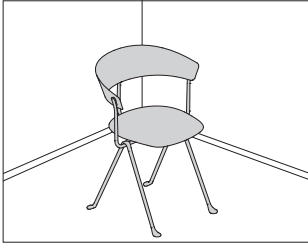
**1556C** dark green A +\$0

**1666C** yellow A +\$0

**1733C** beige A +\$0

**1738C** white +\$0

**1769C** black +\$0

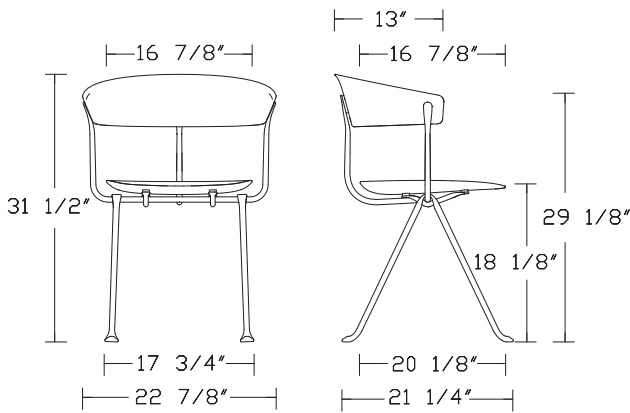


**Product Information**

**Description**

This chair has a wrought iron frame available in a galvanized or painted black finish. The seat and back are available in polypropylene, beech plywood, fabric or leather. Chair sold individually. Ships assembled.

**Dimensions**



**Specification Information**

**Step 1.**

**SD205X** [A]

**Step 2. Seat and Back**

- F** fabric upholstery [A]
- L** leather upholstery [A]
- P** polypropylene [A]
- W** plywood [A]

**Prices for Steps 1-2.**

<b>SD205X F</b>	\$1789
<b>L</b>	\$1849
<b>P</b>	\$749
<b>W</b>	\$1489

**Step 3. Frame Finish**

<b>GLV</b> galvanized [A]	+ \$0
<b>YCB</b> black [A]	+ \$0

**Step 4. Seat and Back Finish**

*For polypropylene (P)*

<b>DKG</b> dark green [A]	+ \$0
<b>MTG</b> metallized grey [A]	+ \$0
<b>YCB</b> black [A]	+ \$0

*For leather upholstery (L)*

<b>BLK</b> black [A]	+ \$0
<b>YNL</b> natural [A]	+ \$0

*For plywood (W)*

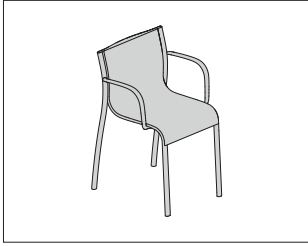
<b>YNC</b> natural beech [A]	+ \$0
<b>YNM</b> black beech [A]	+ \$0

*For fabric upholstery (F)*

<b>Price Category G</b>	+ \$0
-------------------------	-------

# Paso Doble Chair

MGP00.

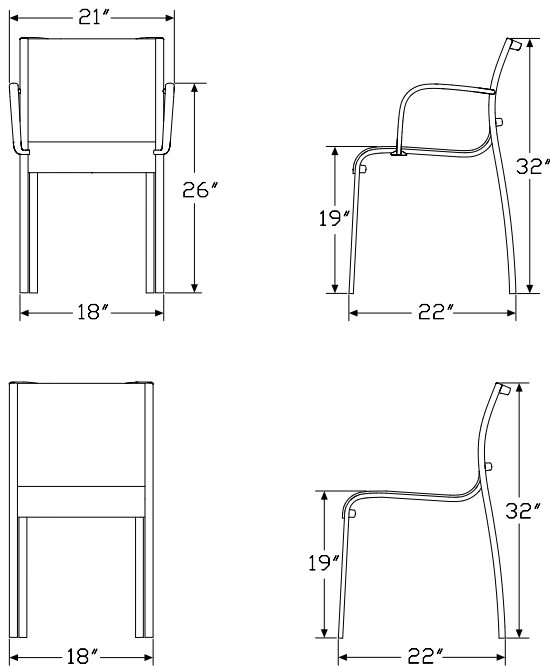


## Product Information

### Description

This stacking chair has an aluminum frame and is available with or without arms. The arms and crosspieces come in die-cast aluminum. Chairs can stack up to 5 high. Package contains 2 chairs.

### Dimensions



## Specification Information

### Step 1.

**MGP00.** [A]

### Step 2. Arms

**N** no arms [A]

**A** arms [A]

### Prices for Steps 1-2.

<b>MGP00.N</b>	\$1315
<b>A</b>	\$1815

### Step 3. Frame Finish

		<b>N</b>	<b>A</b>
<b>YKB</b>	black [A]	+\$0	0
<b>YKV</b>	polished aluminum [A]	+\$346	416

### Step 4. Seat Fabric

#### For black (YKB)

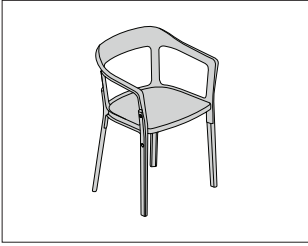
		<b>N</b>	<b>A</b>
<b>YKM</b>	black polymer [A]	+\$0	0
<b>YKC</b>	black polyester-cotton [A]	+\$52	40
<b>YKP</b>	black leather [A]	+\$894	884

#### For polished aluminum (YKV)

		<b>N</b>	<b>A</b>
<b>YKM</b>	black polymer [A]	+\$0	0
<b>YKC</b>	black polyester-cotton [A]	+\$40	40
<b>YKF</b>	green polyester-cotton [A]	+\$40	40
<b>YKG</b>	orange polyester-cotton [A]	+\$40	40
<b>YKH</b>	purple polyester-cotton [A]	+\$40	40
<b>YKR</b>	white-black melange [A]	+\$40	40
<b>YKD</b>	black leather [A]	+\$1006	854

# Steelwood Chair

MGS00.

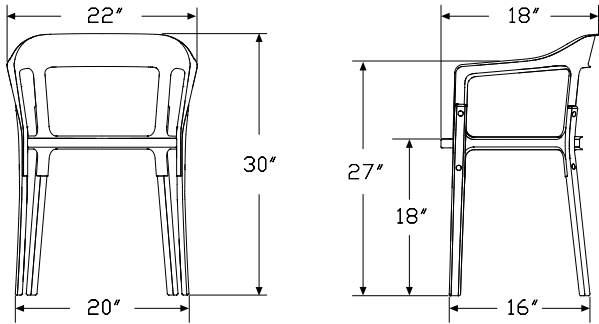


HermanMiller Collection—Side & Stacking Chairs

## Product Information

**Description**  
 The frame of this chair with arms is a steel plate painted in epoxy resin. The legs and seat are solid beech or oak, available in natural and painted.

## Dimensions



## Specification Information

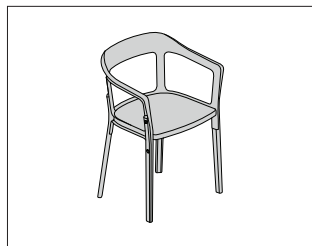
**Step 1.**  
**MGS00.** \$777

Step 2. Legs/Seat/Frame Finish		
<b>YHH</b>	grey anthracite <input type="checkbox"/>	+\$0
<b>YMB</b>	black <input type="checkbox"/>	+\$0
<b>YMD</b>	red <input type="checkbox"/>	+\$0
<b>YMF</b>	white <input type="checkbox"/>	+\$0
<b>YMK</b>	natural beech and black <input type="checkbox"/>	+\$0
<b>YMP</b>	grey <input type="checkbox"/>	+\$0
<b>YMM</b>	natural beech and white	+\$0
<b>YNN</b>	walnut-stained beech and black <input type="checkbox"/>	+\$0
<b>YNP</b>	dark beech and black <input type="checkbox"/>	+\$0
<b>YNQ</b>	natural oak and white <input type="checkbox"/>	+\$100
<b>YNR</b>	natural oak and black <input type="checkbox"/>	+\$100
<b>YNS</b>	natural oak and grey <input type="checkbox"/>	+\$100
<b>YNT</b>	dark oak and grey anthracite <input type="checkbox"/>	+\$100



# Steelwood Upholstered Chair

MGS00.



### Product Information

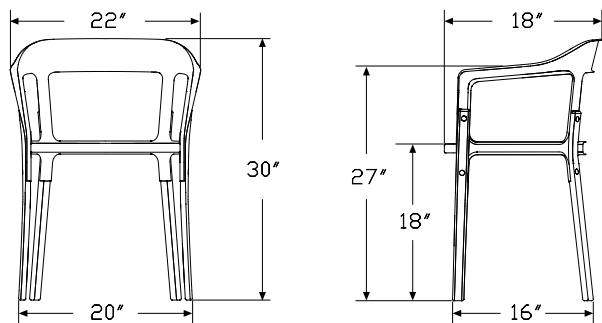
#### Description

The frame of this chair with arms is a steel plate painted in epoxy resin. The legs are solid beech, painted, and the seat is polypropylene upholstered in Kvadrat Divina MD.

#### Notes

This chair meets CAL 133 requirements.

#### Dimensions



### Specification Information

#### Step 1.

**MGS00.U** A \$847

#### Step 2. Legs/Seat/Frame Finish

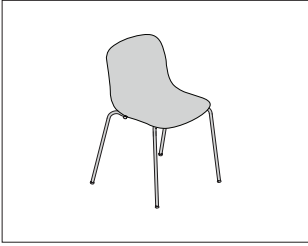
**YMB** black A +\$0

#### Step 3. Fabric

Price Category G +\$0

# Troy Plastic Chair

MGY08.



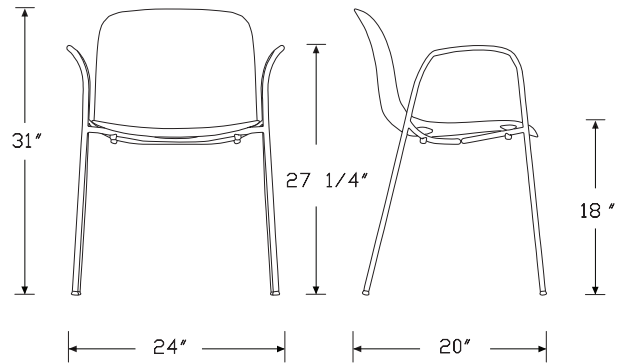
HermanMiller Collection—Side & Stacking Chairs

## Product Information

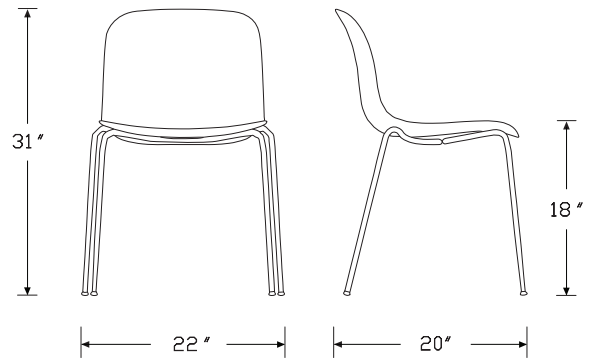
### Description

The frame of this stacking chair is steel tube available in chrome or painted, or wood available in black or natural. The seat and back are plastic. Available with or without arms. Chairs with metal frame can stack up to 6 high. Wood frame chairs cannot stack. Package contains 2 chairs.

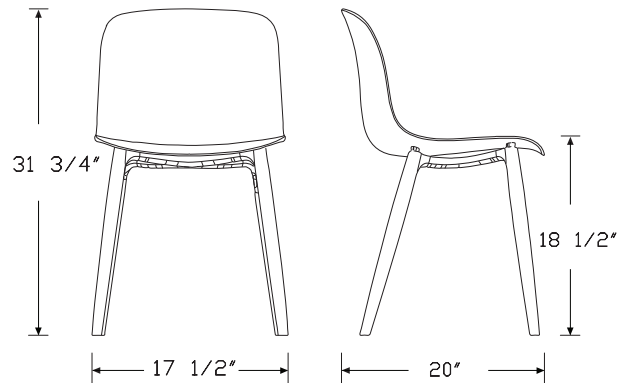
## Dimensions



Steel frame with arms



Steel frame no arms



Wood frame

# Troy Plastic Chair *continued*

## Specification Information

Step 1.

**MGY08.**

Step 2. Frame

- P** painted frame no arms
- PA** painted frame with arms
- C** chrome frame no arms
- CA** chrome frame with arms
- BW** black wood frame no arms
- NW** natural wood frame no arms

Prices for Steps 1-2.

<b>MGY08. P</b>	\$803
<b>PA</b>	\$1026
<b>C</b>	\$885
<b>CA</b>	\$1163
<b>BW</b>	\$985
<b>NW</b>	\$985

Step 3. Seat Finish

*For painted frame no arms (P), painted frame with arms (PA), chrome frame no arms (C), chrome frame with arms (CA), or natural wood frame no arms (NW)*

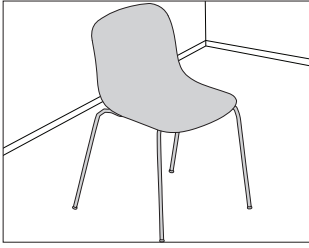
<b>YNG</b> black <input type="checkbox"/>	+ \$0
<b>YNJ</b> white <input type="checkbox"/>	+ \$0
<b>YLW</b> yellow <input type="checkbox"/>	+ \$0
<b>YGJ</b> purple <input type="checkbox"/>	+ \$0
<b>YBH</b> green <input type="checkbox"/>	+ \$0
<b>YGK</b> red <input type="checkbox"/>	+ \$0

*For black wood frame no arms (BW)*

<b>YNG</b> black <input type="checkbox"/>	+ \$0
---	-------

# Troy Upholstered Chair

MGY01.



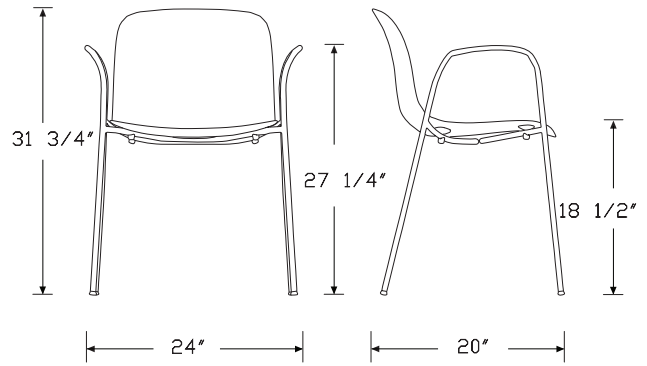
HermanMiller Collection—Side & Stacking Chairs

## Product Information

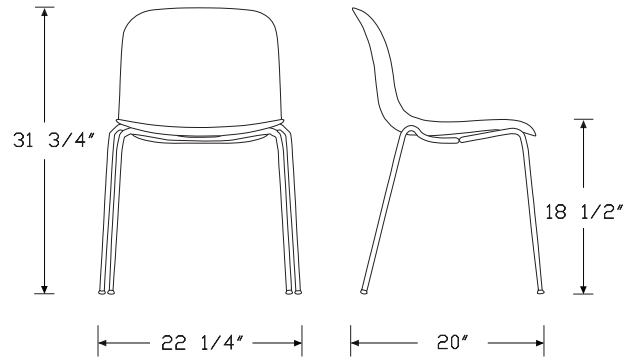
### Description

This side chair has a steel tube frame available in chrome or painted in white or black, or a wood frame available in black or natural. The plastic seat and back are upholstered in fabric. Available with or without arms. Chairs with metal frame can stack up to 6 high. Wood frame chairs cannot stack. Package contains 2 chairs.

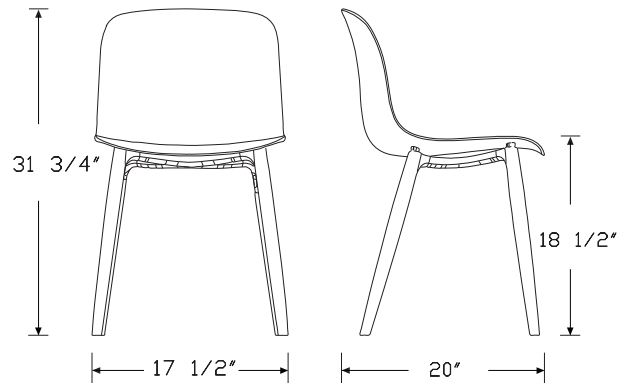
## Dimensions



Steel frame with arms



Steel frame no arms



Wood frame

# Troy Upholstered Chair *continued*

## Specification Information

### Step 1.

**MGY01.**  A

### Step 2. Frame Type

- N** metal frame no arms  A
- A** metal frame with arms  A
- W** wood frame no arms  A

### Prices for Steps 1-2.

<b>MGY01. N</b>	\$2109
<b>A</b>	\$2339
<b>W</b>	\$2209

### Step 3. Frame Finish

*For metal frame no arms (N) or metal frame with arms (A)*

<b>YNG</b>	black <input type="checkbox"/> A	+ \$0
<b>YNJ</b>	white <input type="checkbox"/> A	+ \$0
<b>YNK</b>	chrome <input type="checkbox"/> A	+ \$0

*For wood frame no arms (W)*

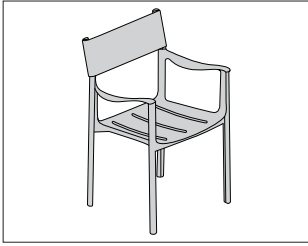
<b>BW</b>	black wood <input type="checkbox"/> A	+ \$0
<b>NW</b>	natural wood <input type="checkbox"/> A	+ \$0

### Step 4. Fabric

Price Category G + \$0

# Venice Chair

MGU00.



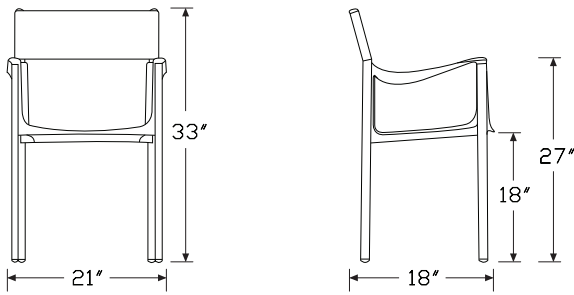
HermanMiller Collection—Side & Stacking Chairs

## Product Information

### Description

This stacking chair with arms has a seat of die-cast aluminum, polished or painted in polyester powder. Legs are extruded aluminum, polished or painted in polyester powder. Back is thermoplastic rubber or leather. Chairs stack up to 6 high. Painted frame is suitable for outdoor use. Sold in sets of 2 only.

### Dimensions



## Specification Information

### Step 1.

**MGU00.**  A \$1431

### Step 2. Frame Finish

**YNJ** white  A +\$0  
**YNG** black  A +\$0  
**YCD** polished  A +\$1300

### Step 3. Seat Finish

#### For white (YNJ) or black (YNG)

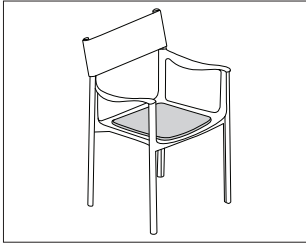
**YBC** black  A +\$0  
**YMP** grey  A +\$0  
**YBH** green  A +\$0  
**YMN** light blue  A +\$0  
**YBG** fuchsia  A +\$0  
**YBM** orange  A +\$0

#### For polished (YCD)

**YHC** black leather  A +\$0  
**YHK** natural leather  A +\$0

# Venice Cushion

MGU90.

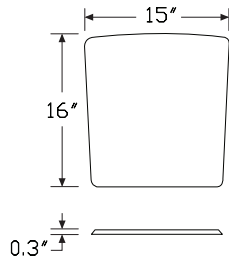


### Product Information

#### Description

This seat cushion is expanded polyethylene covered in fabric.

#### Dimensions



### Specification Information

#### Step 1.

**MGU90.** [A] \$401

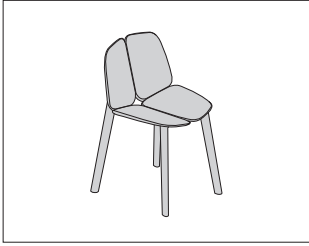
#### Step 2. Seat Finish

<b>YBC</b>	black [A]	+\$0
<b>YB7</b>	dark grey [A]	+\$0
<b>YBF</b>	dark green [A]	+\$0
<b>YGF</b>	blue [A]	+\$0
<b>YLB</b>	dark purple [A]	+\$0
<b>YB8</b>	brick red [A]	+\$0
<b>YHC</b>	black leather [A]	+\$50
<b>YHK</b>	natural leather [A]	+\$50

HermanMiller Collection—Side & Stacking Chairs

Osso Chair

MGJ00.



Herman Miller Collection—Side & Stacking Chairs

**Product Information**

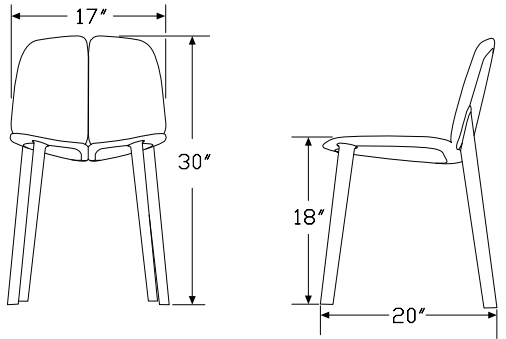
**Description**

This solid wood side chair is available in an ash or oak frame.

**Notes**

Chairs are not stackable.  
Upholstery not shown.

**Dimensions**



**Specification Information**

**Step 1.**

**MGJ00.**  A

**Step 2. Upholstery**

**N** no upholstery  A  
**U** upholstered seat  A

**Prices for Steps 1-2.**

<b>MGJ00. N</b>	\$1444
<b>U</b>	\$2044

**Step 3. Frame Finish**

<b>YSB</b> black wax ash <input type="checkbox"/> A	+\$0
<b>YSC</b> blue wax ash <input type="checkbox"/> A	+\$0
<b>YSD</b> green wax ash <input type="checkbox"/> A	+\$0
<b>YSF</b> dark grey wax ash <input type="checkbox"/> A	+\$0
<b>YSG</b> natural wax ash <input type="checkbox"/> A	+\$0
<b>YSH</b> pink wax ash <input type="checkbox"/> A	+\$0
<b>YSJ</b> white wax ash <input type="checkbox"/> A	+\$0
<b>YSL</b> natural wax oak <input type="checkbox"/> A	+\$187

**Step 4. Fabric**

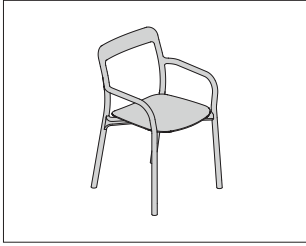
*For upholstered seat (U)*

<b>YGR01</b> gravel 139 <input type="checkbox"/> A	+\$0
<b>YGR02</b> gravel 149 <input type="checkbox"/> A	+\$0
<b>YGR03</b> gravel 179 <input type="checkbox"/> A	+\$0



# Branca Chair

MGR00.

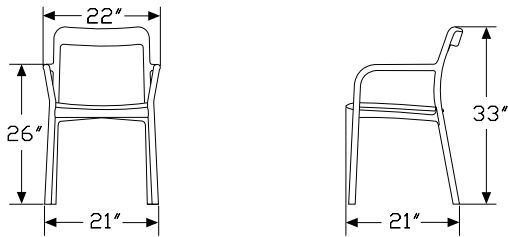


### Product Information

#### Description

This solid wood chair with armrests is available with a solid ash frame. Chairs can stack up to 3 high.

#### Dimensions



### Specification Information

#### Step 1.

**MGR00.**

#### Step 2. Upholstery

- N** no upholstery
- U** upholstered seat

#### Prices for Steps 1-2.

<b>MGR00.N</b>	\$1552
<b>U</b>	\$1825

#### Step 3. Frame Finish

<b>YRC</b>	chocolate/natural seat ash <input type="checkbox"/>	+\$0
<b>YRD</b>	green wax ash <input type="checkbox"/>	+\$0
<b>YRF</b>	natural wax ash	+\$0
<b>YRG</b>	white anilin ash <input type="checkbox"/>	+\$0
<b>YRH</b>	black mat anilin ash <input type="checkbox"/>	+\$0

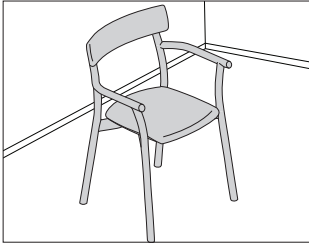
#### Step 4. Fabric

##### For upholstered seat (U)

<b>YDF01</b>	nord wool black/dark grey thread <input type="checkbox"/>	+\$0
<b>YDF02</b>	nord wool grey/white thread <input type="checkbox"/>	+\$0
<b>YDF03</b>	nord wool lime/dark grey thread <input type="checkbox"/>	+\$0
<b>YDF04</b>	nord wool orange/white thread <input type="checkbox"/>	+\$0
<b>YNV01</b>	novum cocos	+\$0
<b>YNV02</b>	novum rosewood	+\$0
<b>YNV03</b>	novum moss	+\$0
<b>YNV04</b>	novum lanoso	+\$0
<b>YNV05</b>	novum pepper	+\$0

# Chiaro Chair

MGCH00



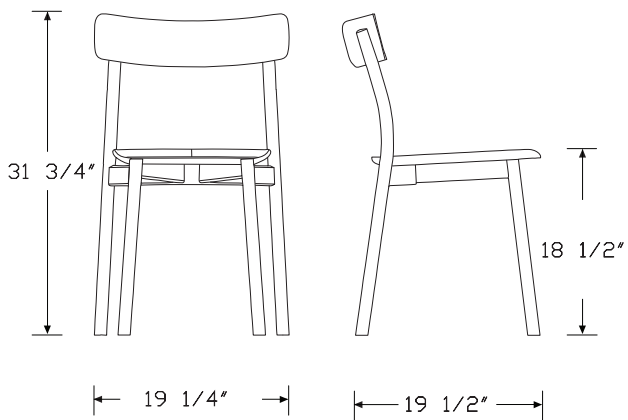
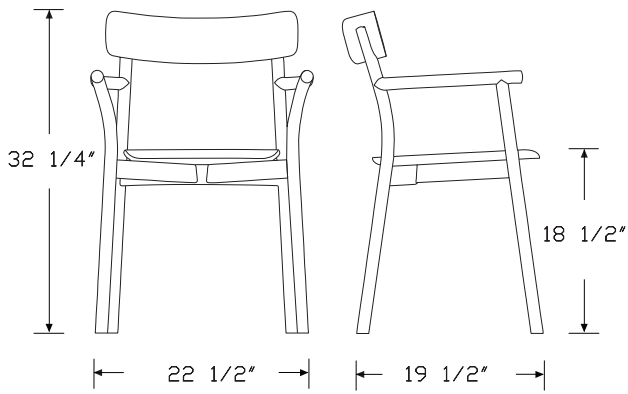
HermanMiller Collection—Side & Stacking Chairs

## Product Information

### Description

This chair has an ash or oak frame with or without arms. It comes in 7 finishes and stacks 3 high.

### Dimensions



## Specification Information

### Step 1.

**MGCH00.**  A

### Step 2. Arms

**N** no arms  A

**A** arms  A

### Prices for Steps 1-2.

<b>MGCH00. N</b>	\$799
<b>A</b>	\$969

### Step 3. Frame

**YSA** ash  A +\$0

**YFC** oak  A +\$150

### Step 4. Finish

#### For ash (YSA)

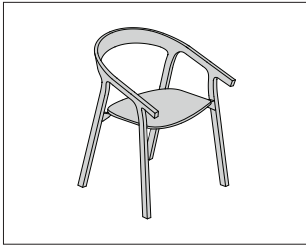
<b>YBC</b> black <input type="checkbox"/> A	+\$0
<b>YBP</b> white <input type="checkbox"/> A	+\$0
<b>YDC</b> blue <input type="checkbox"/> A	+\$0
<b>YLW</b> yellow <input type="checkbox"/> A	+\$0
<b>YMP</b> grey <input type="checkbox"/> A	+\$0
<b>YNL</b> natural <input type="checkbox"/> A	+\$0
<b>YRK</b> dark red <input type="checkbox"/> A	+\$0

#### For oak (YFC)

<b>YNL</b> natural <input type="checkbox"/> A	+\$0
---	------

# He Said Chair

MGH00.

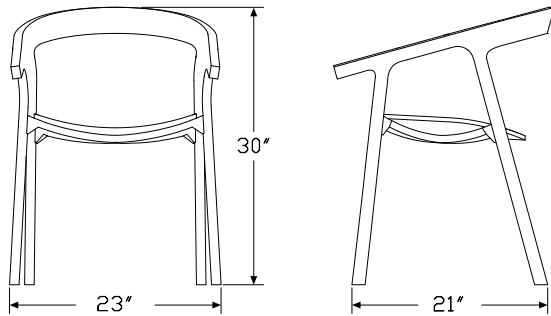


### Product Information

#### Description

This solid wood chair with armrests is available in a solid ash frame. Chairs can stack up to 2 high.

#### Dimensions



### Specification Information

#### Step 1.

**MGH00.**

#### Step 2. Upholstery

**N** no upholstery

**U** upholstered seat

#### Prices for Steps 1-2.

<b>MGH00.N</b>	\$1643
<b>U</b>	\$2474

#### Step 3. Frame Finish

<b>YQB</b>	black anilin ash <input type="checkbox"/>	+\$0
<b>YRG</b>	white anilin ash <input type="checkbox"/>	+\$0
<b>ZQ5</b>	anilin ash neon blue <input type="checkbox"/>	+\$0
<b>YQC</b>	natural ash <input type="checkbox"/>	+\$53

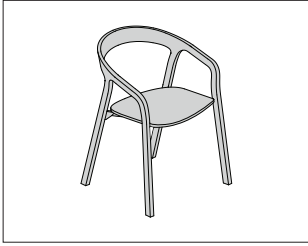
#### Step 4. Fabric

##### For upholstered seat (U)

<b>YDG01</b>	topia ebony <input type="checkbox"/>	+\$0
<b>YDG02</b>	topia anthrazit <input type="checkbox"/>	+\$0
<b>YDG03</b>	topia chrome <input type="checkbox"/>	+\$0
<b>YDG04</b>	topia moon <input type="checkbox"/>	+\$0
<b>YDG05</b>	topia snow <input type="checkbox"/>	+\$0
<b>YDG06</b>	topia orion <input type="checkbox"/>	+\$0
<b>YDG07</b>	topia azur <input type="checkbox"/>	+\$0
<b>YDG08</b>	topia seashell <input type="checkbox"/>	+\$0
<b>YDG09</b>	topia litchi <input type="checkbox"/>	+\$0
<b>YDG10</b>	topia heart <input type="checkbox"/>	+\$0

# She Said Chair

MGH01.



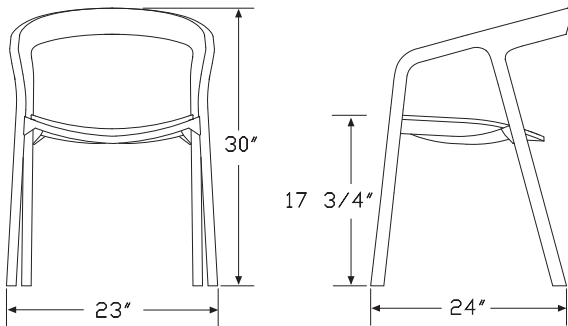
HermanMiller Collection—Side & Stacking Chairs

## Product Information

### Description

This solid wood chair with armrests is available in a solid ash frame. Chairs can stack up to 2 high.

### Dimensions



## Specification Information

### Step 1.

**MGH01.**

### Step 2. Upholstery

- N** no upholstery
- U** upholstered seat

### Prices for Steps 1-2.

<b>MGH01.N</b>	\$1643
<b>U</b>	\$2474

### Step 3. Frame Finish

<b>YQB</b> black anilin ash <input type="checkbox"/>	+\$0
<b>YRG</b> white anilin ash <input type="checkbox"/>	+\$0
<b>ZQ5</b> anilin ash neon blue	+\$0
<b>YQC</b> natural ash	+\$53

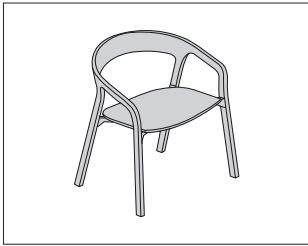
### Step 4. Fabric

*For upholstered seat (U)*

<b>YDG01</b> topia ebony <input type="checkbox"/>	+\$0
<b>YDG02</b> topia anthrazit <input type="checkbox"/>	+\$0
<b>YDG03</b> topia chrome <input type="checkbox"/>	+\$0
<b>YDG04</b> topia moon <input type="checkbox"/>	+\$0
<b>YDG05</b> topia snow <input type="checkbox"/>	+\$0
<b>YDG06</b> topia orion <input type="checkbox"/>	+\$0
<b>YDG07</b> topia azur <input type="checkbox"/>	+\$0
<b>YDG08</b> topia seashell <input type="checkbox"/>	+\$0
<b>YDG09</b> topia litchi <input type="checkbox"/>	+\$0
<b>YDG10</b> topia heart <input type="checkbox"/>	+\$0

# She Said Lowide Chair

MGH02.

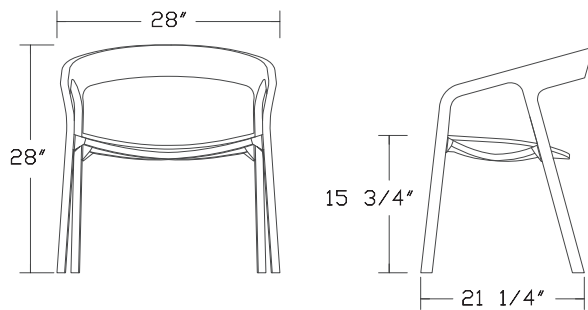


## Product Information

### Description

This solid wood chair with armrests is available in an ash frame. Chairs can stack up to 2 high.

### Dimensions



## Specification Information

### Step 1.

**MGH02.**

### Step 2. Upholstery

**N** no upholstery

**U** upholstered seat

### Prices for Steps 1-2.

<b>MGH02.N</b>	\$2107
<b>U</b>	\$3049

### Step 3. Frame Finish

<b>YQB</b>	black anilin ash <input type="checkbox"/>	+\$0
<b>YRG</b>	white anilin ash <input type="checkbox"/>	+\$0
<b>ZQ5</b>	anilin ash neon blue <input type="checkbox"/>	+\$0
<b>YQC</b>	natural ash <input type="checkbox"/>	+\$60

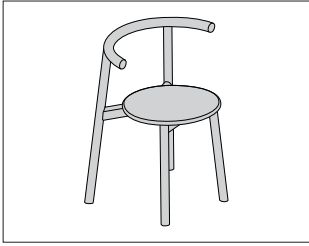
### Step 4. Fabric

#### For upholstered seat (U)

<b>YDG01</b>	topia ebony <input type="checkbox"/>	+\$0
<b>YDG02</b>	topia anthrazit <input type="checkbox"/>	+\$0
<b>YDG03</b>	topia chrome <input type="checkbox"/>	+\$0
<b>YDG04</b>	topia moon <input type="checkbox"/>	+\$0
<b>YDG05</b>	topia snow <input type="checkbox"/>	+\$0
<b>YDG06</b>	topia orion <input type="checkbox"/>	+\$0
<b>YDG07</b>	topia azur <input type="checkbox"/>	+\$0
<b>YDG08</b>	topia seashell <input type="checkbox"/>	+\$0
<b>YDG09</b>	topia litchi <input type="checkbox"/>	+\$0
<b>YDG10</b>	topia heart <input type="checkbox"/>	+\$0

Solo Chair

MGZ00.



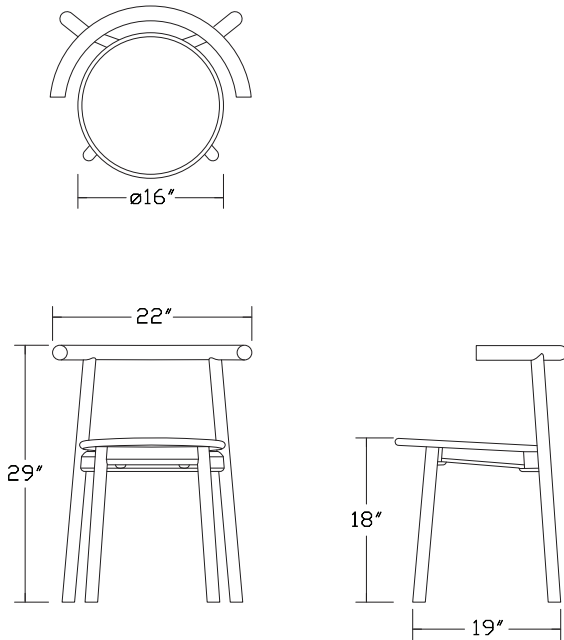
Herman Miller Collection—Side & Stacking Chairs

**Product Information**

**Description**

This solid wood chair is available in an ash or oak frame.

**Dimensions**



**Specification Information**

**Step 1.**

**MGZ00.**

**Step 2. Upholstery**

- N** no upholstery
- S** upholstered seat

**Prices for Steps 1-2.**

<b>MGZ00.N</b>	\$783
<b>S</b>	\$995

**Step 3. Frame Finish**

<b>ZQ1</b>	dark red anilin ash <input type="checkbox"/>	+\$0
<b>ZQ2</b>	natural ash <input type="checkbox"/>	+\$0
<b>ZQ3</b>	anilin ash blue/black <input type="checkbox"/>	+\$0
<b>ZQ4</b>	anilin ash white <input type="checkbox"/>	+\$0
<b>ZQ5</b>	anilin ash neon blue <input type="checkbox"/>	+\$0
<b>ZQ6</b>	anilin ash turquoise <input type="checkbox"/>	+\$0
<b>ZQ7</b>	natural oak waxed <input type="checkbox"/>	+\$150

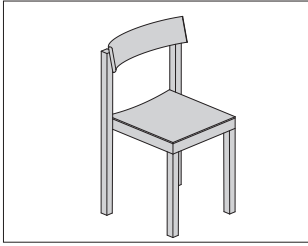
**Step 4. Seat Fabric**

*For upholstered seat (S)*

<b>YDD13</b>	white <input type="checkbox"/>	+\$0
<b>YDD14</b>	red <input type="checkbox"/>	+\$0
<b>YDD16</b>	dark grey <input type="checkbox"/>	+\$0
<b>YDD17</b>	black blue <input type="checkbox"/>	+\$0
<b>YDD19</b>	green <input type="checkbox"/>	+\$0

Primo Chair

MC14C.

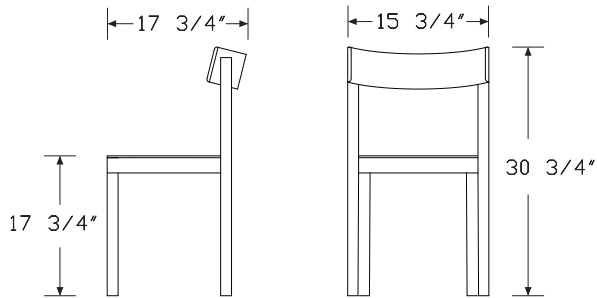


**Product Information**

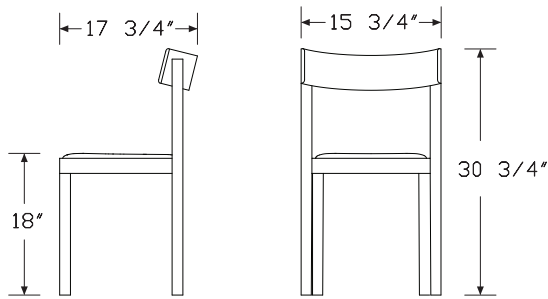
**Description**

This solid wood chair has a beech or oak frame. Oak has the option of an upholstered seat. Stacks up to 3 high.

**Dimensions**



Non-upholstered Seat



Upholstered Seat

**Specification Information**

**Step 1.**

**MC14C.**  A

**Step 2. Upholstery**

**N** no upholstery  A

**U** upholstered seat  A

**Prices for Steps 1-2.**

<b>MC14C.N</b>	\$630
<b>U</b>	\$1100

**Step 3. Frame Finish**

*For no upholstery (N)*

<b>YNC</b> natural beech <input type="checkbox"/> A	+\$0
<b>YRB</b> black beech <input type="checkbox"/> A	+\$0
<b>YGP</b> gold beech <input type="checkbox"/> A	+\$310

*For upholstered seat (U)*

<b>YFC</b> natural oak <input type="checkbox"/> A	+\$200
---	--------

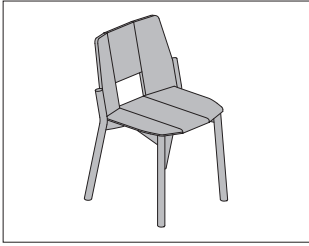
**Step 4. Fabric**

*For upholstered seat (U)*

<b>SL508</b> sweet leather 508 <input type="checkbox"/> A	+\$0
<b>SL510</b> sweet leather 510 <input type="checkbox"/> A	+\$0
<b>SL512</b> sweet leather 512 <input type="checkbox"/> A	+\$0
<b>SLN41</b> sweet leather N41 <input type="checkbox"/> A	+\$0
<b>YLJ</b> dani acquario cuoio leather <input type="checkbox"/> A	+\$180
<b>YLK</b> dani acquario marrone 6030 leather <input type="checkbox"/> A	+\$180
<b>YLN</b> dani acquario t. moro leather <input type="checkbox"/> A	+\$180
<b>YLP</b> dani acquario anthracite leather <input type="checkbox"/> A	+\$180

# Tronco Stacking Chair

MGK01.



HermanMiller Collection—Side & Stacking Chairs

## Product Information

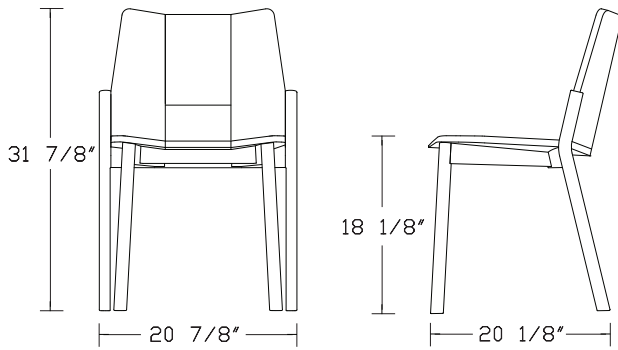
### Description

This chair is available in Mattiazzi's standard ash as well as olive ash, in a variety of finishes. Chairs can stack up to 5 high or up to 10 high on the appropriate dolly.

### Notes

Order Tronco dolly (MGK99.) separately.

### Dimensions



## Specification Information

### Step 1.

**MGK01.**  \$899

### Step 2. Frame

**OLA** olive ash  +\$0

**YSA** ash  +\$0

### Step 3. Finish

#### For olive ash (OLA)

**YNL** natural  +\$0

#### For ash (YSA)

**CNS** chestnut stained  +\$0

**WNS** walnut stained  +\$0

**YBC** black  +\$0

**YBP** white  +\$0

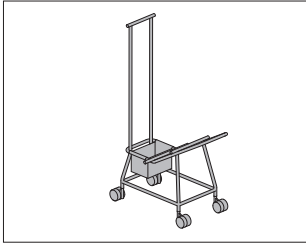
**YNL** natural  +\$0

**YRL** red  +\$0



Tronco Dolly

MGK99.

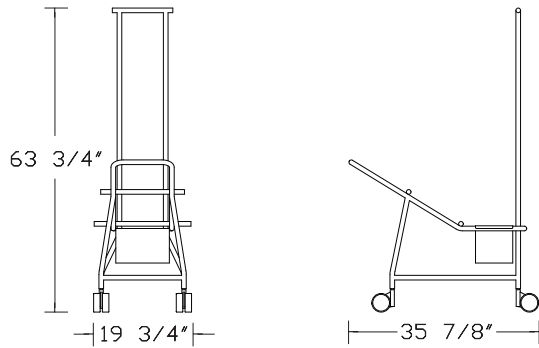


**Product Information**

Description

This dolly holds up to 10 Tronco chairs. Powder coated finish.

Dimensions



**Specification Information**

Step 1.

**MGK99.**  A \$1850

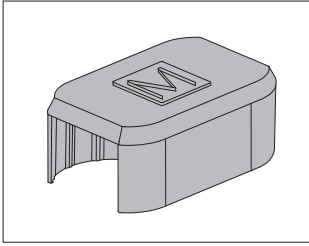
Step 2. Finish

**YBC** black  A +\$0

**YBP** white  A +\$0

Tronco Connector

MGK91.

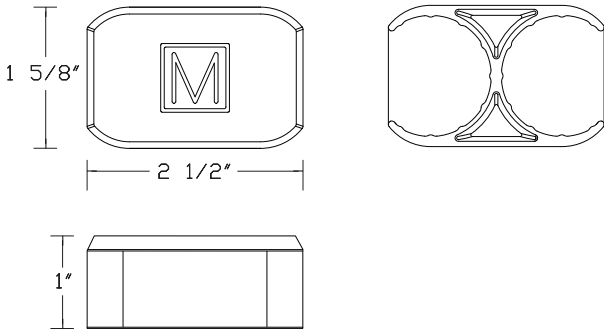


HermanMiller Collection—Side & Stacking Chairs

**Product Information**

**Description**  
This plastic connector joins 2 Tronco chairs and comes in a matte finish.

**Dimensions**



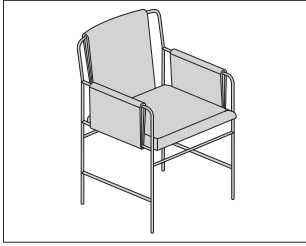
**Specification Information**

**Step 1.**  
**MGK91.** [A] \$49

**Step 2. Finish**  
**YBC** black [A] +\$0  
**YRL** red [A] +\$0

# Envelope® Chair

SBEV-



### Product Information

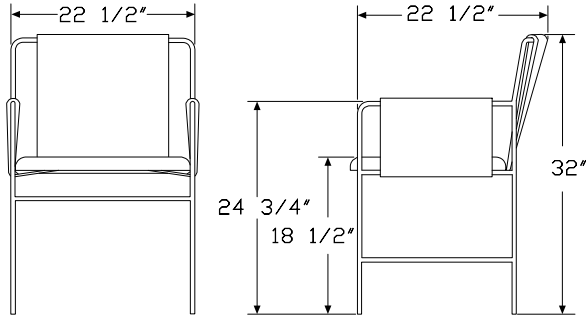
#### Description

This chair has a welded tubular steel frame. The seat is foam and Dacron® over plywood. The back consists of FR foam.

#### Notes

Customers Own Material (COM) requires 2½yards. Customers Own Leather (COL) requires 40 square feet. See Order Information in Appendices.

#### Dimensions



### Specification Information

#### Step 1.

**SBEV-1020** A \$1321

#### Step 2. Upholstery

Price Category (Geiger) 1	+\$98
Price Category 1	+\$0
Price Category (Geiger) 2	+\$0
Price Category 2	+\$118
Price Category (Geiger) 3	+\$148
Price Category 3	+\$148
Price Category (Geiger) 4	+\$180
Price Category (Geiger) 5	+\$263
Price Category 5	+\$263
Price Category (Geiger) 6	+\$345
Price Category (Geiger) 7	+\$428
Price Category (Geiger) 8	+\$655
Price Category (Geiger) 9	+\$813
Price Category 9	+\$813
Price Category (Geiger) 10	+\$935
Price Category (Geiger) 11	+\$1048
Price Category (Geiger) A	+\$124
Price Category (Geiger) B	+\$135
Price Category (Geiger) C	+\$146
Price Category (Geiger) D	+\$169
Price Category (Geiger) E	+\$191
Price Category (Geiger) F	+\$214
Price Category (Geiger) G	+\$236
Price Category (Geiger) H	+\$259
Price Category (Geiger) I	+\$523
Price Category (Geiger) J	+\$293
Price Category (Geiger) K	+\$326
Price Category (Geiger) L	+\$360
Price Category (Geiger) M	+\$405
Price Category (Geiger) N	+\$450
Price Category (Geiger) O	+\$1063
Price Category (Geiger) P	+\$495
Price Category (Geiger) Q	+\$1000
Price Category (Geiger) R	+\$1850
Price Category (Geiger) S	+\$1988
Price Category (Geiger) T	+\$2125
Price Category (Geiger) U	+\$2263
Price Category (Geiger) V	+\$2400
Price Category (Geiger) COM <span style="border: 1px solid black; padding: 0 2px;">A</span>	+\$0
Price Category (Geiger) COL <span style="border: 1px solid black; padding: 0 2px;">A</span>	+\$180

Envelope® Chair *continued*

HermanMiller Collection—Side & Stacking Chairs

---

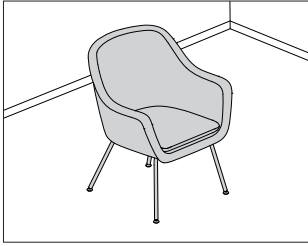
Step 3. Base Finish		
<b>CHR</b>	chrome <input type="checkbox"/> A	+\$0
<b>SAC</b>	satin chrome <input type="checkbox"/> A	+\$0

---

Step 4. Fire Retardancy		
<b>NOCAL</b>	not fire retardant <input type="checkbox"/> A	+\$0
<b>133</b>	fire retardant <input type="checkbox"/> A	+\$163

# Bumper Side Chair

SBRLN



## Product Information

### Description

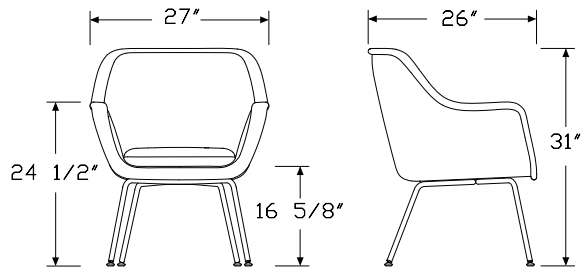
This side chair has upholstered inner and outer shells and arm cap, each made from one continuous piece of fabric or leather. It has an upholstered seat cushion. The frame is rigid molded urethane with foam inserts, and seat and back are FR foam over rigid inserts. The 4-leg base is plated steel, available in chrome.

### Notes

Customers Own Material (COM) requires 2½ yards for the shell inside and outside, an additional 1¾ yards for the arm cap and cushion, or 4¼ yards when specify entire chair in the same fabric. See Order Information in Appendices.

Customers Own Leather (COL) requires 45 square feet for the shell inside and outside, an additional 31½ square feet for the arm cap and cushion, or 76½ yards when specify entire chair in the same leather. See Order Information in Appendices.

## Dimensions



## Specification Information

### Step 1.

**SBRLN** A \$1760

### Step 2. Shell Upholstery

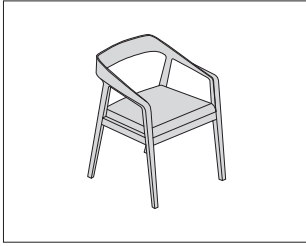
Price Category 1	+\$0
Price Category (Geiger) 2	+\$0
Price Category 2	+\$118
Price Category (Geiger) 3	+\$148
Price Category 3	+\$148
Price Category (Geiger) 4	+\$180
Price Category 4	+\$180
Price Category (Geiger) 5	+\$263
Price Category 5	+\$263
Price Category (Geiger) 6	+\$345
Price Category (Geiger) 7	+\$428
Price Category (Geiger) 8	+\$655
Price Category (Geiger) 9	+\$813
Price Category 9	+\$813
Price Category (Geiger) 10	+\$935
Price Category (Geiger) 11	+\$1048
Price Category 11	+\$1048
Price Category (Geiger) 14	+\$0
Price Category (Geiger) D	+\$175
Price Category (Geiger) E	+\$213
Price Category (Geiger) F	+\$255
Price Category (Geiger) G	+\$348
Price Category (Geiger) H	+\$433
Price Category (Geiger) I	+\$523
Price Category (Geiger) J	+\$613
Price Category (Geiger) K	+\$703
Price Category (Geiger) L	+\$793
Price Category (Geiger) M	+\$883
Price Category (Geiger) O	+\$1063
Price Category (Geiger) P	+\$1150
Price Category (Geiger) Q	+\$1328
Price Category (Geiger) R	+\$1850
Price Category (Geiger) S	+\$1988
Price Category (Geiger) X	+\$2675
Price Category (Geiger) Y	+\$2813
Price Category (Geiger) COL <span style="border: 1px solid black; padding: 0 2px;">A</span>	+\$135
Price Category (Geiger) COM <span style="border: 1px solid black; padding: 0 2px;">A</span>	+\$0
Price Category FF	+\$0

## Bumper Side Chair *continued*

Step 3. Arm Cap and Cushion Upholstery	
Price Category 1	+\$0
Price Category (Geiger) 2	+\$0
Price Category 2	+\$82
Price Category (Geiger) 3	+\$103
Price Category 3	+\$0
Price Category (Geiger) 4	+\$126
Price Category 4	+\$126
Price Category (Geiger) 5	+\$184
Price Category 5	+\$184
Price Category (Geiger) 6	+\$242
Price Category (Geiger) 7	+\$299
Price Category (Geiger) 8	+\$459
Price Category (Geiger) 9	+\$569
Price Category 9	+\$569
Price Category (Geiger) 10	+\$655
Price Category (Geiger) 11	+\$733
Price Category 11	+\$733
Price Category (Geiger) 14	+\$0
Price Category (Geiger) D	+\$123
Price Category (Geiger) E	+\$149
Price Category (Geiger) F	+\$179
Price Category (Geiger) G	+\$243
Price Category (Geiger) H	+\$303
Price Category (Geiger) I	+\$366
Price Category (Geiger) J	+\$429
Price Category (Geiger) K	+\$492
Price Category (Geiger) L	+\$555
Price Category (Geiger) M	+\$618
Price Category (Geiger) O	+\$744
Price Category (Geiger) P	+\$805
Price Category (Geiger) Q	+\$929
Price Category (Geiger) R	+\$1295
Price Category (Geiger) S	+\$1391
Price Category (Geiger) X	+\$1873
Price Category (Geiger) Y	+\$1969
Price Category (Geiger) COM <input type="checkbox"/>	+\$0
Price Category (Geiger) COL <input type="checkbox"/>	+\$306
Step 4. Base Finish	
<b>SAC</b> satin chrome <input type="checkbox"/>	+\$0
Step 5. Fire Retardancy	
<b>NOCAL</b> not fire retardant <input type="checkbox"/>	+\$0
<b>133</b> fire retardant <input type="checkbox"/>	+\$276

# Full Twist™ Guest Chair

SFT1A  
SFT1M  
SFT1N  
SFT1W



### Product Information

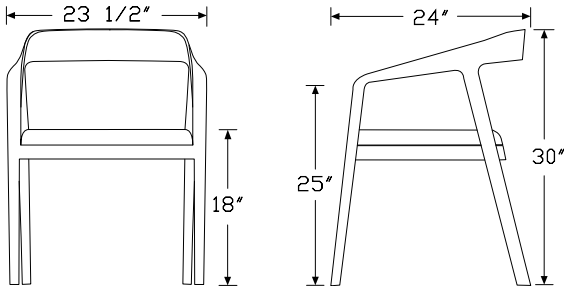
#### Description

This chair has an upholstered seat and a walnut or maple frame.

#### Notes

COM/COL requires 3/4 yard/13 1/2 square feet.

#### Dimensions



### Specification Information

#### Step 1.

**SFT1**  A

#### Step 2. Frame Finish

**M** maple  A

**W** walnut  A

**N** sundance walnut with clear finish  A

**A** ash  A

#### Prices for Steps 1-2.

<b>SFT1M</b>	\$1556
<b>SFT1W</b>	\$2015
<b>SFT1N</b>	\$2195
<b>SFT1A</b>	\$1464

#### Step 3. Upholstery

Price Category (Geiger) 1	+\$29
Price Category 1	+\$0
Price Category (Geiger) 2	+\$0
Price Category 2	+\$35
Price Category (Geiger) 3	+\$44
Price Category 3	+\$44
Price Category (Geiger) 4	+\$54
Price Category 4	+\$54
Price Category (Geiger) 5	+\$79
Price Category 5	+\$79
Price Category (Geiger) 6	+\$104
Price Category (Geiger) 7	+\$128
Price Category (Geiger) 8	+\$197
Price Category (Geiger) 9	+\$244
Price Category 9	+\$244
Price Category (Geiger) 10	+\$281
Price Category (Geiger) 11	+\$314
Price Category (Geiger) 14	+\$412
Price Category (Geiger) A	+\$41
Price Category (Geiger) B	+\$45
Price Category (Geiger) C	+\$49
Price Category (Geiger) D	+\$56
Price Category (Geiger) E	+\$64
Price Category (Geiger) F	+\$71
Price Category (Geiger) G	+\$79
Price Category (Geiger) H	+\$86
Price Category (Geiger) I	+\$157
Price Category (Geiger) J	+\$98
Price Category (Geiger) K	+\$109
Price Category (Geiger) L	+\$120

Price Category (Geiger) M	+\$135
Price Category (Geiger) N	+\$150
Price Category (Geiger) O	+\$319
Price Category (Geiger) P	+\$165
Price Category (Geiger) Q	+\$450
Price Category (Geiger) R	+\$555
Price Category (Geiger) S	+\$596
Price Category (Geiger) T	+\$638
Price Category (Geiger) U	+\$679
Price Category (Geiger) V	+\$720
Price Category (Geiger) X	+\$803
Price Category (Geiger) Y	+\$844
Price Category COM (Geiger) <span style="border: 1px solid black; padding: 0 2px;">A</span>	+\$0
Price Category COL (Geiger) <span style="border: 1px solid black; padding: 0 2px;">A</span>	+\$54

Step 4. Wood Finish

*For maple (M)*

<b>967</b> smoked paldao, low sheen <span style="border: 1px solid black; padding: 0 2px;">A</span>	+\$0
<b>969</b> warm paldao, low sheen <span style="border: 1px solid black; padding: 0 2px;">A</span>	+\$0

*For maple (M)*

<b>911</b> champagne maple (natural) <span style="border: 1px solid black; padding: 0 2px;">A</span>	+\$0
<b>G2U</b> light brown walnut, low sheen <span style="border: 1px solid black; padding: 0 2px;">A</span>	+\$0
<b>G40</b> dark brown walnut, low sheen <span style="border: 1px solid black; padding: 0 2px;">A</span>	+\$0
<b>940</b> sundance cherry on maple <span style="border: 1px solid black; padding: 0 2px;">A</span>	+\$0
<b>943</b> caramel cherry <span style="border: 1px solid black; padding: 0 2px;">A</span>	+\$0
<b>946</b> cocoa cherry <span style="border: 1px solid black; padding: 0 2px;">A</span>	+\$0
<b>956</b> cocoa sapele <span style="border: 1px solid black; padding: 0 2px;">A</span>	+\$0
<b>962</b> toasted walnut, low sheen <span style="border: 1px solid black; padding: 0 2px;">A</span>	+\$0
<b>963</b> charred walnut, low sheen <span style="border: 1px solid black; padding: 0 2px;">A</span>	+\$0
<b>964</b> bronzed walnut, low sheen <span style="border: 1px solid black; padding: 0 2px;">A</span>	+\$0
<b>965</b> smoked walnut, low sheen <span style="border: 1px solid black; padding: 0 2px;">A</span>	+\$0
<b>966</b> coffee walnut, low sheen <span style="border: 1px solid black; padding: 0 2px;">A</span>	+\$0
<b>98R</b> recograin rosewood <span style="border: 1px solid black; padding: 0 2px;">A</span>	+\$0
<b>99R</b> recograin rosewood <span style="border: 1px solid black; padding: 0 2px;">A</span>	+\$0
<b>99T</b> recograin teak <span style="border: 1px solid black; padding: 0 2px;">A</span>	+\$0
<b>9A1</b> white ash, quarter cut, low sheen <span style="border: 1px solid black; padding: 0 2px;">A</span>	+\$0
<b>9K1</b> rift oak, rift cut, low sheen <span style="border: 1px solid black; padding: 0 2px;">A</span>	+\$0
<b>9K6</b> burnt oak, rift cut, low sheen <span style="border: 1px solid black; padding: 0 2px;">A</span>	+\$0
<b>ED</b> aged cherry <span style="border: 1px solid black; padding: 0 2px;">A</span>	+\$0

*For maple (M)*

<b>662</b> toasted walnut, matte sheen <span style="border: 1px solid black; padding: 0 2px;">A</span>	+\$0
<b>663</b> charred walnut, matte sheen <span style="border: 1px solid black; padding: 0 2px;">A</span>	+\$0
<b>664</b> bronzed walnut, matte sheen <span style="border: 1px solid black; padding: 0 2px;">A</span>	+\$0
<b>665</b> smoked walnut, matte sheen <span style="border: 1px solid black; padding: 0 2px;">A</span>	+\$0
<b>666</b> coffee walnut, matte sheen <span style="border: 1px solid black; padding: 0 2px;">A</span>	+\$0
<b>667</b> smoked paldao, quarter cut, matte sheen <span style="border: 1px solid black; padding: 0 2px;">A</span>	+\$0
<b>669</b> warm paldao, quarter cut, matte sheen <span style="border: 1px solid black; padding: 0 2px;">A</span>	+\$0
<b>68R</b> recograin rosewood <span style="border: 1px solid black; padding: 0 2px;">A</span>	+\$0
<b>69R</b> recograin rosewood <span style="border: 1px solid black; padding: 0 2px;">A</span>	+\$0
<b>69T</b> recograin teak <span style="border: 1px solid black; padding: 0 2px;">A</span>	+\$0
<b>6A1</b> white ash <span style="border: 1px solid black; padding: 0 2px;">A</span>	+\$0
<b>6K1</b> rift oak <span style="border: 1px solid black; padding: 0 2px;">A</span>	+\$0
<b>6K6</b> burnt oak <span style="border: 1px solid black; padding: 0 2px;">A</span>	+\$0
<b>ET</b> clear on ash <span style="border: 1px solid black; padding: 0 2px;">A</span>	+\$0
<b>EU</b> oak on ash <span style="border: 1px solid black; padding: 0 2px;">A</span>	+\$0
<b>EV</b> walnut on ash <span style="border: 1px solid black; padding: 0 2px;">A</span>	+\$0
<b>GOU</b> natural walnut, flat cut, matte sheen <span style="border: 1px solid black; padding: 0 2px;">A</span>	+\$0

*For maple (M)*

<b>66G</b> recograin wenge <span style="border: 1px solid black; padding: 0 2px;">A</span>	+\$0
<b>69G</b> recograin wenge <span style="border: 1px solid black; padding: 0 2px;">A</span>	+\$0

*For maple (M)*

<b>96G</b> wenge recograin, quarter cut, low sheen <span style="border: 1px solid black; padding: 0 2px;">A</span>	+\$0
<b>99G</b> recograin wenge, quarter cut, low sheen <span style="border: 1px solid black; padding: 0 2px;">A</span>	+\$0

*For ash (A)*

<b>967</b> smoked paldao, low sheen <span style="border: 1px solid black; padding: 0 2px;">A</span>	+\$0
<b>969</b> warm paldao, low sheen <span style="border: 1px solid black; padding: 0 2px;">A</span>	+\$0



<i>For ash (A)</i>		
<b>940</b>	sundance cherry on maple <span style="border: 1px solid black; padding: 0 2px;">A</span>	+\$0
<b>943</b>	caramel cherry <span style="border: 1px solid black; padding: 0 2px;">A</span>	+\$0
<b>946</b>	cocoa cherry <span style="border: 1px solid black; padding: 0 2px;">A</span>	+\$0
<b>956</b>	cocoa sapele <span style="border: 1px solid black; padding: 0 2px;">A</span>	+\$0
<b>962</b>	toasted walnut, low sheen <span style="border: 1px solid black; padding: 0 2px;">A</span>	+\$0
<b>963</b>	charred walnut, low sheen <span style="border: 1px solid black; padding: 0 2px;">A</span>	+\$0
<b>964</b>	bronzed walnut, low sheen <span style="border: 1px solid black; padding: 0 2px;">A</span>	+\$0
<b>965</b>	smoked walnut, low sheen <span style="border: 1px solid black; padding: 0 2px;">A</span>	+\$0
<b>966</b>	coffee walnut, low sheen <span style="border: 1px solid black; padding: 0 2px;">A</span>	+\$0
<b>977</b>	chocolate ash, low sheen <span style="border: 1px solid black; padding: 0 2px;">A</span>	+\$0
<b>98R</b>	recograin rosewood <span style="border: 1px solid black; padding: 0 2px;">A</span>	+\$0
<b>991</b>	champagne ash <span style="border: 1px solid black; padding: 0 2px;">A</span>	+\$0
<b>998</b>	ebony ash <span style="border: 1px solid black; padding: 0 2px;">A</span>	+\$0
<b>99A</b>	recograin frosty ash <span style="border: 1px solid black; padding: 0 2px;">A</span>	+\$0
<b>99R</b>	recograin rosewood <span style="border: 1px solid black; padding: 0 2px;">A</span>	+\$0
<b>99T</b>	recograin teak <span style="border: 1px solid black; padding: 0 2px;">A</span>	+\$0
<b>9A1</b>	white ash, quarter cut, low sheen <span style="border: 1px solid black; padding: 0 2px;">A</span>	+\$0
<b>9K1</b>	rift oak, rift cut, low sheen <span style="border: 1px solid black; padding: 0 2px;">A</span>	+\$0
<b>9K6</b>	burnt oak, rift cut, low sheen <span style="border: 1px solid black; padding: 0 2px;">A</span>	+\$0
<b>ED</b>	aged cherry <span style="border: 1px solid black; padding: 0 2px;">A</span>	+\$0
<b>EK</b>	medium red walnut <span style="border: 1px solid black; padding: 0 2px;">A</span>	+\$0
<b>G2U</b>	light brown walnut, low sheen <span style="border: 1px solid black; padding: 0 2px;">A</span>	+\$0
<b>G40</b>	dark brown walnut, low sheen <span style="border: 1px solid black; padding: 0 2px;">A</span>	+\$0
<b>UX</b>	walnut on cherry <span style="border: 1px solid black; padding: 0 2px;">A</span>	+\$0

<i>For ash (A)</i>		
<b>662</b>	toasted walnut, matte sheen <span style="border: 1px solid black; padding: 0 2px;">A</span>	+\$0
<b>663</b>	charred walnut, matte sheen <span style="border: 1px solid black; padding: 0 2px;">A</span>	+\$0
<b>664</b>	bronzed walnut, matte sheen <span style="border: 1px solid black; padding: 0 2px;">A</span>	+\$0
<b>665</b>	smoked walnut, matte sheen <span style="border: 1px solid black; padding: 0 2px;">A</span>	+\$0
<b>666</b>	coffee walnut, matte sheen <span style="border: 1px solid black; padding: 0 2px;">A</span>	+\$0
<b>667</b>	smoked paldao, quarter cut, matte sheen <span style="border: 1px solid black; padding: 0 2px;">A</span>	+\$0
<b>669</b>	warm paldao, quarter cut, matte sheen <span style="border: 1px solid black; padding: 0 2px;">A</span>	+\$0
<b>66A</b>	recograin frosty ash <span style="border: 1px solid black; padding: 0 2px;">A</span>	+\$0
<b>677</b>	chocolate ash, matte sheen <span style="border: 1px solid black; padding: 0 2px;">A</span>	+\$0
<b>68R</b>	recograin rosewood <span style="border: 1px solid black; padding: 0 2px;">A</span>	+\$0
<b>69A</b>	recograin frosty ash <span style="border: 1px solid black; padding: 0 2px;">A</span>	+\$0
<b>69R</b>	recograin rosewood <span style="border: 1px solid black; padding: 0 2px;">A</span>	+\$0
<b>69T</b>	recograin teak <span style="border: 1px solid black; padding: 0 2px;">A</span>	+\$0
<b>6A1</b>	white ash <span style="border: 1px solid black; padding: 0 2px;">A</span>	+\$0
<b>6K1</b>	rift oak <span style="border: 1px solid black; padding: 0 2px;">A</span>	+\$0
<b>6K6</b>	burnt oak <span style="border: 1px solid black; padding: 0 2px;">A</span>	+\$0
<b>ET</b>	clear on ash <span style="border: 1px solid black; padding: 0 2px;">A</span>	+\$0
<b>EU</b>	oak on ash <span style="border: 1px solid black; padding: 0 2px;">A</span>	+\$0
<b>EV</b>	walnut on ash <span style="border: 1px solid black; padding: 0 2px;">A</span>	+\$0
<b>GOU</b>	natural walnut, flat cut, matte sheen <span style="border: 1px solid black; padding: 0 2px;">A</span>	+\$0

<i>For ash (A)</i>		
<b>66G</b>	wenge recograin, quarter cut, matte sheen <span style="border: 1px solid black; padding: 0 2px;">A</span>	+\$0
<b>68W</b>	recograin walnut, flat cut, matte sheen <span style="border: 1px solid black; padding: 0 2px;">A</span>	+\$0
<b>69G</b>	recograin wenge <span style="border: 1px solid black; padding: 0 2px;">A</span>	+\$0
<b>69W</b>	recograin walnut, quarter cut, matte sheen <span style="border: 1px solid black; padding: 0 2px;">A</span>	+\$0

<i>For ash (A)</i>		
<b>96G</b>	wenge recograin, quarter cut, low sheen <span style="border: 1px solid black; padding: 0 2px;">A</span>	+\$0
<b>98W</b>	recograin walnut, flat cut, low sheen <span style="border: 1px solid black; padding: 0 2px;">A</span>	+\$0
<b>99G</b>	recograin wenge, quarter cut, low sheen <span style="border: 1px solid black; padding: 0 2px;">A</span>	+\$0
<b>99W</b>	recograin walnut, quarter cut, low sheen <span style="border: 1px solid black; padding: 0 2px;">A</span>	+\$0

<i>For walnut (W)</i>		
<b>967</b>	smoked paldao, low sheen <span style="border: 1px solid black; padding: 0 2px;">A</span>	+\$0
<b>969</b>	warm paldao, low sheen <span style="border: 1px solid black; padding: 0 2px;">A</span>	+\$0

<i>For walnut (W)</i>		
<b>962</b>	toasted walnut, low sheen <span style="border: 1px solid black; padding: 0 2px;">A</span>	+\$0
<b>963</b>	charred walnut, low sheen <span style="border: 1px solid black; padding: 0 2px;">A</span>	+\$0
<b>964</b>	bronzed walnut, low sheen <span style="border: 1px solid black; padding: 0 2px;">A</span>	+\$0
<b>965</b>	smoked walnut, low sheen <span style="border: 1px solid black; padding: 0 2px;">A</span>	+\$0
<b>966</b>	coffee walnut, low sheen <span style="border: 1px solid black; padding: 0 2px;">A</span>	+\$0
<b>98R</b>	recograin rosewood <span style="border: 1px solid black; padding: 0 2px;">A</span>	+\$0
<b>99R</b>	recograin rosewood <span style="border: 1px solid black; padding: 0 2px;">A</span>	+\$0
<b>EK</b>	medium red walnut <span style="border: 1px solid black; padding: 0 2px;">A</span>	+\$0
<b>G2U</b>	light brown walnut, low sheen <span style="border: 1px solid black; padding: 0 2px;">A</span>	+\$0
<b>G40</b>	dark brown walnut, low sheen <span style="border: 1px solid black; padding: 0 2px;">A</span>	+\$0

<i>For walnut (W)</i>		
<b>662</b>	toasted walnut, matte sheen <span style="border: 1px solid black; padding: 0 2px;">A</span>	+\$0
<b>663</b>	charred walnut, matte sheen <span style="border: 1px solid black; padding: 0 2px;">A</span>	+\$0
<b>664</b>	bronzed walnut, matte sheen <span style="border: 1px solid black; padding: 0 2px;">A</span>	+\$0
<b>665</b>	smoked walnut, matte sheen <span style="border: 1px solid black; padding: 0 2px;">A</span>	+\$0
<b>666</b>	coffee walnut, matte sheen <span style="border: 1px solid black; padding: 0 2px;">A</span>	+\$0
<b>667</b>	smoked paldao, quarter cut, matte sheen <span style="border: 1px solid black; padding: 0 2px;">A</span>	+\$0
<b>669</b>	warm paldao, quarter cut, matte sheen <span style="border: 1px solid black; padding: 0 2px;">A</span>	+\$0
<b>68R</b>	recograin rosewood <span style="border: 1px solid black; padding: 0 2px;">A</span>	+\$0
<b>69R</b>	recograin rosewood <span style="border: 1px solid black; padding: 0 2px;">A</span>	+\$0
<b>GOU</b>	natural walnut, flat cut, matte sheen <span style="border: 1px solid black; padding: 0 2px;">A</span>	+\$0

<i>For walnut (W)</i>		
<b>66G</b>	recograin wenge <span style="border: 1px solid black; padding: 0 2px;">A</span>	+\$0
<b>69G</b>	recograin wenge <span style="border: 1px solid black; padding: 0 2px;">A</span>	+\$0

<i>For walnut (W)</i>		
<b>96G</b>	wenge recograin, quarter cut, low sheen <span style="border: 1px solid black; padding: 0 2px;">A</span>	+\$0
<b>99G</b>	recograin wenge, quarter cut, low sheen <span style="border: 1px solid black; padding: 0 2px;">A</span>	+\$0

Full Twist™ Guest Chair *continued*

Herman Miller Collection—Side & Stacking Chairs

---

*For sundance walnut with clear finish (N)*

<b>972</b>	sundance walnut <input type="checkbox"/> A	+\$0
------------	--	------

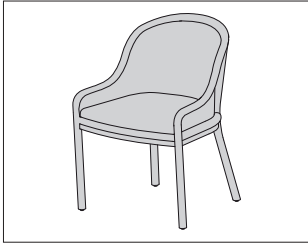
---

Step 5. Fire Retardancy

<b>NOCAL</b>	not fire retardant <input type="checkbox"/> A	+\$0
<b>133</b>	fire retardant <input type="checkbox"/> A	+\$49

# Landmark Low Arm Chair

SBLAC  
SBLAF



### Product Information

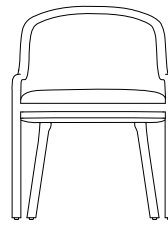
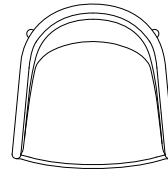
#### Description

This low arm chair has a wood frame carved from solid hardwood. It has a French upholstered seat and back, or a cane seat and back with cushion.

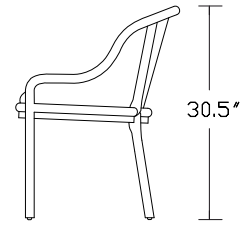
#### Notes

Customers Own Material (COM) requires 2½ yards for the French upholstered seat and back, closed arm (F) and 1 yard for the cane seat and back with cushion (C). Customers Own Leather (COL) requires 45 square feet for the French upholstered seat and back (F) and 20 square feet for the cane seat and back with cushion (C). See Order Information in Appendices.

### Dimensions



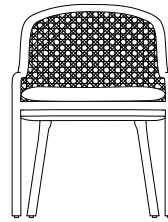
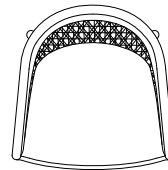
23.13"



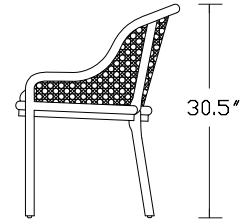
30.5"

23.46"

French upholstered



23.13"



30.5"

23.46"

Cane seat and back

**Specification Information**

Step 1.

**SBLA** A

Step 2. Seat, Back and Arms

**C** cane seat and back with cushion A

**F** french upholstered seat and back, closed arm A

Prices for Steps 1-2.

**SBLAC** \$2570

**SBLAF** \$2570

Step 3. Wood Finish

Premium Veneer - Low Sheen

<b>932</b>	sundance anigre <span style="border: 1px solid black; padding: 0 2px;">A</span>	+\$0
<b>933</b>	caramel anigre <span style="border: 1px solid black; padding: 0 2px;">A</span>	+\$0
<b>934</b>	henna anigre <span style="border: 1px solid black; padding: 0 2px;">A</span>	+\$0
<b>940</b>	sundance cherry on maple <span style="border: 1px solid black; padding: 0 2px;">A</span>	+\$0
<b>943</b>	caramel cherry <span style="border: 1px solid black; padding: 0 2px;">A</span>	+\$0
<b>946</b>	cocoa cherry <span style="border: 1px solid black; padding: 0 2px;">A</span>	+\$0
<b>956</b>	cocoa sapele <span style="border: 1px solid black; padding: 0 2px;">A</span>	+\$0
<b>962</b>	toasted walnut, low sheen <span style="border: 1px solid black; padding: 0 2px;">A</span>	+\$0
<b>963</b>	charred walnut, low sheen <span style="border: 1px solid black; padding: 0 2px;">A</span>	+\$0
<b>964</b>	bronzed walnut, low sheen <span style="border: 1px solid black; padding: 0 2px;">A</span>	+\$0
<b>965</b>	smoked walnut, low sheen <span style="border: 1px solid black; padding: 0 2px;">A</span>	+\$0
<b>966</b>	coffee walnut, low sheen <span style="border: 1px solid black; padding: 0 2px;">A</span>	+\$0
<b>967</b>	smoked paldao, low sheen <span style="border: 1px solid black; padding: 0 2px;">A</span>	+\$0
<b>969</b>	warm paldao, low sheen <span style="border: 1px solid black; padding: 0 2px;">A</span>	+\$0
<b>977</b>	chocolate ash, low sheen <span style="border: 1px solid black; padding: 0 2px;">A</span>	+\$0
<b>98R</b>	recograin rosewood <span style="border: 1px solid black; padding: 0 2px;">A</span>	+\$0
<b>991</b>	champagne ash <span style="border: 1px solid black; padding: 0 2px;">A</span>	+\$0
<b>998</b>	ebony ash <span style="border: 1px solid black; padding: 0 2px;">A</span>	+\$0
<b>99A</b>	recograin frosty ash <span style="border: 1px solid black; padding: 0 2px;">A</span>	+\$0
<b>99R</b>	recograin rosewood <span style="border: 1px solid black; padding: 0 2px;">A</span>	+\$0
<b>99T</b>	recograin teak <span style="border: 1px solid black; padding: 0 2px;">A</span>	+\$0
<b>9A1</b>	white ash, quarter cut, low sheen <span style="border: 1px solid black; padding: 0 2px;">A</span>	+\$0
<b>9K1</b>	rift oak, rift cut, low sheen <span style="border: 1px solid black; padding: 0 2px;">A</span>	+\$0
<b>9K6</b>	burnt oak, rift cut, low sheen <span style="border: 1px solid black; padding: 0 2px;">A</span>	+\$0
<b>ED</b>	aged cherry <span style="border: 1px solid black; padding: 0 2px;">A</span>	+\$0
<b>EK</b>	medium red walnut <span style="border: 1px solid black; padding: 0 2px;">A</span>	+\$0
<b>G2U</b>	light brown walnut, low sheen <span style="border: 1px solid black; padding: 0 2px;">A</span>	+\$0
<b>G40</b>	dark brown walnut, low sheen <span style="border: 1px solid black; padding: 0 2px;">A</span>	+\$0
<b>UX</b>	walnut on cherry <span style="border: 1px solid black; padding: 0 2px;">A</span>	+\$0

Premium Veneer - Matte

<b>662</b>	toasted walnut, matte sheen <span style="border: 1px solid black; padding: 0 2px;">A</span>	+\$0
<b>663</b>	charred walnut, matte sheen <span style="border: 1px solid black; padding: 0 2px;">A</span>	+\$0
<b>664</b>	bronzed walnut, matte sheen <span style="border: 1px solid black; padding: 0 2px;">A</span>	+\$0
<b>665</b>	smoked walnut, matte sheen <span style="border: 1px solid black; padding: 0 2px;">A</span>	+\$0
<b>666</b>	coffee walnut, matte sheen <span style="border: 1px solid black; padding: 0 2px;">A</span>	+\$0
<b>667</b>	smoked paldao, quarter cut, matte sheen <span style="border: 1px solid black; padding: 0 2px;">A</span>	+\$0
<b>669</b>	warm paldao, quarter cut, matte sheen <span style="border: 1px solid black; padding: 0 2px;">A</span>	+\$0
<b>66A</b>	recograin frosty ash <span style="border: 1px solid black; padding: 0 2px;">A</span>	+\$0
<b>677</b>	chocolate ash, matte sheen <span style="border: 1px solid black; padding: 0 2px;">A</span>	+\$0
<b>68R</b>	recograin rosewood <span style="border: 1px solid black; padding: 0 2px;">A</span>	+\$0
<b>69A</b>	recograin frosty ash <span style="border: 1px solid black; padding: 0 2px;">A</span>	+\$0
<b>69R</b>	recograin rosewood <span style="border: 1px solid black; padding: 0 2px;">A</span>	+\$0
<b>69T</b>	recograin teak <span style="border: 1px solid black; padding: 0 2px;">A</span>	+\$0
<b>6A1</b>	white ash <span style="border: 1px solid black; padding: 0 2px;">A</span>	+\$0
<b>6K1</b>	rift oak <span style="border: 1px solid black; padding: 0 2px;">A</span>	+\$0
<b>6K6</b>	burnt oak <span style="border: 1px solid black; padding: 0 2px;">A</span>	+\$0
<b>ET</b>	clear on ash <span style="border: 1px solid black; padding: 0 2px;">A</span>	+\$0
<b>EU</b>	oak on ash <span style="border: 1px solid black; padding: 0 2px;">A</span>	+\$0
<b>EV</b>	walnut on ash <span style="border: 1px solid black; padding: 0 2px;">A</span>	+\$0
<b>GOU</b>	natural walnut, flat cut, matte sheen <span style="border: 1px solid black; padding: 0 2px;">A</span>	+\$0

RecoGrain Veneer

<b>66G</b>	recograin wenge <span style="border: 1px solid black; padding: 0 2px;">A</span>	+\$0
<b>68W</b>	recograin walnut, flat cut, matte sheen <span style="border: 1px solid black; padding: 0 2px;">A</span>	+\$0
<b>69G</b>	recograin wenge <span style="border: 1px solid black; padding: 0 2px;">A</span>	+\$0
<b>69W</b>	recograin walnut, quarter cut, matte sheen <span style="border: 1px solid black; padding: 0 2px;">A</span>	+\$0

Recon Veneer -

<b>96G</b>	wenge recograin, quarter cut, low sheen <span style="border: 1px solid black; padding: 0 2px;">A</span>	+\$0
<b>98W</b>	recograin walnut, flat cut, low sheen <span style="border: 1px solid black; padding: 0 2px;">A</span>	+\$0
<b>99G</b>	recograin wenge, quarter cut, low sheen <span style="border: 1px solid black; padding: 0 2px;">A</span>	+\$0
<b>99W</b>	recograin walnut, quarter cut, low sheen <span style="border: 1px solid black; padding: 0 2px;">A</span>	+\$0

Step 4. Upholstery

	<b>C</b>	<b>F</b>
Price Category 1	+\$0	0
Price Category (Geiger) 2	+\$47	0
Price Category 2	+\$47	118
Price Category (Geiger) 3	+\$59	148
Price Category 3	+\$59	148
Price Category (Geiger) 4	+\$72	180
Price Category 4	+\$72	180
Price Category (Geiger) 5	+\$105	263
Price Category 5	+\$105	263
Price Category (Geiger) 6	+\$138	345
Price Category (Geiger) 7	+\$171	428

Landmark Low Arm Chair *continued*

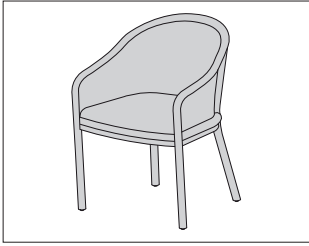
Price Category (Geiger) 8	+\$262	655
Price Category (Geiger) 9	+\$325	813
Price Category 9	+\$325	813
Price Category (Geiger) 10	+\$374	935
Price Category (Geiger) 11	+\$419	1048
Price Category (Geiger) 14	+\$549	1373
Price Category (Geiger) D	+\$70	175
Price Category (Geiger) E	+\$85	213
Price Category (Geiger) F	+\$102	255
Price Category (Geiger) G	+\$139	348
Price Category (Geiger) H	+\$173	433
Price Category (Geiger) I	+\$209	523
Price Category (Geiger) J	+\$245	613
Price Category (Geiger) K	+\$281	703
Price Category (Geiger) L	+\$317	793
Price Category (Geiger) M	+\$353	883
Price Category (Geiger) N	+\$389	973
Price Category (Geiger) O	+\$425	1063
Price Category (Geiger) P	+\$460	1150
Price Category (Geiger) Q	+\$531	1328
Price Category (Geiger) R	+\$740	1850
Price Category (Geiger) S	+\$795	1988
Price Category (Geiger) T	+\$850	2125
Price Category (Geiger) U	+\$905	2263
Price Category (Geiger) V	+\$960	2400
Price Category (Geiger) X	+\$1070	2675
Price Category (Geiger) Y	+\$1125	2813
Price Category (Geiger) COM <input type="checkbox"/> A	+\$0	0
Price Category (Geiger) COL <input type="checkbox"/> A	+\$72	180

Step 5. Fire Retardancy

	C	F
<b>NOCAL</b> no cal-133 required <input type="checkbox"/> A	+\$0	0
<b>133</b> cal-133 required <input type="checkbox"/> A	+\$65	163

# Landmark Chair

SBLLC  
SBLLF



HermanMiller Collection—Side & Stacking Chairs

### Product Information

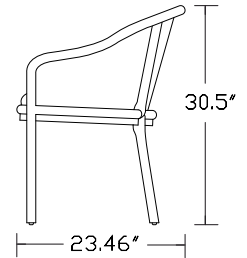
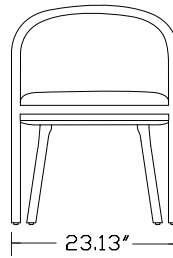
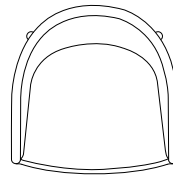
#### Description

This chair has a wood frame carved from solid hardwood. It has a French upholstered seat and back, or a cane seat and back with cushion.

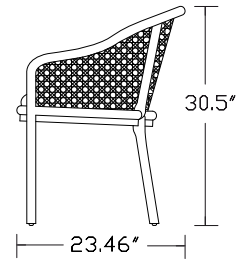
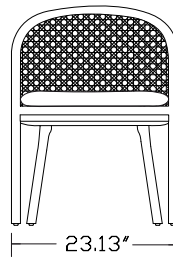
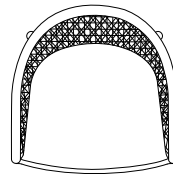
#### Notes

Customers Own Material (COM) requires 2½ yards for the French upholstered seat and back, closed arm (F) and 1 yard for the cane seat and back with cushion (C). Customers Own Leather (COL) requires 45 square feet for the French upholstered seat and back (F) and 20 square feet for the cane seat and back with cushion (C). See Order Information in Appendices.

### Dimensions



French upholstered



Cane seat and back

**Specification Information**

Step 1.

**SBL** A

Step 2. Seat, Back and Arms

**C** cane seat and back with cushion A

**F** french upholstered seat and back, closed arm A

Prices for Steps 1-2.

**SBL** \$2493

**SBL** \$2493

Step 3. Wood Finish

Premium Veneer - Low Sheen

<b>932</b>	sundance anigre <span style="border: 1px solid black; padding: 0 2px;">A</span>	+\$0
<b>933</b>	caramel anigre <span style="border: 1px solid black; padding: 0 2px;">A</span>	+\$0
<b>934</b>	henna anigre <span style="border: 1px solid black; padding: 0 2px;">A</span>	+\$0
<b>940</b>	sundance cherry on maple <span style="border: 1px solid black; padding: 0 2px;">A</span>	+\$0
<b>943</b>	caramel cherry <span style="border: 1px solid black; padding: 0 2px;">A</span>	+\$0
<b>946</b>	cocoa cherry <span style="border: 1px solid black; padding: 0 2px;">A</span>	+\$0
<b>956</b>	cocoa sapele <span style="border: 1px solid black; padding: 0 2px;">A</span>	+\$0
<b>962</b>	toasted walnut, low sheen <span style="border: 1px solid black; padding: 0 2px;">A</span>	+\$0
<b>963</b>	charred walnut, low sheen <span style="border: 1px solid black; padding: 0 2px;">A</span>	+\$0
<b>964</b>	bronzed walnut, low sheen <span style="border: 1px solid black; padding: 0 2px;">A</span>	+\$0
<b>965</b>	smoked walnut, low sheen <span style="border: 1px solid black; padding: 0 2px;">A</span>	+\$0
<b>966</b>	coffee walnut, low sheen <span style="border: 1px solid black; padding: 0 2px;">A</span>	+\$0
<b>967</b>	smoked paldao, low sheen <span style="border: 1px solid black; padding: 0 2px;">A</span>	+\$0
<b>969</b>	warm paldao, low sheen <span style="border: 1px solid black; padding: 0 2px;">A</span>	+\$0
<b>977</b>	chocolate ash, low sheen <span style="border: 1px solid black; padding: 0 2px;">A</span>	+\$0
<b>98R</b>	recograin rosewood <span style="border: 1px solid black; padding: 0 2px;">A</span>	+\$0
<b>991</b>	champagne ash <span style="border: 1px solid black; padding: 0 2px;">A</span>	+\$0
<b>998</b>	ebony ash <span style="border: 1px solid black; padding: 0 2px;">A</span>	+\$0
<b>99A</b>	recograin frosty ash <span style="border: 1px solid black; padding: 0 2px;">A</span>	+\$0
<b>99R</b>	recograin rosewood <span style="border: 1px solid black; padding: 0 2px;">A</span>	+\$0
<b>99T</b>	recograin teak <span style="border: 1px solid black; padding: 0 2px;">A</span>	+\$0
<b>9A1</b>	white ash, quarter cut, low sheen <span style="border: 1px solid black; padding: 0 2px;">A</span>	+\$0
<b>9K1</b>	rift oak, rift cut, low sheen <span style="border: 1px solid black; padding: 0 2px;">A</span>	+\$0
<b>9K6</b>	burnt oak, rift cut, low sheen <span style="border: 1px solid black; padding: 0 2px;">A</span>	+\$0
<b>ED</b>	aged cherry <span style="border: 1px solid black; padding: 0 2px;">A</span>	+\$0
<b>EK</b>	medium red walnut <span style="border: 1px solid black; padding: 0 2px;">A</span>	+\$0
<b>G2U</b>	light brown walnut, low sheen <span style="border: 1px solid black; padding: 0 2px;">A</span>	+\$0
<b>G40</b>	dark brown walnut, low sheen <span style="border: 1px solid black; padding: 0 2px;">A</span>	+\$0
<b>UX</b>	walnut on cherry <span style="border: 1px solid black; padding: 0 2px;">A</span>	+\$0

Premium Veneer - Matte

<b>662</b>	toasted walnut, matte sheen <span style="border: 1px solid black; padding: 0 2px;">A</span>	+\$0
<b>663</b>	charred walnut, matte sheen <span style="border: 1px solid black; padding: 0 2px;">A</span>	+\$0
<b>664</b>	bronzed walnut, matte sheen <span style="border: 1px solid black; padding: 0 2px;">A</span>	+\$0
<b>665</b>	smoked walnut, matte sheen <span style="border: 1px solid black; padding: 0 2px;">A</span>	+\$0
<b>666</b>	coffee walnut, matte sheen <span style="border: 1px solid black; padding: 0 2px;">A</span>	+\$0
<b>667</b>	smoked paldao, quarter cut, matte sheen <span style="border: 1px solid black; padding: 0 2px;">A</span>	+\$0
<b>669</b>	warm paldao, quarter cut, matte sheen <span style="border: 1px solid black; padding: 0 2px;">A</span>	+\$0
<b>66A</b>	recograin frosty ash <span style="border: 1px solid black; padding: 0 2px;">A</span>	+\$0
<b>677</b>	chocolate ash, flat cut, matte sheen <span style="border: 1px solid black; padding: 0 2px;">A</span>	+\$0
<b>68R</b>	recograin rosewood <span style="border: 1px solid black; padding: 0 2px;">A</span>	+\$0
<b>69A</b>	recograin frosty ash <span style="border: 1px solid black; padding: 0 2px;">A</span>	+\$0
<b>69R</b>	recograin rosewood <span style="border: 1px solid black; padding: 0 2px;">A</span>	+\$0
<b>69T</b>	recograin teak <span style="border: 1px solid black; padding: 0 2px;">A</span>	+\$0
<b>6A1</b>	white ash <span style="border: 1px solid black; padding: 0 2px;">A</span>	+\$0
<b>6K1</b>	rift oak <span style="border: 1px solid black; padding: 0 2px;">A</span>	+\$0
<b>6K6</b>	burnt oak <span style="border: 1px solid black; padding: 0 2px;">A</span>	+\$0
<b>ET</b>	clear on ash <span style="border: 1px solid black; padding: 0 2px;">A</span>	+\$0
<b>EU</b>	oak on ash <span style="border: 1px solid black; padding: 0 2px;">A</span>	+\$0
<b>EV</b>	walnut on ash <span style="border: 1px solid black; padding: 0 2px;">A</span>	+\$0
<b>GOU</b>	natural walnut, flat cut, matte sheen <span style="border: 1px solid black; padding: 0 2px;">A</span>	+\$0

RecoGrain Veneer

<b>66G</b>	recograin wenge <span style="border: 1px solid black; padding: 0 2px;">A</span>	+\$0
<b>68W</b>	recograin walnut, flat cut, matte sheen <span style="border: 1px solid black; padding: 0 2px;">A</span>	+\$0
<b>69G</b>	recograin wenge <span style="border: 1px solid black; padding: 0 2px;">A</span>	+\$0
<b>69W</b>	recograin walnut, quarter cut, matte sheen <span style="border: 1px solid black; padding: 0 2px;">A</span>	+\$0

Recon Veneer -

<b>96G</b>	wenge recograin, quarter cut, low sheen <span style="border: 1px solid black; padding: 0 2px;">A</span>	+\$0
<b>98W</b>	recograin walnut, flat cut, low sheen <span style="border: 1px solid black; padding: 0 2px;">A</span>	+\$0
<b>99G</b>	recograin wenge, quarter cut, low sheen <span style="border: 1px solid black; padding: 0 2px;">A</span>	+\$0
<b>99W</b>	recograin walnut, quarter cut, low sheen <span style="border: 1px solid black; padding: 0 2px;">A</span>	+\$0

Step 4. Upholstery

	<b>C</b>	<b>F</b>
Price Category 1	+\$0	0
Price Category (Geiger) 2	+\$47	0
Price Category 2	+\$47	118
Price Category (Geiger) 3	+\$59	148
Price Category 3	+\$59	148
Price Category (Geiger) 4	+\$72	180
Price Category 4	+\$72	180
Price Category (Geiger) 5	+\$105	263
Price Category 5	+\$105	263
Price Category (Geiger) 6	+\$138	345
Price Category (Geiger) 7	+\$171	428

# Landmark Chair *continued*

HermanMiller Collection—Side & Stacking Chairs

Price Category (Geiger) 8	+\$262	655
Price Category (Geiger) 9	+\$325	813
Price Category 9	+\$325	813
Price Category (Geiger) 10	+\$374	935
Price Category (Geiger) 11	+\$419	1048
Price Category (Geiger) 14	+\$549	1373
Price Category (Geiger) D	+\$70	175
Price Category (Geiger) E	+\$85	213
Price Category (Geiger) F	+\$102	255
Price Category (Geiger) G	+\$139	348
Price Category (Geiger) H	+\$173	433
Price Category (Geiger) I	+\$209	523
Price Category (Geiger) J	+\$245	613
Price Category (Geiger) K	+\$281	703
Price Category (Geiger) L	+\$317	793
Price Category (Geiger) M	+\$353	883
Price Category (Geiger) N	+\$389	973
Price Category (Geiger) O	+\$425	1063
Price Category (Geiger) P	+\$460	1150
Price Category (Geiger) Q	+\$531	1328
Price Category (Geiger) R	+\$740	1850
Price Category (Geiger) S	+\$795	1988
Price Category (Geiger) T	+\$850	2125
Price Category (Geiger) U	+\$905	2263
Price Category (Geiger) V	+\$960	2400
Price Category (Geiger) X	+\$1070	2675
Price Category (Geiger) Y	+\$1125	2813
Price Category (Geiger) COM <input type="checkbox"/>	+\$0	0
Price Category (Geiger) COL <input type="checkbox"/>	+\$72	180

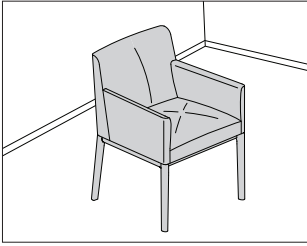
## Step 5. Fire Retardancy

	C	F
<b>NOCAL</b> no cal-133 required <input type="checkbox"/>	+\$0	0
<b>133</b> cal-133 required <input type="checkbox"/>	+\$65	163



# Nessel Chair

SNS1A  
 SNS1W  
 SNS2A  
 SNS2W



## Product Information

### Description

This side chair has a solid wood frame with cushions made of polyfoam and DACRON®. It is available with or without arms. Fire retardant chair meets CAL 133 requirements.

### Notes

Customer's Own Material (COM)/Customer's Own Leather (COL) requires the following:

Type—COM—COL

SNS2W (seat border and outside back)—1 yard—18 square feet

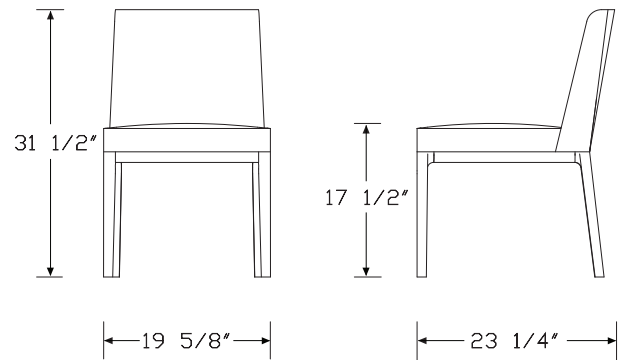
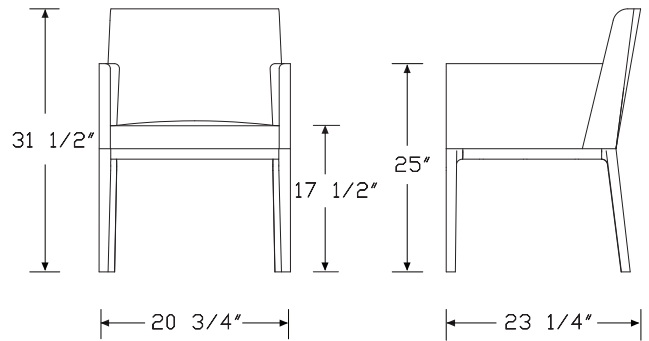
SNS2W (seat cushion top and inside chair back)—1 yard—18 square feet

SNS1W (seat border and outside back)— $\frac{3}{4}$  yard— $13\frac{1}{2}$  square feet

SNS1W (seat cushion top and inside chair back)— $\frac{3}{4}$  yard— $13\frac{1}{2}$  square feet

See Order Information in Appendices for more information.

## Dimensions



**Specification Information**

Step 1.

**SNS** A

Step 2. Frame Finish

- 1A** armless - ash A
- 1W** armless - walnut A
- 2A** arm - ash A
- 2W** arm - walnut A

Prices for Steps 1-2.

<b>SNS1A</b>	\$1280
<b>SNS1W</b>	\$1387
<b>SNS2A</b>	\$1633
<b>SNS2W</b>	\$1740

Step 3. Wood Finish

*For armless - ash (1A) or arm - ash (2A)*

<b>66G</b> recograin wenge <span style="border: 1px solid black; padding: 0 2px;">A</span>	+\$0
<b>68W</b> recograin walnut, flat cut, matte sheen <span style="border: 1px solid black; padding: 0 2px;">A</span>	+\$0
<b>69G</b> recograin wenge <span style="border: 1px solid black; padding: 0 2px;">A</span>	+\$0
<b>69W</b> recograin walnut, quarter cut, matte sheen <span style="border: 1px solid black; padding: 0 2px;">A</span>	+\$0

*For armless - ash (1A) or arm - ash (2A)*

<b>98W</b> recograin walnut, flat cut, low sheen <span style="border: 1px solid black; padding: 0 2px;">A</span>	+\$0
<b>99G</b> recograin wenge, quarter cut, low sheen <span style="border: 1px solid black; padding: 0 2px;">A</span>	+\$0
<b>99W</b> recograin walnut, quarter cut, low sheen <span style="border: 1px solid black; padding: 0 2px;">A</span>	+\$0

Low Sheen Finishes (on Ash)

*For armless - ash (1A) or arm - ash (2A)*

<b>967</b> smoked paldao, low sheen <span style="border: 1px solid black; padding: 0 2px;">A</span>	+\$0
<b>969</b> warm paldao, low sheen <span style="border: 1px solid black; padding: 0 2px;">A</span>	+\$0

Low Sheen Finishes (on Ash)

*For armless - ash (1A) or arm - ash (2A)*

<b>940</b> sundance cherry on maple <span style="border: 1px solid black; padding: 0 2px;">A</span>	+\$0
<b>962</b> toasted walnut, low sheen <span style="border: 1px solid black; padding: 0 2px;">A</span>	+\$0
<b>963</b> charred walnut, low sheen <span style="border: 1px solid black; padding: 0 2px;">A</span>	+\$0
<b>964</b> bronzed walnut, low sheen <span style="border: 1px solid black; padding: 0 2px;">A</span>	+\$0
<b>965</b> smoked walnut, low sheen <span style="border: 1px solid black; padding: 0 2px;">A</span>	+\$0
<b>966</b> coffee walnut, low sheen <span style="border: 1px solid black; padding: 0 2px;">A</span>	+\$0
<b>977</b> chocolate ash, low sheen <span style="border: 1px solid black; padding: 0 2px;">A</span>	+\$0
<b>98R</b> recograin rosewood <span style="border: 1px solid black; padding: 0 2px;">A</span>	+\$0
<b>99A</b> recograin frosty ash <span style="border: 1px solid black; padding: 0 2px;">A</span>	+\$0
<b>99R</b> recograin rosewood <span style="border: 1px solid black; padding: 0 2px;">A</span>	+\$0
<b>99T</b> recograin teak <span style="border: 1px solid black; padding: 0 2px;">A</span>	+\$0
<b>9A1</b> white ash, quarter cut, low sheen <span style="border: 1px solid black; padding: 0 2px;">A</span>	+\$0
<b>9K1</b> rift oak, rift cut, low sheen <span style="border: 1px solid black; padding: 0 2px;">A</span>	+\$0
<b>9K6</b> burnt oak, rift cut, low sheen <span style="border: 1px solid black; padding: 0 2px;">A</span>	+\$0
<b>EK</b> medium red walnut <span style="border: 1px solid black; padding: 0 2px;">A</span>	+\$0
<b>G2U</b> light brown walnut, low sheen <span style="border: 1px solid black; padding: 0 2px;">A</span>	+\$0
<b>G40</b> dark brown walnut, low sheen <span style="border: 1px solid black; padding: 0 2px;">A</span>	+\$0
<b>UX</b> walnut on cherry, flat cut, low sheen <span style="border: 1px solid black; padding: 0 2px;">A</span>	+\$0
<b>943</b> caramel cherry <span style="border: 1px solid black; padding: 0 2px;">A</span>	+\$0
<b>946</b> cocoa cherry <span style="border: 1px solid black; padding: 0 2px;">A</span>	+\$0
<b>956</b> cocoa sapele <span style="border: 1px solid black; padding: 0 2px;">A</span>	+\$0
<b>991</b> champagne ash <span style="border: 1px solid black; padding: 0 2px;">A</span>	+\$0
<b>998</b> ebony ash <span style="border: 1px solid black; padding: 0 2px;">A</span>	+\$0
<b>ED</b> aged cherry <span style="border: 1px solid black; padding: 0 2px;">A</span>	+\$0

Matte Sheen Finishes (on Ash)

*For armless - ash (1A) or arm - ash (2A)*

<b>667</b> smoked paldao, quarter cut, matte sheen <span style="border: 1px solid black; padding: 0 2px;">A</span>	+\$0
<b>669</b> warm paldao, quarter cut, matte sheen <span style="border: 1px solid black; padding: 0 2px;">A</span>	+\$0
<b>66A</b> frosty ash recograin, quarter cut, matte sheen <span style="border: 1px solid black; padding: 0 2px;">A</span>	+\$0
<b>677</b> chocolate ash, matte sheen <span style="border: 1px solid black; padding: 0 2px;">A</span>	+\$0
<b>68R</b> recograin rosewood <span style="border: 1px solid black; padding: 0 2px;">A</span>	+\$0
<b>69A</b> recograin frosty ash <span style="border: 1px solid black; padding: 0 2px;">A</span>	+\$0
<b>69R</b> recograin rosewood <span style="border: 1px solid black; padding: 0 2px;">A</span>	+\$0
<b>69T</b> recograin teak <span style="border: 1px solid black; padding: 0 2px;">A</span>	+\$0
<b>6K1</b> rift oak <span style="border: 1px solid black; padding: 0 2px;">A</span>	+\$0
<b>ET</b> clear on ash <span style="border: 1px solid black; padding: 0 2px;">A</span>	+\$0
<b>EU</b> oak on ash <span style="border: 1px solid black; padding: 0 2px;">A</span>	+\$0
<b>EV</b> walnut on ash <span style="border: 1px solid black; padding: 0 2px;">A</span>	+\$0
<b>GOU</b> natural walnut, flat cut, matte sheen <span style="border: 1px solid black; padding: 0 2px;">A</span>	+\$0
<b>6A1</b> white ash <span style="border: 1px solid black; padding: 0 2px;">A</span>	+\$0
<b>6K6</b> burnt oak <span style="border: 1px solid black; padding: 0 2px;">A</span>	+\$0

<i>For armless - walnut (1W) or arm - walnut (2W)</i>		
<b>967</b>	smoked paldao, low sheen <span style="border: 1px solid black; padding: 0 2px;">A</span>	+\$0
<b>969</b>	warm paldao, low sheen <span style="border: 1px solid black; padding: 0 2px;">A</span>	+\$0

<i>For armless - walnut (1W) or arm - walnut (2W)</i>		
<b>662</b>	toasted walnut, matte sheen <span style="border: 1px solid black; padding: 0 2px;">A</span>	+\$0
<b>663</b>	charred walnut, matte sheen <span style="border: 1px solid black; padding: 0 2px;">A</span>	+\$0
<b>664</b>	bronzed walnut, matte sheen <span style="border: 1px solid black; padding: 0 2px;">A</span>	+\$0
<b>665</b>	smoked walnut, matte sheen <span style="border: 1px solid black; padding: 0 2px;">A</span>	+\$0
<b>666</b>	coffee walnut, matte sheen <span style="border: 1px solid black; padding: 0 2px;">A</span>	+\$0
<b>68R</b>	recograin rosewood <span style="border: 1px solid black; padding: 0 2px;">A</span>	+\$0
<b>69R</b>	recograin rosewood <span style="border: 1px solid black; padding: 0 2px;">A</span>	+\$0
<b>GOU</b>	natural walnut, flat cut, matte sheen <span style="border: 1px solid black; padding: 0 2px;">A</span>	+\$0

<i>For armless - walnut (1W) or arm - walnut (2W)</i>		
<b>96G</b>	wenge recograin, quarter cut, low sheen <span style="border: 1px solid black; padding: 0 2px;">A</span>	+\$0
<b>99G</b>	recograin wenge, quarter cut, low sheen <span style="border: 1px solid black; padding: 0 2px;">A</span>	+\$0

<i>For armless - walnut (1W) or arm - walnut (2W)</i>		
<b>66G</b>	recograin wenge <span style="border: 1px solid black; padding: 0 2px;">A</span>	+\$0
<b>69G</b>	recograin wenge <span style="border: 1px solid black; padding: 0 2px;">A</span>	+\$0

Low Sheen Finishes (on Walnut)

<i>For armless - walnut (1W) or arm - walnut (2W)</i>		
<b>962</b>	toasted walnut, low sheen <span style="border: 1px solid black; padding: 0 2px;">A</span>	+\$0
<b>963</b>	charred walnut, low sheen <span style="border: 1px solid black; padding: 0 2px;">A</span>	+\$0
<b>964</b>	bronzed walnut, low sheen <span style="border: 1px solid black; padding: 0 2px;">A</span>	+\$0
<b>965</b>	smoked walnut, low sheen <span style="border: 1px solid black; padding: 0 2px;">A</span>	+\$0
<b>966</b>	coffee walnut, low sheen <span style="border: 1px solid black; padding: 0 2px;">A</span>	+\$0
<b>972</b>	sundance walnut <span style="border: 1px solid black; padding: 0 2px;">A</span>	+\$0
<b>98R</b>	recograin rosewood <span style="border: 1px solid black; padding: 0 2px;">A</span>	+\$0
<b>99R</b>	recograin rosewood <span style="border: 1px solid black; padding: 0 2px;">A</span>	+\$0
<b>G2U</b>	light brown walnut, low sheen <span style="border: 1px solid black; padding: 0 2px;">A</span>	+\$0
<b>G40</b>	dark brown walnut, low sheen <span style="border: 1px solid black; padding: 0 2px;">A</span>	+\$0
<b>EK</b>	medium red walnut <span style="border: 1px solid black; padding: 0 2px;">A</span>	+\$0

Step 4. Seat Border/Outside Back				
	1A	1W	2A	2W
Price Category (Geiger) COL <span style="border: 1px solid black; padding: 0 2px;">A</span>	+\$0	0	0	0
Price Category (Geiger) COM <span style="border: 1px solid black; padding: 0 2px;">A</span>	+\$0	0	0	0
Price Category 1	+\$0	0	0	0
Price Category (Geiger) 2	+\$0	0	0	0
Price Category 2	+\$35	35	47	47
Price Category (Geiger) 3	+\$44	44	59	59
Price Category 3	+\$44	44	59	59
Price Category (Geiger) 4	+\$54	54	72	72
Price Category (Geiger) 5	+\$79	79	105	105
Price Category 5	+\$79	79	105	105
Price Category (Geiger) 6	+\$104	104	138	138
Price Category (Geiger) 7	+\$128	128	171	171
Price Category 7	+\$128	128	128	128
Price Category (Geiger) 8	+\$197	197	262	262
Price Category 9	+\$244	244	325	325
Price Category (Geiger) 10	+\$281	281	374	374
Price Category (Geiger) 11	+\$314	314	419	419
Price Category 11	+\$314	314	419	419
Price Category (Geiger) D	+\$53	53	70	70
Price Category (Geiger) E	+\$128	128	170	170
Price Category (Geiger) F	+\$77	77	102	102
Price Category (Geiger) G	+\$104	104	139	139
Price Category (Geiger) H	+\$130	130	173	173
Price Category (Geiger) I	+\$157	157	209	209
Price Category (Geiger) J	+\$184	184	245	245
Price Category (Geiger) K	+\$211	211	281	281
Price Category (Geiger) L	+\$238	238	317	317
Price Category (Geiger) M	+\$265	265	353	353

Nessel Chair *continued*

HermanMiller Collection—Side & Stacking Chairs

Step 5. Seat Cushion Top/Inside Back

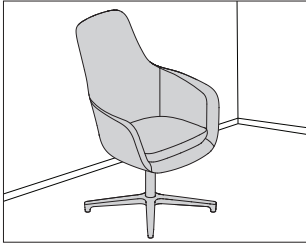
	1A	1W	2A	2W
Price Category (Geiger) COL <input type="checkbox"/> A	+\$0	0	0	0
Price Category (Geiger) COM <input type="checkbox"/> A	+\$0	0	0	0
Price Category 1	+\$0	0	0	0
Price Category (Geiger) 2	+\$0	0	0	0
Price Category 2	+\$35	35	47	47
Price Category (Geiger) 3	+\$44	44	59	59
Price Category 3	+\$44	44	59	59
Price Category (Geiger) 4	+\$54	54	72	72
Price Category (Geiger) 5	+\$79	79	105	105
Price Category 5	+\$79	79	105	105
Price Category (Geiger) 6	+\$104	104	138	138
Price Category (Geiger) 7	+\$128	128	171	171
Price Category 7	+\$128	128	128	128
Price Category (Geiger) 8	+\$197	197	262	262
Price Category 9	+\$244	244	325	325
Price Category (Geiger) 10	+\$281	281	374	374
Price Category (Geiger) 11	+\$314	314	419	419
Price Category 11	+\$314	314	419	419
Price Category (Geiger) D	+\$53	53	70	70
Price Category (Geiger) E	+\$128	128	170	170
Price Category (Geiger) F	+\$77	77	102	102
Price Category (Geiger) G	+\$104	104	139	139
Price Category (Geiger) H	+\$130	130	173	173
Price Category (Geiger) I	+\$157	157	209	209
Price Category (Geiger) J	+\$184	184	245	245
Price Category (Geiger) K	+\$211	211	281	281
Price Category (Geiger) L	+\$238	238	317	317
Price Category (Geiger) M	+\$265	265	353	353

Step 6. Fire Retardancy

	1A	1W	2A	2W
<b>NOCAL</b> no cal-133 required <input type="checkbox"/> A	+\$0	0	0	0
<b>133</b> cal-133 required <input type="checkbox"/> A	+\$49	49	65	65

# Saiba Conference Chair

SBN1H  
SBN1M



### Product Information

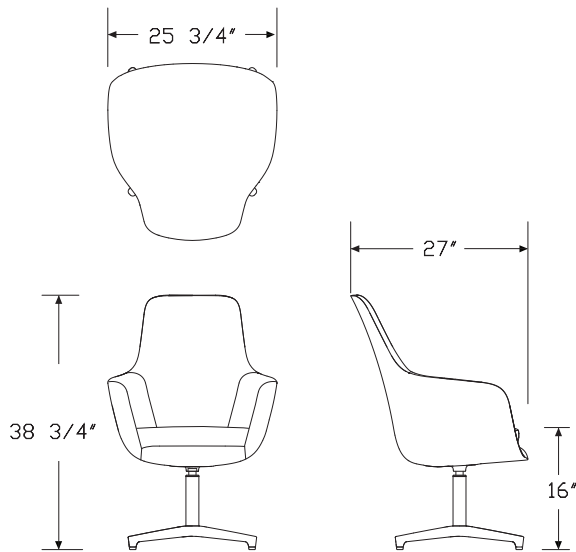
#### Description

This swivel chair has a high back or mid back and a 4-star self-return base with glides. Seat frame is rigid urethane with polyurethane foam. Cushion is high density FR foam.

#### Notes

Customer's Own Material (COM) requires 3 yards for high back (H) or 2<sup>3</sup>/<sub>4</sub> yards for mid back (M). Customer's Own Leather (COL) requires 54 square feet for high back (H) or 49<sup>1</sup>/<sub>2</sub> square feet for mid back (M). See Order Information in appendices.

#### Dimensions



### Specification Information

#### Step 1.

**SBN1**  A

#### Step 2. Back Height

**M** mid back  A

**H** high back  A

#### Prices for Steps 1-2.

<b>SBN1M</b>	\$1750
<b>SBN1H</b>	\$1850

#### Step 3. Upholstery

	M	H
Price Category (Geiger) COM <input type="checkbox"/> A	+\$0	0
Price Category 1	+\$0	0
Price Category (Geiger) 2	+\$0	0
Price Category 2	+\$129	177
Price Category (Geiger) 3	+\$162	177
Price Category (Geiger) 4	+\$198	216
Price Category (Geiger) 5	+\$289	315
Price Category 5	+\$289	315
Price Category (Geiger) 7	+\$470	513
Price Category 9	+\$894	975
Price Category (Geiger) 10	+\$1029	1122
Price Category (Geiger) 11	+\$1152	1257
Price Category 11	+\$1152	1257
Price Category (Geiger) H	+\$476	519

#### Step 4. Base Finish

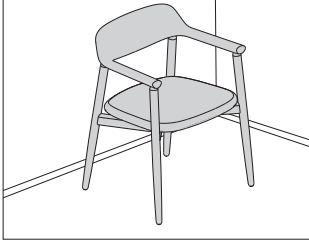
<b>BK</b> black <input type="checkbox"/> A	+\$0
<b>CD</b> polished aluminum <input type="checkbox"/> A	+\$0

#### Step 5. Fire Retardancy

	M	H
<b>NOCAL</b> no cal-133 required <input type="checkbox"/> A	+\$0	0
<b>133</b> cal-133 required <input type="checkbox"/> A	+\$179	195

# Crosshatch Side Chair

SES2A  
SES2W



HermanMiller Collection—Side & Stacking Chairs

## Product Information

### Description

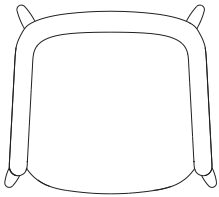
This side chair has a solid wood frame with an upholstered seat. Frame comes in ash or walnut.

### Notes

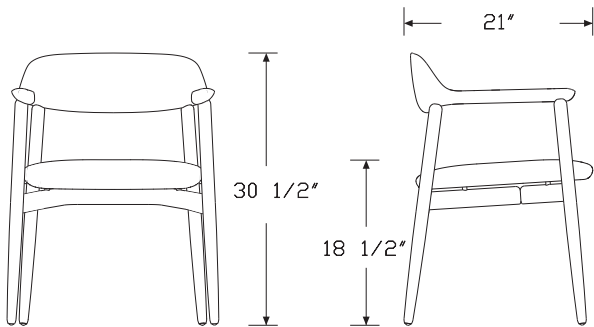
Fire retardant chair meets CAL 133 requirements.

Customer's Own Material (COM) requires 3/4 yards. Customer's Own Leather (COL) requires 13 1/2 square feet. See Order Information in appendices.

## Dimensions



← 23 3/4" →



## Specification Information

### Step 1.

**SES2** A

### Step 2. Frame Finish

**A** ash A

**W** walnut A

### Prices for Steps 1-2.

**SES2A** \$1485

**SES2W** \$2035

### Step 3. Wood Finish

#### RecoGrain Veneer

##### For ash (A)

**66G** recograin wenge A +\$0

**68W** recograin walnut, flat cut, matte sheen A +\$0

**69G** recograin wenge A +\$0

**69W** recograin walnut, quarter cut, matte sheen A +\$0

#### Recon Veneer -

##### For ash (A)

**98W** recograin walnut, flat cut, low sheen A +\$0

**99G** recograin wenge, quarter cut, low sheen A +\$0

**99W** recograin walnut, quarter cut, low sheen A +\$0

#### Low Sheen Finishes (on Ash)

##### For ash (A)

**967** smoked paldao, low sheen A +\$0

**969** warm paldao, low sheen A +\$0

Low Sheen Finishes (on Ash)

*For ash (A)*

<b>940</b>	sundance cherry on maple <span style="border: 1px solid black; padding: 0 2px;">A</span>	+\$0
<b>962</b>	toasted walnut, low sheen <span style="border: 1px solid black; padding: 0 2px;">A</span>	+\$0
<b>963</b>	charred walnut, low sheen <span style="border: 1px solid black; padding: 0 2px;">A</span>	+\$0
<b>964</b>	bronzed walnut, low sheen <span style="border: 1px solid black; padding: 0 2px;">A</span>	+\$0
<b>965</b>	smoked walnut, low sheen <span style="border: 1px solid black; padding: 0 2px;">A</span>	+\$0
<b>966</b>	coffee walnut, low sheen <span style="border: 1px solid black; padding: 0 2px;">A</span>	+\$0
<b>977</b>	chocolate ash, low sheen <span style="border: 1px solid black; padding: 0 2px;">A</span>	+\$0
<b>98R</b>	recograin rosewood <span style="border: 1px solid black; padding: 0 2px;">A</span>	+\$0
<b>99A</b>	recograin frosty ash <span style="border: 1px solid black; padding: 0 2px;">A</span>	+\$0
<b>99R</b>	recograin rosewood <span style="border: 1px solid black; padding: 0 2px;">A</span>	+\$0
<b>99T</b>	recograin teak <span style="border: 1px solid black; padding: 0 2px;">A</span>	+\$0
<b>9A1</b>	white ash, quarter cut, low sheen <span style="border: 1px solid black; padding: 0 2px;">A</span>	+\$0
<b>9K1</b>	rift oak, rift cut, low sheen <span style="border: 1px solid black; padding: 0 2px;">A</span>	+\$0
<b>9K6</b>	burnt oak, rift cut, low sheen <span style="border: 1px solid black; padding: 0 2px;">A</span>	+\$0
<b>EK</b>	medium red walnut <span style="border: 1px solid black; padding: 0 2px;">A</span>	+\$0
<b>G2U</b>	light brown walnut, low sheen <span style="border: 1px solid black; padding: 0 2px;">A</span>	+\$0
<b>G40</b>	dark brown walnut, low sheen <span style="border: 1px solid black; padding: 0 2px;">A</span>	+\$0
<b>UX</b>	walnut on cherry <span style="border: 1px solid black; padding: 0 2px;">A</span>	+\$0
<b>943</b>	caramel cherry <span style="border: 1px solid black; padding: 0 2px;">A</span>	+\$0
<b>946</b>	cocoa cherry <span style="border: 1px solid black; padding: 0 2px;">A</span>	+\$0
<b>956</b>	cocoa sapele <span style="border: 1px solid black; padding: 0 2px;">A</span>	+\$0
<b>991</b>	champagne ash <span style="border: 1px solid black; padding: 0 2px;">A</span>	+\$0
<b>998</b>	ebony ash <span style="border: 1px solid black; padding: 0 2px;">A</span>	+\$0
<b>ED</b>	aged cherry <span style="border: 1px solid black; padding: 0 2px;">A</span>	+\$0

Matte Sheen Finishes (on Ash)

*For ash (A)*

<b>66A</b>	recograin frosty ash <span style="border: 1px solid black; padding: 0 2px;">A</span>	+\$0
<b>677</b>	chocolate ash, matte sheen <span style="border: 1px solid black; padding: 0 2px;">A</span>	+\$0
<b>68R</b>	recograin rosewood <span style="border: 1px solid black; padding: 0 2px;">A</span>	+\$0
<b>69A</b>	recograin frosty ash <span style="border: 1px solid black; padding: 0 2px;">A</span>	+\$0
<b>69R</b>	recograin rosewood <span style="border: 1px solid black; padding: 0 2px;">A</span>	+\$0
<b>69T</b>	recograin teak <span style="border: 1px solid black; padding: 0 2px;">A</span>	+\$0
<b>6K1</b>	rift oak <span style="border: 1px solid black; padding: 0 2px;">A</span>	+\$0
<b>ET</b>	clear on ash <span style="border: 1px solid black; padding: 0 2px;">A</span>	+\$0
<b>EU</b>	oak on ash <span style="border: 1px solid black; padding: 0 2px;">A</span>	+\$0
<b>EV</b>	walnut on ash <span style="border: 1px solid black; padding: 0 2px;">A</span>	+\$0
<b>GOU</b>	natural walnut, flat cut, matte sheen <span style="border: 1px solid black; padding: 0 2px;">A</span>	+\$0
<b>6A1</b>	white ash <span style="border: 1px solid black; padding: 0 2px;">A</span>	+\$0
<b>6K6</b>	burnt oak <span style="border: 1px solid black; padding: 0 2px;">A</span>	+\$0

Anigre Veneer - Low Sheen

*For walnut (W)*

<b>967</b>	smoked paldao, low sheen <span style="border: 1px solid black; padding: 0 2px;">A</span>	+\$0
<b>969</b>	warm paldao, low sheen <span style="border: 1px solid black; padding: 0 2px;">A</span>	+\$0

Premium Veneer - Matte

*For walnut (W)*

<b>662</b>	toasted walnut, matte sheen <span style="border: 1px solid black; padding: 0 2px;">A</span>	+\$0
<b>663</b>	charred walnut, matte sheen <span style="border: 1px solid black; padding: 0 2px;">A</span>	+\$0
<b>664</b>	bronzed walnut, matte sheen <span style="border: 1px solid black; padding: 0 2px;">A</span>	+\$0
<b>665</b>	smoked walnut, matte sheen <span style="border: 1px solid black; padding: 0 2px;">A</span>	+\$0
<b>666</b>	coffee walnut, matte sheen <span style="border: 1px solid black; padding: 0 2px;">A</span>	+\$0
<b>667</b>	smoked paldao, quarter cut, matte sheen <span style="border: 1px solid black; padding: 0 2px;">A</span>	+\$0
<b>669</b>	warm paldao, quarter cut, matte sheen <span style="border: 1px solid black; padding: 0 2px;">A</span>	+\$0
<b>68R</b>	recograin rosewood <span style="border: 1px solid black; padding: 0 2px;">A</span>	+\$0
<b>69R</b>	recograin rosewood <span style="border: 1px solid black; padding: 0 2px;">A</span>	+\$0
<b>GOU</b>	natural walnut, flat cut, matte sheen <span style="border: 1px solid black; padding: 0 2px;">A</span>	+\$0

RecoGrain Veneer

*For walnut (W)*

<b>66G</b>	recograin wenge <span style="border: 1px solid black; padding: 0 2px;">A</span>	+\$0
<b>69G</b>	recograin wenge <span style="border: 1px solid black; padding: 0 2px;">A</span>	+\$0

*For walnut (W)*

<b>96G</b>	wenge recograin, quarter cut, low sheen <span style="border: 1px solid black; padding: 0 2px;">A</span>	+\$0
<b>99G</b>	recograin wenge, quarter cut, low sheen <span style="border: 1px solid black; padding: 0 2px;">A</span>	+\$0

Low Sheen Finishes (on Walnut)

*For walnut (W)*

<b>962</b>	toasted walnut, low sheen <span style="border: 1px solid black; padding: 0 2px;">A</span>	+\$0
<b>963</b>	charred walnut, low sheen <span style="border: 1px solid black; padding: 0 2px;">A</span>	+\$0
<b>964</b>	bronzed walnut, low sheen <span style="border: 1px solid black; padding: 0 2px;">A</span>	+\$0
<b>965</b>	smoked walnut, low sheen <span style="border: 1px solid black; padding: 0 2px;">A</span>	+\$0
<b>966</b>	coffee walnut, low sheen <span style="border: 1px solid black; padding: 0 2px;">A</span>	+\$0
<b>972</b>	sundance walnut <span style="border: 1px solid black; padding: 0 2px;">A</span>	+\$0
<b>98R</b>	recograin rosewood <span style="border: 1px solid black; padding: 0 2px;">A</span>	+\$0
<b>99R</b>	recograin rosewood <span style="border: 1px solid black; padding: 0 2px;">A</span>	+\$0
<b>G2U</b>	light brown walnut, low sheen <span style="border: 1px solid black; padding: 0 2px;">A</span>	+\$0
<b>G40</b>	dark brown walnut, low sheen <span style="border: 1px solid black; padding: 0 2px;">A</span>	+\$0
<b>EK</b>	medium red walnut <span style="border: 1px solid black; padding: 0 2px;">A</span>	+\$0

Crosshatch Side Chair *continued*

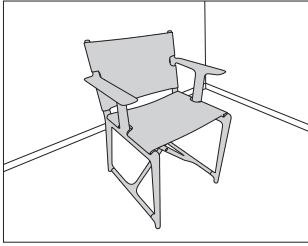
HermanMiller Collection—Side & Stacking Chairs

Step 4. Fabric		
Price Category (Geiger) COL	<input type="checkbox"/> A	+\$54
Price Category (Geiger) COM	<input type="checkbox"/> A	+\$0
Price Category 1		+\$0
Price Category 2		+\$35
Price Category (Geiger) 3		+\$44
Price Category 3		+\$44
Price Category (Geiger) 4		+\$54
Price Category (Geiger) 5		+\$79
Price Category 5		+\$79
Price Category (Geiger) 7		+\$128
Price Category (Geiger) 8		+\$197
Price Category 9		+\$244
Price Category (Geiger) 10		+\$281
Price Category (Geiger) 11		+\$314
Price Category 11		+\$314
Price Category (Geiger) 14		+\$412
Price Category (Geiger) E		+\$64
Price Category (Geiger) G		+\$104
Price Category (Geiger) H		+\$130
Price Category (Geiger) I		+\$157
Price Category (Geiger) J		+\$184
Price Category (Geiger) K		+\$211
Step 5. Fire Retardancy		
<b>NOCAL</b>	no cal-133 required <input type="checkbox"/> A	+\$0
<b>133</b>	cal-133 required <input type="checkbox"/> A	+\$49



# Stanley Chair

XXSD1

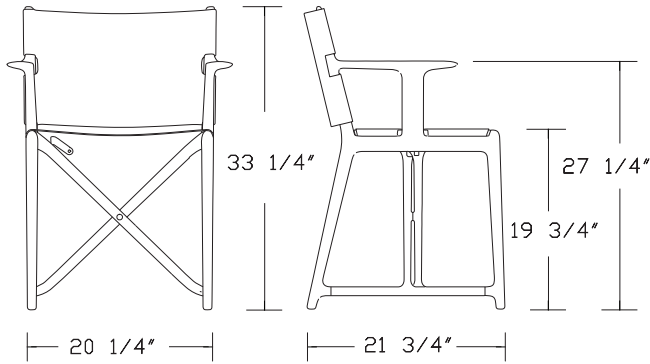
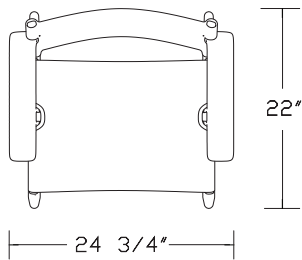


### Product Information

#### Description

This folding chair has a polypropylene frame with glass fiber added. Seat and back are made with outdoor performance fabric. Chair is suitable for outdoor use. Sold individually.

#### Dimensions



### Specification Information

#### Step 1.

**XXSD193**  A

#### Step 2. Textile Option

**0** fabric seat and back  A

#### Prices for Steps 1-2.

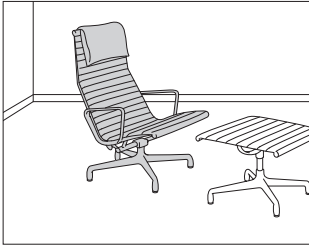
**XXSD193 0** \$890

#### Step 3. Frame and Seat/Back Combination

- YZ1** white frame with white outdoor fabric  A +\$0
- YZ2** black frame with black outdoor fabric  A +\$0
- YZ3** beige frame with beige outdoor fabric  A +\$0

# Eames® Aluminum Group Lounge Chair

EA316  
EA322



HermanMiller Collection—Lounge Seating

## Product Information

### Description

This low-back chair has a lightweight aluminum frame with suspended upholstery. It has a 4-star base with 1/2" (GD) glides for hard floors or carpet, swivel mechanism, and fixed seat height.

### Notes

Chair is tested and warranted for use by persons 300 pounds and under. When chair is specified with Cygnus™ mesh, it meets CAL 133 requirements.

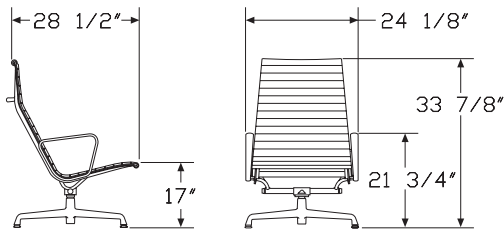
For description of glide, see Casters and Glides in Appendices.

For chair without headrest (EA316), Customer's Own Material (COM) requires 1 3/4 yards. Customer's Own Leather (COL) requires 55 square feet. See Order Information in Appendices.

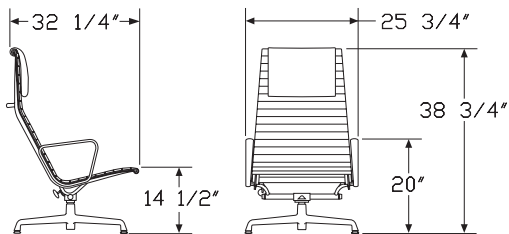
For chair with headrest (EA322), Customer's Own Material (COM) requires 3 yards. Customer's Own Leather (COL) requires 55 square feet. See Order Information in Appendices.

## Dimensions

### Swivel



### Tilt Swivel



## Specification Information

### Step 1.

**EA3** A

### Step 2. Tilt/Arms

**16** swivel and arms A

**22** tilt swivel, arms, and headrest A

### Prices for Steps 1-2.

<b>EA316</b>	\$1955
<b>EA322</b>	\$2117

### Step 3. Base/Frame Finish

<b>L</b>	polished aluminum <span style="border: 1px solid black; padding: 0 2px;">A</span>	+\$0
<b>BK</b>	black <span style="border: 1px solid black; padding: 0 2px;">A</span>	+\$133
<b>G2</b>	graphite satin <span style="border: 1px solid black; padding: 0 2px;">A</span>	+\$133
<b>91</b>	white <span style="border: 1px solid black; padding: 0 2px;">A</span>	+\$133

### Step 4. Fabric

#### For swivel and arms (16)

Price Category 1	+\$0
Price Category 2	+\$55
Price Category 3	+\$125
Price Category 4	+\$179
Price Category (Geiger) 4	+\$179
Price Category 5	+\$199
Price Category 6	+\$242
Price Category 7 <span style="border: 1px solid black; padding: 0 2px;">A</span>	+\$240
Price Category (Geiger) 7	+\$240
Price Category 9	+\$621
Price Category (Geiger) 10	+\$702
Price Category 11	+\$826
Price Category B	+\$57
Price Category D	+\$103
Price Category E	+\$124
Price Category F	+\$161
Price Category G	+\$209
Price Category H	+\$254
Price Category I	+\$298
Price Category J	+\$343
Price Category K	+\$387
Price Category L	+\$432
Price Category FF	+\$3633

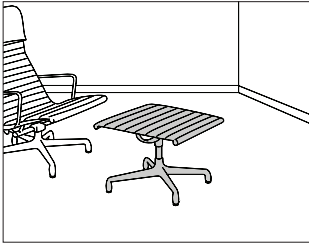
# Eames® Aluminum Group Lounge Chair *continued*

*For tilt swivel, arms, and headrest (22)*

Price Category 1	+\$0
Price Category 2	+\$55
Price Category 3	+\$125
Price Category 4	+\$179
Price Category (Geiger) 4	+\$179
Price Category 5	+\$199
Price Category 6	+\$415
Price Category 7	+\$240
Price Category 9	+\$621
Price Category (Geiger) 10	+\$950
Price Category 11	+\$826
Price Category B	+\$57
Price Category D	+\$103
Price Category E	+\$124
Price Category F	+\$161
Price Category G	+\$209
Price Category H	+\$254
Price Category I	+\$298
Price Category J	+\$343
Price Category K	+\$387
Price Category L	+\$432
Price Category FF	+\$3633

Eames® Aluminum Group  
Ottoman

EA323



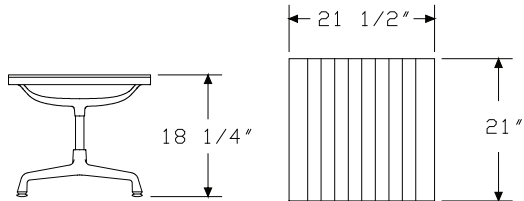
HermanMiller Collection—Lounge Seating

**Product Information**

**Description**  
This upholstered ottoman has a lightweight aluminum frame and 1/2" (GD) glides for hard floors or carpet.

**Notes**  
When ottoman is specified with Cygnus™ mesh, it meets CAL 133 requirements.  
For description of glides, see Casters and Glides in Appendices.  
Customer's Own Material (COM) requires 1 yard. Customer's Own Leather (COL) requires 20 square feet. See Order Information in Appendices.

**Dimensions**



**Specification Information**

**Step 1.**  
**EA323** [A] \$935

**Step 2. Base/Frame Finish**

<b>L</b>	polished aluminum [A]	+\$0
<b>BK</b>	black [A]	+\$69
<b>G2</b>	graphite satin [A]	+\$69
<b>91</b>	white [A]	+\$69

**Step 3. Fabric**  
*See application chart and textiles list for fabric usage and numbers. First 2 digits of number indicate fabric line; remaining digit(s) indicate fabric color.*

Price Category 1	+\$0
Price Category 2	+\$29
Price Category 3	+\$55
Price Category 4	+\$83
Price Category (Geiger) 4	+\$83
Price Category 5	+\$104
Price Category 6	+\$125
Price Category 7 [A]	+\$109
Price Category (Geiger) 7	+\$109
Price Category 9	+\$281
Price Category (Geiger) 10	+\$320
Price Category 11	+\$332
Price Category B	+\$29
Price Category D	+\$59
Price Category E	+\$71
Price Category F	+\$92
Price Category G	+\$119
Price Category H	+\$145
Price Category I	+\$170
Price Category J	+\$196
Price Category K	+\$221
Price Category L	+\$247
Price Category FF	+\$1321

# Eames® Soft Pad Lounge Chair

EA416  
EA422



### Product Information

#### Description

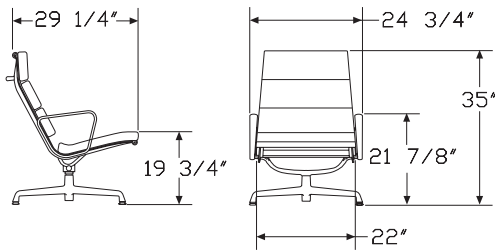
This high-back chair has a lightweight aluminum frame and 2"-thick upholstered foam cushions. It has a 4-star base with 1/2" (GD) glides for hard floors or carpet and a fixed seat height.

#### Notes

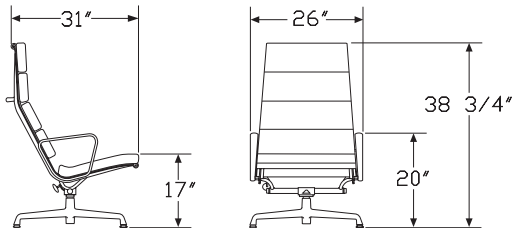
Chair is tested and warranted for use by persons 300 pounds and under. For description of glides, see Casters and Glides in Appendices. Customer's Own Material (COM) requires 3 yards for 3-cushion chair and 4 yards for 4-cushion chair. Customer's Own Leather (COL) requires 56 square feet for 3-cushion chair and 63 square feet for 4-cushion chair. See Order Information in Appendices.

#### Dimensions

#### Swivel



#### Tilt Swivel



### Specification Information

#### Step 1.

**EA4** A

#### Step 2. Tilt/Number of Cushions/Arms

**16** swivel, 3 cushions, and arms A

**22** tilt swivel, 4 cushions, and arms A

#### Prices for Steps 1-2.

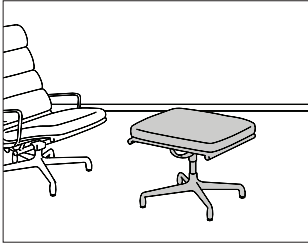
<b>EA416</b>	\$3401
<b>EA422</b>	\$3449

#### Step 3. Base/Frame Finish

<b>L</b> polished aluminum <span style="border: 1px solid black; padding: 0 2px;">A</span>	+\$0
<b>BK</b> black <span style="border: 1px solid black; padding: 0 2px;">A</span>	+\$133
<b>G2</b> graphite satin <span style="border: 1px solid black; padding: 0 2px;">A</span>	+\$133
<b>91</b> white <span style="border: 1px solid black; padding: 0 2px;">A</span>	+\$133

#### Step 4. Fabric

Price Category 1	+\$0
Price Category 2	+\$70
Price Category 3	+\$164
Price Category (Geiger) 3	+\$164
Price Category 4	+\$262
Price Category 5	+\$329
Price Category 6	+\$339
Price Category 7 <span style="border: 1px solid black; padding: 0 2px;">A</span>	+\$349
Price Category (Geiger) 7	+\$349
Price Category 9	+\$630
Price Category (Geiger) 10	+\$649
Price Category 11	+\$936
Price Category B	+\$99
Price Category D	+\$176
Price Category E	+\$213
Price Category F	+\$275
Price Category G	+\$358
Price Category H	+\$435
Price Category I	+\$511
Price Category J	+\$588
Price Category K	+\$664
Price Category L	+\$740
Price Category M	+\$817
Price Category N	+\$893
Price Category P	+\$1046
Price Category FF	+\$3699



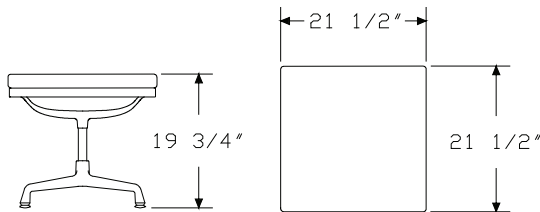
HermanMiller Collection—Lounge Seating

**Product Information**

**Description**  
 This ottoman has a lightweight aluminum frame, a 2"-thick upholstered foam cushion, and 1/2" (GD) glides for hard floors or carpet.

**Notes**  
 For description of glides, see Casters and Glides in Appendices.  
 Customer's Own Material (COM) requires 1 1/4 yards. Customer's Own Leather (COL) requires 27 square feet. See Order Information in Appendices.

**Dimensions**



**Specification Information**

**Step 1.**  
**EA423** [A] \$1439

**Step 2. Base/Frame Finish**

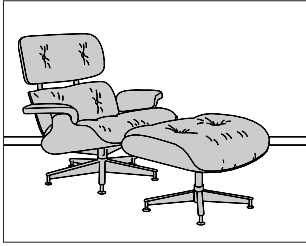
<b>L</b>	polished aluminum [A]	+\$0
<b>BK</b>	black [A]	+\$69
<b>G2</b>	graphite satin [A]	+\$69
<b>91</b>	white [A]	+\$69

**Step 3. Fabric**  
 See application chart and textiles list for fabric usage and numbers.  
 First 2 digits of number indicate fabric line; remaining digit(s) indicate fabric color.

Price Category 1	+\$0
Price Category 2	+\$69
Price Category 3	+\$104
Price Category (Geiger) 3	+\$104
Price Category 4	+\$130
Price Category 5	+\$143
Price Category 6	+\$158
Price Category 7 [A]	+\$139
Price Category (Geiger) 7	+\$139
Price Category 9	+\$308
Price Category (Geiger) 10	+\$348
Price Category 11	+\$440
Price Category B	+\$36
Price Category D	+\$74
Price Category E	+\$88
Price Category F	+\$115
Price Category G	+\$149
Price Category H	+\$181
Price Category I	+\$213
Price Category J	+\$245
Price Category K	+\$277
Price Category L	+\$309
Price Category M	+\$340
Price Category N	+\$372
Price Category P	+\$436
Price Category FF	+\$1784

# Eames® Lounge Chair and Ottoman

ES670



## Product Information

### Description

This fixed-height chair has a molded veneer seat and back shell; the ottoman has a molded veneer shell. Both the chair and ottoman have foam cushions with leather upholstery and a black enameled base with polished aluminum accents. The chair has a swivel mechanism.

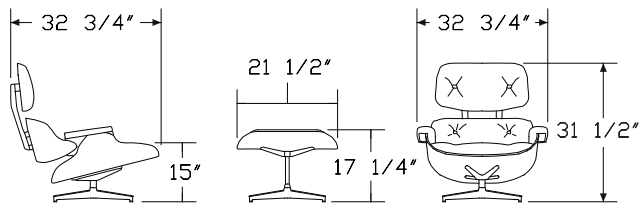
### Notes

Santos palisander veneer is celebrated for its unique grain and color variations. Similar products ordered in multiples or dissimilar products ordered separately should be expected to have variation in both grain and color characteristics; no two products will look exactly alike.

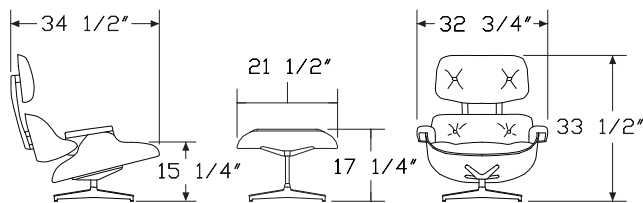
Customer's Own Leather (COL) for the classic size (ES67071) requires 55 square feet, and for the tall size (ES67071T) requires 70 square feet. See Order Information in Appendices.

Height is measured from floor to top of back panel; height can vary up to 3/4".

## Dimensions



Classic



Tall

## Specification Information

### Step 1.

**ES6707**  A

### Step 2. Size

**1** classic  A

**1T** tall  A

### Prices for Steps 1-2.

<b>ES6707 1</b>	\$4915
<b>1T</b>	\$4915

### Step 3. Shell Finish

<b>OU</b> walnut <input type="checkbox"/> A	+\$0
<b>5Q</b> oiled walnut <input type="checkbox"/> A	+\$1010
<b>9N</b> santos palisander <input type="checkbox"/> A	+\$1070
<b>5D</b> oiled santos palisander <input type="checkbox"/> A	+\$2080

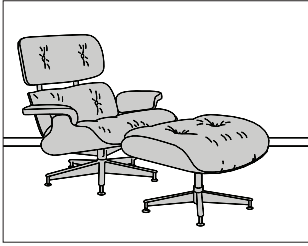
### Step 4. Material

See application chart and textiles list for fabric usage and numbers. First 2 digits of number indicate fabric line; remaining digit(s) indicate fabric color.

Price Category 7 <input type="checkbox"/> A	+\$300
Price Category 9	+\$612
Price Category (Geiger) 10	+\$768
Price Category 11	+\$924
Price Category (Geiger) 11	+\$924
Price Category L	+\$1225
Price Category FF	+\$4624

Eames® Lounge Chair and Ottoman, Ebony

ES670



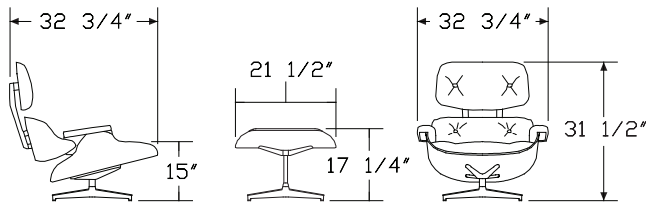
HermanMiller Collection—Lounge Seating

**Product Information**

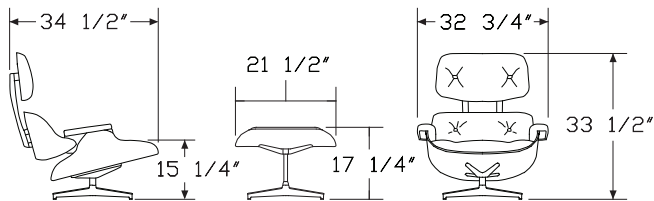
**Description**  
 This fixed-height chair and ottoman has a molded ebony ash plywood shell and foam cushions with black leather upholstery. The chair base, back supports, and ottoman base are black enamel with aluminum accents. The chair has a swivel mechanism.

**Notes**  
 Height is measured from floor to top of back panel; height can vary up to 3/4".

**Dimensions**



Classic



Tall

**Specification Information**

Step 1.

**ES67071** A

Step 2. Size

**EN** classic A

**ENT** tall A

Prices for Steps 1-2.

<b>ES67071 EN</b>	\$5461
<b>ENT</b>	\$5461

Step 3. Material

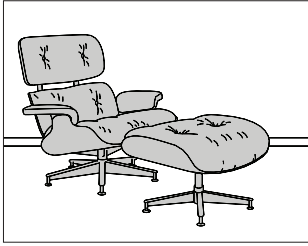
See application chart and textiles list for fabric usage and numbers. First 2 digits of number indicate fabric line; remaining digit(s) indicate fabric color.

Price Category 11	+\$924
Price Category L	+\$1225



Eames® Lounge Chair and Ottoman White Ash

ES670



**Product Information**

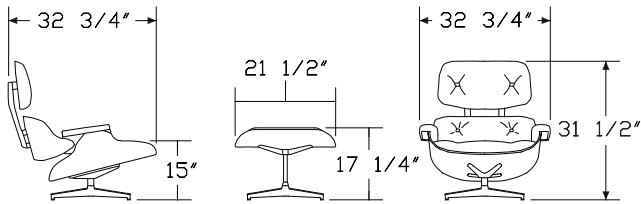
**Description**

This fixed-height chair and ottoman has a molded white ash plywood shell and foam cushions with white leather upholstery. The chair base, back supports, and ottoman base are white enamel with aluminum accents. The chair has a swivel mechanism.

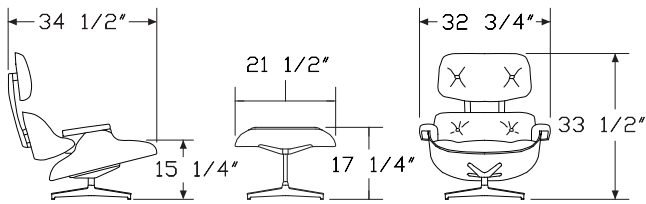
**Notes**

Height is measured from floor to top of back panel; height can vary up to 3/4".

**Dimensions**



Classic



Tall

**Specification Information**

**Step 1.**

**ES67071** A

**Step 2. Size**

**RE** classic A

**RET** tall A

**Prices for Steps 1-2.**

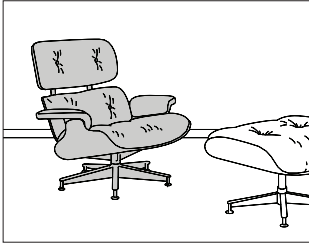
<b>ES67071 RE</b>	\$5461
<b>RET</b>	\$5461

**Step 3. Material**

See application chart and textiles list for fabric usage and numbers. First 2 digits of number indicate fabric line; remaining digit(s) indicate fabric color.

Price Category 11	+\$924
Price Category L	+\$1225

HermanMiller Collection—Lounge Seating



HermanMiller Collection—Lounge Seating

**Product Information**

**Description**

This fixed-height chair has a molded veneer seat and back shell. It has foam cushions with leather upholstery, a black enameled base with polished aluminum accents, and a swivel mechanism.

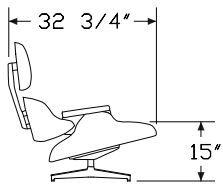
**Notes**

Santos palisander veneer is celebrated for its unique grain and color variations. Similar products ordered in multiples or dissimilar products ordered separately should be expected to have variation in both grain and color characteristics; no two products will look exactly alike.

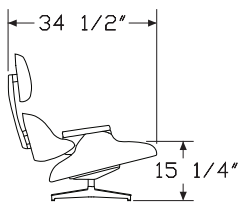
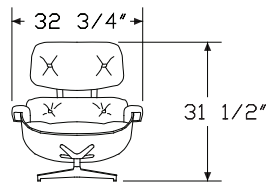
Customer's Own Leather (COL) for the classic size (ES670) requires 40 square feet, and for the tall size (ES670T) requires 55 square feet. See Order Information in appendices.

Height is measured from floor to top of back panel; height can vary up to 3/4".

**Dimensions**



Classic



Tall

**Specification Information**

**Step 1.**

**ES67** A

**Step 2. Size**

**0** classic A

**0T** tall A

**Prices for Steps 1-2.**

<b>ES670</b>	\$3939
<b>ES670T</b>	\$3939

**Step 3. Shell Finish**

<b>OU</b> walnut <span style="border: 1px solid black; padding: 0 2px;">A</span>	+\$0
<b>5Q</b> oiled walnut <span style="border: 1px solid black; padding: 0 2px;">A</span>	+\$677
<b>9N</b> santos palisander <span style="border: 1px solid black; padding: 0 2px;">A</span>	+\$870
<b>5D</b> oiled santos palisander <span style="border: 1px solid black; padding: 0 2px;">A</span>	+\$1547

**Step 4. Material**

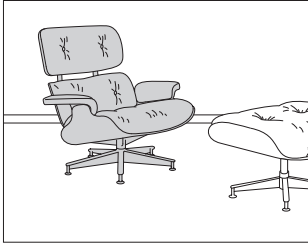
See application chart and textiles list for fabric usage and numbers.

First 2 digits of number indicate fabric line; remaining digit(s) indicate fabric color.

Price Category 7 <span style="border: 1px solid black; padding: 0 2px;">A</span>	+\$288
Price Category 9	+\$448
Price Category (Geiger) 10	+\$627
Price Category 11	+\$672
Price Category (Geiger) 11	+\$672
Price Category L	+\$1000
Price Category FF	+\$3633

Eames® Lounge Chair, Ebony

ES670



**Product Information**

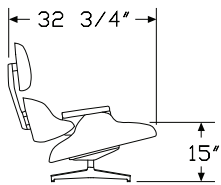
**Description**

This fixed-height chair has a molded ebony ash plywood shell and foam cushions with black leather upholstery. The chair base and back supports are black enamel with aluminum accents. The chair has a swivel mechanism.

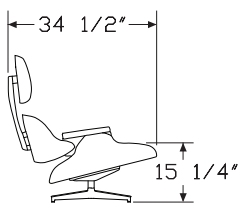
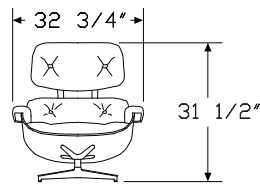
**Notes**

Height is measured from floor to top of back panel; height can vary up to 3/4".

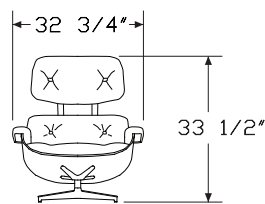
**Dimensions**



Classic



Tall



**Specification Information**

**Step 1.**

**ES670**  A

**Step 2. Size**

**EN** classic  A

**ENT** tall  A

**Prices for Steps 1-2.**

<b>ES670 EN</b>	\$4321
<b>ENT</b>	\$4321

**Step 3. Material**

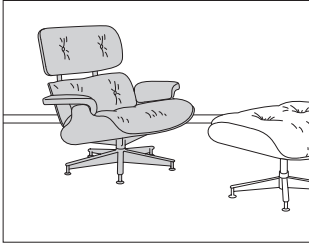
See application chart and textiles list for fabric usage and numbers. First 2 digits of number indicate fabric line; remaining digit(s) indicate fabric color.

Price Category 11 +\$672

Price Category L +\$1000

HermanMiller Collection—Lounge Seating

Eames® Lounge Chair White Ash ES670



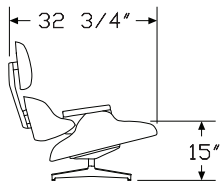
HermanMiller Collection—Lounge Seating

**Product Information**

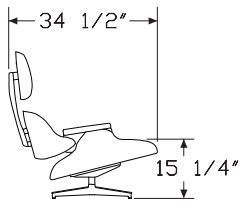
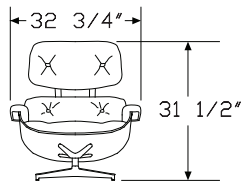
**Description**  
 This fixed-height chair has a molded white ash plywood shell and foam cushions with white leather upholstery. The chair base and back supports are white enamel with aluminum accents. The chair has a swivel mechanism.

**Notes**  
 Height is measured from floor to top of back panel; height can vary up to 3/4".

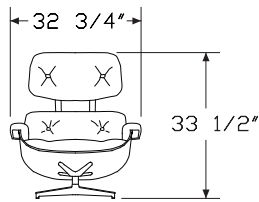
**Dimensions**



Classic



Tall



**Specification Information**

Step 1.

**ES670** A

Step 2. Size

**RE** classic A

**RET** tall A

Prices for Steps 1-2.

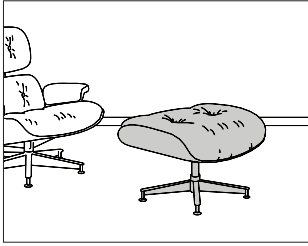
<b>ES670 RE</b>	\$4321
<b>RET</b>	\$4321

Step 3. Material

See application chart and textiles list for fabric usage and numbers. First 2 digits of number indicate fabric line; remaining digit(s) indicate fabric color.

Price Category 11 +\$672

Price Category L +\$1000



**Product Information**

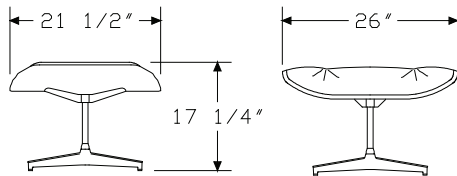
**Description**

This ottoman has a molded veneer shell, foam cushion with leather upholstery, and black enameled base with polished aluminum accents.

**Notes**

Santos palisander veneer is celebrated for its unique grain and color variations. Similar products ordered in multiples or dissimilar products ordered separately should be expected to have variation in both grain and color characteristics; no two products will look exactly alike. Customer's Own Leather (COL) requires 15 square feet. See Order Information in Appendices.

**Dimensions**



**Specification Information**

**Step 1.**

**ES671** [A] \$1503

**Step 2. Shell Finish**

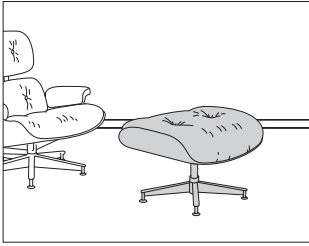
<b>OU</b>	walnut [A]	+\$0
<b>9N</b>	santos palisander [A]	+\$318
<b>5Q</b>	oiled walnut [A]	+\$333
<b>5D</b>	oiled santos palisander [A]	+\$651

**Step 3. Material**

See application chart and textiles list for fabric usage and numbers. First 2 digits of number indicate fabric line; remaining digit(s) indicate fabric color.

Price Category 7 [A]	+\$107
Price Category 9	+\$164
Price Category (Geiger) 10	+\$208
Price Category 11	+\$252
Price Category (Geiger) 11	+\$252
Price Category L	+\$400
Price Category FF	+\$991

HermanMiller Collection—Lounge Seating

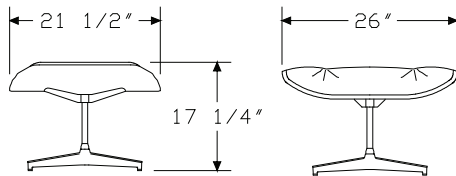


HermanMiller Collection—Lounge Seating

**Product Information**

**Description**  
 This ottoman has a molded ebony ash veneer shell, foam cushion with black leather upholstery, and a black enamel base with aluminum accents.

**Dimensions**

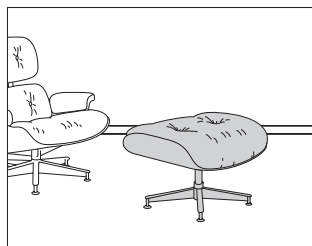


**Specification Information**

**Step 1.**  
**ES671EN** A \$1667

**Step 2. Material**  
 See application chart and textiles list for fabric usage and numbers.  
 First 2 digits of number indicate fabric line; remaining digit(s) indicate fabric color.

Price Category 11 + \$252  
 Price Category L + \$400

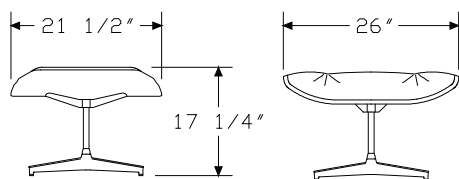


**Product Information**

**Description**

This ottoman has a molded plywood shell, foam cushion with white leather upholstery, and a white enamel base with aluminum accents.

**Dimensions**



**Specification Information**

**Step 1.**

**ES671RE** [A] \$1667

**Step 2. Material**

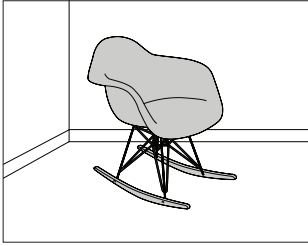
See application chart and textiles list for fabric usage and numbers.  
 First 2 digits of number indicate fabric line; remaining digit(s) indicate fabric color.

Price Category 11 +\$252

Price Category L +\$400

Eames® Molded Plastic Armchair  
Rocker Base

RAR.

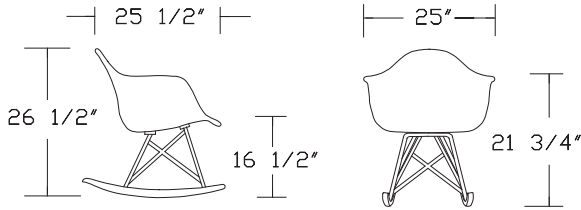


HermanMiller Collection—Lounge Seating

**Product Information**

**Description**  
This chair has a single-piece molded seat and back with arms, waterfall edges, and chrome or black legs with solid-maple or walnut rockers.

**Dimensions**



**Specification Information**

**Step 1.**

**RA**

**Step 2. Base Option**

**R.** rocker base with nonupholstered shell

**Prices for Steps 1-2.**

**RAR.** \$666

**Step 3. Base Finish**

- 91** white A +\$0
- BK** black +\$0
- 47** trivalent chrome +\$20

**Step 4. Rocker Finish**

- UL** natural maple +\$0
- A2** white ash A +\$30
- OU** walnut +\$30

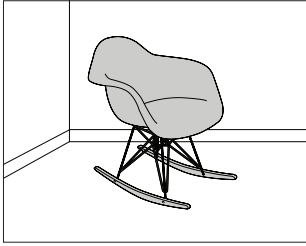
**Step 5. Seat/Back Finish**

- 4T** aqua sky +\$0
- 5B** java +\$0
- 9J** sparrow +\$0
- BLE** blue ice A +\$0
- BLH** blush A +\$0
- CHL** charcoal A +\$0
- KGR** kelly green A +\$0
- PBL** peacock blue A +\$0
- PYW** pale yellow A +\$0
- STN** stone A +\$0
- ZA** black +\$0
- ZE** red orange +\$0
- ZF** white +\$0
- ZM** alpine A +\$0



Eames® Upholstered Molded Plastic Armchair Rocker Base

RAR.

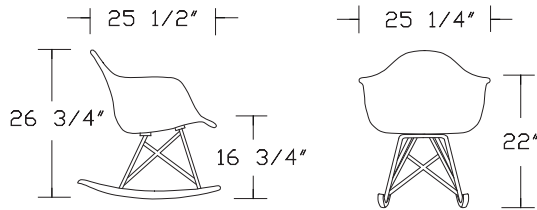


**Product Information**

**Description**

This chair has a single-piece molded plastic shell with waterfall edges and upholstered seat, back, and arms or an upholstered seat pad. Legs are chrome, black or white with solid maple, ash or walnut rockers.

**Dimensions**



**Specification Information**

**Step 1.**

**RA**

**Step 2. Base and Upholstery Option**

**R.** rocker base

**Step 3. Upholstery**

**U** fully upholstered shell

**P** upholstered seat pad

**Prices for Steps 1-3.**

<b>RAR. U</b>	\$830
<b>P</b>	\$790

**Step 4. Base Finish**

<b>91</b> white	+\$0
<b>BK</b> black	+\$0
<b>47</b> trivalent chrome	+\$20

**Step 5. Rocker Finish**

<b>UL</b> natural maple <input type="checkbox"/>	+\$0
<b>A2</b> white ash <input type="checkbox"/>	+\$30
<b>OU</b> walnut <input type="checkbox"/>	+\$30

**Step 6. Back Finish**

<b>4T</b> aqua sky <input type="checkbox"/>	+\$0
<b>5B</b> java <input type="checkbox"/>	+\$0
<b>9J</b> sparrow <input type="checkbox"/>	+\$0
<b>ZA</b> black <input type="checkbox"/>	+\$0
<b>ZE</b> red orange <input type="checkbox"/>	+\$0
<b>ZF</b> white <input type="checkbox"/>	+\$0
<b>ZM</b> alpine <input type="checkbox"/>	+\$0
<b>PYW</b> pale yellow <input type="checkbox"/>	+\$0
<b>BLE</b> blue ice <input type="checkbox"/>	+\$0
<b>BLH</b> blush <input type="checkbox"/>	+\$0
<b>PBL</b> peacock blue <input type="checkbox"/>	+\$0
<b>STN</b> stone <input type="checkbox"/>	+\$0
<b>KGR</b> kelly green <input type="checkbox"/>	+\$0
<b>CHL</b> charcoal <input type="checkbox"/>	+\$0

**Step 7. Edge Finish**

<b>111</b> parchment <input type="checkbox"/>	+\$0
<b>BK</b> black <input type="checkbox"/>	+\$0
<b>ZF</b> white <input type="checkbox"/>	+\$0

# Eames® Upholstered Molded Plastic Armchair Rocker Base

continued

HermanMiller Collection—Lounge Seating

---

## Step 8. Fabric

---

### *For fully upholstered shell (U)*

---

Price Category 2	+\$35
Price Category 5	+\$45
Price Category B	+\$0
Price Category H	+\$212
Price Category K	+\$380

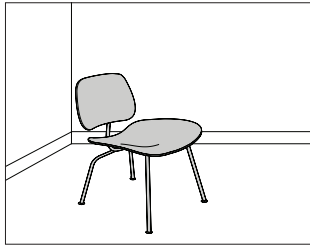
---

### *For upholstered seat pad (P)*

---

Price Category 1 <input type="checkbox"/> A	+\$0
Price Category 2	+\$25
Price Category 4	+\$33
Price Category 5	+\$59
Price Category 9	+\$209
Price Category 11	+\$254
Price Category G	+\$170
Price Category H	+\$210
Price Category K	+\$380

Eames® Molded Plywood Lounge Chair Metal Base LCM.



**Product Information**

**Description**

This 26 1/2"-high molded plywood chair has natural face veneers, hardwood inner plies, and a 5-ply seat and back. It has a polished chrome-plated 4-leg base and self-leveling nylon glides. When upholstered, the back and seat shells have exposed veneer on their backside.

**Notes**

Red stain (11) shell finish is on birch veneer. This stain allows the wood grain to show through; inner plies are visible. Natural variations in wood grain may affect the appearance of this stain color.

Ebony (EN) shell finish is stain on ash veneer; inner plies are not as visible.

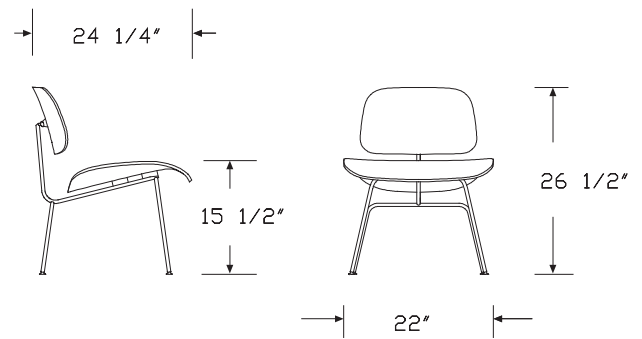
Santos palisander veneer is celebrated for its unique grain and color variations. Similar products ordered in multiples or dissimilar products ordered separately should be expected to have variation in both grain and color characteristics; no two products will look exactly alike.

Black (BK) base finish has black glides. Trivalent chrome (47) base finish has white glides.

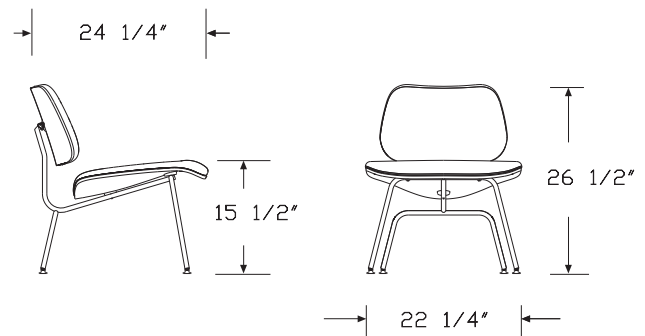
Avoid placement in direct sunlight.

Customer's Own Material (COM) requires 1 yard. Customer's Own Leather (COL), requires 24 square feet. See COM Information in Appendices for additional information.

**Dimensions**



nonupholstered



upholstered

Herman Miller Collection—Lounge Seating

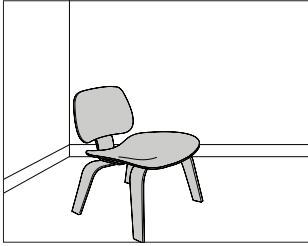
# Eames® Molded Plywood Lounge Chair Metal Base *continued*

HermanMiller Collection—Lounge Seating

Specification Information		
Step 1.		
<b>LC</b>	<input type="checkbox"/> A	
Step 2. Upholstery		
<b>M.</b>	nonupholstered shell <input type="checkbox"/> A	
<b>M.U</b>	upholstered shell <input type="checkbox"/> A	
Prices for Steps 1-2.		
<b>LCM.</b>		\$811
<b>LCM.U</b>		\$1284
Step 3. Base Finish		
<b>BK</b>	black <input type="checkbox"/> A	+\$0
<b>47</b>	trivalent chrome <input type="checkbox"/> A	+\$20
Step 4. Shell Finish		
Wood Veneer		
<b>OU</b>	walnut <input type="checkbox"/> A	+\$0
<b>11</b>	red stain <input type="checkbox"/> A	+\$115
<b>A2</b>	white ash <input type="checkbox"/> A	+\$115
<b>EN</b>	ebony <input type="checkbox"/> A	+\$115
<b>9N</b>	santos palisander <input type="checkbox"/> A	+\$285

Step 5. Fabric	
<i>For upholstered shell (M.U)</i>	
Price Category 1	+\$0
Price Category 2	+\$29
Price Category 3	+\$55
Price Category (Geiger) 3	+\$55
Price Category 4	+\$83
Price Category (Geiger) 4	+\$83
Price Category 5	+\$98
Price Category (Geiger) 5	+\$87
Price Category 6	+\$110
Price Category 7	+\$175
Price Category (Geiger) 7	+\$175
Price Category 9	+\$390
Price Category 10	+\$465
Price Category (Geiger) 10	+\$465
Price Category 11	+\$560
Price Category 14	+\$605
Price Category D	+\$59
Price Category E	+\$71
Price Category F	+\$92
Price Category G	+\$119
Price Category H	+\$145
Price Category I	+\$170
Price Category J	+\$196
Price Category K	+\$221
Price Category L	+\$247
Price Category M	+\$272
Price Category N	+\$298
Price Category O	+\$323
Price Category P	+\$349
Price Category Q	+\$375
Price Category R	+\$711
Price Category FF	+\$1189

Eames® Molded Plywood Lounge Chair Wood Base LCW.



**Product Information**

**Description**

This 26 1/2"-high molded plywood chair has natural face veneers, hardwood inner plies, a 5-ply seat and back, and 8-ply legs. When upholstered, the back and seat shells have exposed veneer on their backside.

**Notes**

Red stain (11) shell finish is on birch veneer. This stain allows the wood grain to show through; inner plies are visible. Natural variations in wood grain may affect the appearance of this stain color.

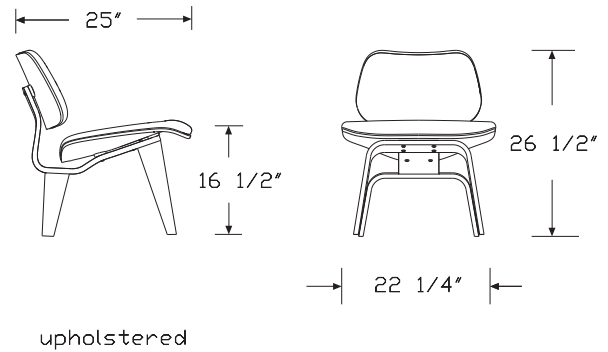
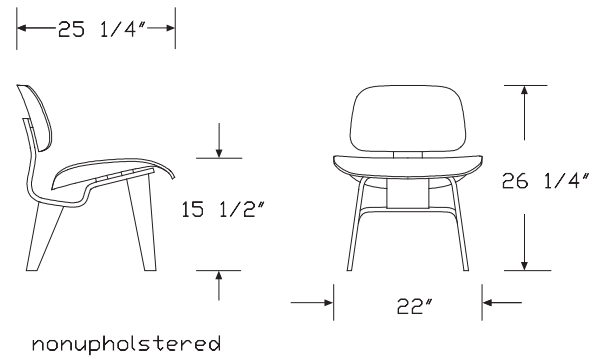
Ebony (EN) shell finish is stain on ash veneer; inner plies are not as visible.

Santos palisander veneer is celebrated for its unique grain and color variations. Similar products ordered in multiples or dissimilar products ordered separately should be expected to have variation in both grain and color characteristics; no two products will look exactly alike.

Avoid placement in direct sunlight.

Customer's Own Material (COM) requires 1 yard. Customer's Own Leather (COL), requires 24 square feet. See COM Information in Appendices for additional information.

**Dimensions**



HermanMiller Collection—Lounge Seating

# Eames® Molded Plywood Lounge Chair Wood Base *continued*

HermanMiller Collection—Lounge Seating

## Specification Information

### Step 1.

**LC**  A

### Step 2. Upholstery

**W.** nonupholstered shell  A

**W.U** upholstered shell  A

### Prices for Steps 1-2.

**LCW.** \$1050

**LCW.U** \$1483

### Step 3. Finish

**OU** walnut  A +\$0

**11** red stain  A +\$154

**A2** white ash  A +\$154

**EN** ebony  A +\$154

**9N** santos palisander  A +\$575

## Step 4. Fabric

### For upholstered shell (W.U)

Price Category 1 +\$0

Price Category 2 +\$29

Price Category 3 +\$55

Price Category 4 +\$83

Price Category (Geiger) 4 +\$83

Price Category 5 +\$98

Price Category (Geiger) 5 +\$87

Price Category 6 +\$110

Price Category 7 +\$175

Price Category (Geiger) 7 +\$175

Price Category 9 +\$390

Price Category 10 +\$465

Price Category (Geiger) 10 +\$465

Price Category 11 +\$560

Price Category 14 +\$605

Price Category D +\$59

Price Category E +\$71

Price Category F +\$92

Price Category G +\$119

Price Category H +\$145

Price Category I +\$170

Price Category J +\$196

Price Category K +\$221

Price Category L +\$247

Price Category M +\$272

Price Category N +\$298

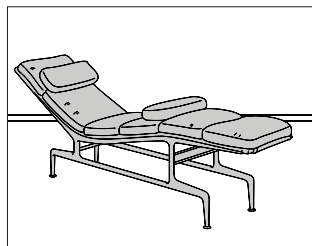
Price Category O +\$323

Price Category P +\$349

Price Category Q +\$375

Price Category R +\$711

Price Category FF +\$1189



**Product Information**

**Description**

This chaise has 6 2"-thick foam cushions with leather upholstery supported by a fabric sling. It has nylon glides and includes 2 loose cushions.

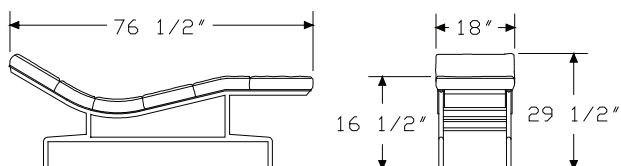
**Notes**

COL requires 65 square feet.

When pearl MCL leather (1R01) is specified, the fabric sling will be white.

When black MCL leather (1R10) is specified, the fabric sling will be black.

**Dimensions**



**Specification Information**

**Step 1.**

**ES106** [A] \$5703

**Step 2. Frame Finish**

**91** white [A] +\$450

**EP** eggplant [A] +\$450

**G2** graphite satin [A] +\$450

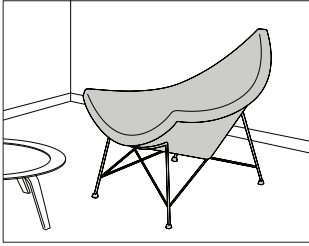
**Step 3. Leather**

See application chart and textiles list for fabric usage and numbers.

First 2 digits of number indicate fabric line; remaining digit(s) indicate fabric color.

Price Category 11 +\$1151

Nelson™ Coconut Lounge Chair 5569.

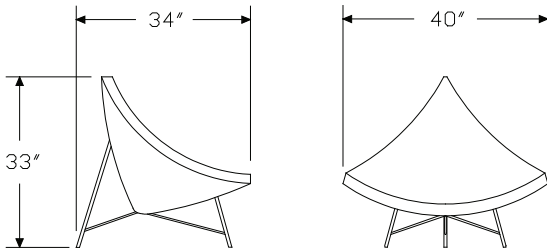


**Product Information**

Description

This chair has a 1-piece foam cushion upholstered in black leather, a white molded plastic shell, and a polished chrome base.

Dimensions



**Specification Information**

Step 1.

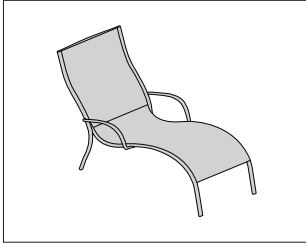
5569. A

\$7914



Paso Doble Chaise

MGP40.

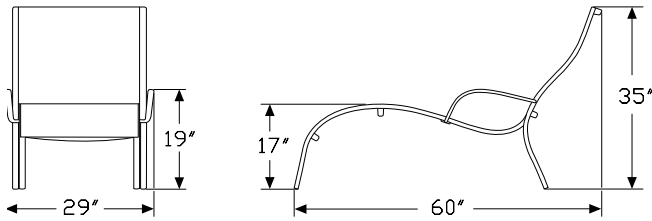


**Product Information**

**Description**

This stacking chaise lounge comes with an aluminum frame. The arms and crosspieces are made of die-cast aluminum. Chairs can stack up to 6 high.

**Dimensions**



**Specification Information**

**Step 1.**

**MGP40.** [A] \$2205

**Step 2. Frame Finish**

**YKB** black [A] +\$0

**YKV** polished aluminum [A] +\$467

**Step 3. Seat Fabric**

*For black (YKB)*

**YKM** black polymer [A] +\$0

**YKC** black polyester-cotton [A] +\$35

*For polished aluminum (YKV)*

**YKC** black polyester-cotton [A] +\$0

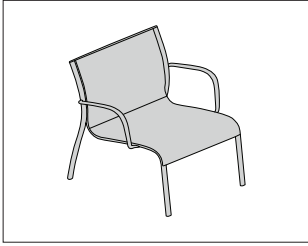
**YKR** white-black melange [A] +\$0

**YKM** black polymer [A] +\$15

HermanMiller Collection—Lounge Seating

# Paso Doble Lounge Chair

MGP01.



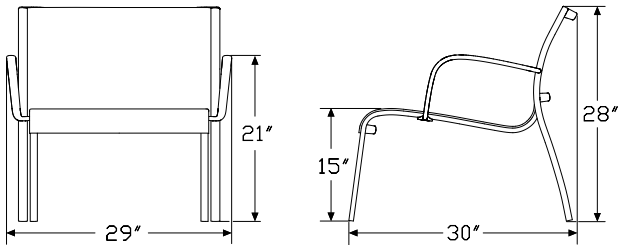
HermanMiller Collection—Lounge Seating

## Product Information

### Description

This stacking low chair comes with an aluminum frame and is available with or without arms. The arms and crosspieces are die-cast aluminum. Chairs can stack up to 6 high. Package contains 2 chairs.

### Dimensions



## Specification Information

### Step 1.

**MGP01.** A

### Step 2. Arms

**N** no arms A

**A** arms A

### Prices for Steps 1-2.

<b>MGP01.N</b>	\$1802
<b>A</b>	\$2382

### Step 3. Frame Finish

		<b>N</b>	<b>A</b>
<b>YKB</b>	black <span style="border: 1px solid black; padding: 0 2px;">A</span>	+\$0	0
<b>YKV</b>	polished aluminum <span style="border: 1px solid black; padding: 0 2px;">A</span>	+\$458	498

### Step 4. Seat Fabric

#### For black (YKB)

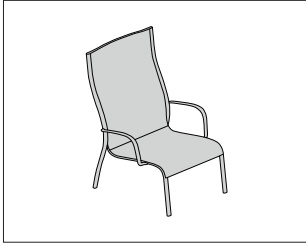
		<b>N</b>	<b>A</b>
<b>YKM</b>	black polymer <span style="border: 1px solid black; padding: 0 2px;">A</span>	+\$0	0
<b>YKC</b>	black polyester-cotton <span style="border: 1px solid black; padding: 0 2px;">A</span>	+\$42	82
<b>YKP</b>	black leather <span style="border: 1px solid black; padding: 0 2px;">A</span>	+\$1312	1352

#### For polished aluminum (YKV)

		<b>N</b>	<b>A</b>
<b>YKM</b>	black polymer <span style="border: 1px solid black; padding: 0 2px;">A</span>	+\$0	0
<b>YKC</b>	black polyester-cotton <span style="border: 1px solid black; padding: 0 2px;">A</span>	+\$40	40
<b>YKR</b>	white-black melange <span style="border: 1px solid black; padding: 0 2px;">A</span>	+\$40	40
<b>YKD</b>	black leather <span style="border: 1px solid black; padding: 0 2px;">A</span>	+\$1260	1310

Paso Doble Lounge Chair High Back

MGP02.

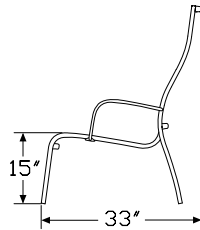
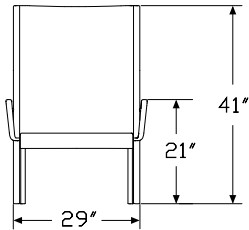


**Product Information**

**Description**

This stacking low chair with high back is available with or without arms. The frame is aluminum and the arms and crosspieces are die-cast aluminum. Chairs can stack up to 6 high. Package contains 2 chairs.

**Dimensions**



**Specification Information**

**Step 1.**

**MGP02.** [A] \$2600

**Step 2. Frame Finish**

**YKB** black [A] +\$0

**YKV** polished aluminum [A] +\$620

**Step 3. Seat Fabric**

*For black (YKB)*

**YKM** black polymer [A] +\$0

**YKC** black polyester-cotton [A] +\$40

*For polished aluminum (YKV)*

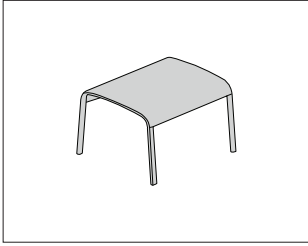
**YKM** black polymer [A] +\$0

**YKC** black polyester-cotton [A] +\$80

**YKR** white-black melange [A] +\$80

Paso Doble Ottoman

MGP03.



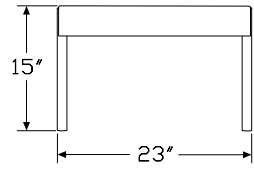
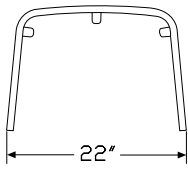
HermanMiller Collection—Lounge Seating

**Product Information**

**Description**

This footstool has an aluminum frame. The crosspieces are made of die-cast aluminum. Package contains 2 footstools.

**Dimensions**



**Specification Information**

**Step 1.**

**MGP03.** [A] \$1357

**Step 2. Frame Finish**

**YKB** black [A] +\$0

**YKV** polished aluminum [A] +\$182

**Step 3. Seat Fabric**

*For black (YKB)*

**YKM** black polymer [A] +\$0

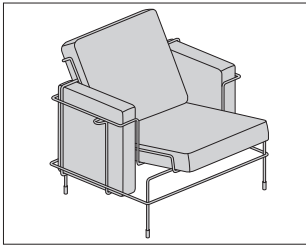
**YKC** black polyester-cotton [A] +\$40

*For polished aluminum (YKV)*

**YKM** black polymer [A] +\$0

**YKC** black polyester-cotton [A] +\$40

**YKR** white-black melange [A] +\$40

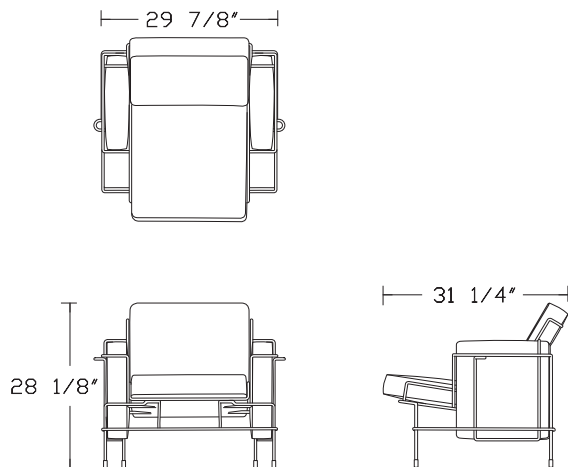


**Product Information**

**Description**

This armchair has a painted steel rod frame and upholstered cushions with removable covers.

**Dimensions**



**Specification Information**

**Step 1.**

**XXSD2700** A \$3336

**Step 2. Frame Finish**

<b>5011</b>	white	<span style="border: 1px solid black; padding: 0 2px;">A</span>	+\$0
<b>5013</b>	black	<span style="border: 1px solid black; padding: 0 2px;">A</span>	+\$0
<b>5016</b>	sepia brown	<span style="border: 1px solid black; padding: 0 2px;">A</span>	+\$0
<b>5017</b>	green blue	<span style="border: 1px solid black; padding: 0 2px;">A</span>	+\$0
<b>5019</b>	signal red	<span style="border: 1px solid black; padding: 0 2px;">A</span>	+\$0
<b>5021</b>	dark green	<span style="border: 1px solid black; padding: 0 2px;">A</span>	+\$0

**Step 3. Seat Fabric**

*For white (5011)*

<b>F-088</b>	orange	<span style="border: 1px solid black; padding: 0 2px;">A</span>	+\$0
<b>F-222</b>	light blue	<span style="border: 1px solid black; padding: 0 2px;">A</span>	+\$0
<b>F-266</b>	beige	<span style="border: 1px solid black; padding: 0 2px;">A</span>	+\$0
<b>F-354</b>	green	<span style="border: 1px solid black; padding: 0 2px;">A</span>	+\$0
<b>F-578</b>	yellow	<span style="border: 1px solid black; padding: 0 2px;">A</span>	+\$0
<b>F-741</b>	light grey	<span style="border: 1px solid black; padding: 0 2px;">A</span>	+\$0

*For black (5013)*

<b>F-521</b>	dark brown	<span style="border: 1px solid black; padding: 0 2px;">A</span>	+\$0
--------------	------------	---	------

*For sepia brown (5016)*

<b>F-578</b>	yellow	<span style="border: 1px solid black; padding: 0 2px;">A</span>	+\$0
--------------	--------	---	------

*For green blue (5017)*

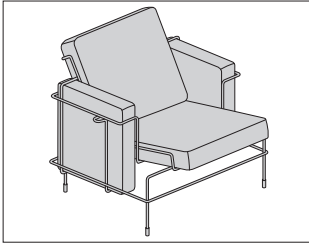
<b>F-222</b>	light blue	<span style="border: 1px solid black; padding: 0 2px;">A</span>	+\$0
--------------	------------	---	------

*For signal red (5019)*

<b>F-088</b>	orange	<span style="border: 1px solid black; padding: 0 2px;">A</span>	+\$0
--------------	--------	---	------

*For dark green (5021)*

<b>F-354</b>	green	<span style="border: 1px solid black; padding: 0 2px;">A</span>	+\$0
--------------	-------	---	------



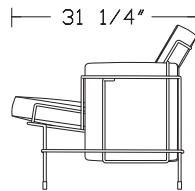
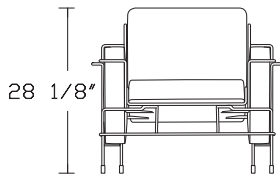
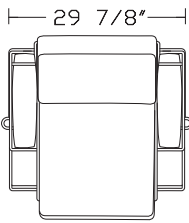
HermanMiller Collection—Lounge Seating

**Product Information**

**Description**

This armchair has a painted steel rod frame and upholstered cushions with removable covers.

**Dimensions**



**Specification Information**

**Step 1.**

**XXSD2704** [A] \$5511

**Step 2. Frame Finish**

- 5011** white [A] +\$0
- 5013** black [A] +\$0
- 5016** sepia brown [A] +\$0
- 5021** dark green [A] +\$0

**Step 3. Seat Fabric**

*For white (5011)*

- L-0111** brown l [A] +\$0
- L-0706** cream white l [A] +\$0

*For black (5013)*

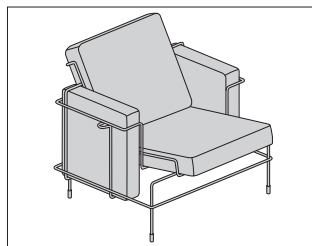
- L-0060** anthracite grey l [A] +\$0

*For dark green (5021)*

- L-0111** brown l [A] +\$0
- L-0752** dark brown l [A] +\$0

Traffic Armchair Upholstered  
(Suitable for Outdoor Use)

XXSD2

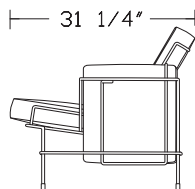
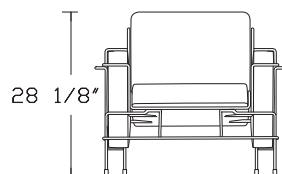
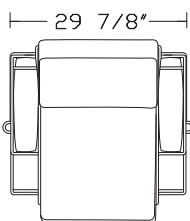


**Product Information**

**Description**

This armchair has a painted steel rod frame and upholstered cushions with removable covers. Suitable for outdoor use.

**Dimensions**



**Specification Information**

**Step 1.**

**XXSD2701**  A \$3773

**Step 2. Frame Finish**

**5011** white  A +\$0

**Step 3. Seat Fabric**

**F-227** turquoise  A +\$0

**F-257** blue  A +\$0

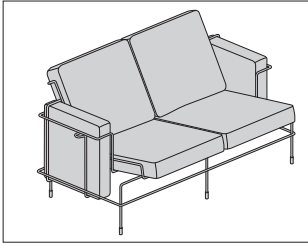
**F-737** white  A +\$0

**F-769** black  A +\$0

HermanMiller Collection—Lounge Seating

Traffic Two-Seater Sofa  
Upholstered

XXSD2

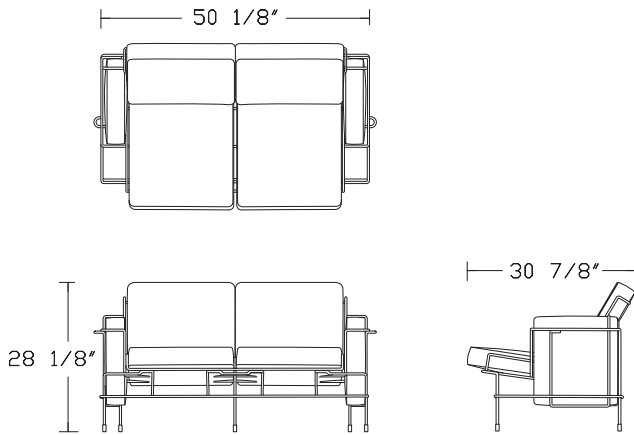


HermanMiller Collection—Lounge Seating

**Product Information**

**Description**  
This sofa has a painted steel rod frame and upholstered cushions with removable covers.

**Dimensions**



**Specification Information**

**Step 1.**  
**XXSD2710** [A] \$5119

**Step 2. Frame Finish**

<b>5011</b>	white [A]	+\$0
<b>5013</b>	black [A]	+\$0
<b>5016</b>	sepia brown [A]	+\$0
<b>5017</b>	green blue [A]	+\$0
<b>5019</b>	signal red [A]	+\$0
<b>5021</b>	dark green [A]	+\$0

**Step 3. Seat Fabric**

*For white (5011)*

<b>F-088</b>	orange [A]	+\$0
<b>F-222</b>	light blue [A]	+\$0
<b>F-266</b>	beige [A]	+\$0
<b>F-354</b>	green [A]	+\$0
<b>F-578</b>	yellow [A]	+\$0
<b>F-741</b>	light grey [A]	+\$0

*For black (5013)*

<b>F-521</b>	dark brown [A]	+\$0
--------------	----------------	------

*For sepia brown (5016)*

<b>F-578</b>	yellow [A]	+\$0
--------------	------------	------

*For green blue (5017)*

<b>F-222</b>	light blue [A]	+\$0
--------------	----------------	------

*For signal red (5019)*

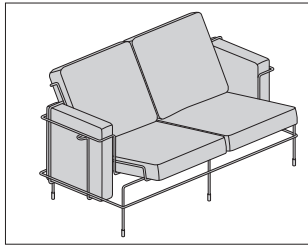
<b>F-088</b>	orange [A]	+\$0
--------------	------------	------

*For dark green (5021)*

<b>F-354</b>	green [A]	+\$0
--------------	-----------	------



Traffic Two-Seater Sofa XXSD2  
 Upholstered (Suitable for Outdoor Use)

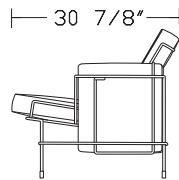
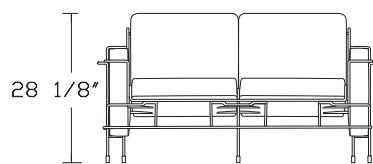
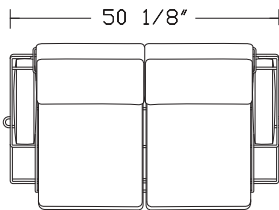


**Product Information**

**Description**

This sofa has a painted steel rod frame and upholstered cushions with removable covers. Suitable for outdoor use.

**Dimensions**



**Specification Information**

**Step 1.**

**XXSD2711** A \$5785

**Step 2. Frame Finish**

**5011** white A + \$0

**Step 3. Seat Fabric**

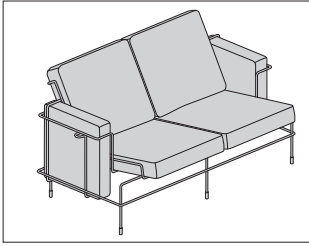
**F-227** turquoise A + \$0

**F-257** blue A + \$0

**F-737** white A + \$0

**F-769** black A + \$0

Traffic Two-Seater Sofa Leather XXSD2



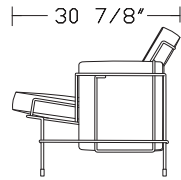
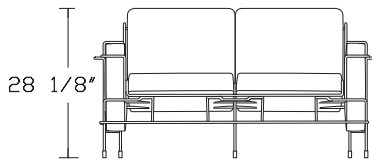
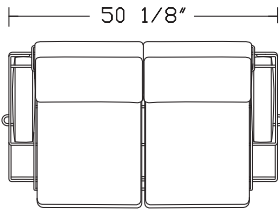
HermanMiller Collection—Lounge Seating

**Product Information**

**Description**

This sofa has a painted steel rod frame and upholstered cushions with removable covers.

**Dimensions**



**Specification Information**

**Step 1.**

**XXSD2714** A \$7837

**Step 2. Frame Finish**

<b>5011</b>	white	<span style="border: 1px solid black; padding: 0 2px;">A</span>	+ \$0
<b>5013</b>	black	<span style="border: 1px solid black; padding: 0 2px;">A</span>	+ \$0
<b>5016</b>	sepia brown	<span style="border: 1px solid black; padding: 0 2px;">A</span>	+ \$0
<b>5021</b>	dark green	<span style="border: 1px solid black; padding: 0 2px;">A</span>	+ \$0

**Step 3. Seat Fabric**

*For white (5011)*

<b>L-0111</b>	brown	<span style="border: 1px solid black; padding: 0 2px;">A</span>	+ \$0
<b>L-0706</b>	cream white	<span style="border: 1px solid black; padding: 0 2px;">A</span>	+ \$0

*For black (5013)*

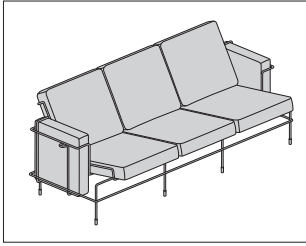
<b>L-0060</b>	anthracite grey	<span style="border: 1px solid black; padding: 0 2px;">A</span>	+ \$0
---------------	-----------------	---	-------

*For dark green (5021)*

<b>L-0111</b>	brown	<span style="border: 1px solid black; padding: 0 2px;">A</span>	+ \$0
<b>L-0752</b>	dark brown	<span style="border: 1px solid black; padding: 0 2px;">A</span>	+ \$0

Traffic Three-Seater Sofa  
Upholstered

XXSD2

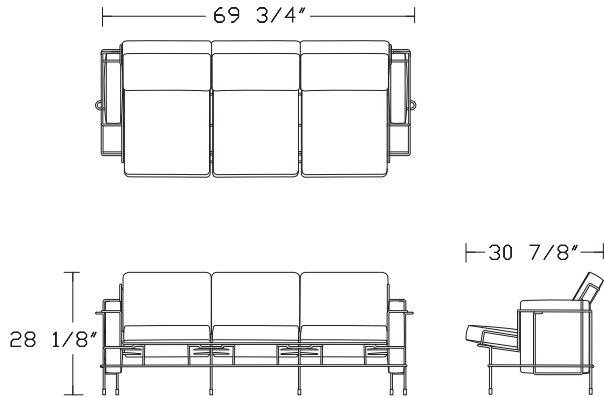


**Product Information**

**Description**

This sofa has a painted steel rod frame and upholstered cushions with removable covers.

**Dimensions**



**Specification Information**

**Step 1.**

**XXSD2715** A \$6279

**Step 2. Frame Finish**

<b>5011</b>	white	<span style="border: 1px solid black; padding: 0 2px;">A</span>	+\$0
<b>5013</b>	black	<span style="border: 1px solid black; padding: 0 2px;">A</span>	+\$0
<b>5016</b>	sepia brown	<span style="border: 1px solid black; padding: 0 2px;">A</span>	+\$0
<b>5017</b>	green blue	<span style="border: 1px solid black; padding: 0 2px;">A</span>	+\$0
<b>5019</b>	signal red	<span style="border: 1px solid black; padding: 0 2px;">A</span>	+\$0
<b>5021</b>	dark green	<span style="border: 1px solid black; padding: 0 2px;">A</span>	+\$0

**Step 3. Seat Fabric**

*For white (5011)*

<b>F-088</b>	orange	<span style="border: 1px solid black; padding: 0 2px;">A</span>	+\$0
<b>F-222</b>	light blue	<span style="border: 1px solid black; padding: 0 2px;">A</span>	+\$0
<b>F-266</b>	beige	<span style="border: 1px solid black; padding: 0 2px;">A</span>	+\$0
<b>F-354</b>	green	<span style="border: 1px solid black; padding: 0 2px;">A</span>	+\$0
<b>F-578</b>	yellow	<span style="border: 1px solid black; padding: 0 2px;">A</span>	+\$0
<b>F-741</b>	light grey	<span style="border: 1px solid black; padding: 0 2px;">A</span>	+\$0

*For black (5013)*

<b>F-521</b>	dark brown	<span style="border: 1px solid black; padding: 0 2px;">A</span>	+\$0
--------------	------------	---	------

*For sepia brown (5016)*

<b>F-578</b>	yellow	<span style="border: 1px solid black; padding: 0 2px;">A</span>	+\$0
--------------	--------	---	------

*For green blue (5017)*

<b>F-222</b>	light blue	<span style="border: 1px solid black; padding: 0 2px;">A</span>	+\$0
--------------	------------	---	------

*For signal red (5019)*

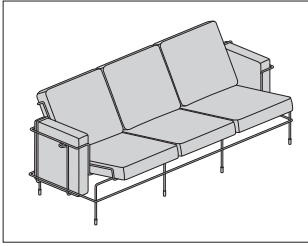
<b>F-088</b>	orange	<span style="border: 1px solid black; padding: 0 2px;">A</span>	+\$0
--------------	--------	---	------

*For dark green (5021)*

<b>F-354</b>	green	<span style="border: 1px solid black; padding: 0 2px;">A</span>	+\$0
--------------	-------	---	------

Traffic Three-Seater Sofa  
 Upholstered (Suitable for Outdoor  
 Use)

XXSD2

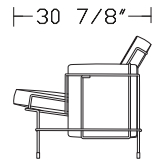
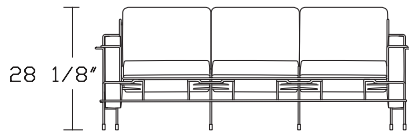
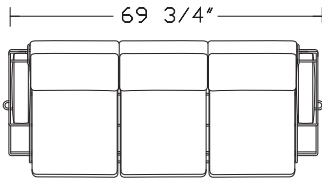


HermanMiller Collection—Lounge Seating

**Product Information**

**Description**  
 This sofa has a painted steel rod frame and upholstered cushions with removable covers. Suitable for outdoor use.

**Dimensions**



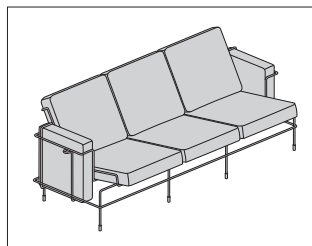
**Specification Information**

**Step 1.**  
**XXSD2716**  A \$6939

**Step 2. Frame Finish**  
**5011** white  A +\$0

**Step 3. Seat Fabric**  
**F-227** turquoise  A +\$0  
**F-257** blue  A +\$0  
**F-737** white  A +\$0  
**F-769** black  A +\$0

Traffic Three-Seater Sofa Leather XXSD2

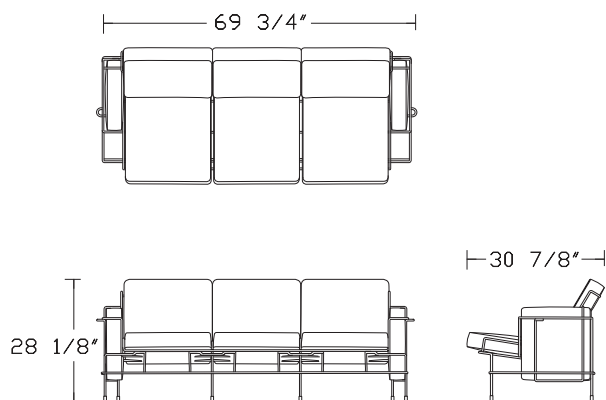


**Product Information**

**Description**

This sofa has a painted steel rod frame and upholstered cushions with removable covers.

**Dimensions**



**Specification Information**

**Step 1.**

**XXSD2718** [A] \$9327

**Step 2. Frame Finish**

- 5011** white [A] +\$0
- 5013** black [A] +\$0
- 5016** sepia brown [A] +\$0
- 5021** dark green [A] +\$0

**Step 3. Seat Fabric**

*For white (5011)*

- L-0111** brown l [A] +\$0
- L-0706** cream white l [A] +\$0

*For black (5013)*

- L-0060** anthracite grey l [A] +\$0

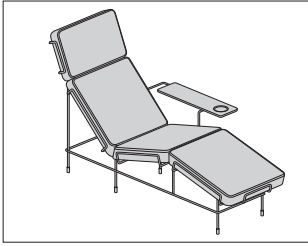
*For dark green (5021)*

- L-0111** brown l [A] +\$0
- L-0752** dark brown l [A] +\$0

HermanMiller Collection—Lounge Seating

Traffic Chaise Lounge  
Upholstered

XXSD2



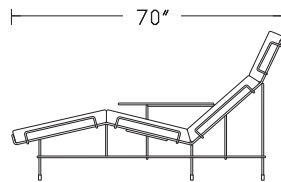
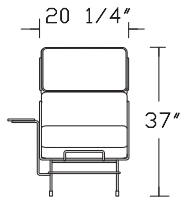
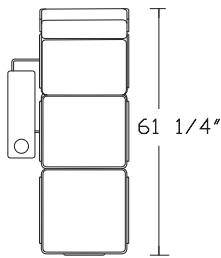
HermanMiller Collection—Lounge Seating

**Product Information**

**Description**

This chaise lounge has a painted steel rod frame and upholstered cushions with removable covers.

**Dimensions**



**Specification Information**

**Step 1.**

**XXSD2720** [A] \$3931

**Step 2. Frame Finish**

<b>5011</b>	white [A]	+\$0
<b>5013</b>	black [A]	+\$0
<b>5016</b>	sepia brown [A]	+\$0
<b>5017</b>	green blue [A]	+\$0
<b>5019</b>	signal red [A]	+\$0
<b>5021</b>	dark green [A]	+\$0

**Step 3. Seat Fabric**

*For white (5011)*

<b>F-088</b>	orange [A]	+\$0
<b>F-222</b>	light blue [A]	+\$0
<b>F-266</b>	beige [A]	+\$0
<b>F-354</b>	green [A]	+\$0
<b>F-578</b>	yellow [A]	+\$0
<b>F-741</b>	light grey [A]	+\$0

*For black (5013)*

<b>F-521</b>	dark brown [A]	+\$0
--------------	----------------	------

*For sepia brown (5016)*

<b>F-578</b>	yellow [A]	+\$0
--------------	------------	------

*For green blue (5017)*

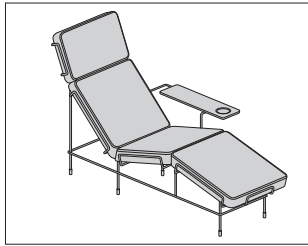
<b>F-222</b>	light blue [A]	+\$0
--------------	----------------	------

*For signal red (5019)*

<b>F-088</b>	orange [A]	+\$0
--------------	------------	------

*For dark green (5021)*

<b>F-354</b>	green [A]	+\$0
--------------	-----------	------

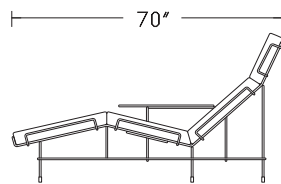
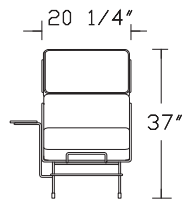
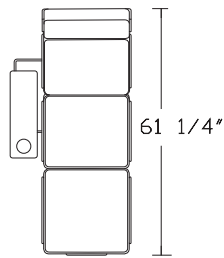


**Product Information**

**Description**

This chaise lounge has a painted steel rod frame and upholstered cushions with removable covers.

**Dimensions**



**Specification Information**

**Step 1.**

**XXSD2724** [A] \$6106

**Step 2. Frame Finish**

- 5011** white [A] +\$0
- 5013** black [A] +\$0
- 5016** sepia brown [A] +\$0
- 5021** dark green [A] +\$0

**Step 3. Seat Fabric**

*For white (5011)*

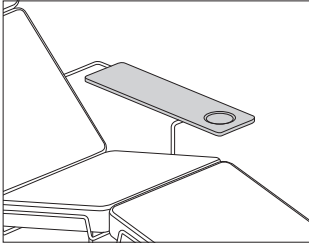
- L-0111** brown l [A] +\$0
- L-0706** cream white l [A] +\$0

*For black (5013)*

- L-0060** anthracite grey l [A] +\$0

*For dark green (5021)*

- L-0111** brown l [A] +\$0
- L-0752** dark brown l [A] +\$0

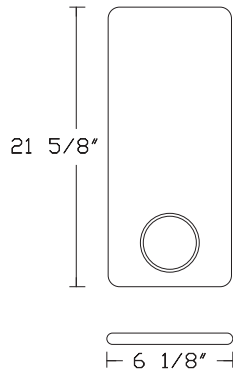


Herman Miller Collection—Lounge Seating

**Product Information**

**Description**  
 This tablet is constructed of acrylic stone and may be used with a Traffic armchair, sofa or platform bench. Top is 12mm thick. Frame purchased separately.

**Dimensions**



**Specification Information**

**Step 1.**  
**XXSD2760** [A] \$209

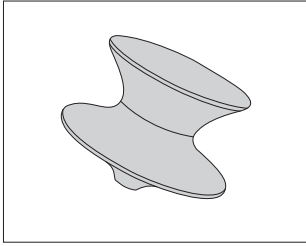
**Step 2. Stone Top**

<b>WH</b>	white [A]	+\$0
<b>AG</b>	anthracite grey [A]	+\$0
<b>DG</b>	dark green [A]	+\$0



# Spun Rotating Chair

MGN00.

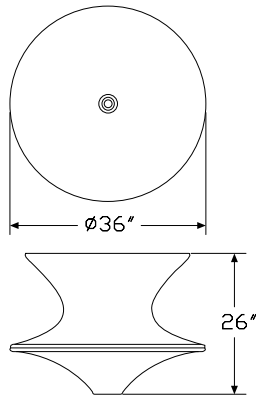


## Product Information

### Description

This rotating low chair is made from polyethylene and is suitable for outdoor use.

### Dimensions



## Specification Information

### Step 1.

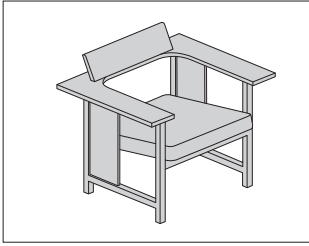
**MGN00.** \$772

### Step 2. Finish

<b>YLB</b>	dark purple <input type="checkbox"/> A	+\$0
<b>YLD</b>	red <input type="checkbox"/> A	+\$0
<b>YLG</b>	white <input type="checkbox"/> A	+\$0
<b>YLH</b>	grey anthracite <input type="checkbox"/> A	+\$0

# Clerici Armchair

MGCL00



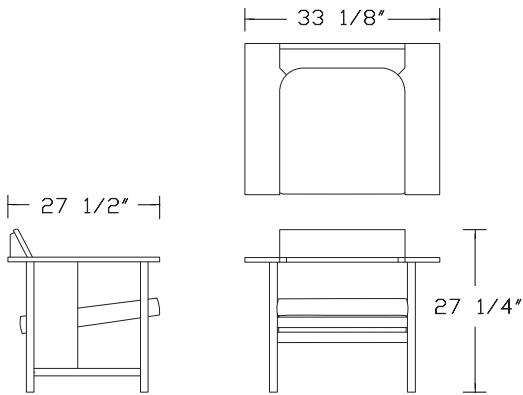
HermanMiller Collection—Lounge Seating

## Product Information

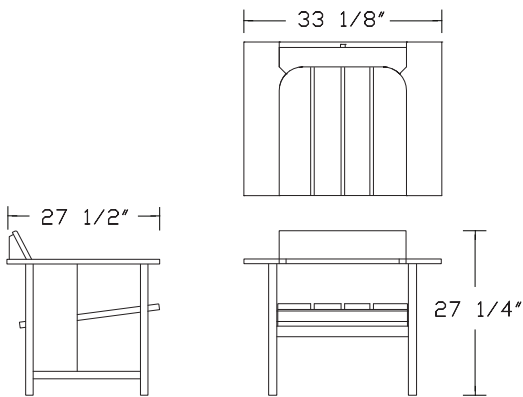
### Description

This solid wood armchair has an ash, iroko, or oak frame with the option of an upholstered seat. The seat on the iroko option has slats instead of a solid seat surface.

### Dimensions



with cushion



Iroko option without cushion

## Specification Information

### Step 1.

**MGCL0**

### Step 2. Upholstery

**0.** nonupholstered

**0.U** upholstered

### Prices for Steps 1-2.

<b>MGCL00.</b>	\$1400
<b>MGCL00.U</b>	\$2330

### Step 3. Frame

#### For nonupholstered (o.)

<b>YSA</b> ash <input type="checkbox"/>	+\$0
<b>RKW</b> iroko <input type="checkbox"/>	+\$125
<b>YFC</b> oak <input type="checkbox"/>	+\$250

#### For upholstered (o.U)

<b>YFC</b> oak <input type="checkbox"/>	+\$250
---	--------

### Step 4. Finish

#### For ash (YSA)

<b>YMP</b> grey <input type="checkbox"/>	+\$0
<b>YRL</b> red <input type="checkbox"/>	+\$0
<b>YNL</b> natural <input type="checkbox"/>	+\$0

#### For oak (YFC) or iroko (RKW)

<b>YNL</b> natural <input type="checkbox"/>	+\$0
---	------

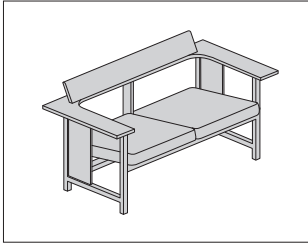
### Step 5. Leather

#### For oak (YFC)

<b>YLJ</b> cuoio leather <input type="checkbox"/>	+\$0
<b>YLK</b> marrone leather <input type="checkbox"/>	+\$0

# Clerici Two Seat Bench

MGCL02

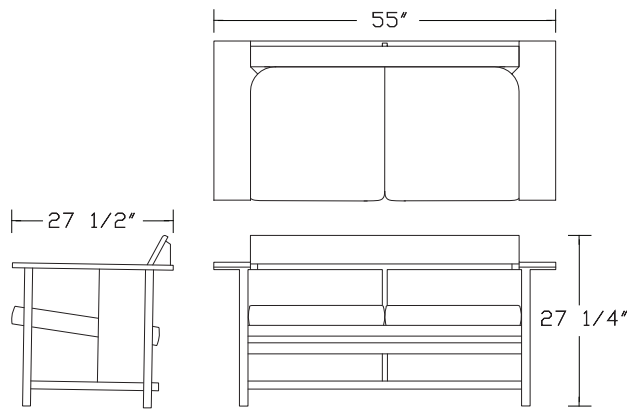


### Product Information

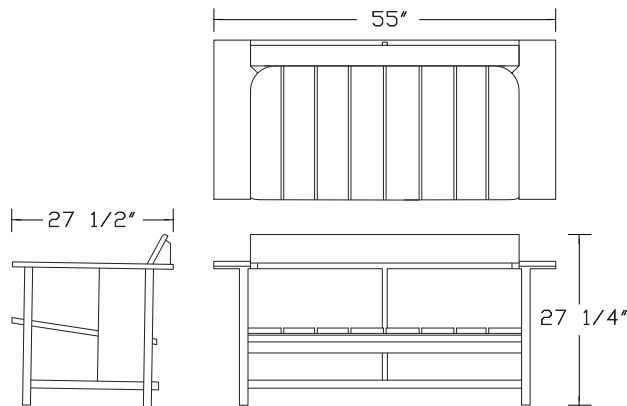
#### Description

This solid wood 2-seat bench has an ash, iroko, or oak frame with the option of an upholstered seat. The seat on the iroko option has slats instead of a solid seat surface.

#### Dimensions



with cushion



Iroko option without cushion

### Specification Information

#### Step 1.

**MGCL0**

#### Step 2. Upholstery

**2.** two seat bench, nonupholstered

**2.U** two seat bench, upholstered

#### Prices for Steps 1-2.

<b>MGCL02.</b>	\$2466
<b>MGCL02.U</b>	\$4430

#### Step 3. Frame

##### For two seat bench, nonupholstered (2.)

<b>YSA</b> ash <input type="checkbox"/>	+\$0
<b>YFC</b> oak <input type="checkbox"/>	+\$0
<b>RKW</b> iroko <input type="checkbox"/>	+\$300

##### For two seat bench, upholstered (2.U)

<b>YFC</b> oak <input type="checkbox"/>	+\$500
---	--------

#### Step 4. Finish

##### For ash (YSA)

<b>YMP</b> grey <input type="checkbox"/>	+\$0
<b>YRL</b> red <input type="checkbox"/>	+\$0
<b>YNL</b> natural <input type="checkbox"/>	+\$0

##### For oak (YFC) or iroko (RKW)

<b>YNL</b> natural <input type="checkbox"/>	+\$0
---	------

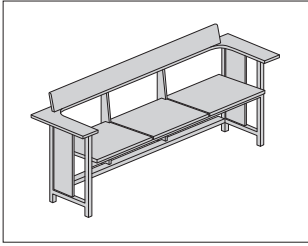
#### Step 5. Leather

##### For two seat bench, upholstered (2.U)

<b>YLJ</b> cuoio leather <input type="checkbox"/>	+\$0
<b>YLK</b> marrone leather <input type="checkbox"/>	+\$0

Clerici Three Seat Bench

MGCL03



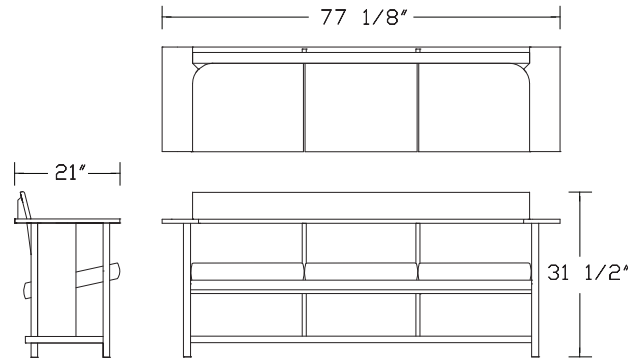
HermanMiller Collection—Lounge Seating

**Product Information**

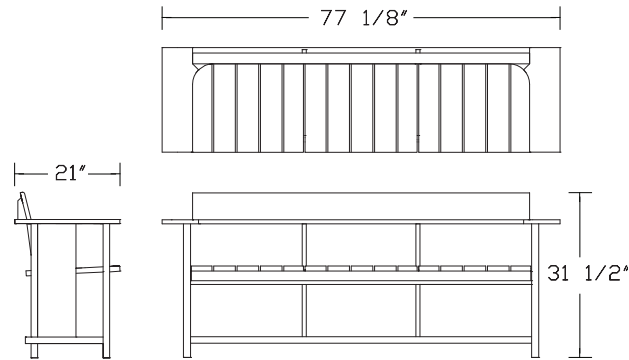
**Description**

This solid wood 3-seat bench has an ash, iroko, or oak frame. The seat on the iroko option has slats instead of a solid seat surface.

**Dimensions**



with cushion



Iroko option without cushion

**Specification Information**

**Step 1.**

**MGCL03.** [A] \$2525

**Step 2. Frame**

**YSA** ash [A] +\$0  
**YFC** oak [A] +\$575  
**RKW** iroko [A] +\$1600

**Step 3. Finish**

*For ash (YSA)*

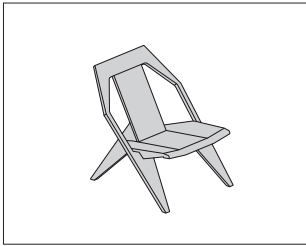
**YMP** grey [A] +\$0  
**YRL** red [A] +\$0  
**YNL** natural [A] +\$0

*For oak (YFC) or iroko (RKW)*

**YNL** natural [A] +\$0

# Medici Chair

MGM00.

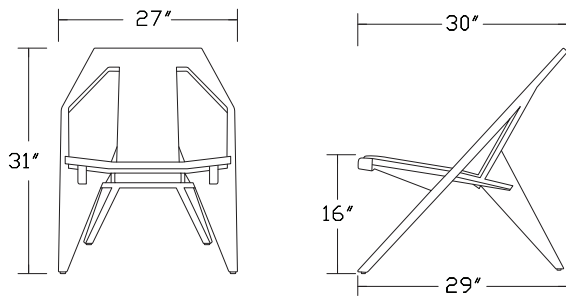


### Product Information

#### Description

This solid wood chair with armrests is available in ash, walnut and Douglas fir.

#### Dimensions



### Specification Information

#### Step 1.

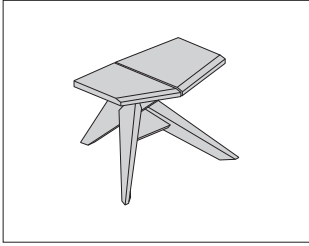
**MGM00.** A

#### Step 3. Frame Finish

- ZQF** yellow anilin ash A
- ZQH** douglas fir natural waxed A
- ZQJ** grey anilin ash A
- ZPA** red anilin ash A
- ZPB** black anilin ash A
- ZQG** natural walnut waxed A

#### Prices for Steps 1-3.

<b>MGM00.ZQF</b>	\$1750
<b>ZQH</b>	\$1750
<b>ZQJ</b>	\$1750
<b>ZPA</b>	\$1750
<b>ZPB</b>	\$1750
<b>ZQG</b>	\$2200

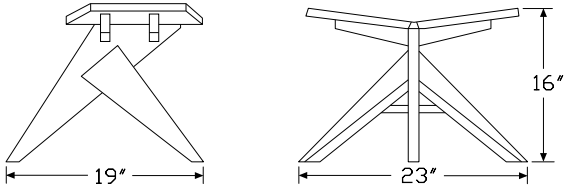


HermanMiller Collection—Lounge Seating

**Product Information**

**Description**  
This solid wood stool is available in ash, walnut and Douglas fir.

**Dimensions**



**Specification Information**

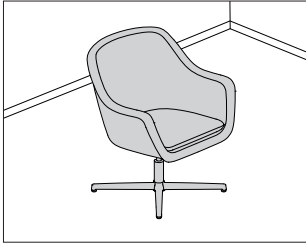
**Step 1.**  
**MGV20.** [A] \$974

**Step 2. Frame Finish**

- ZQF** yellow anilin ash [A] +\$0
- ZQH** douglas fir natural waxed [A] +\$0
- ZQJ** grey anilin ash [A] +\$0
- ZPA** red anilin ash [A] +\$0
- ZPB** black anilin ash [A] +\$0
- ZQG** natural walnut waxed [A] +\$225

# Bumper Lounge Chair

SBR4N



### Product Information

#### Description

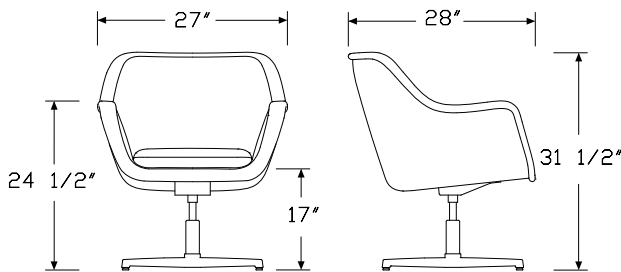
This lounge chair has upholstered inner and outer shells and arm cap, each made from one continuous piece of fabric or leather, and an upholstered seat cushion. The frame is rigid molded urethane with foam inserts, and seat and back are FR foam over rigid inserts. The 4-star, swivel-return base is polished cast aluminum with black glides.

#### Notes

Customers Own Material (COM) requires 2½ yards for the shell inside and outside, an additional 1¾ yards for the arm cap and cushion, or 4¼ yards when specify entire chair in the same fabric. See Order Information in Appendices.

Customers Own Leather (COL) requires 45 square feet for the shell inside and outside, an additional 31½ square feet for the arm cap and cushion, or 76½ yards when specify entire chair in the same leather. See Order Information in Appendices.

#### Dimensions



### Specification Information

#### Step 1.

**SBR4N** A \$1865

#### Step 2. Shell Upholstery

Price Category FF	+\$0
Price Category 1	+\$0
Price Category 2	+\$118
Price Category (Geiger) 2	+\$0
Price Category (Geiger) 3	+\$148
Price Category 3	+\$148
Price Category (Geiger) 4	+\$180
Price Category 4	+\$180
Price Category (Geiger) 5	+\$263
Price Category 5	+\$263
Price Category (Geiger) 6	+\$345
Price Category (Geiger) 7	+\$428
Price Category (Geiger) 8	+\$655
Price Category 9	+\$813
Price Category (Geiger) 10	+\$935
Price Category (Geiger) 11	+\$1048
Price Category 11	+\$1048
Price Category (Geiger) D	+\$175
Price Category (Geiger) E	+\$213
Price Category (Geiger) F	+\$255
Price Category (Geiger) G	+\$348
Price Category (Geiger) H	+\$433
Price Category (Geiger) I	+\$523
Price Category (Geiger) J	+\$613
Price Category (Geiger) K	+\$703
Price Category (Geiger) L	+\$793
Price Category (Geiger) M	+\$883
Price Category (Geiger) N	+\$973
Price Category (Geiger) O	+\$1063
Price Category (Geiger) P	+\$1150
Price Category (Geiger) Q	+\$1328
Price Category (Geiger) R	+\$1850
Price Category (Geiger) S	+\$1988
Price Category (Geiger) T	+\$2125
Price Category (Geiger) U	+\$2263
Price Category (Geiger) X	+\$2675
Price Category (Geiger) Y	+\$2813
Price Category (Geiger) COL <span style="border: 1px solid black; padding: 0 2px;">A</span>	+\$306
Price Category (Geiger) COM <span style="border: 1px solid black; padding: 0 2px;">A</span>	+\$0

#### Step 3. Arm Cap and Cushion Upholstery

Price Category FF \$0

# Bumper Lounge Chair *continued*

Price Category 1	+\$0
Price Category 2	+\$82
Price Category (Geiger) 3	+\$103
Price Category 3	+\$103
Price Category (Geiger) 4	+\$126
Price Category 4	+\$126
Price Category (Geiger) 5	+\$184
Price Category 5	+\$184
Price Category (Geiger) 6	+\$242
Price Category (Geiger) 7	+\$299
Price Category (Geiger) 8	+\$459
Price Category 9	+\$569
Price Category (Geiger) 10	+\$655
Price Category (Geiger) 11	+\$733
Price Category 11	+\$733
Price Category (Geiger) D	+\$123
Price Category (Geiger) E	+\$149
Price Category (Geiger) F	+\$179
Price Category (Geiger) G	+\$243
Price Category (Geiger) H	+\$303
Price Category (Geiger) I	+\$366
Price Category (Geiger) J	+\$429
Price Category (Geiger) K	+\$492
Price Category (Geiger) L	+\$555
Price Category (Geiger) M	+\$618
Price Category (Geiger) O	+\$744
Price Category (Geiger) P	+\$805
Price Category (Geiger) Q	+\$929
Price Category (Geiger) R	+\$1295
Price Category (Geiger) S	+\$1391
Price Category (Geiger) X	+\$1873
Price Category (Geiger) Y	+\$1969
Price Category (Geiger) COL <input type="checkbox"/> A	+\$95
Price Category (Geiger) COM <input type="checkbox"/> A	+\$0

## Step 4. Base Finish

<b>CD</b>	polished aluminum <input type="checkbox"/> A	+\$0
-----------	--	------

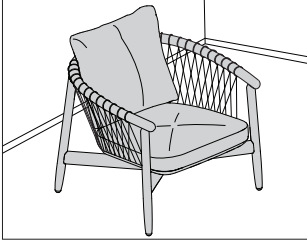
## Step 5. Fire Retardancy

<b>NOCAL</b>	not fire retardant <input type="checkbox"/> A	+\$0
<b>133</b>	fire retardant <input type="checkbox"/> A	+\$276



# Crosshatch Lounge Chair

SES1A  
SES1W



### Product Information

#### Description

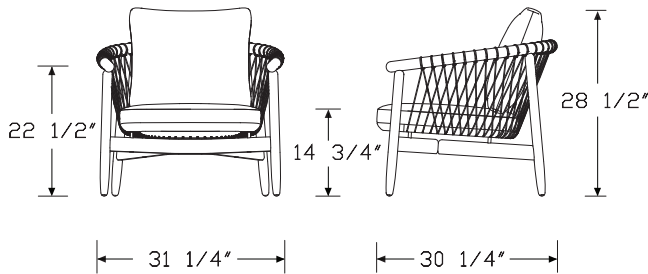
This lounge chair has a solid wood frame with cushions made of foam and DACRON®. Chair cord comes in several color options. Fire retardant chair meets CAL 133 requirements.

#### Notes

Cord color is specified separately from cushion color.

Customer's Own Material (COM) requires 1½ yards. Customer's Own Leather (COL) requires 27 square feet. See Order Information in Appendices.

#### Dimensions



### Specification Information

#### Step 1.

**SES1** A

#### Step 2. Frame Finish

**A** ash A

**W** walnut A

#### Prices for Steps 1-2.

<b>SES1A</b>	\$2565
<b>SES1W</b>	\$3047

#### Step 3. Wood Finish

##### RecoGrain Veneer

##### For ash (A)

<b>66G</b>	recograin wenge <span style="border: 1px solid black; padding: 0 2px;">A</span>	+\$0
<b>68W</b>	recograin walnut, flat cut, matte sheen <span style="border: 1px solid black; padding: 0 2px;">A</span>	+\$0
<b>69G</b>	recograin wenge <span style="border: 1px solid black; padding: 0 2px;">A</span>	+\$0
<b>69W</b>	recograin walnut, quarter cut, matte sheen <span style="border: 1px solid black; padding: 0 2px;">A</span>	+\$0

##### Recon Veneer -

##### For ash (A)

<b>98W</b>	recograin walnut, flat cut, low sheen <span style="border: 1px solid black; padding: 0 2px;">A</span>	+\$0
<b>99G</b>	recograin wenge, quarter cut, low sheen <span style="border: 1px solid black; padding: 0 2px;">A</span>	+\$0
<b>99W</b>	recograin walnut, quarter cut, low sheen <span style="border: 1px solid black; padding: 0 2px;">A</span>	+\$0

##### Low Sheen Finishes (on Ash)

##### For ash (A)

<b>967</b>	smoked paldao, low sheen <span style="border: 1px solid black; padding: 0 2px;">A</span>	+\$0
<b>969</b>	warm paldao, low sheen <span style="border: 1px solid black; padding: 0 2px;">A</span>	+\$0

# Crosshatch Lounge Chair *continued*

## Low Sheen Finishes (on Ash)

*For ash (A)*

<b>G2U</b>	light brown walnut, low sheen <span style="border: 1px solid black; padding: 0 2px;">A</span>	+\$0
<b>G40</b>	dark brown walnut, low sheen <span style="border: 1px solid black; padding: 0 2px;">A</span>	+\$0
<b>940</b>	sundance cherry on maple <span style="border: 1px solid black; padding: 0 2px;">A</span>	+\$0
<b>943</b>	caramel cherry <span style="border: 1px solid black; padding: 0 2px;">A</span>	+\$0
<b>946</b>	cocoa cherry <span style="border: 1px solid black; padding: 0 2px;">A</span>	+\$0
<b>956</b>	cocoa sapele <span style="border: 1px solid black; padding: 0 2px;">A</span>	+\$0
<b>962</b>	toasted walnut, low sheen <span style="border: 1px solid black; padding: 0 2px;">A</span>	+\$0
<b>963</b>	charred walnut, low sheen <span style="border: 1px solid black; padding: 0 2px;">A</span>	+\$0
<b>964</b>	bronzed walnut, low sheen <span style="border: 1px solid black; padding: 0 2px;">A</span>	+\$0
<b>965</b>	smoked walnut, low sheen <span style="border: 1px solid black; padding: 0 2px;">A</span>	+\$0
<b>966</b>	coffee walnut, low sheen <span style="border: 1px solid black; padding: 0 2px;">A</span>	+\$0
<b>977</b>	chocolate ash, low sheen <span style="border: 1px solid black; padding: 0 2px;">A</span>	+\$0
<b>98R</b>	recograin rosewood <span style="border: 1px solid black; padding: 0 2px;">A</span>	+\$0
<b>991</b>	champagne ash <span style="border: 1px solid black; padding: 0 2px;">A</span>	+\$0
<b>998</b>	ebony ash <span style="border: 1px solid black; padding: 0 2px;">A</span>	+\$0
<b>99A</b>	recograin frosty ash <span style="border: 1px solid black; padding: 0 2px;">A</span>	+\$0
<b>99R</b>	recograin rosewood <span style="border: 1px solid black; padding: 0 2px;">A</span>	+\$0
<b>99T</b>	recograin teak <span style="border: 1px solid black; padding: 0 2px;">A</span>	+\$0
<b>9A1</b>	white ash, quarter cut, low sheen <span style="border: 1px solid black; padding: 0 2px;">A</span>	+\$0
<b>9K1</b>	rift oak, rift cut, low sheen <span style="border: 1px solid black; padding: 0 2px;">A</span>	+\$0
<b>9K6</b>	burnt oak, rift cut, low sheen <span style="border: 1px solid black; padding: 0 2px;">A</span>	+\$0
<b>ED</b>	aged cherry <span style="border: 1px solid black; padding: 0 2px;">A</span>	+\$0
<b>EK</b>	medium red walnut <span style="border: 1px solid black; padding: 0 2px;">A</span>	+\$0
<b>UX</b>	walnut on cherry <span style="border: 1px solid black; padding: 0 2px;">A</span>	+\$0

## Matte Sheen Finishes (on Ash)

*For ash (A)*

<b>66A</b>	recograin frosty ash <span style="border: 1px solid black; padding: 0 2px;">A</span>	+\$0
<b>677</b>	chocolate ash, matte sheen <span style="border: 1px solid black; padding: 0 2px;">A</span>	+\$0
<b>68R</b>	recograin rosewood <span style="border: 1px solid black; padding: 0 2px;">A</span>	+\$0
<b>69A</b>	recograin frosty ash <span style="border: 1px solid black; padding: 0 2px;">A</span>	+\$0
<b>69R</b>	recograin rosewood <span style="border: 1px solid black; padding: 0 2px;">A</span>	+\$0
<b>69T</b>	recograin teak <span style="border: 1px solid black; padding: 0 2px;">A</span>	+\$0
<b>6A1</b>	white ash <span style="border: 1px solid black; padding: 0 2px;">A</span>	+\$0
<b>6K1</b>	rift oak <span style="border: 1px solid black; padding: 0 2px;">A</span>	+\$0
<b>6K6</b>	burnt oak <span style="border: 1px solid black; padding: 0 2px;">A</span>	+\$0
<b>ET</b>	clear on ash <span style="border: 1px solid black; padding: 0 2px;">A</span>	+\$0
<b>EU</b>	oak on ash <span style="border: 1px solid black; padding: 0 2px;">A</span>	+\$0
<b>EV</b>	walnut on ash <span style="border: 1px solid black; padding: 0 2px;">A</span>	+\$0
<b>GOU</b>	natural walnut, flat cut, matte sheen <span style="border: 1px solid black; padding: 0 2px;">A</span>	+\$0

## Anigre Veneer - Low Sheen

*For walnut (W)*

<b>967</b>	smoked paldao, low sheen <span style="border: 1px solid black; padding: 0 2px;">A</span>	+\$0
<b>969</b>	warm paldao, low sheen <span style="border: 1px solid black; padding: 0 2px;">A</span>	+\$0

## Premium Veneer - Matte

*For walnut (W)*

<b>667</b>	smoked paldao, quarter cut, matte sheen <span style="border: 1px solid black; padding: 0 2px;">A</span>	+\$0
<b>669</b>	warm paldao, quarter cut, matte sheen <span style="border: 1px solid black; padding: 0 2px;">A</span>	+\$0
<b>662</b>	toasted walnut, matte sheen <span style="border: 1px solid black; padding: 0 2px;">A</span>	+\$0
<b>663</b>	charred walnut, matte sheen <span style="border: 1px solid black; padding: 0 2px;">A</span>	+\$0
<b>664</b>	bronzed walnut, matte sheen <span style="border: 1px solid black; padding: 0 2px;">A</span>	+\$0
<b>665</b>	smoked walnut, matte sheen <span style="border: 1px solid black; padding: 0 2px;">A</span>	+\$0
<b>666</b>	coffee walnut, matte sheen <span style="border: 1px solid black; padding: 0 2px;">A</span>	+\$0
<b>68R</b>	recograin rosewood <span style="border: 1px solid black; padding: 0 2px;">A</span>	+\$0
<b>69R</b>	recograin rosewood <span style="border: 1px solid black; padding: 0 2px;">A</span>	+\$0
<b>GOU</b>	natural walnut, flat cut, matte sheen <span style="border: 1px solid black; padding: 0 2px;">A</span>	+\$0

## RecoGrain Veneer

*For walnut (W)*

<b>66G</b>	recograin wenge <span style="border: 1px solid black; padding: 0 2px;">A</span>	+\$0
<b>69G</b>	recograin wenge <span style="border: 1px solid black; padding: 0 2px;">A</span>	+\$0

## Recon Veneer -

*For walnut (W)*

<b>96G</b>	wenge recograin, quarter cut, low sheen <span style="border: 1px solid black; padding: 0 2px;">A</span>	+\$0
<b>99G</b>	recograin wenge, quarter cut, low sheen <span style="border: 1px solid black; padding: 0 2px;">A</span>	+\$0

## Low Sheen Finishes (on Walnut)

*For walnut (W)*

<b>G2U</b>	light brown walnut, low sheen <span style="border: 1px solid black; padding: 0 2px;">A</span>	+\$0
<b>G40</b>	dark brown walnut, low sheen <span style="border: 1px solid black; padding: 0 2px;">A</span>	+\$0
<b>962</b>	toasted walnut, low sheen <span style="border: 1px solid black; padding: 0 2px;">A</span>	+\$0
<b>963</b>	charred walnut, low sheen <span style="border: 1px solid black; padding: 0 2px;">A</span>	+\$0
<b>964</b>	bronzed walnut, low sheen <span style="border: 1px solid black; padding: 0 2px;">A</span>	+\$0
<b>965</b>	smoked walnut, low sheen <span style="border: 1px solid black; padding: 0 2px;">A</span>	+\$0
<b>966</b>	coffee walnut, low sheen <span style="border: 1px solid black; padding: 0 2px;">A</span>	+\$0
<b>972</b>	sundance walnut <span style="border: 1px solid black; padding: 0 2px;">A</span>	+\$0
<b>98R</b>	recograin rosewood <span style="border: 1px solid black; padding: 0 2px;">A</span>	+\$0
<b>99R</b>	recograin rosewood <span style="border: 1px solid black; padding: 0 2px;">A</span>	+\$0
<b>EK</b>	medium red walnut <span style="border: 1px solid black; padding: 0 2px;">A</span>	+\$0

## Step 4. Seat/Cushion

Price Category 1	+\$59
Price Category (Geiger) 2	+\$0
Price Category 2	+\$71
Price Category (Geiger) 3	+\$89
Price Category 3	+\$89
Price Category (Geiger) 4	+\$108
Price Category 4	+\$108
Price Category (Geiger) 5	+\$158
Price Category 5	+\$158

# Crosshatch Lounge Chair *continued*

Price Category (Geiger) 6	+\$207
Price Category (Geiger) 7	+\$257
Price Category (Geiger) 8	+\$393
Price Category (Geiger) 9	+\$488
Price Category 9	+\$488
Price Category (Geiger) 10	+\$561
Price Category (Geiger) 11	+\$629
Price Category 11	+\$629
Price Category 14	+\$824
Price Category (Geiger) D	+\$105
Price Category (Geiger) E	+\$128
Price Category (Geiger) F	+\$153
Price Category (Geiger) G	+\$209
Price Category (Geiger) H	+\$260
Price Category (Geiger) I	+\$314
Price Category (Geiger) J	+\$368
Price Category (Geiger) K	+\$422
Price Category (Geiger) L	+\$476
Price Category (Geiger) M	+\$530
Price Category (Geiger) N	+\$584
Price Category (Geiger) O	+\$638
Price Category (Geiger) P	+\$690
Price Category (Geiger) Q	+\$797
Price Category (Geiger) R	+\$1110
Price Category (Geiger) U	+\$1358
Price Category (Geiger) COM <input type="checkbox"/>	+\$0
Price Category (Geiger) COL <input type="checkbox"/>	+\$108

## Step 5. Cord

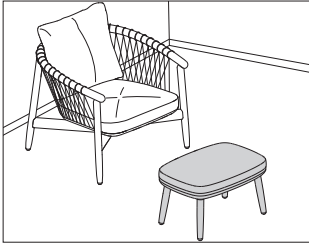
<b>CBK</b> black cord <input type="checkbox"/>	+\$0
<b>CBR</b> dark brown cord <input type="checkbox"/>	+\$0
<b>CCM</b> cream cord <input type="checkbox"/>	+\$0
<b>CGY</b> gray cord <input type="checkbox"/>	+\$0

## Step 6. Fire Retardancy

<b>NOCAL</b> no cal-133 required <input type="checkbox"/>	+\$0
<b>133</b> cal-133 required <input type="checkbox"/>	+\$98

# Crosshatch Ottoman

SES3A  
SES3W



HermanMiller Collection—Lounge Seating

## Product Information

### Description

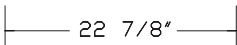
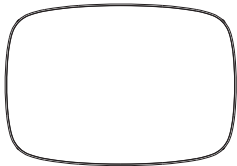
This ottoman has a solid wood frame with an upholstered cushion. Frame comes in ash or walnut.

### Notes

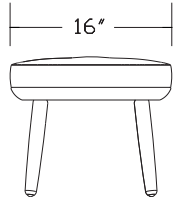
Fire retardant chair meets CAL 133 requirements.

Customer's Own Material (COM) requires  $\frac{3}{4}$  yards. Customer's Own Leather (COL) requires  $13\frac{1}{2}$  square feet. See Order Information in appendices.

### Dimensions



13 7/8"



## Specification Information

### Step 1.

**SES3**  A

### Step 2. Wood Species

**A** ash  A

**W** walnut  A

### Prices for Steps 1-2.

<b>SES3A</b>	\$990
<b>SES3W</b>	\$1140

### Step 3. Wood Finish

#### Low Sheen Finishes (on Ash)

##### For ash (A)

<b>932</b>	sundance anigre <input type="checkbox"/> A	+\$0
<b>933</b>	caramel anigre <input type="checkbox"/> A	+\$0
<b>934</b>	henna anigre <input type="checkbox"/> A	+\$0

##### For ash (A)

<b>943</b>	caramel cherry <input type="checkbox"/> A	+\$0
<b>944</b>	henna cherry <input type="checkbox"/> A	+\$0
<b>945</b>	port cherry <input type="checkbox"/> A	+\$0
<b>946</b>	cocoa cherry <input type="checkbox"/> A	+\$0
<b>954</b>	henna sapele <input type="checkbox"/> A	+\$0
<b>955</b>	port sapele <input type="checkbox"/> A	+\$0
<b>956</b>	cocoa sapele <input type="checkbox"/> A	+\$0
<b>957</b>	espresso sapele <input type="checkbox"/> A	+\$0
<b>991</b>	champagne ash <input type="checkbox"/> A	+\$0
<b>998</b>	ebony ash <input type="checkbox"/> A	+\$0
<b>ED</b>	aged cherry <input type="checkbox"/> A	+\$0

#### Matte Sheen Finishes (on Ash)

##### For ash (A)

<b>6A1</b>	white ash <input type="checkbox"/> A	+\$0
<b>6A2</b>	platinum ash <input type="checkbox"/> A	+\$0
<b>6K6</b>	burnt oak <input type="checkbox"/> A	+\$0
<b>GOU</b>	natural walnut, flat cut, matte sheen <input type="checkbox"/> A	+\$0

Crosshatch Ottoman *continued*

---

Low Sheen Finishes (on Walnut)

*For walnut (W)*

---

<b>2U</b>	light brown walnut <input type="checkbox"/>	+\$0
<b>40</b>	dark brown walnut <input type="checkbox"/>	+\$0
<b>973</b>	caramel walnut <input type="checkbox"/>	+\$0
<b>974</b>	henna walnut <input type="checkbox"/>	+\$0
<b>975</b>	port walnut <input type="checkbox"/>	+\$0
<b>976</b>	cocoa walnut <input type="checkbox"/>	+\$0
<b>EK</b>	medium red walnut <input type="checkbox"/>	+\$0

---

Matte Sheen Finishes (on Walnut)

*For walnut (W)*

---

<b>OUG</b>	walnut <input type="checkbox"/>	+\$0
------------	---------------------------------	------

---

*For walnut (W)*

---

<b>GOU</b>	natural walnut, flat cut, matte sheen <input type="checkbox"/>	+\$0
------------	--	------

---

Step 4. Fabric

Price Category (Geiger) COM <input type="checkbox"/>	+\$0
Price Category (Geiger) COL <input type="checkbox"/>	+\$54
Price Category 1	+\$29
Price Category 2	+\$35
Price Category (Geiger) 3	+\$44
Price Category 3	+\$44
Price Category (Geiger) 4	+\$54
Price Category 4	+\$54
Price Category (Geiger) 5	+\$79
Price Category 5	+\$79
Price Category (Geiger) 6	+\$104
Price Category (Geiger) 7	+\$128
Price Category (Geiger) 8	+\$197
Price Category (Geiger) 9	+\$244
Price Category 9	+\$244
Price Category (Geiger) 10	+\$281
Price Category (Geiger) 11	+\$314
Price Category (Geiger) 14	+\$412
Price Category (Geiger) D	+\$53
Price Category (Geiger) E	+\$64
Price Category (Geiger) F	+\$77
Price Category (Geiger) G	+\$104
Price Category (Geiger) H	+\$130
Price Category (Geiger) I	+\$157
Price Category (Geiger) J	+\$184
Price Category (Geiger) K	+\$211
Price Category (Geiger) L	+\$238
Price Category (Geiger) M	+\$265
Price Category (Geiger) N	+\$292

Price Category (Geiger) O	+\$319
Price Category (Geiger) P	+\$345
Price Category (Geiger) Q	+\$398
Price Category (Geiger) R	+\$555
Price Category (Geiger) U	+\$679

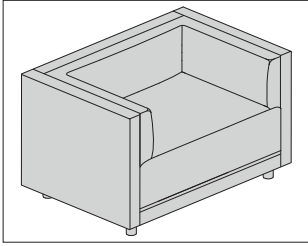
---

Step 5. Fire Retardancy

<b>NOCAL</b> no cal-133 required <input type="checkbox"/>	+\$0
<b>133</b> cal-133 required <input type="checkbox"/>	+\$49

# Rolled Arm Club Chair

SBRA-



HermanMiller Collection—Lounge Seating

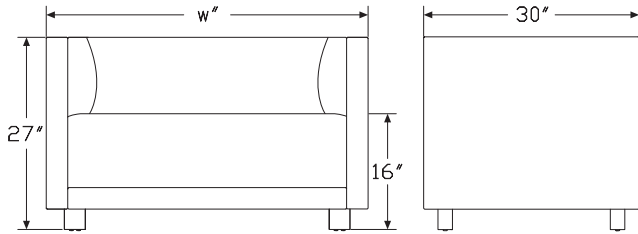
## Product Information

**Description**  
 This 43" wide chair is made of plywood with FR foam and Dacron® on the seat and back. The arms consist of FR foam, Dacron, and polyfoam. The legs are solid ash or walnut.

## Notes

Customers Own Material (COM) requires 6 yards. Customers Own Leather (COL) requires 108 square feet. See Order Information in Appendices.

## Dimensions



## Specification Information

**Step 1.**  
**SBRA-43** [A] \$3055

## Step 2. Wood Finish

### Premium Veneer - Low Sheen

<b>940</b>	sundance cherry on maple [A]	+\$0
<b>943</b>	caramel cherry [A]	+\$0
<b>946</b>	cocoa cherry [A]	+\$0
<b>962</b>	toasted walnut, low sheen [A]	+\$0
<b>963</b>	charred walnut, low sheen [A]	+\$0
<b>964</b>	bronzed walnut, low sheen [A]	+\$0
<b>965</b>	smoked walnut, low sheen [A]	+\$0
<b>966</b>	coffee walnut, low sheen [A]	+\$0
<b>977</b>	chocolate ash, low sheen [A]	+\$0
<b>98R</b>	recograin rosewood [A]	+\$0
<b>991</b>	champagne ash [A]	+\$0
<b>998</b>	ebony ash [A]	+\$0
<b>99A</b>	recograin frosty ash [A]	+\$0
<b>99R</b>	recograin rosewood [A]	+\$0
<b>99T</b>	recograin teak [A]	+\$0
<b>9A1</b>	white ash, quarter cut, low sheen [A]	+\$0
<b>9K1</b>	rift oak, rift cut, low sheen [A]	+\$0
<b>9K6</b>	burnt oak, rift cut, low sheen [A]	+\$0
<b>ED</b>	aged cherry [A]	+\$0
<b>EK</b>	medium red walnut [A]	+\$0
<b>UX</b>	walnut on cherry [A]	+\$0

Rolled Arm Club Chair *continued*

Premium Veneer - Matte

<b>662</b>	toasted walnut, matte sheen <input type="checkbox"/>	+\$0
<b>663</b>	charred walnut, matte sheen <input type="checkbox"/>	+\$0
<b>664</b>	bronzed walnut, matte sheen <input type="checkbox"/>	+\$0
<b>665</b>	smoked walnut, matte sheen <input type="checkbox"/>	+\$0
<b>666</b>	coffee walnut, matte sheen <input type="checkbox"/>	+\$0
<b>667</b>	smoked paldao, quarter cut, matte sheen <input type="checkbox"/>	+\$0
<b>669</b>	warm paldao, quarter cut, matte sheen <input type="checkbox"/>	+\$0
<b>66A</b>	recograin frosty ash <input type="checkbox"/>	+\$0
<b>677</b>	chocolate ash, matte sheen <input type="checkbox"/>	+\$0
<b>68R</b>	recograin rosewood <input type="checkbox"/>	+\$0
<b>69A</b>	recograin frosty ash <input type="checkbox"/>	+\$0
<b>69R</b>	recograin rosewood <input type="checkbox"/>	+\$0
<b>69T</b>	recograin teak <input type="checkbox"/>	+\$0
<b>6A1</b>	white ash <input type="checkbox"/>	+\$0
<b>6K1</b>	rift oak <input type="checkbox"/>	+\$0
<b>6K6</b>	burnt oak <input type="checkbox"/>	+\$0
<b>ET</b>	clear on ash <input type="checkbox"/>	+\$0
<b>EU</b>	oak on ash <input type="checkbox"/>	+\$0
<b>EV</b>	walnut on ash <input type="checkbox"/>	+\$0
<b>GOU</b>	natural walnut, flat cut, matte sheen <input type="checkbox"/>	+\$0

RecoGrain Veneer

<b>66G</b>	recograin wenge <input type="checkbox"/>	+\$0
<b>68W</b>	recograin walnut, flat cut, matte sheen <input type="checkbox"/>	+\$0
<b>69G</b>	recograin wenge <input type="checkbox"/>	+\$0
<b>69W</b>	recograin walnut, quarter cut, matte sheen <input type="checkbox"/>	+\$0

Recon Veneer -

<b>96G</b>	wenge recograin, quarter cut, low sheen <input type="checkbox"/>	+\$0
<b>98W</b>	recograin walnut, flat cut, low sheen <input type="checkbox"/>	+\$0
<b>99G</b>	recograin wenge, quarter cut, low sheen <input type="checkbox"/>	+\$0
<b>99W</b>	recograin walnut, quarter cut, low sheen <input type="checkbox"/>	+\$0

Step 3. Upholstery

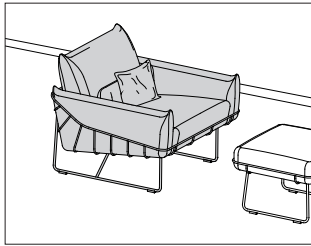
Price Category (Geiger) COM <input type="checkbox"/>	+\$0
Price Category (Geiger) COL <input type="checkbox"/>	+\$432
Price Category 1	+\$0
Price Category (Geiger) 2	+\$0
Price Category 2	+\$282
Price Category (Geiger) 3	+\$354
Price Category 3	+\$354
Price Category (Geiger) 4	+\$432
Price Category 4	+\$576
Price Category (Geiger) 5	+\$630
Price Category 5	+\$630
Price Category (Geiger) 6	+\$828
Price Category (Geiger) 7	+\$1026
Price Category (Geiger) 8	+\$1572
Price Category (Geiger) 9	+\$1950
Price Category 9	+\$1950
Price Category (Geiger) 10	+\$2244
Price Category (Geiger) 11	+\$2514
Price Category (Geiger) 14	+\$3294
Price Category (Geiger) D	+\$420
Price Category (Geiger) E	+\$510
Price Category (Geiger) F	+\$612
Price Category (Geiger) G	+\$834
Price Category (Geiger) H	+\$1038
Price Category (Geiger) I	+\$1254
Price Category (Geiger) J	+\$1470
Price Category (Geiger) K	+\$1686
Price Category (Geiger) L	+\$1902
Price Category (Geiger) N	+\$2334
Price Category (Geiger) P	+\$2760
Price Category (Geiger) Q	+\$3186
Price Category (Geiger) U	+\$5430
Price Category (Geiger) X	+\$6420

Step 4. Fire Retardancy

<b>NOCAL</b> no cal-133 required <input type="checkbox"/>	+\$0
<b>133</b> cal-133 required <input type="checkbox"/>	+\$390

# Wireframe™ Chair

BK110



HermanMiller Collection—Lounge Seating

## Product Information

### Description

This chair has contoured cushions on a separate wire frame structure, featuring SuperSeat™ technology. Lumbar and throw pillows included.

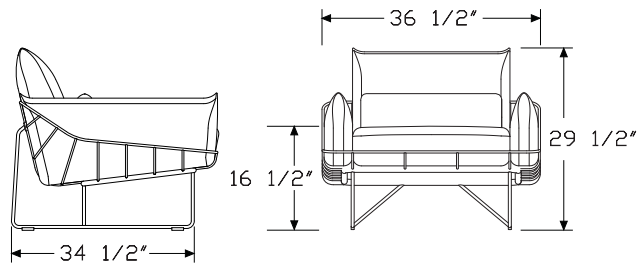
### Notes

Fire retardant chair meets CAL 133 requirements.

COM/COL requires 7 yards/126 square feet per chair.

Lumbar and throw pillows are shipped in same material specified for chair cushions.

### Dimensions



## Specification Information

### Step 1.

**BK11000** A \$3766

### Step 2. Frame Finish

**91** white A +\$0  
**BK** black A +\$0

### Step 3. Fabric

Price Category 1	+\$0
Price Category 2	+\$125
Price Category (Geiger) 3	+\$180
Price Category 3	+\$180
Price Category (Geiger) 4	+\$300
Price Category 4	+\$300
Price Category (Geiger) 5	+\$450
Price Category 5	+\$450
Price Category (Geiger) 6	+\$600
Price Category 6	+\$600
Price Category (Geiger) 7	+\$800
Price Category 7	+\$800
Price Category (Geiger) 8	+\$1050
Price Category (Geiger) 9	+\$1300
Price Category 9	+\$1300
Price Category (Geiger) 10	+\$1500
Price Category 10	+\$1500
Price Category (Geiger) 11	+\$1700
Price Category 11	+\$1700
Price Category 14	+\$2400
Price Category B	+\$197
Price Category D	+\$412
Price Category E	+\$497
Price Category F	+\$643
Price Category G	+\$835
Price Category (Geiger) H	+\$1015
Price Category H	+\$1400
Price Category I	+\$1600
Price Category J	+\$1015
Price Category K	+\$1193
Price Category L	+\$1371
Price Category M	+\$1550
Price Category N	+\$1728
Price Category O	+\$1906
Price Category P	+\$2084
Price Category Q	+\$2262
Price Category R	+\$4093
Price Category S	+\$2627



# Wireframe™ Chair *continued*

Price Category T	+\$2823
Price Category U	+\$3019
Price Category X	+\$5569
Price Category Y	+\$5864

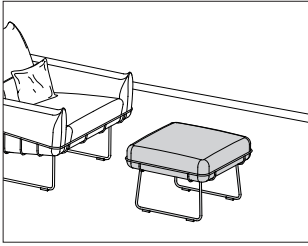
---

## Step 4. Fire Retardancy

<b>NOCAL</b> not fire retardant <input type="checkbox"/>	+\$0
<b>133</b> fire retardant <input type="checkbox"/>	+\$244

# Wireframe™ Ottoman

BK104



HermanMiller Collection—Lounge Seating

## Product Information

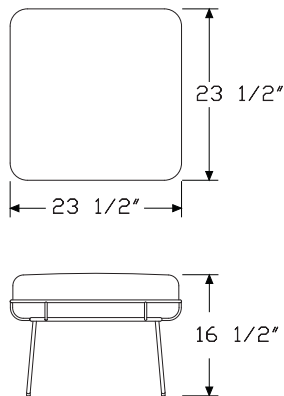
### Description

This ottoman has contoured cushions on a separate wire frame structure, featuring SuperSeat™ technology.

### Notes

Fire retardant ottoman meets CAL 133 requirements.  
COM/COL requires 2½ yards/36 square feet per ottoman.

### Dimensions



## Specification Information

### Step 1.

**BK10400** A \$1790

### Step 2. Frame Finish

**91** white A +\$0  
**BK** black A +\$0

### Step 3. Fabric

Price Category 1 +\$0  
Price Category 2 +\$60  
Price Category (Geiger) 3 +\$80  
Price Category 3 +\$80  
Price Category (Geiger) 4 +\$110  
Price Category 4 +\$110  
Price Category (Geiger) 5 +\$150  
Price Category 5 +\$150  
Price Category (Geiger) 6 +\$190  
Price Category 6 +\$190  
Price Category (Geiger) 7 +\$250  
Price Category 7 +\$250  
Price Category (Geiger) 8 +\$320  
Price Category (Geiger) 9 +\$385  
Price Category 9 +\$385  
Price Category (Geiger) 10 +\$450  
Price Category 10 +\$450  
Price Category (Geiger) 11 +\$520  
Price Category 11 +\$520  
Price Category 14 +\$720  
Price Category B +\$64  
Price Category D +\$147  
Price Category E +\$178  
Price Category F +\$230  
Price Category G +\$298  
Price Category (Geiger) H +\$410  
Price Category H +\$363  
Price Category I +\$426  
Price Category J +\$490  
Price Category K +\$553  
Price Category L +\$617  
Price Category M +\$681  
Price Category N +\$744  
Price Category O +\$808  
Price Category P +\$871  
Price Category Q +\$938  
Price Category R +\$1334  
Price Category S +\$1078

Wireframe™ Ottoman *continued*

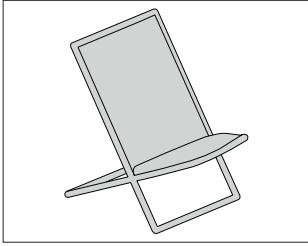
Price Category T	+\$1148
Price Category U	+\$1218
Price Category X	+\$1815
Price Category Y	+\$1911

Step 4. Fire Retardancy

<b>NOCAL</b> not fire retardant <input type="checkbox"/>	+\$0
<b>133</b> fire retardant <input type="checkbox"/>	+\$98

# Scissor Chair

SBSC-  
SBSD-



HermanMiller Collection—Lounge Seating

## Product Information

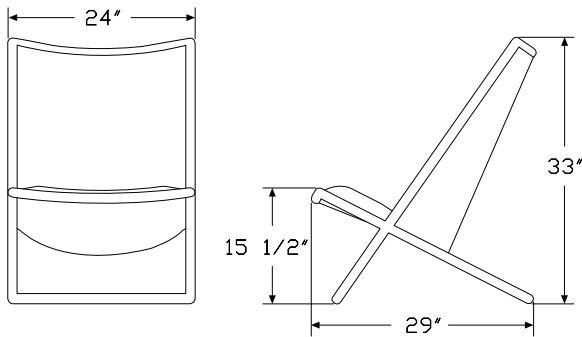
### Description

The frame of this chair is solid ash. The seat has foam and Dacron® over plywood. The back is FR foam over hardwood insert.

### Notes

Customers Own Material (COM) requires 3½ yards. Customers Own Leather (COL) requires 58 square feet. See Order Information in Appendices.

### Dimensions



## Specification Information

### Step 1.

**SBS**

### Step 2. Frame

**C-1098** solid ash

**D-1099** welded tubular steel

### Prices for Steps 1-2.

<b>SBSC-1098</b>	\$2423
<b>SBSD-1099</b>	\$2627

### Step 3. Wood Finish

*For solid ash (C-1098)*

### Premium Veneer - Low Sheen

<b>932</b>	sundance anigre <input type="checkbox"/>	+\$0
<b>933</b>	caramel anigre <input type="checkbox"/>	+\$0
<b>934</b>	henna anigre <input type="checkbox"/>	+\$0
<b>940</b>	sundance cherry on maple <input type="checkbox"/>	+\$0
<b>943</b>	caramel cherry <input type="checkbox"/>	+\$0
<b>946</b>	cocoa cherry <input type="checkbox"/>	+\$0
<b>956</b>	cocoa sapele <input type="checkbox"/>	+\$0
<b>962</b>	toasted walnut, low sheen <input type="checkbox"/>	+\$0
<b>963</b>	charred walnut, low sheen <input type="checkbox"/>	+\$0
<b>964</b>	bronzed walnut, low sheen <input type="checkbox"/>	+\$0
<b>965</b>	smoked walnut, low sheen <input type="checkbox"/>	+\$0
<b>966</b>	coffee walnut, low sheen <input type="checkbox"/>	+\$0
<b>967</b>	smoked paldao, low sheen <input type="checkbox"/>	+\$0
<b>969</b>	warm paldao, low sheen <input type="checkbox"/>	+\$0
<b>972</b>	sundance walnut <input type="checkbox"/>	+\$0
<b>977</b>	chocolate ash, low sheen <input type="checkbox"/>	+\$0
<b>98R</b>	recograin rosewood <input type="checkbox"/>	+\$0
<b>991</b>	champagne ash <input type="checkbox"/>	+\$0
<b>998</b>	ebony ash <input type="checkbox"/>	+\$0
<b>99A</b>	recograin frosty ash <input type="checkbox"/>	+\$0
<b>99R</b>	recograin rosewood <input type="checkbox"/>	+\$0
<b>99T</b>	recograin teak <input type="checkbox"/>	+\$0
<b>9A1</b>	white ash, quarter cut, low sheen <input type="checkbox"/>	+\$0
<b>9K1</b>	rift oak, rift cut, low sheen <input type="checkbox"/>	+\$0
<b>9K6</b>	burnt oak, rift cut, low sheen <input type="checkbox"/>	+\$0
<b>ED</b>	aged cherry <input type="checkbox"/>	+\$0
<b>EK</b>	medium red walnut <input type="checkbox"/>	+\$0
<b>G2U</b>	light brown walnut, low sheen <input type="checkbox"/>	+\$0
<b>G40</b>	dark brown walnut, low sheen <input type="checkbox"/>	+\$0
<b>UX</b>	walnut on cherry <input type="checkbox"/>	+\$0

# Scissor Chair *continued*

## Premium Veneer - Matte

<b>662</b>	toasted walnut, matte sheen <input type="checkbox"/>	+\$0
<b>663</b>	charred walnut, matte sheen <input type="checkbox"/>	+\$0
<b>664</b>	bronzed walnut, matte sheen <input type="checkbox"/>	+\$0
<b>665</b>	smoked walnut, matte sheen <input type="checkbox"/>	+\$0
<b>666</b>	coffee walnut, matte sheen <input type="checkbox"/>	+\$0
<b>667</b>	smoked paldao, quarter cut, matte sheen <input type="checkbox"/>	+\$0
<b>669</b>	warm paldao, quarter cut, matte sheen <input type="checkbox"/>	+\$0
<b>66A</b>	recograin frosty ash <input type="checkbox"/>	+\$0
<b>677</b>	chocolate ash, matte sheen <input type="checkbox"/>	+\$0
<b>68R</b>	recograin rosewood <input type="checkbox"/>	+\$0
<b>69A</b>	recograin frosty ash <input type="checkbox"/>	+\$0
<b>69R</b>	recograin rosewood <input type="checkbox"/>	+\$0
<b>69T</b>	recograin teak <input type="checkbox"/>	+\$0
<b>6A1</b>	white ash <input type="checkbox"/>	+\$0
<b>6K1</b>	rift oak <input type="checkbox"/>	+\$0
<b>6K6</b>	burnt oak <input type="checkbox"/>	+\$0
<b>ET</b>	clear on ash <input type="checkbox"/>	+\$0
<b>EU</b>	oak on ash <input type="checkbox"/>	+\$0
<b>EV</b>	walnut on ash <input type="checkbox"/>	+\$0
<b>GOU</b>	natural walnut, flat cut, matte sheen <input type="checkbox"/>	+\$0

## RecoGrain Veneer

<b>66G</b>	recograin wenge <input type="checkbox"/>	+\$0
<b>68W</b>	recograin walnut, flat cut, matte sheen <input type="checkbox"/>	+\$0
<b>69G</b>	recograin wenge <input type="checkbox"/>	+\$0
<b>69W</b>	recograin walnut, quarter cut, matte sheen <input type="checkbox"/>	+\$0

## Recon Veneer -

<b>96G</b>	wenge recograin, quarter cut, low sheen <input type="checkbox"/>	+\$0
<b>98W</b>	recograin walnut, flat cut, low sheen <input type="checkbox"/>	+\$0
<b>99G</b>	recograin wenge, quarter cut, low sheen <input type="checkbox"/>	+\$0
<b>99W</b>	recograin walnut, quarter cut, low sheen <input type="checkbox"/>	+\$0

## Step 4. Upholstery

Price Category (Geiger) 1	+\$137
Price Category 1	+\$0
Price Category (Geiger) 2	+\$0
Price Category 2	+\$165
Price Category (Geiger) 3	+\$207
Price Category 3	+\$207
Price Category (Geiger) 4	+\$252
Price Category 4	+\$252
Price Category (Geiger) 5	+\$368
Price Category 5	+\$368
Price Category (Geiger) 6	+\$483
Price Category (Geiger) 7	+\$599

Price Category (Geiger) 8	+\$917
Price Category (Geiger) 9	+\$1138
Price Category 9	+\$1138
Price Category (Geiger) 10	+\$1309
Price Category (Geiger) 11	+\$1467
Price Category (Geiger) 14	+\$1922
Price Category (Geiger) A	+\$193
Price Category (Geiger) B	+\$210
Price Category (Geiger) C	+\$228
Price Category (Geiger) D	+\$263
Price Category (Geiger) E	+\$298
Price Category (Geiger) F	+\$333
Price Category (Geiger) G	+\$368
Price Category (Geiger) H	+\$403
Price Category (Geiger) I	+\$732
Price Category (Geiger) J	+\$455
Price Category (Geiger) K	+\$508
Price Category (Geiger) L	+\$560
Price Category (Geiger) M	+\$630
Price Category (Geiger) N	+\$700
Price Category (Geiger) O	+\$1488
Price Category (Geiger) P	+\$770
Price Category (Geiger) Q	+\$1463
Price Category (Geiger) R	+\$2590
Price Category (Geiger) S	+\$2783
Price Category (Geiger) U	+\$3168
Price Category (Geiger) V	+\$3360
Price Category (Geiger) X	+\$3745
Price Category (Geiger) Y	+\$3938
Price Category (Geiger) COM <input type="checkbox"/>	+\$0
Price Category (Geiger) COL <input type="checkbox"/>	+\$252

## Step 5. Base Finish

*For welded tubular steel (D-1099)*

<b>CHR</b>	chrome <input type="checkbox"/>	+\$0
<b>SAC</b>	satin chrome <input type="checkbox"/>	+\$0

## Step 6. Fire Retardancy

<b>NOCAL</b>	not fire retardant <input type="checkbox"/>	+\$0
<b>133</b>	fire retardant <input type="checkbox"/>	+\$228

Sled Chair

SBSU-



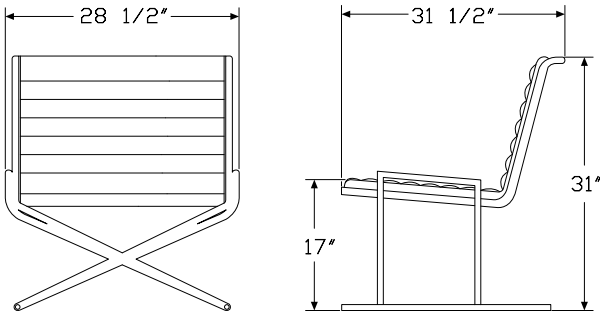
HermanMiller Collection—Lounge Seating

**Product Information**

**Description**  
 This chair has a welded tubular steel frame. The seat consists of foam and Dacron® over plywood. The back is FR foam over hardwood insert.

**Notes**  
 Customers Own Material (COM) requires 3 yards. Customers Own Leather (COL) requires 54 square feet. See Order Information in Appendices.

**Dimensions**



**Specification Information**

Step 1.

**SBS** A

Step 2. Material

**U-1060** upholstery A

Prices for Steps 1-2.

**SBSU-1060** \$4057

**Step 3. Upholstery**

Price Category (Geiger) 1	+\$117
Price Category 1	+\$0
Price Category (Geiger) 2	+\$141
Price Category 2	+\$141
Price Category (Geiger) 3	+\$177
Price Category 3	+\$207
Price Category (Geiger) 4	+\$216
Price Category 4	+\$216
Price Category (Geiger) 5	+\$315
Price Category 5	+\$315
Price Category (Geiger) 6	+\$414
Price Category (Geiger) 7	+\$513
Price Category (Geiger) 8	+\$786
Price Category (Geiger) 9	+\$975
Price Category 9	+\$975
Price Category (Geiger) 10	+\$1122
Price Category (Geiger) 11	+\$1257
Price Category (Geiger) 14	+\$1647
Price Category (Geiger) A	+\$165
Price Category (Geiger) B	+\$180
Price Category (Geiger) C	+\$195
Price Category (Geiger) D	+\$225
Price Category (Geiger) E	+\$255
Price Category (Geiger) F	+\$285
Price Category (Geiger) G	+\$315
Price Category (Geiger) H	+\$345
Price Category (Geiger) I	+\$627
Price Category (Geiger) J	+\$390
Price Category (Geiger) K	+\$435
Price Category (Geiger) L	+\$480
Price Category (Geiger) M	+\$540
Price Category (Geiger) N	+\$600
Price Category (Geiger) O	+\$1275
Price Category (Geiger) P	+\$660
Price Category (Geiger) Q	+\$1350
Price Category (Geiger) R	+\$2220

## Sled Chair *continued*

Price Category (Geiger) S	+\$2385
Price Category (Geiger) V	+\$2880
Price Category (Geiger) X	+\$3210
Price Category (Geiger) COM <input type="checkbox"/>	+\$0
Price Category (Geiger) COL <input type="checkbox"/>	+\$216

### Step 4. Base Finish

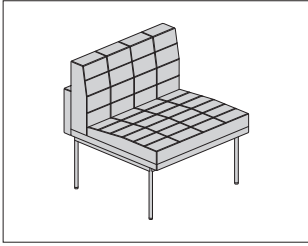
<b>BNZ</b> bronze <input type="checkbox"/>	+\$0
<b>CHR</b> chrome <input type="checkbox"/>	+\$0
<b>SAC</b> satin chrome <input type="checkbox"/>	+\$0

### Step 5. Fire Retardancy

<b>NOCAL</b> not fire retardant <input type="checkbox"/>	+\$0
<b>133</b> fire retardant <input type="checkbox"/>	+\$195

# Tuxedo Component Lounge™ Club Chair

ST1AN  
ST1AQ  
ST1NN  
ST1NQ



HermanMiller Collection—Lounge Seating

## Product Information

### Description

This club chair has a foam and Dacron® seat with a painted or plated steel base.

### Notes

Customer's Own Material (COM)/Customer's Own Leather (COL) requires the following:

Type—COM—COL

ST1NN—3¾ yards—67½ square feet

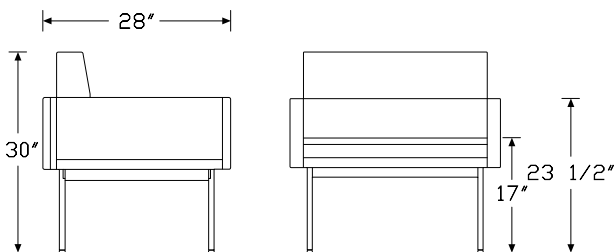
ST1NQ—3¾ yards—67½ square feet

ST1AN—5½ yards—99 square feet

ST1AQ—5½ yards—99 square feet

See Order Information in Appendices for more information.

### Dimensions



## Specification Information

### Step 1.

**ST1**  A

### Step 2. Arms

**N** no arms  A

**A** arms  A

### Step 3. Upholstery Type

**N** not quilted  A

**Q** quilted  A

### Prices for Steps 1-3.

<b>ST1NN</b>	\$2157
<b>ST1NQ</b>	\$2316
<b>ST1AN</b>	\$2732
<b>ST1AQ</b>	\$2837

### Step 4. Upholstery

#### For not quilted (N)

	<b>N</b>	<b>A</b>
Price Category (Geiger) 1	+\$146	215
Price Category 1	+\$0	0
Price Category (Geiger) 2	+\$176	259
Price Category 2	+\$176	259
Price Category (Geiger) 3	+\$221	325
Price Category 3	+\$221	325
Price Category (Geiger) 4	+\$270	396
Price Category 4	+\$270	396
Price Category (Geiger) 5	+\$394	578
Price Category 5	+\$394	578
Price Category (Geiger) 6	+\$518	759
Price Category (Geiger) 7	+\$641	941
Price Category (Geiger) 8	+\$983	1441
Price Category (Geiger) 9	+\$1219	1788
Price Category 9	+\$1788	1788
Price Category (Geiger) 10	+\$1403	2057
Price Category (Geiger) 11	+\$1571	2305
Price Category 14	+\$2059	3020
Price Category (Geiger) A	+\$124	182
Price Category (Geiger) C	+\$199	292
Price Category (Geiger) D	+\$263	385
Price Category (Geiger) E	+\$319	468
Price Category (Geiger) F	+\$383	561
Price Category (Geiger) G	+\$521	765
Price Category (Geiger) H	+\$649	952



# Tuxedo Component Lounge™ Club Chair *continued*

Price Category (Geiger) I	+\$784	1150
Price Category (Geiger) J	+\$919	1348
Price Category (Geiger) K	+\$1054	1546
Price Category (Geiger) L	+\$1189	1744
Price Category (Geiger) M	+\$1324	1942
Price Category (Geiger) N	+\$1459	2140
Price Category (Geiger) O	+\$1594	2338
Price Category (Geiger) P	+\$1725	2530
Price Category (Geiger) Q	+\$1991	2921
Price Category (Geiger) R	+\$3188	4070
Price Category (Geiger) S	+\$2981	4373
Price Category (Geiger) V	+\$3600	5280
Price Category (Geiger) X	+\$4013	5885
Price Category (Geiger) Y	+\$4219	6188
Price Category (Geiger) COM <sup>A</sup>	+\$0	0
Price Category (Geiger) COL <sup>A</sup>	+\$270	396

## For quilted (Q)

	N	A
Price Category (Geiger) 1	+\$146	215
Price Category 1	+\$0	0
Price Category (Geiger) 2	+\$176	259
Price Category 2	+\$176	259
Price Category (Geiger) 3	+\$221	325
Price Category 3	+\$221	325
Price Category (Geiger) 4	+\$270	396
Price Category 4	+\$270	396
Price Category (Geiger) 5	+\$394	578
Price Category 5	+\$394	578
Price Category (Geiger) 6	+\$518	759
Price Category (Geiger) 7	+\$641	941
Price Category (Geiger) 8	+\$983	1441
Price Category (Geiger) 9	+\$1219	1788
Price Category 9	+\$1788	1788
Price Category (Geiger) 10	+\$1403	2057
Price Category (Geiger) 11	+\$1571	2305
Price Category 14	+\$2059	3020
Price Category (Geiger) A	+\$124	182
Price Category (Geiger) C	+\$199	292
Price Category (Geiger) D	+\$263	385
Price Category (Geiger) E	+\$319	468
Price Category (Geiger) F	+\$383	561
Price Category (Geiger) G	+\$521	765
Price Category (Geiger) H	+\$649	952
Price Category (Geiger) I	+\$784	1150
Price Category (Geiger) J	+\$919	1348
Price Category (Geiger) K	+\$1054	1546

Price Category (Geiger) L	+\$1189	1744
Price Category (Geiger) M	+\$1324	1942
Price Category (Geiger) N	+\$1459	2140
Price Category (Geiger) O	+\$1594	2338
Price Category (Geiger) P	+\$1725	2530
Price Category (Geiger) Q	+\$1991	2921
Price Category (Geiger) R	+\$3188	4070
Price Category (Geiger) S	+\$2981	4373
Price Category (Geiger) V	+\$3600	5280
Price Category (Geiger) COM <sup>A</sup>	+\$0	0
Price Category (Geiger) COL <sup>A</sup>	+\$270	396

## Step 5. Base Finish

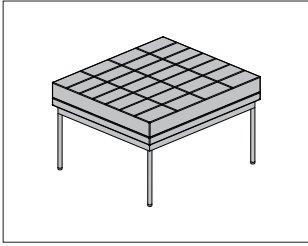
<b>926</b> black <sup>A</sup>	+\$0
<b>AS</b> arctic silver <sup>A</sup>	+\$0
<b>WHT</b> white <sup>A</sup>	+\$0
<b>BNZ</b> bronze <sup>A</sup>	+\$295
<b>CHR</b> chrome <sup>A</sup>	+\$295
<b>SAC</b> satin chrome <sup>A</sup>	+\$295

## Step 6. Fire Retardancy

	N	A
<b>NOCAL</b> not fire retardant <sup>A</sup>	+\$0	0
<b>133</b> fire retardant <sup>A</sup>	+\$244	358

Tuxedo Component Lounge™  
Ottoman

ST1BN  
ST1BQ



HermanMiller Collection—Lounge Seating

**Product Information**

**Description**

This 17"-high ottoman has a foam and Dacron® seat with a painted or plated steel base.

**Notes**

Customer's Own Material (COM)/Customer's Own Leather (COL) requires the following:

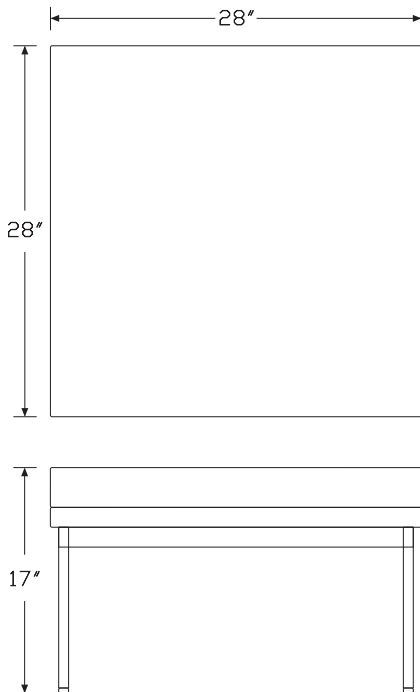
Type—COM—COL

Not quilted—1½ yards—27 square feet

Quilted—1½ yards—27 square feet

See Order Information in Appendices for more information.

**Dimensions**



**Specification Information**

**Step 1.**

**ST1B**  A

**Step 2. Upholstery Type**

**N** not quilted  A

**Q** quilted  A

**Prices for Steps 1-2.**

<b>ST1BN</b>	\$1219
<b>ST1BQ</b>	\$1248

**Step 3. Upholstery**

*For quilted (Q)*

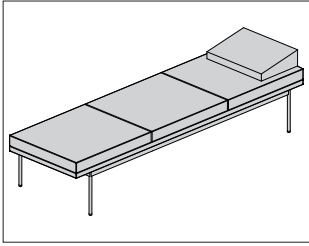
Price Category (Geiger) 1	+\$20
Price Category 1	+\$0
Price Category (Geiger) 2	+\$71
Price Category 2	+\$71
Price Category (Geiger) 3	+\$89
Price Category 3	+\$89
Price Category (Geiger) 4	+\$108
Price Category 4	+\$108
Price Category (Geiger) 5	+\$158
Price Category 5	+\$158
Price Category (Geiger) 6	+\$207
Price Category (Geiger) 7	+\$257
Price Category (Geiger) 8	+\$393
Price Category (Geiger) 9	+\$488
Price Category 9	+\$488
Price Category (Geiger) 10	+\$561
Price Category (Geiger) 11	+\$629
Price Category (Geiger) 14	+\$824
Price Category (Geiger) A	+\$50
Price Category (Geiger) C	+\$80
Price Category (Geiger) D	+\$105
Price Category (Geiger) E	+\$128
Price Category (Geiger) F	+\$153
Price Category (Geiger) G	+\$209
Price Category (Geiger) H	+\$260
Price Category (Geiger) I	+\$314
Price Category (Geiger) J	+\$368
Price Category (Geiger) K	+\$422
Price Category (Geiger) L	+\$476
Price Category (Geiger) M	+\$530
Price Category (Geiger) N	+\$584
Price Category (Geiger) O	+\$638

# Tuxedo Component Lounge™ Ottoman *continued*

Price Category (Geiger) P	+\$690	Price Category (Geiger) Y	+\$1688
Price Category (Geiger) Q	+\$797	Price Category (Geiger) COM <span style="border: 1px solid black; padding: 0 2px;">A</span>	+\$0
Price Category (Geiger) R	+\$1110	Price Category (Geiger) COL <span style="border: 1px solid black; padding: 0 2px;">A</span>	+\$108
Price Category (Geiger) S	+\$1193		
Price Category (Geiger) V	+\$1440		
Price Category (Geiger) COM <span style="border: 1px solid black; padding: 0 2px;">A</span>	+\$0		
Price Category (Geiger) COL <span style="border: 1px solid black; padding: 0 2px;">A</span>	+\$108		
<hr/>			
<i>For not quilted (N)</i>			
Price Category (Geiger) 1	+\$20		
Price Category 1	+\$0		
Price Category (Geiger) 2	+\$71		
Price Category 2	+\$71		
Price Category (Geiger) 3	+\$89		
Price Category 3	+\$89		
Price Category (Geiger) 4	+\$108		
Price Category 4	+\$108		
Price Category (Geiger) 5	+\$158		
Price Category 5	+\$158		
Price Category (Geiger) 6	+\$207		
Price Category (Geiger) 7	+\$257		
Price Category (Geiger) 8	+\$393		
Price Category (Geiger) 9	+\$488		
Price Category 9	+\$488		
Price Category (Geiger) 10	+\$561		
Price Category (Geiger) 11	+\$629		
Price Category (Geiger) 14	+\$824		
Price Category (Geiger) A	+\$50		
Price Category (Geiger) C	+\$80		
Price Category (Geiger) D	+\$105		
Price Category (Geiger) E	+\$128		
Price Category (Geiger) F	+\$153		
Price Category (Geiger) G	+\$209		
Price Category (Geiger) H	+\$260		
Price Category (Geiger) I	+\$314		
Price Category (Geiger) J	+\$368		
Price Category (Geiger) K	+\$422		
Price Category (Geiger) L	+\$476		
Price Category (Geiger) M	+\$530		
Price Category (Geiger) N	+\$584		
Price Category (Geiger) O	+\$638		
Price Category (Geiger) P	+\$690		
Price Category (Geiger) Q	+\$797		
Price Category (Geiger) R	+\$1110		
Price Category (Geiger) S	+\$1193		
Price Category (Geiger) V	+\$1440		
Price Category (Geiger) X	+\$1605		
		<b>Step 4. Base Finish</b>	
		<b>926</b> black <span style="border: 1px solid black; padding: 0 2px;">A</span>	+\$0
		<b>AS</b> arctic silver <span style="border: 1px solid black; padding: 0 2px;">A</span>	+\$0
		<b>WHT</b> white <span style="border: 1px solid black; padding: 0 2px;">A</span>	+\$0
		<b>BNZ</b> bronze <span style="border: 1px solid black; padding: 0 2px;">A</span>	+\$295
		<b>CHR</b> chrome <span style="border: 1px solid black; padding: 0 2px;">A</span>	+\$295
		<b>SAC</b> satin chrome <span style="border: 1px solid black; padding: 0 2px;">A</span>	+\$295
		<b>Step 5. Fire Retardancy</b>	
		<b>NOCAL</b> not fire retardant <span style="border: 1px solid black; padding: 0 2px;">A</span>	+\$0
		<b>133</b> fire retardant <span style="border: 1px solid black; padding: 0 2px;">A</span>	+\$98

Tuxedo Component Lounge™  
Daybed

ST3DN  
ST3DQ



HermanMiller Collection—Lounge Seating

**Product Information**

**Description**

This 17"-high daybed has a foam and Dacron® seat with a painted or plated steel base.

**Notes**

Customer's Own Material (COM)/Customer's Own Leather (COL) requires the following:

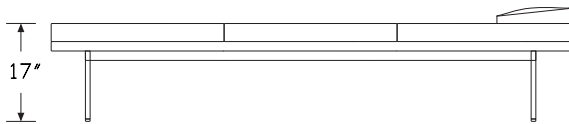
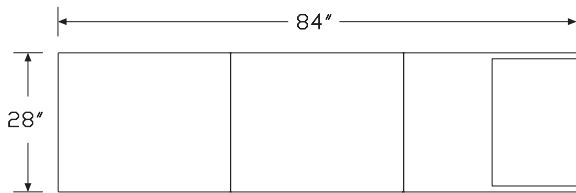
Type—COM—COL

Not quilted—6½ yards—117 square feet

Quilted—6½ yards—117 square feet

See Order Information in Appendices for more information.

**Dimensions**



**Specification Information**

**Step 1.**

**ST3D**  A

**Step 2. Upholstery Type**

**N** not quilted  A

**Q** quilted  A

**Prices for Steps 1-2.**

<b>ST3DN</b>	\$3059
<b>ST3DQ</b>	\$3123

**Step 3. Upholstery**

*For quilted (Q)*

Price Category (Geiger) 1	+\$254
Price Category 1	+\$0
Price Category (Geiger) 2	+\$306
Price Category 2	+\$306
Price Category (Geiger) 3	+\$384
Price Category 3	+\$384
Price Category (Geiger) 4	+\$468
Price Category 4	+\$468
Price Category (Geiger) 5	+\$683
Price Category 5	+\$683
Price Category (Geiger) 6	+\$897
Price Category (Geiger) 7	+\$1112
Price Category (Geiger) 8	+\$1703
Price Category (Geiger) 9	+\$2113
Price Category 9	+\$2113
Price Category (Geiger) 10	+\$2431
Price Category (Geiger) 11	+\$2724
Price Category (Geiger) 14	+\$3569
Price Category (Geiger) A	+\$215
Price Category (Geiger) C	+\$345
Price Category (Geiger) D	+\$455
Price Category (Geiger) E	+\$553
Price Category (Geiger) F	+\$663
Price Category (Geiger) G	+\$904
Price Category (Geiger) H	+\$1125
Price Category (Geiger) I	+\$1359
Price Category (Geiger) J	+\$1593
Price Category (Geiger) K	+\$1827
Price Category (Geiger) L	+\$2061
Price Category (Geiger) M	+\$2295
Price Category (Geiger) N	+\$2529
Price Category (Geiger) O	+\$2763

# Tuxedo Component Lounge™

## Daybed *continued*

Price Category (Geiger) P	+\$2990
Price Category (Geiger) Q	+\$3452
Price Category (Geiger) R	+\$4810
Price Category (Geiger) S	+\$5168
Price Category (Geiger) V	+\$6240
Price Category (Geiger) COM <span style="border: 1px solid black; padding: 0 2px;">A</span>	+\$0
Price Category (Geiger) COL <span style="border: 1px solid black; padding: 0 2px;">A</span>	+\$468

### *For not quilted (N)*

Price Category (Geiger) 1	+\$254
Price Category 1	+\$0
Price Category (Geiger) 2	+\$306
Price Category 2	+\$306
Price Category (Geiger) 3	+\$384
Price Category 3	+\$384
Price Category (Geiger) 4	+\$468
Price Category 4	+\$468
Price Category (Geiger) 5	+\$683
Price Category 5	+\$683
Price Category (Geiger) 6	+\$897
Price Category (Geiger) 7	+\$1112
Price Category (Geiger) 8	+\$1703
Price Category (Geiger) 9	+\$2113
Price Category 9	+\$2113
Price Category (Geiger) 10	+\$2431
Price Category (Geiger) 11	+\$2724
Price Category (Geiger) 14	+\$3569
Price Category (Geiger) A	+\$215
Price Category (Geiger) C	+\$345
Price Category (Geiger) D	+\$455
Price Category (Geiger) E	+\$553
Price Category (Geiger) F	+\$663
Price Category (Geiger) G	+\$904
Price Category (Geiger) H	+\$1125
Price Category (Geiger) I	+\$1359
Price Category (Geiger) J	+\$1593
Price Category (Geiger) K	+\$1827
Price Category (Geiger) L	+\$2061
Price Category (Geiger) M	+\$2295
Price Category (Geiger) N	+\$2529
Price Category (Geiger) O	+\$2763
Price Category (Geiger) P	+\$2990
Price Category (Geiger) Q	+\$3452
Price Category (Geiger) R	+\$4810
Price Category (Geiger) S	+\$5168
Price Category (Geiger) V	+\$6240
Price Category (Geiger) X	+\$6955

Price Category (Geiger) Y	+\$7313
Price Category (Geiger) COM <span style="border: 1px solid black; padding: 0 2px;">A</span>	+\$0
Price Category (Geiger) COL <span style="border: 1px solid black; padding: 0 2px;">A</span>	+\$468

### Step 4. Base Finish

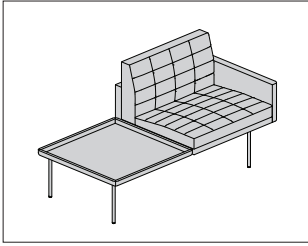
<b>926</b> black <span style="border: 1px solid black; padding: 0 2px;">A</span>	+\$0
<b>AS</b> arctic silver <span style="border: 1px solid black; padding: 0 2px;">A</span>	+\$0
<b>WHT</b> white <span style="border: 1px solid black; padding: 0 2px;">A</span>	+\$0
<b>BNZ</b> bronze <span style="border: 1px solid black; padding: 0 2px;">A</span>	+\$645
<b>CHR</b> chrome <span style="border: 1px solid black; padding: 0 2px;">A</span>	+\$645
<b>SAC</b> satin chrome <span style="border: 1px solid black; padding: 0 2px;">A</span>	+\$645

### Step 5. Fire Retardancy

<b>NOCAL</b> not fire retardant <span style="border: 1px solid black; padding: 0 2px;">A</span>	+\$0
<b>133</b> fire retardant <span style="border: 1px solid black; padding: 0 2px;">A</span>	+\$358

# Tuxedo Component Lounge with Table - One Seat

SX1AL  
SX1AR  
SX1NL  
SX1NR



HermanMiller Collection—Lounge Seating

## Product Information

### Description

This 1-seat lounge with table has a steel plated metal base with cushions made of polyfoam and DACRON®. Cushions are quilted or not quilted. The unit is available with an arm on 1 side, or without arms, and with the table on either the left or right side. Table top is solid wood 1½" thick. Fire retardant lounge meets CAL 133 requirements.

### Notes

Handedness is determined from a seated position.

Customer's Own Material (COM)/Customer's Own Leather (COL) requires the following:

Type—COM—COL

SX1ALN—4¾ yards—85½ square feet

SX1ALQ—4¾ yards—85½ square feet

SX1ARN—4¾ yards—85½ square feet

SX1ARQ—4¾ yards—85½ square feet

SX1NLN—3¾ yards—67½ square feet

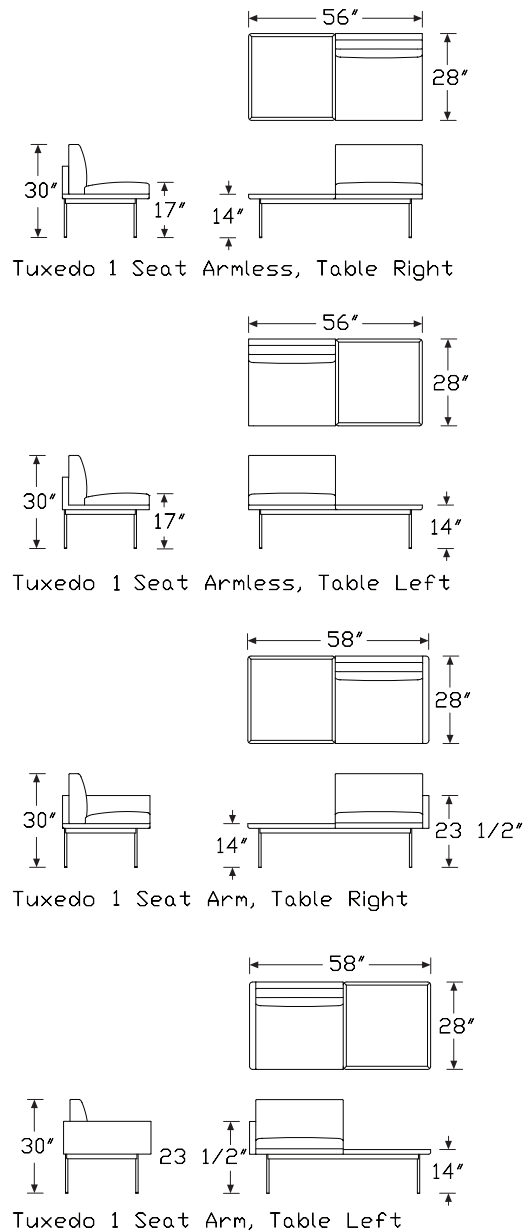
SX1NLQ—3¾ yards—67½ square feet

SX1NRN—3¾ yards—67½ square feet

SX1NRQ—3¾ yards—67½ square feet

See Order Information in Appendices for more information.

## Dimensions



# Tuxedo Component Lounge with Table - One Seat *continued*

## Specification Information

### Step 1.

**SX1** A

### Step 2. Arms

**A** arm 1 side A

**N** no arms A

### Step 3. Handing

**L** seating left, table right A

**R** seating right, table left A

### Step 4. Upholstery Type

**N** not quilted A

**Q** quilted A

### Prices for Steps 1-4.

<b>SX1AL</b>	<b>N</b>		\$3514
	<b>Q</b>		\$3641

<b>SX1AR</b>	<b>N</b>		\$3514
	<b>Q</b>		\$3641

<b>SX1NL</b>	<b>N</b>		\$3208
	<b>Q</b>		\$3335

<b>SX1NR</b>	<b>N</b>		\$3208
	<b>Q</b>		\$3335

### Step 5. Wood Finish

#### Matte Finishes

<b>662</b>	toasted walnut, matte sheen <span style="border: 1px solid black; padding: 0 2px;">A</span>	+\$0
<b>663</b>	charred walnut, matte sheen <span style="border: 1px solid black; padding: 0 2px;">A</span>	+\$0
<b>664</b>	bronzed walnut, matte sheen <span style="border: 1px solid black; padding: 0 2px;">A</span>	+\$0
<b>665</b>	smoked walnut, matte sheen <span style="border: 1px solid black; padding: 0 2px;">A</span>	+\$0
<b>666</b>	coffee walnut, matte sheen <span style="border: 1px solid black; padding: 0 2px;">A</span>	+\$0
<b>667</b>	smoked paldao, quarter cut, matte sheen <span style="border: 1px solid black; padding: 0 2px;">A</span>	+\$0
<b>669</b>	warm paldao, quarter cut, matte sheen <span style="border: 1px solid black; padding: 0 2px;">A</span>	+\$0
<b>66A</b>	recograin frosty ash <span style="border: 1px solid black; padding: 0 2px;">A</span>	+\$0
<b>677</b>	chocolate ash, matte sheen <span style="border: 1px solid black; padding: 0 2px;">A</span>	+\$0
<b>68R</b>	recograin rosewood <span style="border: 1px solid black; padding: 0 2px;">A</span>	+\$0
<b>69A</b>	recograin frosty ash <span style="border: 1px solid black; padding: 0 2px;">A</span>	+\$0
<b>69R</b>	recograin rosewood <span style="border: 1px solid black; padding: 0 2px;">A</span>	+\$0
<b>69T</b>	recograin teak <span style="border: 1px solid black; padding: 0 2px;">A</span>	+\$0
<b>6K1</b>	rift oak <span style="border: 1px solid black; padding: 0 2px;">A</span>	+\$0
<b>ET</b>	clear on ash <span style="border: 1px solid black; padding: 0 2px;">A</span>	+\$0

<b>EU</b>	oak on ash <span style="border: 1px solid black; padding: 0 2px;">A</span>	+\$0
<b>EV</b>	walnut on ash <span style="border: 1px solid black; padding: 0 2px;">A</span>	+\$0
<b>GOU</b>	natural walnut, flat cut, matte sheen <span style="border: 1px solid black; padding: 0 2px;">A</span>	+\$0
<b>6A1</b>	white ash <span style="border: 1px solid black; padding: 0 2px;">A</span>	+\$0
<b>6K6</b>	burnt oak <span style="border: 1px solid black; padding: 0 2px;">A</span>	+\$0
<b>932</b>	sundance anigre <span style="border: 1px solid black; padding: 0 2px;">A</span>	+\$0
<b>933</b>	caramel anigre <span style="border: 1px solid black; padding: 0 2px;">A</span>	+\$0
<b>934</b>	henna anigre <span style="border: 1px solid black; padding: 0 2px;">A</span>	+\$0
<b>940</b>	sundance cherry on maple <span style="border: 1px solid black; padding: 0 2px;">A</span>	+\$0
<b>962</b>	toasted walnut, low sheen <span style="border: 1px solid black; padding: 0 2px;">A</span>	+\$0
<b>963</b>	charred walnut, low sheen <span style="border: 1px solid black; padding: 0 2px;">A</span>	+\$0
<b>964</b>	bronzed walnut, low sheen <span style="border: 1px solid black; padding: 0 2px;">A</span>	+\$0
<b>965</b>	smoked walnut, low sheen <span style="border: 1px solid black; padding: 0 2px;">A</span>	+\$0
<b>966</b>	coffee walnut, low sheen <span style="border: 1px solid black; padding: 0 2px;">A</span>	+\$0
<b>967</b>	smoked paldao, low sheen <span style="border: 1px solid black; padding: 0 2px;">A</span>	+\$0
<b>969</b>	warm paldao, low sheen <span style="border: 1px solid black; padding: 0 2px;">A</span>	+\$0
<b>972</b>	sundance walnut <span style="border: 1px solid black; padding: 0 2px;">A</span>	+\$0
<b>977</b>	chocolate ash, low sheen <span style="border: 1px solid black; padding: 0 2px;">A</span>	+\$0
<b>98R</b>	recograin rosewood <span style="border: 1px solid black; padding: 0 2px;">A</span>	+\$0
<b>991</b>	champagne ash <span style="border: 1px solid black; padding: 0 2px;">A</span>	+\$0
<b>99A</b>	recograin frosty ash <span style="border: 1px solid black; padding: 0 2px;">A</span>	+\$0
<b>99R</b>	recograin rosewood <span style="border: 1px solid black; padding: 0 2px;">A</span>	+\$0
<b>99T</b>	recograin teak <span style="border: 1px solid black; padding: 0 2px;">A</span>	+\$0
<b>9A1</b>	white ash, quarter cut, low sheen <span style="border: 1px solid black; padding: 0 2px;">A</span>	+\$0
<b>9K1</b>	rift oak, rift cut, low sheen <span style="border: 1px solid black; padding: 0 2px;">A</span>	+\$0
<b>9K6</b>	burnt oak, rift cut, low sheen <span style="border: 1px solid black; padding: 0 2px;">A</span>	+\$0
<b>G2U</b>	light brown walnut, low sheen <span style="border: 1px solid black; padding: 0 2px;">A</span>	+\$0
<b>G40</b>	dark brown walnut, low sheen <span style="border: 1px solid black; padding: 0 2px;">A</span>	+\$0
<b>UX</b>	walnut on cherry <span style="border: 1px solid black; padding: 0 2px;">A</span>	+\$0
<b>943</b>	caramel cherry <span style="border: 1px solid black; padding: 0 2px;">A</span>	+\$0
<b>946</b>	cocoa cherry <span style="border: 1px solid black; padding: 0 2px;">A</span>	+\$0
<b>956</b>	cocoa sapele <span style="border: 1px solid black; padding: 0 2px;">A</span>	+\$0
<b>998</b>	ebony ash <span style="border: 1px solid black; padding: 0 2px;">A</span>	+\$0
<b>ED</b>	aged cherry <span style="border: 1px solid black; padding: 0 2px;">A</span>	+\$0
<b>EK</b>	medium red walnut <span style="border: 1px solid black; padding: 0 2px;">A</span>	+\$0

#### RecoGrain Veneer

<b>66G</b>	recograin wenge <span style="border: 1px solid black; padding: 0 2px;">A</span>	+\$0
<b>68W</b>	recograin walnut, flat cut, matte sheen <span style="border: 1px solid black; padding: 0 2px;">A</span>	+\$0
<b>69G</b>	recograin wenge <span style="border: 1px solid black; padding: 0 2px;">A</span>	+\$0
<b>69W</b>	recograin walnut, quarter cut, matte sheen <span style="border: 1px solid black; padding: 0 2px;">A</span>	+\$0

#### Recon Veneer -

<b>96G</b>	wenge recograin, quarter cut, low sheen <span style="border: 1px solid black; padding: 0 2px;">A</span>	+\$0
<b>98W</b>	recograin walnut, flat cut, low sheen <span style="border: 1px solid black; padding: 0 2px;">A</span>	+\$0
<b>99G</b>	recograin wenge, quarter cut, low sheen <span style="border: 1px solid black; padding: 0 2px;">A</span>	+\$0
<b>99W</b>	recograin walnut, quarter cut, low sheen <span style="border: 1px solid black; padding: 0 2px;">A</span>	+\$0

# Tuxedo Component Lounge with Table - One Seat *continued*

HermanMiller Collection—Lounge Seating

## Step 6. Fabric

### For not quilted (N)

	A	N
Price Category (Geiger) COM <a href="#">A</a>	+\$0	0
Price Category (Geiger) COL <a href="#">A</a>	+\$342	270
Price Category 1	+\$0	0
Price Category (Geiger) 2	+\$0	0
Price Category 2	+\$223	176
Price Category (Geiger) 3	+\$280	221
Price Category 3	+\$280	221
Price Category (Geiger) 4	+\$342	270
Price Category (Geiger) 5	+\$499	394
Price Category 5	+\$499	394
Price Category (Geiger) 6	+\$656	518
Price Category (Geiger) 7	+\$812	641
Price Category (Geiger) 8	+\$1245	983
Price Category (Geiger) 9	+\$1544	1219
Price Category 9	+\$1544	1219
Price Category (Geiger) 10	+\$1777	1403
Price Category 11	+\$1990	1571
Price Category 14	+\$0	0
Price Category (Geiger) E	+\$404	319
Price Category (Geiger) F	+\$485	383
Price Category (Geiger) H	+\$822	649
Price Category (Geiger) I	+\$993	784
Price Category (Geiger) J	+\$1164	919
Price Category (Geiger) K	+\$1335	1054
Price Category (Geiger) L	+\$1506	1189
Price Category (Geiger) M	+\$1677	1324
Price Category (Geiger) R	+\$3515	2775

## For quilted (Q)

	A	N
Price Category (Geiger) COM <a href="#">A</a>	+\$0	0
Price Category (Geiger) COL <a href="#">A</a>	+\$342	270
Price Category 1	+\$0	0
Price Category (Geiger) 2	+\$0	0
Price Category 2	+\$223	176
Price Category (Geiger) 3	+\$280	221
Price Category 3	+\$280	221
Price Category (Geiger) 4	+\$342	270
Price Category (Geiger) 5	+\$499	394
Price Category 5	+\$499	394
Price Category (Geiger) 6	+\$656	518
Price Category (Geiger) 7	+\$812	641
Price Category (Geiger) 8	+\$1245	983
Price Category 9	+\$1544	1219
Price Category (Geiger) 10	+\$1777	1403
Price Category 11	+\$1990	1571
Price Category 14	+\$0	0
Price Category (Geiger) E	+\$404	319
Price Category (Geiger) F	+\$485	383
Price Category (Geiger) H	+\$822	649
Price Category (Geiger) I	+\$993	784
Price Category (Geiger) J	+\$1164	919
Price Category (Geiger) K	+\$1335	1054
Price Category (Geiger) L	+\$1506	1189
Price Category (Geiger) M	+\$1677	1324
Price Category (Geiger) R	+\$3515	2775

## Step 7. Base Finish

<b>926</b> black <a href="#">A</a>	+\$0
<b>AS</b> arctic silver <a href="#">A</a>	+\$0
<b>WHT</b> white <a href="#">A</a>	+\$0
<b>BNZ</b> bronze <a href="#">A</a>	+\$645
<b>CHR</b> chrome <a href="#">A</a>	+\$645
<b>SAC</b> satin chrome <a href="#">A</a>	+\$645

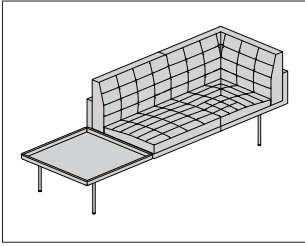
## Step 8. Fire Retardancy

	A	N
<b>NOCAL</b> no cal-133 required <a href="#">A</a>	+\$0	0
<b>133</b> cal-133 required <a href="#">A</a>	+\$309	244



# Tuxedo Component Lounge with Table - Two Seats

SX2AL  
 SX2AR  
 SX2CL  
 SX2CR  
 SX2NL  
 SX2NR



## Product Information

### Description

This 2-seat lounge with table has a steel plated metal base with cushions made of polyfoam and DACRON®. Cushions are quilted or not quilted. The unit is available with a corner on 1 side, an arm on 1 side, or without arms, and with the table on either the left or right side. Table top is solid wood 1½" thick. Fire retardant lounge meets CAL 133 requirements.

### Notes

Handedness is determined from a seated position.

Customer's Own Material (COM)/Customer's Own Leather (COL) requires the following:

Type—COM—COL

SX2ALN—8½ yards—153 square feet

SX2ALQ—8½ yards—153 square feet

SX2ARN—8½ yards—153 square feet

SX2ARQ—8½ yards—153 square feet

SX2CLN—9¼ yards—166½ square feet

SX2CLQ—9¼ yards—166½ square feet

SX2CRN—9¼ yards—166½ square feet

SX2CRQ—9¼ yards—166½ square feet

SX2NLN—7½ yards—135 square feet

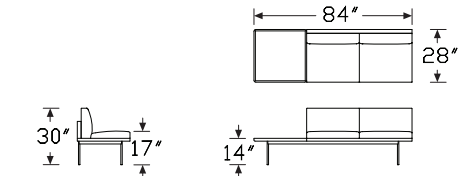
SX2NLQ—7½ yards—135 square feet

SX2NRN—7½ yards—135 square feet

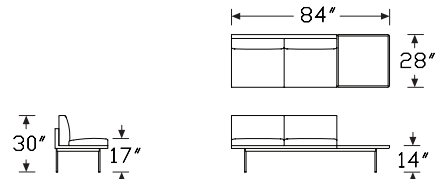
SX2NRQ—7½ yards—135 square feet

See Order Information in Appendices for more information.

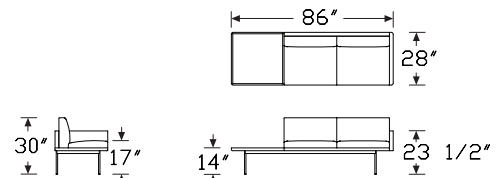
## Dimensions



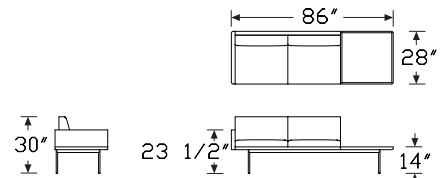
Tuxedo 2 Seats Armless, Table Right



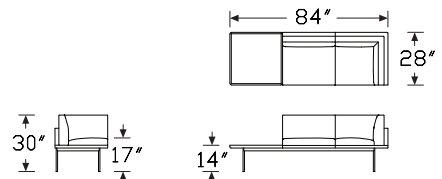
Tuxedo 2 Seats Armless, Table Left



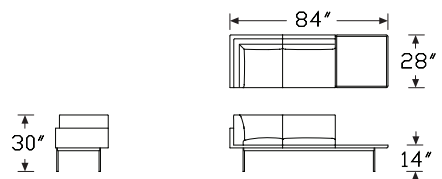
Tuxedo 2 Seats Arm Left, Table Right



Tuxedo 2 Seats Arm Right, Table Left



Tuxedo Settee Corner Left, Table Right



Tuxedo Settee Corner Right, Table Left

# Tuxedo Component Lounge with Table - Two Seats *continued*

Specification Information		
Step 1.		
<b>SX2</b>	<input type="checkbox"/>	
Step 2. Arms		
<b>A</b>	arm 1 side	<input type="checkbox"/>
<b>C</b>	corner 1 side	<input type="checkbox"/>
<b>N</b>	no arms	<input type="checkbox"/>
Step 3. Handing		
<b>L</b>	seating left, table right	<input type="checkbox"/>
<b>R</b>	seating right, table left	<input type="checkbox"/>
Step 4. Upholstery Type		
<b>N</b>	not quilted	<input type="checkbox"/>
<b>Q</b>	quilted	<input type="checkbox"/>
Prices for Steps 1-4.		
<b>SX2AL</b>	<b>N</b>	\$4580
	<b>Q</b>	\$4835
<b>SX2AR</b>	<b>N</b>	\$4580
	<b>Q</b>	\$4835
<b>SX2CL</b>	<b>N</b>	\$5131
	<b>Q</b>	\$5437
<b>SX2CR</b>	<b>N</b>	\$5131
	<b>Q</b>	\$5437
<b>SX2NL</b>	<b>N</b>	\$4274
	<b>Q</b>	\$4529
<b>SX2NR</b>	<b>N</b>	\$4274
	<b>Q</b>	\$4529
Step 5. Wood Finish		
<b>66G</b>	recograin wenge	<input type="checkbox"/> +\$0
<b>68W</b>	recograin walnut, flat cut, matte sheen	<input type="checkbox"/> +\$0
<b>69G</b>	recograin wenge	<input type="checkbox"/> +\$0
<b>69W</b>	recograin walnut, quarter cut, matte sheen	<input type="checkbox"/> +\$0
<b>96G</b>	wenge recograin, quarter cut, low sheen	<input type="checkbox"/> +\$0
<b>98W</b>	recograin walnut, flat cut, low sheen	<input type="checkbox"/> +\$0
<b>99G</b>	recograin wenge, quarter cut, low sheen	<input type="checkbox"/> +\$0
<b>99W</b>	recograin walnut, quarter cut, low sheen	<input type="checkbox"/> +\$0

Matte Finishes		
<b>662</b>	toasted walnut, matte sheen	<input type="checkbox"/> +\$0
<b>663</b>	charred walnut, matte sheen	<input type="checkbox"/> +\$0
<b>664</b>	bronzed walnut, matte sheen	<input type="checkbox"/> +\$0
<b>665</b>	smoked walnut, matte sheen	<input type="checkbox"/> +\$0
<b>666</b>	coffee walnut, matte sheen	<input type="checkbox"/> +\$0
<b>667</b>	smoked paldao, quarter cut, matte sheen	<input type="checkbox"/> +\$0
<b>669</b>	warm paldao, quarter cut, matte sheen	<input type="checkbox"/> +\$0
<b>66A</b>	recograin frosty ash	<input type="checkbox"/> +\$0
<b>677</b>	chocolate ash, matte sheen	<input type="checkbox"/> +\$0
<b>68R</b>	recograin rosewood	<input type="checkbox"/> +\$0
<b>69A</b>	recograin frosty ash	<input type="checkbox"/> +\$0
<b>69R</b>	recograin rosewood	<input type="checkbox"/> +\$0
<b>69T</b>	recograin teak	<input type="checkbox"/> +\$0
<b>6K1</b>	rift oak	<input type="checkbox"/> +\$0
<b>ET</b>	clear on ash	<input type="checkbox"/> +\$0
<b>EU</b>	oak on ash	<input type="checkbox"/> +\$0
<b>EV</b>	walnut on ash	<input type="checkbox"/> +\$0
<b>GOU</b>	natural walnut, flat cut, matte sheen	<input type="checkbox"/> +\$0
<b>6A1</b>	white ash	<input type="checkbox"/> +\$0
<b>6K6</b>	burnt oak	<input type="checkbox"/> +\$0
<b>932</b>	sundance anigre	<input type="checkbox"/> +\$0
<b>933</b>	caramel anigre	<input type="checkbox"/> +\$0
<b>934</b>	henna anigre	<input type="checkbox"/> +\$0
<b>940</b>	sundance cherry on maple	<input type="checkbox"/> +\$0
<b>962</b>	toasted walnut, low sheen	<input type="checkbox"/> +\$0
<b>963</b>	charred walnut, low sheen	<input type="checkbox"/> +\$0
<b>964</b>	bronzed walnut, low sheen	<input type="checkbox"/> +\$0
<b>965</b>	smoked walnut, low sheen	<input type="checkbox"/> +\$0
<b>966</b>	coffee walnut, low sheen	<input type="checkbox"/> +\$0
<b>967</b>	smoked paldao, low sheen	<input type="checkbox"/> +\$0
<b>969</b>	warm paldao, low sheen	<input type="checkbox"/> +\$0
<b>972</b>	sundance walnut	<input type="checkbox"/> +\$0
<b>977</b>	chocolate ash, low sheen	<input type="checkbox"/> +\$0
<b>98R</b>	recograin rosewood	<input type="checkbox"/> +\$0
<b>991</b>	champagne ash	<input type="checkbox"/> +\$0
<b>99A</b>	recograin frosty ash	<input type="checkbox"/> +\$0
<b>99R</b>	recograin rosewood	<input type="checkbox"/> +\$0
<b>99T</b>	recograin teak	<input type="checkbox"/> +\$0
<b>9A1</b>	white ash, quarter cut, low sheen	<input type="checkbox"/> +\$0
<b>9K1</b>	rift oak, rift cut, low sheen	<input type="checkbox"/> +\$0
<b>G2U</b>	light brown walnut, low sheen	<input type="checkbox"/> +\$0
<b>G40</b>	dark brown walnut, low sheen	<input type="checkbox"/> +\$0
<b>UX</b>	walnut on cherry	<input type="checkbox"/> +\$0
<b>943</b>	caramel cherry	<input type="checkbox"/> +\$0
<b>946</b>	cocoa cherry	<input type="checkbox"/> +\$0
<b>956</b>	cocoa sapele	<input type="checkbox"/> +\$0

# Tuxedo Component Lounge with Table - Two Seats *continued*

<b>998</b>	ebony ash <input type="checkbox"/>	+\$0
<b>ED</b>	aged cherry <input type="checkbox"/>	+\$0
<b>EK</b>	medium red walnut <input type="checkbox"/>	+\$0

## Step 6. Fabric

	AN	AQ	CN	CQ	NN
Price Category (Geiger) COM <input type="checkbox"/>	+\$0	0	0	0	0
Price Category (Geiger) COL <input type="checkbox"/>	+\$612	612	666	666	540
Price Category 1	+\$0	0	0	0	0
Price Category (Geiger) 2	+\$0	0	0	0	0
Price Category 2	+\$400	400	435	435	353
Price Category (Geiger) 3	+\$502	502	546	546	443
Price Category 3	+\$502	502	546	546	443
Price Category (Geiger) 4	+\$612	612	666	666	540
Price Category 4	+\$612	612	666	666	540
Price Category (Geiger) 5	+\$893	893	971	971	788
Price Category 5	+\$893	893	971	971	788
Price Category (Geiger) 6	+\$1173	1173	1277	1277	1035
Price Category (Geiger) 7	+\$1454	1454	1582	1582	1283
Price Category 7	+\$1454	1454	1582	1582	1283
Price Category (Geiger) 8	+\$2227	2227	2424	2424	1965
Price Category 9	+\$2763	2763	3006	3006	2438
Price Category (Geiger) 10	+\$3179	3179	3460	3460	2805
Price Category 11	+\$3562	3562	3876	3876	3143
Price Category 14	+\$0	0	0	0	0
Price Category (Geiger) E	+\$723	723	786	786	638
Price Category (Geiger) F	+\$867	867	944	944	765
Price Category (Geiger) H	+\$1182	1471	1600	1600	1298
Price Category (Geiger) I	+\$1471	1777	1933	1933	1568
Price Category (Geiger) J	+\$1777	2083	2266	2266	1838
Price Category (Geiger) K	+\$2083	2389	2599	2599	2108
Price Category (Geiger) L	+\$2389	2695	2932	2932	2378
Price Category (Geiger) M	+\$2695	3001	3265	3265	2648
Price Category (Geiger) R	+\$6290	6290	6845	6845	5550
Price Category FF	+\$0	0	0	0	0

	NQ
Price Category (Geiger) COM <input type="checkbox"/>	+\$0
Price Category (Geiger) COL <input type="checkbox"/>	+\$540
Price Category 1	+\$0
Price Category (Geiger) 2	+\$0
Price Category 2	+\$353
Price Category (Geiger) 3	+\$443
Price Category 3	+\$443
Price Category (Geiger) 4	+\$540
Price Category 4	+\$540
Price Category (Geiger) 5	+\$788
Price Category 5	+\$788
Price Category (Geiger) 6	+\$1035
Price Category (Geiger) 7	+\$1283
Price Category 7	+\$1283
Price Category (Geiger) 8	+\$1965
Price Category 9	+\$2438
Price Category (Geiger) 10	+\$2805
Price Category 11	+\$3143
Price Category 14	+\$0
Price Category (Geiger) E	+\$638
Price Category (Geiger) F	+\$765
Price Category (Geiger) H	+\$1298
Price Category (Geiger) I	+\$1568
Price Category (Geiger) J	+\$1838
Price Category (Geiger) K	+\$2108
Price Category (Geiger) L	+\$2378
Price Category (Geiger) M	+\$2648
Price Category (Geiger) R	+\$5550
Price Category FF	+\$0

## Step 7. Base Finish

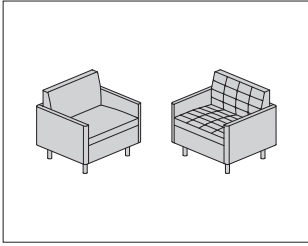
<b>926</b>	black <input type="checkbox"/>	+\$0
<b>AS</b>	arctic silver <input type="checkbox"/>	+\$0
<b>WHT</b>	white <input type="checkbox"/>	+\$0
<b>BNZ</b>	bronze <input type="checkbox"/>	+\$0
<b>CHR</b>	chrome <input type="checkbox"/>	+\$0
<b>SAC</b>	satin chrome <input type="checkbox"/>	+\$0

## Step 8. Fire Retardancy

	A	C	N
<b>NOCAL</b> no cal-133 required <input type="checkbox"/>	+\$0	0	0
<b>133</b> cal-133 required <input type="checkbox"/>	+\$553	601	488

# Tuxedo Classic Club Chair

SZ1AB



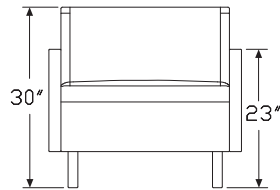
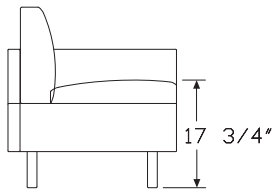
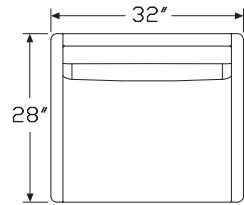
HermanMiller Collection—Lounge Seating

**Product Information**

**Description**  
 This club chair has solid wood legs with cushions made of polyfoam and DACRON®. Cushions are quilted or not quilted. Fire retardant chair meets CAL 133 requirements.

**Notes**  
 Customer's Own Material (COM)/Customer's Own Leather (COL) requires the following:  
 Type—COM—COL  
 Not quilted—6½ yards—117 square feet  
 Quilted—6½ yards—117 square feet  
 See Order Information in Appendices for more information.

**Dimensions**



**Specification Information**

**Step 1.**  
**SZ1** A

**Step 2. Arms**  
**AB** arms on left and right A

**Step 3. Upholstery Type**  
**N** not quilted A  
**Q** quilted A

**Prices for Steps 1-3.**

<b>SZ1AB N</b>	\$2443
<b>Q</b>	\$2570

**Step 4. Fabric**

*For not quilted (N)*

Price Category (Geiger) COM <span style="border: 1px solid black; padding: 0 2px;">A</span>	+\$0
Price Category (Geiger) COL <span style="border: 1px solid black; padding: 0 2px;">A</span>	+\$468
Price Category 1	+\$0
Price Category (Geiger) 2	+\$306
Price Category 2	+\$306
Price Category (Geiger) 3	+\$384
Price Category 3	+\$384
Price Category (Geiger) 4	+\$468
Price Category (Geiger) 5	+\$683
Price Category 5	+\$683
Price Category (Geiger) 6	+\$897
Price Category (Geiger) 7	+\$1112
Price Category (Geiger) 8	+\$1703
Price Category (Geiger) 9	+\$2113
Price Category 9	+\$2113
Price Category (Geiger) 10	+\$2431
Price Category 11	+\$2724
Price Category 14	+\$0
Price Category (Geiger) E	+\$553
Price Category (Geiger) F	+\$663
Price Category (Geiger) G	+\$904
Price Category (Geiger) H	+\$1125
Price Category (Geiger) I	+\$1359
Price Category (Geiger) J	+\$1593
Price Category (Geiger) K	+\$1827
Price Category (Geiger) L	+\$2061
Price Category (Geiger) M	+\$2295
Price Category (Geiger) R	+\$4810

# Tuxedo Classic Club Chair *continued*

## For quilted (Q)

Price Category (Geiger) COM <span style="border: 1px solid black; padding: 0 2px;">A</span>	+\$0
Price Category (Geiger) COL <span style="border: 1px solid black; padding: 0 2px;">A</span>	+\$468
Price Category 1	+\$0
Price Category (Geiger) 2	+\$306
Price Category 2	+\$306
Price Category (Geiger) 3	+\$384
Price Category (Geiger) 4	+\$468
Price Category (Geiger) 5	+\$683
Price Category 5	+\$683
Price Category (Geiger) 6	+\$897
Price Category (Geiger) 7	+\$1112
Price Category (Geiger) 8	+\$1703
Price Category 9	+\$2113
Price Category (Geiger) 10	+\$2431
Price Category 11	+\$2724
Price Category 14	+\$0
Price Category (Geiger) E	+\$553
Price Category (Geiger) F	+\$663
Price Category (Geiger) G	+\$904
Price Category (Geiger) H	+\$1125
Price Category (Geiger) I	+\$1359
Price Category (Geiger) J	+\$1593
Price Category (Geiger) K	+\$1827
Price Category (Geiger) L	+\$2061
Price Category (Geiger) M	+\$2295
Price Category (Geiger) R	+\$4810

## Step 5. Base Finish

<b>66G</b> recograin wenge <span style="border: 1px solid black; padding: 0 2px;">A</span>	+\$0
<b>68W</b> recograin walnut, flat cut, matte sheen <span style="border: 1px solid black; padding: 0 2px;">A</span>	+\$0
<b>69G</b> recograin wenge <span style="border: 1px solid black; padding: 0 2px;">A</span>	+\$0
<b>69W</b> recograin walnut, quarter cut, matte sheen <span style="border: 1px solid black; padding: 0 2px;">A</span>	+\$0
<b>96G</b> wenge recograin, quarter cut, low sheen <span style="border: 1px solid black; padding: 0 2px;">A</span>	+\$0
<b>98W</b> recograin walnut, flat cut, low sheen <span style="border: 1px solid black; padding: 0 2px;">A</span>	+\$0
<b>99G</b> recograin wenge, quarter cut, low sheen <span style="border: 1px solid black; padding: 0 2px;">A</span>	+\$0
<b>99W</b> recograin walnut, quarter cut, low sheen <span style="border: 1px solid black; padding: 0 2px;">A</span>	+\$0
<b>932</b> sundance anigre <span style="border: 1px solid black; padding: 0 2px;">A</span>	+\$0
<b>933</b> caramel anigre <span style="border: 1px solid black; padding: 0 2px;">A</span>	+\$0
<b>934</b> henna anigre <span style="border: 1px solid black; padding: 0 2px;">A</span>	+\$0
<b>940</b> sundance cherry on maple <span style="border: 1px solid black; padding: 0 2px;">A</span>	+\$0
<b>962</b> toasted walnut, low sheen <span style="border: 1px solid black; padding: 0 2px;">A</span>	+\$0
<b>963</b> charred walnut, low sheen <span style="border: 1px solid black; padding: 0 2px;">A</span>	+\$0
<b>964</b> bronzed walnut, low sheen <span style="border: 1px solid black; padding: 0 2px;">A</span>	+\$0
<b>965</b> smoked walnut, low sheen <span style="border: 1px solid black; padding: 0 2px;">A</span>	+\$0
<b>966</b> coffee walnut, low sheen <span style="border: 1px solid black; padding: 0 2px;">A</span>	+\$0
<b>967</b> smoked paldao, low sheen <span style="border: 1px solid black; padding: 0 2px;">A</span>	+\$0

<b>969</b> warm paldao, low sheen <span style="border: 1px solid black; padding: 0 2px;">A</span>	+\$0
<b>972</b> sundance walnut <span style="border: 1px solid black; padding: 0 2px;">A</span>	+\$0
<b>977</b> chocolate ash, low sheen <span style="border: 1px solid black; padding: 0 2px;">A</span>	+\$0
<b>98R</b> recograin rosewood <span style="border: 1px solid black; padding: 0 2px;">A</span>	+\$0
<b>991</b> champagne ash <span style="border: 1px solid black; padding: 0 2px;">A</span>	+\$0
<b>99A</b> recograin frosty ash <span style="border: 1px solid black; padding: 0 2px;">A</span>	+\$0
<b>99R</b> recograin rosewood <span style="border: 1px solid black; padding: 0 2px;">A</span>	+\$0
<b>99T</b> recograin teak <span style="border: 1px solid black; padding: 0 2px;">A</span>	+\$0
<b>9A1</b> white ash, quarter cut, low sheen <span style="border: 1px solid black; padding: 0 2px;">A</span>	+\$0
<b>9K1</b> rift oak, rift cut, low sheen <span style="border: 1px solid black; padding: 0 2px;">A</span>	+\$0
<b>9K6</b> burnt oak, rift cut, low sheen <span style="border: 1px solid black; padding: 0 2px;">A</span>	+\$0
<b>G2U</b> light brown walnut, low sheen <span style="border: 1px solid black; padding: 0 2px;">A</span>	+\$0
<b>G40</b> dark brown walnut, low sheen <span style="border: 1px solid black; padding: 0 2px;">A</span>	+\$0
<b>UX</b> walnut on cherry <span style="border: 1px solid black; padding: 0 2px;">A</span>	+\$0
<b>943</b> caramel cherry <span style="border: 1px solid black; padding: 0 2px;">A</span>	+\$0
<b>946</b> cocoa cherry <span style="border: 1px solid black; padding: 0 2px;">A</span>	+\$0
<b>956</b> cocoa sapele <span style="border: 1px solid black; padding: 0 2px;">A</span>	+\$0
<b>998</b> ebony ash <span style="border: 1px solid black; padding: 0 2px;">A</span>	+\$0
<b>ED</b> aged cherry <span style="border: 1px solid black; padding: 0 2px;">A</span>	+\$0
<b>EK</b> medium red walnut <span style="border: 1px solid black; padding: 0 2px;">A</span>	+\$0

## Matte Finishes

<b>662</b> toasted walnut, matte sheen <span style="border: 1px solid black; padding: 0 2px;">A</span>	+\$0
<b>663</b> charred walnut, matte sheen <span style="border: 1px solid black; padding: 0 2px;">A</span>	+\$0
<b>664</b> bronzed walnut, matte sheen <span style="border: 1px solid black; padding: 0 2px;">A</span>	+\$0
<b>665</b> smoked walnut, matte sheen <span style="border: 1px solid black; padding: 0 2px;">A</span>	+\$0
<b>666</b> coffee walnut, matte sheen <span style="border: 1px solid black; padding: 0 2px;">A</span>	+\$0
<b>667</b> smoked paldao, quarter cut, matte sheen <span style="border: 1px solid black; padding: 0 2px;">A</span>	+\$0
<b>669</b> warm paldao, quarter cut, matte sheen <span style="border: 1px solid black; padding: 0 2px;">A</span>	+\$0
<b>66A</b> recograin frosty ash <span style="border: 1px solid black; padding: 0 2px;">A</span>	+\$0
<b>677</b> chocolate ash, matte sheen <span style="border: 1px solid black; padding: 0 2px;">A</span>	+\$0
<b>68R</b> recograin rosewood <span style="border: 1px solid black; padding: 0 2px;">A</span>	+\$0
<b>69A</b> recograin frosty ash <span style="border: 1px solid black; padding: 0 2px;">A</span>	+\$0
<b>69R</b> recograin rosewood <span style="border: 1px solid black; padding: 0 2px;">A</span>	+\$0
<b>69T</b> recograin teak <span style="border: 1px solid black; padding: 0 2px;">A</span>	+\$0
<b>6K1</b> rift oak <span style="border: 1px solid black; padding: 0 2px;">A</span>	+\$0
<b>ET</b> clear on ash <span style="border: 1px solid black; padding: 0 2px;">A</span>	+\$0
<b>EU</b> oak on ash <span style="border: 1px solid black; padding: 0 2px;">A</span>	+\$0
<b>EV</b> walnut on ash <span style="border: 1px solid black; padding: 0 2px;">A</span>	+\$0
<b>GOU</b> natural walnut, flat cut, matte sheen <span style="border: 1px solid black; padding: 0 2px;">A</span>	+\$0
<b>6A1</b> white ash <span style="border: 1px solid black; padding: 0 2px;">A</span>	+\$0
<b>6K6</b> burnt oak <span style="border: 1px solid black; padding: 0 2px;">A</span>	+\$0

## Step 6. Fire Retardancy

<b>NOCAL</b> no cal-133 required <span style="border: 1px solid black; padding: 0 2px;">A</span>	+\$0
<b>133</b> cal-133 required <span style="border: 1px solid black; padding: 0 2px;">A</span>	+\$423

Striad High-Back Lounge Chair, CCL100  
4-Star Base



HermanMiller Collection—Lounge Seating

**Product Information**

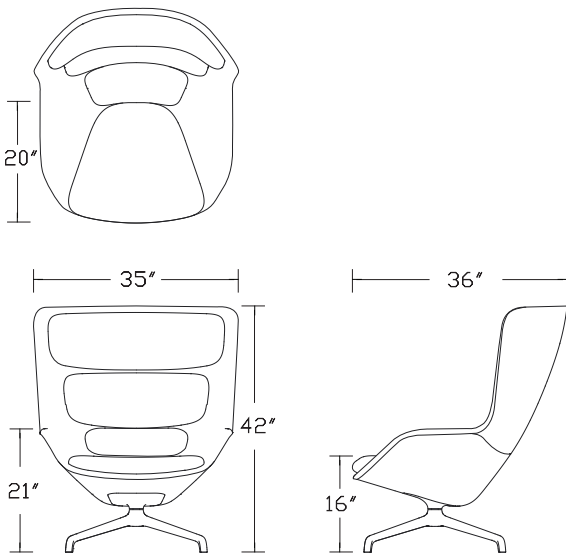
**Description**

This lounge chair has a high back, dual density foam cushions, and a 4-star aluminum base with a swivel-return feature. The outer shell provides rigidity and support while the inner shell provides flexibility for added movement and comfort.

**Notes**

Customer's Own Material (COM) requires 5 yards (2½ yards for shell, 2½ yards for cushions). Customer's Own Leather (COL) requires 90 square feet (45 sq ft for shell, 45 sq ft for cushions). See Order Information in appendices.

**Dimensions**



**Specification Information**

**Step 1.**

**CCL100.** [A]

**Step 2. Base**

**S** swivel, auto return [A]

**Prices for Steps 1-2.**

**CCL100. S** \$3395

**Step 3. Base Finish**

**91** white [A] +\$0  
**BK** black [A] +\$0  
**PA** polished aluminum [A] +\$0

**Step 4. Outer Shell Finish**

**91** white [A] +\$0  
**BK** black [A] +\$0  
**WN** warm grey neutral [A] +\$0

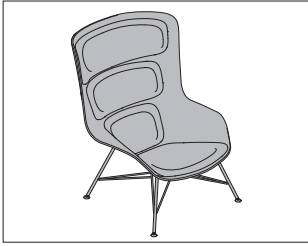
**Step 5. Shell Upholstery**

Price Category 1 [A] +\$0  
 Price Category 2 +\$16  
 Price Category (Geiger) 3 +\$39  
 Price Category (Geiger) 4 +\$88  
 Price Category 5 +\$149  
 Price Category (Geiger) 7 +\$277  
 Price Category (Geiger) 8 +\$365  
 Price Category 9 +\$455  
 Price Category (Geiger) 10 +\$545  
 Price Category (Geiger) 11 +\$635  
 Price Category 11 +\$635  
 Price Category B +\$76  
 Price Category E +\$222  
 Price Category G +\$425  
 Price Category H +\$526  
 Price Category J +\$726

Striad High-Back Lounge Chair, 4-  
Star Base *continued*

Step 6. Cushion Upholstery			
Price Category 1	A	+\$0	
Price Category (Geiger) 3		+\$39	
Price Category (Geiger) 4		+\$88	
Price Category 5		+\$149	
Price Category (Geiger) 7		+\$277	
Price Category (Geiger) 8		+\$365	
Price Category 9		+\$455	
Price Category (Geiger) 10		+\$545	
Price Category (Geiger) 11		+\$635	
Price Category 11		+\$635	
Price Category B		+\$76	
Price Category E		+\$222	
Price Category G		+\$425	
Price Category H		+\$526	
Price Category J		+\$726	
Step 7. Fire Retardancy			
<b>NFR</b>	not fire retardant	A	+\$0
<b>FR</b>	fire retardant	A	+\$375

Striad High-Back Lounge Chair, CCL101  
Wire Base



HermanMiller Collection—Lounge Seating

**Product Information**

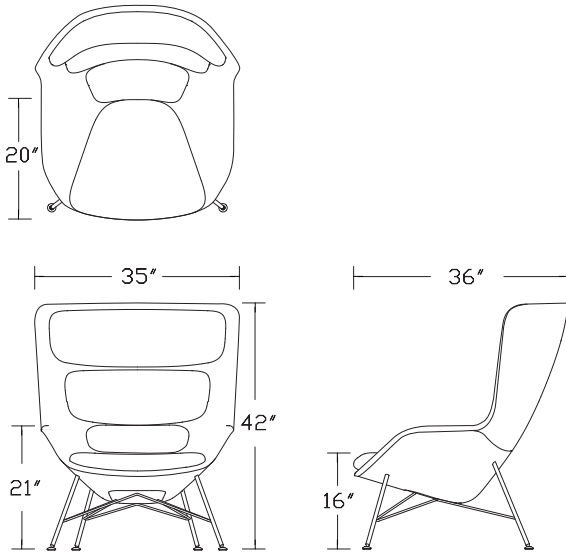
**Description**

This lounge chair has a high back, dual density foam cushions, and a 4-leg wire base. The outer shell provides rigidity and support while the inner shell provides flexibility for added movement and comfort.

**Notes**

Customer's Own Material (COM) requires 5 yards (2½ yards for shell, 2½ yards for cushions). Customer's Own Leather (COL) requires 90 square feet (45 sq ft for shell, 45 sq ft for cushions). See Order Information in appendices.

**Dimensions**



**Specification Information**

**Step 1.**

**CCL101.** A \$3175

**Step 2. Base Finish**

**47** trivalent chrome A +\$0  
**91** white A +\$0  
**BK** black A +\$0

**Step 3. Outer Shell Finish**

**91** white A +\$0  
**BK** black A +\$0  
**WN** warm grey neutral A +\$0

**Step 4. Shell Upholstery**

Price Category 1 A +\$0  
 Price Category (Geiger) 3 +\$39  
 Price Category (Geiger) 4 +\$88  
 Price Category 5 +\$149  
 Price Category (Geiger) 7 +\$277  
 Price Category (Geiger) 8 +\$365  
 Price Category 9 +\$455  
 Price Category (Geiger) 10 +\$545  
 Price Category (Geiger) 11 +\$635  
 Price Category 11 +\$635  
 Price Category B +\$76  
 Price Category E +\$222  
 Price Category G +\$425  
 Price Category H +\$526  
 Price Category J +\$726

**Step 5. Cushion Upholstery**

Price Category 1 A +\$0  
 Price Category (Geiger) 3 +\$39  
 Price Category (Geiger) 4 +\$88  
 Price Category 5 +\$149  
 Price Category (Geiger) 7 +\$277  
 Price Category (Geiger) 8 +\$365  
 Price Category 9 +\$455  
 Price Category (Geiger) 10 +\$545  
 Price Category (Geiger) 11 +\$635  
 Price Category 11 +\$635  
 Price Category B +\$76  
 Price Category E +\$222  
 Price Category G +\$425  
 Price Category H +\$526  
 Price Category J +\$726



# Striad High-Back Lounge Chair, Wire Base *continued*

---

## Step 6. Fire Retardancy

<b>NFR</b>	not fire retardant <input type="checkbox"/>	+\$0
<b>FR</b>	fire retardant <input type="checkbox"/>	+\$375

Striad Mid-Back Lounge Chair, CCL200  
4-Star Base



HermanMiller Collection—Lounge Seating

**Product Information**

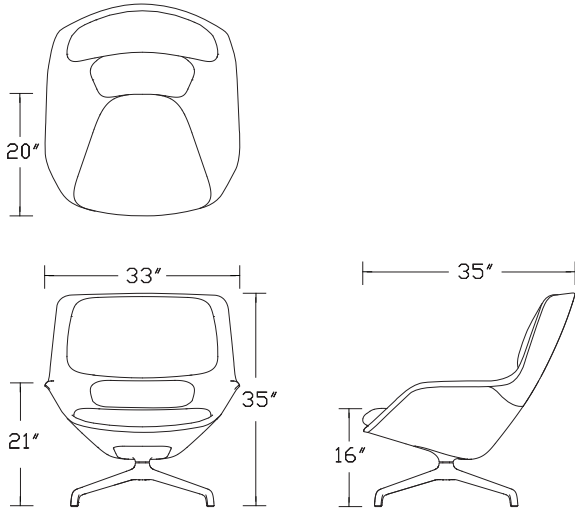
**Description**

This lounge chair has a mid back, dual density foam cushions, and a 4-star aluminum base with a swivel-return feature. The outer shell provides rigidity and support while the inner shell provides flexibility for added movement and comfort.

**Notes**

Customer's Own Material (COM) requires 3½ yards (1¾ yards for shell, 1¾ yards for cushions). Customer's Own Leather (COL) requires 63 square feet (31½ sq ft for shell, 31½ sq ft for cushions). See Order Information in appendices.

**Dimensions**



**Specification Information**

**Step 1.**

**CCL200.** [A]

**Step 2. Base**

**S** swivel, auto return [A]

**Prices for Steps 1-2.**

**CCL200. S** \$2995

**Step 3. Base Finish**

**91** white [A] +\$0  
**BK** black [A] +\$0  
**PA** polished aluminum [A] +\$0

**Step 4. Outer Shell Finish**

**91** white [A] +\$0  
**BK** black [A] +\$0  
**WN** warm grey neutral [A] +\$0

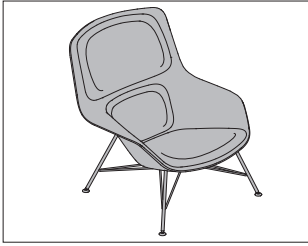
**Step 5. Shell Upholstery**

Price Category 1 [A] +\$0  
 Price Category (Geiger) 3 +\$27  
 Price Category (Geiger) 4 +\$62  
 Price Category 5 +\$102  
 Price Category (Geiger) 7 +\$194  
 Price Category (Geiger) 8 +\$256  
 Price Category 9 +\$319  
 Price Category (Geiger) 10 +\$382  
 Price Category (Geiger) 11 +\$445  
 Price Category 11 +\$445  
 Price Category B +\$53  
 Price Category E +\$156  
 Price Category G +\$298  
 Price Category H +\$368  
 Price Category J +\$508

Striad Mid-Back Lounge Chair, 4-  
Star Base *continued*

Step 6. Cushion Upholstery			
Price Category 1	A	+\$0	
Price Category (Geiger) 3		+\$27	
Price Category (Geiger) 4		+\$62	
Price Category 5		+\$102	
Price Category (Geiger) 7		+\$194	
Price Category (Geiger) 8		+\$256	
Price Category 9		+\$319	
Price Category (Geiger) 10		+\$382	
Price Category (Geiger) 11		+\$445	
Price Category 11		+\$445	
Price Category B		+\$53	
Price Category E		+\$156	
Price Category G		+\$298	
Price Category H		+\$368	
Price Category J		+\$508	
Step 7. Fire Retardancy			
<b>NFR</b>	not fire retardant	A	+\$0
<b>FR</b>	fire retardant	A	+\$275

Striad Mid-Back Lounge Chair, CCL201  
Wire Base



HermanMiller Collection—Lounge Seating

**Product Information**

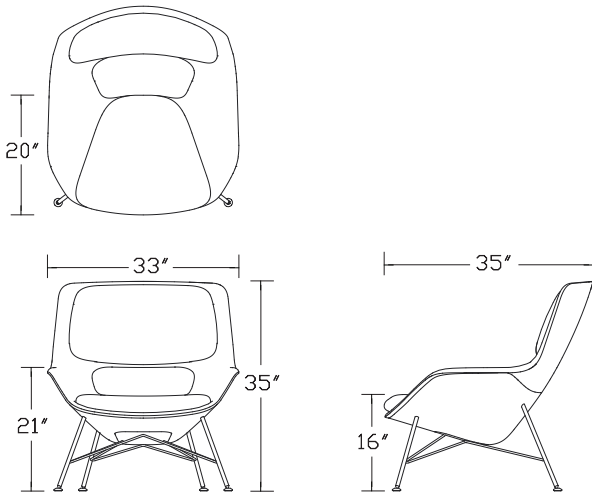
**Description**

This lounge chair has a mid back, dual density foam cushions, and a 4-leg wire base. The outer shell provides rigidity and support while the inner shell provides flexibility for added movement and comfort.

**Notes**

Customer's Own Material (COM) requires 3½ yards (1¾ yards for shell, 1¾ yards for cushions). Customer's Own Leather (COL) requires 63 square feet (31½ sq ft for shell, 31½ sq ft for cushions). See Order Information in appendices.

**Dimensions**



**Specification Information**

**Step 1.**

**CCL201.** A \$2775

**Step 2. Base Finish**

**47** trivalent chrome A +\$0  
**91** white A +\$0  
**BK** black A +\$0

**Step 3. Outer Shell Finish**

**91** white A +\$0  
**BK** black A +\$0  
**WN** warm grey neutral A +\$0

**Step 4. Shell Upholstery**

Price Category 1 A +\$0  
 Price Category (Geiger) 3 +\$27  
 Price Category (Geiger) 4 +\$62  
 Price Category 5 +\$102  
 Price Category (Geiger) 7 +\$194  
 Price Category (Geiger) 8 +\$256  
 Price Category 9 +\$319  
 Price Category (Geiger) 10 +\$382  
 Price Category (Geiger) 11 +\$445  
 Price Category 11 +\$445  
 Price Category B +\$53  
 Price Category E +\$156  
 Price Category G +\$298  
 Price Category H +\$368  
 Price Category J +\$508

**Step 5. Cushion Upholstery**

Price Category 1 A +\$0  
 Price Category (Geiger) 3 +\$27  
 Price Category (Geiger) 4 +\$62  
 Price Category 5 +\$102  
 Price Category (Geiger) 7 +\$194  
 Price Category (Geiger) 8 +\$256  
 Price Category 9 +\$319  
 Price Category (Geiger) 10 +\$382  
 Price Category (Geiger) 11 +\$445  
 Price Category 11 +\$445  
 Price Category B +\$53  
 Price Category E +\$156  
 Price Category G +\$298  
 Price Category H +\$368  
 Price Category J +\$508

Striad Mid-Back Lounge Chair,  
Wire Base *continued*

---

Step 6. Fire Retardancy

<b>NFR</b>	not fire retardant <input type="checkbox"/>	+\$0
<b>FR</b>	fire retardant <input type="checkbox"/>	+\$275

Striad Low-Back Lounge Chair, CCL300  
4-Star Base



HermanMiller Collection—Lounge Seating

**Product Information**

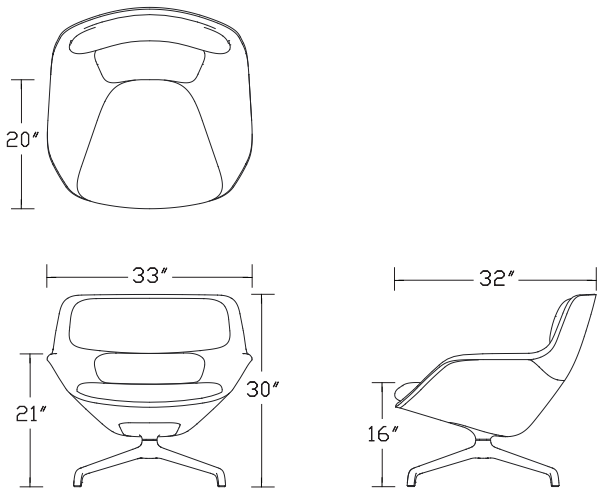
**Description**

This lounge chair has a low back, dual density foam cushions, and a 4-star aluminum base with a swivel-return feature. The outer shell provides rigidity and support while the inner shell provides flexibility for added movement and comfort.

**Notes**

Customer's Own Material (COM) requires 3½ yards (1¾ yards for shell, 1¾ yards for cushions). Customer's Own Leather (COL) requires 63 square feet (31½ sq ft for shell, 31½ sq ft for cushions). See Order Information in appendices.

**Dimensions**



**Specification Information**

**Step 1.**

**CCL300.** [A]

**Step 2. Base**

**S** swivel, auto return [A]

**Prices for Steps 1-2.**

**CCL300. S** \$2815

**Step 3. Base Finish**

**91** white [A] +\$0  
**BK** black [A] +\$0  
**PA** polished aluminum [A] +\$0

**Step 4. Outer Shell Finish**

**91** white [A] +\$0  
**BK** black [A] +\$0  
**WN** warm grey neutral [A] +\$0

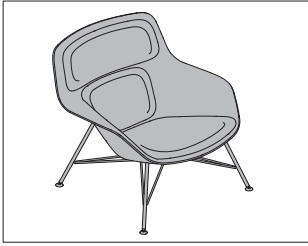
**Step 5. Shell Upholstery**

Price Category 1 [A] +\$0  
 Price Category (Geiger) 3 +\$25  
 Price Category (Geiger) 4 +\$57  
 Price Category 5 +\$92  
 Price Category (Geiger) 7 +\$180  
 Price Category (Geiger) 8 +\$237  
 Price Category 9 +\$296  
 Price Category (Geiger) 10 +\$354  
 Price Category (Geiger) 11 +\$413  
 Price Category 11 +\$413  
 Price Category B +\$50  
 Price Category E +\$145  
 Price Category G +\$276  
 Price Category H +\$342  
 Price Category J +\$472

Striad Low-Back Lounge Chair, 4-  
Star Base *continued*

Step 6. Cushion Upholstery			
Price Category 1	A	+\$0	
Price Category (Geiger) 3		+\$25	
Price Category (Geiger) 4		+\$57	
Price Category 5		+\$92	
Price Category (Geiger) 7		+\$180	
Price Category (Geiger) 8		+\$237	
Price Category 9		+\$296	
Price Category (Geiger) 10		+\$354	
Price Category (Geiger) 11		+\$413	
Price Category 11		+\$413	
Price Category B		+\$50	
Price Category E		+\$145	
Price Category G		+\$276	
Price Category H		+\$342	
Price Category J		+\$472	
Step 7. Fire Retardancy			
<b>NFR</b>	not fire retardant	A	+\$0
<b>FR</b>	fire retardant	A	+\$250

Striad Low-Back Lounge Chair, CCL301  
Wire Base



HermanMiller Collection—Lounge Seating

**Product Information**

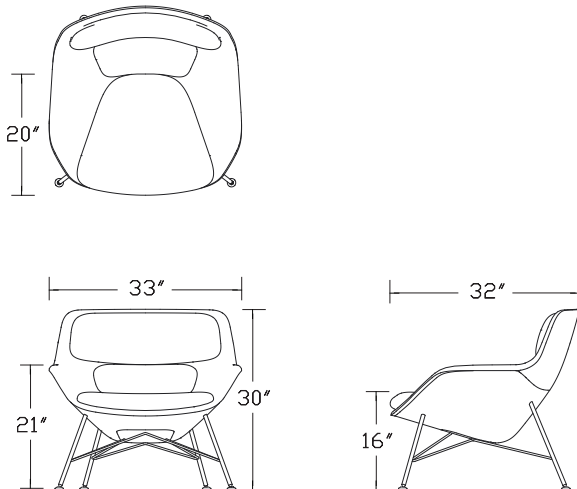
**Description**

This lounge chair has a low back, dual density foam cushions, and a 4-leg wire base. The outer shell provides rigidity and support while the inner shell provides flexibility for added movement and comfort.

**Notes**

Customer's Own Material (COM) requires 3½ yards (1¾ yards for shell, 1¾ yards for cushions). Customer's Own Leather (COL) requires 63 square feet (31½ sq ft for shell, 31½ sq ft for cushions). See Order Information in appendices.

**Dimensions**



**Specification Information**

**Step 1.**

**CCL301.** A \$2595

**Step 2. Base Finish**

**47** trivalent chrome A +\$0  
**91** white A +\$0  
**BK** black A +\$0

**Step 3. Outer Shell Finish**

**91** white A +\$0  
**BK** black A +\$0  
**WN** warm grey neutral A +\$0

**Step 4. Shell Upholstery**

Price Category 1 A +\$0  
 Price Category (Geiger) 3 +\$25  
 Price Category (Geiger) 4 +\$57  
 Price Category 5 +\$92  
 Price Category (Geiger) 7 +\$180  
 Price Category (Geiger) 8 +\$237  
 Price Category 9 +\$296  
 Price Category (Geiger) 10 +\$354  
 Price Category (Geiger) 11 +\$413  
 Price Category 11 +\$413  
 Price Category B +\$50  
 Price Category E +\$145  
 Price Category G +\$276  
 Price Category H +\$342  
 Price Category J +\$472

**Step 5. Cushion Upholstery**

Price Category 1 A +\$0  
 Price Category (Geiger) 3 +\$25  
 Price Category (Geiger) 4 +\$57  
 Price Category 5 +\$92  
 Price Category (Geiger) 7 +\$180  
 Price Category (Geiger) 8 +\$237  
 Price Category 9 +\$296  
 Price Category (Geiger) 10 +\$354  
 Price Category (Geiger) 11 +\$413  
 Price Category 11 +\$413  
 Price Category B +\$50  
 Price Category E +\$145  
 Price Category G +\$276  
 Price Category H +\$342  
 Price Category J +\$472



Striad Low-Back Lounge Chair,  
Wire Base *continued*

---

Step 6. Fire Retardancy

<b>NFR</b>	not fire retardant <input type="checkbox"/>	+\$0
<b>FR</b>	fire retardant <input type="checkbox"/>	+\$250



**Product Information**

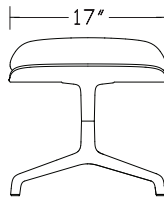
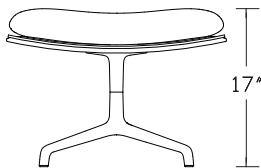
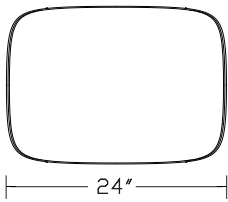
**Description**

This ottoman has a 4-star fixed aluminum base.

**Notes**

Customer's Own Material (COM) requires 2 yards (1 yard for shell, 1 yard for cushion). Customer's Own Leather (COL) requires 36 square feet (18 sq ft for shell, 18 sq ft for cushions). See Order Information in appendices.

**Dimensions**



**Specification Information**

**Step 1.**

**CCL400.** A \$1100

**Step 2. Base Finish**

**91** white A +\$0  
**BK** black A +\$0  
**PA** polished aluminum A +\$0

**Step 3. Shell Upholstery**

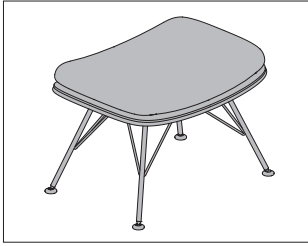
Price Category 1 A +\$0  
 Price Category (Geiger) 3 +\$16  
 Price Category (Geiger) 4 +\$35  
 Price Category 5 +\$57  
 Price Category (Geiger) 7 +\$111  
 Price Category (Geiger) 8 +\$146  
 Price Category 9 +\$182  
 Price Category (Geiger) 10 +\$218  
 Price Category (Geiger) 11 +\$254  
 Price Category 11 +\$254  
 Price Category B +\$31  
 Price Category E +\$89  
 Price Category G +\$170  
 Price Category H +\$211  
 Price Category J +\$291

**Step 4. Cushion Upholstery**

Price Category 1 A +\$0  
 Price Category (Geiger) 3 +\$16  
 Price Category (Geiger) 4 +\$35  
 Price Category 5 +\$57  
 Price Category (Geiger) 7 +\$111  
 Price Category (Geiger) 8 +\$146  
 Price Category 9 +\$182  
 Price Category (Geiger) 10 +\$218  
 Price Category (Geiger) 11 +\$254  
 Price Category 11 +\$254  
 Price Category B +\$31  
 Price Category E +\$89  
 Price Category G +\$170  
 Price Category H +\$211  
 Price Category J +\$291

**Step 5. Fire Retardancy**

**NFR** not fire retardant A +\$0  
**FR** fire retardant A +\$150



**Product Information**

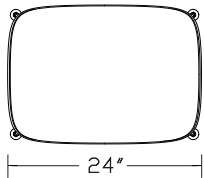
**Description**

This ottoman has a 4-leg wire base.

**Notes**

Customer's Own Material (COM) requires 2 yards (1 yard for shell, 1 yard for cushion). Customer's Own Leather (COL) requires 36 square feet (18 sq ft for shell, 18 sq ft for cushions). See Order Information in appendices.

**Dimensions**



**Specification Information**

**Step 1.**

**CCL401.**  A \$1085

**Step 2. Base Finish**

**47** trivalent chrome  A +\$0  
**91** white  A +\$0  
**BK** black  A +\$0

**Step 3. Shell Upholstery**

Price Category 1  A +\$0  
 Price Category (Geiger) 3 +\$16  
 Price Category (Geiger) 4 +\$35  
 Price Category 5 +\$57  
 Price Category (Geiger) 7 +\$111  
 Price Category (Geiger) 8 +\$146  
 Price Category 9 +\$182  
 Price Category (Geiger) 10 +\$218  
 Price Category (Geiger) 11 +\$254  
 Price Category 11 +\$254  
 Price Category B +\$31  
 Price Category E +\$89  
 Price Category G +\$170  
 Price Category H +\$211  
 Price Category J +\$291

**Step 4. Cushion Upholstery**

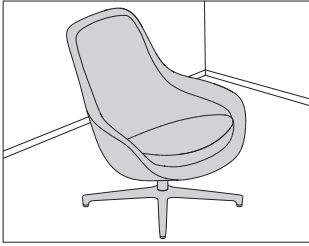
Price Category 1  A +\$0  
 Price Category (Geiger) 3 +\$16  
 Price Category (Geiger) 4 +\$35  
 Price Category 5 +\$57  
 Price Category (Geiger) 7 +\$111  
 Price Category (Geiger) 8 +\$146  
 Price Category 9 +\$182  
 Price Category (Geiger) 10 +\$218  
 Price Category (Geiger) 11 +\$254  
 Price Category 11 +\$254  
 Price Category B +\$31  
 Price Category E +\$89  
 Price Category G +\$170  
 Price Category H +\$211  
 Price Category J +\$291

**Step 5. Fire Retardancy**

**NFR** not fire retardant  A +\$0  
**FR** fire retardant  A +\$150

# Saiba Lounge

SBN5H



HermanMiller Collection—Lounge Seating

### Product Information

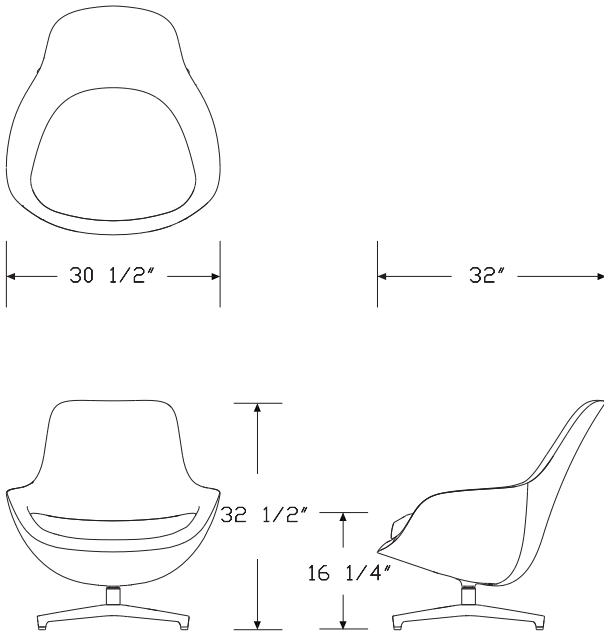
#### Description

This high back chair has a 4-star base with glides. Seat frame is rigid urethane with polyurethane foam. Cushion is high density foam.

#### Notes

Customer's Own Material (COM) requires 3½ yards. Customer's Own Leather (COL) requires 63 square feet. See Order Information in Appendices.

### Dimensions



### Specification Information

#### Step 1.

**SBN5**  A

#### Step 2. Back Height

**H** high back  A

#### Prices for Steps 1-2.

**SBN5H** \$2700

#### Step 3. Upholstery

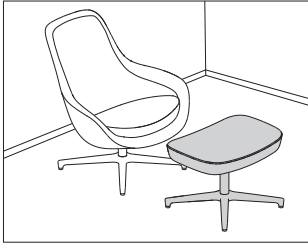
Price Category (Geiger) COL <input type="checkbox"/> A	+\$189
Price Category (Geiger) COM <input type="checkbox"/> A	+\$0
Price Category 1	+\$0
Price Category 2	+\$0
Price Category (Geiger) 3	+\$207
Price Category (Geiger) 4	+\$252
Price Category (Geiger) 5	+\$368
Price Category 5	+\$368
Price Category (Geiger) 7	+\$599
Price Category 9	+\$1138
Price Category (Geiger) 10	+\$1309
Price Category (Geiger) 11	+\$1467
Price Category 11	+\$1467
Price Category (Geiger) H	+\$606

#### Step 4. Base Finish

<b>BK</b> black <input type="checkbox"/> A	+\$0
<b>CD</b> polished aluminum <input type="checkbox"/> A	+\$0

#### Step 5. Fire Retardancy

<b>NOCAL</b> no cal-133 required <input type="checkbox"/> A	+\$0
<b>133</b> cal-133 required <input type="checkbox"/> A	+\$228



**Product Information**

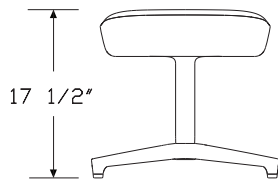
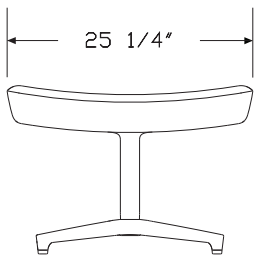
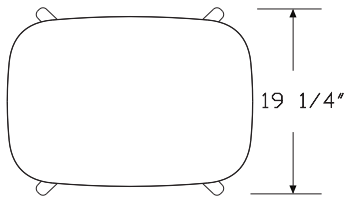
**Description**

This ottoman has upholstered high density foam and a 4-star base with glides.

**Notes**

Customer's Own Material (COM) requires 1 yard. Customer's Own Leather (COL) requires 18 square feet. See Order Information in Appendices.

**Dimensions**



**Specification Information**

**Step 1.**

**SBN6** [A] \$1075

**Step 2. Upholstery**

Price Category (Geiger) COL [A] +\$72  
 Price Category (Geiger) COM [A] +\$0  
 Price Category 1 +\$0  
 Price Category 2 +\$0  
 Price Category (Geiger) 3 +\$59  
 Price Category (Geiger) 4 +\$72  
 Price Category (Geiger) 5 +\$105  
 Price Category 5 +\$105  
 Price Category (Geiger) 7 +\$171  
 Price Category 9 +\$325  
 Price Category (Geiger) 10 +\$374  
 Price Category (Geiger) 11 +\$419  
 Price Category 11 +\$419  
 Price Category (Geiger) H +\$173

**Step 3. Base Finish**

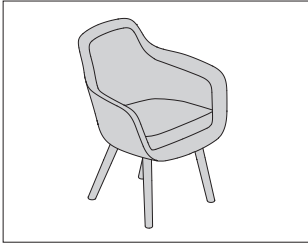
**BK** black [A] +\$0  
**CD** polished aluminum [A] +\$0

**Step 4. Fire Retardancy**

**NOCAL** no cal-133 required [A] +\$0  
**133** cal-133 required [A] +\$65

# Saiba Guest Chair

SBN7M



HermanMiller Collection—Lounge Seating

## Product Information

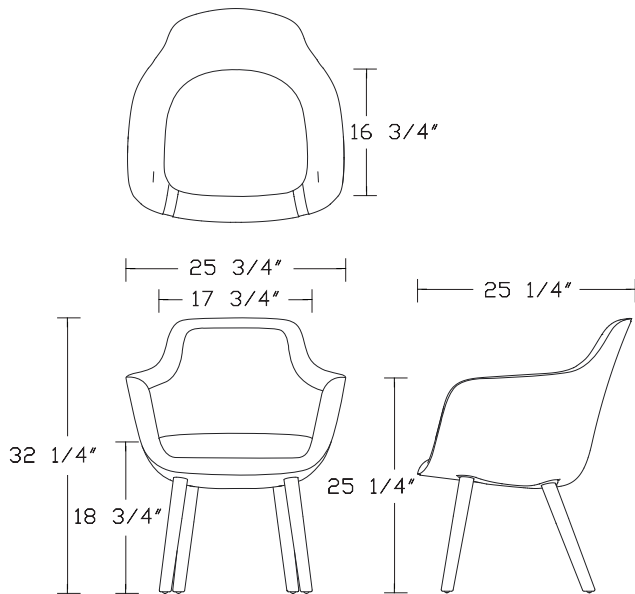
### Description

This guest chair has a solid wood base available in ash or walnut. Seat frame is rigid urethane with polyurethane foam. Cushion is high density foam.

### Notes

Customer's Own Material (COM) requires 2¾ yards. Customer's Own Leather (COL) requires 49½ square feet. See Order Information in Appendices.

### Dimensions



## Specification Information

### Step 1.

**SBN7**

### Step 2. Back Height

**M** mid back

### Prices for Steps 1-2.

**SBN7M** \$1725

### Step 3. Upholstery

Price Category (Geiger) COL <input type="checkbox"/>	+\$149
Price Category (Geiger) COM <input type="checkbox"/>	+\$0
Price Category 1	+\$0
Price Category (Geiger) 3	+\$162
Price Category (Geiger) 4	+\$198
Price Category (Geiger) 5	+\$289
Price Category 5	+\$289
Price Category (Geiger) 7	+\$470
Price Category 9	+\$894
Price Category (Geiger) 10	+\$1029
Price Category (Geiger) 11	+\$1152
Price Category 11	+\$1152
Price Category (Geiger) H	+\$476

### Step 4. Frame

<b>A</b> ash <input type="checkbox"/>	+\$0
<b>W</b> walnut <input type="checkbox"/>	+\$0

### Step 5. Wood Finish

#### Low Sheen Finishes (on Ash)

#### For ash (A)

<b>967</b> smoked paldao, low sheen <input type="checkbox"/>	+\$0
<b>969</b> warm paldao, low sheen <input type="checkbox"/>	+\$0

Low Sheen Finishes (on Ash)		
<i>For ash (A)</i>		
<b>G2U</b>	light brown walnut, low sheen <span style="border: 1px solid black; padding: 0 2px;">A</span>	+\$0
<b>G40</b>	dark brown walnut, low sheen <span style="border: 1px solid black; padding: 0 2px;">A</span>	+\$0
<b>940</b>	sundance cherry on maple <span style="border: 1px solid black; padding: 0 2px;">A</span>	+\$0
<b>943</b>	caramel cherry <span style="border: 1px solid black; padding: 0 2px;">A</span>	+\$0
<b>946</b>	cocoa cherry <span style="border: 1px solid black; padding: 0 2px;">A</span>	+\$0
<b>956</b>	cocoa sapele <span style="border: 1px solid black; padding: 0 2px;">A</span>	+\$0
<b>962</b>	toasted walnut, low sheen <span style="border: 1px solid black; padding: 0 2px;">A</span>	+\$0
<b>963</b>	charred walnut, low sheen <span style="border: 1px solid black; padding: 0 2px;">A</span>	+\$0
<b>964</b>	bronzed walnut, low sheen <span style="border: 1px solid black; padding: 0 2px;">A</span>	+\$0
<b>965</b>	smoked walnut, low sheen <span style="border: 1px solid black; padding: 0 2px;">A</span>	+\$0
<b>966</b>	coffee walnut, low sheen <span style="border: 1px solid black; padding: 0 2px;">A</span>	+\$0
<b>977</b>	chocolate ash, low sheen <span style="border: 1px solid black; padding: 0 2px;">A</span>	+\$0
<b>98R</b>	recograin rosewood <span style="border: 1px solid black; padding: 0 2px;">A</span>	+\$0
<b>991</b>	champagne ash <span style="border: 1px solid black; padding: 0 2px;">A</span>	+\$0
<b>998</b>	ebony ash <span style="border: 1px solid black; padding: 0 2px;">A</span>	+\$0
<b>99A</b>	recograin frosty ash <span style="border: 1px solid black; padding: 0 2px;">A</span>	+\$0
<b>99R</b>	recograin rosewood <span style="border: 1px solid black; padding: 0 2px;">A</span>	+\$0
<b>99T</b>	recograin teak <span style="border: 1px solid black; padding: 0 2px;">A</span>	+\$0
<b>9A1</b>	white ash, quarter cut, low sheen <span style="border: 1px solid black; padding: 0 2px;">A</span>	+\$0
<b>9K1</b>	rift oak, rift cut, low sheen <span style="border: 1px solid black; padding: 0 2px;">A</span>	+\$0
<b>9K6</b>	burnt oak, rift cut, low sheen <span style="border: 1px solid black; padding: 0 2px;">A</span>	+\$0
<b>ED</b>	aged cherry <span style="border: 1px solid black; padding: 0 2px;">A</span>	+\$0
<b>EK</b>	medium red walnut <span style="border: 1px solid black; padding: 0 2px;">A</span>	+\$0
<b>UX</b>	walnut on cherry <span style="border: 1px solid black; padding: 0 2px;">A</span>	+\$0

Matte Sheen Finishes (on Ash)		
<i>For ash (A)</i>		
<b>66A</b>	recograin frosty ash <span style="border: 1px solid black; padding: 0 2px;">A</span>	+\$0
<b>677</b>	chocolate ash, matte sheen <span style="border: 1px solid black; padding: 0 2px;">A</span>	+\$0
<b>68R</b>	recograin rosewood <span style="border: 1px solid black; padding: 0 2px;">A</span>	+\$0
<b>69A</b>	recograin frosty ash <span style="border: 1px solid black; padding: 0 2px;">A</span>	+\$0
<b>69R</b>	recograin rosewood <span style="border: 1px solid black; padding: 0 2px;">A</span>	+\$0
<b>69T</b>	recograin teak <span style="border: 1px solid black; padding: 0 2px;">A</span>	+\$0
<b>6A1</b>	white ash <span style="border: 1px solid black; padding: 0 2px;">A</span>	+\$0
<b>6K1</b>	rift oak <span style="border: 1px solid black; padding: 0 2px;">A</span>	+\$0
<b>6K6</b>	burnt oak <span style="border: 1px solid black; padding: 0 2px;">A</span>	+\$0
<b>ET</b>	clear on ash <span style="border: 1px solid black; padding: 0 2px;">A</span>	+\$0
<b>EU</b>	oak on ash <span style="border: 1px solid black; padding: 0 2px;">A</span>	+\$0
<b>EV</b>	walnut on ash <span style="border: 1px solid black; padding: 0 2px;">A</span>	+\$0
<b>GOU</b>	natural walnut, flat cut, matte sheen <span style="border: 1px solid black; padding: 0 2px;">A</span>	+\$0

Matte Sheen Finishes (on Ash)		
<i>For ash (A)</i>		
<b>66G</b>	recograin wenge <span style="border: 1px solid black; padding: 0 2px;">A</span>	+\$0
<b>68W</b>	recograin walnut, flat cut, matte sheen <span style="border: 1px solid black; padding: 0 2px;">A</span>	+\$0
<b>69G</b>	recograin wenge <span style="border: 1px solid black; padding: 0 2px;">A</span>	+\$0
<b>69W</b>	recograin walnut, quarter cut, matte sheen <span style="border: 1px solid black; padding: 0 2px;">A</span>	+\$0

Low Sheen Finishes (on Ash)		
<i>For ash (A)</i>		
<b>98W</b>	recograin walnut, flat cut, low sheen <span style="border: 1px solid black; padding: 0 2px;">A</span>	+\$0
<b>99G</b>	recograin wenge, quarter cut, low sheen <span style="border: 1px solid black; padding: 0 2px;">A</span>	+\$0
<b>99W</b>	recograin walnut, quarter cut, low sheen <span style="border: 1px solid black; padding: 0 2px;">A</span>	+\$0

Low Sheen Finishes (on Walnut)		
<i>For walnut (W)</i>		
<b>967</b>	smoked paldao, low sheen <span style="border: 1px solid black; padding: 0 2px;">A</span>	+\$0
<b>969</b>	warm paldao, low sheen <span style="border: 1px solid black; padding: 0 2px;">A</span>	+\$0

Low Sheen Finishes (on Walnut)		
<i>For walnut (W)</i>		
<b>G2U</b>	light brown walnut, low sheen <span style="border: 1px solid black; padding: 0 2px;">A</span>	+\$0
<b>G40</b>	dark brown walnut, low sheen <span style="border: 1px solid black; padding: 0 2px;">A</span>	+\$0
<b>962</b>	toasted walnut, low sheen <span style="border: 1px solid black; padding: 0 2px;">A</span>	+\$0
<b>963</b>	charred walnut, low sheen <span style="border: 1px solid black; padding: 0 2px;">A</span>	+\$0
<b>964</b>	bronzed walnut, low sheen <span style="border: 1px solid black; padding: 0 2px;">A</span>	+\$0
<b>965</b>	smoked walnut, low sheen <span style="border: 1px solid black; padding: 0 2px;">A</span>	+\$0
<b>966</b>	coffee walnut, low sheen <span style="border: 1px solid black; padding: 0 2px;">A</span>	+\$0
<b>972</b>	sundance walnut <span style="border: 1px solid black; padding: 0 2px;">A</span>	+\$0
<b>98R</b>	recograin rosewood <span style="border: 1px solid black; padding: 0 2px;">A</span>	+\$0
<b>99R</b>	recograin rosewood <span style="border: 1px solid black; padding: 0 2px;">A</span>	+\$0
<b>EK</b>	medium red walnut <span style="border: 1px solid black; padding: 0 2px;">A</span>	+\$0

Matte Sheen Finishes (on Walnut)		
<i>For walnut (W)</i>		
<b>667</b>	smoked paldao, quarter cut, matte sheen <span style="border: 1px solid black; padding: 0 2px;">A</span>	+\$0
<b>669</b>	warm paldao, quarter cut, matte sheen <span style="border: 1px solid black; padding: 0 2px;">A</span>	+\$0
<b>662</b>	toasted walnut, matte sheen <span style="border: 1px solid black; padding: 0 2px;">A</span>	+\$0
<b>663</b>	charred walnut, matte sheen <span style="border: 1px solid black; padding: 0 2px;">A</span>	+\$0
<b>664</b>	bronzed walnut, matte sheen <span style="border: 1px solid black; padding: 0 2px;">A</span>	+\$0
<b>665</b>	smoked walnut, matte sheen <span style="border: 1px solid black; padding: 0 2px;">A</span>	+\$0
<b>666</b>	coffee walnut, matte sheen <span style="border: 1px solid black; padding: 0 2px;">A</span>	+\$0
<b>68R</b>	recograin rosewood <span style="border: 1px solid black; padding: 0 2px;">A</span>	+\$0
<b>69R</b>	recograin rosewood <span style="border: 1px solid black; padding: 0 2px;">A</span>	+\$0
<b>GOU</b>	natural walnut, flat cut, matte sheen <span style="border: 1px solid black; padding: 0 2px;">A</span>	+\$0

Saiba Guest Chair *continued*

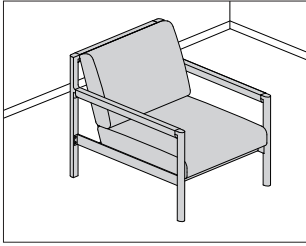
HermanMiller Collection—Lounge Seating

Matte Sheen Finishes (on Walnut)		
<i>For walnut (W)</i>		
<b>66G</b>	recograin wenge <input type="checkbox"/> A	+\$0
<b>69G</b>	recograin wenge <input type="checkbox"/> A	+\$0
Low Sheen Finishes (on Walnut)		
<i>For walnut (W)</i>		
<b>96G</b>	wenge recograin, quarter cut, low sheen <input type="checkbox"/> A	+\$0
<b>99G</b>	recograin wenge, quarter cut, low sheen <input type="checkbox"/> A	+\$0
Step 6. Fire Retardancy		
<b>133</b>	cal-133 required <input type="checkbox"/> A	+\$179
<b>NOCAL</b>	no cal-133 required <input type="checkbox"/> A	+\$0



# Brabo Lounge Chair

SVV4A  
SVV4W



## Product Information

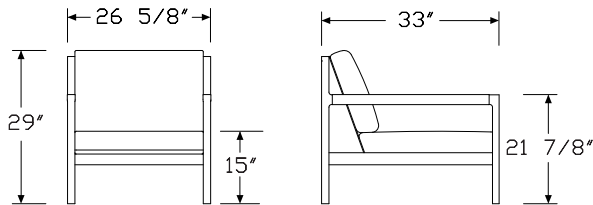
### Description

This lounge chair has a solid ash or solid walnut frame with steel-plated metal, leather sling and arm wrap, and upholstered foam cushions.

### Notes

Customers Own Material (COM) requires 2 yards for the back and seat cushions. Customers Own Leather (COL) requires 36 square feet for the back and seat cushions, and an additional 27 square feet for the sling and arm wrap. See Order Information in Appendices.

### Dimensions



## Specification Information

### Step 1.

**SVV4**

### Step 2. Frame Finish

**A** ash

**W** walnut

### Prices for Steps 1-2.

<b>SVV4A</b>	\$2621
<b>SVV4W</b>	\$3147

### Step 3. Wood Finish

#### Premium Veneer - Low Sheen

#### For ash (A)

<b>940</b>	sundance cherry on maple <input type="checkbox"/>	+\$0
<b>943</b>	caramel cherry <input type="checkbox"/>	+\$0
<b>946</b>	cocoa cherry <input type="checkbox"/>	+\$0
<b>956</b>	cocoa sapele <input type="checkbox"/>	+\$0
<b>962</b>	toasted walnut, low sheen <input type="checkbox"/>	+\$0
<b>963</b>	charred walnut, low sheen <input type="checkbox"/>	+\$0
<b>964</b>	bronzed walnut, low sheen <input type="checkbox"/>	+\$0
<b>965</b>	smoked walnut, low sheen <input type="checkbox"/>	+\$0
<b>966</b>	coffee walnut, low sheen <input type="checkbox"/>	+\$0
<b>977</b>	chocolate ash, low sheen <input type="checkbox"/>	+\$0
<b>98R</b>	recograin rosewood <input type="checkbox"/>	+\$0
<b>991</b>	champagne ash <input type="checkbox"/>	+\$0
<b>998</b>	ebony ash <input type="checkbox"/>	+\$0
<b>99A</b>	recograin frosty ash <input type="checkbox"/>	+\$0
<b>99R</b>	recograin rosewood <input type="checkbox"/>	+\$0
<b>99T</b>	recograin teak <input type="checkbox"/>	+\$0
<b>9A1</b>	white ash, quarter cut, low sheen <input type="checkbox"/>	+\$0
<b>9K1</b>	rift oak, rift cut, low sheen <input type="checkbox"/>	+\$0
<b>9K6</b>	burnt oak, rift cut, low sheen <input type="checkbox"/>	+\$0
<b>ED</b>	aged cherry <input type="checkbox"/>	+\$0
<b>EK</b>	medium red walnut <input type="checkbox"/>	+\$0
<b>G2U</b>	light brown walnut, low sheen <input type="checkbox"/>	+\$0
<b>G40</b>	dark brown walnut, low sheen <input type="checkbox"/>	+\$0
<b>UX</b>	walnut on cherry <input type="checkbox"/>	+\$0

# Brabo Lounge Chair *continued*

HermanMiller Collection—Lounge Seating

Premium Veneer - Matte		
<i>For ash (A)</i>		
<b>66A</b>	recograin frosty ash <span>A</span>	+\$0
<b>677</b>	chocolate ash, matte sheen <span>A</span>	+\$0
<b>68R</b>	recograin rosewood <span>A</span>	+\$0
<b>69A</b>	recograin frosty ash <span>A</span>	+\$0
<b>69R</b>	recograin rosewood <span>A</span>	+\$0
<b>69T</b>	recograin teak <span>A</span>	+\$0
<b>6A1</b>	white ash <span>A</span>	+\$0
<b>6K1</b>	rift oak <span>A</span>	+\$0
<b>6K6</b>	burnt oak <span>A</span>	+\$0
<b>ET</b>	clear on ash <span>A</span>	+\$0
<b>EU</b>	oak on ash <span>A</span>	+\$0
<b>EV</b>	walnut on ash <span>A</span>	+\$0
<b>GOU</b>	natural walnut, flat cut, matte sheen <span>A</span>	+\$0

Anigre Veneer - Low Sheen		
<i>For ash (A)</i>		
<b>967</b>	smoked paldao, low sheen <span>A</span>	+\$0
<b>969</b>	warm paldao, low sheen <span>A</span>	+\$0

RecoGrain Veneer		
<i>For ash (A)</i>		
<b>66G</b>	recograin wenge <span>A</span>	+\$0
<b>68W</b>	recograin walnut, flat cut, matte sheen <span>A</span>	+\$0
<b>69G</b>	recograin wenge, quarter cut, matte sheen <span>A</span>	+\$0
<b>69W</b>	recograin walnut, quarter cut, matte sheen <span>A</span>	+\$0

Recon Veneer -		
<i>For ash (A)</i>		
<b>98W</b>	recograin walnut, flat cut, low sheen <span>A</span>	+\$0
<b>99G</b>	recograin wenge, quarter cut, low sheen <span>A</span>	+\$0
<b>99W</b>	recograin walnut, quarter cut, low sheen <span>A</span>	+\$0

Premium Veneer - Low Sheen		
<i>For walnut (W)</i>		
<b>962</b>	toasted walnut, low sheen <span>A</span>	+\$0
<b>963</b>	charred walnut, low sheen <span>A</span>	+\$0
<b>964</b>	bronzed walnut, low sheen <span>A</span>	+\$0
<b>965</b>	smoked walnut, low sheen <span>A</span>	+\$0
<b>966</b>	coffee walnut, low sheen <span>A</span>	+\$0
<b>972</b>	sundance walnut <span>A</span>	+\$0
<b>98R</b>	recograin rosewood <span>A</span>	+\$0
<b>99R</b>	recograin rosewood <span>A</span>	+\$0
<b>EK</b>	medium red walnut <span>A</span>	+\$0
<b>G2U</b>	light brown walnut, low sheen <span>A</span>	+\$0
<b>G40</b>	dark brown walnut, low sheen <span>A</span>	+\$0

Premium Veneer - Matte		
<i>For walnut (W)</i>		
<b>662</b>	toasted walnut, matte sheen <span>A</span>	+\$0
<b>663</b>	charred walnut, matte sheen <span>A</span>	+\$0
<b>664</b>	bronzed walnut, matte sheen <span>A</span>	+\$0
<b>665</b>	smoked walnut, matte sheen <span>A</span>	+\$0
<b>666</b>	coffee walnut, matte sheen <span>A</span>	+\$0
<b>669</b>	warm paldao, quarter cut, matte sheen <span>A</span>	+\$0
<b>68R</b>	recograin rosewood <span>A</span>	+\$0
<b>69R</b>	recograin rosewood <span>A</span>	+\$0
<b>GOU</b>	natural walnut, flat cut, matte sheen <span>A</span>	+\$0

Anigre Veneer - Low Sheen		
<i>For walnut (W)</i>		
<b>967</b>	smoked paldao, low sheen <span>A</span>	+\$0
<b>969</b>	warm paldao, low sheen <span>A</span>	+\$0

RecoGrain Veneer		
<i>For walnut (W)</i>		
<b>66G</b>	recograin wenge <span>A</span>	+\$0
<b>69G</b>	recograin wenge <span>A</span>	+\$0

<i>For walnut (W)</i>		
<b>96G</b>	wenge recograin, quarter cut, low sheen <span>A</span>	+\$0
<b>99G</b>	recograin wenge, quarter cut, low sheen <span>A</span>	+\$0

Step 4. Seat/Back Fabric		
Price Category (Geiger) COL <span>A</span>		+\$108
Price Category (Geiger) COM <span>A</span>		+\$0
Price Category 1		+\$0
Price Category 2		+\$94
Price Category (Geiger) 3		+\$118
Price Category 3		+\$118
Price Category (Geiger) 4		+\$144
Price Category 4		+\$144
Price Category (Geiger) 5		+\$210
Price Category 5		+\$210
Price Category (Geiger) 6		+\$276
Price Category (Geiger) 7		+\$342
Price Category (Geiger) 8		+\$524
Price Category 9		+\$650
Price Category (Geiger) 10		+\$748
Price Category (Geiger) 11		+\$838
Price Category 11		+\$838
Price Category (Geiger) 14		+\$0
Price Category (Geiger) D		+\$140
Price Category (Geiger) E		+\$170

# Brabo Lounge Chair *continued*

Price Category (Geiger) F	+\$204
Price Category (Geiger) G	+\$278
Price Category (Geiger) H	+\$346
Price Category (Geiger) I	+\$418
Price Category (Geiger) J	+\$490
Price Category (Geiger) K	+\$562
Price Category (Geiger) L	+\$634
Price Category (Geiger) M	+\$706
Price Category (Geiger) N	+\$778
Price Category (Geiger) O	+\$850
Price Category (Geiger) P	+\$920
Price Category (Geiger) Q	+\$1062
Price Category (Geiger) R	+\$1480
Price Category (Geiger) S	+\$1590
Price Category (Geiger) T	+\$1700
Price Category (Geiger) U	+\$1810
Price Category (Geiger) X	+\$2140
Price Category (Geiger) Y	+\$2250

## Step 5. Sling/Arm Leather

Price Category (Geiger) 11	+\$629
Price Category 11	+\$629

## Step 6. Base Finish

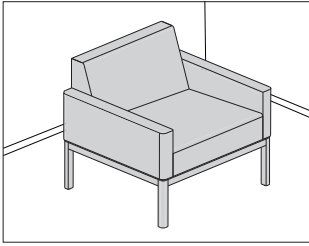
<b>BNZ</b> bronze <input type="checkbox"/>	+\$0
<b>CHR</b> chrome <input type="checkbox"/>	+\$0
<b>SAC</b> satin chrome <input type="checkbox"/>	+\$0

## Step 7. Fire Retardancy

<b>NOCAL</b> no cal-133 required <input type="checkbox"/>	+\$0
<b>133</b> cal-133 required <input type="checkbox"/>	+\$130

# Wood Base Club Chair

TT1AA  
TT1AW



HermanMiller Collection—Lounge Seating

## Product Information

### Description

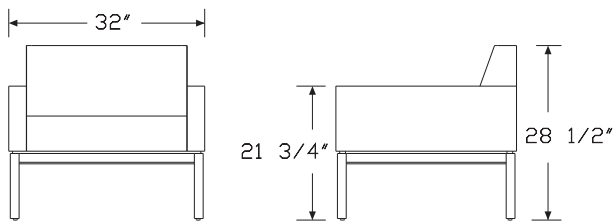
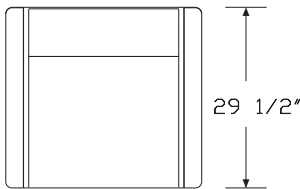
This club chair has a polyurethane foam and Dacron® seat with a solid wood base. Base comes in ash or walnut.

### Notes

Fire retardant chair meets CAL 133 requirements.

Customers Own Material (COM) requires 3¼ yards. Customers Own Leather (COL) requires 59 square feet. See Order Information in appendices.

## Dimensions



## Specification Information

### Step 1.

**TT1** A

### Step 2. Arms

**A** arms A

### Step 3. Wood Finish

**A** ash A

**W** walnut A

### Prices for Steps 1-3.

<b>TT1AA</b>	\$2495
<b>TT1AW</b>	\$2595

### Step 4. Upholstery

Price Category (Geiger) COL <span style="border: 1px solid black; padding: 0 2px;">A</span>	+\$234
Price Category (Geiger) COM <span style="border: 1px solid black; padding: 0 2px;">A</span>	+\$0
Price Category 1	+\$0
Price Category (Geiger) 2	+\$153
Price Category (Geiger) 3	+\$192
Price Category (Geiger) 4	+\$234
Price Category (Geiger) 5	+\$341
Price Category 5	+\$341
Price Category (Geiger) 6	+\$0
Price Category (Geiger) 7	+\$556
Price Category (Geiger) 8	+\$852
Price Category (Geiger) 10	+\$1216
Price Category (Geiger) 11	+\$1362
Price Category 11	+\$1362

### Step 5. Leg Finish

#### Low Sheen Finishes (on Ash)

#### For ash (A)

<b>967</b> smoked paldao, low sheen <span style="border: 1px solid black; padding: 0 2px;">A</span>	+\$0
<b>969</b> warm paldao, low sheen <span style="border: 1px solid black; padding: 0 2px;">A</span>	+\$0

# Wood Base Club Chair *continued*

## Low Sheen Finishes (on Ash)

*For ash (A)*

<b>G2U</b>	light brown walnut, low sheen <span style="border: 1px solid black; padding: 0 2px;">A</span>	+\$0
<b>G40</b>	dark brown walnut, low sheen <span style="border: 1px solid black; padding: 0 2px;">A</span>	+\$0
<b>940</b>	sundance cherry on maple <span style="border: 1px solid black; padding: 0 2px;">A</span>	+\$0
<b>943</b>	caramel cherry <span style="border: 1px solid black; padding: 0 2px;">A</span>	+\$0
<b>946</b>	cocoa cherry <span style="border: 1px solid black; padding: 0 2px;">A</span>	+\$0
<b>956</b>	cocoa sapele <span style="border: 1px solid black; padding: 0 2px;">A</span>	+\$0
<b>962</b>	toasted walnut, low sheen <span style="border: 1px solid black; padding: 0 2px;">A</span>	+\$0
<b>963</b>	charred walnut, low sheen <span style="border: 1px solid black; padding: 0 2px;">A</span>	+\$0
<b>964</b>	bronzed walnut, low sheen <span style="border: 1px solid black; padding: 0 2px;">A</span>	+\$0
<b>965</b>	smoked walnut, low sheen <span style="border: 1px solid black; padding: 0 2px;">A</span>	+\$0
<b>966</b>	coffee walnut, low sheen <span style="border: 1px solid black; padding: 0 2px;">A</span>	+\$0
<b>977</b>	chocolate ash, low sheen <span style="border: 1px solid black; padding: 0 2px;">A</span>	+\$0
<b>98R</b>	recograin rosewood <span style="border: 1px solid black; padding: 0 2px;">A</span>	+\$0
<b>991</b>	champagne ash <span style="border: 1px solid black; padding: 0 2px;">A</span>	+\$0
<b>998</b>	ebony ash <span style="border: 1px solid black; padding: 0 2px;">A</span>	+\$0
<b>99A</b>	recograin frosty ash <span style="border: 1px solid black; padding: 0 2px;">A</span>	+\$0
<b>99R</b>	recograin rosewood <span style="border: 1px solid black; padding: 0 2px;">A</span>	+\$0
<b>99T</b>	recograin teak <span style="border: 1px solid black; padding: 0 2px;">A</span>	+\$0
<b>9A1</b>	white ash, quarter cut, low sheen <span style="border: 1px solid black; padding: 0 2px;">A</span>	+\$0
<b>9K1</b>	rift oak, rift cut, low sheen <span style="border: 1px solid black; padding: 0 2px;">A</span>	+\$0
<b>9K6</b>	burnt oak, rift cut, low sheen <span style="border: 1px solid black; padding: 0 2px;">A</span>	+\$0
<b>ED</b>	aged cherry <span style="border: 1px solid black; padding: 0 2px;">A</span>	+\$0
<b>EK</b>	medium red walnut <span style="border: 1px solid black; padding: 0 2px;">A</span>	+\$0
<b>UX</b>	walnut on cherry <span style="border: 1px solid black; padding: 0 2px;">A</span>	+\$0

## Matte Sheen Finishes (on Ash)

*For ash (A)*

<b>66A</b>	recograin frosty ash <span style="border: 1px solid black; padding: 0 2px;">A</span>	+\$0
<b>677</b>	chocolate ash, matte sheen <span style="border: 1px solid black; padding: 0 2px;">A</span>	+\$0
<b>68R</b>	recograin rosewood <span style="border: 1px solid black; padding: 0 2px;">A</span>	+\$0
<b>69A</b>	recograin frosty ash <span style="border: 1px solid black; padding: 0 2px;">A</span>	+\$0
<b>69R</b>	recograin rosewood <span style="border: 1px solid black; padding: 0 2px;">A</span>	+\$0
<b>69T</b>	recograin teak <span style="border: 1px solid black; padding: 0 2px;">A</span>	+\$0
<b>6A1</b>	white ash <span style="border: 1px solid black; padding: 0 2px;">A</span>	+\$0
<b>6K1</b>	rift oak <span style="border: 1px solid black; padding: 0 2px;">A</span>	+\$0
<b>6K6</b>	burnt oak <span style="border: 1px solid black; padding: 0 2px;">A</span>	+\$0
<b>ET</b>	clear on ash <span style="border: 1px solid black; padding: 0 2px;">A</span>	+\$0
<b>EU</b>	oak on ash <span style="border: 1px solid black; padding: 0 2px;">A</span>	+\$0
<b>EV</b>	walnut on ash <span style="border: 1px solid black; padding: 0 2px;">A</span>	+\$0
<b>GOU</b>	natural walnut, flat cut, matte sheen <span style="border: 1px solid black; padding: 0 2px;">A</span>	+\$0

## Matte Sheen Finishes (on Ash)

*For ash (A)*

<b>66G</b>	recograin wenge <span style="border: 1px solid black; padding: 0 2px;">A</span>	+\$0
<b>68W</b>	recograin walnut, flat cut, matte sheen <span style="border: 1px solid black; padding: 0 2px;">A</span>	+\$0
<b>69G</b>	recograin wenge <span style="border: 1px solid black; padding: 0 2px;">A</span>	+\$0
<b>69W</b>	recograin walnut, quarter cut, matte sheen <span style="border: 1px solid black; padding: 0 2px;">A</span>	+\$0

## Low Sheen Finishes (on Ash)

*For ash (A)*

<b>98W</b>	recograin walnut, flat cut, low sheen <span style="border: 1px solid black; padding: 0 2px;">A</span>	+\$0
<b>99G</b>	recograin wenge, quarter cut, low sheen <span style="border: 1px solid black; padding: 0 2px;">A</span>	+\$0
<b>99W</b>	recograin walnut, quarter cut, low sheen <span style="border: 1px solid black; padding: 0 2px;">A</span>	+\$0

## Low Sheen Finishes (on Walnut)

*For walnut (W)*

<b>967</b>	smoked paldao, low sheen <span style="border: 1px solid black; padding: 0 2px;">A</span>	+\$0
<b>969</b>	warm paldao, low sheen <span style="border: 1px solid black; padding: 0 2px;">A</span>	+\$0

## Low Sheen Finishes (on Walnut)

*For walnut (W)*

<b>962</b>	toasted walnut, low sheen <span style="border: 1px solid black; padding: 0 2px;">A</span>	+\$0
<b>963</b>	charred walnut, low sheen <span style="border: 1px solid black; padding: 0 2px;">A</span>	+\$0
<b>964</b>	bronzed walnut, low sheen <span style="border: 1px solid black; padding: 0 2px;">A</span>	+\$0
<b>965</b>	smoked walnut, low sheen <span style="border: 1px solid black; padding: 0 2px;">A</span>	+\$0
<b>966</b>	coffee walnut, low sheen <span style="border: 1px solid black; padding: 0 2px;">A</span>	+\$0
<b>972</b>	sundance walnut <span style="border: 1px solid black; padding: 0 2px;">A</span>	+\$0
<b>98R</b>	recograin rosewood <span style="border: 1px solid black; padding: 0 2px;">A</span>	+\$0
<b>99R</b>	recograin rosewood <span style="border: 1px solid black; padding: 0 2px;">A</span>	+\$0
<b>EK</b>	medium red walnut <span style="border: 1px solid black; padding: 0 2px;">A</span>	+\$0
<b>G2U</b>	light brown walnut, low sheen <span style="border: 1px solid black; padding: 0 2px;">A</span>	+\$0
<b>G40</b>	dark brown walnut, low sheen <span style="border: 1px solid black; padding: 0 2px;">A</span>	+\$0

## Low Sheen Finishes (on Walnut)

*For walnut (W)*

<b>96G</b>	wenge recograin, quarter cut, low sheen <span style="border: 1px solid black; padding: 0 2px;">A</span>	+\$0
<b>99G</b>	recograin wenge, quarter cut, low sheen <span style="border: 1px solid black; padding: 0 2px;">A</span>	+\$0

Wood Base Club Chair *continued*

HermanMiller Collection—Lounge Seating

---

Matte Sheen Finishes (on Walnut)

*For walnut (W)*

---

<b>662</b>	toasted walnut, matte sheen <input type="checkbox"/> A	+\$0
<b>663</b>	charred walnut, matte sheen <input type="checkbox"/> A	+\$0
<b>664</b>	bronzed walnut, matte sheen <input type="checkbox"/> A	+\$0
<b>665</b>	smoked walnut, matte sheen <input type="checkbox"/> A	+\$0
<b>666</b>	coffee walnut, matte sheen <input type="checkbox"/> A	+\$0
<b>667</b>	smoked paldao, quarter cut, matte sheen <input type="checkbox"/> A	+\$0
<b>669</b>	warm paldao, quarter cut, matte sheen <input type="checkbox"/> A	+\$0
<b>68R</b>	recograin rosewood <input type="checkbox"/> A	+\$0
<b>69R</b>	recograin rosewood <input type="checkbox"/> A	+\$0
<b>GOU</b>	natural walnut, flat cut, matte sheen <input type="checkbox"/> A	+\$0

---

Matte Sheen Finishes (on Walnut)

*For walnut (W)*

---

<b>66G</b>	recograin wenge <input type="checkbox"/> A	+\$0
<b>69G</b>	recograin wenge <input type="checkbox"/> A	+\$0

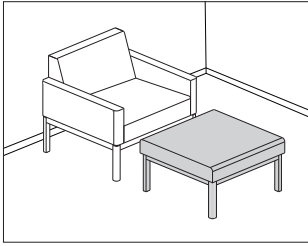
---

Step 6. Fire Retardancy

<b>133</b>	cal-133 required <input type="checkbox"/> A	+\$176
<b>NOCAL</b>	no cal-133 required <input type="checkbox"/> A	+\$0

# Wood Base Ottoman

TT1BA  
TT1BW



### Product Information

#### Description

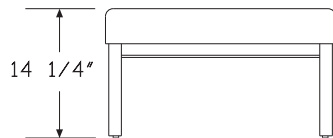
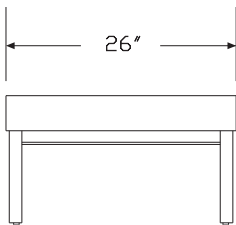
This 14 1/4" high ottoman has a polyurethane foam and Dacron® seat with a solid wood base. Base comes in ash or walnut.

#### Notes

Fire retardant ottoman meets CAL 133 requirements.

Customers Own Material (COM) requires 1 1/2 yards. Customers Own Leather (COL) requires 35 square feet. See Order Information in appendices.

#### Dimensions



### Specification Information

#### Step 1.

**TT1B**

#### Step 2. Wood Finish

**A** ash

**W** walnut

#### Prices for Steps 1-2.

<b>TT1BA</b>	\$1295
<b>TT1BW</b>	\$1395

#### Step 3. Upholstery

Price Category (Geiger) COL <input type="checkbox"/>	+\$108
Price Category (Geiger) COM <input type="checkbox"/>	+\$0
Price Category 1	+\$0
Price Category (Geiger) 2	+\$71
Price Category (Geiger) 3	+\$89
Price Category (Geiger) 4	+\$108
Price Category (Geiger) 5	+\$158
Price Category 5	+\$158
Price Category (Geiger) 6	+\$0
Price Category (Geiger) 7	+\$257
Price Category (Geiger) 8	+\$393
Price Category (Geiger) 10	+\$561
Price Category (Geiger) 11	+\$629
Price Category 11	+\$629

#### Step 4. Leg Finish

#### Low Sheen Finishes (on Ash)

#### For ash (A)

<b>967</b> smoked paldao, low sheen <input type="checkbox"/>	+\$0
<b>969</b> warm paldao, low sheen <input type="checkbox"/>	+\$0

Low Sheen Finishes (on Ash)		
<i>For ash (A)</i>		
<b>940</b>	sundance cherry on maple <input type="checkbox"/>	+\$0
<b>943</b>	caramel cherry <input type="checkbox"/>	+\$0
<b>946</b>	cocoa cherry <input type="checkbox"/>	+\$0
<b>956</b>	cocoa sapele <input type="checkbox"/>	+\$0
<b>962</b>	toasted walnut, low sheen <input type="checkbox"/>	+\$0
<b>963</b>	charred walnut, low sheen <input type="checkbox"/>	+\$0
<b>964</b>	bronzed walnut, low sheen <input type="checkbox"/>	+\$0
<b>965</b>	smoked walnut, low sheen <input type="checkbox"/>	+\$0
<b>966</b>	coffee walnut, low sheen <input type="checkbox"/>	+\$0
<b>977</b>	chocolate ash, low sheen <input type="checkbox"/>	+\$0
<b>98R</b>	recograin rosewood <input type="checkbox"/>	+\$0
<b>991</b>	champagne ash <input type="checkbox"/>	+\$0
<b>998</b>	ebony ash <input type="checkbox"/>	+\$0
<b>99A</b>	recograin frosty ash <input type="checkbox"/>	+\$0
<b>99R</b>	recograin rosewood <input type="checkbox"/>	+\$0
<b>99T</b>	recograin teak <input type="checkbox"/>	+\$0
<b>9A1</b>	white ash, quarter cut, low sheen <input type="checkbox"/>	+\$0
<b>9K1</b>	rift oak, rift cut, low sheen <input type="checkbox"/>	+\$0
<b>9K6</b>	burnt oak, rift cut, low sheen <input type="checkbox"/>	+\$0
<b>ED</b>	aged cherry <input type="checkbox"/>	+\$0
<b>EK</b>	medium red walnut <input type="checkbox"/>	+\$0
<b>G2U</b>	light brown walnut, low sheen <input type="checkbox"/>	+\$0
<b>G40</b>	dark brown walnut, low sheen <input type="checkbox"/>	+\$0
<b>UX</b>	walnut on cherry <input type="checkbox"/>	+\$0

Low Sheen Finishes (on Ash)		
<i>For ash (A)</i>		
<b>98W</b>	recograin walnut, flat cut, low sheen <input type="checkbox"/>	+\$0
<b>99G</b>	recograin wenge, quarter cut, low sheen <input type="checkbox"/>	+\$0
<b>99W</b>	recograin walnut, quarter cut, low sheen <input type="checkbox"/>	+\$0

Matte Sheen Finishes (on Ash)		
<i>For ash (A)</i>		
<b>66A</b>	frosty ash recograin, quarter cut, matte sheen <input type="checkbox"/>	+\$0
<b>677</b>	chocolate ash, matte sheen <input type="checkbox"/>	+\$0
<b>68R</b>	recograin rosewood <input type="checkbox"/>	+\$0
<b>69A</b>	recograin frosty ash <input type="checkbox"/>	+\$0
<b>69R</b>	recograin rosewood <input type="checkbox"/>	+\$0
<b>69T</b>	recograin teak <input type="checkbox"/>	+\$0
<b>6A1</b>	white ash <input type="checkbox"/>	+\$0
<b>6K1</b>	rift oak <input type="checkbox"/>	+\$0
<b>6K6</b>	burnt oak <input type="checkbox"/>	+\$0
<b>ET</b>	clear on ash <input type="checkbox"/>	+\$0
<b>EU</b>	oak on ash <input type="checkbox"/>	+\$0
<b>EV</b>	walnut on ash <input type="checkbox"/>	+\$0
<b>GOU</b>	natural walnut, flat cut, matte sheen <input type="checkbox"/>	+\$0

Matte Sheen Finishes (on Ash)		
<i>For ash (A)</i>		
<b>66G</b>	recograin wenge <input type="checkbox"/>	+\$0
<b>68W</b>	recograin walnut, flat cut, matte sheen <input type="checkbox"/>	+\$0
<b>69G</b>	recograin wenge <input type="checkbox"/>	+\$0
<b>69W</b>	recograin walnut, quarter cut, matte sheen <input type="checkbox"/>	+\$0

Low Sheen Finishes (on Walnut)		
<i>For walnut (W)</i>		
<b>967</b>	smoked paldao, low sheen <input type="checkbox"/>	+\$0
<b>969</b>	warm paldao, low sheen <input type="checkbox"/>	+\$0

Low Sheen Finishes (on Walnut)		
<i>For walnut (W)</i>		
<b>962</b>	toasted walnut, low sheen <input type="checkbox"/>	+\$0
<b>963</b>	charred walnut, low sheen <input type="checkbox"/>	+\$0
<b>964</b>	bronzed walnut, low sheen <input type="checkbox"/>	+\$0
<b>965</b>	smoked walnut, low sheen <input type="checkbox"/>	+\$0
<b>966</b>	coffee walnut, low sheen <input type="checkbox"/>	+\$0
<b>972</b>	sundance walnut <input type="checkbox"/>	+\$0
<b>98R</b>	recograin rosewood <input type="checkbox"/>	+\$0
<b>99R</b>	recograin rosewood <input type="checkbox"/>	+\$0
<b>EK</b>	medium red walnut <input type="checkbox"/>	+\$0
<b>G2U</b>	light brown walnut, low sheen <input type="checkbox"/>	+\$0
<b>G40</b>	dark brown walnut, low sheen <input type="checkbox"/>	+\$0

Low Sheen Finishes (on Walnut)		
<i>For walnut (W)</i>		
<b>96G</b>	wenge recograin, quarter cut, low sheen <input type="checkbox"/>	+\$0
<b>99G</b>	recograin wenge, quarter cut, low sheen <input type="checkbox"/>	+\$0



## Wood Base Ottoman *continued*

---

### Matte Sheen Finishes (on Walnut)

#### *For walnut (W)*

<b>662</b>	toasted walnut, matte sheen <input type="checkbox"/> A	+\$0
<b>663</b>	charred walnut, matte sheen <input type="checkbox"/> A	+\$0
<b>664</b>	bronzed walnut, matte sheen <input type="checkbox"/> A	+\$0
<b>665</b>	smoked walnut, matte sheen <input type="checkbox"/> A	+\$0
<b>666</b>	coffee walnut, matte sheen <input type="checkbox"/> A	+\$0
<b>667</b>	smoked paldao, quarter cut, matte sheen <input type="checkbox"/> A	+\$0
<b>669</b>	warm paldao, quarter cut, matte sheen <input type="checkbox"/> A	+\$0
<b>68R</b>	recograin rosewood <input type="checkbox"/> A	+\$0
<b>69R</b>	recograin rosewood <input type="checkbox"/> A	+\$0
<b>GOU</b>	natural walnut, flat cut, matte sheen <input type="checkbox"/> A	+\$0

---

### Matte Sheen Finishes (on Walnut)

#### *For walnut (W)*

<b>66G</b>	recograin wenge <input type="checkbox"/> A	+\$0
<b>69G</b>	recograin wenge <input type="checkbox"/> A	+\$0

---

### Step 5. Fire Retardancy

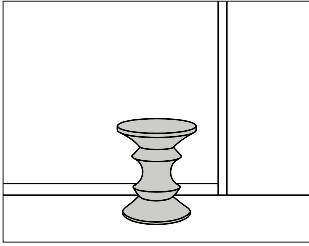
<b>133</b>	cal-133 required <input type="checkbox"/> A	+\$98
<b>NOCAL</b>	no cal-133 required <input type="checkbox"/> A	+\$0

# Eames® Walnut Stool

411

412

413

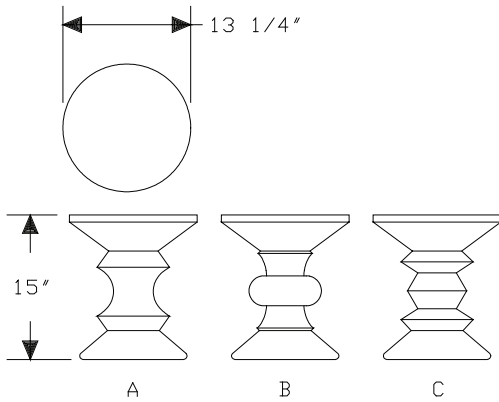


## Product Information

### Description

This solid walnut stool is available with 3 base shapes.

### Dimensions



## Specification Information

### Step 1.

41  A

### Step 2. Shape

1 a shape  A

2 b shape  A

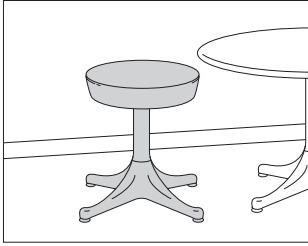
3 c shape  A

### Prices for Steps 1-2.

411	\$1089
412	\$1089
413	\$1089

Nelson™ Pedestal Stool

PS16



**Product Information**

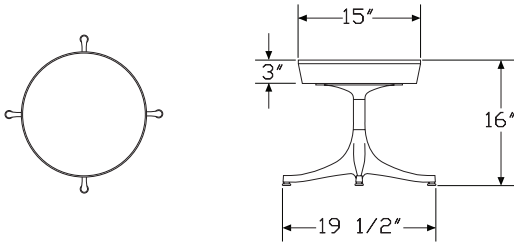
**Description**

This 16"-high stool has a 4-star, aluminum base with adjustable glides and a 3"-thick upholstered foam seat.

**Notes**

Customers Own Material (COM) requires 1 yard.

**Dimensions**



**Specification Information**

**Step 1.**

**PS16** [A] \$885

**Step 2. Base Finish**

<b>91</b>	white [A]	+\$0
<b>98</b>	studio white [A]	+\$0
<b>BK</b>	black [A]	+\$0
<b>L</b>	polished aluminum [A]	+\$0

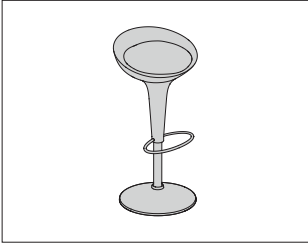
**Step 3. Fabric**

Price Category 1	+\$0
Price Category 2	+\$29
Price Category 3	+\$55
Price Category (Geiger) 3	+\$55
Price Category 4	+\$83
Price Category (Geiger) 4	+\$83
Price Category 5	+\$129
Price Category (Geiger) 5	+\$98
Price Category 6	+\$0
Price Category (Geiger) 6	+\$108
Price Category 7	+\$175
Price Category (Geiger) 7	+\$175
Price Category (Geiger) 9	+\$200
Price Category (Geiger) 10	+\$190
Price Category 11	+\$332
Price Category D	+\$59
Price Category E	+\$71
Price Category F	+\$92
Price Category G	+\$119
Price Category H	+\$145
Price Category I	+\$170
Price Category J	+\$196
Price Category K	+\$221
Price Category L	+\$247
Price Category M	+\$272
Price Category N	+\$298
Price Category Q	+\$375
Price Category X	+\$968
Price Category Y	+\$1019

HermanMiller Collection—Stools

# Al Bombo® Stool

MGB20.

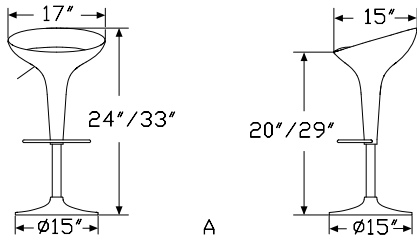


### Product Information

**Description**  
This swivel bar stool has an adjustable height with gas piston. The base, frame, footrest and handle are stainless steel. The seat is polished die-cast aluminum.

**Notes**  
Stool is flame retardant.

### Dimensions



### Specification Information

Step 1.

**MGB20.** [A]

Step 2. Height Adjustment

**A** adjustable height [A]

Prices for Steps 1-2.

**MGB20.A** \$1559

HermanMiller Collection-Stools

Al Bombo® Kit

MGB90.

**Product Information**

Description

This care kit is recommended to maintain brilliance of aluminum, which is likely to dull overtime.

Notes

Care kit contains:

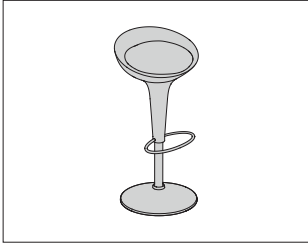
- 1 tube of abrasive paste (250 gr.)
- 1 tube of protection paste (250 gr.)
- 1 set of special cleaning paper

**Specification Information**

Step 1.

**MGB90.** A

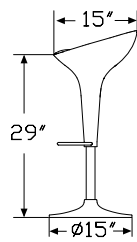
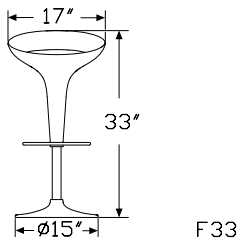
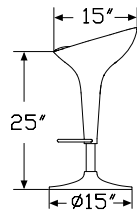
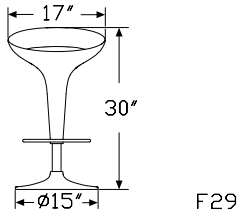
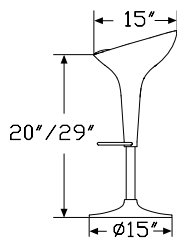
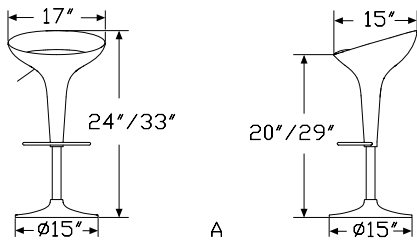
\$168



**Product Information**

**Description**  
 This swivel bar stool has an adjustable height with gas piston. The base is steel finished in chrome, and the seat is ABS.

**Dimensions**



**Specification Information**

**Step 1.**

**MGB21.** [A]

**Step 2. Height Adjustment**

**F33** fixed height, 33" high [A]

**F29** fixed height, 29" high [A]

**A** adjustable height [A]

**Prices for Steps 1-2.**

<b>MGB21.F33</b>	\$857
<b>F29</b>	\$857
<b>A</b>	\$896

**Step 3. Seat Finish**

*For fixed height, 33" high (F33) or fixed height, 29" high (F29)*

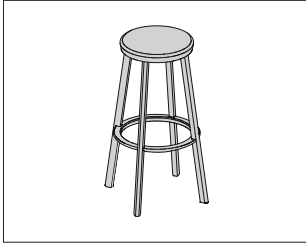
<b>YDM</b> grey anthracite [A]	+\$0
<b>YDW</b> white [A]	+\$0

*For adjustable height (A)*

<b>YDF</b> brown [A]	+\$0
<b>YDM</b> grey anthracite [A]	+\$0
<b>YDT</b> red [A]	+\$0
<b>YDW</b> white [A]	+\$0

# Deja-Vu Stool

MGD20.

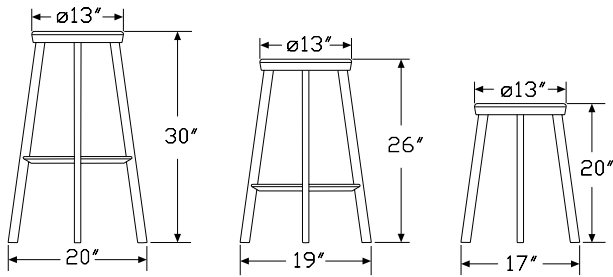


### Product Information

#### Description

This bar stool is available in a high, medium, and low height. The seat and leg finishes are available in black, white, and polished aluminum.

#### Dimensions



### Specification Information

#### Step 1.

**MGD20.**

#### Step 2. Height

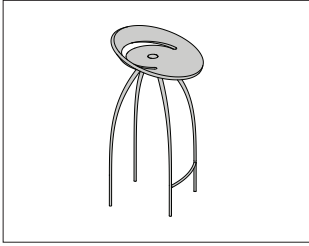
- L** low height
- M** medium height
- H** high height

#### Prices for Steps 1-2.

<b>MGD20.L</b>	\$389
<b>M</b>	\$511
<b>H</b>	\$533

#### Step 3. Seat/Leg Finish

		L	M	H
<b>YFB</b>	black <input type="checkbox"/>	+\$0	0	0
<b>YFD</b>	polished aluminum <input type="checkbox"/>	+\$101	102	92

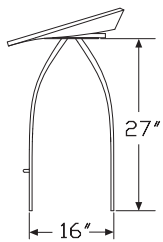
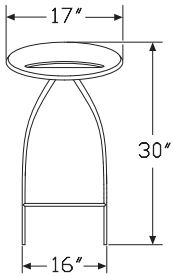
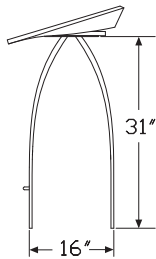
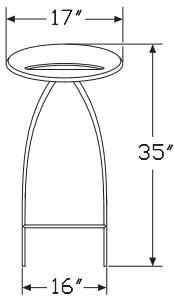


**Product Information**

**Description**

This stool comes in high and medium heights. The frame is a steel tube, available chromed. The seat is available in beech plywood. Package contains 2 chairs.

**Dimensions**



**Specification Information**

**Step 1.**

**MGL202.**  A

**Step 2. Stool Height**

**M** medium height

**H** high height

**Prices for Steps 1-2.**

<b>MGL202. M</b>	\$1316
<b>H</b>	\$1336

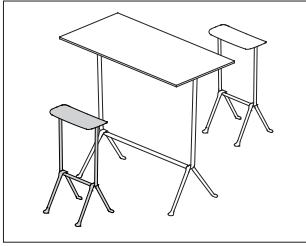
**Step 3. Frame Finish**

**YJG** chrome  A + \$0

**Step 4. Seat Finish**

**YJB** natural beech  A + \$0



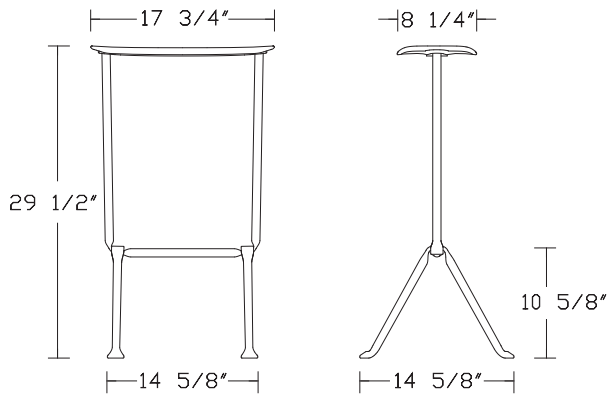


**Product Information**

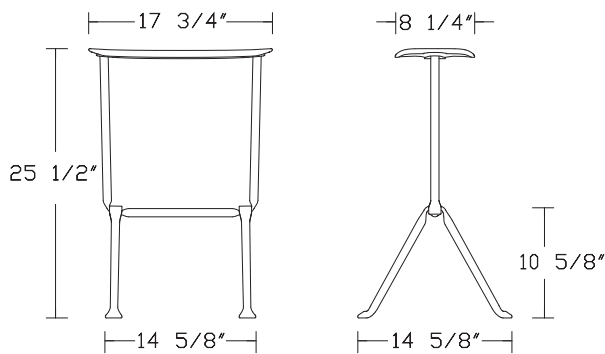
**Description**

This stool has a wrought iron frame available in a galvanized or painted black finish. It is available in high and medium heights. The seat is polypropylene, beech plywood, fabric or leather available in several colors. Stool sold individually. Ships assembled.

**Dimensions**



High height



Medium height

**Specification Information**

**Step 1.**

**SD207X**

**Step 2. Height**

**H** high height

**M** medium height

**Step 3. Seat**

**F** fabric upholstery

**L** leather upholstery

**P** polypropylene

**W** plywood

**Prices for Steps 1-3.**

	<b>F</b>	<b>L</b>	<b>P</b>	<b>W</b>
<b>SD207X H</b>	\$1089	1169	649	719
<b>M</b>	\$1069	1149	629	699

**Step 4. Frame Finish**

**GLV** galvanized  +\$0

**YCB** black  +\$0

**Step 5. Seat Finish**

*For polypropylene (P)*

**DKG** dark green  +\$0

**YCB** black  +\$0

**MTG** metallized grey  +\$0

*For leather upholstery (L)*

**YNL** natural  +\$0

**BLK** black  +\$0

*For plywood (W)*

**YNC** natural beech  +\$0

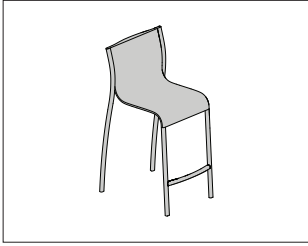
**YNM** black beech  +\$0

*For fabric upholstery (F)*

Price Category G +\$0

# Paso Doble Stool

MGP20.



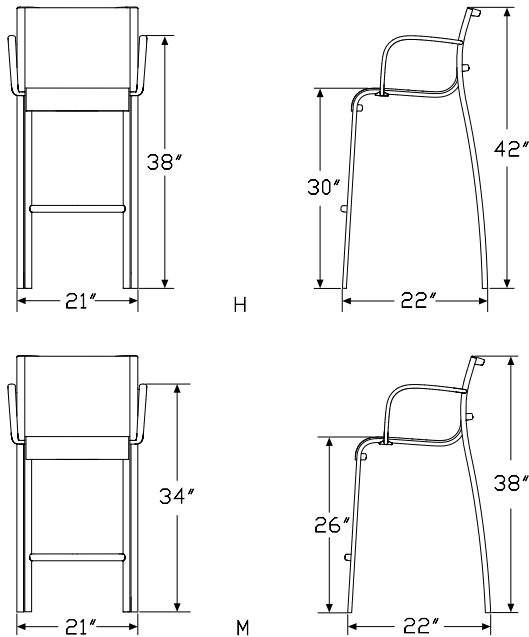
HermanMiller Collection—Stools

## Product Information

### Description

This stacking bar stool comes in high and medium height and is available with or without arms. The frame is aluminum, and the arms, crosspieces, and footrest are die-cast aluminum. Bar stools can stack up to 6 high. Package contains 2 bar stools.

### Dimensions



## Specification Information

### Step 1.

**MGP20.**  A

### Step 2. Height

**H** high height  A

**M** medium height  A

### Step 3. Arms

**N** no arms  A

**A** arms  A

### Prices for Steps 1-3.

	N	A
<b>MGP20.H</b>	\$1531	2028
<b>M</b>	\$1482	1966

### Step 4. Frame Finish

		HN	HA	MN	MA
<b>YKB</b> black <input type="checkbox"/> A		+\$0	0	0	0
<b>YKV</b> polished aluminum <input type="checkbox"/> A		+\$458	466	458	468

### Step 5. Seat Fabric

#### For black (YKB)

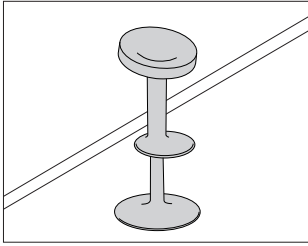
		HN	HA	MN	MA
<b>YKM</b> black polymer <input type="checkbox"/> A		+\$0	0	0	0
<b>YKC</b> black polyester-cotton <input type="checkbox"/> A		+\$40	40	30	40
<b>YKP</b> black leather <input type="checkbox"/> A		+\$1006	1086	1006	1098

#### For polished aluminum (YKV)

		HN	HA	MN	MA
<b>YKM</b> black polymer <input type="checkbox"/> A		+\$0	0	0	0
<b>YKC</b> black polyester-cotton <input type="checkbox"/> A		+\$40	40	40	50
<b>YKF</b> green polyester-cotton <input type="checkbox"/> A		+\$40	40	40	50
<b>YKG</b> orange polyester-cotton <input type="checkbox"/> A		+\$40	40	40	50
<b>YKH</b> purple polyester-cotton <input type="checkbox"/> A		+\$40	40	40	50
<b>YKR</b> white-black melange <input type="checkbox"/> A		+\$40	40	40	50
<b>YKD</b> black leather <input type="checkbox"/> A		+\$1046	1026	1036	1026

# S.S.S.S. Stool

MGL30.

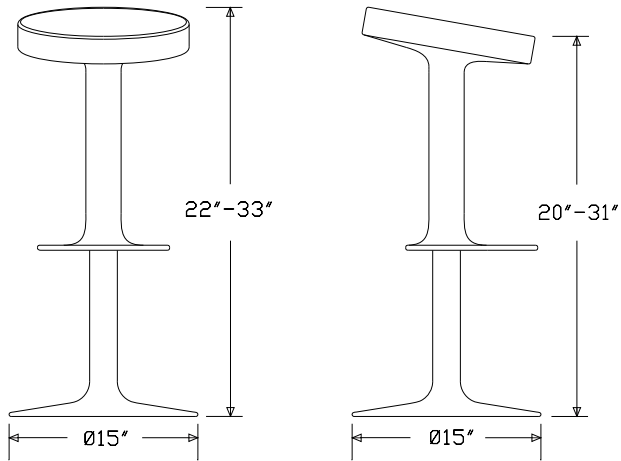


### Product Information

#### Description

This swivel bar stool is adjustable in height with pneumatic lift. Finish is stainless steel.

#### Dimensions



### Specification Information

#### Step 1.

**MGL30.**

#### Step 2. Finish

**S** stainless steel

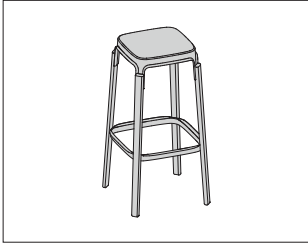
#### Prices for Steps 1-2.

**MGL30.S**

\$1842

# Steelwood Stool

MGS20.

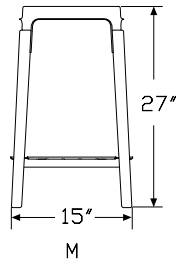
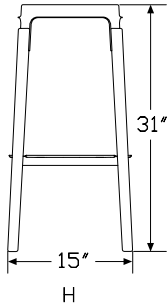
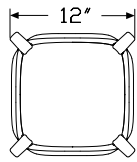
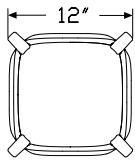


## Product Information

### Description

This bar stool is natural beech or oak and comes in high and medium height. The seat and footrest consist of steel plates painted in epoxy resin. The legs are solid beech or oak, available in natural or painted.

### Dimensions



HermanMiller Collection-Stools

## Specification Information

### Step 1.

**MGS20.**

### Step 2. Height

**M** medium height

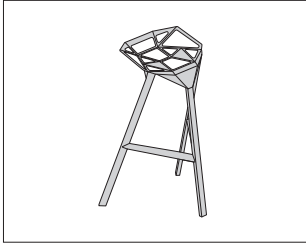
**H** high height

### Prices for Steps 1-2.

<b>MGS20.M</b>	\$540
<b>H</b>	\$563

### Step 3. Leg/Seat/Footrest Finish

<b>YHH</b>	grey anthracite <input type="checkbox"/> A	+\$0
<b>YMB</b>	black <input type="checkbox"/> A	+\$0
<b>YMD</b>	red <input type="checkbox"/> A	+\$0
<b>YMF</b>	white <input type="checkbox"/> A	+\$0
<b>YMK</b>	natural beech and black <input type="checkbox"/> A	+\$0
<b>YMP</b>	grey <input type="checkbox"/> A	+\$0
<b>YMM</b>	natural beech and white	+\$0
<b>YNP</b>	dark beech and black <input type="checkbox"/> A	+\$0
<b>YNQ</b>	natural oak and white <input type="checkbox"/> A	+\$80
<b>YNR</b>	natural oak and black <input type="checkbox"/> A	+\$80
<b>YNS</b>	natural oak and grey <input type="checkbox"/> A	+\$80
<b>YNT</b>	dark oak and grey anthracite <input type="checkbox"/> A	+\$80
<b>YWF</b>	walnut and black	+\$300



**Product Information**

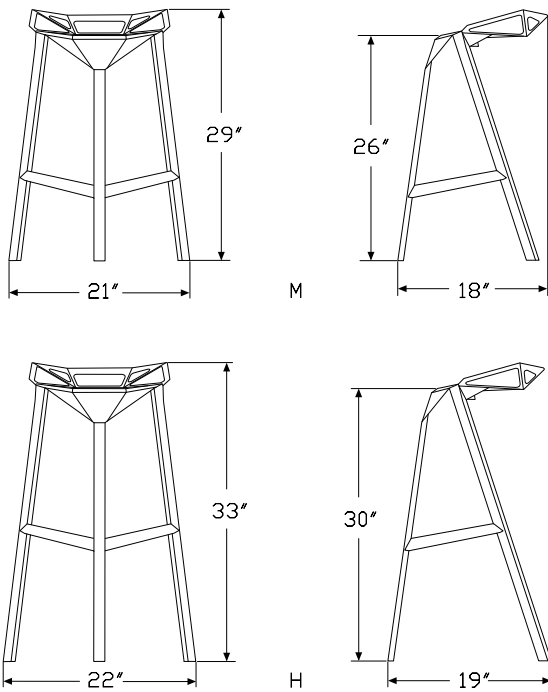
**Description**

This bar stool comes in a high and medium height. The seat and leg finishes available are painted aluminum, polished aluminum and anodised aluminum black. Bar stools can stack up to 4 high. Package contains 2 bar stools.

**Notes**

Stool is flame retardant.

**Dimensions**



**Specification Information**

**Step 1.**

**MGE20.**

**Step 2. Height**

- M** medium height
- H** high height

**Step 3. Seat/Leg Material**

- AM** painted aluminum
- AB** anodised aluminum black
- AL** polished aluminum

**Prices for Steps 1-3.**

	AM	AB	AL
<b>MGE20.M</b>	\$965	1017	1545
<b>H</b>	\$1028	1071	1609

**Step 4. Seat/Leg Finish**

*For painted aluminum (AM)*

<b>YHM</b>	red <input type="checkbox"/>		+\$0
<b>YHP</b>	white <input type="checkbox"/>		+\$0
<b>HAA</b>	ADAPTA grey		+\$240
<b>HAB</b>	ADAPTA white		+\$240
<b>HAC</b>	ADAPTA grey/green		+\$240
<b>HAD</b>	ADAPTA blue		+\$240

*For anodised aluminum black (AB)*

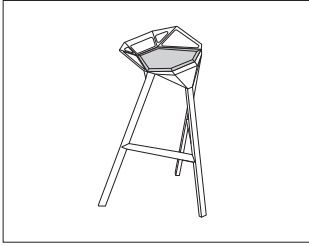
<b>YHB</b>	black <input type="checkbox"/>		+\$0
------------	--------------------------------	--	------

*For anodised aluminum black (AB)*

<b>YHB</b>	black		+\$0
------------	-------	--	------

Stool\_One Cushion

MGE91.

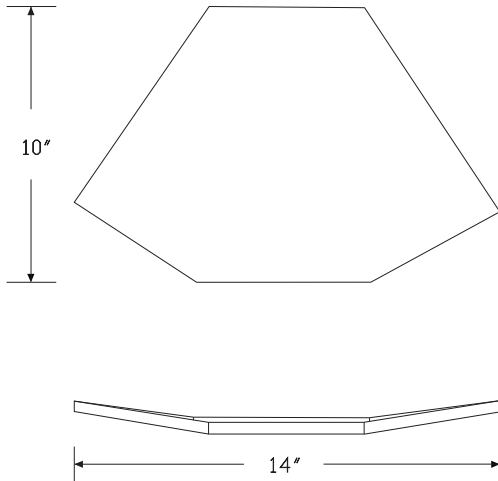


**Product Information**

Description

This cushion works on Stool\_One. Package contains 2 seat cushions.

Dimensions



HermanMiller Collection-Stools

**Specification Information**

Step 1.

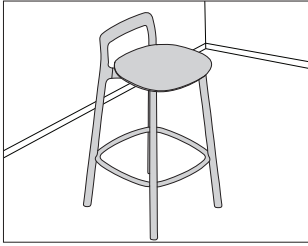
**MGE91.** [A] \$317

Step 2. Fabric

<b>YHF</b>	Gloss2 brown with dark brown trim [A]	+\$0
<b>YHG</b>	Tempo fuschia with red trim [A]	+\$0
<b>YHJ</b>	Gloss2 grey with black trim [A]	+\$0
<b>YHL</b>	Tempo orange with orange trim [A]	+\$0
<b>YHN</b>	Tempo sky blue with blue trim [A]	+\$0
<b>YHC</b>	black leather [A]	+\$257
<b>YHK</b>	natural leather [A]	+\$257

# Branca Stool

MGR20.

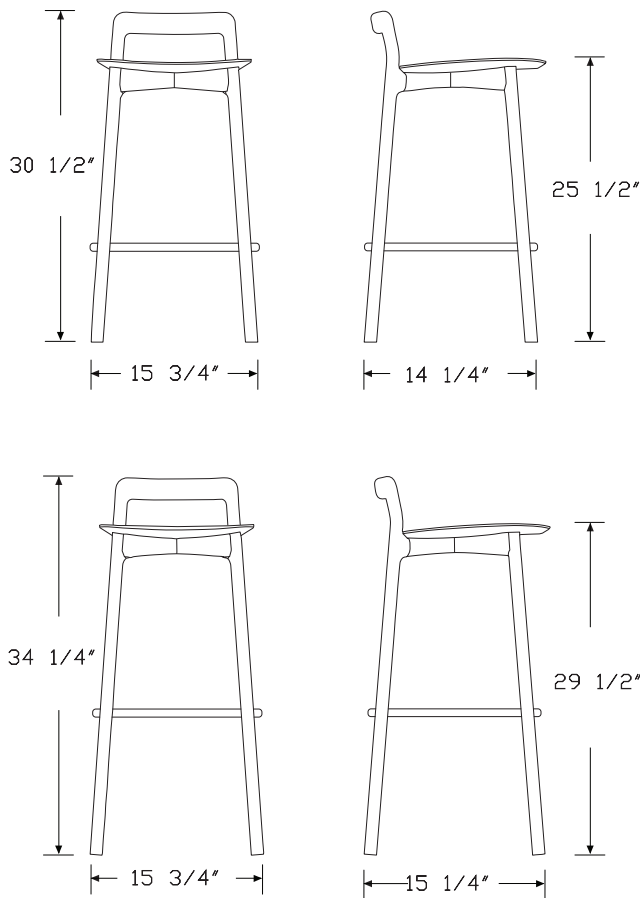


## Product Information

### Description

This stool has an ash frame and comes in 2 heights and 5 finishes. The foot ring is painted metal in black or white. Upholstered seat cushion is removable.

### Dimensions



## Specification Information

### Step 1.

**MGR20.**

### Step 2. Stool Height

**M** medium height

**H** high height

### Step 3. Upholstery

**N** no upholstery

**U** upholstered seat

### Prices for Steps 1-3.

	N	U
<b>MGR20.M</b>	\$1109	1659
<b>H</b>	\$1129	1679

### Step 4. Leg/Seat Finish

**YRC** chocolate/natural seat ash  +\$0

**YRD** green wax ash  +\$0

**YRF** natural wax ash +\$0

**YRG** white anilin ash  +\$0

**YRH** black mat anilin ash  +\$0

### Step 5. Stool Ring Finish

**YBC** black  +\$0

**YDW** white +\$0

### Step 6. Fabric

*For upholstered seat (U)*

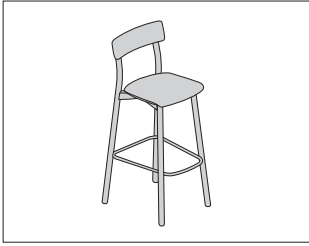
**YNV01** novum cocos  +\$0

**YNV03** novum moss  +\$0

**YNV05** novum pepper  +\$0

Chiaro Stool

MGCH03

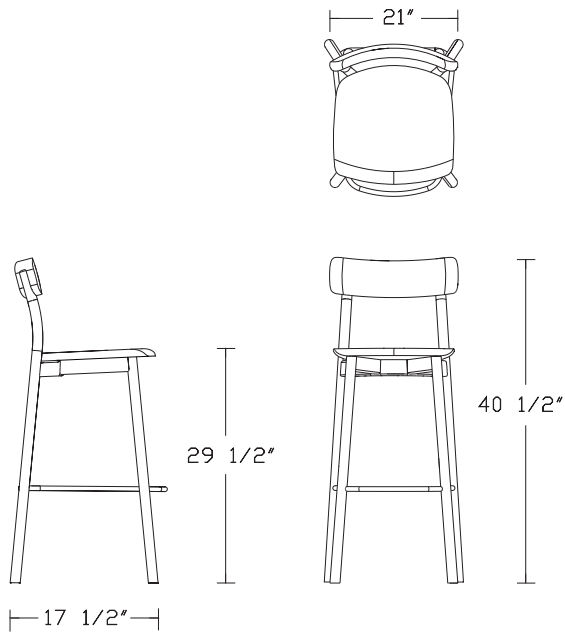


HermanMiller Collection-Stools

**Product Information**

**Description**  
 This solid wood bar height stool is available in natural oak or ash in a selection of finishes.

**Dimensions**



**Specification Information**

**Step 1.**

**MGCH03.**  A

**Step 2. Height**

**H** high height  A

**Step 3. Arm Option**

**N** no arms  A

**Prices for Steps 1-3.**

	<b>N</b>
<b>MGCH03. H</b>	\$960

**Step 4. Frame**

<b>YSA</b> ash <input type="checkbox"/> A	+\$0
<b>YFC</b> oak <input type="checkbox"/> A	+\$250

**Step 5. Finish**

*For ash (YSA)*

<b>YBC</b> black <input type="checkbox"/> A	+\$0
<b>YBP</b> white <input type="checkbox"/> A	+\$0
<b>YDC</b> blue <input type="checkbox"/> A	+\$0
<b>YLW</b> yellow <input type="checkbox"/> A	+\$0
<b>YMP</b> grey <input type="checkbox"/> A	+\$0
<b>YNL</b> natural <input type="checkbox"/> A	+\$0
<b>YRK</b> dark red <input type="checkbox"/> A	+\$0

*For oak (YFC)*

<b>YNL</b> natural <input type="checkbox"/> A	+\$0
---	------



# She Said Stool

MGH03.



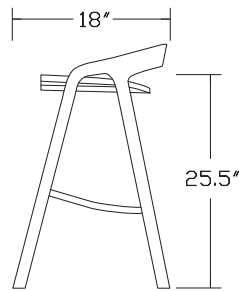
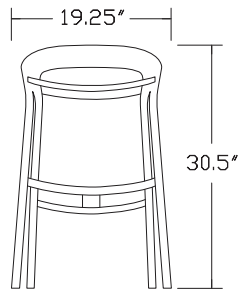
## Product Information

### Description

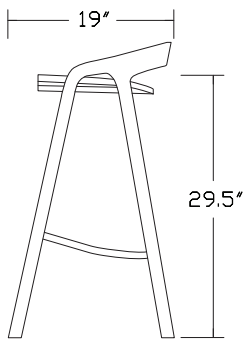
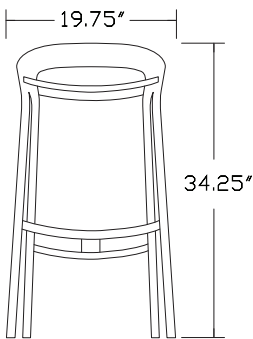
This solid wood stool is available in an ash frame. Seat is available with or without upholstery.

### Dimensions

#### Medium Height



#### High Height



## Specification Information

### Step 1.

**MGH03.**

### Step 2. Height

- M** medium height  A
- H** high height

### Step 3. Upholstery

- N** no upholstery
- U** upholstered seat

### Prices for Steps 1-3.

	N	U
<b>MGH03.M</b>	\$1442	2273
<b>H</b>	\$1463	2294

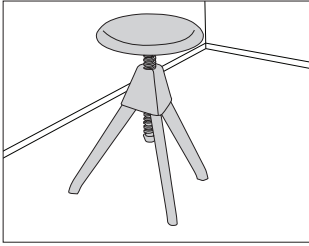
### Step 4. Frame Finish

<b>YQB</b> black anilin ash <input type="checkbox"/> A	+\$0
<b>YRG</b> white anilin ash <input type="checkbox"/> A	+\$0
<b>ZQ5</b> anilin ash neon blue	+\$0
<b>YQC</b> natural ash	+\$60

### Step 5. Fabric

*For upholstered seat (U)*

<b>YDG01</b> topia ebony	+\$0
<b>YDG02</b> topia anthrazit	+\$0
<b>YDG03</b> topia chrome	+\$0
<b>YDG04</b> topia moon	+\$0
<b>YDG05</b> topia snow	+\$0
<b>YDG06</b> topia orion	+\$0
<b>YDG07</b> topia azur	+\$0
<b>YDG08</b> topia seashell	+\$0
<b>YDG09</b> topia litchi	+\$0
<b>YDG10</b> topia heart	+\$0

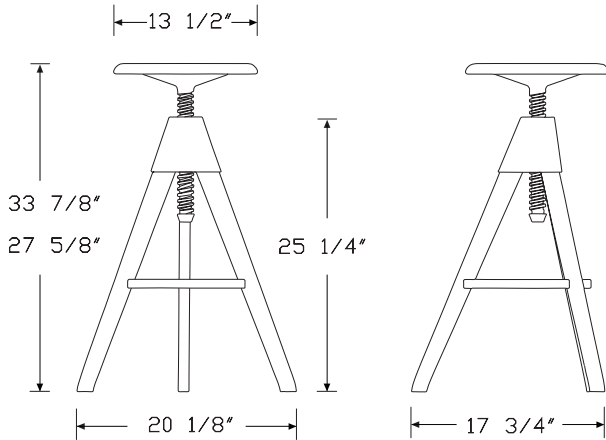


**Product Information**

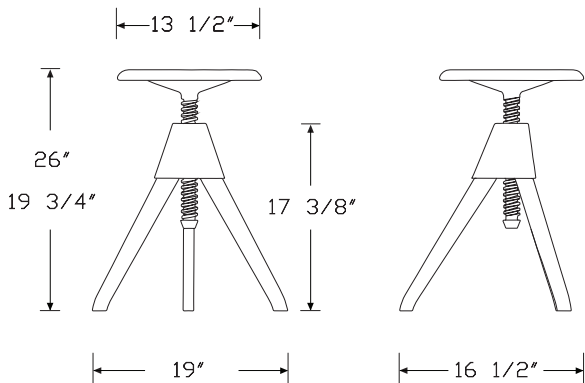
**Description**

This swivel stool is height adjustable and has a solid beech frame and seat in natural finish or painted black. Joint and screw are glass filled polypropylene available in 4 colors. Available in medium and high heights.

**Dimensions**



Tom Stool



Jerry Stool

**Specification Information**

**Step 1.**

**MGTJ20.**

**Step 2. Height**

**J** medium height

**T** high height

**Prices for Steps 1-2.**

<b>MGTJ20. J</b>	\$620
<b>T</b>	\$800

**Step 3. Frame Finish**

<b>YNL</b> natural <input type="checkbox"/>	+\$0
<b>YNG</b> black <input type="checkbox"/>	+\$20

**Step 4. Joint and Screw Finish**

*For natural (YNL)*

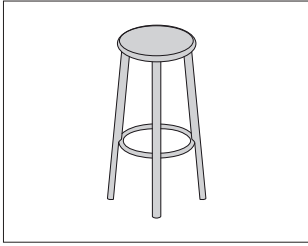
<b>YBM</b> orange <input type="checkbox"/>	+\$0
<b>YMN</b> light blue <input type="checkbox"/>	+\$0
<b>YBP</b> white <input type="checkbox"/>	+\$0
<b>YBC</b> black <input type="checkbox"/>	+\$0

*For black (YNG)*

<b>YBC</b> black <input type="checkbox"/>	+\$0
---	------

# Solo Stool

MGZ02.

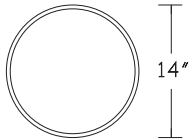


### Product Information

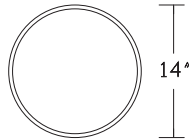
#### Description

This solid wood stool is available in an ash or oak frame.

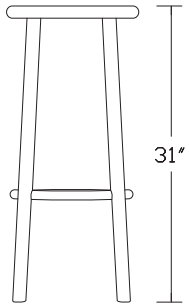
#### Dimensions



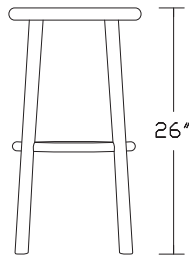
14"



14"



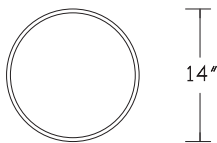
31"



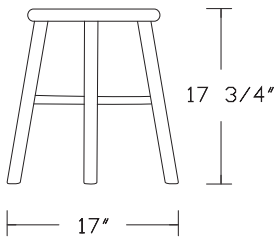
26"

High height

Medium height



14"



17 3/4"

17"

Low height

### Specification Information

#### Step 1.

**MGZ02.**

#### Step 2. Height

**L** low height

**M** medium height

**H** high height

#### Step 3. Upholstery

##### For low height (L)

**N** no upholstery

##### For medium height (M) or high height (H)

**N** no upholstery

**S** upholstered seat

#### Prices for Steps 1-3.

	<b>N</b>	<b>S</b>
<b>MGZ02.L</b>	\$665	—
<b>M</b>	\$665	871
<b>H</b>	\$665	871

#### Step 4. Frame Finish

<b>ZQ1</b>	dark red anilin ash <input type="checkbox"/>	+\$0
<b>ZQA</b>	anilin ash blue/black <input type="checkbox"/>	+\$0
<b>ZQB</b>	anilin ash white <input type="checkbox"/>	+\$0
<b>ZQC</b>	anilin ash neon blue <input type="checkbox"/>	+\$0
<b>ZQM</b>	anilin ash turquoise <input type="checkbox"/>	+\$0
<b>ZQS</b>	anilin ash	+\$0
<b>ZQU</b>	natural oak waxed <input type="checkbox"/>	+\$0
<b>ZQU</b>	natural oak waxed <input type="checkbox"/>	+\$150

#### Step 5. Fabric

##### For upholstered seat (S)

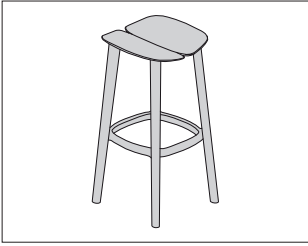
<b>YDD13</b>	white <input type="checkbox"/>	+\$0
<b>YDD14</b>	red <input type="checkbox"/>	+\$0
<b>YDD16</b>	dark grey <input type="checkbox"/>	+\$0
<b>YDD17</b>	black blue <input type="checkbox"/>	+\$0
<b>YDD19</b>	green <input type="checkbox"/>	+\$0

#### Step 6. Stool Ring Finish

<b>ZQ8</b>	black blue	+\$0
<b>ZQ9</b>	grey <input type="checkbox"/>	+\$0
<b>ZQL</b>	white <input type="checkbox"/>	+\$0
<b>ZQQ</b>	red <input type="checkbox"/>	+\$0

# Osso Stool

MGJ01.



### Product Information

#### Description

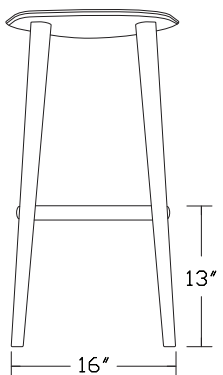
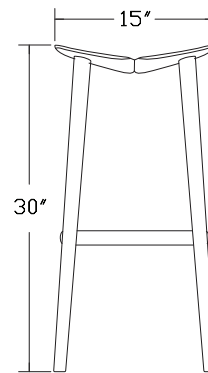
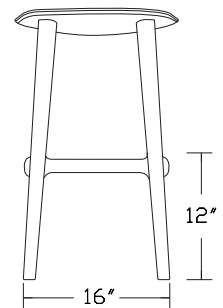
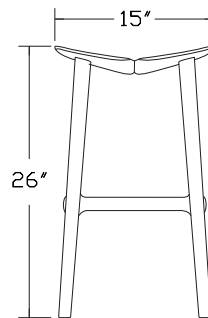
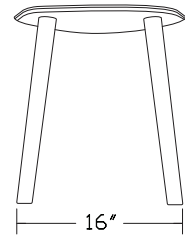
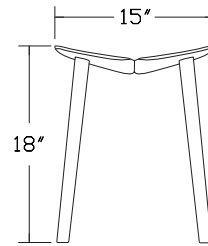
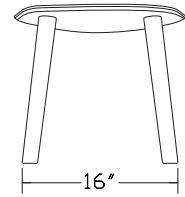
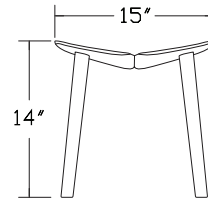
This solid wood stool is available in an ash or oak frame.

#### Notes

Upholstery not shown.

HermanMiller Collection-Stools

### Dimensions



**Specification Information**

Step 1.

**MGJ01.**  A

Step 2. Height

- 14** 14" high  A
- 18** 18" high  A
- 26** 26" high  A
- 30** 30" high  A

Step 3. Upholstery

- N** no upholstery  A
- S** upholstered seat  A

Prices for Steps 1-3.

	<b>N</b>	<b>S</b>
<b>MGJ01. 14</b>	\$850	1450
<b>18</b>	\$875	1475
<b>26</b>	\$1150	1750
<b>30</b>	\$1175	1775

Step 4. Frame Finish

- YSB** black wax ash  A +\$0
- YSC** blue wax ash  A +\$0
- YSD** green wax ash  A +\$0
- YSF** dark grey wax ash  A +\$0
- YSG** natural wax ash  A +\$0
- YSH** pink wax ash  A +\$0
- YSJ** white wax ash  A +\$0
- YSL** natural wax oak  A +\$150

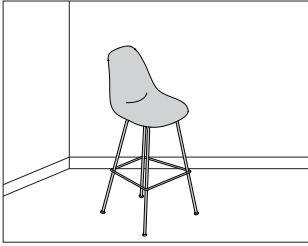
Step 5. Fabric

*For upholstered seat (S)*

- YGR01** gravel 139  A +\$0
- YGR02** gravel 149  A +\$0
- YGR03** gravel 179  A +\$0

# Eames® Molded Fiberglass Stool

DFHBX.  
DFHCX.



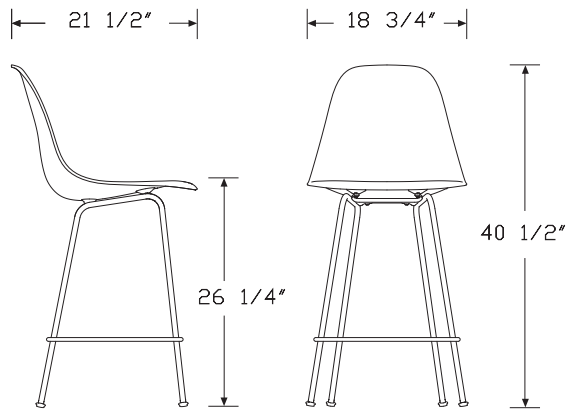
HermanMiller Collection—Stools

## Product Information

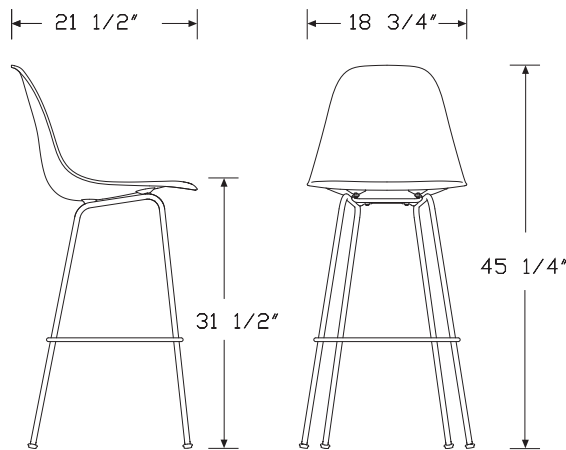
### Description

This stool has a single-piece nonupholstered shell with waterfall edges and molded fiberglass seat and flexible back. Standard glides can be ordered with or without felt. Ships assembled.

### Dimensions



counter height



bar height

## Specification Information

### Step 1.

**DFH**

### Step 2. Base Height

**CX.** counter height stool

**BX.** bar height stool

### Prices for Steps 1-2.

<b>DFHCX.</b>	\$789
<b>DFHBX.</b>	\$809

### Step 3. Base Finish

<b>91</b>	white	+\$0
<b>BK</b>	black	+\$0
<b>47</b>	trivalent chrome	+\$40

### Step 4. Seat/Back Finish

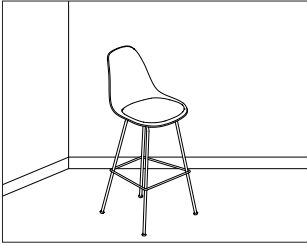
<b>111</b>	parchment	+\$0
<b>112</b>	elephant hide grey	+\$0
<b>113</b>	ultramarine blue	+\$0
<b>114</b>	red orange	+\$0
<b>115</b>	lemon yellow	+\$0
<b>116</b>	green	+\$0
<b>117</b>	navy blue	+\$0
<b>118</b>	black	+\$0
<b>119</b>	seal brown	+\$0

### Step 5. Glide Option

<b>E8</b>	standard glide	+\$0
<b>E9</b>	standard glide with felt bottom	+\$25

Eames® Upholstered Molded  
Fiberglass Stool

DFHBX.  
DFHCX.



**Product Information**

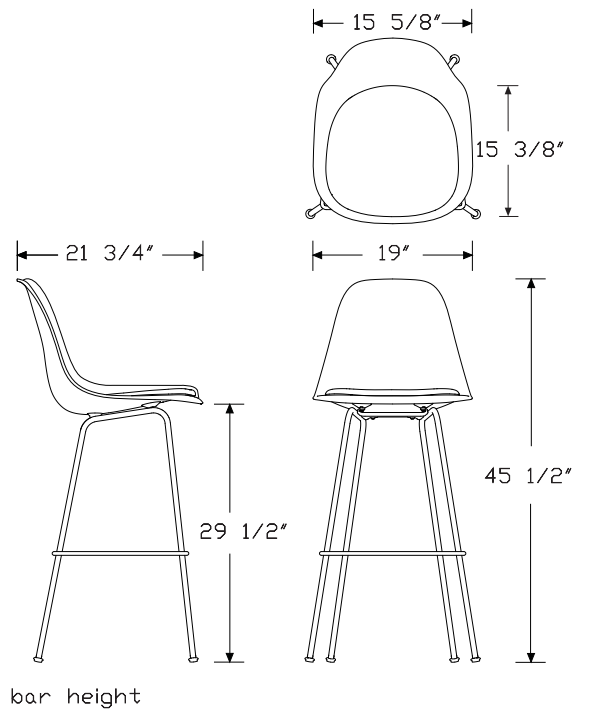
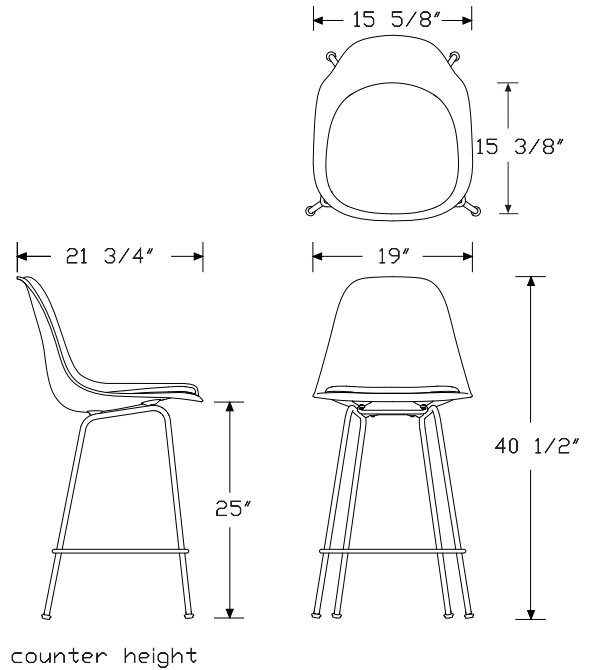
**Description**

This stool has a molded 1-piece construction with waterfall edges, molded fiberglass seat and flexible back. It has a fully upholstered shell or an attached upholstered seat pad. Seat pad is easily removable for cleaning or reupholstery. Standard glides can be ordered with or without felt. Ships assembled.

**Notes**

Seat pad is upholstered with textiles or leather for indoor use only. For upholstered seat pad (P), Customer's Own Material (COM) requires 1 yard. Customer's Own Leather (COL) requires 9 square feet. See Order Information in appendices.

**Dimensions**



HermanMiller Collection—Stools

# Eames® Upholstered Molded Fiberglass Stool *continued*

HermanMiller Collection—Stools

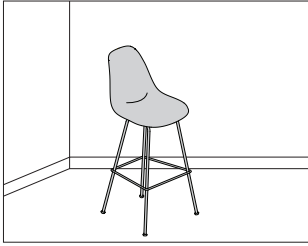
Specification Information		
Step 1.		
<b>DFH</b>	<input type="checkbox"/>	
Step 2. Base Height		
<b>CX.</b>	counter height <input type="checkbox"/>	
<b>BX.</b>	bar height <input type="checkbox"/>	
Step 3. Upholstery		
<b>U</b>	fully upholstered shell <input type="checkbox"/>	
<b>P</b>	upholstered seat pad <input type="checkbox"/>	
Prices for Steps 1-3.		
<b>DFHCX. U</b>		\$964
<b>P</b>		\$859
<b>DFHBX. U</b>		\$984
<b>P</b>		\$879
Step 4. Base Finish		
<b>91</b>	white <input type="checkbox"/>	+\$0
<b>BK</b>	black <input type="checkbox"/>	+\$0
<b>47</b>	trivalent chrome <input type="checkbox"/>	+\$40
Step 5. Seat/Back Finish		
		<b>U</b> <b>P</b>
<b>111</b>	parchment <input type="checkbox"/>	+\$0   50
<b>112</b>	elephant hide grey <input type="checkbox"/>	+\$0   0
<b>113</b>	ultramarine blue <input type="checkbox"/>	+\$0   0
<b>114</b>	red orange <input type="checkbox"/>	+\$0   50
<b>115</b>	lemon yellow <input type="checkbox"/>	+\$0   50
<b>116</b>	green <input type="checkbox"/>	+\$0   0
<b>117</b>	navy blue <input type="checkbox"/>	+\$0   0
<b>118</b>	black <input type="checkbox"/>	+\$0   0
<b>119</b>	seal brown <input type="checkbox"/>	+\$0   0
Step 6. Edge Finish		
<i>For fully upholstered shell (U)</i>		
<b>111</b>	parchment <input type="checkbox"/>	+\$0
<b>BK</b>	black <input type="checkbox"/>	+\$0
<b>ZF</b>	white <input type="checkbox"/>	+\$0

Step 7. Upholstery	
<i>For fully upholstered shell (U)</i>	
Price Category 2	+\$25
Price Category 5	+\$35
Price Category B	+\$45
Price Category G	+\$212
Price Category H	+\$212
Price Category K	+\$380
<i>For upholstered seat pad (P)</i>	
Price Category 1 <input type="checkbox"/>	+\$0
Price Category 2	+\$25
Price Category 4	+\$33
Price Category 5	+\$35
Price Category 9	+\$209
Price Category 11	+\$254
Price Category G	+\$170
Price Category H	+\$210
Price Category K	+\$380
Step 8. Glide Option	
<b>E8</b>	standard glide <input type="checkbox"/> \$0
<b>E9</b>	standard glide with felt bottom <input type="checkbox"/> \$25



# Eames® Molded Plastic Stool

DSHBX.  
DSHCX.

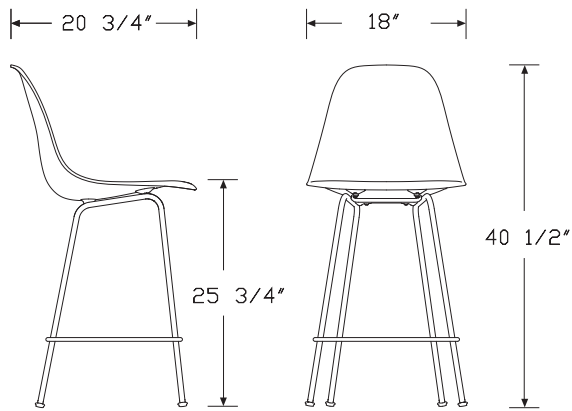


### Product Information

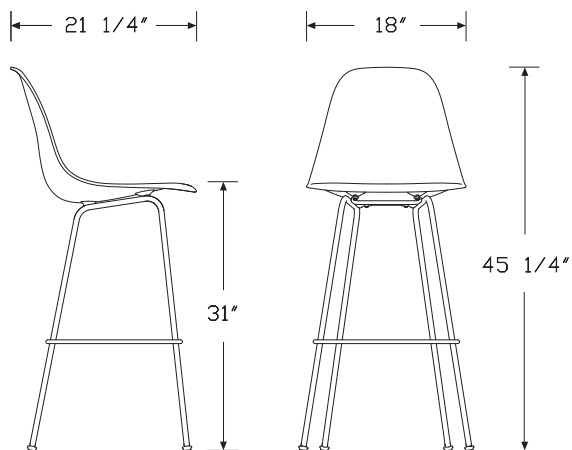
#### Description

This stool has a single-piece nonupholstered shell with waterfall edges and molded plastic seat and flexible back. Standard glides can be ordered with or without felt. Ships assembled.

#### Dimensions



counter height



bar height

### Specification Information

#### Step 1.

**DSH**

#### Step 2. Base Height

**CX.** counter height stool

**BX.** bar height stool

#### Prices for Steps 1-2.

<b>DSHCX.</b>	\$559
<b>DSHBX.</b>	\$579

#### Step 3. Base Finish

<b>91</b>	white	+\$0
<b>BK</b>	black	+\$0
<b>47</b>	trivalent chrome	+\$40

#### Step 4. Seat/Back Finish

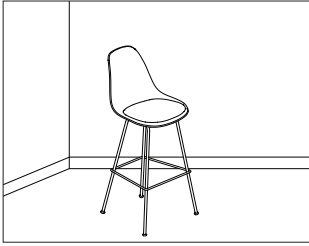
<b>4T</b>	aqua sky	+\$0
<b>5B</b>	java	+\$0
<b>9J</b>	sparrow	+\$0
<b>BLE</b>	blue ice	+\$0
<b>BLH</b>	blush	+\$0
<b>CHL</b>	charcoal	+\$0
<b>KGR</b>	kelly green	+\$0
<b>PBL</b>	peacock blue	+\$0
<b>PYW</b>	pale yellow	+\$0
<b>STN</b>	stone	+\$0
<b>ZA</b>	black	+\$0
<b>ZE</b>	red orange	+\$0
<b>ZF</b>	white	+\$0
<b>ZM</b>	alpine	+\$0

#### Step 5. Glide Option

<b>E8</b>	standard glide	+\$0
<b>E9</b>	standard glide with felt bottom	+\$25

Eames® Upholstered Molded Plastic Stool

DSHBX.  
DSHCX.



**Product Information**

**Description**

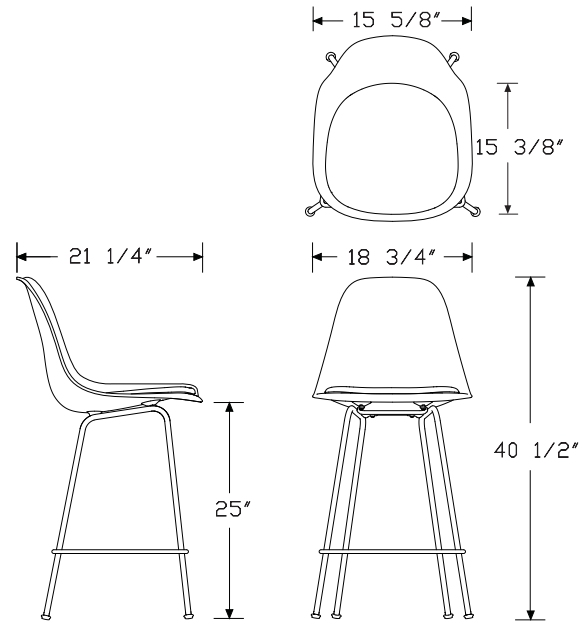
This stool has a molded 1-piece construction with waterfall edges, molded plastic seat and flexible back. It has a fully upholstered shell or an attached upholstered seat pad. Seat pad is easily removable for cleaning or reupholstery. Standard glides can be ordered with or without felt. Ships assembled.

**Notes**

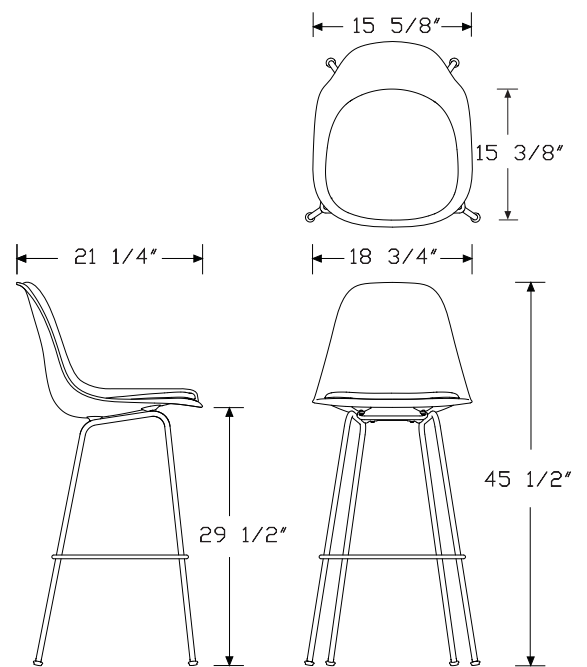
Seat pad is upholstered with textiles or leather for indoor use only. For upholstered seat pad (P), Customer's Own Material (COM) requires 1 yard. Customer's Own Leather (COL) requires 9 square feet. See Order Information in appendices.

HermanMiller Collection—Stools

**Dimensions**



Counter Height



Bar Height

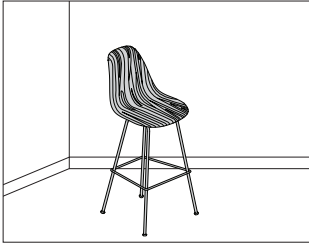
# Eames® Upholstered Molded Plastic Stool *continued*

Specification Information	
Step 1.	
<b>DSH</b>	<input type="checkbox"/> A
Step 2. Base Height	
<b>CX.</b>	counter height <input type="checkbox"/> A
<b>BX.</b>	bar height <input type="checkbox"/> A
Step 3. Upholstery	
<b>U</b>	fully upholstered shell <input type="checkbox"/> A
<b>P</b>	upholstered seat pad <input type="checkbox"/> A
Prices for Steps 1-3.	
<b>DSHCX.U</b>	\$771
<b>P</b>	\$629
<b>DSHBX.U</b>	\$791
<b>P</b>	\$649
Step 4. Base Finish	
<b>91</b>	white <input type="checkbox"/> A +\$0
<b>BK</b>	black <input type="checkbox"/> A +\$0
<b>47</b>	trivalent chrome <input type="checkbox"/> A +\$40
Step 5. Seat/Back Finish	
<b>4T</b>	aqua sky <input type="checkbox"/> A +\$0
<b>5B</b>	java <input type="checkbox"/> A +\$0
<b>9J</b>	sparrow <input type="checkbox"/> A +\$0
<b>BLE</b>	blue ice <input type="checkbox"/> A +\$0
<b>BLH</b>	blush <input type="checkbox"/> A +\$0
<b>CHL</b>	charcoal <input type="checkbox"/> A +\$0
<b>KGR</b>	kelly green <input type="checkbox"/> A +\$0
<b>PBL</b>	peacock blue <input type="checkbox"/> A +\$0
<b>PYW</b>	pale yellow <input type="checkbox"/> A +\$0
<b>STN</b>	stone <input type="checkbox"/> A +\$0
<b>ZA</b>	black <input type="checkbox"/> A +\$0
<b>ZE</b>	red orange <input type="checkbox"/> A +\$0
<b>ZF</b>	white <input type="checkbox"/> A +\$0
<b>ZM</b>	alpine <input type="checkbox"/> A +\$0
Step 6. Edge Finish	
<i>For fully upholstered shell (U)</i>	
<b>111</b>	parchment <input type="checkbox"/> A +\$0
<b>BK</b>	black <input type="checkbox"/> A +\$0
<b>ZF</b>	white <input type="checkbox"/> A +\$0

Step 7. Upholstery	
<i>For fully upholstered shell (U)</i>	
Price Category 2	+\$25
Price Category 5	+\$35
Price Category B	+\$45
Price Category G	+\$0
Price Category H	+\$212
Price Category K	+\$380
<i>For upholstered seat pad (P)</i>	
Price Category 1 <input type="checkbox"/> A	+\$0
Price Category 2	+\$25
Price Category 4	+\$33
Price Category 5	+\$35
Price Category 9	+\$209
Price Category 11	+\$254
Price Category G	+\$170
Price Category H	+\$210
Price Category K	+\$380
Step 8. Glide Option	
<b>E8</b>	standard glide <input type="checkbox"/> A +\$0
<b>E9</b>	standard glide with felt bottom <input type="checkbox"/> A +\$25

# Eames® Molded Wood Stool

DWHBX.  
DWHCX.



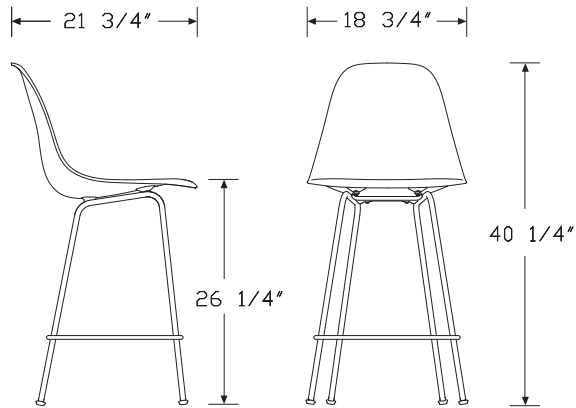
HermanMiller Collection—Stools

## Product Information

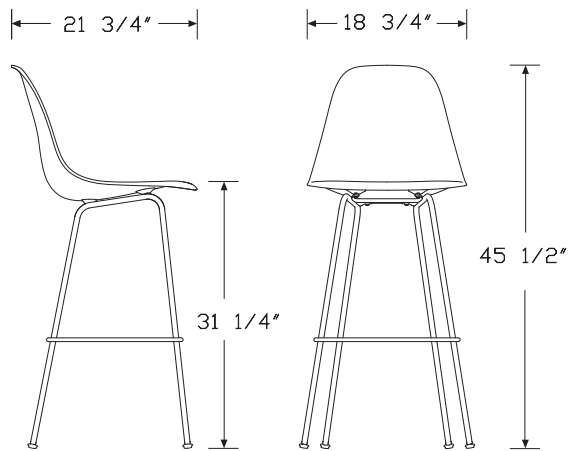
### Description

This stool has a single-piece molded construction with waterfall edges, and is 0.260" thick. Base is attached by nonremovable wooden shock mounts. Standard glides can be ordered with or without felt. Ships assembled.

### Dimensions



counter height



bar height

## Specification Information

### Step 1.

#### DWH

### Step 2. Base Height

**CX.** counter height stool

**BX.** bar height stool

### Prices for Steps 1-2.

<b>DWHCX.</b>	\$1149
<b>DWHBX.</b>	\$1169

### Step 3. Base Finish

<b>91</b>	white	+\$0
<b>BK</b>	black	+\$0
<b>47</b>	trivalent chrome	+\$40

### Step 4. Seat/Back Finish

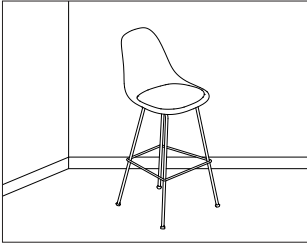
<b>OU</b>	walnut	+\$0
<b>A2</b>	white ash	+\$116
<b>EN</b>	ebony	+\$116
<b>9N</b>	santos palisander	+\$289

### Step 5. Glide Option

<b>E8</b>	standard glide	+\$0
<b>E9</b>	standard glide with felt bottom	+\$25

Eames® Upholstered Molded Wood Stool

DWHBX.  
DWHCX.



**Product Information**

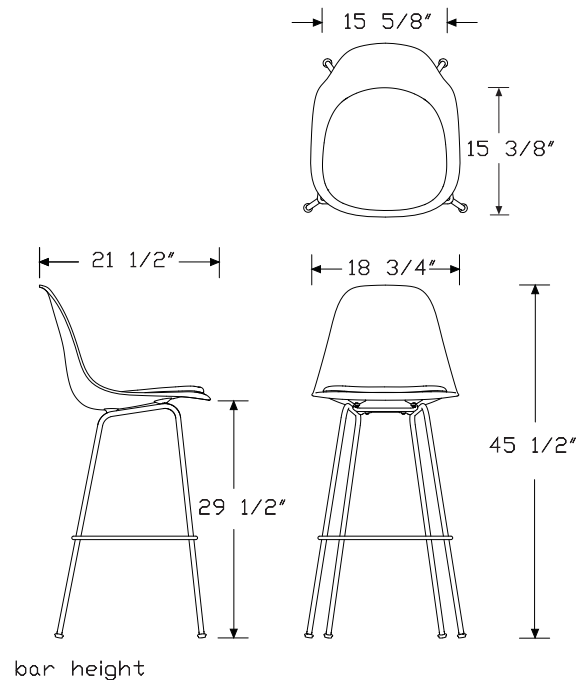
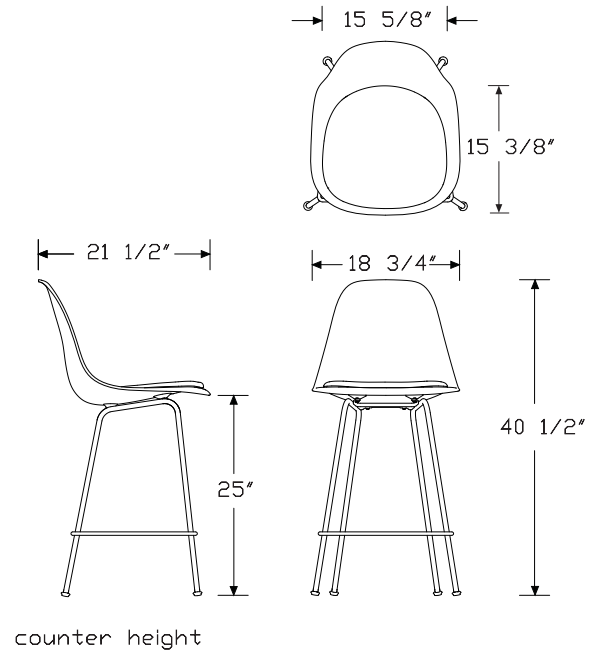
**Description**

This stool has a molded 1-piece construction with waterfall edges, and is 0.260" thick. It comes with an attached upholstered seat pad that is easily removable for cleaning or reupholstery. Base is attached by nonremovable wooden shock mounts. Base options include bar and counter heights. Standard glides can be ordered with or without felt. Ships assembled.

**Notes**

Seat pad is upholstered with textiles or leather for indoor use only. Customer's Own Material (COM) requires 1 yard. Customer's Own Leather (COL) requires 9 square feet. See Order Information in appendices.

**Dimensions**



HermanMiller Collection—Stools

# Eames® Upholstered Molded Wood Stool *continued*

Specification Information		
Step 1.		
<b>DWH</b>	<input type="checkbox"/>	
Step 2. Base Height		
<b>BX.</b>	bar height <input type="checkbox"/>	
<b>CX.</b>	counter height <input type="checkbox"/>	
Step 3. Upholstery		
<b>P</b>	upholstered seat pad <input type="checkbox"/>	
Prices for Steps 1-3.		
<b>DWHBX.P</b>		\$1239
<b>DWHCX.P</b>		\$1219
Step 4. Base Finish		
<b>91</b>	white <input type="checkbox"/>	+\$0
<b>BK</b>	black <input type="checkbox"/>	+\$0
<b>47</b>	trivalent chrome <input type="checkbox"/>	+\$40
Step 5. Seat/Back Finish		
<b>OU</b>	walnut <input type="checkbox"/>	+\$0
<b>A2</b>	white ash <input type="checkbox"/>	+\$116
<b>EN</b>	ebony <input type="checkbox"/>	+\$116
<b>9N</b>	santos palisander <input type="checkbox"/>	+\$289
Step 6. Upholstery		
Price Category 1	<input type="checkbox"/>	+\$0
Price Category 2		+\$25
Price Category 4		+\$33
Price Category 5		+\$35
Price Category 9		+\$209
Price Category 11		+\$254
Price Category G		+\$170
Price Category H		+\$210
Price Category K		+\$380
Step 7. Glide Option		
<b>E8</b>	standard glide <input type="checkbox"/>	+\$0
<b>E9</b>	standard glide with felt bottom <input type="checkbox"/>	+\$25

# Eames® Wire Stool

DKHBX.  
DKHCX.



### Product Information

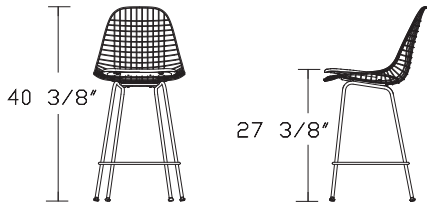
#### Description

This stool has a wire shell, a wire shell with upholstered seat and back, or a wire shell with upholstered seat and wire back. It comes in bar height or counter height. Wire shell and metal bases are available in trivalent chrome, white or black. Stool comes with standard indoor glides with or without felt. Suitable for indoor use only.

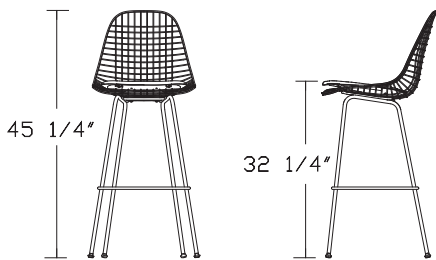
#### Notes

Customer's Own Material (COM) requires 1 yard. See Order Information in appendices.

#### Dimensions



Counter Height, Upholstered Seat



Bar Height, Upholstered Seat

### Specification Information

#### Step 1.

**DKH**  A

#### Step 2. Base Height

**BX.** bar height stool  A

**CX.** counter height stool  A

#### Step 3. Seat/Back Material

**0** wire shell

**2** wire shell/upholstered seat/back

**5** wire shell/upholstered seat/wire back

#### Prices for Steps 1-3.

<b>DKHBX.0</b>	\$1025
<b>2</b>	\$1500
<b>5</b>	\$1140

<b>DKHCX.0</b>	\$1005
<b>2</b>	\$1490
<b>5</b>	\$1116

#### Step 4. Seat Frame/Leg Finish

<b>47</b> trivalent chrome	+\$40
<b>91</b> white	+\$0
<b>BK</b> black	+\$0

#### Step 5. Upholstery

##### For wire shell/upholstered seat/back (2)

Price Category 9	+\$209
Price Category 11	+\$254

##### For wire shell/upholstered seat/wire back (5)

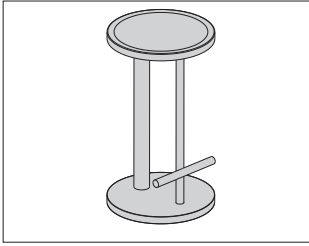
Price Category 1 <input type="checkbox"/> A	+\$0
Price Category 2	+\$25
Price Category 4	+\$33
Price Category 5	+\$35
Price Category 9	+\$209
Price Category 11	+\$254
Price Category G	+\$170
Price Category H	+\$210
Price Category K	+\$380

#### Step 6. Glide Option

<b>E8</b> standard glide <input type="checkbox"/> A	+\$0
<b>E9</b> standard glide with felt bottom <input type="checkbox"/> A	+\$25

# Spot Stool

MAS18  
MAS24  
MAS30



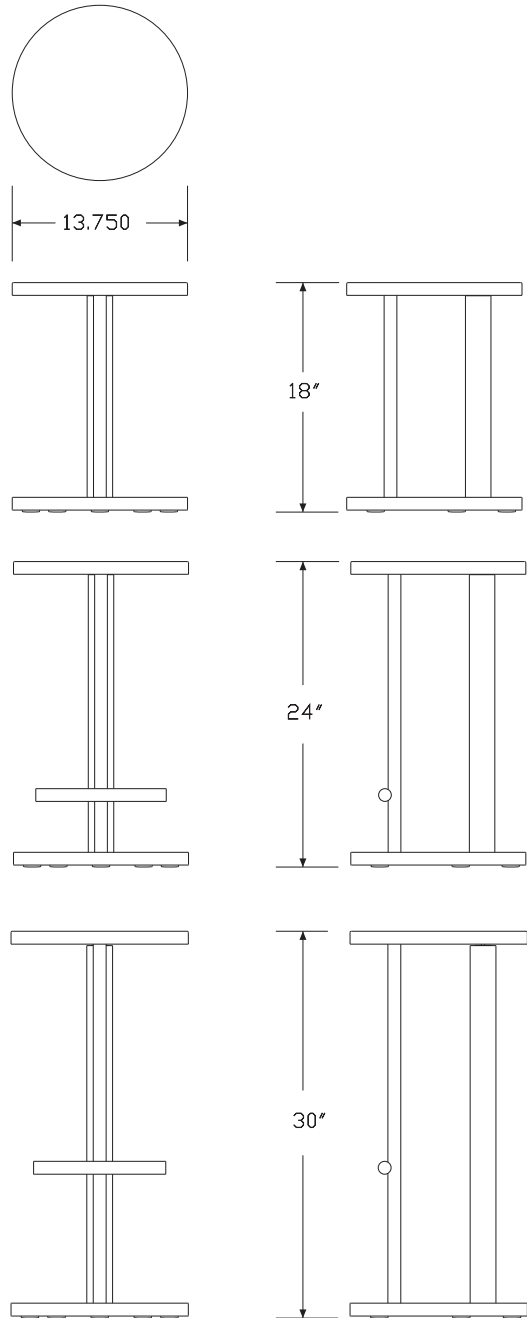
## Product Information

### Description

This wood and steel stool is available in an 18" occasional height, 24" counter height, and 30" bar height. Counter and bar height stools include a footrest. Stool diameter is 13<sup>3</sup>/<sub>4</sub>".

HermanMiller Collection-Stools

## Dimensions





# Spot Stool *continued*

## Specification Information

Step 1.

**MAS**  A

Step 2. Height

**18** 18" high  A

**24** 24" high  A

**30** 30" high  A

Prices for Steps 1-2.

**MAS18** \$1455

**MAS24** \$1475

**MAS30** \$1495

Step 3. Wood Finish

**A2** white ash  A +\$0

**EN** ebony on ash  A +\$0

**OU** walnut  A +\$100

Step 4. Metal Post and Footrest Finish

**SAC** satin chrome  A +\$0

**BK** black  A +\$0

# Crosshatch Stool

SEB1B  
SEB1C



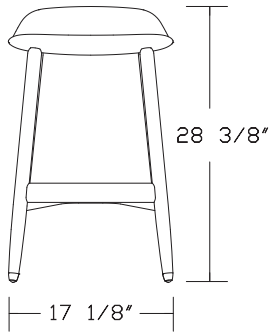
HermanMiller Collection—Stools

## Product Information

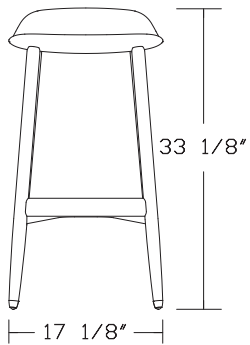
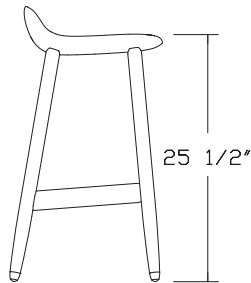
### Description

This solid wood stool is available in bar and counter height. Wood options are ash or walnut.

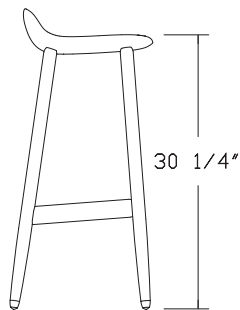
### Dimensions



Counter Height



Bar Height



## Specification Information

### Step 1.

**SEB1**  A

### Step 2. Configuration

**CX** counter height  A

**BX** bar height  A

### Step 3. Frame Finish

**A** ash  A

**W** walnut  A

### Prices for Steps 1-3.

<b>SEB1CX</b> <b>A</b>	\$1350
<b>W</b>	\$1750

<b>SEB1BX</b> <b>A</b>	\$1370
<b>W</b>	\$1770

### Step 4. Wood Finish

#### Anigre Veneer - Low Sheen

##### For ash (A)

<b>967</b> smoked paldao, low sheen <input type="checkbox"/> A	+\$0
<b>969</b> warm paldao, low sheen <input type="checkbox"/> A	+\$0

Crosshatch Stool *continued*

Premium Veneer - Low Sheen

*For ash (A)*

<b>G2U</b>	light brown walnut, low sheen <span style="border: 1px solid black; padding: 0 2px;">A</span>	+\$0
<b>G40</b>	dark brown walnut, low sheen <span style="border: 1px solid black; padding: 0 2px;">A</span>	+\$0
<b>940</b>	sundance cherry on maple <span style="border: 1px solid black; padding: 0 2px;">A</span>	+\$0
<b>943</b>	caramel cherry <span style="border: 1px solid black; padding: 0 2px;">A</span>	+\$0
<b>946</b>	cocoa cherry <span style="border: 1px solid black; padding: 0 2px;">A</span>	+\$0
<b>956</b>	cocoa sapele <span style="border: 1px solid black; padding: 0 2px;">A</span>	+\$0
<b>962</b>	toasted walnut, low sheen <span style="border: 1px solid black; padding: 0 2px;">A</span>	+\$0
<b>963</b>	charred walnut, low sheen <span style="border: 1px solid black; padding: 0 2px;">A</span>	+\$0
<b>964</b>	bronzed walnut, low sheen <span style="border: 1px solid black; padding: 0 2px;">A</span>	+\$0
<b>965</b>	smoked walnut, low sheen <span style="border: 1px solid black; padding: 0 2px;">A</span>	+\$0
<b>966</b>	coffee walnut, low sheen <span style="border: 1px solid black; padding: 0 2px;">A</span>	+\$0
<b>977</b>	chocolate ash, low sheen <span style="border: 1px solid black; padding: 0 2px;">A</span>	+\$0
<b>98R</b>	recograin rosewood <span style="border: 1px solid black; padding: 0 2px;">A</span>	+\$0
<b>991</b>	champagne ash <span style="border: 1px solid black; padding: 0 2px;">A</span>	+\$0
<b>998</b>	ebony ash <span style="border: 1px solid black; padding: 0 2px;">A</span>	+\$0
<b>99A</b>	recograin frosty ash <span style="border: 1px solid black; padding: 0 2px;">A</span>	+\$0
<b>99R</b>	recograin rosewood <span style="border: 1px solid black; padding: 0 2px;">A</span>	+\$0
<b>99T</b>	recograin teak <span style="border: 1px solid black; padding: 0 2px;">A</span>	+\$0
<b>9A1</b>	white ash, quarter cut, low sheen <span style="border: 1px solid black; padding: 0 2px;">A</span>	+\$0
<b>9K1</b>	rift oak, rift cut, low sheen <span style="border: 1px solid black; padding: 0 2px;">A</span>	+\$0
<b>9K6</b>	burnt oak, rift cut, low sheen <span style="border: 1px solid black; padding: 0 2px;">A</span>	+\$0
<b>ED</b>	aged cherry <span style="border: 1px solid black; padding: 0 2px;">A</span>	+\$0
<b>EK</b>	medium red walnut <span style="border: 1px solid black; padding: 0 2px;">A</span>	+\$0
<b>UX</b>	walnut on cherry <span style="border: 1px solid black; padding: 0 2px;">A</span>	+\$0

Premium Veneer - Matte

*For ash (A)*

<b>66A</b>	recograin frosty ash <span style="border: 1px solid black; padding: 0 2px;">A</span>	+\$0
<b>677</b>	chocolate ash, matte sheen <span style="border: 1px solid black; padding: 0 2px;">A</span>	+\$0
<b>68R</b>	recograin rosewood <span style="border: 1px solid black; padding: 0 2px;">A</span>	+\$0
<b>69A</b>	recograin frosty ash <span style="border: 1px solid black; padding: 0 2px;">A</span>	+\$0
<b>69R</b>	recograin rosewood <span style="border: 1px solid black; padding: 0 2px;">A</span>	+\$0
<b>69T</b>	recograin teak <span style="border: 1px solid black; padding: 0 2px;">A</span>	+\$0
<b>6A1</b>	white ash <span style="border: 1px solid black; padding: 0 2px;">A</span>	+\$0
<b>6K1</b>	rift oak <span style="border: 1px solid black; padding: 0 2px;">A</span>	+\$0
<b>6K6</b>	burnt oak <span style="border: 1px solid black; padding: 0 2px;">A</span>	+\$0
<b>ET</b>	clear on ash <span style="border: 1px solid black; padding: 0 2px;">A</span>	+\$0
<b>EU</b>	oak on ash <span style="border: 1px solid black; padding: 0 2px;">A</span>	+\$0
<b>EV</b>	walnut on ash <span style="border: 1px solid black; padding: 0 2px;">A</span>	+\$0
<b>GOU</b>	natural walnut, flat cut, matte sheen <span style="border: 1px solid black; padding: 0 2px;">A</span>	+\$0

RecoGrain Veneer

*For ash (A)*

<b>66G</b>	recograin wenge <span style="border: 1px solid black; padding: 0 2px;">A</span>	+\$0
<b>68W</b>	recograin walnut, flat cut, matte sheen <span style="border: 1px solid black; padding: 0 2px;">A</span>	+\$0
<b>69G</b>	recograin wenge <span style="border: 1px solid black; padding: 0 2px;">A</span>	+\$0
<b>69W</b>	recograin walnut, quarter cut, matte sheen <span style="border: 1px solid black; padding: 0 2px;">A</span>	+\$0

Recon Veneer -

*For ash (A)*

<b>98W</b>	recograin walnut, flat cut, low sheen <span style="border: 1px solid black; padding: 0 2px;">A</span>	+\$0
<b>99G</b>	recograin wenge, quarter cut, low sheen <span style="border: 1px solid black; padding: 0 2px;">A</span>	+\$0
<b>99W</b>	recograin walnut, quarter cut, low sheen <span style="border: 1px solid black; padding: 0 2px;">A</span>	+\$0

Anigre Veneer - Low Sheen

*For walnut (W)*

<b>967</b>	smoked paldao, low sheen <span style="border: 1px solid black; padding: 0 2px;">A</span>	+\$0
<b>969</b>	warm paldao, low sheen <span style="border: 1px solid black; padding: 0 2px;">A</span>	+\$0

Premium Veneer - Low Sheen

*For walnut (W)*

<b>G2U</b>	light brown walnut, low sheen <span style="border: 1px solid black; padding: 0 2px;">A</span>	+\$0
<b>G40</b>	dark brown walnut, low sheen <span style="border: 1px solid black; padding: 0 2px;">A</span>	+\$0
<b>962</b>	toasted walnut, low sheen <span style="border: 1px solid black; padding: 0 2px;">A</span>	+\$0
<b>963</b>	charred walnut, low sheen <span style="border: 1px solid black; padding: 0 2px;">A</span>	+\$0
<b>964</b>	bronzed walnut, low sheen <span style="border: 1px solid black; padding: 0 2px;">A</span>	+\$0
<b>965</b>	smoked walnut, low sheen <span style="border: 1px solid black; padding: 0 2px;">A</span>	+\$0
<b>966</b>	coffee walnut, low sheen <span style="border: 1px solid black; padding: 0 2px;">A</span>	+\$0
<b>972</b>	sundance walnut <span style="border: 1px solid black; padding: 0 2px;">A</span>	+\$0
<b>98R</b>	recograin rosewood <span style="border: 1px solid black; padding: 0 2px;">A</span>	+\$0
<b>99R</b>	recograin rosewood <span style="border: 1px solid black; padding: 0 2px;">A</span>	+\$0
<b>EK</b>	medium red walnut <span style="border: 1px solid black; padding: 0 2px;">A</span>	+\$0

Premium Veneer - Matte

*For walnut (W)*

<b>667</b>	smoked paldao, quarter cut, matte sheen <span style="border: 1px solid black; padding: 0 2px;">A</span>	+\$0
<b>669</b>	warm paldao, quarter cut, matte sheen <span style="border: 1px solid black; padding: 0 2px;">A</span>	+\$0
<b>662</b>	toasted walnut, matte sheen <span style="border: 1px solid black; padding: 0 2px;">A</span>	+\$0
<b>663</b>	charred walnut, matte sheen <span style="border: 1px solid black; padding: 0 2px;">A</span>	+\$0
<b>664</b>	bronzed walnut, matte sheen <span style="border: 1px solid black; padding: 0 2px;">A</span>	+\$0
<b>665</b>	smoked walnut, matte sheen <span style="border: 1px solid black; padding: 0 2px;">A</span>	+\$0
<b>666</b>	coffee walnut, matte sheen <span style="border: 1px solid black; padding: 0 2px;">A</span>	+\$0
<b>68R</b>	recograin rosewood <span style="border: 1px solid black; padding: 0 2px;">A</span>	+\$0
<b>69R</b>	recograin rosewood <span style="border: 1px solid black; padding: 0 2px;">A</span>	+\$0
<b>GOU</b>	natural walnut, flat cut, matte sheen <span style="border: 1px solid black; padding: 0 2px;">A</span>	+\$0

Crosshatch Stool *continued*

HermanMiller Collection - Stools

---

RecoGrain Veneer  
*For walnut (W)*

<b>66G</b>	recograin wenge <input type="checkbox"/> A	+\$0
<b>69G</b>	recograin wenge <input type="checkbox"/> A	+\$0

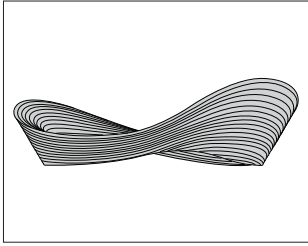
---

Recon Veneer -  
*For walnut (W)*

<b>96G</b>	wenge recograin, quarter cut, low sheen <input type="checkbox"/> A	+\$0
<b>99G</b>	recograin wenge, quarter cut, low sheen <input type="checkbox"/> A	+\$0

Folly

MGC00.



**Product Information**

**Description**

This bench by designer Ron Arad is formed in polyethylene. Suitable for outdoor use.

**Notes**

Order floor kit (MGC90.) separately.

**Dimensions**

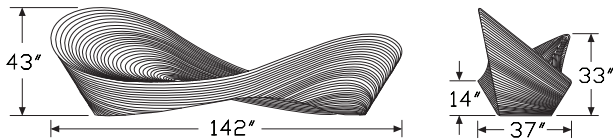
**Specification Information**

**Step 1.**

**MGC00.**  A \$6854

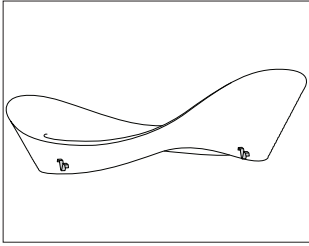
**Step 2. Finish**

**RSB** rust brown  A +\$0



# Folly Floor Kit

MGC90.

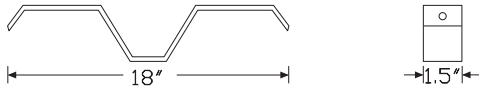


### Product Information

**Description**  
This kit attaches a Folly bench to the floor. Includes 2 galvanized steel plates. Floor anchors not included.

**Notes**  
Customer to supply appropriate anchor system for floor type.

### Dimensions

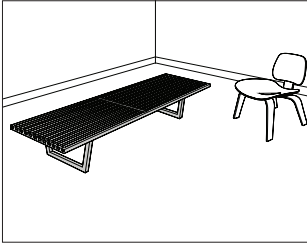


### Specification Information

Step 1.  
**MGC90.** [A] \$257

Nelson™ Platform Bench

PB.

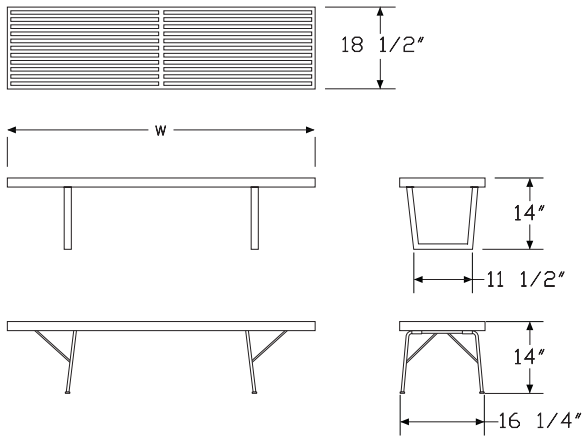


**Product Information**

**Description**

This bench has a slatted, clear-coat solid maple or walnut top and an ebonized wood or chrome metal base with metal leveling glides.

**Dimensions**



**Specification Information**

**Step 1.**

**PB.**  A

**Step 2. Width**

**48** 48" wide  A

**60** 60" wide  A

**72** 72" wide  A

**Step 3. Base**

**M** chrome metal base  A

**W** ebonized wood base  A

**Prices for Steps 1-3.**

		<b>M</b>	<b>W</b>
<b>PB.</b>	<b>48</b>	\$1086	983
	<b>60</b>	\$1180	1082
	<b>72</b>	\$1278	1184

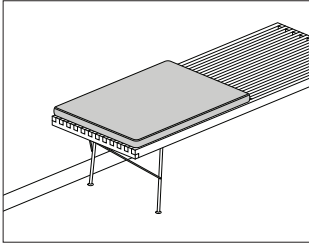
**Step 4. Slat Finish**

		<b>48</b>	<b>60</b>	<b>72</b>
<b>UL</b>	natural maple <input type="checkbox"/> A	+\$150	175	200
<b>OU</b>	walnut <input type="checkbox"/> A	+\$926	1119	1309

HermanMiller Collection—Benches

Nelson™ Platform Bench Cushion

PBC.



**Product Information**

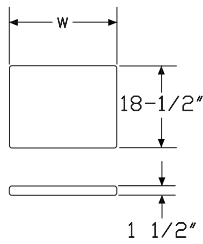
**Description**

This upholstered cushion fits on a Nelson™ platform bench.

**Notes**

Customers Own Material (COM) requires 1 yard for 24"-wide cushion and 1½ yards for 36"-wide cushion. Customers Own Leather (COL) requires 15 square feet for 24"-wide cushion and 20 square feet for 36"-wide cushion. See Order Information in appendices.

**Dimensions**



**Specification Information**

**Step 1.**

**PBC.** A

**Step 2. Width**

**24** 24" wide A

**36** 36" wide A

**Step 3. Material**

**F** fabric A

**Prices for Steps 1-3.**

		<b>F</b>
<b>PBC.</b>	<b>24</b>	\$400
	<b>36</b>	\$600

**Step 4. Finish**

See application chart and textiles list for fabric usage and numbers. First 2 digits of number indicate fabric line; remaining digit(s) indicate fabric color.

	<b>24F</b>	<b>36F</b>
Price Category 1	+\$0	0
Price Category 2	+\$0	0
Price Category 3	+\$16	24
Price Category (Geiger) 3	+\$59	89
Price Category 4	+\$0	0
Price Category (Geiger) 4	+\$32	47
Price Category 5	+\$55	67
Price Category (Geiger) 5	+\$55	67
Price Category 6	+\$60	75
Price Category (Geiger) 6	+\$60	75
Price Category 7	+\$70	85
Price Category (Geiger) 7	+\$70	85
Price Category 9	+\$300	315
Price Category 10	+\$330	347
Price Category (Geiger) 10	+\$202	347
Price Category (Geiger) 11	+\$360	378
Price Category 14	+\$432	454
Price Category D	+\$59	88
Price Category E	+\$71	107
Price Category F	+\$138	171
Price Category G	+\$179	232
Price Category H	+\$218	289
Price Category I	+\$256	346
Price Category J	+\$294	403
Price Category K	+\$332	459
Price Category L	+\$370	516



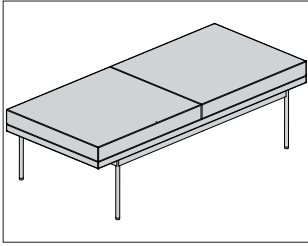
# Nelson™ Platform Bench Cushion

*continued*

Price Category M	+\$519	1038
Price Category N	+\$542	630
Price Category O	+\$485	686
Price Category P	+\$349	743
Price Category Q	+\$375	803
Price Category X	+\$785	1177
Price Category Y	+\$826	1240
Price Category FF	+\$991	1321

Tuxedo Component Lounge™  
Bench

ST2BN  
ST2BQ



HermanMiller Collection—Benches

**Product Information**

**Description**

This 17"-high bench has a foam and Dacron® seat with a painted or plated steel base.

**Notes**

Customer's Own Material (COM)/Customer's Own Leather (COL) requires the following:

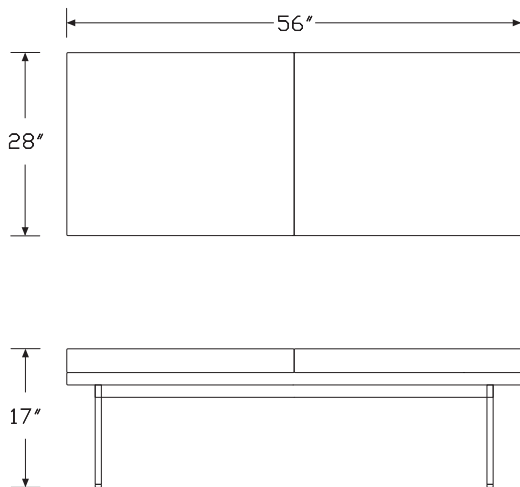
Type—COM—COL

Not quilted—3 yards—54 square feet

Quilted—3 yards—54 square feet

See Order Information in Appendices for more information.

**Dimensions**



**Specification Information**

**Step 1.**

**ST2B**  A

**Step 2. Upholstery Type**

**N** not quilted  A

**Q** quilted  A

**Prices for Steps 1-2.**

<b>ST2BN</b>	\$1993
<b>ST2BQ</b>	\$2057

**Step 3. Upholstery**

*For quilted (Q)*

Price Category (Geiger) 1	+\$117
Price Category 1	+\$0
Price Category (Geiger) 2	+\$141
Price Category 2	+\$141
Price Category (Geiger) 3	+\$177
Price Category 3	+\$177
Price Category (Geiger) 4	+\$216
Price Category 4	+\$216
Price Category (Geiger) 5	+\$315
Price Category 5	+\$315
Price Category (Geiger) 6	+\$414
Price Category (Geiger) 7	+\$513
Price Category (Geiger) 8	+\$786
Price Category (Geiger) 9	+\$975
Price Category 9	+\$975
Price Category (Geiger) 10	+\$1122
Price Category (Geiger) 11	+\$1257
Price Category (Geiger) 14	+\$1647
Price Category (Geiger) A	+\$99
Price Category (Geiger) C	+\$159
Price Category (Geiger) D	+\$210
Price Category (Geiger) E	+\$255
Price Category (Geiger) F	+\$306
Price Category (Geiger) G	+\$417
Price Category (Geiger) H	+\$519
Price Category (Geiger) I	+\$627
Price Category (Geiger) J	+\$735
Price Category (Geiger) K	+\$843
Price Category (Geiger) L	+\$951
Price Category (Geiger) M	+\$1059
Price Category (Geiger) N	+\$1165
Price Category (Geiger) O	+\$1275

# Tuxedo Component Lounge™ Bench *continued*

Price Category (Geiger) P	+\$1380
Price Category (Geiger) Q	+\$1593
Price Category (Geiger) R	+\$2220
Price Category (Geiger) S	+\$2385
Price Category (Geiger) V	+\$2880
Price Category (Geiger) COM <span style="border: 1px solid black; padding: 0 2px;">A</span>	+\$0
Price Category (Geiger) COL <span style="border: 1px solid black; padding: 0 2px;">A</span>	+\$216

---

*For not quilted (N)*

Price Category (Geiger) 1	+\$117
Price Category 1	+\$0
Price Category (Geiger) 2	+\$141
Price Category 2	+\$141
Price Category (Geiger) 3	+\$177
Price Category 3	+\$177
Price Category (Geiger) 4	+\$216
Price Category 4	+\$216
Price Category (Geiger) 5	+\$315
Price Category 5	+\$315
Price Category (Geiger) 6	+\$414
Price Category (Geiger) 7	+\$513
Price Category (Geiger) 8	+\$786
Price Category (Geiger) 9	+\$975
Price Category 9	+\$975
Price Category (Geiger) 10	+\$1122
Price Category (Geiger) 11	+\$1257
Price Category (Geiger) 14	+\$1647
Price Category (Geiger) A	+\$99
Price Category (Geiger) C	+\$159
Price Category (Geiger) D	+\$210
Price Category (Geiger) E	+\$255
Price Category (Geiger) F	+\$306
Price Category (Geiger) G	+\$417
Price Category (Geiger) H	+\$519
Price Category (Geiger) I	+\$627
Price Category (Geiger) J	+\$735
Price Category (Geiger) K	+\$843
Price Category (Geiger) L	+\$951
Price Category (Geiger) M	+\$1059
Price Category (Geiger) N	+\$1165
Price Category (Geiger) O	+\$1275
Price Category (Geiger) P	+\$1380
Price Category (Geiger) Q	+\$1593
Price Category (Geiger) R	+\$2220
Price Category (Geiger) S	+\$2385
Price Category (Geiger) V	+\$2880
Price Category (Geiger) X	+\$3210

Price Category (Geiger) Y	+\$3375
Price Category (Geiger) COM <span style="border: 1px solid black; padding: 0 2px;">A</span>	+\$0
Price Category (Geiger) COL <span style="border: 1px solid black; padding: 0 2px;">A</span>	+\$216

---

Step 4. Base Finish

<b>926</b> black <span style="border: 1px solid black; padding: 0 2px;">A</span>	+\$0
<b>AS</b> arctic silver <span style="border: 1px solid black; padding: 0 2px;">A</span>	+\$0
<b>WHT</b> white <span style="border: 1px solid black; padding: 0 2px;">A</span>	+\$0
<b>BNZ</b> bronze <span style="border: 1px solid black; padding: 0 2px;">A</span>	+\$645
<b>CHR</b> chrome <span style="border: 1px solid black; padding: 0 2px;">A</span>	+\$645
<b>SAC</b> satin chrome <span style="border: 1px solid black; padding: 0 2px;">A</span>	+\$645

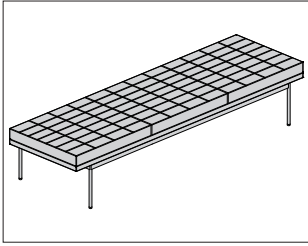
---

Step 5. Fire Retardancy

<b>NOCAL</b> not fire retardant <span style="border: 1px solid black; padding: 0 2px;">A</span>	+\$0
<b>133</b> fire retardant <span style="border: 1px solid black; padding: 0 2px;">A</span>	+\$195

Tuxedo Component Lounge™  
Museum Bench

ST3BN  
ST3BQ



HermanMiller Collection—Benches

**Product Information**

**Description**

This 17"-high museum bench has a foam and Dacron® seat with a painted or plated steel base.

**Notes**

Customer's Own Material (COM)/Customer's Own Leather (COL) requires the following:

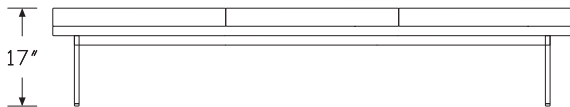
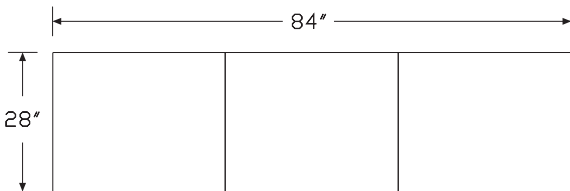
Type—COM—COL

Not quilted—5½ yards—99 square feet

Quilted—5½ yards—99 square feet

See Order Information in Appendices for more information.

**Dimensions**



**Specification Information**

**Step 1.**

**ST3B**  A

**Step 2. Upholstery Type**

**N** not quilted  A

**Q** quilted  A

**Prices for Steps 1-2.**

<b>ST3BN</b>	\$2737
<b>ST3BQ</b>	\$2801

**Step 3. Upholstery**

*For quilted (Q)*

Price Category (Geiger) 1	+\$215
Price Category 1	+\$0
Price Category (Geiger) 2	+\$259
Price Category 2	+\$259
Price Category (Geiger) 3	+\$325
Price Category 3	+\$325
Price Category (Geiger) 4	+\$396
Price Category 4	+\$396
Price Category (Geiger) 5	+\$578
Price Category 5	+\$578
Price Category (Geiger) 6	+\$759
Price Category (Geiger) 7	+\$941
Price Category (Geiger) 8	+\$1441
Price Category (Geiger) 9	+\$1788
Price Category 9	+\$1788
Price Category (Geiger) 10	+\$2057
Price Category (Geiger) 11	+\$2305
Price Category (Geiger) 14	+\$3020
Price Category (Geiger) A	+\$182
Price Category (Geiger) C	+\$292
Price Category (Geiger) D	+\$385
Price Category (Geiger) E	+\$468
Price Category (Geiger) F	+\$561
Price Category (Geiger) G	+\$765
Price Category (Geiger) H	+\$952
Price Category (Geiger) I	+\$1150
Price Category (Geiger) J	+\$1348
Price Category (Geiger) K	+\$1546
Price Category (Geiger) L	+\$1744
Price Category (Geiger) M	+\$1942
Price Category (Geiger) N	+\$2140
Price Category (Geiger) O	+\$2338

# Tuxedo Component Lounge™ Museum Bench *continued*

Price Category (Geiger) P	+\$2530
Price Category (Geiger) Q	+\$2921
Price Category (Geiger) R	+\$4070
Price Category (Geiger) S	+\$4373
Price Category (Geiger) V	+\$5280
Price Category (Geiger) COM <span style="border: 1px solid black; padding: 0 2px;">A</span>	+\$0
Price Category (Geiger) COL <span style="border: 1px solid black; padding: 0 2px;">A</span>	+\$396

---

*For not quilted (N)*

Price Category (Geiger) 1	+\$215
Price Category 1	+\$0
Price Category (Geiger) 2	+\$259
Price Category 2	+\$259
Price Category (Geiger) 3	+\$325
Price Category 3	+\$325
Price Category (Geiger) 4	+\$396
Price Category 4	+\$396
Price Category (Geiger) 5	+\$578
Price Category 5	+\$578
Price Category (Geiger) 6	+\$759
Price Category (Geiger) 7	+\$941
Price Category (Geiger) 8	+\$1441
Price Category (Geiger) 9	+\$1788
Price Category 9	+\$1788
Price Category (Geiger) 10	+\$2057
Price Category (Geiger) 11	+\$2305
Price Category (Geiger) 14	+\$3020
Price Category (Geiger) A	+\$182
Price Category (Geiger) C	+\$292
Price Category (Geiger) D	+\$385
Price Category (Geiger) E	+\$468
Price Category (Geiger) F	+\$561
Price Category (Geiger) G	+\$765
Price Category (Geiger) H	+\$952
Price Category (Geiger) I	+\$1150
Price Category (Geiger) J	+\$1348
Price Category (Geiger) K	+\$1546
Price Category (Geiger) L	+\$1744
Price Category (Geiger) M	+\$1942
Price Category (Geiger) N	+\$2140
Price Category (Geiger) O	+\$2338
Price Category (Geiger) P	+\$2530
Price Category (Geiger) Q	+\$2921
Price Category (Geiger) R	+\$4070
Price Category (Geiger) S	+\$4373
Price Category (Geiger) V	+\$5280
Price Category (Geiger) X	+\$5885

Price Category (Geiger) Y	+\$6188
Price Category (Geiger) COM <span style="border: 1px solid black; padding: 0 2px;">A</span>	+\$0
Price Category (Geiger) COL <span style="border: 1px solid black; padding: 0 2px;">A</span>	+\$396

---

Step 4. Base Finish

<b>926</b> black <span style="border: 1px solid black; padding: 0 2px;">A</span>	+\$0
<b>AS</b> arctic silver <span style="border: 1px solid black; padding: 0 2px;">A</span>	+\$0
<b>WHT</b> white <span style="border: 1px solid black; padding: 0 2px;">A</span>	+\$0
<b>BNZ</b> bronze <span style="border: 1px solid black; padding: 0 2px;">A</span>	+\$645
<b>CHR</b> chrome <span style="border: 1px solid black; padding: 0 2px;">A</span>	+\$645
<b>SAC</b> satin chrome <span style="border: 1px solid black; padding: 0 2px;">A</span>	+\$645

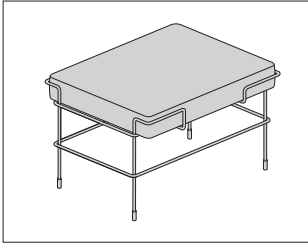
---

Step 5. Fire Retardancy

<b>NOCAL</b> not fire retardant <span style="border: 1px solid black; padding: 0 2px;">A</span>	+\$0
<b>133</b> fire retardant <span style="border: 1px solid black; padding: 0 2px;">A</span>	+\$293

# Traffic One-Seater Bench Upholstered

XXSD2

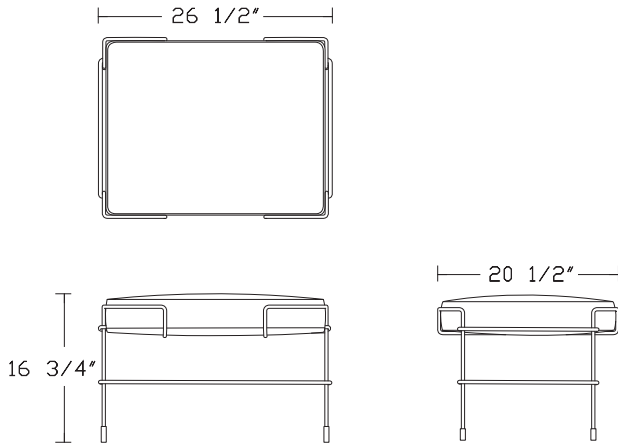


## Product Information

### Description

This bench has a painted steel rod frame and upholstered cushions with removable covers.

### Dimensions



HermanMiller Collection—Benches

## Specification Information

### Step 1.

**XXSD2730** [A] \$1336

### Step 2. Frame Finish

<b>5011</b>	white [A]	+\$0
<b>5013</b>	black [A]	+\$0
<b>5016</b>	sepia brown [A]	+\$0
<b>5017</b>	green blue [A]	+\$0
<b>5019</b>	signal red [A]	+\$0
<b>5021</b>	dark green [A]	+\$0

### Step 3. Seat Fabric

#### For white (5011)

<b>F-088</b>	orange [A]	+\$0
<b>F-222</b>	light blue [A]	+\$0
<b>F-266</b>	beige [A]	+\$0
<b>F-354</b>	green [A]	+\$0
<b>F-578</b>	yellow [A]	+\$0
<b>F-741</b>	light grey [A]	+\$0

#### For black (5013)

<b>F-521</b>	dark brown [A]	+\$0
--------------	----------------	------

#### For sepia brown (5016)

<b>F-578</b>	yellow [A]	+\$0
--------------	------------	------

#### For green blue (5017)

<b>F-222</b>	light blue [A]	+\$0
--------------	----------------	------

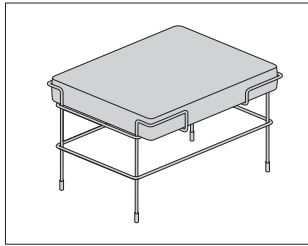
#### For signal red (5019)

<b>F-088</b>	orange [A]	+\$0
--------------	------------	------

#### For dark green (5021)

<b>F-354</b>	green [A]	+\$0
--------------	-----------	------

Traffic One-Seater Bench XXSD2  
 Upholstered (Suitable for Outdoor  
 Use)

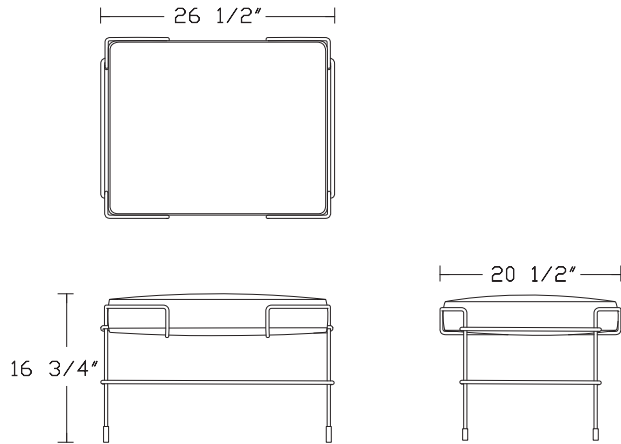


**Product Information**

**Description**

This bench has a painted steel rod frame and upholstered cushions with removable covers. Suitable for outdoor use.

**Dimensions**



**Specification Information**

Step 1.

**XXSD2731** A \$1554

Step 2. Frame Finish

**5011** white A + \$0

Step 3. Seat Fabric

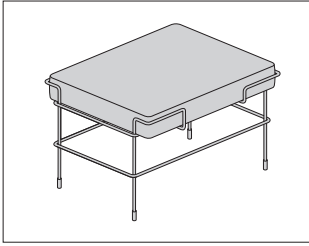
**F-227** turquoise A + \$0

**F-257** blue A + \$0

**F-737** white A + \$0

**F-769** black A + \$0

Traffic One-Seater Bench Leather XXSD2

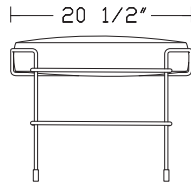
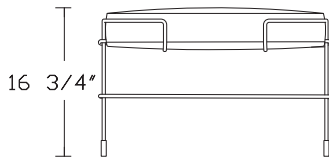
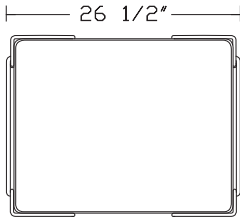


**Product Information**

**Description**

This bench has a painted steel rod frame and upholstered cushions with removable covers.

**Dimensions**



HermanMiller Collection—Benches

**Specification Information**

**Step 1.**

**XXSD2734** [A] \$1986

**Step 2. Frame Finish**

<b>5011</b>	white [A]	+\$0
<b>5013</b>	black [A]	+\$0
<b>5016</b>	sepia brown [A]	+\$0
<b>5021</b>	dark green [A]	+\$0

**Step 3. Seat Fabric**

*For white (5011)*

<b>L-0111</b>	brown l [A]	+\$0
<b>L-0706</b>	cream white l [A]	+\$0

*For black (5013)*

<b>L-0060</b>	anthracite grey l [A]	+\$0
---------------	-----------------------	------

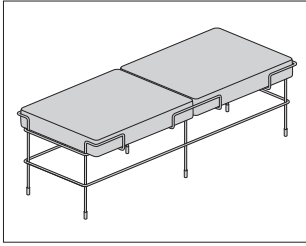
*For dark green (5021)*

<b>L-0111</b>	brown l [A]	+\$0
<b>L-0752</b>	dark brown l [A]	+\$0



Traffic Two-Seater Bench  
Upholstered

XXSD2

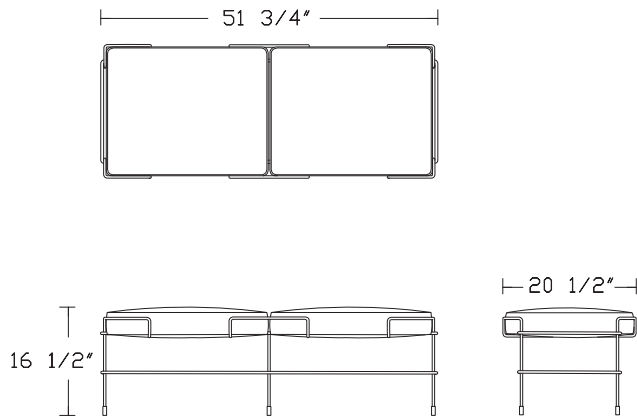


**Product Information**

**Description**

This bench has a painted steel rod frame and upholstered cushions with removable covers.

**Dimensions**



**Specification Information**

**Step 1.**

**XXSD2740** A \$2340

**Step 2. Frame Finish**

<b>5011</b>	white	<span style="border: 1px solid black; padding: 0 2px;">A</span>	+ \$0
<b>5013</b>	black	<span style="border: 1px solid black; padding: 0 2px;">A</span>	+ \$0
<b>5016</b>	sepia brown	<span style="border: 1px solid black; padding: 0 2px;">A</span>	+ \$0
<b>5017</b>	green blue	<span style="border: 1px solid black; padding: 0 2px;">A</span>	+ \$0
<b>5019</b>	signal red	<span style="border: 1px solid black; padding: 0 2px;">A</span>	+ \$0
<b>5021</b>	dark green	<span style="border: 1px solid black; padding: 0 2px;">A</span>	+ \$0

**Step 3. Seat Fabric**

*For white (5011)*

<b>F-088</b>	orange	<span style="border: 1px solid black; padding: 0 2px;">A</span>	+ \$0
<b>F-222</b>	light blue	<span style="border: 1px solid black; padding: 0 2px;">A</span>	+ \$0
<b>F-266</b>	beige	<span style="border: 1px solid black; padding: 0 2px;">A</span>	+ \$0
<b>F-354</b>	green	<span style="border: 1px solid black; padding: 0 2px;">A</span>	+ \$0
<b>F-578</b>	yellow	<span style="border: 1px solid black; padding: 0 2px;">A</span>	+ \$0
<b>F-741</b>	light grey	<span style="border: 1px solid black; padding: 0 2px;">A</span>	+ \$0

*For black (5013)*

<b>F-521</b>	dark brown	<span style="border: 1px solid black; padding: 0 2px;">A</span>	+ \$0
--------------	------------	---	-------

*For sepia brown (5016)*

<b>F-578</b>	yellow	<span style="border: 1px solid black; padding: 0 2px;">A</span>	+ \$0
--------------	--------	---	-------

*For green blue (5017)*

<b>F-222</b>	light blue	<span style="border: 1px solid black; padding: 0 2px;">A</span>	+ \$0
--------------	------------	---	-------

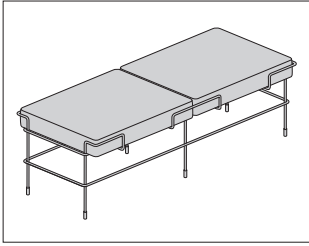
*For signal red (5019)*

<b>F-088</b>	orange	<span style="border: 1px solid black; padding: 0 2px;">A</span>	+ \$0
--------------	--------	---	-------

*For dark green (5021)*

<b>F-354</b>	green	<span style="border: 1px solid black; padding: 0 2px;">A</span>	+ \$0
--------------	-------	---	-------

Traffic Two-Seater Bench XXSD2  
 Upholstered (Suitable for Outdoor  
 Use)

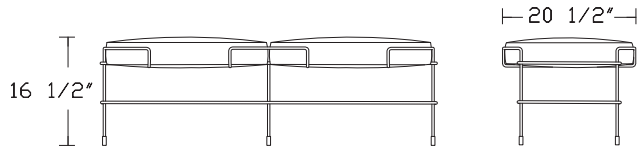
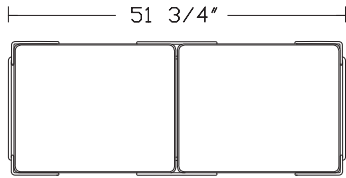


**Product Information**

**Description**

This bench has a painted steel rod frame and upholstered cushions with removable covers. Suitable for outdoor use.

**Dimensions**



**Specification Information**

**Step 1.**

**XXSD2741** A \$2670

**Step 2. Frame Finish**

**5011** white A + \$0

**Step 3. Seat Fabric**

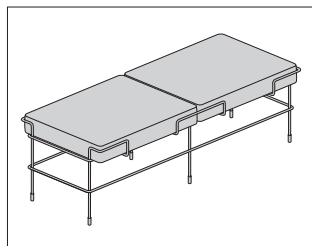
**F-227** turquoise A + \$0

**F-257** blue A + \$0

**F-737** white A + \$0

**F-769** black A + \$0

Traffic Two-Seater Bench Leather XXSD2

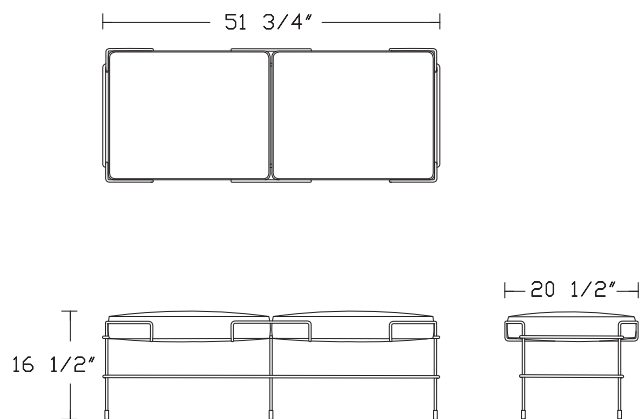


**Product Information**

**Description**

This bench has a painted steel rod frame and upholstered cushions with removable covers.

**Dimensions**



**Specification Information**

**Step 1.**

**XXSD2744** [A] \$3645

**Step 2. Frame Finish**

- 5011** white [A] +\$0
- 5013** black [A] +\$0
- 5016** sepia brown [A] +\$0
- 5021** dark green [A] +\$0

**Step 3. Seat Fabric**

*For white (5011)*

- L-0111** brown l [A] +\$0
- L-0706** cream white l [A] +\$0

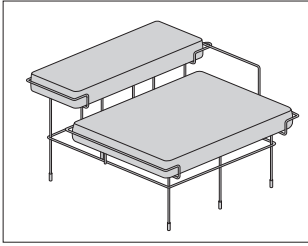
*For black (5013)*

- L-0060** anthracite grey l [A] +\$0

*For dark green (5021)*

- L-0111** brown l [A] +\$0
- L-0752** dark brown l [A] +\$0

HermanMiller Collection—Benches

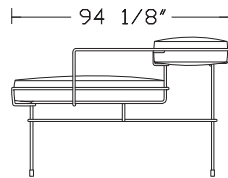
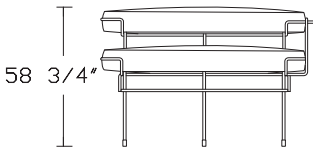
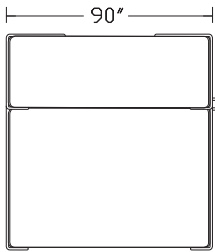


**Product Information**

**Description**

This platform bench has a painted steel rod frame and upholstered cushions with removable covers.

**Dimensions**



HermanMiller Collection—Benches

**Specification Information**

**Step 1.**

**XXSD2750** [A] \$2558

**Step 2. Frame Finish**

<b>5011</b>	white [A]	+ \$0
<b>5013</b>	black [A]	+ \$0
<b>5016</b>	sepia brown [A]	+ \$0
<b>5017</b>	green blue [A]	+ \$0
<b>5019</b>	signal red [A]	+ \$0
<b>5021</b>	dark green [A]	+ \$0

**Step 3. Seat Fabric**

*For white (5011)*

<b>F-088</b>	orange [A]	+ \$0
<b>F-222</b>	light blue [A]	+ \$0
<b>F-266</b>	beige [A]	+ \$0
<b>F-354</b>	green [A]	+ \$0
<b>F-578</b>	yellow [A]	+ \$0
<b>F-741</b>	light grey [A]	+ \$0

*For black (5013)*

<b>F-521</b>	dark brown [A]	+ \$0
--------------	----------------	-------

*For sepia brown (5016)*

<b>F-578</b>	yellow [A]	+ \$0
--------------	------------	-------

*For green blue (5017)*

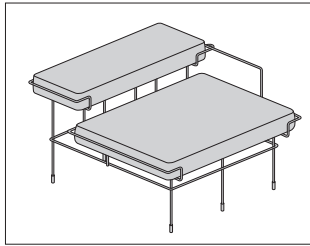
<b>F-222</b>	light blue [A]	+ \$0
--------------	----------------	-------

*For signal red (5019)*

<b>F-088</b>	orange [A]	+ \$0
--------------	------------	-------

*For dark green (5021)*

<b>F-354</b>	green [A]	+ \$0
--------------	-----------	-------

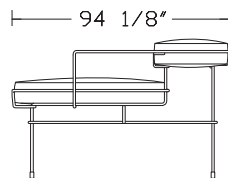
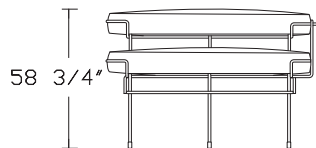
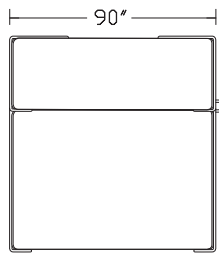


**Product Information**

**Description**

This platform bench has a painted steel rod frame and upholstered cushions with removable covers.

**Dimensions**



**Specification Information**

**Step 1.**

**XXSD2754**  **A** \$4082

**Step 2. Frame Finish**

- 5011** white  **A** +\$0
- 5013** black  **A** +\$0
- 5016** sepia brown  **A** +\$0
- 5021** dark green  **A** +\$0

**Step 3. Seat Fabric**

*For white (5011)*

- L-0111** brown l  **A** +\$0
- L-0706** cream white l  **A** +\$0

*For black (5013)*

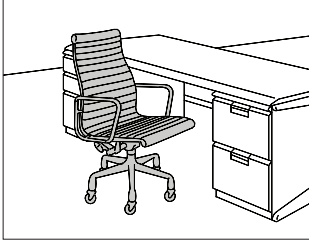
- L-0060** anthracite grey l  **A** +\$0

*For dark green (5021)*

- L-0111** brown l  **A** +\$0
- L-0752** dark brown l  **A** +\$0

Eames® Aluminum Group  
Executive Chair

EA337



**Product Information**

**Description**

This high-back chair with arms has a lightweight aluminum frame with suspended upholstery. It has a 5-star base with casters, tilt-swivel mechanism, and manual seat-height adjustment or pneumatic seat-height adjustment and tilt lock feature.

**Notes**

Chair is tested and warranted for use by persons 300 pounds and under. When chair is specified with Cygnus™ mesh, it meets CAL 133 requirements.

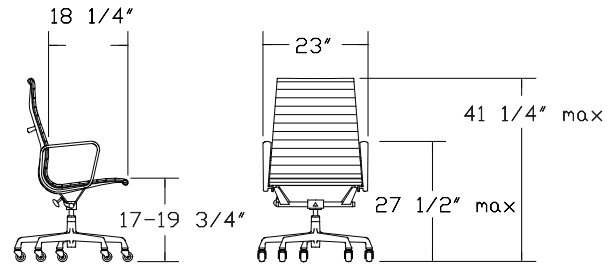
Chair sizes shown in illustrations are nominal.

For description of casters, see Casters and Glides in Appendices.

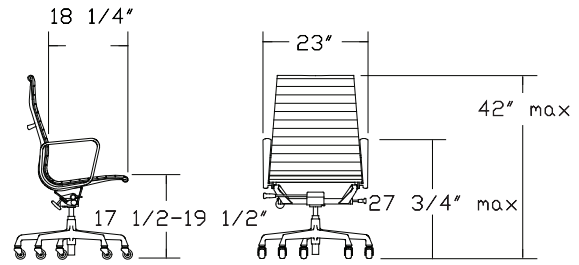
Customer's Own Material (COM) requires 1½ yards. Customer's Own Leather (COL) requires 45 square feet. See Order Information in Appendices.

HermanMiller Collection—Work Chairs

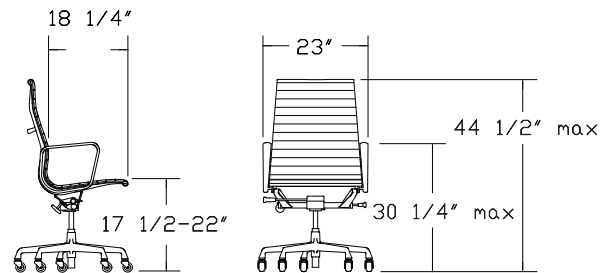
**Dimensions**



Manual



Pneumatic, standard-height range



Pneumatic, extended-height range

Eames® Aluminum Group  
Executive Chair *continued*

**Specification Information**

Step 1.

**EA33** A

Step 2. Seat-Height Adjustment

<b>7</b>	manual seat-height adjustment <span style="border: 1px solid black; padding: 0 2px;">A</span>	
<b>7P</b>	pneumatic seat-height adjustment, standard-height range with tilt lock <span style="border: 1px solid black; padding: 0 2px;">A</span>	
<b>7E</b>	pneumatic seat-height adjustment, extended-height range with tilt lock <span style="border: 1px solid black; padding: 0 2px;">A</span>	

Prices for Steps 1-2.

<b>EA337</b>	\$1857
<b>EA337P</b>	\$2024
<b>EA337E</b>	\$2096

Step 3. Casters

<b>BSC</b>	2" soft double wheel caster, hard floors or carpet, black <span style="border: 1px solid black; padding: 0 2px;">A</span>	+\$0
<b>MD</b>	2" soft double wheel caster, hard floors or carpet, chrome <span style="border: 1px solid black; padding: 0 2px;">A</span>	+\$0
<b>UD</b>	2" hard double wheel caster, carpet, black painted <span style="border: 1px solid black; padding: 0 2px;">A</span>	+\$0
<b>VD</b>	2" hard double wheel caster, carpet, chrome <span style="border: 1px solid black; padding: 0 2px;">A</span>	+\$0

Step 4. Base Finish

<b>L</b>	polished aluminum <span style="border: 1px solid black; padding: 0 2px;">A</span>	+\$0
<b>BK</b>	black <span style="border: 1px solid black; padding: 0 2px;">A</span>	+\$28
<b>G2</b>	graphite satin <span style="border: 1px solid black; padding: 0 2px;">A</span>	+\$28
<b>91</b>	white <span style="border: 1px solid black; padding: 0 2px;">A</span>	+\$28

Step 5. Frame Finish

*For polished aluminum (L)*

<b>L</b>	polished aluminum <span style="border: 1px solid black; padding: 0 2px;">A</span>	+\$0
----------	---	------

*For black (BK)*

<b>BK</b>	black <span style="border: 1px solid black; padding: 0 2px;">A</span>	+\$107
-----------	---	--------

*For graphite satin (G2)*

<b>G2</b>	graphite satin <span style="border: 1px solid black; padding: 0 2px;">A</span>	+\$107
-----------	--	--------

*For white (91)*

<b>91</b>	white <span style="border: 1px solid black; padding: 0 2px;">A</span>	+\$107
-----------	---	--------

Step 6. Fabric

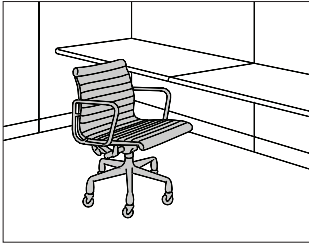
*See application chart and textiles list for fabric usage and numbers.*

*First 2 digits of number indicate fabric line; remaining digit(s) indicate fabric color.*

Price Category 1	+\$0
Price Category 2	+\$55
Price Category 3	+\$125
Price Category 4	+\$179
Price Category (Geiger) 4	+\$138
Price Category 5	+\$226
Price Category 6	+\$273
Price Category 7 <span style="border: 1px solid black; padding: 0 2px;">A</span>	+\$240
Price Category (Geiger) 7	+\$180
Price Category 9	+\$621
Price Category (Geiger) 10	+\$702
Price Category 11	+\$768
Price Category B	+\$51
Price Category D	+\$88
Price Category E	+\$107
Price Category F	+\$138
Price Category G	+\$179
Price Category H	+\$218
Price Category I	+\$256
Price Category J	+\$294
Price Category K	+\$332
Price Category L	+\$370
Price Category FF	+\$2973

Eames® Aluminum Group  
Management Chair

EA334  
EA335



**Product Information**

**Description**

This low-back chair has a lightweight aluminum frame with suspended upholstery and comes with or without arms. It has a 5-star base, tilt-swivel mechanism, and manual seat-height adjustment or pneumatic seat-height adjustment and tilt lock feature. The chair is available with casters or glides. The chair with glides includes 1/2" (GD) glides for hard floors or carpet.

**Notes**

Chair is tested and warranted for use by persons 300 pounds and under. When chair is specified with Cygnus™ mesh, it meets CAL 133 requirements.

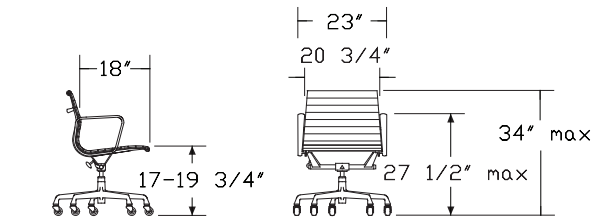
Chair sizes shown in illustrations are nominal.

For description of casters and glides, see Casters and Glides in Appendices.

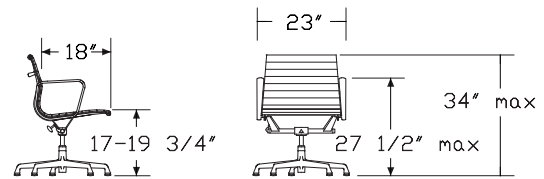
Customer's Own Material (COM) requires 1 1/3 yards. Customer's Own Leather (COL) requires 45 square feet. See Order Information in Appendices.

HermanMiller Collection—Work Chairs

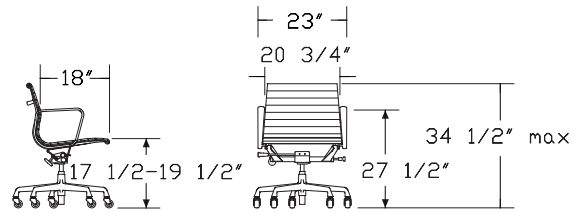
**Dimensions**



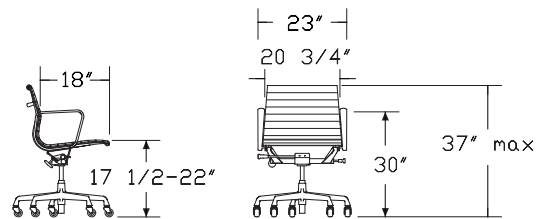
Casters



Glides



Pneumatic, standard-height range



Pneumatic, extended-height range



# Eames® Aluminum Group Management Chair *continued*

## Specification Information

Step 1.

**EA33** A

Step 2. Casters/Glides/Seat-Height Adjustment

<b>5</b>	casters with manual seat-height adjustment
<b>4</b>	glides with manual seat-height adjustment <span style="border: 1px solid black; padding: 0 2px;">A</span>
<b>5P</b>	casters with pneumatic seat-height adjustment, standard-height range with tilt lock
<b>5E</b>	casters with pneumatic seat-height adjustment, extended-height range with tilt lock <span style="border: 1px solid black; padding: 0 2px;">A</span>
<b>5N</b>	casters with manual seat-height adjustment, no arms
<b>5PN</b>	casters with pneumatic seat-height adjustment, no arms, standard-height range
<b>5EN</b>	casters with pneumatic seat-height adjustment, no arms, extended-height range <span style="border: 1px solid black; padding: 0 2px;">A</span>

Prices for Steps 1-2.

<b>EA335</b>	\$1701
<b>EA334</b>	\$1701
<b>EA335P</b>	\$1867
<b>EA335E</b>	\$1938
<b>EA335N</b>	\$1274
<b>EA335PN</b>	\$1438
<b>EA335EN</b>	\$1509

Step 3. Casters

*For casters with manual seat-height adjustment (5), casters with pneumatic seat-height adjustment, standard-height range with tilt lock (5P), casters with pneumatic seat-height adjustment, extended-height range with tilt lock (5E), casters with manual seat-height adjustment, no arms (5N), casters with pneumatic seat-height adjustment, no arms, standard-height range (5PN), or casters with pneumatic seat-height adjustment, no arms, extended-height range (5EN)*

<b>BSC</b>	2" soft double wheel caster, hard floors or carpet, black <span style="border: 1px solid black; padding: 0 2px;">A</span>	+\$0
<b>MD</b>	2" soft double wheel caster, hard floors or carpet, chrome	+\$0
<b>UD</b>	2" hard double wheel caster, carpet, black painted	+\$0
<b>VD</b>	2" hard double wheel caster, carpet, chrome	+\$0

Step 4. Base Finish

<b>L</b>	polished aluminum	+\$0
<b>BK</b>	black <span style="border: 1px solid black; padding: 0 2px;">A</span>	+\$28
<b>G2</b>	graphite satin <span style="border: 1px solid black; padding: 0 2px;">A</span>	+\$28
<b>91</b>	white <span style="border: 1px solid black; padding: 0 2px;">A</span>	+\$28

Step 5. Frame Finish

*For polished aluminum (L)*

<b>L</b>	polished aluminum	+\$0
----------	-------------------	------

*For black (BK)*

<b>BK</b>	black <span style="border: 1px solid black; padding: 0 2px;">A</span>	+\$107
-----------	---	--------

*For graphite satin (G2)*

<b>G2</b>	graphite satin <span style="border: 1px solid black; padding: 0 2px;">A</span>	+\$107
-----------	--	--------

*For white (91)*

<b>91</b>	white <span style="border: 1px solid black; padding: 0 2px;">A</span>	+\$107
-----------	---	--------

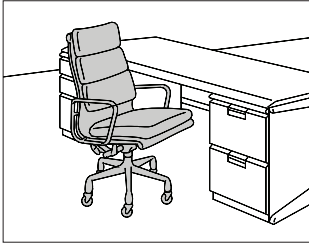
Step 6. Fabric

*See application chart and textiles list for fabric usage and numbers.*

*First 2 digits of number indicate fabric line; remaining digit(s) indicate fabric color.*

Price Category 1	+\$0
Price Category 2	+\$48
Price Category 3	+\$90
Price Category 4	+\$138
Price Category (Geiger) 4	+\$138
Price Category 5	+\$170
Price Category 6	+\$205
Price Category 7 <span style="border: 1px solid black; padding: 0 2px;">A</span>	+\$180
Price Category (Geiger) 7	+\$180
Price Category 9	+\$591
Price Category (Geiger) 10	+\$668
Price Category 11	+\$768
Price Category B	+\$39
Price Category D	+\$78
Price Category E	+\$94
Price Category F	+\$122
Price Category G	+\$159
Price Category H	+\$193
Price Category I	+\$227
Price Category J	+\$261
Price Category K	+\$294
Price Category L	+\$328
Price Category FF	+\$2973

Eames® Soft Pad Group Executive Chair EA437



**Product Information**

**Description**

This high-back chair with arms has a lightweight aluminum frame and 2"-thick upholstered foam cushions. It has a 5-star base with casters, tilt-swivel mechanism, and manual seat-height adjustment or pneumatic seat-height adjustment and tilt lock feature.

**Notes**

Chair is tested and warranted for use by persons 300 pounds and under.

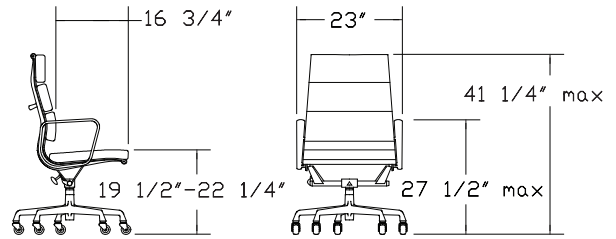
Chair sizes shown in illustrations are nominal.

For description of casters, see Casters and Glides in Appendices.

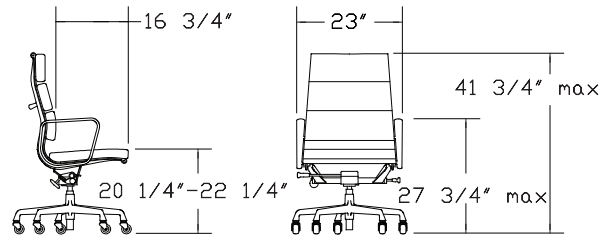
Customer's Own Material (COM) requires 3 yards. Customer's Own Leather (COL) requires 56 square feet. See Order Information in Appendices.

HermanMiller Collection—Work Chairs

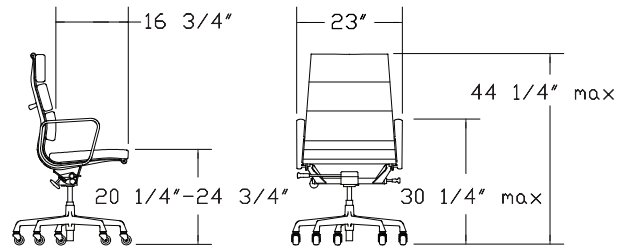
**Dimensions**



Manual



Pneumatic, standard-height range



Pneumatic, extended-height range

# Eames® Soft Pad Group Executive Chair *continued*

## Specification Information

### Step 1.

**EA43** A

### Step 2. Seat-Height Adjustment

<b>7</b>	manual seat-height adjustment <span style="border: 1px solid black; padding: 0 2px;">A</span>	
<b>7P</b>	pneumatic seat-height adjustment, standard-height range with tilt lock <span style="border: 1px solid black; padding: 0 2px;">A</span>	
<b>7E</b>	pneumatic seat-height adjustment, extended-height range with tilt lock <span style="border: 1px solid black; padding: 0 2px;">A</span>	

### Prices for Steps 1-2.

<b>EA437</b>	\$3209
<b>EA437P</b>	\$3375
<b>EA437E</b>	\$3446

### Step 3. Casters

<b>BSC</b>	2" soft double wheel caster, hard floors or carpet, black <span style="border: 1px solid black; padding: 0 2px;">A</span>	+\$0
<b>MD</b>	2" soft double wheel caster, hard floors or carpet, chrome <span style="border: 1px solid black; padding: 0 2px;">A</span>	+\$0
<b>UD</b>	2" hard double wheel caster, carpet, black painted <span style="border: 1px solid black; padding: 0 2px;">A</span>	+\$0
<b>VD</b>	2" hard double wheel caster, carpet, chrome <span style="border: 1px solid black; padding: 0 2px;">A</span>	+\$0

### Step 4. Base Finish

<b>L</b>	polished aluminum <span style="border: 1px solid black; padding: 0 2px;">A</span>	+\$0
<b>BK</b>	black <span style="border: 1px solid black; padding: 0 2px;">A</span>	+\$28
<b>G2</b>	graphite satin <span style="border: 1px solid black; padding: 0 2px;">A</span>	+\$28
<b>91</b>	white <span style="border: 1px solid black; padding: 0 2px;">A</span>	+\$28

### Step 5. Frame Finish

#### *For polished aluminum (L)*

<b>L</b>	polished aluminum <span style="border: 1px solid black; padding: 0 2px;">A</span>	+\$0
----------	---	------

#### *For black (BK)*

<b>BK</b>	black <span style="border: 1px solid black; padding: 0 2px;">A</span>	+\$107
-----------	---	--------

#### *For graphite satin (G2)*

<b>G2</b>	graphite satin <span style="border: 1px solid black; padding: 0 2px;">A</span>	+\$107
-----------	--	--------

#### *For white (91)*

<b>91</b>	white <span style="border: 1px solid black; padding: 0 2px;">A</span>	+\$107
-----------	---	--------

### Step 6. Fabric

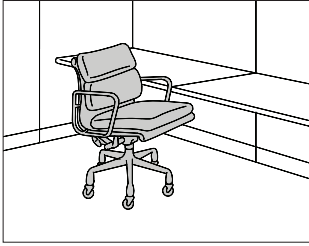
See application chart and textiles list for fabric usage and numbers.

First 2 digits of number indicate fabric line; remaining digit(s) indicate fabric color.

Price Category 1	+\$0
Price Category 2	+\$70
Price Category 3	+\$164
Price Category (Geiger) 3	+\$164
Price Category 4	+\$262
Price Category 5	+\$329
Price Category 6	+\$396
Price Category 7 <span style="border: 1px solid black; padding: 0 2px;">A</span>	+\$349
Price Category (Geiger) 7	+\$349
Price Category 9	+\$608
Price Category (Geiger) 10	+\$680
Price Category 11	+\$936
Price Category B	+\$99
Price Category D	+\$176
Price Category E	+\$213
Price Category F	+\$275
Price Category G	+\$358
Price Category H	+\$435
Price Category I	+\$511
Price Category J	+\$588
Price Category K	+\$664
Price Category L	+\$740
Price Category M	+\$817
Price Category N	+\$893
Price Category P	+\$1046
Price Category FF	+\$3699

Eames® Soft Pad Group  
Management Chair

EA434  
EA435



**Product Information**

**Description**

This low-back chair has a lightweight aluminum frame, 2"-thick upholstered foam cushions, and comes with or without arms. It has a 5-star base, tilt-swivel mechanism, and manual seat-height adjustment or pneumatic seat-height adjustment and tilt lock feature. The chair is available with casters or glides. The chair with glides includes 1/2" (GD) glides for hard floors or carpet.

**Notes**

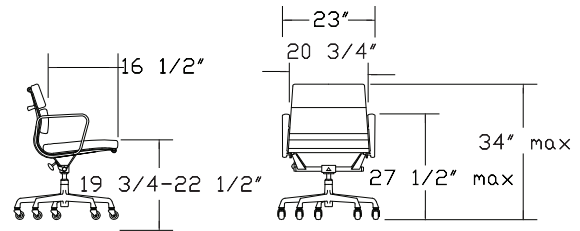
Chair is tested and warranted for use by persons 300 pounds and under. Chair sizes shown in illustrations are nominal.

For description of casters and glides, see Casters and Glides in Appendices.

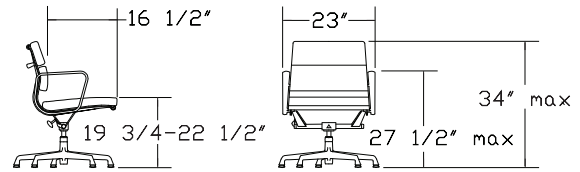
Customer's Own Material (COM) requires 2 1/2 yards. Customer's Own Leather (COL) requires 45 square feet. See Order Information in Appendices.

HermanMiller Collection—Work Chairs

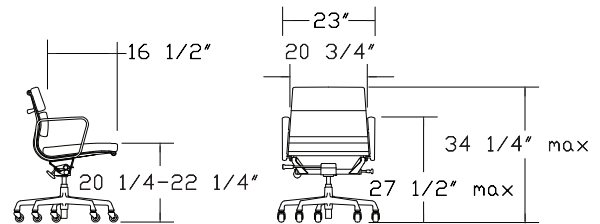
**Dimensions**



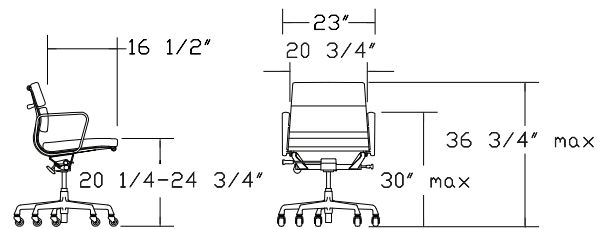
Casters



Glides



Pneumatic, standard-height range



Pneumatic, extended-height range

Eames® Soft Pad Group  
Management Chair *continued*

**Specification Information**

Step 1.

**EA43** A

Step 2. Casters/Glides/Seat-Height Adjustment

<b>5</b>	casters with manual seat-height adjustment <span style="border: 1px solid black; padding: 0 2px;">A</span>
<b>4</b>	glides with manual seat-height adjustment <span style="border: 1px solid black; padding: 0 2px;">A</span>
<b>5P</b>	casters with pneumatic seat-height adjustment, standard-height range with tilt lock <span style="border: 1px solid black; padding: 0 2px;">A</span>
<b>5E</b>	casters with pneumatic seat-height adjustment, extended-height range with tilt lock <span style="border: 1px solid black; padding: 0 2px;">A</span>
<b>5N</b>	casters with manual seat-height adjustment, no arms <span style="border: 1px solid black; padding: 0 2px;">A</span>
<b>5PN</b>	casters with pneumatic seat-height adjustment, no arms. standard-height range <span style="border: 1px solid black; padding: 0 2px;">A</span>
<b>5EN</b>	casters with pneumatic seat-height adjustment, no arms, extended-height range <span style="border: 1px solid black; padding: 0 2px;">A</span>

Prices for Steps 1-2.

<b>EA435</b>	\$2684
<b>EA434</b>	\$2684
<b>EA435P</b>	\$2851
<b>EA435E</b>	\$2923
<b>EA435N</b>	\$2238
<b>EA435PN</b>	\$2403
<b>EA435EN</b>	\$2474

Step 3. Casters

*For casters with manual seat-height adjustment (5), casters with pneumatic seat-height adjustment, standard-height range with tilt lock (5P), casters with pneumatic seat-height adjustment, extended-height range with tilt lock (5E), casters with manual seat-height adjustment, no arms (5N), casters with pneumatic seat-height adjustment, no arms. standard-height range (5PN), or casters with pneumatic seat-height adjustment, no arms, extended-height range (5EN)*

<b>BSC</b>	2" soft double wheel caster, hard floors or carpet, black <span style="border: 1px solid black; padding: 0 2px;">A</span>	+ \$0
<b>MD</b>	2" soft double wheel caster, hard floors or carpet, chrome <span style="border: 1px solid black; padding: 0 2px;">A</span>	+ \$0
<b>UD</b>	2" hard double wheel caster, carpet, black painted <span style="border: 1px solid black; padding: 0 2px;">A</span>	+ \$0
<b>VD</b>	2" hard double wheel caster, carpet, chrome <span style="border: 1px solid black; padding: 0 2px;">A</span>	+ \$0

Step 4. Base Finish

<b>L</b>	polished aluminum <span style="border: 1px solid black; padding: 0 2px;">A</span>	+ \$0
<b>BK</b>	black <span style="border: 1px solid black; padding: 0 2px;">A</span>	+ \$28
<b>G2</b>	graphite satin <span style="border: 1px solid black; padding: 0 2px;">A</span>	+ \$28
<b>91</b>	white <span style="border: 1px solid black; padding: 0 2px;">A</span>	+ \$28

Step 5. Frame Finish

*For polished aluminum (L)*

<b>L</b>	polished aluminum <span style="border: 1px solid black; padding: 0 2px;">A</span>	+ \$0
----------	---	-------

*For black (BK)*

<b>BK</b>	black <span style="border: 1px solid black; padding: 0 2px;">A</span>	+ \$107
-----------	---	---------

*For graphite satin (G2)*

<b>G2</b>	graphite satin <span style="border: 1px solid black; padding: 0 2px;">A</span>	+ \$107
-----------	--	---------

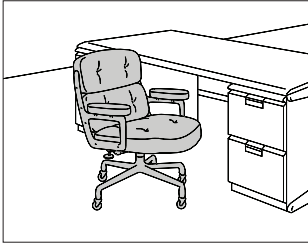
*For white (91)*

<b>91</b>	white <span style="border: 1px solid black; padding: 0 2px;">A</span>	+ \$107
-----------	---	---------

Step 6. Fabric

*See application chart and textiles list for fabric usage and numbers. First 2 digits of number indicate fabric line; remaining digit(s) indicate fabric color.*

Price Category 1	+ \$0
Price Category 2	+ \$70
Price Category 3	+ \$152
Price Category (Geiger) 3	+ \$152
Price Category 4	+ \$234
Price Category 5	+ \$282
Price Category 6	+ \$329
Price Category 7 <span style="border: 1px solid black; padding: 0 2px;">A</span>	+ \$288
Price Category (Geiger) 7	+ \$288
Price Category 9	+ \$574
Price Category (Geiger) 10	+ \$649
Price Category 11	+ \$768
Price Category B	+ \$64
Price Category D	+ \$0
Price Category E	+ \$175
Price Category F	+ \$245
Price Category G	+ \$314
Price Category H	+ \$418
Price Category I	+ \$523
Price Category J	+ \$621
Price Category K	+ \$708
Price Category L	+ \$796
Price Category M	+ \$883
Price Category N	+ \$0
Price Category P	+ \$0
Price Category FF	+ \$2973

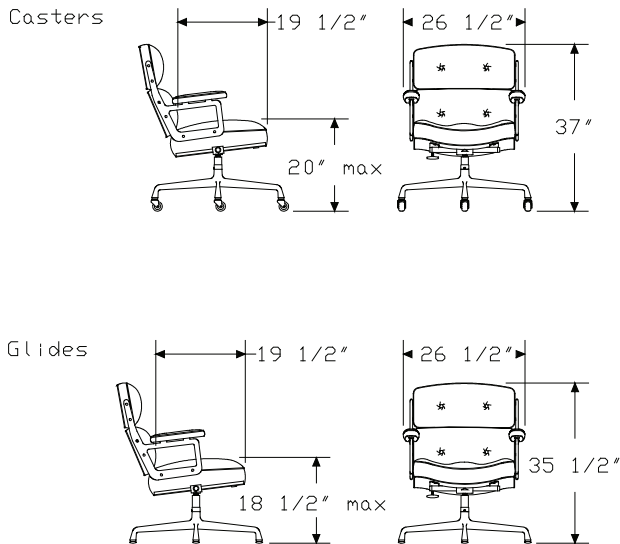


**Product Information**

**Description**  
 This upholstered chair has contoured seat and back cushions and padded armrests. The seat has a 4 1/2"-thick foam cushion and the back has 2 3"-thick foam cushions. It has a 5-star base, tilt-swivel mechanism, and seat-height adjustment. The chair is available with casters or glides. The chair with glides includes 1/2" (GD) glides for hard floors or carpet.

**Notes**  
 Chair is tested and warranted for use by persons 300 pounds and under. For description of casters and glides, see Casters and Glides in Appendices.  
 Customer's Own Material (COM) requires 3 yards. Customer's Own Leather (COL) requires 52 square feet. See Order Information in Appendices.

**Dimensions**



**Specification Information**

**Step 1.**  
**ES204** [A] \$3983

**Step 2. Casters/Glides**

<b>BSC</b>	2" soft double wheel caster, hard floors or carpet, black [A]	+\$0
<b>GD</b>	1/2" glide, hard floors or carpet [A]	+\$0
<b>MD</b>	2" soft double wheel caster, hard floors or carpet, chrome [A]	+\$0
<b>UD</b>	2" hard double wheel caster, carpet, black painted [A]	+\$0
<b>VD</b>	2" hard double wheel caster, carpet, chrome [A]	+\$0

**Step 3. Base Finish**

<b>L</b>	polished aluminum [A]	+\$0
<b>BK</b>	black [A]	+\$17
<b>G2</b>	graphite satin [A]	+\$17
<b>91</b>	white [A]	+\$22

**Step 4. Frame Finish**

*For polished aluminum (L)*

<b>L</b>	polished aluminum [A]	+\$0
----------	-----------------------	------

*For black (BK)*

<b>BK</b>	black [A]	+\$66
-----------	-----------	-------

*For graphite satin (G2)*

<b>G2</b>	graphite satin [A]	+\$66
-----------	--------------------	-------

*For white (91)*

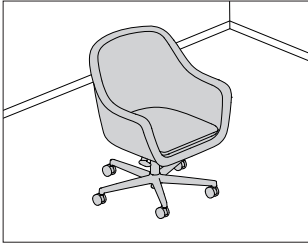
<b>91</b>	white [A]	+\$82
-----------	-----------	-------

**Step 5. Fabric**  
 See application chart and textiles list for fabric usage and numbers. First 2 digits of number indicate fabric line; remaining digit(s) indicate fabric color.

Price Category 1	+\$0
Price Category 2	+\$72
Price Category 3	+\$164
Price Category (Geiger) 3	+\$164
Price Category 4	+\$262
Price Category (Geiger) 4	+\$262
Price Category 5	+\$329
Price Category (Geiger) 5	+\$329
Price Category 6	+\$0
Price Category (Geiger) 6	+\$332

# Eames® Executive Chair *continued*

Price Category 7	+\$349
Price Category (Geiger) 7	+\$349
Price Category 9	+\$630
Price Category (Geiger) 10	+\$685
Price Category 11	+\$851
Price Category (Geiger) 11	+\$851
Price Category B	+\$99
Price Category D	+\$176
Price Category E	+\$213
Price Category F	+\$275
Price Category G	+\$358
Price Category H	+\$435
Price Category I	+\$511
Price Category J	+\$588
Price Category K	+\$664
Price Category L	+\$740
Price Category M	+\$817
Price Category N	+\$893
Price Category O	+\$1270
Price Category P	+\$1046
Price Category Q	+\$1126
Price Category R	+\$2098
Price Category V	+\$2434
Price Category FF	+\$3435



**Product Information**

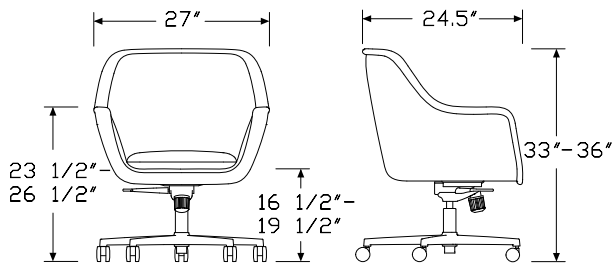
**Description**  
 This conference chair has upholstered inner and outer shells and arm cap, each made from one continuous piece of fabric or leather, and an upholstered seat cushion. The frame is rigid molded urethane with foam inserts, and seat and back are FR foam over rigid inserts. The 5-star swivel base is polished cast aluminum, available with several dual-wheel caster options.

**Notes**

Customers Own Material (COM) requires 2½ yards for the shell inside and outside, an additional 1¾ yards for the arm cap and cushion, or 4¾ yards when specify entire chair in the same fabric. See Order Information in Appendices.

Customers Own Leather (COL) requires 45 square feet for the shell inside and outside, an additional 31½ square feet for the arm cap and cushion, or 76½ yards when specify entire chair in the same leather. See Order Information in Appendices.

**Dimensions**



**Specification Information**

<b>Step 1.</b>	
<b>SBR5N</b> <span style="border: 1px solid black; padding: 0 2px;">A</span>	\$1951
<b>Step 2. Shell Upholstery</b>	
Price Category 1	+\$0
Price Category (Geiger) 2	+\$0
Price Category 2	+\$118
Price Category (Geiger) 3	+\$148
Price Category 3	+\$148
Price Category (Geiger) 4	+\$180
Price Category 4	+\$180
Price Category (Geiger) 5	+\$263
Price Category 5	+\$263
Price Category (Geiger) 6	+\$345
Price Category (Geiger) 7	+\$428
Price Category (Geiger) 8	+\$655
Price Category 9	+\$813
Price Category (Geiger) 10	+\$935
Price Category (Geiger) 11	+\$1048
Price Category 11	+\$1048
Price Category (Geiger) 14	+\$0
Price Category (Geiger) D	+\$175
Price Category (Geiger) E	+\$213
Price Category (Geiger) F	+\$255
Price Category (Geiger) G	+\$348
Price Category (Geiger) H	+\$433
Price Category (Geiger) I	+\$523
Price Category (Geiger) J	+\$613
Price Category (Geiger) K	+\$703
Price Category (Geiger) L	+\$793
Price Category (Geiger) M	+\$883
Price Category (Geiger) N	+\$973
Price Category (Geiger) O	+\$1063
Price Category (Geiger) P	+\$1150
Price Category (Geiger) Q	+\$1328
Price Category (Geiger) R	+\$1850
Price Category (Geiger) S	+\$1988
Price Category (Geiger) T	+\$2125
Price Category (Geiger) U	+\$2263
Price Category (Geiger) X	+\$2675
Price Category (Geiger) Y	+\$2813
Price Category (Geiger) COL <span style="border: 1px solid black; padding: 0 2px;">A</span>	+\$135
Price Category (Geiger) COM <span style="border: 1px solid black; padding: 0 2px;">A</span>	+\$0
Price Category FF	+\$0



# Bumper Conference Chair *continued*

Step 3. Arm Cap and Cushion Upholstery	
Price Category 1	+\$0
Price Category 2	+\$82
Price Category (Geiger) 3	+\$103
Price Category 3	+\$103
Price Category (Geiger) 4	+\$126
Price Category 4	+\$126
Price Category (Geiger) 5	+\$184
Price Category 5	+\$184
Price Category (Geiger) 6	+\$242
Price Category (Geiger) 7	+\$299
Price Category (Geiger) 8	+\$459
Price Category 9	+\$569
Price Category (Geiger) 10	+\$655
Price Category (Geiger) 11	+\$733
Price Category 11	+\$733
Price Category (Geiger) 14	+\$0
Price Category (Geiger) D	+\$123
Price Category (Geiger) E	+\$149
Price Category (Geiger) F	+\$179
Price Category (Geiger) G	+\$243
Price Category (Geiger) H	+\$303
Price Category (Geiger) I	+\$366
Price Category (Geiger) J	+\$429
Price Category (Geiger) K	+\$492
Price Category (Geiger) L	+\$555
Price Category (Geiger) M	+\$618
Price Category (Geiger) O	+\$744
Price Category (Geiger) P	+\$805
Price Category (Geiger) Q	+\$929
Price Category (Geiger) R	+\$1295
Price Category (Geiger) S	+\$1391
Price Category (Geiger) X	+\$1873
Price Category (Geiger) Y	+\$1969
Price Category (Geiger) COM <input type="checkbox"/>	+\$0
Price Category (Geiger) COL <input type="checkbox"/>	+\$306

Step 4. Base Finish	
<b>CD</b> polished aluminum <input type="checkbox"/>	+\$0

Step 5. Caster Option	
<b>AA</b> 2½" hard double wheel caster, polished cast aluminum yoke, carpet <input type="checkbox"/>	+\$35
<b>BB</b> 2½" hard caster, black yoke, carpet only <input type="checkbox"/>	+\$0
<b>C7</b> 2½" caster, black yoke, hard floors or carpet <input type="checkbox"/>	+\$35

Step 6. Fire Retardancy	
<b>NOCAL</b> not fire retardant <input type="checkbox"/>	+\$0
<b>133</b> fire retardant <input type="checkbox"/>	+\$276

# Saiba Multitask Chair

SBN3H  
SBN3M



## Product Information

### Description

This swivel chair has a high back or mid back and a 5-star base with dual wheel casters. It has a tilt mechanism with lock and an adjustable height range of 4 1/4". Seat frame is rigid urethane with polyurethane foam. Cushion is high density FR foam.

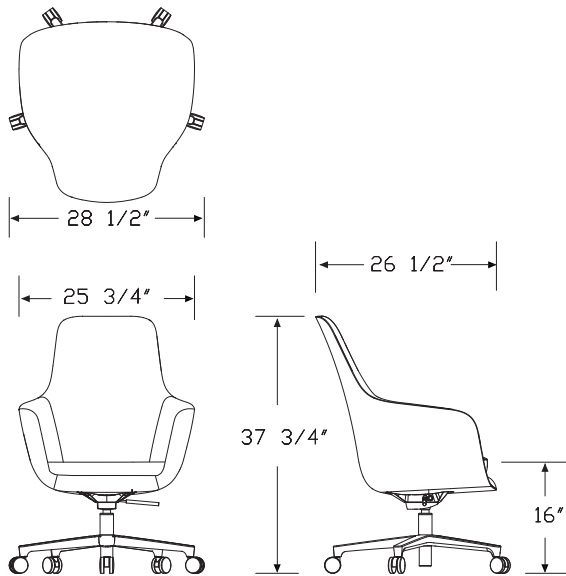
### Notes

Cylinder and mechanism color will match base finish.

Casters available only in black.

Customer's Own Material (COM) requires 3 yards for high back (H) or 2 3/4 yards for mid back (M). Customer's Own Leather (COL) requires 54 square feet for high back (H) or 49 1/2 square feet for mid back (M). See Order Information in appendices.

## Dimensions



HermanMiller Collection—Work Chairs

## Specification Information

### Step 1.

**SBN3**

### Step 2. Back Height

**M** mid back

**H** high back

### Prices for Steps 1-2.

<b>SBN3M</b>	\$2150
<b>SBN3H</b>	\$2250

### Step 3. Upholstery

	<b>M</b>	<b>H</b>
Price Category (Geiger) COM <input type="checkbox"/>	+\$0	0
Price Category 1	+\$0	0
Price Category (Geiger) 2	+\$0	0
Price Category 2	+\$129	177
Price Category (Geiger) 3	+\$162	177
Price Category (Geiger) 4	+\$198	216
Price Category (Geiger) 5	+\$289	315
Price Category 5	+\$289	315
Price Category (Geiger) 7	+\$470	513
Price Category 9	+\$894	975
Price Category (Geiger) 10	+\$1029	1122
Price Category (Geiger) 11	+\$1152	1257
Price Category 11	+\$1152	1257
Price Category (Geiger) H	+\$476	519

### Step 4. Base Finish

<b>BK</b> black <input type="checkbox"/>	+\$0
<b>CD</b> polished aluminum <input type="checkbox"/>	+\$0

### Step 5. Caster Option

<b>BB</b> hard dual wheels, black yoke <input type="checkbox"/>	+\$0
<b>C7</b> soft dual wheels, black yoke <input type="checkbox"/>	+\$35

### Step 6. Fire Retardancy

	<b>M</b>	<b>H</b>
<b>NOCAL</b> no cal-133 required <input type="checkbox"/>	+\$0	0
<b>133</b> cal-133 required <input type="checkbox"/>	+\$179	195

# Taper Chair

SFA1P  
SFA1S  
SFA1T  
SFA2P  
SFA2S  
SFA2T



### Product Information

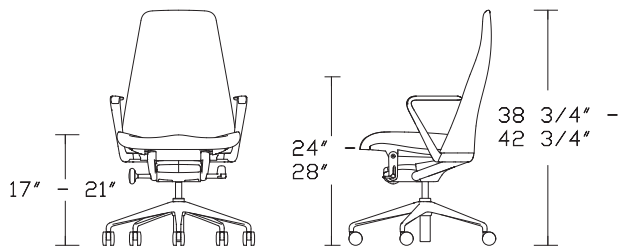
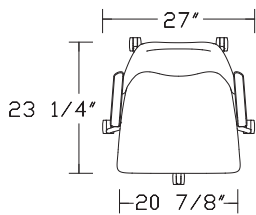
#### Description

This upholstered executive chair has a contoured high back that provides zonal support. The tilt mechanism uses a pair of adjustable carbon fiber leaf springs that control resistance. The suspended seat uses SuperSeat™ technology to create a deep seat pocket and responsive surface. This chair has a 5-star base with casters and pneumatic seat height adjustment. Fixed-height arms can be specified with either urethane or upholstery options.

#### Notes

Customer's Own Material (COM) requires 1¾ yards. Customer's Own Leather (COL) requires 31½ square feet. See Order Information in appendices.

#### Dimensions



### Specification Information

#### Step 1.

SF  A

#### Step 2. Back Height

A high back, full function tilt  A

#### Step 3. Arms

1 upholstered arms  A

2 urethane arms  A

#### Step 4. Stitching Detail

P lapped edge with coordinating thread  A

S single stitch with contrasting thread  A

T single stitch with coordinating thread  A

#### Prices for Steps 1-4.

<b>SFA1P</b>	\$1995
<b>SFA1S</b>	\$1945
<b>SFA1T</b>	\$1895
<b>SFA2P</b>	\$1875
<b>SFA2S</b>	\$1825
<b>SFA2T</b>	\$1775

#### Step 5. Upholstery

*For single stitch with contrasting thread (S) or single stitch with coordinating thread (T)*

Price Category (Geiger) COL <input type="checkbox"/> A	+\$126
Price Category (Geiger) COM <input type="checkbox"/> A	+\$0
Price Category (Geiger) 3	+\$104
Price Category (Geiger) 4	+\$126
Price Category (Geiger) 5	+\$184
Price Category (Geiger) 7	+\$300
Price Category 9	+\$569
Price Category (Geiger) 10	+\$655
Price Category (Geiger) 11	+\$734
Price Category 11	+\$734

*For lapped edge with coordinating thread (P)*

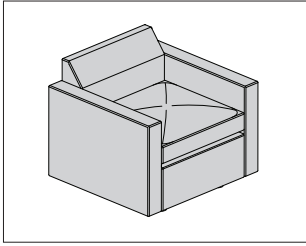
Price Category (Geiger) COL <input type="checkbox"/> A	+\$126
Price Category 9	+\$569
Price Category (Geiger) 10	+\$655
Price Category (Geiger) 11	+\$734
Price Category 11	+\$734

# Taper Chair *continued*

Step 6. Arm Upholstery		
<i>For upholstered arms (1)</i>		
Price Category (Geiger) 4		+\$8
Price Category 9		+\$33
Price Category (Geiger) 10		+\$38
Price Category (Geiger) 11		+\$42
Price Category 11		+\$42
Price Category (Geiger) COL	A	+\$0
Step 7. Arm/Base Finish		
<b>CD</b>	polished aluminum	A \$0
<b>G1</b>	graphite	A \$0
Step 8. Casters		
<b>BB</b>	2½" hard caster, black yoke, carpet only	A \$0
<b>C7</b>	2½" caster, black yoke, hard floors or carpet	A \$35
Step 9. Fire Retardancy		
<b>133</b>	cal-133 required	A \$98
<b>NOCAL</b>	no cal-133 required	A \$0

# Bevel Club Chair

AL6C1



### Product Information

#### Description

This chair features wood frame construction, fire retardant free foam and down topper. Legs are wood in ebony finish. Ganging hardware included.

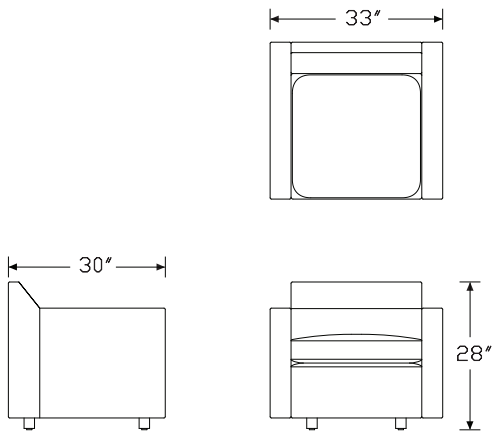
#### Notes

Handedness is determined from a seated position.

Customer's Own Material (COM) requires 8 yards. Customer's Own Leather (COL) requires 144 square feet. See Order Information in Appendices.

Limited textile selection available. See application chart in appendices.

#### Dimensions



### Specification Information

#### Step 1.

**AL6C**  A

#### Step 2. Configuration

**1000** club chair  A

#### Prices for Steps 1-2.

**AL6C1000** \$2739

#### Step 3. Leg Finish

**EN** ebony  A +\$0

#### Step 4. Fabric

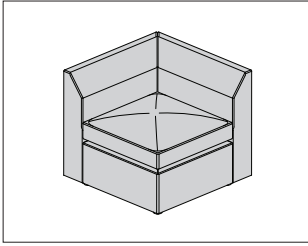
Price Category 1 <input type="checkbox"/> A	+\$0
Price Category 2	+\$20
Price Category 3	+\$100
Price Category (Geiger) 3	+\$107
Price Category 4	+\$300
Price Category 5	+\$325
Price Category 7	+\$592
Price Category (Geiger) 7	+\$415
Price Category 9	+\$1479
Price Category 10	+\$1245
Price Category 11	+\$1689
Price Category 14	+\$2155
Price Category E	+\$333
Price Category G	+\$947
Price Category H	+\$1152
Price Category J	+\$1556

#### Step 5. Fire Retardancy

<b>NFR</b> not fire retardant <input type="checkbox"/> A	+\$0
<b>FR</b> fire retardant <input type="checkbox"/> A	+\$150

# Bevel Corner

AL6C1



## Product Information

### Description

This corner features wood frame construction, fire retardant free foam and down topper. Legs are wood in ebony finish. Ganging hardware included.

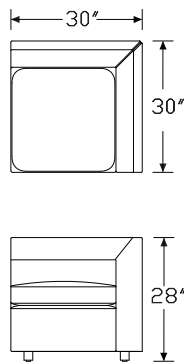
### Notes

Handedness is determined from a seated position.

Customer's Own Material (COM) requires 8 yards. Customer's Own Leather (COL) requires 144 square feet. See Order Information in Appendices.

Limited textile selection available. See application chart in appendices.

## Dimensions



HermanMiller Collection—Sofas

## Specification Information

### Step 1.

**AL6C** A

### Step 2. Configuration

**1005** corner A

### Prices for Steps 1-2.

**AL6C1005** \$2626

### Step 3. Leg Finish

**EN** ebony A +\$0

### Step 4. Fabric

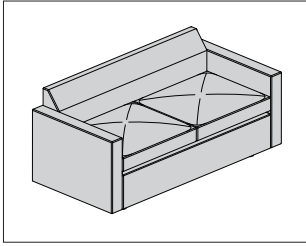
Price Category 1 <span style="border: 1px solid black; padding: 0 2px;">A</span>	+\$0
Price Category 2	+\$20
Price Category 3	+\$100
Price Category (Geiger) 3	+\$50
Price Category 4	+\$300
Price Category 5	+\$400
Price Category 7	+\$728
Price Category (Geiger) 7	+\$360
Price Category 9	+\$1245
Price Category 10	+\$1219
Price Category 11	+\$1415
Price Category 14	+\$2155
Price Category E	+\$288
Price Category G	+\$663
Price Category H	+\$806
Price Category J	+\$1089

### Step 5. Fire Retardancy

<b>NFR</b> not fire retardant <span style="border: 1px solid black; padding: 0 2px;">A</span>	+\$0
<b>FR</b> fire retardant <span style="border: 1px solid black; padding: 0 2px;">A</span>	+\$0

# Bevel Settee

AL6C1



### Product Information

#### Description

This settee features wood frame construction, fire retardant free foam and down topper. It is available with or without arms or in left-arm or right-arm configuration. Legs are wood in ebony finish. Ganging hardware included. Shipped on end.

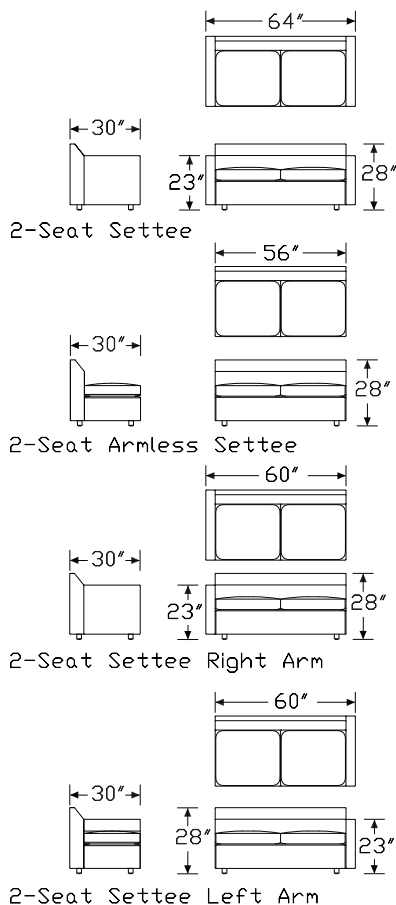
#### Notes

Handedness is determined from a seated position.

Customer's Own Material (COM) requires 12 yards. Customer's Own Leather (COL) requires 216 square feet. See Order Information in Appendices.

Limited textile selection available. See application chart in appendices.

#### Dimensions



### Specification Information

#### Step 1.

**AL6C**

#### Step 2. Configuration

**1002** 2-seat settee

**1002A** 2-seat armless settee

**1002R** 2-seat settee right arm

**1002L** 2-seat settee left arm

#### Prices for Steps 1-2.

<b>AL6C1002</b>	\$3580
<b>AL6C1002A</b>	\$3168
<b>AL6C1002R</b>	\$3357
<b>AL6C1002L</b>	\$3357

#### Step 3. Leg Finish

**EN** ebony  +\$0

#### Step 4. Fabric

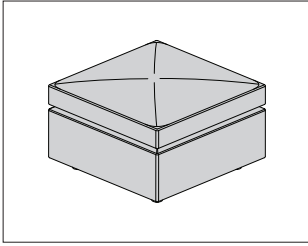
Price Category 1 <input type="checkbox"/>	+\$0
Price Category 2	+\$40
Price Category 3	+\$200
Price Category (Geiger) 3	+\$76
Price Category 4	+\$300
Price Category 5	+\$415
Price Category 7	+\$755
Price Category (Geiger) 7	+\$554
Price Category 9	+\$2379
Price Category 10	+\$1565
Price Category 11	+\$2709
Price Category 14	+\$2770
Price Category E	+\$443
Price Category G	+\$1405
Price Category H	+\$1727
Price Category J	+\$2255

#### Step 5. Fire Retardancy

<b>NFR</b> not fire retardant <input type="checkbox"/>	+\$0
<b>FR</b> fire retardant <input type="checkbox"/>	+\$300

# Bevel Ottoman

AL6C0



### Product Information

#### Description

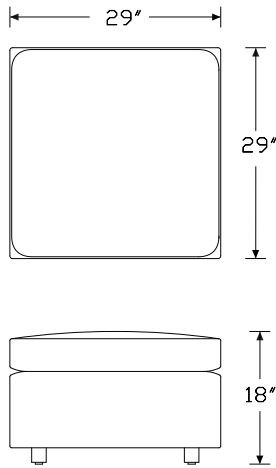
This ottoman features wood frame construction, fire retardant free foam and down topper. Legs are wood in ebony finish. Ganging hardware included.

#### Notes

Customer's Own Material (COM) requires 4 yards. Customer's Own Leather (COL) requires 72 square feet. See Order Information in Appendices.

Limited textile selection available. See application chart in appendices.

#### Dimensions



HermanMiller Collection—Sofas

### Specification Information

#### Step 1.

**AL6C**  A

#### Step 2. Configuration

**0400** ottoman  A

#### Prices for Steps 1-2.

**AL6C0400** \$1895

#### Step 3. Leg Finish

**EN** ebony  A +\$0

#### Step 4. Fabric

Price Category 1 <input type="checkbox"/> A	+\$0
Price Category 2	+\$15
Price Category 3	+\$30
Price Category (Geiger) 3	+\$34
Price Category 4	+\$75
Price Category 5	+\$195
Price Category 7	+\$355
Price Category (Geiger) 7	+\$249
Price Category 9	+\$869
Price Category 10	+\$715
Price Category 11	+\$995
Price Category 14	+\$1239
Price Category E	+\$200
Price Category G	+\$474
Price Category H	+\$576
Price Category J	+\$778

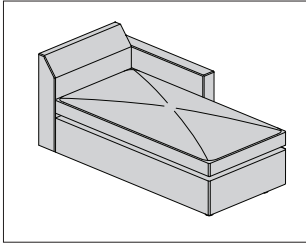
#### Step 5. Fire Retardancy

<b>NFR</b> not fire retardant <input type="checkbox"/> A	+\$0
<b>FR</b> fire retardant <input type="checkbox"/> A	+\$100



# Bevel Chaise

AL6C1



### Product Information

#### Description

This chaise features wood frame construction, fire retardant free foam and down topper. It is available in left-arm or right-arm configuration. Legs are wood in ebony finish. Ganging hardware included. Shipped on end.

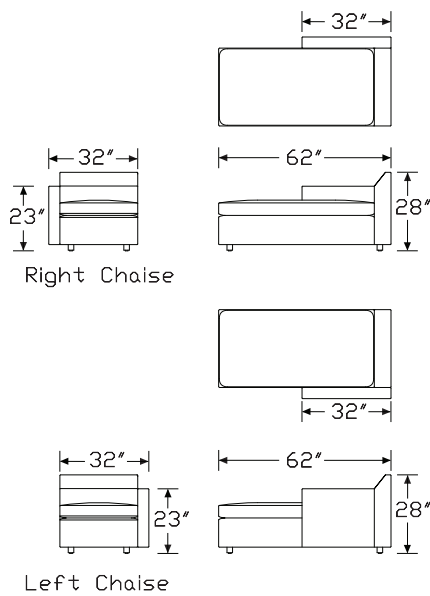
#### Notes

Handedness is determined from a seated position.

Customer's Own Material (COM) requires 8 yards. Customer's Own Leather (COL) requires 144 square feet. See Order Information in Appendices.

Limited textile selection available. See application chart in appendices.

#### Dimensions



### Specification Information

#### Step 1.

**AL6C**  A

#### Step 2. Direction

**1004L** left chaise  A

**1004R** right chaise  A

#### Prices for Steps 1-2.

<b>AL6C1004L</b>	\$3415
<b>AL6C1004R</b>	\$3415

#### Step 3. Leg Finish

**EN** ebony  A + \$0

#### Step 4. Fabric

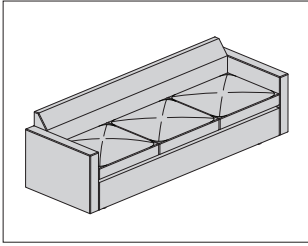
Price Category 1 <input type="checkbox"/> A	+ \$0
Price Category 2	+ \$40
Price Category 3	+ \$105
Price Category (Geiger) 3	+ \$76
Price Category 4	+ \$350
Price Category 5	+ \$419
Price Category 7	+ \$763
Price Category (Geiger) 7	+ \$554
Price Category 9	+ \$2119
Price Category 10	+ \$1565
Price Category 11	+ \$2409
Price Category 14	+ \$2779
Price Category E	+ \$443
Price Category G	+ \$947
Price Category H	+ \$1152
Price Category J	+ \$1556

#### Step 5. Fire Retardancy

<b>NFR</b> not fire retardant <input type="checkbox"/> A	+ \$0
<b>FR</b> fire retardant <input type="checkbox"/> A	+ \$250

Bevel Sofa

AL6C1



**Product Information**

**Description**

This sofa features wood frame construction, fire retardant free foam and down topper. It is available with or without arms or in left-arm or right-arm configuration. Legs are wood in ebony finish. Ganging hardware included. Shipped on end.

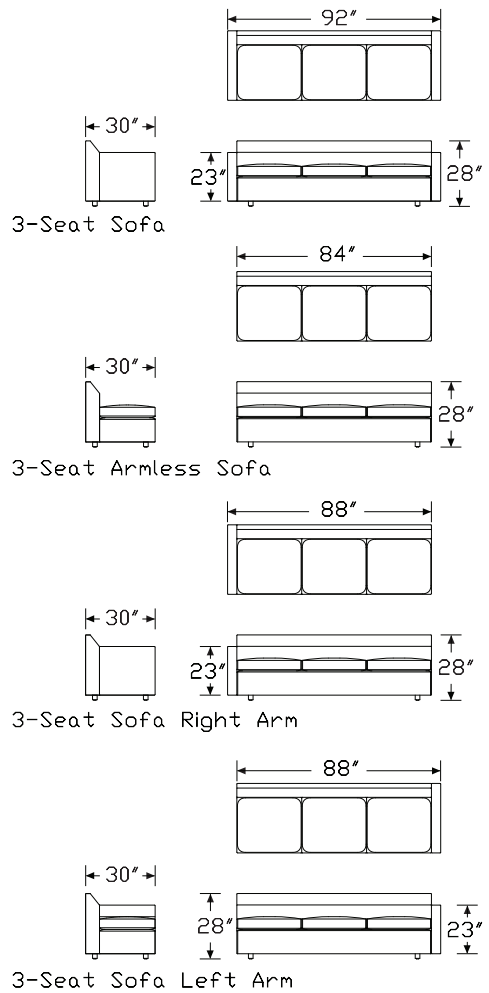
**Notes**

Handedness is determined from a seated position.

Customer's Own Material (COM) requires 12 yards. Customer's Own Leather (COL) requires 216 square feet. See Order Information in Appendices.

Limited textile selection available. See application chart in appendices.

**Dimensions**



**Specification Information**

Step 1.

**AL6C**

Step 2. Configuration

**1003** 3-seat sofa

**1003A** 3-seat armless sofa

**1003R** 3-seat sofa right arm

**1003L** 3-seat sofa left arm

Prices for Steps 1-2.

<b>AL6C1003</b>	\$4527
<b>AL6C1003A</b>	\$4109
<b>AL6C1003R</b>	\$4301
<b>AL6C1003L</b>	\$4301

Step 3. Leg Finish

**EN** ebony  +\$0

Step 4. Fabric

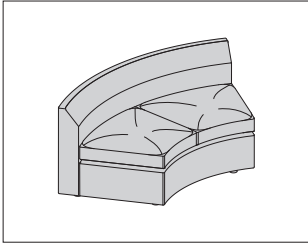
Price Category 1 <input type="checkbox"/>	+\$0
Price Category 2	+\$60
Price Category 3	+\$250
Price Category (Geiger) 3	+\$114
Price Category 4	+\$450
Price Category 5	+\$515
Price Category 7	+\$937
Price Category (Geiger) 7	+\$886
Price Category 9	+\$3205
Price Category 10	+\$1915
Price Category 11	+\$3635
Price Category 14	+\$3389
Price Category E	+\$665
Price Category G	+\$1421
Price Category H	+\$1727
Price Category J	+\$1765

Step 5. Fire Retardancy

<b>NFR</b> not fire retardant <input type="checkbox"/>	+\$0
<b>FR</b> fire retardant <input type="checkbox"/>	+\$350

# Bevel Curved Settee

AL6C2  
AL6C3



### Product Information

#### Description

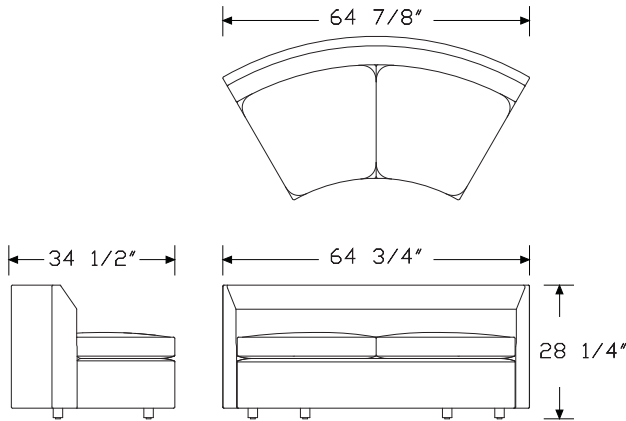
This curved settee features wood frame construction, fire retardant free foam and down topper. Legs are wood in ebony finish. Ganging hardware included.

#### Notes

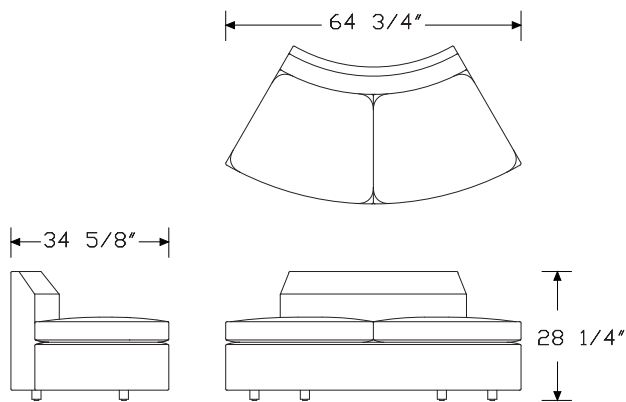
Customer's Own Material (COM) requires 5 yards. Customer's Own Leather (COL) requires 83 square feet. See Order Information in Appendices.

Limited textile selection available. See application chart in appendices.

### Dimensions



Curved Settee - Inside Curve



Curved Settee - Outside Curve

### Specification Information

#### Step 1.

AL6C A

#### Step 2. Configuration

2000 inside curve A

3000 outside curve A

#### Prices for Steps 1-2.

AL6C2000	\$3400
AL6C3000	\$3400

#### Step 3. Leg Finish

EN ebony A +\$0

#### Step 4. Fabric

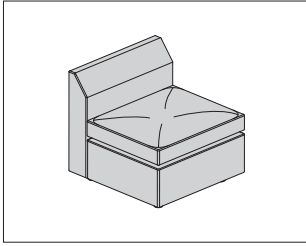
Price Category 1 <span style="border: 1px solid black; padding: 0 2px;">A</span>	+\$0
Price Category 2	+\$40
Price Category 3	+\$76
Price Category (Geiger) 3	+\$72
Price Category 4	+\$174
Price Category 5	+\$297
Price Category 7	+\$755
Price Category (Geiger) 7	+\$526
Price Category 9	+\$2379
Price Category 10	+\$1089
Price Category 11	+\$1269
Price Category 14	+\$2770
Price Category E	+\$421
Price Category G	+\$947
Price Category H	+\$1152
Price Category J	+\$1556

#### Step 5. Fire Retardancy

NFR not fire retardant <span style="border: 1px solid black; padding: 0 2px;">A</span>	+\$0
FR fire retardant <span style="border: 1px solid black; padding: 0 2px;">A</span>	+\$300

# Bevel Single Seat

AL6C0



### Product Information

#### Description

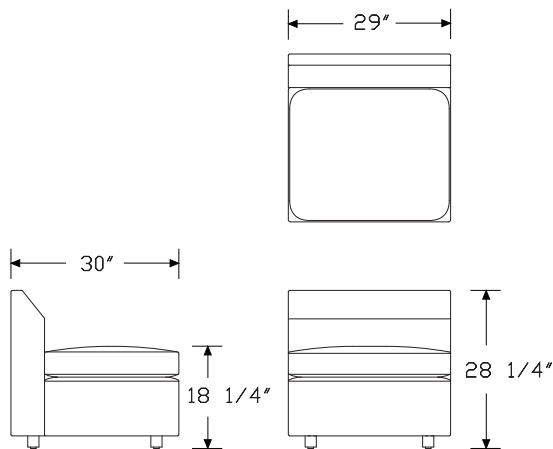
This single seat features wood frame construction, fire retardant free foam and down topper. Legs are wood in ebony finish. Ganging hardware included.

#### Notes

Customer's Own Material (COM) requires 5 yards. Customer's Own Leather (COL) requires 49 square feet. See Order Information in Appendices.

Limited textile selection available. See application chart in appendices.

#### Dimensions



### Specification Information

#### Step 1.

**AL6C**  A

#### Step 2. Configuration

**0800** single seat  A

#### Prices for Steps 1-2.

**AL6C0800** \$2259

#### Step 3. Leg Finish

**EN** ebony  A +\$0

#### Step 4. Fabric

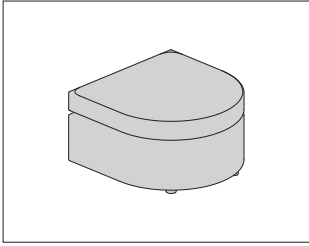
Price Category 1 <input type="checkbox"/> A	+\$0
Price Category 2	+\$20
Price Category 3	+\$46
Price Category (Geiger) 3	+\$42
Price Category 4	+\$105
Price Category 5	+\$178
Price Category 7	+\$332
Price Category (Geiger) 7	+\$305
Price Category 9	+\$1479
Price Category 10	+\$653
Price Category 11	+\$761
Price Category 14	+\$2155
Price Category E	+\$244
Price Category G	+\$663
Price Category H	+\$806
Price Category J	+\$1089

#### Step 5. Fire Retardancy

<b>NFR</b> not fire retardant <input type="checkbox"/> A	+\$0
<b>FR</b> fire retardant <input type="checkbox"/> A	+\$150

# Bevel Rounded Ottoman

AL6C0



## Product Information

### Description

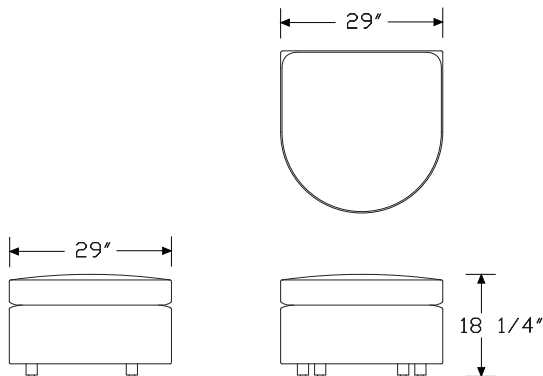
This rounded ottoman features wood frame construction, fire retardant free foam and down topper. Legs are wood in ebony finish. Connection hardware included.

### Notes

Customer's Own Material (COM) requires 2½ yards. Customer's Own Leather (COL) requires 35 square feet. See Order Information in Appendices.

Limited textile selection available. See application chart in appendices.

### Dimensions



## Specification Information

### Step 1.

**AL6C**  A

### Step 2. Configuration

**0600** rounded ottoman  A

### Prices for Steps 1-2.

**AL6C0600** \$2089

### Step 3. Leg Finish

**EN** ebony  A +\$0

### Step 4. Fabric

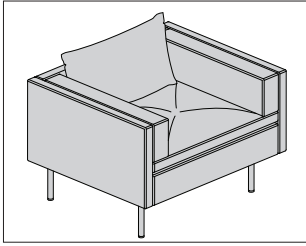
Price Category 1 <input type="checkbox"/> A	+\$0
Price Category 2	+\$15
Price Category 3	+\$38
Price Category (Geiger) 3	+\$34
Price Category 4	+\$87
Price Category 5	+\$149
Price Category 7	+\$277
Price Category (Geiger) 7	+\$222
Price Category 9	+\$869
Price Category 10	+\$544
Price Category 11	+\$634
Price Category 14	+\$1239
Price Category E	+\$177
Price Category G	+\$474
Price Category H	+\$576
Price Category J	+\$778

### Step 5. Fire Retardancy

<b>NFR</b> not fire retardant <input type="checkbox"/> A	+\$0
<b>FR</b> fire retardant <input type="checkbox"/> A	+\$100

# Bolster Club Chair

AL1C1



### Product Information

#### Description

This chair features wood frame construction, fire retardant free foam and down topper. Base finish is brushed stainless. Ganging hardware included.

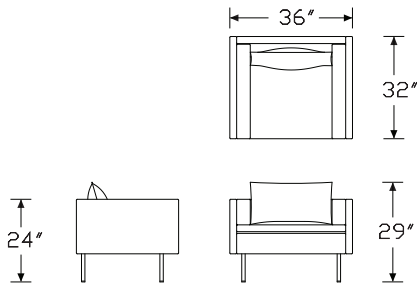
#### Notes

Handedness is determined from a seated position.

Customer's Own Material (COM) requires 8 yards. Customer's Own Leather (COL) requires 144 square feet. See Order Information in Appendices.

Limited textile selection available. See application chart in appendices.

#### Dimensions



### Specification Information

#### Step 1.

**AL1C** A

#### Step 2. Configuration

**1000** club chair A

#### Step 3. Upholstery Assignment

**S** single fabric A

#### Prices for Steps 1-3.

**AL1C1000 S** \$3100

#### Step 4. Leg Finish

**BRS** brushed stainless A +\$0

#### Step 5. Fabric

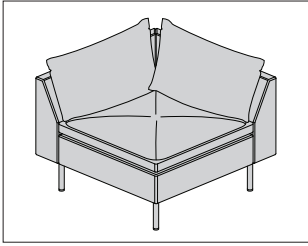
Price Category 1 <span style="border: 1px solid black; padding: 0 2px;">A</span>	+\$0
Price Category 2	+\$451
Price Category 3	+\$541
Price Category (Geiger) 3	+\$80
Price Category 4	+\$704
Price Category 5	+\$760
Price Category 7	+\$1186
Price Category (Geiger) 7	+\$554
Price Category 9	+\$2631
Price Category 10	+\$1655
Price Category 11	+\$2926
Price Category 14	+\$2592
Price Category E	+\$443
Price Category G	+\$947
Price Category H	+\$1152
Price Category J	+\$1556

#### Step 6. Fire Retardancy

<b>NFR</b> not fire retardant <span style="border: 1px solid black; padding: 0 2px;">A</span>	+\$0
<b>FR</b> fire retardant <span style="border: 1px solid black; padding: 0 2px;">A</span>	+\$150

# Bolster Corner

AL1C1



### Product Information

#### Description

This corner features wood frame construction, fire retardant free foam and down topper. Base finish is brushed stainless. Ganging hardware included.

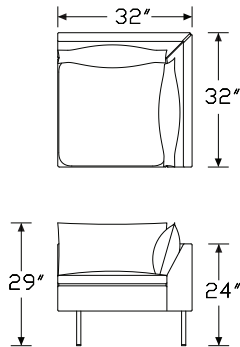
#### Notes

Handedness is determined from a seated position.

Customer's Own Material (COM) requires 8 yards. Customer's Own Leather (COL) requires 101 square feet. See Order Information in Appendices.

Limited textile selection available. See application chart in appendices.

#### Dimensions



HermanMiller Collection—Sofas

### Specification Information

#### Step 1.

**AL1C**  A

#### Step 2. Configuration

**1005** corner  A

#### Step 3. Upholstery Assignment

**S** single fabric  A

#### Prices for Steps 1-3.

**AL1C1005 S** \$2724

#### Step 4. Leg Finish

**BRS** brushed stainless  A +\$0

#### Step 5. Fabric

Price Category 1 <input type="checkbox"/> A	+\$0
Price Category 2	+\$422
Price Category 3	+\$506
Price Category (Geiger) 3	+\$59
Price Category 4	+\$658
Price Category 5	+\$732
Price Category 7	+\$1142
Price Category (Geiger) 7	+\$421
Price Category 9	+\$1966
Price Category 10	+\$1627
Price Category 11	+\$2185
Price Category 14	+\$2564
Price Category E	+\$346
Price Category G	+\$663
Price Category H	+\$806
Price Category J	+\$1089

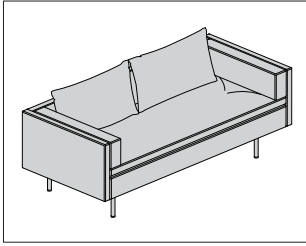
#### Step 6. Fire Retardancy

<b>NFR</b> not fire retardant <input type="checkbox"/> A	+\$0
<b>FR</b> fire retardant <input type="checkbox"/> A	+\$150



# Bolster Settee

AL1C1



### Product Information

#### Description

This settee features wood frame construction, fire retardant free foam and down topper. It is available with or without arms or in left-arm or right-arm configuration. Base finish is brushed stainless. Ganging hardware included. Shipped on end.

#### Notes

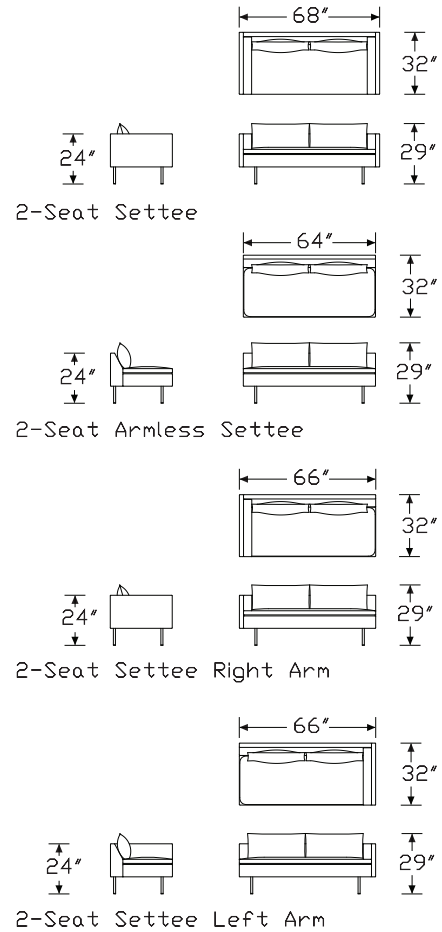
Handedness is determined from a seated position.

Fabric is railroaded.

Customer's Own Material (COM) requires 12 yards. Customer's Own Leather (COL) requires 140 square feet. See Order Information in Appendices.

Limited textile selection available. See application chart in appendices.

### Dimensions

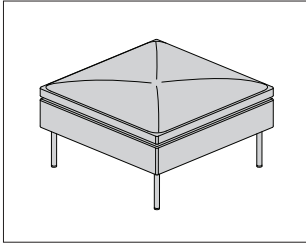


# Bolster Settee *continued*

Specification Information	
Step 1.	
<b>AL1C</b>	<input type="checkbox"/> A
Step 2. Configuration	
<b>1002</b>	2-seat settee <input type="checkbox"/> A
<b>1002A</b>	2-seat armless settee <input type="checkbox"/> A
<b>1002R</b>	2-seat settee right arm <input type="checkbox"/> A
<b>1002L</b>	2-seat settee left arm <input type="checkbox"/> A
Step 3. Upholstery Assignment	
<b>S</b>	single fabric <input type="checkbox"/> A
Prices for Steps 1-3.	
<b>AL1C1002 S</b>	\$4190
<b>AL1C1002A S</b>	\$3441
<b>AL1C1002R S</b>	\$3815
<b>AL1C1002L S</b>	\$3815
Step 4. Leg Finish	
<b>BRS</b>	brushed stainless <input type="checkbox"/> A +\$0
Step 5. Fabric	
Price Category 1	<input type="checkbox"/> A +\$0
Price Category 2	+\$657
Price Category 3	+\$788
Price Category (Geiger) 3	+\$84
Price Category 4	+\$1025
Price Category 5	+\$1143
Price Category 7	+\$1783
Price Category (Geiger) 7	+\$609
Price Category 9	+\$3802
Price Category 10	+\$2550
Price Category 11	+\$4233
Price Category 14	+\$4022
Price Category E	+\$488
Price Category G	+\$1421
Price Category H	+\$1727
Price Category J	+\$2333
Step 6. Fire Retardancy	
<b>NFR</b>	not fire retardant <input type="checkbox"/> A +\$0
<b>FR</b>	fire retardant <input type="checkbox"/> A +\$300

# Bolster Ottoman

AL1C0



### Product Information

#### Description

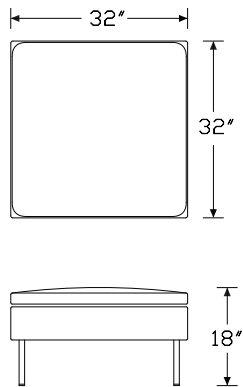
This ottoman features wood frame construction, fire retardant free foam and down topper. Base finish is brushed stainless. Ganging hardware included.

#### Notes

Customer's Own Material (COM) requires 4 yards. Customer's Own Leather (COL) requires 72 square feet. See Order Information in Appendices.

Limited textile selection available. See application chart in appendices.

#### Dimensions



### Specification Information

#### Step 1.

**AL1C**

#### Step 2. Configuration

**0400** ottoman

#### Prices for Steps 1-2.

**AL1C0400** \$1881

#### Step 3. Leg Finish

**BRS** brushed stainless  +\$0

#### Step 4. Fabric

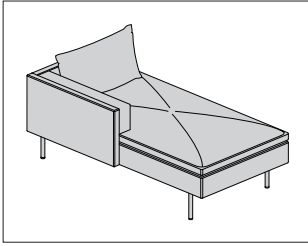
Price Category 1 <input type="checkbox"/>	+\$0
Price Category 2	+\$266
Price Category 3	+\$319
Price Category (Geiger) 3	+\$34
Price Category 4	+\$415
Price Category 5	+\$442
Price Category 7	+\$690
Price Category (Geiger) 7	+\$222
Price Category 9	+\$1029
Price Category 10	+\$954
Price Category 11	+\$1142
Price Category 14	+\$1489
Price Category E	+\$177
Price Category G	+\$883
Price Category H	+\$1048
Price Category J	+\$1260

#### Step 5. Fire Retardancy

<b>NFR</b> not fire retardant <input type="checkbox"/>	+\$0
<b>FR</b> fire retardant <input type="checkbox"/>	+\$100

# Bolster Chaise

AL1C1



## Product Information

### Description

This chaise features wood frame construction, fire retardant free foam and down topper. It is available in left-arm or right-arm configuration. Base finish is brushed stainless. Ganging hardware included.

### Notes

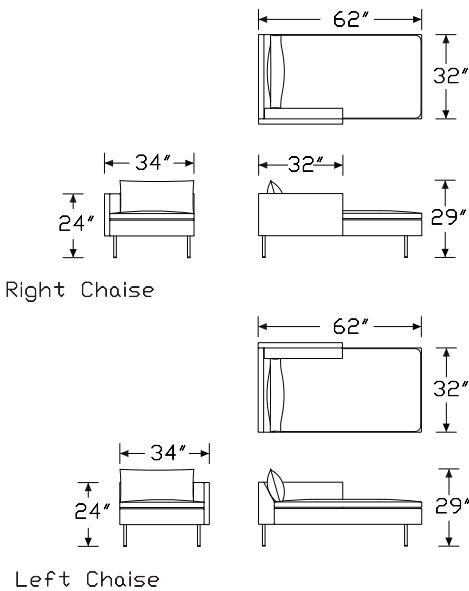
Handedness is determined from a seated position.

Fabric is railroaded.

Customer's Own Material (COM) requires 8 yards. Customer's Own Leather (COL) requires 144 square feet. See Order Information in Appendices.

Limited textile selection available. See application chart in appendices.

## Dimensions



## Specification Information

### Step 1.

**AL1C**  A

### Step 2. Direction

**1004L** left chaise  A

**1004R** right chaise  A

### Step 3. Upholstery Assignment

**S** single fabric  A

### Prices for Steps 1-3.

**AL1C1004L S** \$3591

**AL1C1004R S** \$3591

### Step 4. Leg Finish

**BRS** brushed stainless  A +\$0

### Step 5. Fabric

Price Category 1 <input type="checkbox"/> A	+\$0
Price Category 2	+\$550
Price Category 3	+\$660
Price Category (Geiger) 3	+\$88
Price Category 4	+\$858
Price Category 5	+\$947
Price Category 7	+\$1477
Price Category (Geiger) 7	+\$637
Price Category 9	+\$2763
Price Category 10	+\$2099
Price Category 11	+\$3072
Price Category 14	+\$3303
Price Category E	+\$514
Price Category G	+\$729
Price Category H	+\$947
Price Category J	+\$1354

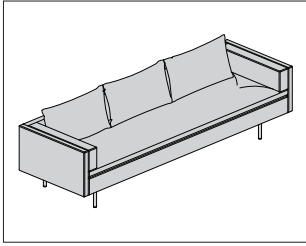
### Step 6. Fire Retardancy

**NFR** not fire retardant  A +\$0

**FR** fire retardant  A +\$250

# Bolster Sofa

AL1C1



### Product Information

#### Description

This sofa features wood frame construction, fire retardant free foam and down topper. It is available with or without arms or in left-arm or right-arm configuration. Base finish is brushed stainless. Ganging hardware included.

#### Notes

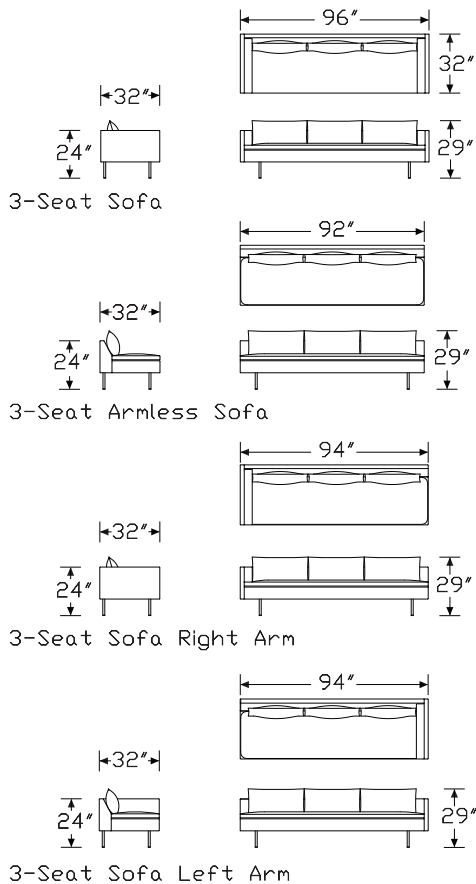
Handedness is determined from a seated position.

Fabric is railroaded.

Customer's Own Material (COM) requires 12 yards. Customer's Own Leather (COL) requires 215 square feet. See Order Information in Appendices.

Limited textile selection available. See application chart in appendices.

### Dimensions



### Specification Information

#### Step 1.

**AL1C**  A

#### Step 2. Configuration

**1003** 3-seat sofa  A

**1003A** 3-seat armless sofa  A

**1003R** 3-seat sofa right arm  A

**1003L** 3-seat sofa left arm  A

#### Step 3. Upholstery Assignment

**S** single fabric  A

#### Prices for Steps 1-3.

**AL1C1003 S** \$4736

**AL1C1003A S** \$4009

**AL1C1003R S** \$4373

**AL1C1003L S** \$4505

#### Step 4. Leg Finish

**BRS** brushed stainless  A +\$0

#### Step 5. Fabric

Price Category 1  A +\$0

Price Category 2 +\$771

Price Category 3 +\$925

Price Category (Geiger) 3 +\$107

Price Category 4 +\$1203

Price Category 5 +\$1345

Price Category 7 +\$2098

Price Category (Geiger) 7 +\$775

Price Category 9 +\$4810

Price Category 10 +\$3008

Price Category 11 +\$5359

Price Category 14 +\$4748

Price Category E +\$621

Price Category G +\$1421

Price Category H +\$1727

Price Category J +\$2333

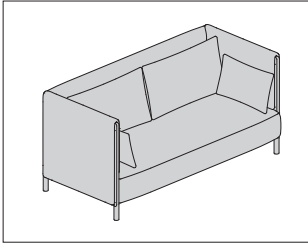
#### Step 6. Fire Retardancy

**NFR** not fire retardant  A +\$0

**FR** fire retardant  A +\$350

ColourForm Sofa, Not Quilted,  
Single Textile

AJN10



**Product Information**

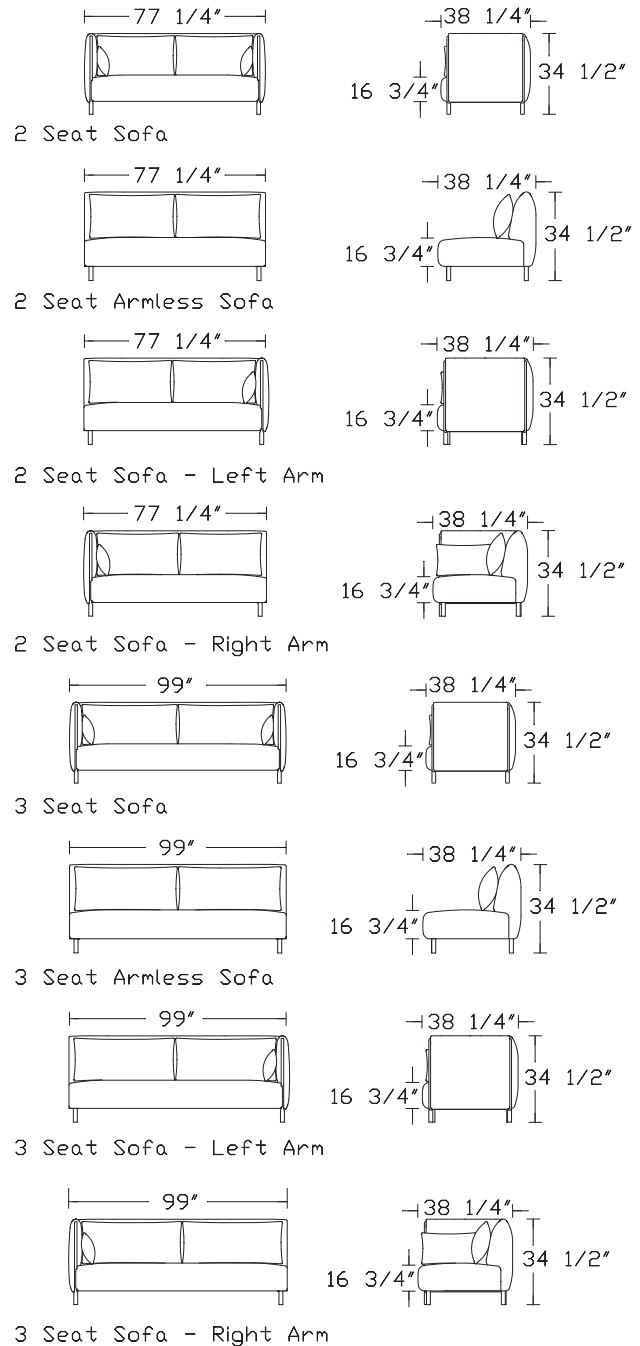
**Description**

This sofa has wooden frame construction with shaped foam and cover layers folded over the arm rest. Pillows are fiber filled for comfort. A plastic upholstery strip is stitched into the textile allowing the fabric to be stretched and pushed into place over the frame. Sofa is available with or without arms or in left-arm or right-arm configuration.

**Notes**

For modularity, order ganging kit (AJNG) separately.  
Handedness is determined from seated position.  
Limited textile selection available. See application chart in appendices.

**Dimensions**



# ColourForm Sofa, Not Quilted, Single Textile *continued*

## Specification Information

### Step 1.

**AJN**

### Step 2. Configuration

**1002** 2-seat sofa

**1002A** 2-seat armless sofa

**1002R** 2-seat sofa right arm

**1002L** 2-seat sofa left arm

**1003** 3-seat sofa

**1003A** 3-seat armless sofa

**1003R** 3-seat sofa right arm

**1003L** 3-seat sofa left arm

### Step 3. Upholstery Type

**N** not quilted, single textile

### Prices for Steps 1-3.

**AJN1002 N** \$4719

**AJN1002A N** \$3029

**AJN1002R N** \$3903

**AJN1002L N** \$3903

**AJN1003 N** \$5086

**AJN1003A N** \$3529

**AJN1003R N** \$4364

**AJN1003L N** \$4364

### Step 4. Outside/Inside Fabric

Price Category 2 +\$90

Price Category (Geiger) 3 +\$192

Price Category 5 +\$720

Price Category (Geiger) 7 +\$1606

Price Category (Geiger) E +\$1286

Price Category (Geiger) G +\$1489

Price Category (Geiger) H +\$2073

Price Category (Geiger) I +\$2267

Price Category (Geiger) J +\$3233

### Step 5. Leg Finish

**EN** ebony  +\$0

**OU** walnut  +\$0

**A2** white ash  +\$0

**SBA** soft blue ash  +\$0

**SGA** soft green ash  +\$0

**66A** recograin frosty ash  +\$0

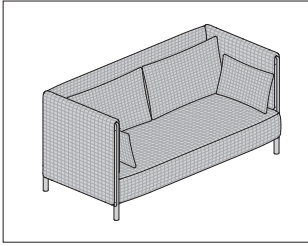
### Step 6. Fire Retardancy

**NFR** not fire retardant  +\$0

**FR** fire retardant  +\$900

ColourForm Sofa, Quilted, Single Textile

AJN10



**Product Information**

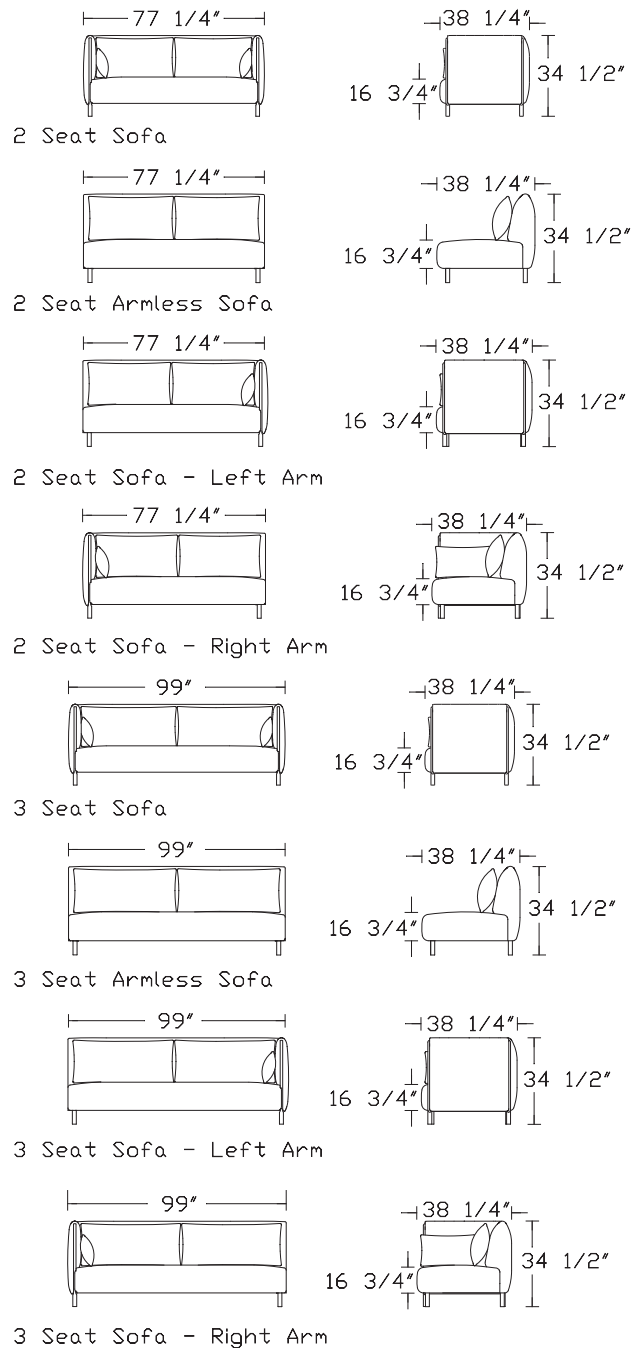
**Description**

This sofa has wooden frame construction with shaped foam and cover layers folded over the arm rest. Pillows are fiber filled for comfort. A plastic upholstery strip is stitched into the textile allowing the fabric to be stretched and pushed into place over the frame. Sofa is available with or without arms or in left-arm or right-arm configuration.

**Notes**

For modularity, order ganging kit (AJNG) separately.  
 Handedness is determined from seated position.  
 Limited textile selection available. See application chart in appendices.

**Dimensions**





# ColourForm Sofa, Quilted, Single Textile *continued*

## Specification Information

### Step 1.

**AJN**

### Step 2. Configuration

**1002** 2-seat sofa

**1002A** 2-seat armless sofa

**1002R** 2-seat sofa right arm

**1002L** 2-seat sofa left arm

**1003** 3-seat sofa

**1003A** 3-seat armless sofa

**1003R** 3-seat sofa right arm

**1003L** 3-seat sofa left arm

### Step 3. Upholstery Type

**Q1** quilted, single textile (outside quilted, inside not quilted, same color, same fabric family)

### Prices for Steps 1-3.

**AJN1002 Q1** \$4719

**AJN1002A Q1** \$3029

**AJN1002R Q1** \$3903

**AJN1002L Q1** \$3903

**AJN1003 Q1** \$5086

**AJN1003A Q1** \$3529

**AJN1003R Q1** \$4364

**AJN1003L Q1** \$4364

### Step 4. Outside/Inside Fabric

Price Category (Geiger) 3 +\$1265

Price Category 5 +\$1792

Price Category (Geiger) G +\$2562

### Step 5. Leg Finish

**A2** white ash  +\$0

**EN** ebony  +\$0

**OU** walnut  +\$0

**SBA** soft blue ash  +\$0

**SGA** soft green ash  +\$0

**66A** recograin frosty ash  +\$0

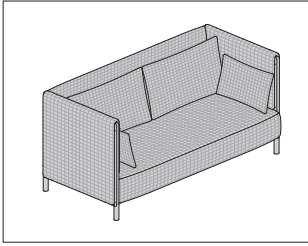
### Step 6. Fire Retardancy

**NFR** not fire retardant  +\$0

**FR** fire retardant  +\$900

ColourForm Sofa, Quilted, Two Textiles

AJN10



**Product Information**

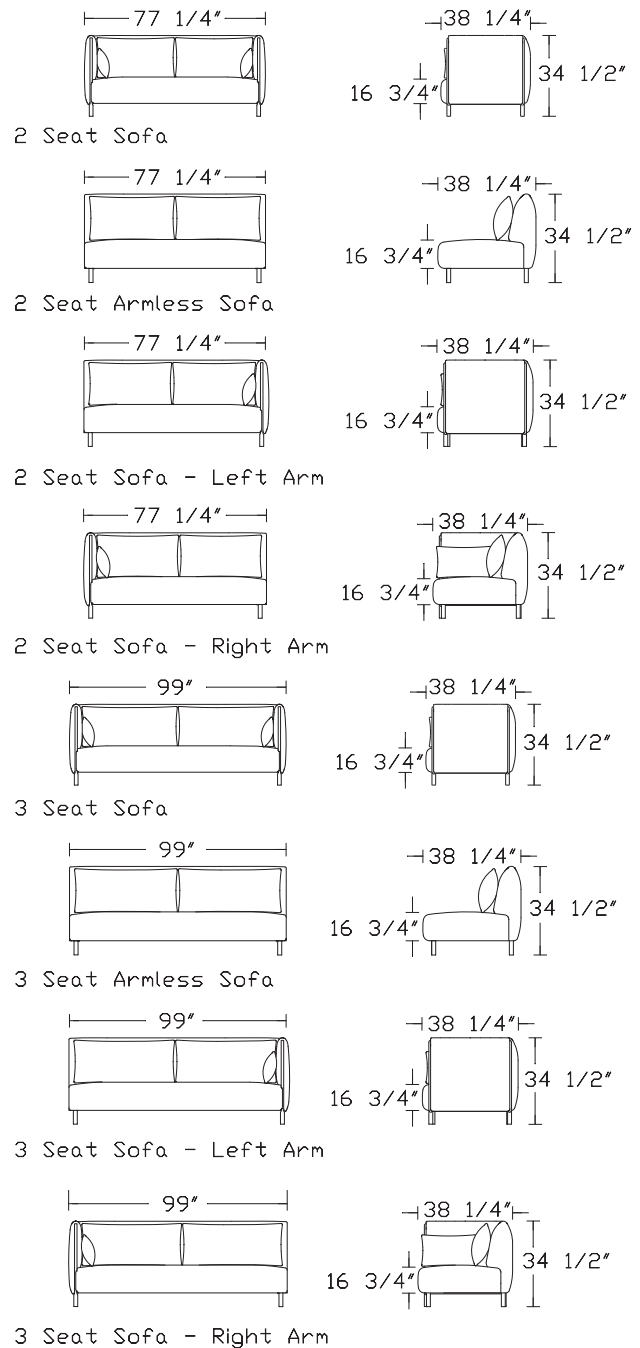
**Description**

This sofa has wooden frame construction with shaped foam and cover layers folded over the arm rest. Pillows are fiber filled for comfort. A plastic upholstery strip is stitched into the textile allowing the fabric to be stretched and pushed into place over the frame. Sofa is available with arms or in left-arm or right-arm configuration.

**Notes**

For modularity, order ganging kit (AJNG) separately.  
 Handedness is determined from seated position.  
 Limited textile selection available. See application chart in appendices.

**Dimensions**

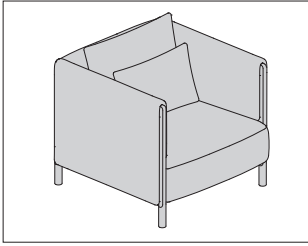


# ColourForm Sofa, Quilted, Two Textiles *continued*

Specification Information	
Step 1.	
<b>AJN</b> <input type="checkbox"/>	
Step 2. Configuration	
<b>1002</b>	2-seat sofa <input type="checkbox"/>
<b>1002R</b>	2-seat sofa right arm <input type="checkbox"/>
<b>1002L</b>	2-seat sofa left arm <input type="checkbox"/>
<b>1003</b>	3-seat sofa <input type="checkbox"/>
<b>1003R</b>	3-seat sofa right arm <input type="checkbox"/>
<b>1003L</b>	3-seat sofa left arm <input type="checkbox"/>
Step 3. Upholstery Type	
<b>Q2</b>	quilted, two textiles (outside quilted, inside quilted) <input type="checkbox"/>
Prices for Steps 1-3.	
<b>AJN1002 Q2</b>	\$4719
<b>AJN1002R Q2</b>	\$3903
<b>AJN1002L Q2</b>	\$3903
<b>AJN1003 Q2</b>	\$5086
<b>AJN1003R Q2</b>	\$4364
<b>AJN1003L Q2</b>	\$4364
Step 4. Outside Fabric	
Price Category (Geiger) G	+\$2562
Step 5. Inside Fabric	
Price Category (Geiger) G	+\$0
Step 6. Leg Finish	
<b>A2</b>	white ash <input type="checkbox"/> +\$0
<b>EN</b>	ebony <input type="checkbox"/> +\$0
<b>OU</b>	walnut <input type="checkbox"/> +\$0
<b>SBA</b>	soft blue ash <input type="checkbox"/> +\$0
<b>SGA</b>	soft green ash <input type="checkbox"/> +\$0
<b>66A</b>	recograin frosty ash <input type="checkbox"/> +\$0
Step 7. Fire Retardancy	
<b>NFR</b>	not fire retardant <input type="checkbox"/> +\$0
<b>FR</b>	fire retardant <input type="checkbox"/> +\$900

ColourForm Club Chair, Not Quilted, Single Textile

AJN10



**Product Information**

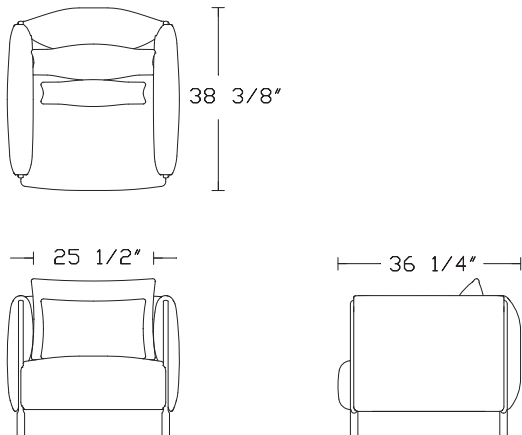
**Description**

This club chair has wooden frame construction with shaped foam and cover layers folded over the arm rest. Pillows are fiber filled for comfort. A plastic upholstery strip is stitched into the textile allowing the fabric to be stretched and pushed into place over the frame.

**Notes**

Handedness is determined from seated position.  
 Limited textile selection available. See application chart in appendices.

**Dimensions**



HermanMiller Collection—Sofas

**Specification Information**

**Step 1.**

**AJN1000**  A

**Step 2. Upholstery Type**

**N** not quilted, single textile  A

**Prices for Steps 1-2.**

**AJN1000 N** \$3573

**Step 3. Outside/Inside Fabric**

Price Category 2	+\$55
Price Category (Geiger) 3	+\$107
Price Category 5	+\$407
Price Category (Geiger) 7	+\$914
Price Category (Geiger) E	+\$732
Price Category (Geiger) G	+\$847
Price Category (Geiger) H	+\$1179
Price Category (Geiger) I	+\$1289
Price Category (Geiger) J	+\$1839

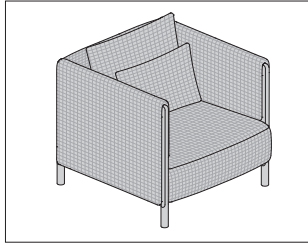
**Step 4. Leg Finish**

<b>EN</b> ebony <input type="checkbox"/> A	+\$0
<b>OU</b> walnut <input type="checkbox"/> A	+\$0
<b>A2</b> white ash <input type="checkbox"/> A	+\$0
<b>SBA</b> soft blue ash <input type="checkbox"/> A	+\$0
<b>SGA</b> soft green ash <input type="checkbox"/> A	+\$0
<b>66A</b> recograin frosty ash <input type="checkbox"/> A	+\$0

**Step 5. Fire Retardancy**

<b>NFR</b> not fire retardant <input type="checkbox"/> A	+\$0
<b>FR</b> fire retardant <input type="checkbox"/> A	+\$495

ColourForm Club Chair, Quilted, Single Textile AJN10



**Product Information**

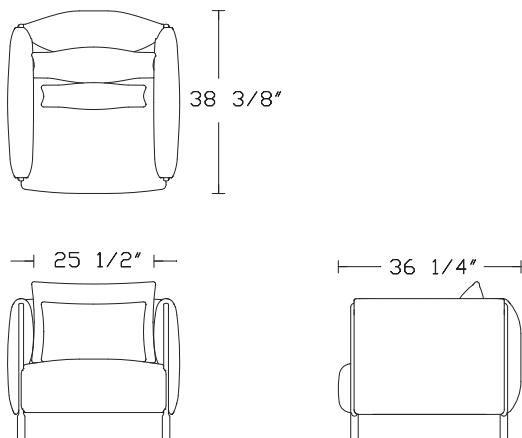
**Description**

This club chair has wooden frame construction with shaped foam and cover layers folded over the arm rest. Pillows are fiber filled for comfort. A plastic upholstery strip is stitched into the textile allowing the fabric to be stretched and pushed into place over the frame.

**Notes**

Handedness is determined from seated position.  
 Limited textile selection available. See application chart in appendices.

**Dimensions**



**Specification Information**

**Step 1.**

**AJN1000** A

**Step 2. Upholstery Type**

**Q1** quilted, single textile (outside quilted, inside not quilted, same color, same fabric family) A

**Prices for Steps 1-2.**

**AJN1000 Q1** \$3573

**Step 3. Outside/Inside Fabric**

Price Category (Geiger) 3 + \$717  
 Price Category 5 + \$1017  
 Price Category (Geiger) G + \$1457

**Step 4. Leg Finish**

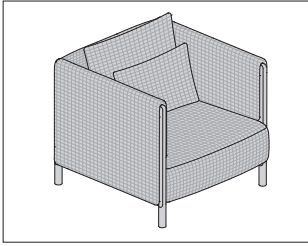
**A2** white ash A + \$0  
**EN** ebony A + \$0  
**OU** walnut A + \$0  
**SBA** soft blue ash A + \$0  
**SGA** soft green ash A + \$0  
**66A** recograin frosty ash A + \$0

**Step 5. Fire Retardancy**

**NFR** not fire retardant A + \$0  
**FR** fire retardant A + \$495

ColourForm Club Chair, Quilted,  
Two Textiles

AJN10



**Product Information**

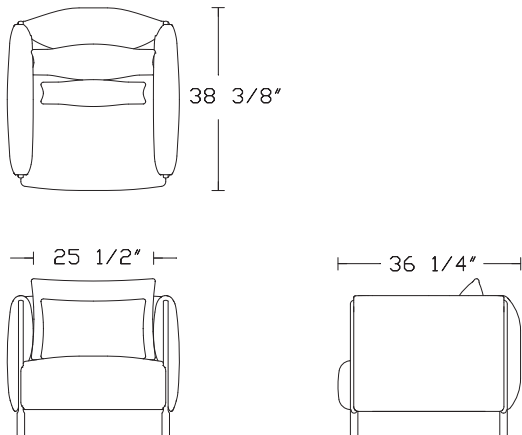
**Description**

This club chair has wooden frame construction with shaped foam and cover layers folded over the arm rest. Pillows are fiber filled for comfort. A plastic upholstery strip is stitched into the textile allowing the fabric to be stretched and pushed into place over the frame.

**Notes**

Handedness is determined from seated position.  
Limited textile selection available. See application chart in appendices.

**Dimensions**



HermanMiller Collection—Sofas

**Specification Information**

**Step 1.**

**AJN1000** A

**Step 2. Upholstery Type**

**Q2** quilted, two textiles (outside quilted, inside quilted) A

**Prices for Steps 1-2.**

**AJN1000 Q2** \$3573

**Step 3. Outside Fabric**

Price Category (Geiger) G +\$1457

**Step 4. Inside Fabric**

Price Category (Geiger) G +\$0

**Step 5. Leg Finish**

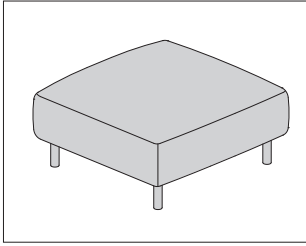
- A2** white ash A +\$0
- EN** ebony A +\$0
- OU** walnut A +\$0
- SBA** soft blue ash A +\$0
- SGA** soft green ash A +\$0
- 66A** recograin frosty ash A +\$0

**Step 6. Fire Retardancy**

- NFR** not fire retardant A +\$0
- FR** fire retardant A +\$495

ColourForm Ottoman, Not Quilted, Single Textile

AJN04

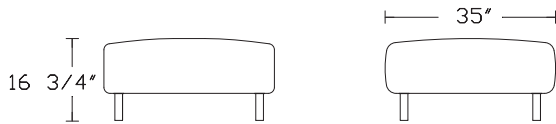


**Product Information**

**Description**

This ottoman has wooden frame construction with shaped foam and cover layers folded over the arm rest. Pillows are fiber filled for comfort. A plastic upholstery strip is stitched into the textile allowing the fabric to be stretched and pushed into place over the frame.

**Dimensions**



**Specification Information**

**Step 1.**

**AJN0400**

**Step 2. Upholstery Type**

**N** not quilted, single textile

**Prices for Steps 1-2.**

**AJN0400 N** \$1147

**Step 3. Ottoman Fabric**

Price Category 2	+\$15
Price Category (Geiger) 3	+\$25
Price Category 5	+\$85
Price Category (Geiger) 7	+\$194
Price Category (Geiger) E	+\$155
Price Category (Geiger) G	+\$180
Price Category (Geiger) H	+\$251
Price Category (Geiger) I	+\$274
Price Category (Geiger) J	+\$390

**Step 4. Leg Finish**

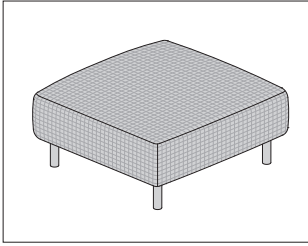
<b>EN</b> ebony <input type="checkbox"/>	+\$0
<b>OU</b> walnut <input type="checkbox"/>	+\$0
<b>A2</b> white ash <input type="checkbox"/>	+\$0
<b>SBA</b> soft blue ash <input type="checkbox"/>	+\$0
<b>SGA</b> soft green ash <input type="checkbox"/>	+\$0
<b>66A</b> recograin frosty ash <input type="checkbox"/>	+\$0

**Step 5. Fire Retardancy**

<b>NFR</b> not fire retardant <input type="checkbox"/>	+\$0
<b>FR</b> fire retardant <input type="checkbox"/>	+\$150

ColourForm Ottoman, Quilted,  
Single Textile

AJN04

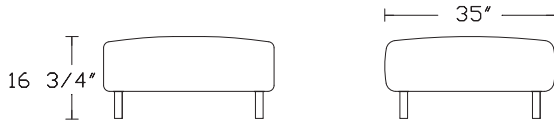


**Product Information**

**Description**

This ottoman has wooden frame construction with shaped foam and cover layers folded over the arm rest. Pillows are fiber filled for comfort. A plastic upholstery strip is stitched into the textile allowing the fabric to be stretched and pushed into place over the frame.

**Dimensions**



**Specification Information**

**Step 1.**

**AJN0400** [A]

**Step 2. Upholstery Type**

**Q1** quilted, single textile (outside quilted, inside not quilted, same color, same fabric family) [A]

**Prices for Steps 1-2.**

**AJN0400 Q1** \$1147

**Step 3. Ottoman Fabric**

Price Category (Geiger) 3 +\$150  
 Price Category 5 +\$214  
 Price Category (Geiger) G +\$310

**Step 4. Leg Finish**

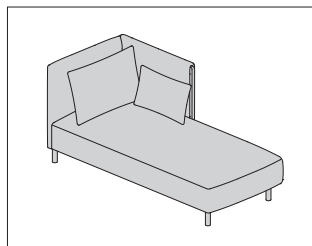
**EN** ebony [A] +\$0  
**OU** walnut [A] +\$0  
**A2** white ash [A] +\$0  
**SBA** soft blue ash [A] +\$0  
**SGA** soft green ash [A] +\$0  
**66A** recograin frosty ash [A] +\$0

**Step 5. Fire Retardancy**

**NFR** not fire retardant [A] +\$0  
**FR** fire retardant [A] +\$150



ColourForm Chaise, Not Quilted, Single Textile AJN10



**Product Information**

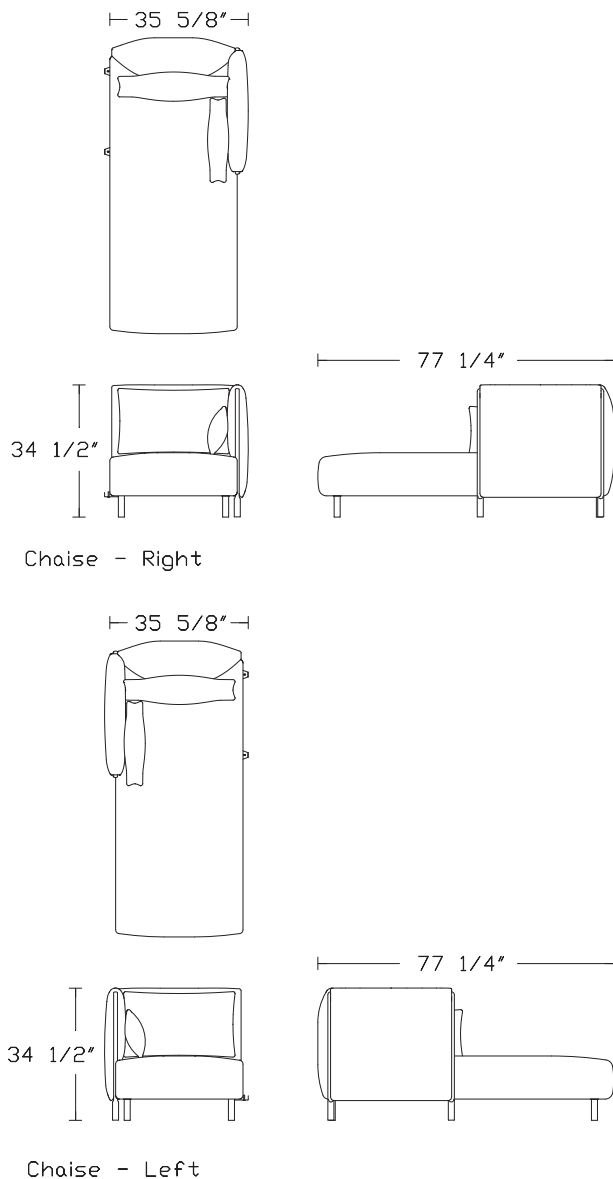
**Description**

This chaise has wooden frame construction with shaped foam and cover layers folded over the arm rest. Pillows are fiber filled for comfort. A plastic upholstery strip is stitched into the textile allowing the fabric to be stretched and pushed into place over the frame.

**Notes**

For modularity, order ganging kit (AJNG) separately.  
 Handedness is determined from seated position.  
 Limited textile selection available. See application chart in appendices.

**Dimensions**



# ColourForm Chaise, Not Quilted, Single Textile *continued*

## Specification Information

### Step 1.

**AJN**  A

### Step 2. Configuration

**1004R** right chaise  A

**1004L** left chaise  A

### Step 3. Upholstery Type

**N** not quilted, single textile  A

### Prices for Steps 1-3.

**AJN1004R N** \$3643

**AJN1004L N** \$3643

### Step 4. Outside/Inside Fabric

Price Category 2 +\$60

Price Category (Geiger) 3 +\$125

Price Category 5 +\$828

Price Category (Geiger) 7 +\$1052

Price Category (Geiger) E +\$842

Price Category (Geiger) G +\$976

Price Category (Geiger) H +\$1358

Price Category (Geiger) I +\$1485

Price Category (Geiger) J +\$2118

### Step 5. Leg Finish

**EN** ebony  A +\$0

**OU** walnut  A +\$0

**A2** white ash  A +\$0

**SBA** soft blue ash  A +\$0

**SGA** soft green ash  A +\$0

**66A** recograin frosty ash  A +\$0

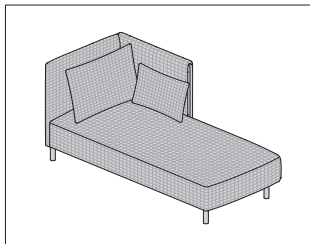
### Step 6. Fire Retardancy

**NFR** not fire retardant  A +\$0

**FR** fire retardant  A +\$570

ColourForm Chaise, Quilted,  
Single Textile

AJN10



**Product Information**

**Description**

This chaise has wooden frame construction with shaped foam and cover layers folded over the arm rest. Pillows are fiber filled for comfort. A plastic upholstery strip is stitched into the textile allowing the fabric to be stretched and pushed into place over the frame.

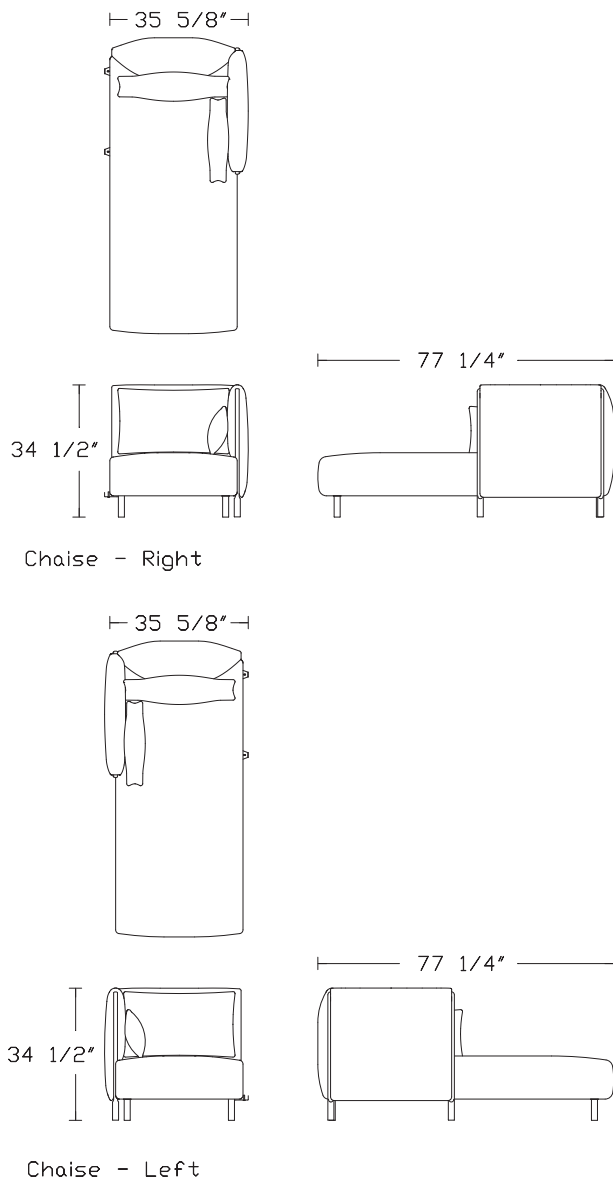
**Notes**

For modularity, order ganging kit (AJNG) separately.

Handedness is determined from seated position.

Limited textile selection available. See application chart in appendices.

**Dimensions**



# ColourForm Chaise, Quilted, Single Textile *continued*

## Specification Information

### Step 1.

**AJN**

### Step 2. Configuration

**1004L** left chaise

**1004R** right chaise

### Step 3. Upholstery Type

**Q1** quilted, single textile (outside quilted, inside not quilted, same color, same fabric family)

### Prices for Steps 1-3.

**AJN1004L Q1** \$3643

**AJN1004R Q1** \$3643

### Step 4. Outside/Inside Fabric

Price Category (Geiger) 3 +\$828

Price Category 5 +\$1173

Price Category (Geiger) G +\$1679

### Step 5. Leg Finish

**A2** white ash  +\$0

**EN** ebony  +\$0

**OU** walnut  +\$0

**SBA** soft blue ash  +\$0

**SGA** soft green ash  +\$0

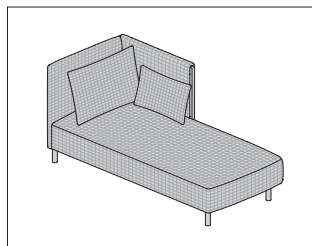
**66A** recograin frosty ash  +\$0

### Step 6. Fire Retardancy

**NFR** not fire retardant  +\$0

**FR** fire retardant  +\$570

ColourForm Chaise, Quilted, Two Textiles AJN10



**Product Information**

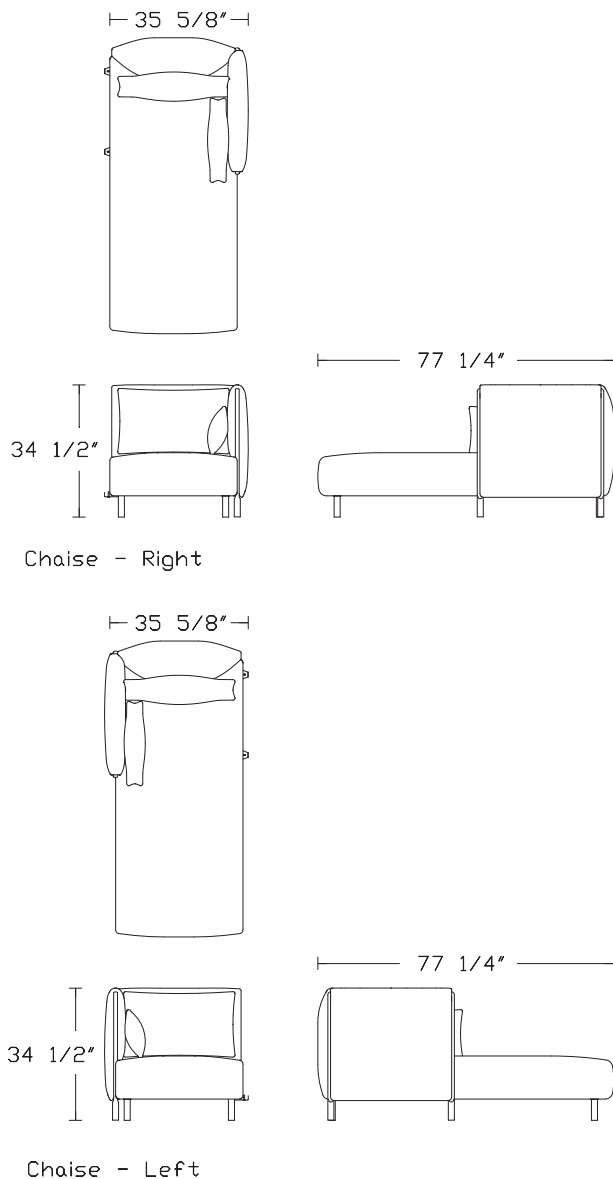
**Description**

This chaise has wooden frame construction with shaped foam and cover layers folded over the arm rest. Pillows are fiber filled for comfort. A plastic upholstery strip is stitched into the textile allowing the fabric to be stretched and pushed into place over the frame.

**Notes**

For modularity, order ganging kit (AJNG) separately.  
 Handedness is determined from seated position.  
 Limited textile selection available. See application chart in appendices.

**Dimensions**

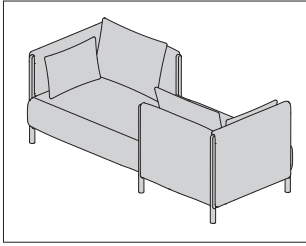


# ColourForm Chaise, Quilted, Two Textiles *continued*

Specification Information	
Step 1.	
<b>AJN</b>	<input type="checkbox"/> A
Step 2. Configuration	
<b>1004R</b>	right chaise <input type="checkbox"/> A
<b>1004L</b>	left chaise <input type="checkbox"/> A
Step 3. Upholstery Type	
<b>Q2</b>	quilted, two textiles (outside quilted, inside quilted) <input type="checkbox"/> A
Prices for Steps 1-3.	
<b>AJN1004R Q2</b>	\$3643
<b>AJN1004L Q2</b>	\$3643
Step 4. Outside Fabric	
Price Category (Geiger) G	+\$1679
Step 5. Inside Fabric	
Price Category (Geiger) G	+\$0
Step 6. Leg Finish	
<b>A2</b>	white ash <input type="checkbox"/> A +\$0
<b>EN</b>	ebony <input type="checkbox"/> A +\$0
<b>OU</b>	walnut <input type="checkbox"/> A +\$0
<b>SBA</b>	soft blue ash <input type="checkbox"/> A +\$0
<b>SGA</b>	soft green ash <input type="checkbox"/> A +\$0
<b>66A</b>	recograin frosty ash <input type="checkbox"/> A +\$0
Step 7. Fire Retardancy	
<b>NFR</b>	not fire retardant <input type="checkbox"/> A +\$0
<b>FR</b>	fire retardant <input type="checkbox"/> A +\$570

ColourForm Tete-a-Tete, Not Quilted, Single Textile

AJN10



**Product Information**

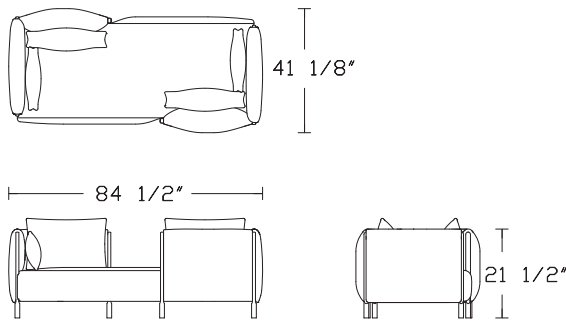
**Description**

This Tete-a-Tete has wooden frame construction with shaped foam and cover layers folded over the arm rest. Pillows are fiber filled for comfort. A plastic upholstery strip is stitched into the textile allowing the fabric to be stretched and pushed into place over the frame.

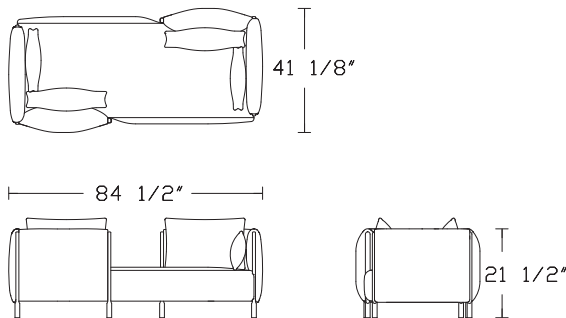
**Notes**

Handedness is determined from seated position.  
 Limited textile selection available. See application chart in appendices.

**Dimensions**



Tete-a-tete Left



Tete-a-tete Right

**Specification Information**

**Step 1.**

**AJN**

**Step 2. Configuration**

**1006R** tete-a-tete right

**1006L** tete-a-tete left

**Step 3. Upholstery Type**

**N** not quilted, single textile

**Prices for Steps 1-3.**

**AJN1006R N** \$4924

**AJN1006L N** \$4924

**Step 4. Outside/Inside Fabric**

Price Category 2	+\$84
Price Category (Geiger) 3	+\$177
Price Category 5	+\$667
Price Category (Geiger) 7	+\$1459
Price Category (Geiger) E	+\$1197
Price Category (Geiger) G	+\$1396
Price Category (Geiger) H	+\$1940
Price Category (Geiger) I	+\$2110
Price Category (Geiger) J	+\$3020

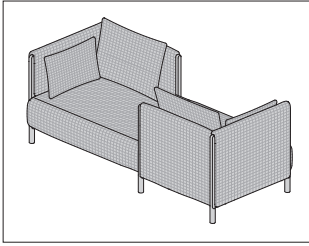
**Step 5. Leg Finish**

<b>EN</b> ebony <input type="checkbox"/>	+\$0
<b>OU</b> walnut <input type="checkbox"/>	+\$0
<b>A2</b> white ash <input type="checkbox"/>	+\$0
<b>SBA</b> soft blue ash <input type="checkbox"/>	+\$0
<b>SGA</b> soft green ash <input type="checkbox"/>	+\$0
<b>66A</b> recograin frosty ash <input type="checkbox"/>	+\$0

**Step 6. Fire Retardancy**

<b>NFR</b> not fire retardant <input type="checkbox"/>	+\$0
<b>FR</b> fire retardant <input type="checkbox"/>	+\$810

ColourForm Tete-a-Tete, Quilted, Single Textile AJN10



**Product Information**

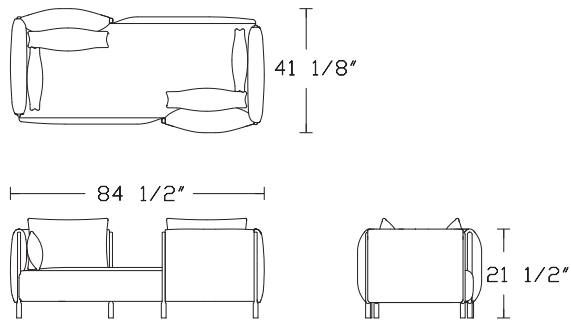
**Description**

This Tete-a-Tete has wooden frame construction with shaped foam and cover layers folded over the arm rest. Pillows are fiber filled for comfort. A plastic upholstery strip is stitched into the textile allowing the fabric to be stretched and pushed into place over the frame.

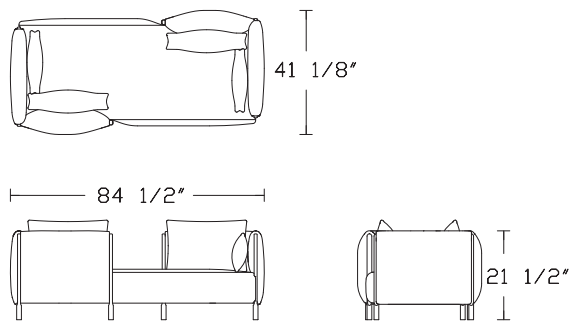
**Notes**

Handedness is determined from seated position.  
 Limited textile selection available. See application chart in appendices.

**Dimensions**



Tete-a-tete Left



Tete-a-tete Right

HermanMiller Collection—Sofas

**Specification Information**

**Step 1.**

AJN A

**Step 2. Configuration**

1006R tete-a-tete right A

1006L tete-a-tete left A

**Step 3. Upholstery Type**

Q1 quilted, single textile (outside quilted, inside not quilted, same color, same fabric family) A

**Prices for Steps 1-3.**

AJN1006R Q1 \$4924

AJN1006L Q1 \$4924

**Step 4. Outside/Inside Fabric**

Price Category (Geiger) 3 +\$1176

Price Category 5 +\$1666

Price Category (Geiger) G +\$2385

**Step 5. Leg Finish**

A2 white ash A +\$0

EN ebony A +\$0

OU walnut A +\$0

SBA soft blue ash A +\$0

SGA soft green ash A +\$0

66A recograin frosty ash A +\$0

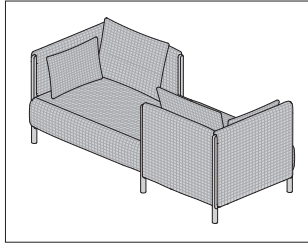
**Step 6. Fire Retardancy**

NFR not fire retardant A +\$0

FR fire retardant A +\$810



ColourForm Tete-a-Tete, Quilted, Two Textiles AJN10



**Product Information**

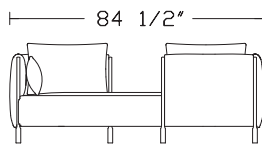
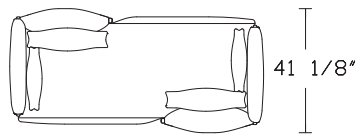
**Description**

This Tete-a-Tete has wooden frame construction with shaped foam and cover layers folded over the arm rest. Pillows are fiber filled for comfort. A plastic upholstery strip is stitched into the textile allowing the fabric to be stretched and pushed into place over the frame.

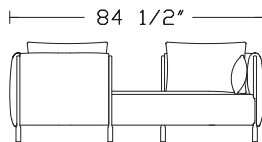
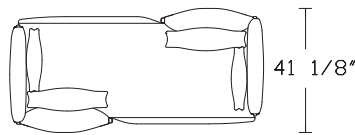
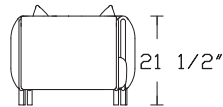
**Notes**

Handedness is determined from seated position.  
 Limited textile selection available. See application chart in appendices.

**Dimensions**



Tete-a-tete Left



Tete-a-tete Right

**Specification Information**

**Step 1.**

**AJN**

**Step 2. Configuration**

**1006R** tete-a-tete right

**1006L** tete-a-tete left

**Step 3. Upholstery Type**

**Q2** quilted, two textiles (outside quilted, inside quilted)

**Prices for Steps 1-3.**

**AJN1006R Q2** \$4924

**AJN1006L Q2** \$4924

**Step 4. Outside Fabric**

Price Category (Geiger) G +\$2385

**Step 5. Inside Fabric**

Price Category (Geiger) G +\$0

**Step 6. Leg Finish**

**A2** white ash  +\$0

**EN** ebony  +\$0

**OU** walnut  +\$0

**SBA** soft blue ash  +\$0

**SGA** soft green ash  +\$0

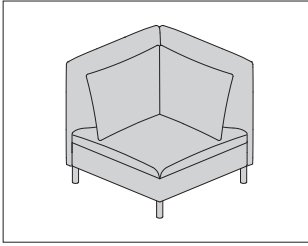
**66A** recograin frosty ash  +\$0

**Step 7. Fire Retardancy**

**NFR** not fire retardant  +\$0

**FR** fire retardant  +\$810

ColourForm Corner, Not Quilted, Single Textile AJN10



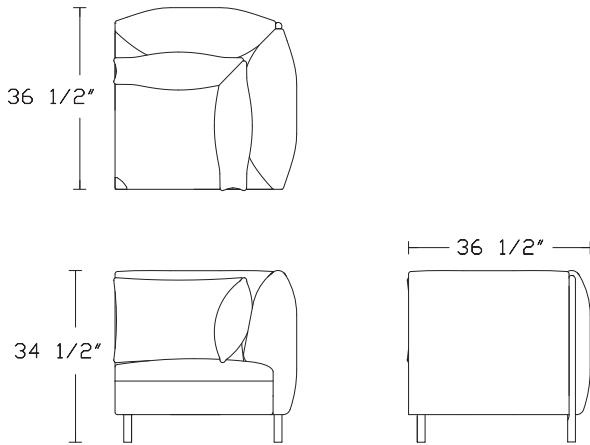
**Product Information**

**Description**  
 This corner seat has wooden frame construction with shaped foam and cover layers folded over the arm rest. Pillows are fiber filled for comfort. A plastic upholstery strip is stitched into the textile allowing the fabric to be stretched and pushed into place over the frame.

**Notes**  
 For modularity, order ganging kit (AJNG) separately.  
 Handedness is determined from seated position.  
 Limited textile selection available. See application chart in appendices.

**Dimensions**

HermanMiller Collection—Sofas



**Specification Information**

**Step 1.**

**AJN1005**  A

**Step 2. Upholstery Type**

**N** not quilted, single textile  A

**Prices for Steps 1-2.**

**AJN1005 N** \$2879

**Step 3. Outside/Inside Fabric**

Price Category 2	+\$55
Price Category (Geiger) 3	+\$113
Price Category 5	+\$422
Price Category (Geiger) 7	+\$941
Price Category (Geiger) E	+\$754
Price Category (Geiger) G	+\$873
Price Category (Geiger) H	+\$1215
Price Category (Geiger) I	+\$0
Price Category (Geiger) J	+\$759

**Step 4. Leg Finish**

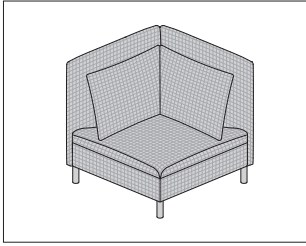
<b>EN</b> ebony <input type="checkbox"/> A	+\$0
<b>OU</b> walnut <input type="checkbox"/> A	+\$0
<b>A2</b> white ash <input type="checkbox"/> A	+\$0
<b>SBA</b> soft blue ash <input type="checkbox"/> A	+\$0
<b>SGA</b> soft green ash <input type="checkbox"/> A	+\$0
<b>66A</b> recograin frosty ash <input type="checkbox"/> A	+\$0

**Step 5. Fire Retardancy**

<b>NFR</b> not fire retardant <input type="checkbox"/> A	+\$0
<b>FR</b> fire retardant <input type="checkbox"/> A	+\$510

ColourForm Corner, Quilted,  
Single Textile

AJN10



**Product Information**

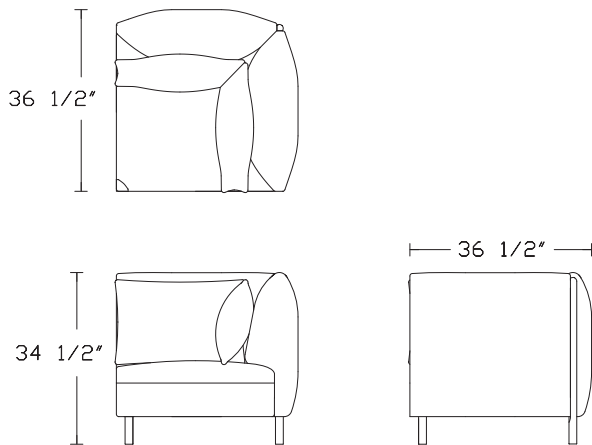
**Description**

This corner seat has wooden frame construction with shaped foam and cover layers folded over the arm rest. Pillows are fiber filled for comfort. A plastic upholstery strip is stitched into the textile allowing the fabric to be stretched and pushed into place over the frame.

**Notes**

For modularity, order ganging kit (AJNG) separately.  
Handedness is determined from seated position.  
Limited textile selection available. See application chart in appendices.

**Dimensions**



**Specification Information**

**Step 1.**

**AJN1005** A

**Step 2. Upholstery Type**

**Q1** quilted, single textile (outside quilted, inside not quilted, same color, same fabric family) A

**Prices for Steps 1-2.**

**AJN1005 Q1** \$2879

**Step 3. Outside/Inside Fabric**

Price Category (Geiger) 3 +\$742  
Price Category 5 +\$1051  
Price Category (Geiger) G +\$1502

**Step 4. Leg Finish**

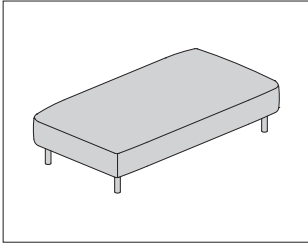
**A2** white ash A +\$0  
**EN** ebony A +\$0  
**OU** walnut A +\$0  
**SBA** soft blue ash A +\$0  
**SGA** soft green ash A +\$0  
**66A** recograin frosty ash A +\$0

**Step 5. Fire Retardancy**

**NFR** not fire retardant A +\$0  
**FR** fire retardant A +\$510

ColourForm Bench, Not Quilted,  
Single Textile

AJN2B  
AJN3B

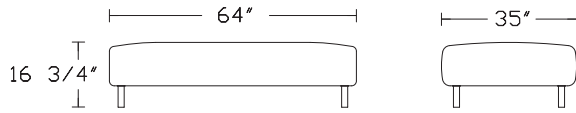


**Product Information**

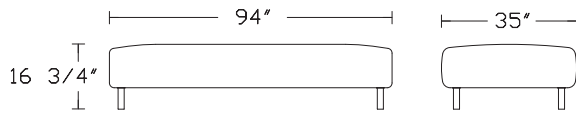
**Description**

This bench has wooden frame construction with shaped foam and cover layers folded over the arm rest. Pillows are fiber filled for comfort. A plastic upholstery strip is stitched into the textile allowing the fabric to be stretched and pushed into place over the frame.

**Dimensions**



2 Seat Bench



3 Seat Bench

HermanMiller Collection—Sofas

**Specification Information**

**Step 1.**

**AJN**  A

**Step 2. Configuration**

**2B** 2 seat bench  A

**3B** 3 seat bench  A

**Step 3. Upholstery Type**

**N** not quilted, single textile  A

**Prices for Steps 1-3.**

**AJN2B N** \$2208

**AJN3B N** \$2225

**Step 4. Bench Fabric**

Price Category 2	+ \$35
Price Category 5	+ \$260
Price Category (Geiger) 3	+ \$70
Price Category (Geiger) 7	+ \$581
Price Category (Geiger) E	+ \$466
Price Category (Geiger) G	+ \$539
Price Category (Geiger) H	+ \$750
Price Category (Geiger) I	+ \$820
Price Category (Geiger) J	+ \$1170

**Step 5. Leg Finish**

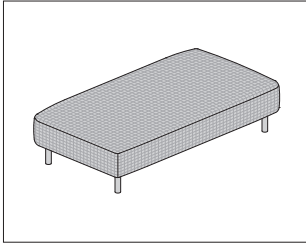
<b>A2</b> white ash <input type="checkbox"/> A	+ \$0
<b>EN</b> ebony <input type="checkbox"/> A	+ \$0
<b>OU</b> walnut <input type="checkbox"/> A	+ \$0
<b>SBA</b> soft blue ash <input type="checkbox"/> A	+ \$0
<b>SGA</b> soft green ash <input type="checkbox"/> A	+ \$0
<b>66A</b> recograin frosty ash <input type="checkbox"/> A	+ \$0

**Step 6. Fire Retardancy**

<b>NFR</b> not fire retardant <input type="checkbox"/> A	+ \$0
<b>FR</b> fire retardant <input type="checkbox"/> A	+ \$360

ColourForm Bench, Quilted,  
Single Textile

AJN2B  
AJN3B

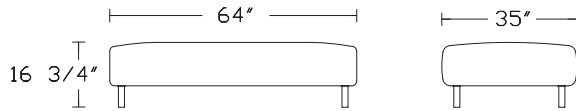


**Product Information**

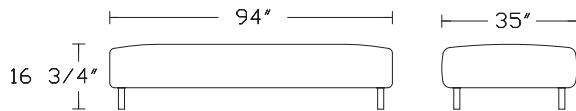
**Description**

This bench has wooden frame construction with shaped foam and cover layers folded over the arm rest. Pillows are fiber filled for comfort. A plastic upholstery strip is stitched into the textile allowing the fabric to be stretched and pushed into place over the frame.

**Dimensions**



2 Seat Bench



3 Seat Bench

**Specification Information**

**Step 1.**

**AJN**

**Step 2. Configuration**

**2B** 2 seat bench

**3B** 3 seat bench

**Step 3. Upholstery Type**

**Q1** quilted, single textile (outside quilted, inside not quilted, same color, same fabric family)

**Prices for Steps 1-3.**

**AJN2B Q1** \$2208

**AJN3B Q1** \$2225

**Step 4. Bench Fabric**

Price Category (Geiger) 3 +\$458

Price Category 5 +\$649

Price Category (Geiger) G +\$927

**Step 5. Leg Finish**

**A2** white ash  +\$0

**EN** ebony  +\$0

**OU** walnut  +\$0

**SBA** soft blue ash  +\$0

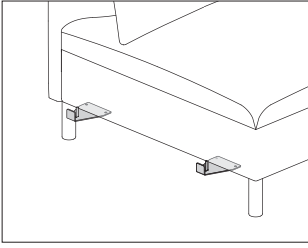
**SGA** soft green ash  +\$0

**66A** recograin frosty ash  +\$0

**Step 6. Fire Retardancy**

**NFR** not fire retardant  +\$0

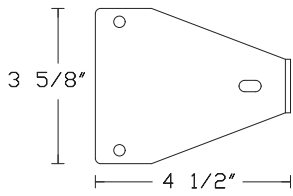
**FR** fire retardant  +\$360



**Product Information**

**Description**  
This ganging kit is required for modularity as noted on product pages.

**Dimensions**

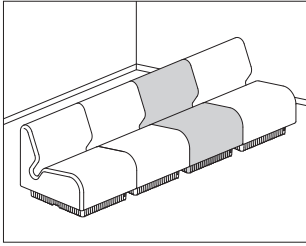


**Specification Information**

**Step 1.**  
**AJNG** A \$75

# Chadwick Module

- CM101
- CM102
- CM103
- CM105
- CM106



## Product Information

### Description

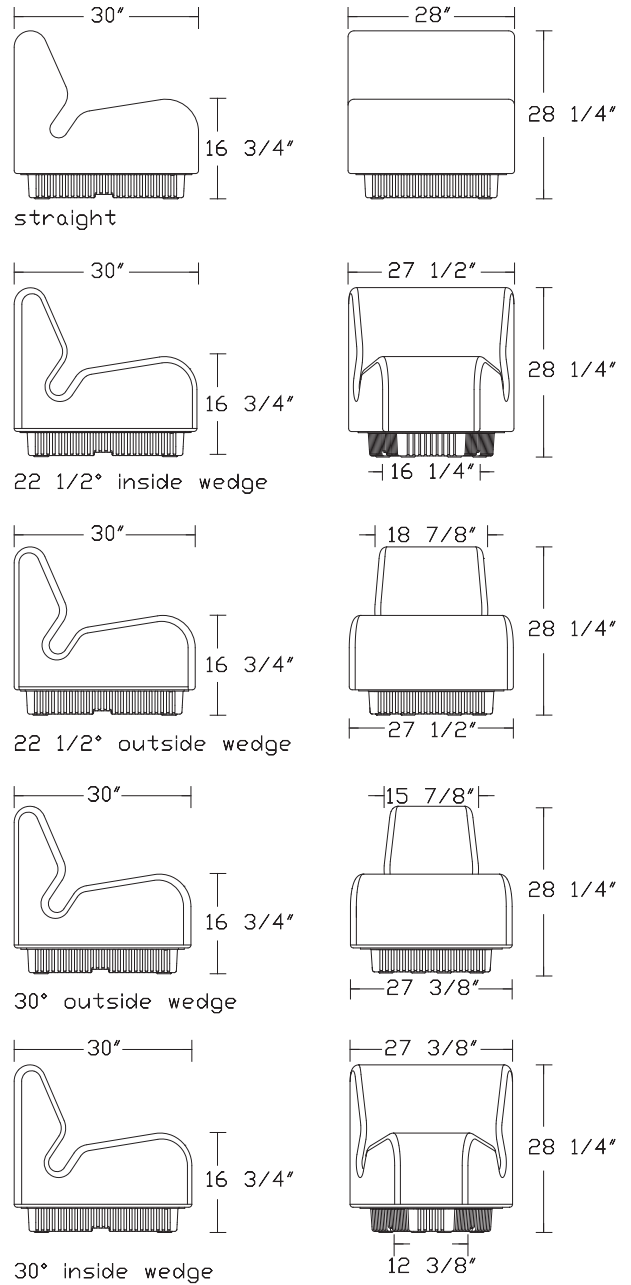
This fully upholstered foam module has a black molded base. Modules link together in any combination with loop connectors. 2 loop connectors are included with each module. Power components are sold separately.

### Notes

When specifying power components, fire retardant (FR) module must be specified.

Order base covers (CM104N) separately.

## Dimensions



HermanMiller Collection-Sofas

**Specification Information**

Step 1.

**CM10**  A

Step 2. Shape

- 1N** straight  A
- 2N** 22½° inside wedge  A
- 3N** 22½° outside wedge  A
- 5N** 30° outside wedge  A
- 6N** 30° inside wedge  A

Prices for Steps 1-2.

<b>CM101N</b>	\$1450
<b>CM102N</b>	\$1400
<b>CM103N</b>	\$1400
<b>CM105N</b>	\$1400
<b>CM106N</b>	\$1400

Step 3. Fabric

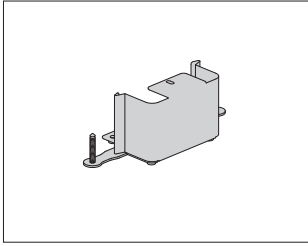
*See application chart and textiles list for fabric usage and numbers.  
First 2 digits of number indicate fabric line; remaining digit(s) indicate fabric color.*

Price Category 1	+ \$115
Price Category 5	+ \$225
Price Category (Geiger) 7	+ \$475
Price Category D	+ \$200
Price Category G	+ \$492
Price Category H	+ \$609

Step 4. Fire Retardancy

<b>NFR</b> not fire retardant <input type="checkbox"/> A	+\$0
<b>FR</b> fire retardant <input type="checkbox"/> A	+\$350



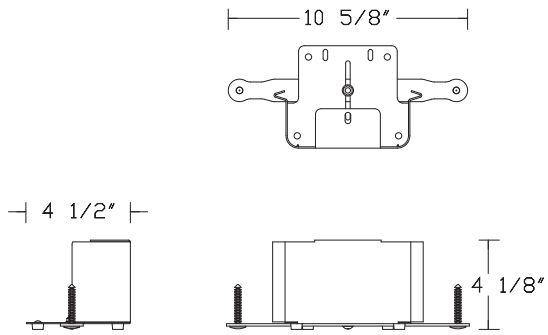


**Product Information**

**Description**

This base cover kit fills the gap at the base between 2 Chadwick modules. Package contains 2 steel covers to accommodate the front and back sides of the modules.

**Dimensions**

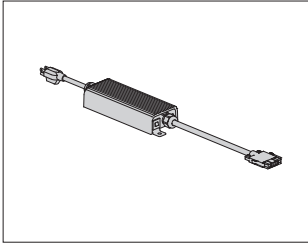


**Specification Information**

**Step 1.**

**CM104N** A

\$125



**Product Information**

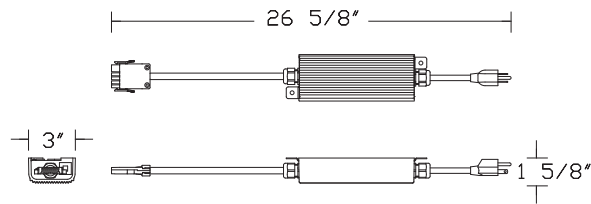
**Description**

This power entry connects a building's electrical supply from a wall, floor, or column to a Chadwick power receptacle kit. Entry can accommodate up to 8 duplex receptacles or 40' of cable length. Fire retardant Chadwick modules must be specified to be UL compliant. Power entry is UL listed.

**Notes**

Order power receptacle kit (CM108N) separately.

**Dimensions**



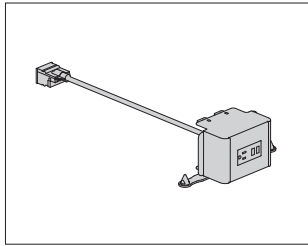
**Specification Information**

**Step 1.**

**CM107N** A \$340

**Step 2. Cord Length**

<b>A</b>	6' <span style="border: 1px solid black; padding: 0 2px;">A</span>	+\$0
<b>B</b>	10' <span style="border: 1px solid black; padding: 0 2px;">A</span>	+\$15
<b>C</b>	15' <span style="border: 1px solid black; padding: 0 2px;">A</span>	+\$40
<b>D</b>	25' <span style="border: 1px solid black; padding: 0 2px;">A</span>	+\$100



**Product Information**

**Description**

This receptacle kit attaches between 2 Chadwick module bases and has a 110-volt receptacle and 2 USB ports. It includes a base cover for the back of the base. Faceplate may be mounted flush with the base or slightly proud of the base. Fire retardant Chadwick modules must be specified to be UL compliant. Receptacle kit is UL listed.

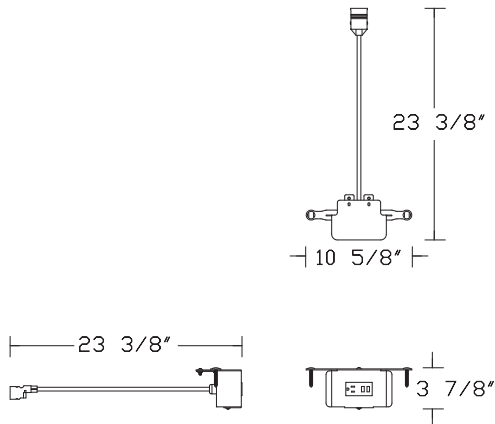
**Specification Information**

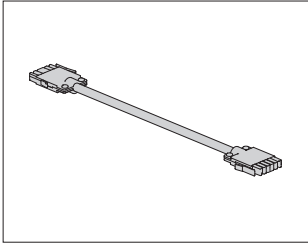
**Step 1.**

**CM108N** A

\$305

**Dimensions**



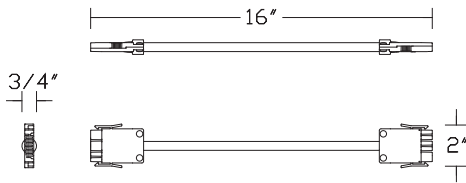


**Product Information**

**Description**  
 This power jumper connects power between 2 receptacle kits. Fire retardant Chadwick modules must be specified to be UL compliant. Jumper is UL listed.

**Notes**  
 Order power entry (CM107N) and receptacle kit (CM108N) separately.

**Dimensions**



**Specification Information**

**Step 1.**

**CM109N** A

**Step 2. Length**

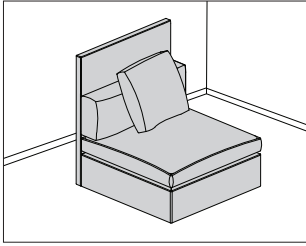
- A** 30" A
- B** 47" A
- C** 75" A
- D** 103" A

**Prices for Steps 1-2.**

<b>CM109N</b>	<b>A</b>	\$75
	<b>B</b>	\$85
	<b>C</b>	\$95
	<b>D</b>	\$105

# Module Lounge Seating with Privacy Back Single Seat

AL2C5



## Product Information

### Description

This single seat with an upholstered back privacy partition has an attached seat cushion and loose back, side, and throw cushions. Adjustable glides and ganging hardware included.

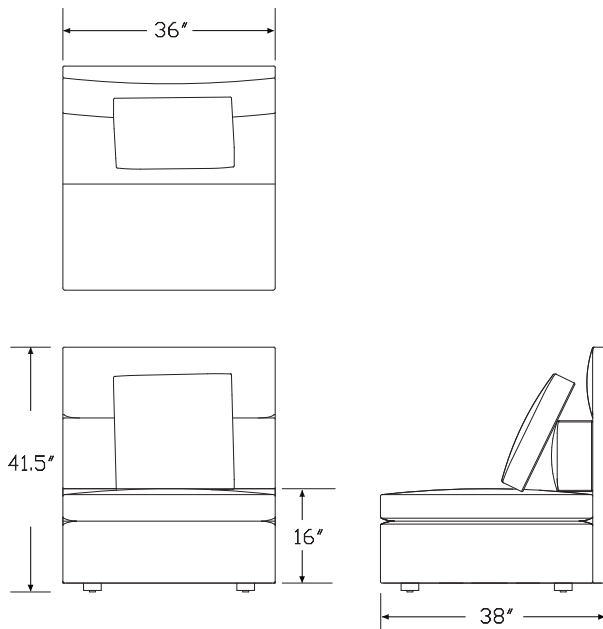
### Notes

Handedness is determined from a seated position.

Customer's Own Material (COM) requires 6 yards. Customer's Own Leather (COL) requires 119 square feet. See Order Information in Appendices.

Limited textile selection available. See application chart in appendices.

## Dimensions



## Specification Information

### Step 1.

**AL2C**  A

### Step 2. Configuration

**500A** armless  A

### Step 3. Upholstery Assignment

**S** single fabric  A

### Prices for Steps 1-3.

**AL2C500A S** \$3300

### Step 4. Leg Finish

**EN** ebony  A +\$0

### Step 5. Fabric

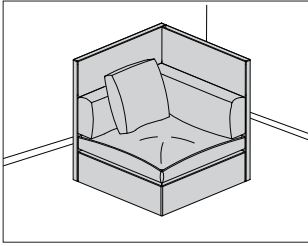
Price Category 1 <input type="checkbox"/> A	+\$0
Price Category 2	+\$163
Price Category 3	+\$91
Price Category (Geiger) 3	+\$103
Price Category 4	+\$209
Price Category 5	+\$357
Price Category 7	+\$665
Price Category (Geiger) 7	+\$737
Price Category 9	+\$1019
Price Category 10	+\$1306
Price Category 11	+\$1522
Price Category 14	+\$1897
Price Category E	+\$599
Price Category G	+\$602
Price Category H	+\$327
Price Category J	+\$130

### Step 6. Fire Retardancy

<b>NFR</b> not fire retardant <input type="checkbox"/> A	+\$0
<b>FR</b> fire retardant <input type="checkbox"/> A	+\$400

# Module Lounge Seating with Privacy Back Corner

AL2C7



## Product Information

### Description

This corner with an upholstered back privacy partition has an attached seat cushion, and loose back, side, and throw cushions. Adjustable glides and ganging hardware included.

### Notes

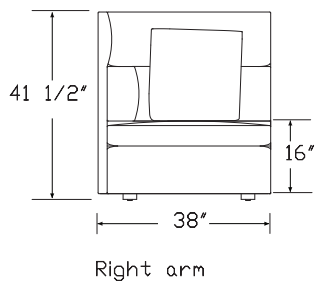
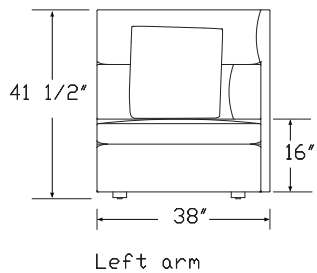
Handedness is determined from a seated position.

Corner piece can be used as end piece.

Customer's Own Material (COM) requires 8 yards. Customer's Own Leather (COL) requires 160 square feet. See Order Information in Appendices.

Limited textile selection available. See application chart in appendices.

## Dimensions



## Specification Information

### Step 1.

**AL2C**  A

### Step 2. Configuration

**700R** right arm corner  A

**700L** left arm corner  A

### Step 3. Upholstery Assignment

**S** single fabric  A

### Prices for Steps 1-3.

**AL2C700R S** \$3900

**AL2C700L S** \$3900

### Step 4. Leg Finish

**EN** ebony  A +\$0

### Step 5. Fabric

Price Category 1  A +\$0

Price Category 2 +\$213

Price Category 3 +\$122

Price Category (Geiger) 3 +\$136

Price Category 4 +\$279

Price Category 5 +\$475

Price Category 7 +\$886

Price Category (Geiger) 7 +\$997

Price Category 9 +\$1333

Price Category 10 +\$1742

Price Category 11 +\$2030

Price Category 14 +\$2481

Price Category E +\$798

Price Category G +\$1159

Price Category H +\$1408

Price Category J +\$1913

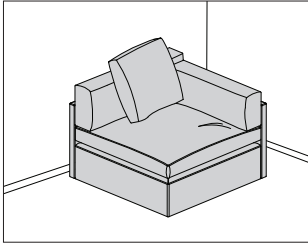
### Step 6. Fire Retardancy

**NFR** not fire retardant  A +\$0

**FR** fire retardant  A +\$500

Module Lounge Seating Single  
Seat

AL2C1  
AL2C2



**Product Information**

**Description**

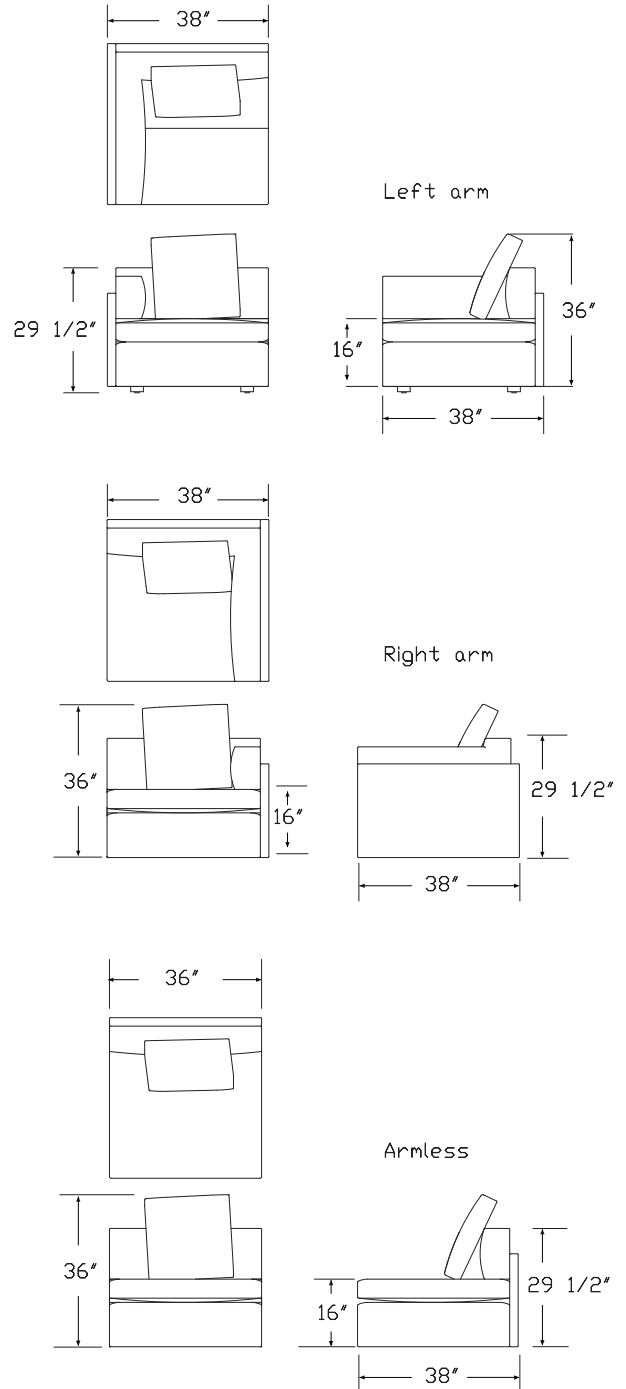
This single seat has an attached seat cushion and loose back, side and throw cushions. Adjustable glides and ganging hardware included.

**Notes**

Handedness is determined from a seated position.

Customer's Own Material (COM) requires 5 yards for armless, or 7½ yards for right arm and left arm configurations. Customer's Own Leather (COL) requires 90 square feet for armless, or 130 square feet for right arm and left arm configurations. See Order Information in Appendices. Limited textile selection available. See application chart in appendices.

**Dimensions**



# Module Lounge Seating Single Seat *continued*

## Specification Information

Step 1.

**AL2C**  A

Step 2. Configuration

**2000** armless  A

**100R** right arm  A

**100L** left arm  A

Step 3. Upholstery Assignment

**S** single fabric  A

Prices for Steps 1-3.

**AL2C2000 S** \$3100

**AL2C100R S** \$3600

**AL2C100L S** \$3600

Step 4. Leg Finish

**EN** ebony  A +\$0

Step 5. Fabric

Price Category 1  A +\$0

Price Category 2 +\$90

Price Category 3 +\$114

Price Category (Geiger) 3 +\$76

Price Category 4 +\$262

Price Category 5 +\$297

Price Category 7 +\$554

Price Category (Geiger) 7 +\$554

Price Category 9 +\$1176

Price Category 10 +\$1633

Price Category 11 +\$1903

Price Category 14 +\$2189

Price Category E +\$443

Price Category G +\$842

Price Category H +\$1051

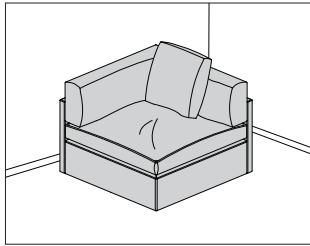
Price Category J +\$1621

Step 6. Fire Retardancy

**NFR** not fire retardant  A +\$0

**FR** fire retardant  A +\$400





**Product Information**

**Description**

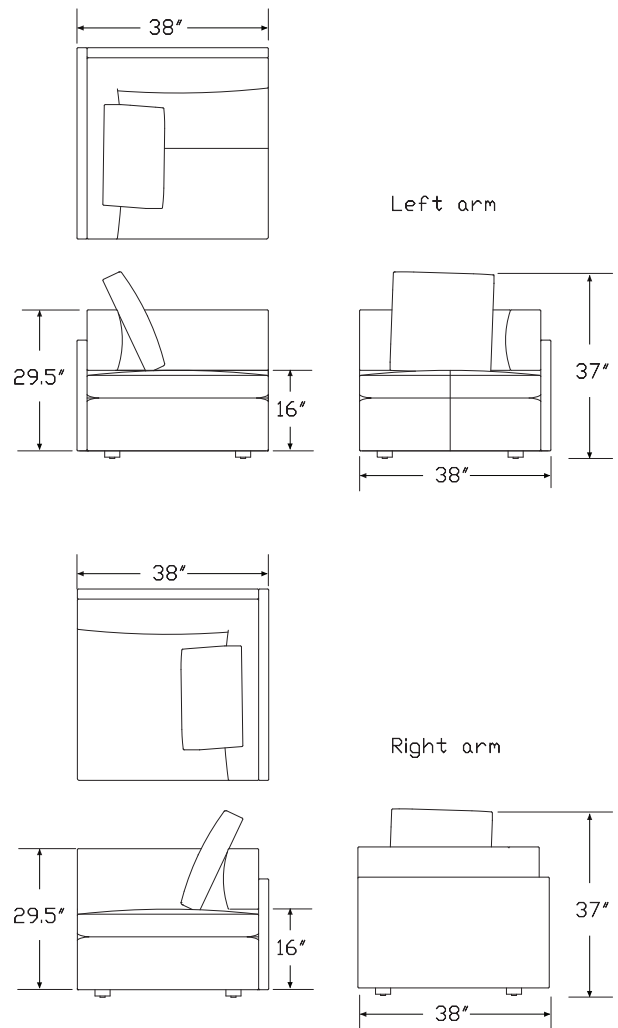
This corner has an attached seat cushion and loose back, side, and throw cushions. Adjustable glides and ganging hardware included.

**Notes**

Customer's Own Material (COM) requires 7½ yards. Customer's Own Leather (COL) requires 130 square feet. See Order Information in Appendices.

Limited textile selection available. See application chart in appendices.

**Dimensions**



# Module Lounge Seating Corner

continued

## Specification Information

Step 1.

**AL2C**  A

Step 2. Configuration

**3000** corner  A

Step 3. Upholstery Assignment

**S** single fabric  A

Prices for Steps 1-3.

**AL2C3000 S** \$3800

Step 4. Leg Finish

**EN** ebony  A +\$0

Step 5. Fabric

Price Category 1  A +\$0

Price Category 2 +\$90

Price Category 3 +\$114

Price Category (Geiger) 3 +\$111

Price Category 4 +\$262

Price Category 5 +\$446

Price Category 7 +\$831

Price Category (Geiger) 7 +\$831

Price Category 9 +\$1176

Price Category 10 +\$1633

Price Category 11 +\$1903

Price Category 14 +\$2189

Price Category E +\$665

Price Category G +\$271

Price Category H +\$1051

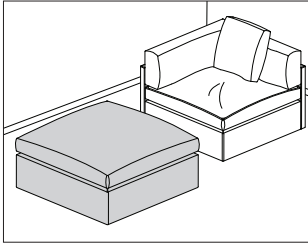
Price Category J +\$1621

Step 6. Fire Retardancy

**NFR** not fire retardant  A +\$0

**FR** fire retardant  A +\$450

Module Lounge Seating Ottoman AL2C4



**Product Information**

**Description**

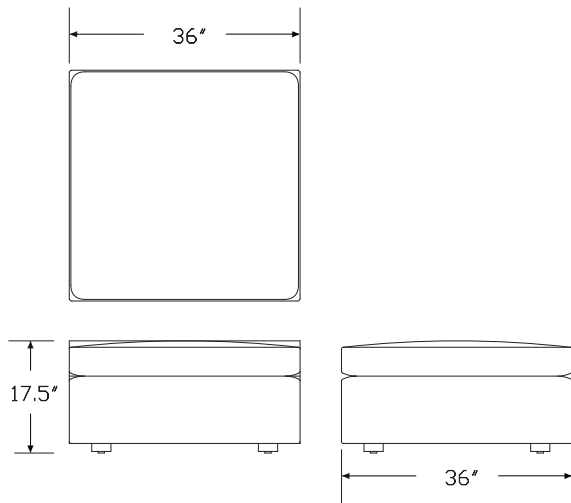
This ottoman has adjustable glides. Connecting hardware included.

**Notes**

Customer's Own Material (COM) requires 3 1/2 yards. Customer's Own Leather (COL) requires 57 square feet. See Order Information in Appendices.

Limited textile selection available. See application chart in appendices.

**Dimensions**



**Specification Information**

**Step 1.**

**AL2C**  A

**Step 2. Configuration**

**4000** ottoman  A

**Step 3. Upholstery Assignment**

**S** single fabric  A

**Prices for Steps 1-3.**

**AL2C4000 S** \$1999

**Step 4. Leg Finish**

**EN** ebony  A +\$0

**Step 5. Fabric**

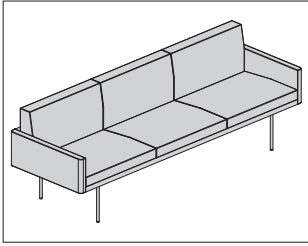
Price Category 1 <input type="checkbox"/> A	+\$0
Price Category 2	+\$88
Price Category 3	+\$53
Price Category (Geiger) 3	+\$50
Price Category 4	+\$122
Price Category 5	+\$208
Price Category 7	+\$380
Price Category (Geiger) 7	+\$360
Price Category 9	+\$549
Price Category 10	+\$762
Price Category 11	+\$888
Price Category 14	+\$1021
Price Category E	+\$310
Price Category G	+\$359
Price Category H	+\$421
Price Category J	+\$512

**Step 6. Fire Retardancy**

<b>NFR</b> not fire retardant <input type="checkbox"/> A	+\$0
<b>FR</b> fire retardant <input type="checkbox"/> A	+\$200

# Tuxedo Component Lounge™ Sofa

ST3AL  
ST3AN  
ST3AQ  
ST3AR  
ST3NN  
ST3NQ



## Product Information

### Description

This sofa has a foam and Dacron® seat with a painted or plated steel base.

### Notes

Customer's Own Material (COM)/Customer's Own Leather (COL) requires the following:

Type—COM—COL

ST3NN—11¼ yards—202½ square feet

ST3NQ—11¼ yards—202½ square feet

ST3AN—13 yards—234 square feet

ST3AQ—13 yards—234 square feet

ST3ALN—12¼ yards—220½ square feet

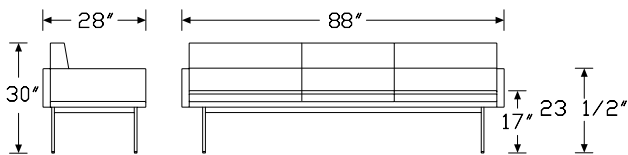
ST3ARN—12¼ yards—220½ square feet

ST3ALQ—12¼ yards—220½ square feet

ST3ARQ—12¼ yards—220½ square feet

See Order Information in Appendices for more information.

### Dimensions



## Specification Information

### Step 1.

ST3  A

### Step 2. Arms

N no arms  A

A arms  A

AL arm left, armless right  A

AR arm right, armless left  A

### Step 3. Upholstery Type

N not quilted  A

Q quilted  A

### Prices for Steps 1-3.

ST3NN		\$4933
ST3NQ		\$5096
ST3AN		\$5537
ST3AQ		\$5709
ST3AL N		\$5260
	Q	\$5430
ST3AR N		\$5260
	Q	\$5430

### Step 4. Upholstery

#### For not quilted (N)

	N	A	AL	AR
Price Category (Geiger) 1	+\$439	507	478	478
Price Category 1	+\$0	0	0	0
Price Category (Geiger) 2	+\$529	611	576	576
Price Category 2	+\$529	611	576	576
Price Category (Geiger) 3	+\$664	767	723	723
Price Category 3	+\$664	767	723	723
Price Category (Geiger) 4	+\$810	936	882	882
Price Category 4	+\$810	936	882	882
Price Category (Geiger) 5	+\$1181	1365	1287	1287
Price Category 5	+\$1181	1365	1287	1287
Price Category (Geiger) 6	+\$1553	1794	1691	1691
Price Category (Geiger) 7	+\$1924	2223	2095	2095
Price Category (Geiger) 8	+\$2948	3406	3210	3210
Price Category (Geiger) 9	+\$3656	4225	3982	3982
Price Category 9	+\$4225	4225	3982	3982
Price Category (Geiger) 10	+\$4208	4862	4582	4582
Price Category (Geiger) 11	+\$4714	5447	5133	5133
Price Category 14	+\$6176	7137	6726	6726

# Tuxedo Component Lounge™ Sofa

continued

Price Category (Geiger) A	+\$371	429	405	405
Price Category (Geiger) C	+\$596	689	650	650
Price Category (Geiger) D	+\$788	910	858	858
Price Category (Geiger) E	+\$956	1105	1042	1042
Price Category (Geiger) F	+\$1148	1326	1250	1250
Price Category (Geiger) G	+\$1564	1807	1703	1703
Price Category G	+\$0	0	1703	1703
Price Category (Geiger) H	+\$1946	2249	2120	2120
Price Category (Geiger) I	+\$2351	2717	2561	2561
Price Category (Geiger) J	+\$2756	3185	3002	3002
Price Category (Geiger) K	+\$3161	3653	3443	3443
Price Category (Geiger) L	+\$3566	4121	3884	3884
Price Category (Geiger) M	+\$3971	4589	4325	4325
Price Category (Geiger) N	+\$4376	5057	4766	4766
Price Category (Geiger) O	+\$4781	5525	5207	5207
Price Category (Geiger) P	+\$5175	5980	5635	5635
Price Category (Geiger) Q	+\$5974	6903	6505	6505
Price Category (Geiger) R	+\$8325	9620	9065	9065
Price Category (Geiger) S	+\$8944	10335	9739	9739
Price Category (Geiger) V	+\$10800	12480	11760	11760
Price Category (Geiger) X	+\$12038	13910	13108	13108
Price Category (Geiger) Y	+\$12656	14625	13782	13782
Price Category (Geiger) COM <sup>A</sup>	+\$0	0	0	0
Price Category (Geiger) COL <sup>A</sup>	+\$810	936	882	882

## For quilted (Q)

	N	A	AL	AR
Price Category (Geiger) 1	+\$439	507	478	478
Price Category 1	+\$0	0	0	0
Price Category (Geiger) 2	+\$529	611	576	576
Price Category 2	+\$529	611	576	576
Price Category (Geiger) 3	+\$664	767	723	723
Price Category 3	+\$664	767	723	723
Price Category (Geiger) 4	+\$810	936	882	882
Price Category 4	+\$810	936	882	882
Price Category (Geiger) 5	+\$1181	1365	1287	1287
Price Category 5	+\$1181	1365	1287	1287
Price Category (Geiger) 6	+\$1553	1794	1691	1691
Price Category (Geiger) 7	+\$1924	2223	2095	2095
Price Category (Geiger) 8	+\$2948	3406	3210	3210
Price Category (Geiger) 9	+\$3656	4225	3982	3982
Price Category 9	+\$4225	4225	3982	3982
Price Category (Geiger) 10	+\$4208	4862	4582	4582
Price Category (Geiger) 11	+\$4714	5447	5133	5133
Price Category 14	+\$6176	7137	6726	6726
Price Category (Geiger) A	+\$371	429	405	405
Price Category (Geiger) C	+\$596	689	650	650

Price Category (Geiger) D	+\$788	910	858	858
Price Category (Geiger) E	+\$956	1105	1042	1042
Price Category (Geiger) F	+\$1148	1326	1250	1250
Price Category (Geiger) G	+\$1564	1807	1703	1703
Price Category G	+\$0	0	1703	1703
Price Category (Geiger) H	+\$1946	2249	2120	2120
Price Category (Geiger) I	+\$2351	2717	2561	2561
Price Category (Geiger) J	+\$2756	3185	3002	3002
Price Category (Geiger) K	+\$3161	3653	3443	3443
Price Category (Geiger) L	+\$3566	4121	3884	3884
Price Category (Geiger) M	+\$3971	4589	4325	4325
Price Category (Geiger) N	+\$4376	5057	4766	4766
Price Category (Geiger) O	+\$4781	5525	5207	5207
Price Category (Geiger) P	+\$5175	5980	5635	5635
Price Category (Geiger) Q	+\$5974	6903	6505	6505
Price Category (Geiger) R	+\$8325	9620	9065	9065
Price Category (Geiger) S	+\$8944	10335	9739	9739
Price Category (Geiger) V	+\$10800	12480	11760	11760
Price Category (Geiger) COM <sup>A</sup>	+\$0	0	0	0
Price Category (Geiger) COL <sup>A</sup>	+\$810	936	882	882

## Step 5. Base Finish

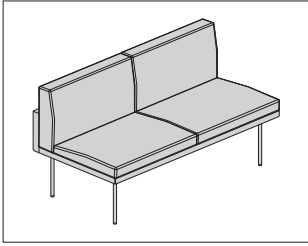
<b>926</b> black <sup>A</sup>				+\$0
<b>AS</b> arctic silver <sup>A</sup>				+\$0
<b>WHT</b> white <sup>A</sup>				+\$0
<b>BNZ</b> bronze <sup>A</sup>				+\$645
<b>CHR</b> chrome <sup>A</sup>				+\$645
<b>SAC</b> satin chrome <sup>A</sup>				+\$645

## Step 6. Fire Retardancy

	N	A	AL	AR
<b>NOCAL</b> not fire retardant <sup>A</sup>	+\$0	0	0	0
<b>133</b> fire retardant <sup>A</sup>	+\$732	845	797	797

# Tuxedo Component Lounge™ Settee

ST2AL  
ST2AN  
ST2AQ  
ST2AR  
ST2NN  
ST2NQ



## Product Information

### Description

This settee has a foam and Dacron® seat with a painted or plated steel base.

### Notes

Customer's Own Material (COM)/Customer's Own Leather (COL) requires the following:

Type—COM—COL

ST2NN—7½ yards—135 square feet

ST2NQ—7½ yards—135 square feet

ST2AN—9¼ yards—166½ square feet

ST2AQ—9¼ yards—166½ square feet

ST2ALN—8½ yards—153 square feet

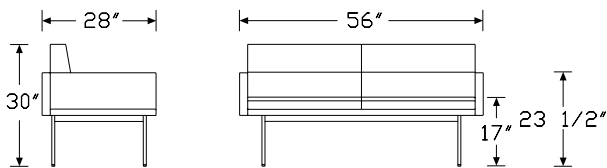
ST2ARN—8½ yards—153 square feet

ST2ALQ—8½ yards—153 square feet

ST2ARQ—8½ yards—153 square feet

See Order Information in Appendices for more information.

## Dimensions



## Specification Information

### Step 1.

ST2  A

### Step 2. Arms

N no arms  A

A arms  A

AL arm left, armless right  A

AR arm right, armless left  A

### Step 3. Upholstery Type

N not quilted  A

Q quilted  A

### Prices for Steps 1-3.

ST2NN		\$3564
ST2NQ		\$3668
ST2AN		\$4057
ST2AQ		\$4334
ST2AL N		\$3780
	Q	\$3910
ST2AR N		\$3780
	Q	\$3910

### Step 4. Upholstery

#### For not quilted (N)

	N	A	AL	AR
Price Category (Geiger) 1	+\$293	361	332	332
Price Category 1	+\$0	0	0	0
Price Category (Geiger) 2	+\$353	435	400	400
Price Category 2	+\$353	435	400	400
Price Category (Geiger) 3	+\$443	546	502	502
Price Category 3	+\$443	546	502	502
Price Category (Geiger) 4	+\$540	666	612	612
Price Category 4	+\$540	666	612	612
Price Category (Geiger) 5	+\$788	971	893	893
Price Category 5	+\$788	971	893	893
Price Category (Geiger) 6	+\$1035	1277	1173	1173
Price Category (Geiger) 7	+\$1283	1582	1454	1454
Price Category (Geiger) 8	+\$1965	2424	2227	2227
Price Category (Geiger) 9	+\$2438	3006	2763	2763
Price Category 9	+\$3006	3006	2763	2763
Price Category (Geiger) 10	+\$2805	3460	3179	3179
Price Category (Geiger) 11	+\$3143	3876	3562	3562
Price Category 14	+\$4118	5078	4667	4667

# Tuxedo Component Lounge™ Settee *continued*

Price Category (Geiger) A	+\$248	305	281	281
Price Category (Geiger) C	+\$398	490	451	451
Price Category (Geiger) D	+\$525	648	595	595
Price Category (Geiger) E	+\$638	786	723	723
Price Category (Geiger) F	+\$765	944	867	867
Price Category (Geiger) G	+\$1043	1286	1182	1182
Price Category (Geiger) H	+\$1298	1600	1471	1471
Price Category (Geiger) I	+\$1568	1933	1777	1777
Price Category (Geiger) J	+\$1838	2266	2083	2083
Price Category (Geiger) K	+\$2108	2599	2389	2389
Price Category (Geiger) L	+\$2378	2932	2695	2695
Price Category (Geiger) M	+\$2648	3265	3001	3001
Price Category (Geiger) N	+\$2918	3598	3307	3307
Price Category (Geiger) O	+\$3188	3931	3613	3613
Price Category (Geiger) P	+\$3450	4255	3910	3910
Price Category (Geiger) Q	+\$3983	4912	4514	4514
Price Category (Geiger) R	+\$5550	6845	6290	6290
Price Category (Geiger) S	+\$5963	7354	6758	6758
Price Category (Geiger) V	+\$7200	8880	8160	8160
Price Category (Geiger) X	+\$8025	9898	9095	9095
Price Category (Geiger) Y	+\$8438	10406	9563	9563
Price Category (Geiger) COM <sup>A</sup>	+\$0	0	0	0
Price Category (Geiger) COL <sup>A</sup>	+\$540	666	612	612

## For quilted (Q)

	N	A	AL	AR
Price Category (Geiger) 1	+\$293	361	332	332
Price Category 1	+\$0	0	0	0
Price Category (Geiger) 2	+\$353	435	400	400
Price Category 2	+\$353	435	400	400
Price Category (Geiger) 3	+\$443	546	502	502
Price Category 3	+\$443	546	502	502
Price Category (Geiger) 4	+\$540	666	612	612
Price Category 4	+\$540	666	612	612
Price Category (Geiger) 5	+\$788	971	893	893
Price Category 5	+\$788	971	893	893
Price Category (Geiger) 6	+\$1035	1277	1173	1173
Price Category (Geiger) 7	+\$1283	1582	1454	1454
Price Category (Geiger) 8	+\$1965	2424	2227	2227
Price Category (Geiger) 9	+\$2438	3006	2763	2763
Price Category 9	+\$3006	3006	2763	2763
Price Category (Geiger) 10	+\$2805	3460	3179	3179
Price Category (Geiger) 11	+\$3143	3876	3562	3562
Price Category 14	+\$4118	5078	4667	4667
Price Category (Geiger) A	+\$248	305	281	281
Price Category (Geiger) C	+\$398	490	451	451
Price Category (Geiger) D	+\$525	648	595	595

Price Category (Geiger) E	+\$638	786	723	723
Price Category (Geiger) F	+\$765	944	867	867
Price Category (Geiger) G	+\$1043	1286	1182	1182
Price Category (Geiger) H	+\$1298	1600	1471	1471
Price Category (Geiger) I	+\$1568	1933	1777	1777
Price Category (Geiger) J	+\$1838	2266	2083	2083
Price Category (Geiger) K	+\$2108	2599	2389	2389
Price Category (Geiger) L	+\$2378	2932	2695	2695
Price Category (Geiger) M	+\$2648	3265	3001	3001
Price Category (Geiger) N	+\$2918	3598	3307	3307
Price Category (Geiger) O	+\$3188	3931	3613	3613
Price Category (Geiger) P	+\$3450	4255	3910	3910
Price Category (Geiger) Q	+\$3983	4912	4514	4514
Price Category (Geiger) R	+\$5550	6845	6290	6290
Price Category (Geiger) S	+\$5963	7354	6758	6758
Price Category (Geiger) V	+\$7200	8880	8160	8160
Price Category (Geiger) COM <sup>A</sup>	+\$0	0	0	0
Price Category (Geiger) COL <sup>A</sup>	+\$540	666	612	612

## Step 5. Base Finish

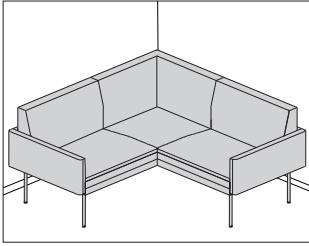
<b>926</b> black <sup>A</sup>				+\$0
<b>AS</b> arctic silver <sup>A</sup>				+\$0
<b>WHT</b> white <sup>A</sup>				+\$0
<b>BNZ</b> bronze <sup>A</sup>				+\$645
<b>CHR</b> chrome <sup>A</sup>				+\$645
<b>SAC</b> satin chrome <sup>A</sup>				+\$645

## Step 6. Fire Retardancy

	N	A	AL	AR
<b>NOCAL</b> not fire retardant <sup>A</sup>	+\$0	0	0	0
<b>133</b> fire retardant <sup>A</sup>	+\$488	602	553	553

Tuxedo Component Lounge™  
Settee Corner

ST2CL  
ST2CR



**Product Information**

**Description**

This corner settee has a foam and Dacron® seat with a painted or plated steel base.

**Notes**

Customer's Own Material (COM)/Customer's Own Leather (COL) requires the following:

Type—COM—COL

ST2CLNN/ST2CRNN—9¼ yards—166½ square feet

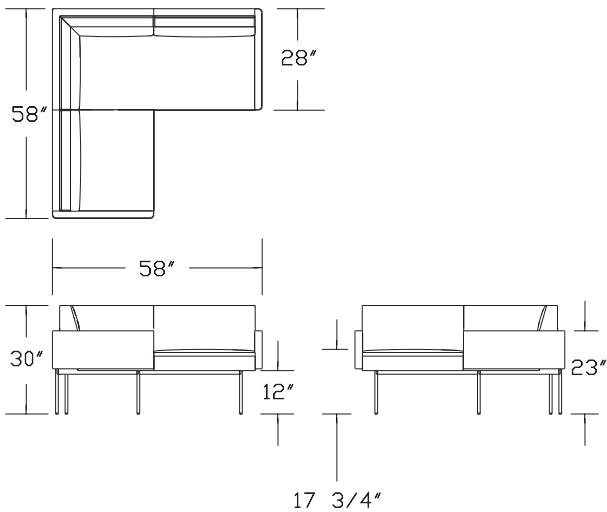
ST2CLNQ/ST2CRNQ—9¼ yards—166½ square feet

ST2CLAN/ST2CRAN—10¼ yards—184½ square feet

ST2CLAQ/ST2CRAQ—10¼ yards—184½ square feet

See Order Information in Appendices for more information.

**Dimensions**



**Specification Information**

**Step 1.**

**ST2C**  A

**Step 2. Corner**

**L** corner left  A

**R** corner right  A

**Step 3. Arms**

**N** no arms  A

**A** arms  A

**Step 4. Upholstery Type**

**N** not quilted  A

**Q** quilted  A

**Prices for Steps 1-4.**

		N	Q
<b>ST2CL</b>	<b>N</b>	\$4301	4373
	<b>A</b>	\$4484	4675
<b>ST2CR</b>	<b>N</b>	\$4301	4373
	<b>A</b>	\$4484	4675

**Step 5. Upholstery**

*For not quilted (N)*

	N	A
Price Category (Geiger) 1	+\$293	361
Price Category 1	+\$0	0
Price Category (Geiger) 2	+\$353	435
Price Category 2	+\$353	435
Price Category (Geiger) 3	+\$443	546
Price Category 3	+\$443	546
Price Category (Geiger) 4	+\$540	666
Price Category 4	+\$540	666
Price Category (Geiger) 5	+\$788	971
Price Category 5	+\$788	971
Price Category (Geiger) 6	+\$1035	1277
Price Category (Geiger) 7	+\$1283	1582
Price Category (Geiger) 8	+\$1965	2424
Price Category (Geiger) 9	+\$2438	3006
Price Category 9	+\$3006	3006
Price Category (Geiger) 10	+\$2805	3460
Price Category (Geiger) 11	+\$3143	3876
Price Category 14	+\$4118	5078
Price Category (Geiger) A	+\$248	305



# Tuxedo Component Lounge™ Settee Corner *continued*

Price Category (Geiger) C	+\$398	490
Price Category (Geiger) D	+\$525	648
Price Category (Geiger) E	+\$638	786
Price Category (Geiger) F	+\$765	944
Price Category (Geiger) G	+\$1043	1286
Price Category G	+\$0	0
Price Category (Geiger) H	+\$1298	1600
Price Category (Geiger) I	+\$1568	1933
Price Category (Geiger) J	+\$1838	2266
Price Category (Geiger) K	+\$2108	2599
Price Category (Geiger) L	+\$2378	2932
Price Category (Geiger) M	+\$2648	3265
Price Category (Geiger) N	+\$2918	3598
Price Category (Geiger) O	+\$3188	3931
Price Category (Geiger) P	+\$3450	4255
Price Category (Geiger) Q	+\$3983	4912
Price Category (Geiger) R	+\$5550	6845
Price Category (Geiger) S	+\$5963	7354
Price Category (Geiger) V	+\$7200	8880
Price Category (Geiger) X	+\$8025	9898
Price Category (Geiger) Y	+\$8438	10406
Price Category (Geiger) COM <sup>A</sup>	+\$0	0
Price Category (Geiger) COL <sup>A</sup>	+\$540	666

## For quilted (Q)

	N	A
Price Category (Geiger) 1	+\$293	361
Price Category 1	+\$0	0
Price Category (Geiger) 2	+\$353	435
Price Category 2	+\$353	435
Price Category (Geiger) 3	+\$443	546
Price Category 3	+\$443	546
Price Category (Geiger) 4	+\$540	666
Price Category 4	+\$540	666
Price Category (Geiger) 5	+\$788	971
Price Category 5	+\$788	971
Price Category (Geiger) 6	+\$1035	1277
Price Category (Geiger) 7	+\$1283	1582
Price Category (Geiger) 8	+\$1965	2424
Price Category (Geiger) 9	+\$2438	3006
Price Category 9	+\$3006	3006
Price Category (Geiger) 10	+\$2805	3460
Price Category (Geiger) 11	+\$3143	3876
Price Category 14	+\$4118	5078
Price Category (Geiger) A	+\$248	305
Price Category (Geiger) C	+\$398	490
Price Category (Geiger) D	+\$525	648

Price Category (Geiger) E	+\$638	786
Price Category (Geiger) F	+\$765	944
Price Category (Geiger) G	+\$1043	1286
Price Category G	+\$0	0
Price Category (Geiger) H	+\$1298	1600
Price Category (Geiger) I	+\$1568	1933
Price Category (Geiger) J	+\$1838	2266
Price Category (Geiger) K	+\$2108	2599
Price Category (Geiger) L	+\$2378	2932
Price Category (Geiger) M	+\$2648	3265
Price Category (Geiger) N	+\$2918	3598
Price Category (Geiger) O	+\$3188	3931
Price Category (Geiger) P	+\$3450	4255
Price Category (Geiger) Q	+\$3983	4912
Price Category (Geiger) R	+\$5550	6845
Price Category (Geiger) S	+\$5963	7354
Price Category (Geiger) V	+\$7200	8880
Price Category (Geiger) COM <sup>A</sup>	+\$0	0
Price Category (Geiger) COL <sup>A</sup>	+\$540	666

## Step 6. Base Finish

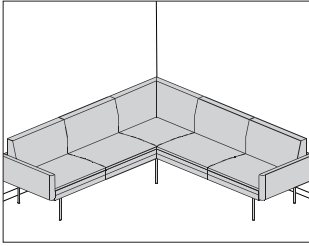
<b>926</b> black <sup>A</sup>	+\$0
<b>AS</b> arctic silver <sup>A</sup>	+\$0
<b>WHT</b> white <sup>A</sup>	+\$0
<b>BNZ</b> bronze <sup>A</sup>	+\$645
<b>CHR</b> chrome <sup>A</sup>	+\$645
<b>SAC</b> satin chrome <sup>A</sup>	+\$645

## Step 7. Fire Retardancy

	N	A
<b>NOCAL</b> not fire retardant <sup>A</sup>	+\$0	0
<b>133</b> fire retardant <sup>A</sup>	+\$602	488

Tuxedo Component Lounge™ Sofa  
Corner

ST3CL  
ST3CR



**Product Information**

**Description**

This corner sofa has a foam and Dacron® seat with a painted or plated steel base.

**Notes**

Customer's Own Material (COM)/Customer's Own Leather (COL) requires the following:

Type—COM—COL

ST3CLNN/ST3CRNN—13 yards—234 square feet

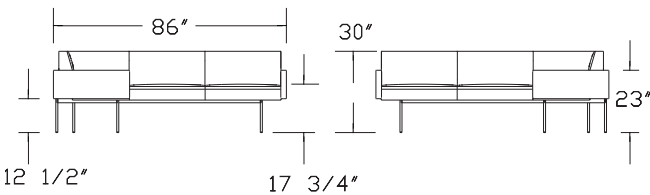
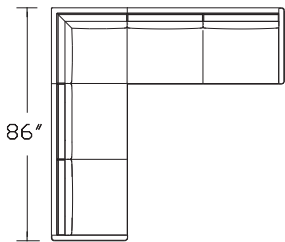
ST3CLNQ/ST3CRNQ—13 yards—234 square feet

ST3CLAN/ST3CRAN—14 yards—252 square feet

ST3CLAQ/ST3CRAQ—14 yards—252 square feet

See Order Information in Appendices for more information.

**Dimensions**



**Specification Information**

**Step 1.**

ST3C  A

**Step 2. Corner**

L corner left  A

R corner right  A

**Step 3. Arms**

N no arms  A

A arms  A

**Step 4. Upholstery Type**

N not quilted  A

Q quilted  A

**Prices for Steps 1-4.**

		N	Q
ST3CL	N	\$5694	5765
	A	\$5899	6066
ST3CR	N	\$5694	5765
	A	\$5899	6066

**Step 5. Upholstery**

*For not quilted (N)*

	N	A
Price Category (Geiger) 1	+\$507	546
Price Category 1	+\$0	0
Price Category (Geiger) 2	+\$611	658
Price Category 2	+\$611	658
Price Category (Geiger) 3	+\$767	826
Price Category 3	+\$767	826
Price Category (Geiger) 4	+\$936	1008
Price Category 4	+\$936	1008
Price Category (Geiger) 5	+\$1365	1470
Price Category 5	+\$1365	1470
Price Category (Geiger) 6	+\$1794	1932
Price Category (Geiger) 7	+\$2223	2394
Price Category (Geiger) 8	+\$3406	3668
Price Category (Geiger) 9	+\$4225	4550
Price Category 9	+\$4225	4550
Price Category (Geiger) 10	+\$4862	5236
Price Category (Geiger) 11	+\$5447	5866
Price Category 14	+\$7137	7686
Price Category (Geiger) A	+\$429	462

# Tuxedo Component Lounge™ Sofa

## Corner *continued*

Price Category (Geiger) C	+\$689	742
Price Category (Geiger) D	+\$910	980
Price Category (Geiger) E	+\$1105	1190
Price Category (Geiger) F	+\$1326	1428
Price Category (Geiger) G	+\$1807	1946
Price Category G	+\$1807	1946
Price Category (Geiger) H	+\$2249	2422
Price Category (Geiger) I	+\$2717	2926
Price Category (Geiger) J	+\$3185	3430
Price Category (Geiger) K	+\$3653	3934
Price Category (Geiger) L	+\$4121	4438
Price Category (Geiger) M	+\$4589	4942
Price Category (Geiger) N	+\$5057	5446
Price Category (Geiger) O	+\$5525	5950
Price Category (Geiger) P	+\$5980	6440
Price Category (Geiger) Q	+\$6903	7434
Price Category (Geiger) R	+\$9620	10360
Price Category (Geiger) S	+\$10335	11130
Price Category (Geiger) V	+\$12480	13440
Price Category (Geiger) X	+\$13910	14980
Price Category (Geiger) Y	+\$14625	15750
Price Category (Geiger) COM <span style="border: 1px solid black; padding: 0 2px;">A</span>	+\$0	0
Price Category (Geiger) COL <span style="border: 1px solid black; padding: 0 2px;">A</span>	+\$936	1008

### For quilted (Q)

	N	A
Price Category (Geiger) 1	+\$507	546
Price Category 1	+\$0	0
Price Category (Geiger) 2	+\$611	658
Price Category 2	+\$611	658
Price Category (Geiger) 3	+\$767	826
Price Category 3	+\$767	826
Price Category (Geiger) 4	+\$936	1008
Price Category 4	+\$936	1008
Price Category (Geiger) 5	+\$1365	1470
Price Category 5	+\$1365	1470
Price Category (Geiger) 6	+\$1794	1932
Price Category (Geiger) 7	+\$2223	2394
Price Category (Geiger) 8	+\$3406	3668
Price Category (Geiger) 9	+\$4225	4550
Price Category 9	+\$4225	4550
Price Category (Geiger) 10	+\$4862	5236
Price Category (Geiger) 11	+\$5447	5866
Price Category 14	+\$7137	7686
Price Category (Geiger) A	+\$429	462
Price Category (Geiger) C	+\$689	742
Price Category (Geiger) D	+\$910	980

Price Category (Geiger) E	+\$1105	1190
Price Category (Geiger) F	+\$1326	1428
Price Category (Geiger) G	+\$1807	1946
Price Category G	+\$1807	1946
Price Category (Geiger) H	+\$2249	2422
Price Category (Geiger) I	+\$2717	2926
Price Category (Geiger) J	+\$3185	3430
Price Category (Geiger) K	+\$3653	3934
Price Category (Geiger) L	+\$4121	4438
Price Category (Geiger) M	+\$4589	4942
Price Category (Geiger) N	+\$5057	5446
Price Category (Geiger) O	+\$5525	5950
Price Category (Geiger) P	+\$5980	6440
Price Category (Geiger) Q	+\$6903	7434
Price Category (Geiger) R	+\$9620	10360
Price Category (Geiger) S	+\$10335	11130
Price Category (Geiger) V	+\$12480	13440
Price Category (Geiger) COM <span style="border: 1px solid black; padding: 0 2px;">A</span>	+\$0	0
Price Category (Geiger) COL <span style="border: 1px solid black; padding: 0 2px;">A</span>	+\$936	1008

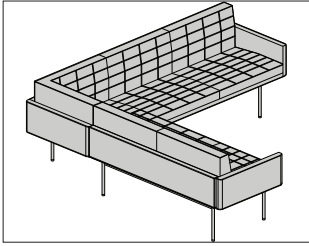
### Step 6. Base Finish

<b>926</b> black <span style="border: 1px solid black; padding: 0 2px;">A</span>	+\$0
<b>AS</b> arctic silver <span style="border: 1px solid black; padding: 0 2px;">A</span>	+\$0
<b>WHT</b> white <span style="border: 1px solid black; padding: 0 2px;">A</span>	+\$0
<b>BNZ</b> bronze <span style="border: 1px solid black; padding: 0 2px;">A</span>	+\$645
<b>CHR</b> chrome <span style="border: 1px solid black; padding: 0 2px;">A</span>	+\$645
<b>SAC</b> satin chrome <span style="border: 1px solid black; padding: 0 2px;">A</span>	+\$645

### Step 7. Fire Retardancy

	N	A
<b>NOCAL</b> not fire retardant <span style="border: 1px solid black; padding: 0 2px;">A</span>	+\$0	0
<b>133</b> fire retardant <span style="border: 1px solid black; padding: 0 2px;">A</span>	+\$910	845

Tuxedo Component Lounge™ ST2MN  
 Corner Sofa with Attached Settee ST2MQ

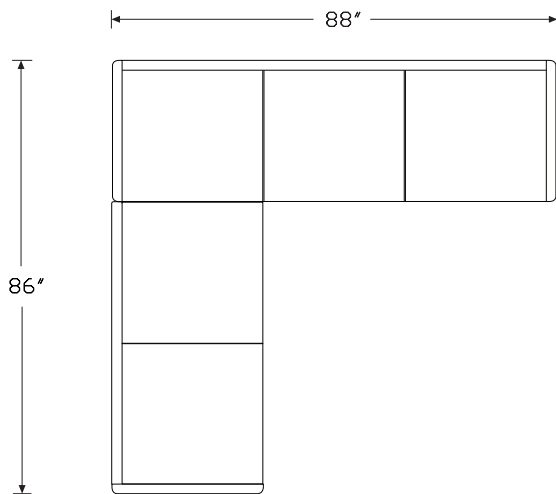
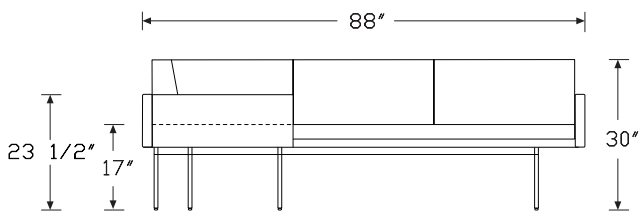


**Product Information**

**Description**  
 This corner sofa with attached settee has a foam and Dacron® seat with a painted or plated steel base.

**Notes**  
 COM/COL requires 25 1/4 yards/450 square feet.

**Dimensions**



Shown above - Corner sofa left, settee right (R)

Herman Miller Collection - Sofas

**Specification Information**

**Step 1.**

**ST2M** A

**Step 2. Upholstery Type**

**N-** not quilted A

**Q-** quilted A

**Step 3. Settee Position**

**L** corner sofa right, settee left A

**R** corner sofa left, settee right A

**Prices for Steps 1-3.**

<b>ST2MN- L</b>	\$9558
<b>R</b>	\$9558

<b>ST2MQ- L</b>	\$9849
<b>R</b>	\$9849

**Step 4. Upholstery**

*For not quilted (N-)*

Price Category (Geiger) 1	+\$0
Price Category 1	+\$0
Price Category (Geiger) 2	+\$0
Price Category 2	+\$0
Price Category (Geiger) 3	+\$1328
Price Category 3	+\$1328
Price Category (Geiger) 4	+\$1620
Price Category 4	+\$1620
Price Category (Geiger) 5	+\$2363
Price Category 5	+\$2363
Price Category (Geiger) 6	+\$3105
Price Category (Geiger) 7	+\$3848
Price Category (Geiger) 8	+\$5895
Price Category (Geiger) 9	+\$7313
Price Category 9	+\$7313
Price Category (Geiger) 10	+\$8415
Price Category (Geiger) 11	+\$9428
Price Category (Geiger) 14	+\$12353
Price Category (Geiger) A	+\$1238
Price Category (Geiger) C	+\$1463
Price Category (Geiger) D	+\$1688
Price Category (Geiger) E	+\$1913
Price Category (Geiger) F	+\$2138
Price Category (Geiger) G	+\$2363
Price Category (Geiger) H	+\$2588

# Tuxedo Component Lounge™ Corner Sofa with Attached Settee

continued

Price Category (Geiger) I	+\$4703
Price Category (Geiger) J	+\$2925
Price Category (Geiger) K	+\$3263
Price Category (Geiger) L	+\$3600
Price Category (Geiger) M	+\$4050
Price Category (Geiger) N	+\$4500
Price Category (Geiger) O	+\$9563
Price Category (Geiger) P	+\$4950
Price Category (Geiger) Q	+\$10125
Price Category (Geiger) R	+\$16650
Price Category (Geiger) S	+\$17888
Price Category (Geiger) V	+\$21600
Price Category (Geiger) X	+\$24075
Price Category (Geiger) Y	+\$25313
Price Category (Geiger) COM <a href="#">A</a>	+\$0
Price Category (Geiger) COL <a href="#">A</a>	+\$2025

*For quilted (Q-)*

Price Category (Geiger) 1	+\$0
Price Category 1	+\$0
Price Category (Geiger) 2	+\$0
Price Category 2	+\$0
Price Category (Geiger) 3	+\$1328
Price Category 3	+\$1328
Price Category (Geiger) 4	+\$1620
Price Category 4	+\$1620
Price Category (Geiger) 5	+\$2363
Price Category 5	+\$2363
Price Category (Geiger) 6	+\$3105
Price Category (Geiger) 7	+\$3848
Price Category (Geiger) 8	+\$5895
Price Category (Geiger) 9	+\$7313
Price Category 9	+\$7313
Price Category (Geiger) 10	+\$8415
Price Category (Geiger) 11	+\$9428
Price Category (Geiger) 14	+\$12353
Price Category (Geiger) A	+\$1238
Price Category (Geiger) C	+\$1463
Price Category (Geiger) D	+\$1688
Price Category (Geiger) E	+\$1913
Price Category (Geiger) F	+\$2138
Price Category (Geiger) G	+\$2363
Price Category (Geiger) H	+\$2588
Price Category (Geiger) I	+\$4703
Price Category (Geiger) J	+\$2925
Price Category (Geiger) K	+\$3263
Price Category (Geiger) L	+\$3600

Price Category (Geiger) M	+\$4050
Price Category (Geiger) N	+\$4500
Price Category (Geiger) O	+\$9563
Price Category (Geiger) P	+\$4950
Price Category (Geiger) Q	+\$10125
Price Category (Geiger) R	+\$16650
Price Category (Geiger) S	+\$17888
Price Category (Geiger) V	+\$21600
Price Category (Geiger) COM <a href="#">A</a>	+\$0
Price Category (Geiger) COL <a href="#">A</a>	+\$2025

Step 5. Base Finish

<b>926</b> black <a href="#">A</a>	+\$0
<b>AS</b> arctic silver <a href="#">A</a>	+\$0
<b>WHT</b> white <a href="#">A</a>	+\$0
<b>BNZ</b> bronze <a href="#">A</a>	+\$1290
<b>CHR</b> chrome <a href="#">A</a>	+\$1290
<b>SAC</b> satin chrome <a href="#">A</a>	+\$1290

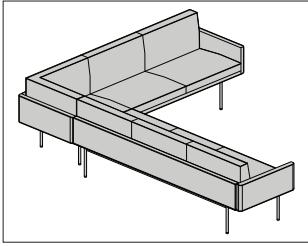
Step 6. Fire Retardancy

<b>NOCAL</b> not fire retardant <a href="#">A</a>	+\$0
<b>133</b> fire retardant <a href="#">A</a>	+\$1463

HermanMiller Collection—Sofas

Tuxedo Component Lounge™  
Corner Sofa with Attached Sofa

ST3MN  
ST3MQ



**Product Information**

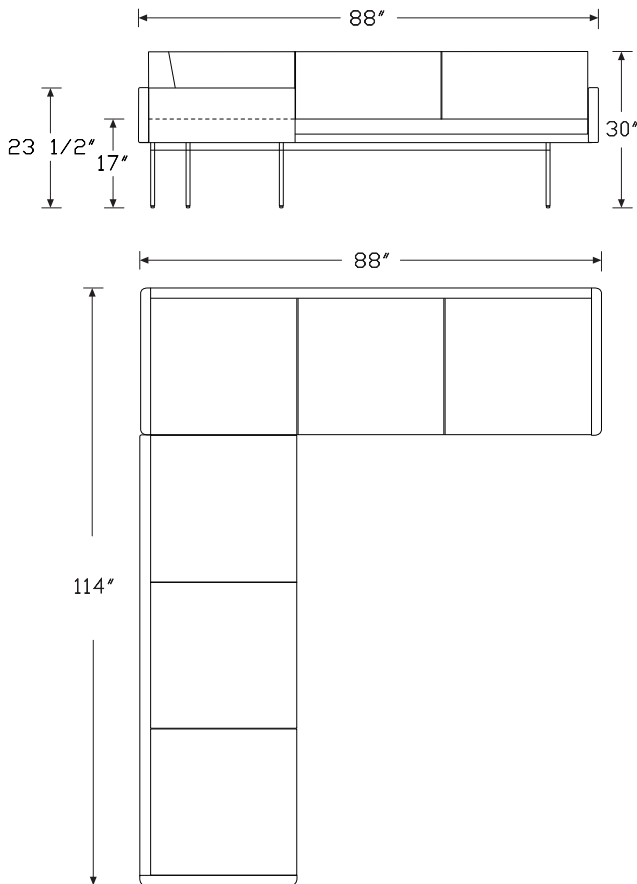
**Description**

This corner sofa with attached sofa has a foam and Dacron® seat with a painted or plated steel base.

**Notes**

COM/COL requires 28½ yards/513 square feet.

**Dimensions**



Shown above - Corner sofa left,  
sofa right (R)

**Specification Information**

**Step 1.**

**ST3M**  A

**Step 2. Upholstery Type**

**N-** not quilted  A

**Q-** quilted  A

**Step 3. Sofa Position**

**L** corner sofa right, sofa left  A

**R** corner sofa left, sofa right  A

**Prices for Steps 1-3.**

<b>ST3MN- L</b>	\$11004
<b>R</b>	\$11004

<b>ST3MQ- L</b>	\$11332
<b>R</b>	\$11332

**Step 4. Upholstery**

*For quilted (Q-)*

Price Category (Geiger) 1	+\$0
Price Category 1	+\$0
Price Category (Geiger) 2	+\$0
Price Category 2	+\$0
Price Category (Geiger) 3	+\$1534
Price Category 3	+\$1534
Price Category (Geiger) 4	+\$1872
Price Category 4	+\$1872
Price Category (Geiger) 5	+\$2730
Price Category 5	+\$2730
Price Category (Geiger) 6	+\$3588
Price Category (Geiger) 7	+\$4446
Price Category (Geiger) 8	+\$6812
Price Category (Geiger) 9	+\$8450
Price Category 9	+\$8450
Price Category (Geiger) 10	+\$9724
Price Category (Geiger) 11	+\$10894
Price Category (Geiger) 14	+\$14247
Price Category (Geiger) A	+\$1430
Price Category (Geiger) C	+\$1690
Price Category (Geiger) D	+\$1950
Price Category (Geiger) E	+\$2210
Price Category (Geiger) F	+\$2470
Price Category (Geiger) G	+\$2730
Price Category (Geiger) H	+\$2990

# Tuxedo Component Lounge™ Corner Sofa with Attached Sofa

continued

Price Category (Geiger) I	+\$5434
Price Category (Geiger) J	+\$3380
Price Category (Geiger) K	+\$3770
Price Category (Geiger) L	+\$4160
Price Category (Geiger) M	+\$4680
Price Category (Geiger) N	+\$5200
Price Category (Geiger) O	+\$11050
Price Category (Geiger) P	+\$5720
Price Category (Geiger) Q	+\$11700
Price Category (Geiger) R	+\$19240
Price Category (Geiger) S	+\$20869
Price Category (Geiger) V	+\$24960
Price Category (Geiger) COM <input type="checkbox"/>	+\$0
Price Category (Geiger) COL <input type="checkbox"/>	+\$2340

## For not quilted (N-)

Price Category (Geiger) 1	+\$0
Price Category 1	+\$0
Price Category (Geiger) 2	+\$0
Price Category 2	+\$0
Price Category (Geiger) 3	+\$1534
Price Category 3	+\$1534
Price Category (Geiger) 4	+\$1872
Price Category 4	+\$1872
Price Category (Geiger) 5	+\$2730
Price Category 5	+\$2730
Price Category (Geiger) 6	+\$3588
Price Category (Geiger) 7	+\$4446
Price Category (Geiger) 8	+\$6812
Price Category (Geiger) 9	+\$8450
Price Category 9	+\$8450
Price Category (Geiger) 10	+\$9724
Price Category (Geiger) 11	+\$10894
Price Category (Geiger) 14	+\$14247
Price Category (Geiger) A	+\$1430
Price Category (Geiger) C	+\$1690
Price Category (Geiger) D	+\$1950
Price Category (Geiger) E	+\$2210
Price Category (Geiger) F	+\$2470
Price Category (Geiger) G	+\$2730
Price Category (Geiger) H	+\$2990
Price Category (Geiger) I	+\$5434
Price Category (Geiger) J	+\$3380
Price Category (Geiger) K	+\$3770
Price Category (Geiger) L	+\$4160
Price Category (Geiger) M	+\$4680
Price Category (Geiger) N	+\$5200

Price Category (Geiger) O	+\$11050
Price Category (Geiger) P	+\$5720
Price Category (Geiger) Q	+\$11700
Price Category (Geiger) R	+\$19240
Price Category (Geiger) S	+\$20869
Price Category (Geiger) V	+\$24960
Price Category (Geiger) X	+\$28088
Price Category (Geiger) Y	+\$29531
Price Category (Geiger) COM <input type="checkbox"/>	+\$0
Price Category (Geiger) COL <input type="checkbox"/>	+\$2340

## Step 5. Base Finish

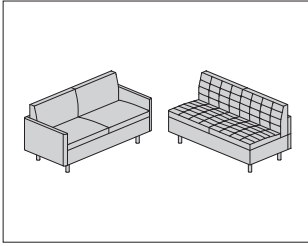
<b>926</b> black <input type="checkbox"/>	+\$0
<b>AS</b> arctic silver <input type="checkbox"/>	+\$0
<b>WHT</b> white <input type="checkbox"/>	+\$0
<b>BNZ</b> bronze <input type="checkbox"/>	+\$1290
<b>CHR</b> chrome <input type="checkbox"/>	+\$1290
<b>SAC</b> satin chrome <input type="checkbox"/>	+\$1290

## Step 6. Fire Retardancy

<b>NOCAL</b> not fire retardant <input type="checkbox"/>	+\$0
<b>133</b> fire retardant <input type="checkbox"/>	+\$1690

# Tuxedo Classic Settee

SZ2AB  
SZ2AL  
SZ2AN  
SZ2AR



## Product Information

### Description

This settee has solid wood legs with cushions made of polyfoam and DACRON®. Cushions are quilted or not quilted. The settee is available without arms, or with arms on either the left or right side, or on both sides. Fire retardant settee meets CAL 133 requirements.

### Notes

For arm on right (AR) configuration, settee connects to adjacent seat on the left.

For arm on left (AL) configuration, settee connects to adjacent seat on the right.

For arms on left and right (AB), settee connects to adjacent seat on left and right.

Handedness is determined from a seated position.

Customer's Own Material (COM)/Customer's Own Leather (COL) requires the following:

Type—COM—COL

SZ2ANN—8 yards—144 square feet

SZ2ANQ—8 yards—144 square feet

SZ2ABN—10<sup>1</sup>/<sub>2</sub> yards—189 square feet

SZ2ABQ—10<sup>1</sup>/<sub>2</sub> yards—189 square feet

SZ2ALN—9<sup>1</sup>/<sub>4</sub> yards—166<sup>1</sup>/<sub>2</sub> square feet

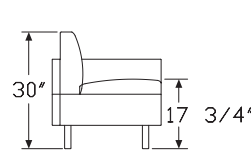
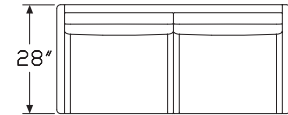
SZ2ALQ—9<sup>1</sup>/<sub>4</sub> yards—166<sup>1</sup>/<sub>2</sub> square feet

SZ2ARN—9<sup>1</sup>/<sub>4</sub> yards—166<sup>1</sup>/<sub>2</sub> square feet

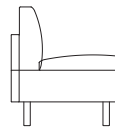
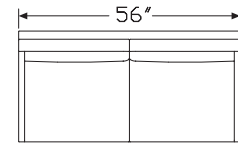
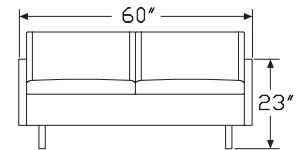
SZ2ARQ—9<sup>1</sup>/<sub>4</sub> yards—166<sup>1</sup>/<sub>2</sub> square feet

See Order Information in Appendices for more information.

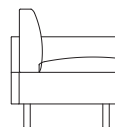
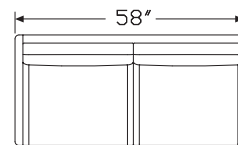
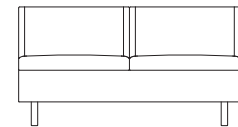
## Dimensions



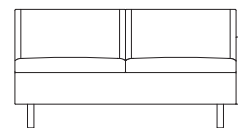
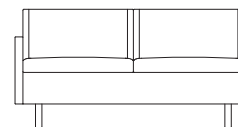
Settee



Connecting Settee - Armless



Connecting Settee - Arm Right



Connecting Settee - Arm Left



# Tuxedo Classic Settee *continued*

## Specification Information

Step 1.

**SZ2** A

Step 2. Arms

**AN** armless A  
**AB** arms on left and right A  
**AL** arm on left A  
**AR** arm on right A

Step 3. Upholstery Type

**N** not quilted A  
**Q** quilted A

Prices for Steps 1-3.

<b>SZ2AN N</b>	\$3157
<b>Q</b>	\$3412
<b>SZ2AB N</b>	\$3871
<b>Q</b>	\$4126
<b>SZ2AL N</b>	\$3514
<b>Q</b>	\$3769
<b>SZ2AR N</b>	\$3514
<b>Q</b>	\$3769

Step 4. Fabric

*For not quilted (N)*

	<b>AN</b>	<b>AB</b>	<b>AL</b>	<b>AR</b>
Price Category (Geiger) COM <span style="border: 1px solid black; padding: 0 2px;">A</span>	+\$0	0	0	0
Price Category (Geiger) COL <span style="border: 1px solid black; padding: 0 2px;">A</span>	+\$576	756	666	666
Price Category 1	+\$0	0	0	0
Price Category (Geiger) 2	+\$376	494	435	435
Price Category 2	+\$376	494	435	435
Price Category (Geiger) 3	+\$472	620	546	546
Price Category 3	+\$472	620	546	546
Price Category (Geiger) 4	+\$576	756	666	666
Price Category (Geiger) 5	+\$840	1103	971	971
Price Category 5	+\$840	1103	971	971
Price Category (Geiger) 6	+\$1104	1449	1277	1277
Price Category (Geiger) 7	+\$1368	1796	1582	1582
Price Category (Geiger) 8	+\$2096	2751	2424	2424
Price Category (Geiger) 9	+\$2600	3413	3006	3006
Price Category 9	+\$2600	3413	3006	3006
Price Category (Geiger) 10	+\$2992	3927	3460	3460
Price Category 11	+\$3352	4400	3876	3876
Price Category 14	+\$0	0	0	0
Price Category (Geiger) E	+\$680	893	786	786
Price Category (Geiger) F	+\$816	1071	944	944
Price Category (Geiger) G	+\$1112	1460	1286	1286
Price Category (Geiger) H	+\$1384	1817	1600	1600
Price Category (Geiger) I	+\$1672	2195	1933	1933
Price Category (Geiger) J	+\$1960	2573	2266	2266
Price Category (Geiger) K	+\$2248	2951	2599	2599
Price Category (Geiger) L	+\$2536	3329	2932	2932
Price Category (Geiger) M	+\$2824	3707	3265	3265
Price Category (Geiger) R	+\$5920	7770	6845	6845

Tuxedo Classic Settee *continued*

*For quilted (Q)*

	AN	AB	AL	AR
Price Category (Geiger) COM <sup>A</sup>	+\$0	0	0	0
Price Category (Geiger) COL <sup>A</sup>	+\$576	756	666	666
Price Category 1	+\$0	0	0	0
Price Category (Geiger) 2	+\$376	494	435	435
Price Category 2	+\$376	494	435	435
Price Category (Geiger) 3	+\$472	620	546	546
Price Category (Geiger) 4	+\$576	756	666	666
Price Category (Geiger) 5	+\$840	1103	971	971
Price Category 5	+\$840	1103	971	971
Price Category (Geiger) 6	+\$1104	1449	1277	1277
Price Category (Geiger) 7	+\$1368	1796	1582	1582
Price Category (Geiger) 8	+\$2096	2751	2424	2424
Price Category 9	+\$2600	3413	3006	3006
Price Category (Geiger) 10	+\$2992	3927	3460	3460
Price Category 11	+\$3352	4400	3876	3876
Price Category 14	+\$0	0	0	0
Price Category (Geiger) E	+\$680	893	786	786
Price Category (Geiger) F	+\$816	1071	944	944
Price Category (Geiger) G	+\$1112	1460	1286	1286
Price Category (Geiger) H	+\$1384	1817	1600	1600
Price Category (Geiger) I	+\$1672	2195	1933	1933
Price Category (Geiger) J	+\$1960	2573	2266	2266
Price Category (Geiger) K	+\$2248	2951	2599	2599
Price Category (Geiger) L	+\$2536	3329	2932	2932
Price Category (Geiger) M	+\$2824	3707	3265	3265
Price Category (Geiger) R	+\$5920	7770	6845	6845

Step 5. Base Finish

Matte Finishes

<b>662</b>	toasted walnut, matte sheen <sup>A</sup>	+\$0
<b>663</b>	charred walnut, matte sheen <sup>A</sup>	+\$0
<b>664</b>	bronzed walnut, matte sheen <sup>A</sup>	+\$0
<b>665</b>	smoked walnut, matte sheen <sup>A</sup>	+\$0
<b>666</b>	coffee walnut, matte sheen <sup>A</sup>	+\$0
<b>667</b>	smoked paldao, quarter cut, matte sheen <sup>A</sup>	+\$0
<b>669</b>	warm paldao, quarter cut, matte sheen <sup>A</sup>	+\$0
<b>66A</b>	recograin frosty ash <sup>A</sup>	+\$0
<b>677</b>	chocolate ash, matte sheen <sup>A</sup>	+\$0
<b>68R</b>	recograin rosewood <sup>A</sup>	+\$0
<b>69A</b>	recograin frosty ash <sup>A</sup>	+\$0
<b>69R</b>	recograin rosewood <sup>A</sup>	+\$0
<b>69T</b>	recograin teak <sup>A</sup>	+\$0
<b>6K1</b>	rift oak <sup>A</sup>	+\$0
<b>ET</b>	clear on ash <sup>A</sup>	+\$0

<b>EU</b>	oak on ash <sup>A</sup>	+\$0
<b>EV</b>	walnut on ash <sup>A</sup>	+\$0
<b>GOU</b>	natural walnut, flat cut, matte sheen <sup>A</sup>	+\$0
<b>6A1</b>	white ash <sup>A</sup>	+\$0
<b>6K6</b>	burnt oak <sup>A</sup>	+\$0
<b>932</b>	sundance anigre <sup>A</sup>	+\$0
<b>933</b>	caramel anigre <sup>A</sup>	+\$0
<b>934</b>	henna anigre <sup>A</sup>	+\$0
<b>940</b>	sundance cherry on maple <sup>A</sup>	+\$0
<b>962</b>	toasted walnut, low sheen <sup>A</sup>	+\$0
<b>963</b>	charred walnut, low sheen <sup>A</sup>	+\$0
<b>964</b>	bronzed walnut, low sheen <sup>A</sup>	+\$0
<b>965</b>	smoked walnut, low sheen <sup>A</sup>	+\$0
<b>966</b>	coffee walnut, low sheen <sup>A</sup>	+\$0
<b>967</b>	smoked paldao, low sheen <sup>A</sup>	+\$0
<b>969</b>	warm paldao, low sheen <sup>A</sup>	+\$0
<b>972</b>	sundance walnut <sup>A</sup>	+\$0
<b>977</b>	chocolate ash, low sheen <sup>A</sup>	+\$0
<b>98R</b>	recograin rosewood <sup>A</sup>	+\$0
<b>991</b>	champagne ash <sup>A</sup>	+\$0
<b>99A</b>	recograin frosty ash <sup>A</sup>	+\$0
<b>99R</b>	recograin rosewood <sup>A</sup>	+\$0
<b>99T</b>	recograin teak <sup>A</sup>	+\$0
<b>9A1</b>	white ash, quarter cut, low sheen <sup>A</sup>	+\$0
<b>9K1</b>	rift oak, rift cut, low sheen <sup>A</sup>	+\$0
<b>9K6</b>	burnt oak, rift cut, low sheen <sup>A</sup>	+\$0
<b>G2U</b>	light brown walnut, low sheen <sup>A</sup>	+\$0
<b>G40</b>	dark brown walnut, low sheen <sup>A</sup>	+\$0
<b>UX</b>	walnut on cherry <sup>A</sup>	+\$0
<b>943</b>	caramel cherry <sup>A</sup>	+\$0
<b>946</b>	cocoa cherry <sup>A</sup>	+\$0
<b>956</b>	cocoa sapele <sup>A</sup>	+\$0
<b>998</b>	ebony ash <sup>A</sup>	+\$0
<b>ED</b>	aged cherry <sup>A</sup>	+\$0
<b>EK</b>	medium red walnut <sup>A</sup>	+\$0

RecoGrain Veneer

<b>66G</b>	recograin wenge <sup>A</sup>	+\$0
<b>68W</b>	recograin walnut, flat cut, matte sheen <sup>A</sup>	+\$0
<b>69G</b>	recograin wenge <sup>A</sup>	+\$0
<b>69W</b>	recograin walnut, quarter cut, matte sheen <sup>A</sup>	+\$0

Recon Veneer -

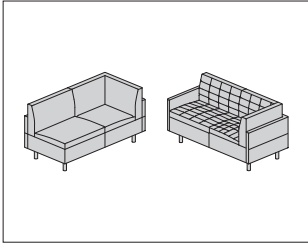
<b>96G</b>	wenge recograin, quarter cut, low sheen <sup>A</sup>	+\$0
<b>98W</b>	recograin walnut, flat cut, low sheen <sup>A</sup>	+\$0
<b>99G</b>	recograin wenge, quarter cut, low sheen <sup>A</sup>	+\$0
<b>99W</b>	recograin walnut, quarter cut, low sheen <sup>A</sup>	+\$0

Tuxedo Classic Settee *continued*

Step 6. Fire Retardancy		AN	AB	AL	AR
<b>NOCAL</b>	no cal-133 required <input type="checkbox"/>	+\$0	0	0	0
<b>133</b>	cal-133 required <input type="checkbox"/>	+\$520	683	601	601

# Tuxedo Classic Corner Settee

SZ2CL  
SZ2CR  
SZ2ZL  
SZ2ZR



## Product Information

### Description

This corner settee has solid wood legs with cushions made of polyfoam and DACRON®. Cushions are quilted or not quilted. The settee is available with the corner on the left or right side and with or without an arm on the opposite side. Fire retardant settee meets CAL 133 requirements.

### Notes

Handedness is determined from a seated position.

Customer's Own Material (COM)/Customer's Own Leather (COL) requires the following:

Type—COM—COL

SZ2CRN—10<sup>1</sup>/<sub>2</sub> yards—189 square feet

SZ2CRQ—10<sup>1</sup>/<sub>2</sub> yards—189 square feet

SZ2CLN—10<sup>1</sup>/<sub>2</sub> yards—189 square feet

SZ2CLQ—10<sup>1</sup>/<sub>2</sub> yards—189 square feet

SZ2ZRN—11<sup>3</sup>/<sub>4</sub> yards—212 square feet

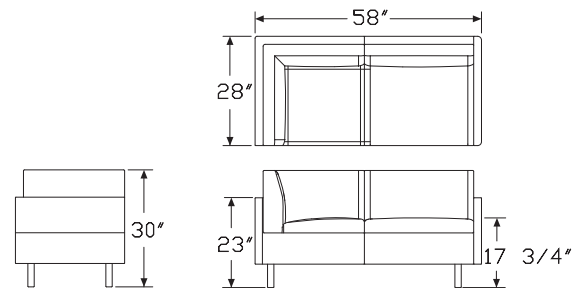
SZ2ZRQ—11<sup>3</sup>/<sub>4</sub> yards—212 square feet

SZ2ZLN—11<sup>3</sup>/<sub>4</sub> yards—212 square feet

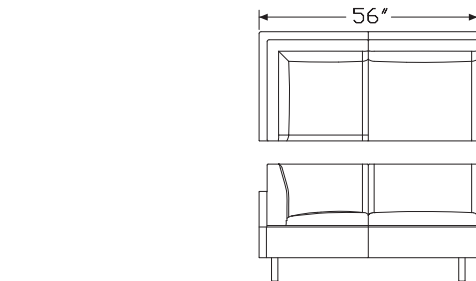
SZ2ZLQ—11<sup>3</sup>/<sub>4</sub> yards—212 square feet

See Order Information in Appendices for more information.

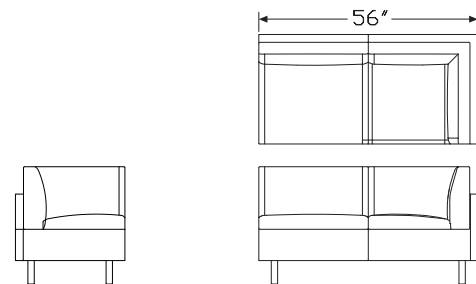
## Dimensions



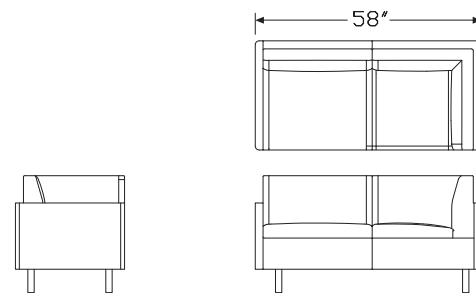
Corner Settee with Arm - Right



Corner Settee - Right



Corner Settee - Left



Corner Settee with Arm - Left

# Tuxedo Classic Corner Settee

continued

## Specification Information

Step 1.

**SZ2**

Step 2. Arms

**CL** corner left

**CR** corner right

**ZL** corner on left with arm on right

**ZR** corner on right with arm on left

Step 3. Upholstery Type

**N** not quilted

**Q** quilted

Prices for Steps 1-3.

<b>SZ2CL</b>	<b>N</b>	\$3978
	<b>Q</b>	\$4284
<b>SZ2CR</b>	<b>N</b>	\$3978
	<b>Q</b>	\$4284
<b>SZ2ZL</b>	<b>N</b>	\$4335
	<b>Q</b>	\$4641
<b>SZ2ZR</b>	<b>N</b>	\$4335
	<b>Q</b>	\$4641

Step 4. Fabric

*For not quilted (N)*

Price Category (Geiger) COM <input type="checkbox"/>	+\$0
Price Category (Geiger) COL <input type="checkbox"/>	+\$756
Price Category 1	+\$0
Price Category (Geiger) 2	+\$494
Price Category 2	+\$494
Price Category (Geiger) 3	+\$620
Price Category 3	+\$620
Price Category (Geiger) 4	+\$756
Price Category (Geiger) 5	+\$1103
Price Category 5	+\$1103
Price Category (Geiger) 6	+\$1449
Price Category (Geiger) 7	+\$1796
Price Category (Geiger) 8	+\$2751
Price Category (Geiger) 9	+\$3413
Price Category 9	+\$3413
Price Category (Geiger) 10	+\$3927
Price Category 11	+\$4400
Price Category 14	+\$0
Price Category (Geiger) E	+\$893
Price Category (Geiger) F	+\$1071
Price Category (Geiger) G	+\$1460
Price Category (Geiger) H	+\$1817
Price Category (Geiger) I	+\$2195
Price Category (Geiger) J	+\$2573
Price Category (Geiger) K	+\$2951
Price Category (Geiger) L	+\$3329
Price Category (Geiger) M	+\$3707
Price Category (Geiger) R	+\$7770

# Tuxedo Classic Corner Settee

continued

## For quilted (Q)

Price Category (Geiger) COM <input type="checkbox"/>	+\$0
Price Category (Geiger) COL <input type="checkbox"/>	+\$756
Price Category 1	+\$0
Price Category (Geiger) 2	+\$494
Price Category 2	+\$494
Price Category (Geiger) 3	+\$620
Price Category (Geiger) 4	+\$756
Price Category (Geiger) 5	+\$1103
Price Category 5	+\$1103
Price Category (Geiger) 6	+\$1449
Price Category (Geiger) 7	+\$1796
Price Category (Geiger) 8	+\$2751
Price Category 9	+\$3413
Price Category (Geiger) 10	+\$3927
Price Category 11	+\$4400
Price Category 14	+\$0
Price Category (Geiger) E	+\$893
Price Category (Geiger) F	+\$1071
Price Category (Geiger) G	+\$1460
Price Category (Geiger) H	+\$1817
Price Category (Geiger) I	+\$2195
Price Category (Geiger) J	+\$2573
Price Category (Geiger) K	+\$2951
Price Category (Geiger) L	+\$3329
Price Category (Geiger) M	+\$3707
Price Category (Geiger) R	+\$7770

## For quilted (Q)

Price Category (Geiger) COM <input type="checkbox"/>	+\$0
Price Category (Geiger) COL <input type="checkbox"/>	+\$756
Price Category 1	+\$0
Price Category (Geiger) 2	+\$494
Price Category 2	+\$494
Price Category (Geiger) 3	+\$620
Price Category (Geiger) 4	+\$756
Price Category (Geiger) 5	+\$1103
Price Category 5	+\$1103
Price Category (Geiger) 6	+\$1449
Price Category (Geiger) 7	+\$1796
Price Category (Geiger) 8	+\$2751
Price Category 9	+\$3413
Price Category (Geiger) 10	+\$3927
Price Category 11	+\$4400
Price Category 14	+\$0
Price Category (Geiger) E	+\$893
Price Category (Geiger) F	+\$1071
Price Category (Geiger) G	+\$1460
Price Category (Geiger) H	+\$1817
Price Category (Geiger) I	+\$2195
Price Category (Geiger) J	+\$2573
Price Category (Geiger) K	+\$2951
Price Category (Geiger) L	+\$3329
Price Category (Geiger) M	+\$3707
Price Category (Geiger) R	+\$7770

## Step 5. Base Finish

### Matte Finishes

<b>662</b>	toasted walnut, matte sheen <input type="checkbox"/>	+\$0
<b>663</b>	charred walnut, matte sheen <input type="checkbox"/>	+\$0
<b>664</b>	bronzed walnut, matte sheen <input type="checkbox"/>	+\$0
<b>665</b>	smoked walnut, matte sheen <input type="checkbox"/>	+\$0
<b>666</b>	coffee walnut, matte sheen <input type="checkbox"/>	+\$0
<b>667</b>	smoked paldao, quarter cut, matte sheen <input type="checkbox"/>	+\$0
<b>669</b>	warm paldao, quarter cut, matte sheen <input type="checkbox"/>	+\$0
<b>66A</b>	recograin frosty ash <input type="checkbox"/>	+\$0
<b>677</b>	chocolate ash, matte sheen <input type="checkbox"/>	+\$0
<b>68R</b>	recograin rosewood <input type="checkbox"/>	+\$0
<b>69A</b>	recograin frosty ash <input type="checkbox"/>	+\$0
<b>69R</b>	recograin rosewood <input type="checkbox"/>	+\$0
<b>69T</b>	recograin teak <input type="checkbox"/>	+\$0
<b>6K1</b>	rift oak <input type="checkbox"/>	+\$0
<b>ET</b>	clear on ash <input type="checkbox"/>	+\$0
<b>EU</b>	oak on ash <input type="checkbox"/>	+\$0

# Tuxedo Classic Corner Settee

continued

<b>EV</b>	walnut on ash <input type="checkbox"/>	+\$0
<b>GOU</b>	natural walnut, flat cut, matte sheen <input type="checkbox"/>	+\$0
<b>6A1</b>	white ash <input type="checkbox"/>	+\$0
<b>6K6</b>	burnt oak <input type="checkbox"/>	+\$0
<b>932</b>	sundance anigre <input type="checkbox"/>	+\$0
<b>933</b>	caramel anigre <input type="checkbox"/>	+\$0
<b>934</b>	henna anigre <input type="checkbox"/>	+\$0
<b>940</b>	sundance cherry on maple <input type="checkbox"/>	+\$0
<b>962</b>	toasted walnut, low sheen <input type="checkbox"/>	+\$0
<b>963</b>	charred walnut, low sheen <input type="checkbox"/>	+\$0
<b>964</b>	bronzed walnut, low sheen <input type="checkbox"/>	+\$0
<b>965</b>	smoked walnut, low sheen <input type="checkbox"/>	+\$0
<b>966</b>	coffee walnut, low sheen <input type="checkbox"/>	+\$0
<b>967</b>	smoked paldao, low sheen <input type="checkbox"/>	+\$0
<b>969</b>	warm paldao, low sheen <input type="checkbox"/>	+\$0
<b>972</b>	sundance walnut <input type="checkbox"/>	+\$0
<b>977</b>	chocolate ash, low sheen <input type="checkbox"/>	+\$0
<b>98R</b>	recoGrain rosewood <input type="checkbox"/>	+\$0
<b>991</b>	champagne ash <input type="checkbox"/>	+\$0
<b>99A</b>	recoGrain frosty ash <input type="checkbox"/>	+\$0
<b>99R</b>	recoGrain rosewood <input type="checkbox"/>	+\$0
<b>99T</b>	recoGrain teak <input type="checkbox"/>	+\$0
<b>9A1</b>	white ash, quarter cut, low sheen <input type="checkbox"/>	+\$0
<b>9K1</b>	rift oak, rift cut, low sheen <input type="checkbox"/>	+\$0
<b>9K6</b>	burnt oak, rift cut, low sheen <input type="checkbox"/>	+\$0
<b>G2U</b>	light brown walnut, low sheen <input type="checkbox"/>	+\$0
<b>G40</b>	dark brown walnut, low sheen <input type="checkbox"/>	+\$0
<b>UX</b>	walnut on cherry <input type="checkbox"/>	+\$0
<b>943</b>	caramel cherry <input type="checkbox"/>	+\$0
<b>946</b>	cocoa cherry <input type="checkbox"/>	+\$0
<b>956</b>	cocoa sapele <input type="checkbox"/>	+\$0
<b>998</b>	ebony ash <input type="checkbox"/>	+\$0
<b>ED</b>	aged cherry <input type="checkbox"/>	+\$0
<b>EK</b>	medium red walnut <input type="checkbox"/>	+\$0

## RecoGrain Veneer

<b>66G</b>	recoGrain wenge <input type="checkbox"/>	+\$0
<b>68W</b>	recoGrain walnut, flat cut, matte sheen <input type="checkbox"/>	+\$0
<b>69G</b>	recoGrain wenge <input type="checkbox"/>	+\$0
<b>69W</b>	recoGrain walnut, quarter cut, matte sheen <input type="checkbox"/>	+\$0

## Recon Veneer -

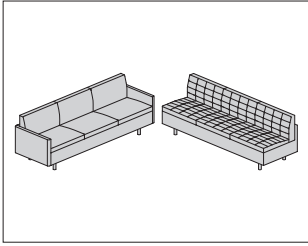
<b>96G</b>	wenge recoGrain, quarter cut, low sheen <input type="checkbox"/>	+\$0
<b>98W</b>	recoGrain walnut, flat cut, low sheen <input type="checkbox"/>	+\$0
<b>99G</b>	recoGrain wenge, quarter cut, low sheen <input type="checkbox"/>	+\$0
<b>99W</b>	recoGrain walnut, quarter cut, low sheen <input type="checkbox"/>	+\$0

## Step 6. Fire Retardancy

	CL	CR	ZL	ZR
<b>NOCAL</b> no cal-133 required <input type="checkbox"/>	+\$0	0	0	0
<b>133</b> cal-133 required <input type="checkbox"/>	+\$683	683	764	764

# Tuxedo Classic Sofa

SZ3AB  
SZ3AL  
SZ3AN  
SZ3AR



## Product Information

### Description

This sofa has solid wood legs with cushions made of polyfoam and DACRON®. Cushions are quilted or not quilted. The sofa is available without arms, or with arms on either the left or right side, or on both sides. Fire retardant sofa meets CAL 133 requirements.

### Notes

For arm on right (AR) configuration, sofa connects to adjacent seat on the left.

For arm on left (AL) configuration, sofa connects to adjacent seat on the right.

For arms on left and right (AB), sofa connects to adjacent seat on left and right.

Handedness is determined from a seated position.

Customer's Own Material (COM)/Customer's Own Leather (COL) requires the following:

Type—COM—COL

SZ3ANN—11½ yards—207 square feet

SZ3ANQ—11½ yards—207 square feet

SZ3ABN—14 yards—252 square feet

SZ3ABQ—14 yards—252 square feet

SZ3ALN—12¾ yards—229½ square feet

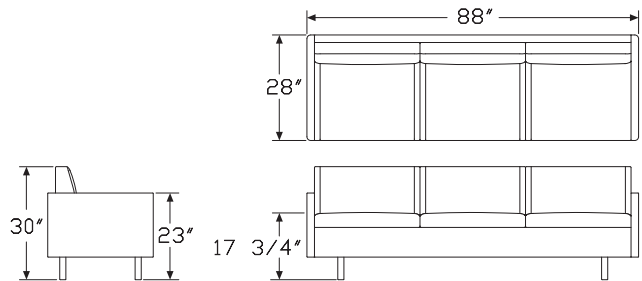
SZ3ALQ—12¾ yards—229½ square feet

SZ3ARN—12¾ yards—229½ square feet

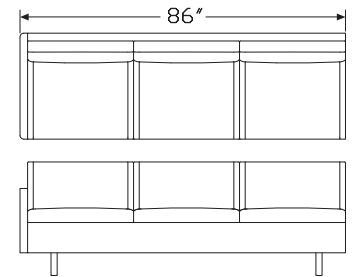
SZ3ARQ—12¾ yards—229½ square feet

See Order Information in Appendices for more information.

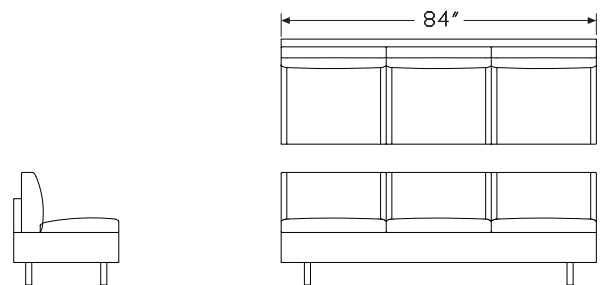
## Dimensions



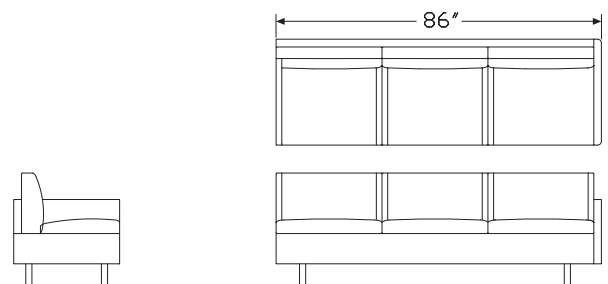
Sofa



Connecting Sofa - Arm Right



Connecting Sofa - Armless



Connecting Sofa - Arm Left



**Specification Information**

Step 1.

**SZ3**  A

Step 2. Arms

- AN** armless  A
- AB** arms on left and right  A
- AL** arm on left  A
- AR** arm on right  A

Step 3. Upholstery Type

- N** not quilted  A
- Q** quilted  A

Prices for Steps 1-3.

<b>SZ3AN</b>	<b>N</b>	\$4366
	<b>Q</b>	\$4855
<b>SZ3AB</b>	<b>N</b>	\$5187
	<b>Q</b>	\$5569
<b>SZ3AL</b>	<b>N</b>	\$4830
	<b>Q</b>	\$5212
<b>SZ3AR</b>	<b>N</b>	\$4830
	<b>Q</b>	\$5212

Step 4. Fabric

*For not quilted (N)*

	AN	AB	AL	AR
Price Category (Geiger) COM <input type="checkbox"/> A	+\$0	0	0	0
Price Category (Geiger) COL <input type="checkbox"/> A	+\$828	1008	918	918
Price Category 1	+\$0	0	0	0
Price Category (Geiger) 2	+\$541	658	599	599
Price Category 2	+\$541	658	599	599
Price Category (Geiger) 3	+\$679	826	752	752
Price Category 3	+\$679	826	752	752
Price Category (Geiger) 4	+\$828	1008	918	918
Price Category (Geiger) 5	+\$1208	1470	1339	1339
Price Category 5	+\$1208	1470	1339	1339
Price Category (Geiger) 6	+\$1587	1932	1760	1760
Price Category (Geiger) 7	+\$1967	2394	2180	2180
Price Category (Geiger) 8	+\$3013	3668	3341	3341
Price Category (Geiger) 9	+\$3738	4550	4144	4144
Price Category 9	+\$3738	4550	4144	4144
Price Category (Geiger) 10	+\$4301	5236	4769	4769
Price Category 11	+\$4819	5866	5342	5342
Price Category 14	+\$0	0	0	0
Price Category (Geiger) E	+\$978	1190	1084	1084
Price Category (Geiger) F	+\$1173	1428	1301	1301
Price Category (Geiger) G	+\$1599	1946	1772	1772
Price Category (Geiger) H	+\$1990	2422	2206	2206
Price Category (Geiger) I	+\$2404	2926	2665	2665
Price Category (Geiger) J	+\$2818	3430	3124	3124
Price Category (Geiger) K	+\$3232	3934	3583	3583
Price Category (Geiger) L	+\$3646	4438	4042	4042
Price Category (Geiger) M	+\$4060	4942	4501	4501

Tuxedo Classic Sofa *continued*

*For quilted (Q)*

	AN	AB	AL	AR
Price Category (Geiger) COM <sup>A</sup>	+\$0	0	0	0
Price Category (Geiger) COL <sup>A</sup>	+\$828	1008	918	918
Price Category 1	+\$0	0	0	0
Price Category (Geiger) 2	+\$541	658	599	599
Price Category 2	+\$541	658	599	599
Price Category (Geiger) 3	+\$679	826	752	752
Price Category (Geiger) 4	+\$828	1008	918	918
Price Category (Geiger) 5	+\$1208	1470	1339	1339
Price Category 5	+\$1208	1470	1339	1339
Price Category (Geiger) 6	+\$1587	1932	1760	1760
Price Category (Geiger) 7	+\$1967	2394	2180	2180
Price Category (Geiger) 8	+\$3013	3668	3341	3341
Price Category 9	+\$3738	4550	4144	4144
Price Category (Geiger) 10	+\$4301	5236	4769	4769
Price Category 11	+\$4819	5866	5342	5342
Price Category 14	+\$0	0	0	0
Price Category (Geiger) E	+\$978	1190	1084	1084
Price Category (Geiger) F	+\$1173	1428	1301	1301
Price Category (Geiger) G	+\$1599	1946	1772	1772
Price Category (Geiger) H	+\$1990	2422	2206	2206
Price Category (Geiger) I	+\$2404	2926	2665	2665
Price Category (Geiger) J	+\$2818	3430	3124	3124
Price Category (Geiger) K	+\$3232	3934	3583	3583
Price Category (Geiger) L	+\$3646	4438	4042	4042
Price Category (Geiger) M	+\$4060	4942	4501	4501

Step 5. Base Finish

Matte Finishes

<b>662</b>	toasted walnut, matte sheen <sup>A</sup>	+\$0
<b>663</b>	charred walnut, matte sheen <sup>A</sup>	+\$0
<b>664</b>	bronzed walnut, matte sheen <sup>A</sup>	+\$0
<b>665</b>	smoked walnut, matte sheen <sup>A</sup>	+\$0
<b>666</b>	coffee walnut, matte sheen <sup>A</sup>	+\$0
<b>667</b>	smoked paldao, quarter cut, matte sheen <sup>A</sup>	+\$0
<b>669</b>	warm paldao, quarter cut, matte sheen <sup>A</sup>	+\$0
<b>66A</b>	recograin frosty ash <sup>A</sup>	+\$0
<b>677</b>	chocolate ash, matte sheen <sup>A</sup>	+\$0
<b>68R</b>	recograin rosewood <sup>A</sup>	+\$0
<b>69A</b>	recograin frosty ash <sup>A</sup>	+\$0
<b>69R</b>	recograin rosewood <sup>A</sup>	+\$0
<b>69T</b>	recograin teak <sup>A</sup>	+\$0
<b>6K1</b>	rift oak <sup>A</sup>	+\$0
<b>ET</b>	clear on ash <sup>A</sup>	+\$0
<b>EU</b>	oak on ash <sup>A</sup>	+\$0

<b>EV</b>	walnut on ash <sup>A</sup>	+\$0
<b>GOU</b>	natural walnut, flat cut, matte sheen <sup>A</sup>	+\$0
<b>6A1</b>	white ash <sup>A</sup>	+\$0
<b>6K6</b>	burnt oak <sup>A</sup>	+\$0
<b>932</b>	sundance anigre <sup>A</sup>	+\$0
<b>933</b>	caramel anigre <sup>A</sup>	+\$0
<b>934</b>	henna anigre <sup>A</sup>	+\$0
<b>940</b>	sundance cherry on maple <sup>A</sup>	+\$0
<b>962</b>	toasted walnut, low sheen <sup>A</sup>	+\$0
<b>963</b>	charred walnut, low sheen <sup>A</sup>	+\$0
<b>964</b>	bronzed walnut, low sheen <sup>A</sup>	+\$0
<b>965</b>	smoked walnut, low sheen <sup>A</sup>	+\$0
<b>966</b>	coffee walnut, low sheen <sup>A</sup>	+\$0
<b>967</b>	smoked paldao, low sheen <sup>A</sup>	+\$0
<b>969</b>	warm paldao, low sheen <sup>A</sup>	+\$0
<b>972</b>	sundance walnut <sup>A</sup>	+\$0
<b>977</b>	chocolate ash, low sheen <sup>A</sup>	+\$0
<b>98R</b>	recograin rosewood <sup>A</sup>	+\$0
<b>991</b>	champagne ash <sup>A</sup>	+\$0
<b>99A</b>	recograin frosty ash <sup>A</sup>	+\$0
<b>99R</b>	recograin rosewood <sup>A</sup>	+\$0
<b>99T</b>	recograin teak <sup>A</sup>	+\$0
<b>9A1</b>	white ash, quarter cut, low sheen <sup>A</sup>	+\$0
<b>9K1</b>	rift oak, rift cut, low sheen <sup>A</sup>	+\$0
<b>9K6</b>	burnt oak, rift cut, low sheen <sup>A</sup>	+\$0
<b>G2U</b>	light brown walnut, low sheen <sup>A</sup>	+\$0
<b>G40</b>	dark brown walnut, low sheen <sup>A</sup>	+\$0
<b>UX</b>	walnut on cherry <sup>A</sup>	+\$0
<b>943</b>	caramel cherry <sup>A</sup>	+\$0
<b>946</b>	cocoa cherry <sup>A</sup>	+\$0
<b>956</b>	cocoa sapele <sup>A</sup>	+\$0
<b>998</b>	ebony ash <sup>A</sup>	+\$0
<b>ED</b>	aged cherry <sup>A</sup>	+\$0
<b>EK</b>	medium red walnut <sup>A</sup>	+\$0

RecoGrain Veneer

<b>66G</b>	recograin wenge <sup>A</sup>	+\$0
<b>68W</b>	recograin walnut, flat cut, matte sheen <sup>A</sup>	+\$0
<b>69G</b>	recograin wenge <sup>A</sup>	+\$0
<b>69W</b>	recograin walnut, quarter cut, matte sheen <sup>A</sup>	+\$0

Recon Veneer -

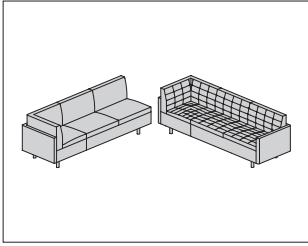
<b>96G</b>	wenge recograin, quarter cut, low sheen <sup>A</sup>	+\$0
<b>98W</b>	recograin walnut, flat cut, low sheen <sup>A</sup>	+\$0
<b>99G</b>	recograin wenge, quarter cut, low sheen <sup>A</sup>	+\$0
<b>99W</b>	recograin walnut, quarter cut, low sheen <sup>A</sup>	+\$0

Tuxedo Classic Sofa *continued*

Step 6. Fire Retardancy		AN	AB	AL	AR
<b>NOCAL</b>	no cal-133 required <input type="checkbox"/> A	+\$0	0	0	0
<b>133</b>	cal-133 required <input type="checkbox"/> A	+\$748	910	829	829

# Tuxedo Classic Corner Sofa

SZ3CL  
SZ3CR  
SZ3ZL  
SZ3ZR



## Product Information

### Description

This corner sofa has solid wood legs with cushions made of polyfoam and DACRON®. Cushions are quilted or not quilted. The sofa is available with the corner on the left or right side and with or without an arm on the opposite side. Fire retardant sofa meets CAL 133 requirements.

### Notes

Handedness is determined from a seated position.

Customer's Own Material (COM)/Customer's Own Leather (COL) requires the following:

Type—COM—COL

SZ3CRN—14½ yards—261 square feet

SZ3CRQ—14½ yards—261 square feet

SZ3CLN—14½ yards—261 square feet

SZ3CLQ—14½ yards—261 square feet

SZ3ZRN—15¾ yards—284 square feet

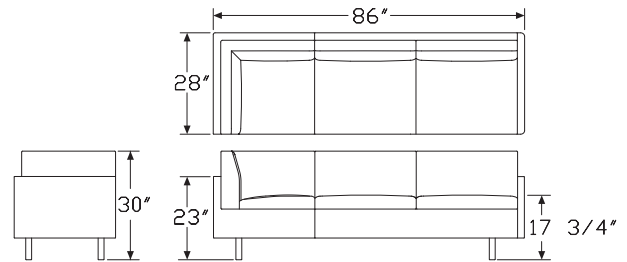
SZ3ZRQ—15¾ yards—284 square feet

SZ3ZLN—15¾ yards—284 square feet

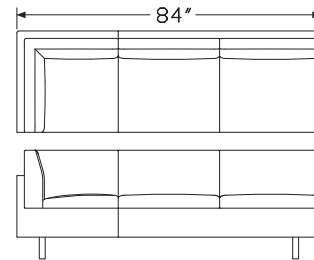
SZ3ZLQ—15¾ yards—284 square feet

See Order Information in Appendices for more information.

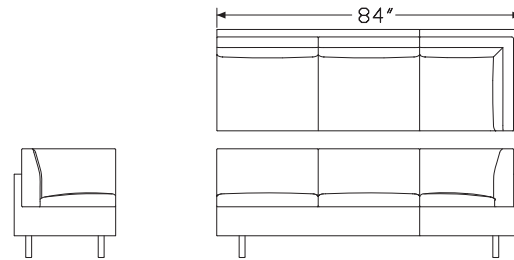
## Dimensions



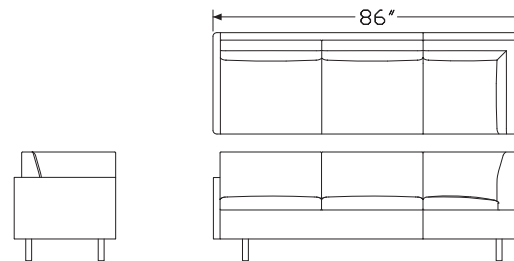
Corner Sofa with Arm - Right



Corner Sofa - Right



Corner Sofa - Left



Corner Sofa with Arm - Left

**Specification Information**

Step 1.

**SZ3** A

Step 2. Arms

**CL** corner left A

**CR** corner right A

**ZL** corner on left with arm on right A

**ZR** corner on right with arm on left A

Step 3. Upholstery Type

**N** not quilted A

**Q** quilted A

Prices for Steps 1-3.

<b>SZ3CL</b>	<b>N</b>	\$5253
	<b>Q</b>	\$5687
<b>SZ3CR</b>	<b>N</b>	\$5253
	<b>Q</b>	\$5687
<b>SZ3ZL</b>	<b>N</b>	\$5610
	<b>Q</b>	\$6044
<b>SZ3ZR</b>	<b>N</b>	\$5610
	<b>Q</b>	\$6044

Step 4. Fabric

*For not quilted (N)*

Price Category (Geiger) COM <span style="border: 1px solid black; padding: 0 2px;">A</span>	+\$0
Price Category (Geiger) COL <span style="border: 1px solid black; padding: 0 2px;">A</span>	+\$1044
Price Category 1	+\$0
Price Category (Geiger) 2	+\$682
Price Category 2	+\$682
Price Category (Geiger) 3	+\$856
Price Category 3	+\$856
Price Category (Geiger) 4	+\$1044
Price Category (Geiger) 5	+\$1523
Price Category 5	+\$1523
Price Category (Geiger) 6	+\$2001
Price Category (Geiger) 7	+\$2480
Price Category (Geiger) 8	+\$3799
Price Category (Geiger) 9	+\$4713
Price Category 9	+\$4713
Price Category (Geiger) 10	+\$5423
Price Category 11	+\$6076
Price Category 14	+\$0
Price Category (Geiger) E	+\$1233
Price Category (Geiger) F	+\$1479
Price Category (Geiger) G	+\$2016
Price Category (Geiger) H	+\$2509
Price Category (Geiger) I	+\$3031
Price Category (Geiger) J	+\$3553
Price Category (Geiger) K	+\$4075
Price Category (Geiger) L	+\$4597
Price Category (Geiger) M	+\$5119
Price Category (Geiger) R	+\$10730

*For quilted (Q)*

Price Category (Geiger) COM <input type="checkbox"/>	+\$0
Price Category (Geiger) COL <input type="checkbox"/>	+\$1044
Price Category 1	+\$0
Price Category (Geiger) 2	+\$682
Price Category 2	+\$682
Price Category (Geiger) 3	+\$856
Price Category (Geiger) 4	+\$1044
Price Category (Geiger) 5	+\$1523
Price Category 5	+\$1523
Price Category (Geiger) 6	+\$2001
Price Category (Geiger) 7	+\$2480
Price Category (Geiger) 8	+\$3799
Price Category 9	+\$4713
Price Category (Geiger) 10	+\$5423
Price Category 11	+\$6076
Price Category 14	+\$0
Price Category (Geiger) E	+\$1233
Price Category (Geiger) F	+\$1479
Price Category (Geiger) G	+\$2016
Price Category (Geiger) H	+\$2509
Price Category (Geiger) I	+\$3031
Price Category (Geiger) J	+\$3553
Price Category (Geiger) K	+\$4075
Price Category (Geiger) L	+\$4597
Price Category (Geiger) M	+\$5119
Price Category (Geiger) R	+\$10730

*For quilted (Q)*

Price Category (Geiger) COM <input type="checkbox"/>	+\$0
Price Category (Geiger) COL <input type="checkbox"/>	+\$1044
Price Category 1	+\$0
Price Category (Geiger) 2	+\$682
Price Category 2	+\$682
Price Category (Geiger) 3	+\$856
Price Category (Geiger) 4	+\$1044
Price Category (Geiger) 5	+\$1523
Price Category 5	+\$1523
Price Category (Geiger) 6	+\$2001
Price Category (Geiger) 7	+\$2480
Price Category (Geiger) 8	+\$3799
Price Category 9	+\$4713
Price Category (Geiger) 10	+\$5423
Price Category 11	+\$6076
Price Category 14	+\$0
Price Category (Geiger) E	+\$1233
Price Category (Geiger) F	+\$1479
Price Category (Geiger) G	+\$2016
Price Category (Geiger) H	+\$2509
Price Category (Geiger) I	+\$3031
Price Category (Geiger) J	+\$3553
Price Category (Geiger) K	+\$4075
Price Category (Geiger) L	+\$4597
Price Category (Geiger) M	+\$5119
Price Category (Geiger) R	+\$10730

Step 5. Base Finish

Matte Finishes

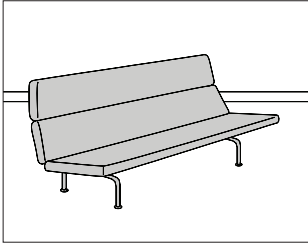
<b>662</b>	toasted walnut, matte sheen <input type="checkbox"/>	+\$0
<b>663</b>	charred walnut, matte sheen <input type="checkbox"/>	+\$0
<b>664</b>	bronzed walnut, matte sheen <input type="checkbox"/>	+\$0
<b>665</b>	smoked walnut, matte sheen <input type="checkbox"/>	+\$0
<b>666</b>	coffee walnut, matte sheen <input type="checkbox"/>	+\$0
<b>667</b>	smoked paldao, quarter cut, matte sheen <input type="checkbox"/>	+\$0
<b>669</b>	warm paldao, quarter cut, matte sheen <input type="checkbox"/>	+\$0
<b>66A</b>	recograin frosty ash <input type="checkbox"/>	+\$0
<b>677</b>	chocolate ash, matte sheen <input type="checkbox"/>	+\$0
<b>68R</b>	recograin rosewood <input type="checkbox"/>	+\$0
<b>69A</b>	recograin frosty ash <input type="checkbox"/>	+\$0
<b>69R</b>	recograin rosewood <input type="checkbox"/>	+\$0
<b>69T</b>	recograin teak <input type="checkbox"/>	+\$0
<b>6K1</b>	rift oak <input type="checkbox"/>	+\$0
<b>ET</b>	clear on ash <input type="checkbox"/>	+\$0
<b>EU</b>	oak on ash <input type="checkbox"/>	+\$0

## Tuxedo Classic Corner Sofa *continued*

<b>EV</b>	walnut on ash <span>A</span>	+\$0
<b>GOU</b>	natural walnut, flat cut, matte sheen <span>A</span>	+\$0
<b>6A1</b>	white ash <span>A</span>	+\$0
<b>6K6</b>	burnt oak <span>A</span>	+\$0
<b>932</b>	sundance anigre <span>A</span>	+\$0
<b>933</b>	caramel anigre <span>A</span>	+\$0
<b>934</b>	henna anigre <span>A</span>	+\$0
<b>940</b>	sundance cherry on maple <span>A</span>	+\$0
<b>962</b>	toasted walnut, low sheen <span>A</span>	+\$0
<b>963</b>	charred walnut, low sheen <span>A</span>	+\$0
<b>964</b>	bronzed walnut, low sheen <span>A</span>	+\$0
<b>965</b>	smoked walnut, low sheen <span>A</span>	+\$0
<b>966</b>	coffee walnut, low sheen <span>A</span>	+\$0
<b>967</b>	smoked paldao, low sheen <span>A</span>	+\$0
<b>969</b>	warm paldao, low sheen <span>A</span>	+\$0
<b>972</b>	sundance walnut <span>A</span>	+\$0
<b>977</b>	chocolate ash, low sheen <span>A</span>	+\$0
<b>98R</b>	recograin rosewood <span>A</span>	+\$0
<b>991</b>	champagne ash <span>A</span>	+\$0
<b>99A</b>	recograin frosty ash <span>A</span>	+\$0
<b>99R</b>	recograin rosewood <span>A</span>	+\$0
<b>99T</b>	recograin teak <span>A</span>	+\$0
<b>9A1</b>	white ash, quarter cut, low sheen <span>A</span>	+\$0
<b>9K1</b>	rift oak, rift cut, low sheen <span>A</span>	+\$0
<b>9K6</b>	burnt oak, rift cut, low sheen <span>A</span>	+\$0
<b>G2U</b>	light brown walnut, low sheen <span>A</span>	+\$0
<b>G40</b>	dark brown walnut, low sheen <span>A</span>	+\$0
<b>UX</b>	walnut on cherry <span>A</span>	+\$0
<b>943</b>	caramel cherry <span>A</span>	+\$0
<b>946</b>	cocoa cherry <span>A</span>	+\$0
<b>956</b>	cocoa sapele <span>A</span>	+\$0
<b>998</b>	ebony ash <span>A</span>	+\$0
<b>ED</b>	aged cherry <span>A</span>	+\$0
<b>EK</b>	medium red walnut <span>A</span>	+\$0
<b>66G</b>	recograin wenge <span>A</span>	+\$0
<b>68W</b>	recograin walnut, flat cut, matte sheen <span>A</span>	+\$0
<b>69G</b>	recograin wenge <span>A</span>	+\$0
<b>69W</b>	recograin walnut, quarter cut, matte sheen <span>A</span>	+\$0
<b>96G</b>	wenge recograin, quarter cut, low sheen <span>A</span>	+\$0
<b>98W</b>	recograin walnut, flat cut, low sheen <span>A</span>	+\$0
<b>99G</b>	recograin wenge, quarter cut, low sheen <span>A</span>	+\$0
<b>99W</b>	recograin walnut, quarter cut, low sheen <span>A</span>	+\$0

### Step 6. Fire Retardancy

		CL	CR	ZL	ZR
<b>NOCAL</b>	no cal-133 required <span>A</span>	+\$0	0	0	0
<b>133</b>	cal-133 required <span>A</span>	+\$943	943	1024	1024



**Product Information**

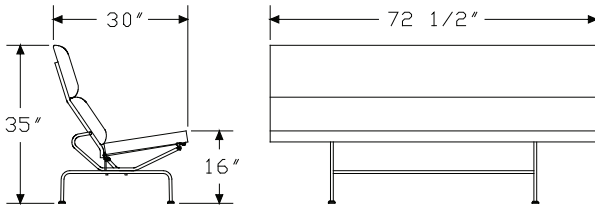
**Description**

This sofa has 2 1/2"-thick upholstered foam cushions supported by a black enameled frame. It has polished chrome-plated legs and stainless steel glides. All fabrics are railroaded.

**Notes**

Customer's Own Material (COM) requires 6 yards. See Order Information in Appendices.

**Dimensions**



Herman Miller Collection—Sofas

**Specification Information**

**Step 1.**

**473** A \$5290

**Step 2. Fabric**

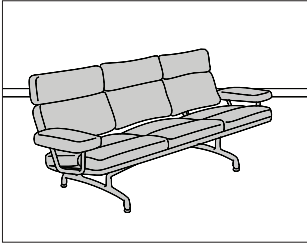
See application chart and textiles list for fabric usage and numbers. First 2 digits of number indicate fabric line; remaining digit(s) indicate fabric color.

Price Category 1	+\$0
Price Category 2	+\$97
Price Category 3	+\$134
Price Category (Geiger) 3	+\$134
Price Category 4	+\$252
Price Category (Geiger) 4	+\$252
Price Category 5	+\$411
Price Category (Geiger) 5	+\$523
Price Category 6	+\$590
Price Category (Geiger) 6	+\$708
Price Category 7	+\$750
Price Category (Geiger) 7	+\$967
Price Category 10	+\$1884
Price Category (Geiger) 10	+\$1884
Price Category 14	+\$2466
Price Category B	+\$168
Price Category D	+\$334
Price Category E	+\$418
Price Category F	+\$547
Price Category G	+\$710
Price Category H	+\$864
Price Category I	+\$1015
Price Category J	+\$1167
Price Category K	+\$1318
Price Category L	+\$1470
Price Category M	+\$1621
Price Category N	+\$1773
Price Category O	+\$1924
Price Category P	+\$2076
Price Category Q	+\$2235
Price Category R	+\$3631
Price Category S	+\$2568
Price Category X	+\$4940
Price Category Y	+\$5202



Eames® Sofa

ES108  
ES110



**Product Information**

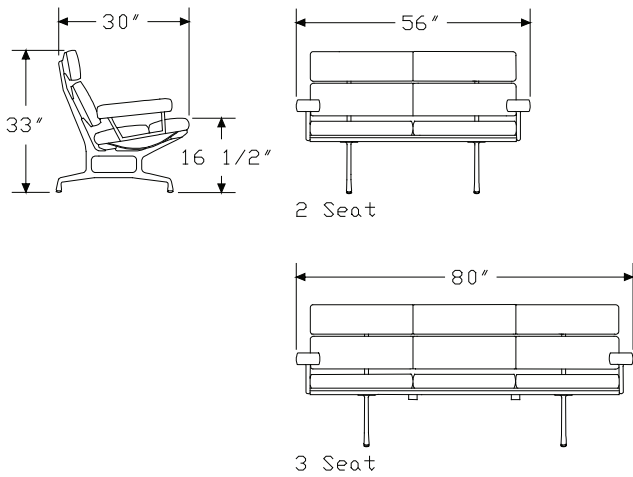
**Description**

This sofa has 2"-thick upholstered foam cushions and a polished chrome-plated frame with nylon glides. The back panels are hand-finished solid walnut or solid teak.

**Notes**

Customer's Own Material (COM) requires 4½ yards for 2-seat sofa and 6½ yards for 3-seat sofa. Customer's Own Leather (COL) requires 100 square feet for 2-seat sofa and 125 square feet for 3-seat sofa. See Order Information in Appendices.

**Dimensions**



**Specification Information**

**Step 1.**

**ES1**

**Step 2. Number of Seats**

**08** 3 seats

**10** 2 seats

**Prices for Steps 1-2.**

<b>ES108</b>	\$10892
<b>ES110</b>	\$9743

**Step 3. Back Finish**

	<b>08</b>	<b>10</b>
<b>5Q</b> oiled walnut <input type="checkbox"/>	+\$0	0
<b>OT</b> teak <input type="checkbox"/>	+\$775	725

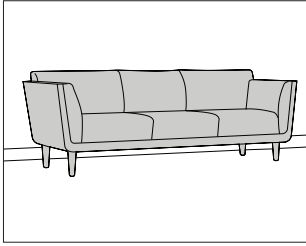
**Step 4. Base Finish**

<b>CD</b> polished aluminum <input type="checkbox"/>	+\$0
--	------

HermanMiller Collection-Sofas

Step 5. Fabric  
 See application chart and textiles list for fabric usage and numbers.  
 First 2 digits of number indicate fabric line; remaining digit(s) indicate fabric color.

	08	10
Price Category 1 <input type="checkbox"/> A	+\$0	0
Price Category 3	+\$204	181
Price Category 4	+\$333	272
Price Category (Geiger) 4	+\$333	272
Price Category 5	+\$557	492
Price Category 7 <input type="checkbox"/> A	+\$608	516
Price Category (Geiger) 7	+\$608	516
Price Category 9	+\$1611	1271
Price Category (Geiger) 10	+\$1320	1436
Price Category 11	+\$2255	1729
Price Category (Geiger) 11	+\$2255	1729
Price Category D	+\$382	382
Price Category E	+\$462	462
Price Category F	+\$597	597
Price Category G	+\$776	706
Price Category H	+\$943	943
Price Category I	+\$1108	1108
Price Category J	+\$1274	1274
Price Category K	+\$1439	1439
Price Category L	+\$1604	1604
Price Category M	+\$1770	1770
Price Category N	+\$1935	1935
Price Category O	+\$2100	2100
Price Category P	+\$2266	2266
Price Category Q	+\$2439	2439
Price Category R	+\$3790	2602
Price Category S	+\$2803	2803
Price Category V	+\$6084	4056
Price Category FF	+\$8257	6606



**Product Information**

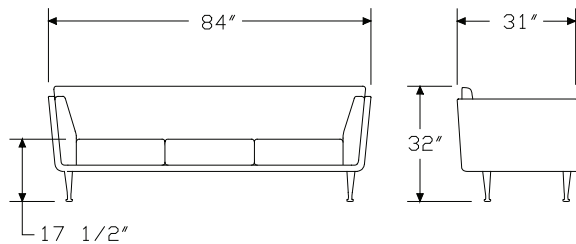
**Description**

This sofa has a molded veneer frame that wraps around the sides and back. It has 7"-thick upholstered foam cushions and 4 polished cast-aluminum legs with nonadjustable nylon glides.

**Notes**

Santos palisander veneer is celebrated for its unique grain and color variations. Similar products ordered in multiples or dissimilar products ordered separately should be expected to have variation in both grain and color characteristics; no two products will look exactly alike. Customer's Own Material (COM) requires 10 yards (8 yards for Seat/Back, 2 yards for Accent). Customer's Own Leather (COL) requires 156 square feet. See Order Information in Appendices.

**Dimensions**



**Specification Information**

**Step 1.**

**GS100.** [A] \$6200

**Step 2. Frame Finish**

<b>OU</b>	walnut [A]	+\$0
<b>EN</b>	ebony [A]	+\$50
<b>A2</b>	white ash [A]	+\$225
<b>9N</b>	santos palisander [A]	+\$3305

**Step 3. Seat/Back Fabric**

See application chart and textiles list for fabric usage and numbers. First 2 digits of number indicate fabric line; remaining digit(s) indicate fabric color.

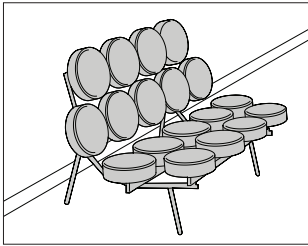
Price Category 1	+\$0
Price Category 2	+\$189
Price Category 3	+\$216
Price Category (Geiger) 3	+\$216
Price Category 4	+\$303
Price Category (Geiger) 4	+\$303
Price Category 5	+\$332
Price Category (Geiger) 5	+\$332
Price Category 6	+\$460
Price Category (Geiger) 6	+\$460
Price Category 7	+\$523
Price Category (Geiger) 7	+\$523
Price Category (Geiger) 8	+\$988
Price Category 9	+\$1383
Price Category (Geiger) 9	+\$1383
Price Category 10	+\$1729
Price Category (Geiger) 10	+\$1729
Price Category 11	+\$2075
Price Category (Geiger) 11	+\$2075
Price Category 14	+\$2470
Price Category B	+\$140
Price Category D	+\$278
Price Category E	+\$348
Price Category F	+\$488
Price Category G	+\$626
Price Category H	+\$834
Price Category I	+\$1043
Price Category J	+\$1251
Price Category K	+\$1459
Price Category L	+\$1645
Price Category M	+\$2065
Price Category N	+\$3700
Price Category O	+\$3800

Price Category P	+\$4375
Price Category Q	+\$4950
Price Category R	+\$2340
Price Category S	+\$5720
Price Category V	+\$3651
Price Category X	+\$7259
Price Category Y	+\$7644
Price Category FF	+\$9511

Price Category Q	+\$4950
Price Category R	+\$2340
Price Category S	+\$5720
Price Category V	+\$3651
Price Category X	+\$7259
Price Category Y	+\$7644
Price Category FF	+\$2378

Step 4. Accent Fabric  
 See application chart and textiles list for fabric usage and numbers.  
 First 2 digits of number indicate fabric line; remaining digit(s) indicate fabric color.

Price Category 1	+\$0
Price Category 2	+\$189
Price Category 3	+\$216
Price Category (Geiger) 3	+\$216
Price Category 4	+\$303
Price Category (Geiger) 4	+\$303
Price Category 5	+\$332
Price Category (Geiger) 5	+\$332
Price Category 6	+\$460
Price Category (Geiger) 6	+\$460
Price Category 7	+\$523
Price Category (Geiger) 7	+\$523
Price Category (Geiger) 8	+\$987
Price Category 9	+\$1383
Price Category (Geiger) 9	+\$1383
Price Category 10	+\$1729
Price Category (Geiger) 10	+\$1729
Price Category 11	+\$2075
Price Category (Geiger) 11	+\$2075
Price Category 14	+\$2470
Price Category B	+\$140
Price Category D	+\$278
Price Category E	+\$348
Price Category F	+\$488
Price Category G	+\$626
Price Category H	+\$834
Price Category I	+\$1043
Price Category J	+\$1251
Price Category K	+\$1459
Price Category L	+\$1645
Price Category M	+\$2065
Price Category N	+\$3700
Price Category O	+\$3800
Price Category P	+\$4375



**Product Information**

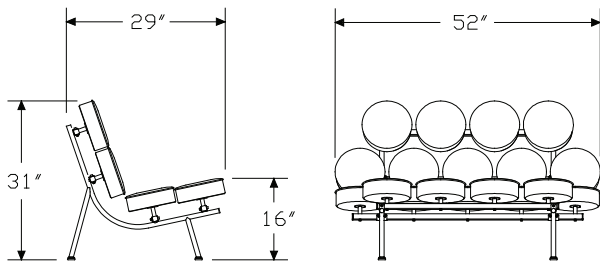
**Description**

This upholstered sofa has 18 circular cushions on the back and seat, a brushed-finish tubular-steel frame, and black-satin-finish legs.

**Notes**

Customer's Own Material (COM) requires 3¾ yards. Customer's Own Leather (COL) requires 62 square feet. See Order Information in Appendices.

**Dimensions**



**Specification Information**

**Step 1.**

**5670** [A] \$4970

**Step 2. Fabric**

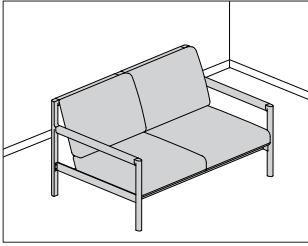
*See application chart and textiles list for fabric usage and numbers.*

*First 2 digits of number indicate fabric line; remaining digit(s) indicate fabric color.*

Price Category 1	+ \$0
Price Category 2	+ \$0
Price Category 7 [A]	+ \$1000
Price Category 9	+ \$1400
Price Category 11	+ \$1540
Price Category (Geiger) 11	+ \$1540

# Brabo Settee

SVV5A  
SVV5W



## Product Information

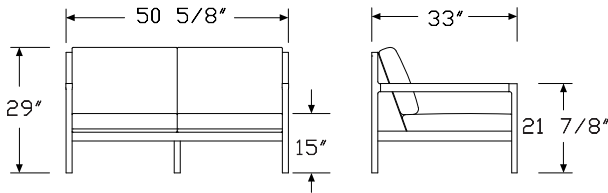
### Description

This settee has a solid ash or solid walnut frame with steel-plated metal, leather sling and arm wrap, and upholstered foam cushions.

### Notes

Customers Own Material (COM) requires 4 yards for the back and seat cushions. Customers Own Leather (COL) requires 72 square feet for the back and seat cushions, and an additional 54 square feet for the sling and arm wrap. See Order Information in Appendices.

### Dimensions



HermanMiller Collection—Sofas

## Specification Information

### Step 1.

**SVV5** A

### Step 2. Frame Finish

**A** ash A

**W** walnut A

### Prices for Steps 1-2.

<b>SVV5A</b>	\$4706
<b>SVV5W</b>	\$4911

### Step 3. Wood Finish

#### Anigre Veneer - Low Sheen

##### For ash (A)

<b>967</b>	smoked paldao, low sheen <span style="border: 1px solid black; padding: 0 2px;">A</span>	+\$0
<b>969</b>	warm paldao, low sheen <span style="border: 1px solid black; padding: 0 2px;">A</span>	+\$0

#### Premium Veneer - Low Sheen

##### For ash (A)

<b>940</b>	sundance cherry on maple <span style="border: 1px solid black; padding: 0 2px;">A</span>	+\$0
<b>943</b>	caramel cherry <span style="border: 1px solid black; padding: 0 2px;">A</span>	+\$0
<b>946</b>	cocoa cherry <span style="border: 1px solid black; padding: 0 2px;">A</span>	+\$0
<b>956</b>	cocoa sapele <span style="border: 1px solid black; padding: 0 2px;">A</span>	+\$0
<b>962</b>	toasted walnut, low sheen <span style="border: 1px solid black; padding: 0 2px;">A</span>	+\$0
<b>963</b>	charred walnut, low sheen <span style="border: 1px solid black; padding: 0 2px;">A</span>	+\$0
<b>964</b>	bronzed walnut, low sheen <span style="border: 1px solid black; padding: 0 2px;">A</span>	+\$0
<b>965</b>	smoked walnut, low sheen <span style="border: 1px solid black; padding: 0 2px;">A</span>	+\$0
<b>966</b>	coffee walnut, low sheen <span style="border: 1px solid black; padding: 0 2px;">A</span>	+\$0
<b>977</b>	chocolate ash, low sheen <span style="border: 1px solid black; padding: 0 2px;">A</span>	+\$0
<b>98R</b>	recograin rosewood <span style="border: 1px solid black; padding: 0 2px;">A</span>	+\$0
<b>991</b>	champagne ash <span style="border: 1px solid black; padding: 0 2px;">A</span>	+\$0
<b>998</b>	ebony ash <span style="border: 1px solid black; padding: 0 2px;">A</span>	+\$0
<b>99A</b>	recograin frosty ash <span style="border: 1px solid black; padding: 0 2px;">A</span>	+\$0
<b>99R</b>	recograin rosewood <span style="border: 1px solid black; padding: 0 2px;">A</span>	+\$0
<b>99T</b>	recograin teak <span style="border: 1px solid black; padding: 0 2px;">A</span>	+\$0
<b>9A1</b>	white ash, quarter cut, low sheen <span style="border: 1px solid black; padding: 0 2px;">A</span>	+\$0
<b>9K1</b>	rift oak, rift cut, low sheen <span style="border: 1px solid black; padding: 0 2px;">A</span>	+\$0
<b>9K6</b>	burnt oak, rift cut, low sheen <span style="border: 1px solid black; padding: 0 2px;">A</span>	+\$0
<b>ED</b>	aged cherry <span style="border: 1px solid black; padding: 0 2px;">A</span>	+\$0
<b>EK</b>	medium red walnut <span style="border: 1px solid black; padding: 0 2px;">A</span>	+\$0
<b>G2U</b>	light brown walnut, low sheen <span style="border: 1px solid black; padding: 0 2px;">A</span>	+\$0
<b>G40</b>	dark brown walnut, low sheen <span style="border: 1px solid black; padding: 0 2px;">A</span>	+\$0
<b>UX</b>	walnut on cherry <span style="border: 1px solid black; padding: 0 2px;">A</span>	+\$0

Premium Veneer - Matte		
<i>For ash (A)</i>		
<b>66A</b>	recograin frosty ash <span style="border: 1px solid black; padding: 0 2px;">A</span>	+\$0
<b>677</b>	chocolate ash, matte sheen <span style="border: 1px solid black; padding: 0 2px;">A</span>	+\$0
<b>68R</b>	recograin rosewood <span style="border: 1px solid black; padding: 0 2px;">A</span>	+\$0
<b>69A</b>	recograin frosty ash <span style="border: 1px solid black; padding: 0 2px;">A</span>	+\$0
<b>69R</b>	recograin rosewood <span style="border: 1px solid black; padding: 0 2px;">A</span>	+\$0
<b>69T</b>	recograin teak <span style="border: 1px solid black; padding: 0 2px;">A</span>	+\$0
<b>6A1</b>	white ash <span style="border: 1px solid black; padding: 0 2px;">A</span>	+\$0
<b>6K1</b>	rift oak <span style="border: 1px solid black; padding: 0 2px;">A</span>	+\$0
<b>6K6</b>	burnt oak <span style="border: 1px solid black; padding: 0 2px;">A</span>	+\$0
<b>ET</b>	clear on ash <span style="border: 1px solid black; padding: 0 2px;">A</span>	+\$0
<b>EU</b>	oak on ash <span style="border: 1px solid black; padding: 0 2px;">A</span>	+\$0
<b>EV</b>	walnut on ash <span style="border: 1px solid black; padding: 0 2px;">A</span>	+\$0
<b>GOU</b>	natural walnut, flat cut, matte sheen <span style="border: 1px solid black; padding: 0 2px;">A</span>	+\$0

RecoGrain Veneer		
<i>For ash (A)</i>		
<b>66G</b>	recograin wenge <span style="border: 1px solid black; padding: 0 2px;">A</span>	+\$0
<b>68W</b>	recograin walnut, flat cut, matte sheen <span style="border: 1px solid black; padding: 0 2px;">A</span>	+\$0
<b>69G</b>	recograin wenge <span style="border: 1px solid black; padding: 0 2px;">A</span>	+\$0
<b>69W</b>	recograin walnut, quarter cut, matte sheen <span style="border: 1px solid black; padding: 0 2px;">A</span>	+\$0

Recon Veneer -		
<i>For ash (A)</i>		
<b>98W</b>	recograin walnut, flat cut, low sheen <span style="border: 1px solid black; padding: 0 2px;">A</span>	+\$0
<b>99G</b>	recograin wenge, quarter cut, low sheen <span style="border: 1px solid black; padding: 0 2px;">A</span>	+\$0
<b>99W</b>	recograin walnut, quarter cut, low sheen <span style="border: 1px solid black; padding: 0 2px;">A</span>	+\$0

Premium Veneer - Low Sheen		
<i>For walnut (W)</i>		
<b>962</b>	toasted walnut, low sheen <span style="border: 1px solid black; padding: 0 2px;">A</span>	+\$0
<b>963</b>	charred walnut, low sheen <span style="border: 1px solid black; padding: 0 2px;">A</span>	+\$0
<b>964</b>	bronzed walnut, low sheen <span style="border: 1px solid black; padding: 0 2px;">A</span>	+\$0
<b>965</b>	smoked walnut, low sheen <span style="border: 1px solid black; padding: 0 2px;">A</span>	+\$0
<b>966</b>	coffee walnut, low sheen <span style="border: 1px solid black; padding: 0 2px;">A</span>	+\$0
<b>972</b>	sundance walnut <span style="border: 1px solid black; padding: 0 2px;">A</span>	+\$0
<b>98R</b>	recograin rosewood <span style="border: 1px solid black; padding: 0 2px;">A</span>	+\$0
<b>99R</b>	recograin rosewood <span style="border: 1px solid black; padding: 0 2px;">A</span>	+\$0
<b>EK</b>	medium red walnut <span style="border: 1px solid black; padding: 0 2px;">A</span>	+\$0
<b>G2U</b>	light brown walnut, low sheen <span style="border: 1px solid black; padding: 0 2px;">A</span>	+\$0
<b>G40</b>	dark brown walnut, low sheen <span style="border: 1px solid black; padding: 0 2px;">A</span>	+\$0

Premium Veneer - Matte		
<i>For walnut (W)</i>		
<b>662</b>	toasted walnut, matte sheen <span style="border: 1px solid black; padding: 0 2px;">A</span>	+\$0
<b>663</b>	charred walnut, matte sheen <span style="border: 1px solid black; padding: 0 2px;">A</span>	+\$0
<b>664</b>	bronzed walnut, matte sheen <span style="border: 1px solid black; padding: 0 2px;">A</span>	+\$0
<b>665</b>	smoked walnut, matte sheen <span style="border: 1px solid black; padding: 0 2px;">A</span>	+\$0
<b>666</b>	coffee walnut, matte sheen <span style="border: 1px solid black; padding: 0 2px;">A</span>	+\$0
<b>667</b>	smoked paldao, quarter cut, matte sheen <span style="border: 1px solid black; padding: 0 2px;">A</span>	+\$0
<b>669</b>	warm paldao, quarter cut, matte sheen <span style="border: 1px solid black; padding: 0 2px;">A</span>	+\$0
<b>68R</b>	recograin rosewood <span style="border: 1px solid black; padding: 0 2px;">A</span>	+\$0
<b>69R</b>	recograin rosewood <span style="border: 1px solid black; padding: 0 2px;">A</span>	+\$0
<b>GOU</b>	natural walnut, flat cut, matte sheen <span style="border: 1px solid black; padding: 0 2px;">A</span>	+\$0

Recon Veneer -		
<i>For walnut (W)</i>		
<b>96G</b>	wenge recograin, quarter cut, low sheen <span style="border: 1px solid black; padding: 0 2px;">A</span>	+\$0
<b>99G</b>	recograin wenge, quarter cut, low sheen <span style="border: 1px solid black; padding: 0 2px;">A</span>	+\$0

Anigre Veneer - Low Sheen		
<i>For walnut (W)</i>		
<b>967</b>	smoked paldao, low sheen <span style="border: 1px solid black; padding: 0 2px;">A</span>	+\$0
<b>969</b>	warm paldao, low sheen <span style="border: 1px solid black; padding: 0 2px;">A</span>	+\$0

RecoGrain Veneer		
<i>For walnut (W)</i>		
<b>66G</b>	recograin wenge <span style="border: 1px solid black; padding: 0 2px;">A</span>	+\$0
<b>69G</b>	recograin wenge <span style="border: 1px solid black; padding: 0 2px;">A</span>	+\$0

Step 4. Seat/Back Fabric	
Price Category (Geiger) COM <span style="border: 1px solid black; padding: 0 2px;">A</span>	+\$0
Price Category (Geiger) COL <span style="border: 1px solid black; padding: 0 2px;">A</span>	+\$216
Price Category 1	+\$0
Price Category 2	+\$188
Price Category (Geiger) 3	+\$236
Price Category 3	+\$236
Price Category (Geiger) 4	+\$288
Price Category 4	+\$288
Price Category (Geiger) 5	+\$420
Price Category 5	+\$0
Price Category (Geiger) 6	+\$552
Price Category (Geiger) 7	+\$684
Price Category (Geiger) 8	+\$1048
Price Category 9	+\$1300
Price Category (Geiger) 10	+\$1496
Price Category (Geiger) 11	+\$1676
Price Category 11	+\$1676
Price Category (Geiger) 14	+\$0

Price Category (Geiger) D	+\$280
Price Category (Geiger) E	+\$556
Price Category (Geiger) F	+\$408
Price Category (Geiger) G	+\$556
Price Category (Geiger) H	+\$692
Price Category (Geiger) I	+\$836
Price Category (Geiger) J	+\$980
Price Category (Geiger) K	+\$1124
Price Category (Geiger) L	+\$1268
Price Category (Geiger) M	+\$1412
Price Category (Geiger) N	+\$1556
Price Category (Geiger) O	+\$1700
Price Category (Geiger) P	+\$1840
Price Category (Geiger) Q	+\$2124
Price Category (Geiger) R	+\$2960
Price Category (Geiger) S	+\$3180
Price Category (Geiger) T	+\$3400
Price Category (Geiger) U	+\$3620
Price Category (Geiger) X	+\$4280
Price Category (Geiger) Y	+\$4500

Step 5. Sling/Arm Leather

Price Category (Geiger) 11	+\$1257
Price Category 11	+\$1257

Step 6. Base Finish

<b>BNZ</b> bronze <input type="checkbox"/>	+\$0
<b>CHR</b> chrome <input type="checkbox"/>	+\$0
<b>SAC</b> satin chrome <input type="checkbox"/>	+\$0

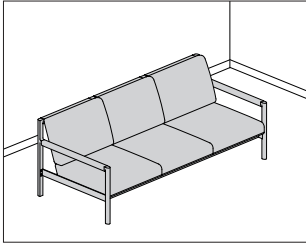
Step 7. Fire Retardancy

<b>NOCAL</b> no cal-133 required <input type="checkbox"/>	+\$0
<b>133</b> cal-133 required <input type="checkbox"/>	+\$260



# Brabo Sofa

SVV6A  
SVV6W



### Product Information

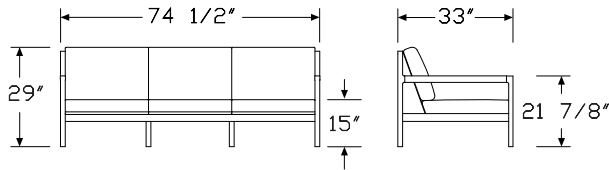
#### Description

This sofa has a solid ash or solid walnut frame with steel-plated metal, leather sling and arm wrap, and upholstered foam cushions.

#### Notes

Customers Own Material (COM) requires 6 yards for the back and seat cushions. Customers Own Leather (COL) requires 108 square feet for the back and seat cushions, and an additional 81 square feet for the sling and arm wrap. See Order Information in Appendices.

#### Dimensions



### Specification Information

#### Step 1.

**SVV6** A

#### Step 2. Frame Finish

**A** ash A

**W** walnut A

#### Prices for Steps 1-2.

<b>SVV6A</b>	\$6293
<b>SVV6W</b>	\$6567

#### Step 3. Wood Finish

#### Anigre Veneer - Low Sheen

##### For ash (A)

<b>967</b>	smoked paldao, low sheen <span style="border: 1px solid black; padding: 0 2px;">A</span>	+\$0
<b>969</b>	warm paldao, low sheen <span style="border: 1px solid black; padding: 0 2px;">A</span>	+\$0

#### Premium Veneer - Low Sheen

##### For ash (A)

<b>940</b>	sundance cherry on maple <span style="border: 1px solid black; padding: 0 2px;">A</span>	+\$0
<b>943</b>	caramel cherry <span style="border: 1px solid black; padding: 0 2px;">A</span>	+\$0
<b>946</b>	cocoa cherry <span style="border: 1px solid black; padding: 0 2px;">A</span>	+\$0
<b>956</b>	cocoa sapele <span style="border: 1px solid black; padding: 0 2px;">A</span>	+\$0
<b>962</b>	toasted walnut, low sheen <span style="border: 1px solid black; padding: 0 2px;">A</span>	+\$0
<b>963</b>	charred walnut, low sheen <span style="border: 1px solid black; padding: 0 2px;">A</span>	+\$0
<b>964</b>	bronzed walnut, low sheen <span style="border: 1px solid black; padding: 0 2px;">A</span>	+\$0
<b>965</b>	smoked walnut, low sheen <span style="border: 1px solid black; padding: 0 2px;">A</span>	+\$0
<b>966</b>	coffee walnut, low sheen <span style="border: 1px solid black; padding: 0 2px;">A</span>	+\$0
<b>977</b>	chocolate ash, low sheen <span style="border: 1px solid black; padding: 0 2px;">A</span>	+\$0
<b>98R</b>	recograin rosewood <span style="border: 1px solid black; padding: 0 2px;">A</span>	+\$0
<b>991</b>	champagne ash <span style="border: 1px solid black; padding: 0 2px;">A</span>	+\$0
<b>998</b>	ebony ash <span style="border: 1px solid black; padding: 0 2px;">A</span>	+\$0
<b>99A</b>	recograin frosty ash <span style="border: 1px solid black; padding: 0 2px;">A</span>	+\$0
<b>99R</b>	recograin rosewood <span style="border: 1px solid black; padding: 0 2px;">A</span>	+\$0
<b>99T</b>	recograin teak <span style="border: 1px solid black; padding: 0 2px;">A</span>	+\$0
<b>9A1</b>	white ash, quarter cut, low sheen <span style="border: 1px solid black; padding: 0 2px;">A</span>	+\$0
<b>9K1</b>	rift oak, rift cut, low sheen <span style="border: 1px solid black; padding: 0 2px;">A</span>	+\$0
<b>9K6</b>	burnt oak, rift cut, low sheen <span style="border: 1px solid black; padding: 0 2px;">A</span>	+\$0
<b>ED</b>	aged cherry <span style="border: 1px solid black; padding: 0 2px;">A</span>	+\$0
<b>EK</b>	medium red walnut <span style="border: 1px solid black; padding: 0 2px;">A</span>	+\$0
<b>G2U</b>	light brown walnut, low sheen <span style="border: 1px solid black; padding: 0 2px;">A</span>	+\$0
<b>G40</b>	dark brown walnut, low sheen <span style="border: 1px solid black; padding: 0 2px;">A</span>	+\$0
<b>UX</b>	walnut on cherry <span style="border: 1px solid black; padding: 0 2px;">A</span>	+\$0

Premium Veneer - Matte		
<i>For ash (A)</i>		
<b>66A</b>	recograin frosty ash <span style="border: 1px solid black; padding: 0 2px;">A</span>	+\$0
<b>677</b>	chocolate ash, matte sheen <span style="border: 1px solid black; padding: 0 2px;">A</span>	+\$0
<b>68R</b>	recograin rosewood <span style="border: 1px solid black; padding: 0 2px;">A</span>	+\$0
<b>69A</b>	recograin frosty ash <span style="border: 1px solid black; padding: 0 2px;">A</span>	+\$0
<b>69R</b>	recograin rosewood <span style="border: 1px solid black; padding: 0 2px;">A</span>	+\$0
<b>69T</b>	recograin teak <span style="border: 1px solid black; padding: 0 2px;">A</span>	+\$0
<b>6A1</b>	white ash <span style="border: 1px solid black; padding: 0 2px;">A</span>	+\$0
<b>6K1</b>	rift oak <span style="border: 1px solid black; padding: 0 2px;">A</span>	+\$0
<b>6K6</b>	burnt oak <span style="border: 1px solid black; padding: 0 2px;">A</span>	+\$0
<b>ET</b>	clear on ash <span style="border: 1px solid black; padding: 0 2px;">A</span>	+\$0
<b>EU</b>	oak on ash <span style="border: 1px solid black; padding: 0 2px;">A</span>	+\$0
<b>EV</b>	walnut on ash <span style="border: 1px solid black; padding: 0 2px;">A</span>	+\$0
<b>GOU</b>	natural walnut, flat cut, matte sheen <span style="border: 1px solid black; padding: 0 2px;">A</span>	+\$0

RecoGrain Veneer		
<i>For ash (A)</i>		
<b>66G</b>	recograin wenge <span style="border: 1px solid black; padding: 0 2px;">A</span>	+\$0
<b>68W</b>	recograin walnut, flat cut, matte sheen <span style="border: 1px solid black; padding: 0 2px;">A</span>	+\$0
<b>69G</b>	recograin wenge <span style="border: 1px solid black; padding: 0 2px;">A</span>	+\$0
<b>69W</b>	recograin walnut, quarter cut, matte sheen <span style="border: 1px solid black; padding: 0 2px;">A</span>	+\$0

Recon Veneer -		
<i>For ash (A)</i>		
<b>98W</b>	recograin walnut, flat cut, low sheen <span style="border: 1px solid black; padding: 0 2px;">A</span>	+\$0
<b>99G</b>	recograin wenge, quarter cut, low sheen <span style="border: 1px solid black; padding: 0 2px;">A</span>	+\$0
<b>99W</b>	recograin walnut, quarter cut, low sheen <span style="border: 1px solid black; padding: 0 2px;">A</span>	+\$0

Anigre Veneer - Low Sheen		
<i>For walnut (W)</i>		
<b>967</b>	smoked paldao, low sheen <span style="border: 1px solid black; padding: 0 2px;">A</span>	+\$0
<b>969</b>	warm paldao, low sheen <span style="border: 1px solid black; padding: 0 2px;">A</span>	+\$0

Premium Veneer - Low Sheen		
<i>For walnut (W)</i>		
<b>962</b>	toasted walnut, low sheen <span style="border: 1px solid black; padding: 0 2px;">A</span>	+\$0
<b>963</b>	charred walnut, low sheen <span style="border: 1px solid black; padding: 0 2px;">A</span>	+\$0
<b>964</b>	bronzed walnut, low sheen <span style="border: 1px solid black; padding: 0 2px;">A</span>	+\$0
<b>965</b>	smoked walnut, low sheen <span style="border: 1px solid black; padding: 0 2px;">A</span>	+\$0
<b>966</b>	coffee walnut, low sheen <span style="border: 1px solid black; padding: 0 2px;">A</span>	+\$0
<b>972</b>	sundance walnut <span style="border: 1px solid black; padding: 0 2px;">A</span>	+\$0
<b>98R</b>	recograin rosewood <span style="border: 1px solid black; padding: 0 2px;">A</span>	+\$0
<b>99R</b>	recograin rosewood <span style="border: 1px solid black; padding: 0 2px;">A</span>	+\$0
<b>EK</b>	medium red walnut <span style="border: 1px solid black; padding: 0 2px;">A</span>	+\$0

Premium Veneer - Matte		
<i>For walnut (W)</i>		
<b>662</b>	toasted walnut, matte sheen <span style="border: 1px solid black; padding: 0 2px;">A</span>	+\$0
<b>663</b>	charred walnut, matte sheen <span style="border: 1px solid black; padding: 0 2px;">A</span>	+\$0
<b>664</b>	bronzed walnut, matte sheen <span style="border: 1px solid black; padding: 0 2px;">A</span>	+\$0
<b>665</b>	smoked walnut, matte sheen <span style="border: 1px solid black; padding: 0 2px;">A</span>	+\$0
<b>666</b>	coffee walnut, matte sheen <span style="border: 1px solid black; padding: 0 2px;">A</span>	+\$0
<b>667</b>	smoked paldao, quarter cut, matte sheen <span style="border: 1px solid black; padding: 0 2px;">A</span>	+\$0
<b>669</b>	warm paldao, quarter cut, matte sheen <span style="border: 1px solid black; padding: 0 2px;">A</span>	+\$0
<b>68R</b>	recograin rosewood <span style="border: 1px solid black; padding: 0 2px;">A</span>	+\$0
<b>69R</b>	recograin rosewood <span style="border: 1px solid black; padding: 0 2px;">A</span>	+\$0

RecoGrain Veneer		
<i>For walnut (W)</i>		
<b>66G</b>	recograin wenge <span style="border: 1px solid black; padding: 0 2px;">A</span>	+\$0
<b>69G</b>	recograin wenge <span style="border: 1px solid black; padding: 0 2px;">A</span>	+\$0

Recon Veneer -		
<i>For walnut (W)</i>		
<b>96G</b>	wenge recograin, quarter cut, low sheen <span style="border: 1px solid black; padding: 0 2px;">A</span>	+\$0
<b>99G</b>	recograin wenge, quarter cut, low sheen <span style="border: 1px solid black; padding: 0 2px;">A</span>	+\$0

Matte Wood Finishes		
<i>For walnut (W)</i>		
<b>GOU</b>	natural walnut, flat cut, matte sheen <span style="border: 1px solid black; padding: 0 2px;">A</span>	+\$0

Step 4. Seat/Back Fabric		
Price Category (Geiger) COL <span style="border: 1px solid black; padding: 0 2px;">A</span>		+\$324
Price Category (Geiger) COM <span style="border: 1px solid black; padding: 0 2px;">A</span>		+\$0
Price Category 1		+\$0
Price Category 2		+\$282
Price Category (Geiger) 3		+\$354
Price Category 3		+\$354
Price Category (Geiger) 4		+\$432
Price Category 4		+\$432
Price Category (Geiger) 5		+\$630
Price Category 5		+\$420
Price Category (Geiger) 6		+\$828
Price Category (Geiger) 7		+\$1026
Price Category (Geiger) 8		+\$1572
Price Category 9		+\$1950
Price Category (Geiger) 10		+\$2244
Price Category (Geiger) 11		+\$2514
Price Category 11		+\$2514
Price Category (Geiger) 14		+\$0
Price Category (Geiger) D		+\$420
Price Category (Geiger) E		+\$510

## Brabo Sofa *continued*

Price Category (Geiger) F	+\$612
Price Category (Geiger) G	+\$834
Price Category (Geiger) H	+\$1038
Price Category (Geiger) I	+\$1254
Price Category (Geiger) J	+\$1470
Price Category (Geiger) K	+\$1686
Price Category (Geiger) L	+\$1902
Price Category (Geiger) M	+\$2118
Price Category (Geiger) N	+\$2334
Price Category (Geiger) O	+\$2550
Price Category (Geiger) P	+\$2760
Price Category (Geiger) Q	+\$3186
Price Category (Geiger) R	+\$4440
Price Category (Geiger) S	+\$4770
Price Category (Geiger) T	+\$5100
Price Category (Geiger) U	+\$5430
Price Category (Geiger) X	+\$6420
Price Category (Geiger) Y	+\$6750

### Step 5. Sling/Arm Leather

Price Category (Geiger) 11	+\$1886
Price Category 11	+\$1886

### Step 6. Base Finish

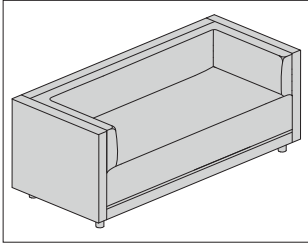
<b>BNZ</b> bronze <input type="checkbox"/>	+\$0
<b>CHR</b> chrome <input type="checkbox"/>	+\$0
<b>SAC</b> satin chrome <input type="checkbox"/>	+\$0

### Step 7. Fire Retardancy

<b>NOCAL</b> no cal-133 required <input type="checkbox"/>	+\$0
<b>133</b> cal-133 required <input type="checkbox"/>	+\$390

# Rolled Arm Sofa

SBRA-



## Product Information

### Description

This sofa is made of plywood with FR foam and Dacron® on the seat and back. The arms consist of FR foam, Dacron, and polyfoam. The legs are solid ash or walnut.

### Notes

Customer's Own Material (COM) and Customer's Own Leather (COL) require the following. See Order Information in Appendices for additional information.

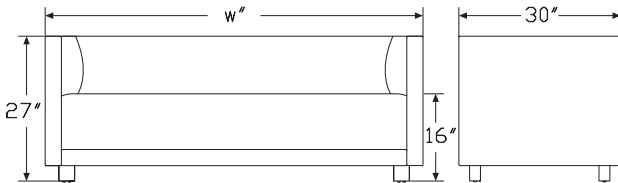
Width—COM—COL

72"—9 yards—162 square feet

84"—11 yards—198 square feet

96"—12½ yards—225 square feet

## Dimensions



HermanMiller Collection—Sofas

## Specification Information

### Step 1.

**SBRA**

### Step 2. Size

**-72** 72" wide

**-84** 84" wide

**-96** 96" wide

### Prices for Steps 1-2.

<b>SBRA-72</b>	\$4284
<b>SBRA-84</b>	\$4488
<b>SBRA-96</b>	\$4845

### Step 3. Wood Finish

#### Premium Veneer - Low Sheen

<b>932</b>	sundance anigre <input type="checkbox"/>	+\$0
<b>933</b>	caramel anigre <input type="checkbox"/>	+\$0
<b>934</b>	henna anigre <input type="checkbox"/>	+\$0
<b>940</b>	sundance cherry on maple <input type="checkbox"/>	+\$0
<b>943</b>	caramel cherry <input type="checkbox"/>	+\$0
<b>946</b>	cocoa cherry <input type="checkbox"/>	+\$0
<b>956</b>	cocoa sapele <input type="checkbox"/>	+\$0
<b>962</b>	toasted walnut, low sheen <input type="checkbox"/>	+\$0
<b>963</b>	charred walnut, low sheen <input type="checkbox"/>	+\$0
<b>964</b>	bronzed walnut, low sheen <input type="checkbox"/>	+\$0
<b>965</b>	smoked walnut, low sheen <input type="checkbox"/>	+\$0
<b>966</b>	coffee walnut, low sheen <input type="checkbox"/>	+\$0
<b>967</b>	smoked paldao, low sheen <input type="checkbox"/>	+\$0
<b>969</b>	warm paldao, low sheen <input type="checkbox"/>	+\$0
<b>972</b>	sundance walnut <input type="checkbox"/>	+\$0
<b>977</b>	chocolate ash, low sheen <input type="checkbox"/>	+\$0
<b>98R</b>	recograin rosewood <input type="checkbox"/>	+\$0
<b>991</b>	champagne ash <input type="checkbox"/>	+\$0
<b>998</b>	ebony ash <input type="checkbox"/>	+\$0
<b>99A</b>	recograin frosty ash <input type="checkbox"/>	+\$0
<b>99R</b>	recograin rosewood <input type="checkbox"/>	+\$0
<b>99T</b>	recograin teak <input type="checkbox"/>	+\$0
<b>9A1</b>	white ash, quarter cut, low sheen <input type="checkbox"/>	+\$0
<b>9K1</b>	rift oak, rift cut, low sheen <input type="checkbox"/>	+\$0
<b>9K6</b>	burnt oak, rift cut, low sheen <input type="checkbox"/>	+\$0
<b>ED</b>	aged cherry <input type="checkbox"/>	+\$0
<b>EK</b>	medium red walnut <input type="checkbox"/>	+\$0
<b>G2U</b>	light brown walnut, low sheen <input type="checkbox"/>	+\$0
<b>G40</b>	dark brown walnut, low sheen <input type="checkbox"/>	+\$0
<b>UX</b>	walnut on cherry <input type="checkbox"/>	+\$0

Rolled Arm Sofa *continued*

Premium Veneer - Matte

<b>662</b>	toasted walnut, matte sheen <b>A</b>	+\$0
<b>663</b>	charred walnut, matte sheen <b>A</b>	+\$0
<b>664</b>	bronzed walnut, matte sheen <b>A</b>	+\$0
<b>665</b>	smoked walnut, matte sheen <b>A</b>	+\$0
<b>666</b>	coffee walnut, matte sheen <b>A</b>	+\$0
<b>667</b>	smoked paldao, quarter cut, matte sheen <b>A</b>	+\$0
<b>669</b>	warm paldao, quarter cut, matte sheen <b>A</b>	+\$0
<b>66A</b>	recograin frosty ash <b>A</b>	+\$0
<b>677</b>	chocolate ash, matte sheen <b>A</b>	+\$0
<b>68R</b>	recograin rosewood <b>A</b>	+\$0
<b>69A</b>	recograin frosty ash <b>A</b>	+\$0
<b>69R</b>	recograin rosewood <b>A</b>	+\$0
<b>69T</b>	recograin teak <b>A</b>	+\$0
<b>6A1</b>	white ash <b>A</b>	+\$0
<b>6K1</b>	rift oak <b>A</b>	+\$0
<b>6K6</b>	burnt oak <b>A</b>	+\$0
<b>ET</b>	clear on ash <b>A</b>	+\$0
<b>EU</b>	oak on ash <b>A</b>	+\$0
<b>EV</b>	walnut on ash <b>A</b>	+\$0
<b>GOU</b>	natural walnut, flat cut, matte sheen <b>A</b>	+\$0

RecoGrain Veneer

<b>66G</b>	recograin wenge <b>A</b>	+\$0
<b>68W</b>	recograin walnut, flat cut, matte sheen <b>A</b>	+\$0
<b>69G</b>	recograin wenge <b>A</b>	+\$0
<b>69W</b>	recograin walnut, quarter cut, matte sheen <b>A</b>	+\$0

Recon Veneer -

<b>96G</b>	wenge recograin, quarter cut, low sheen <b>A</b>	+\$0
<b>98W</b>	recograin walnut, flat cut, low sheen <b>A</b>	+\$0
<b>99G</b>	recograin wenge, quarter cut, low sheen <b>A</b>	+\$0
<b>99W</b>	recograin walnut, quarter cut, low sheen <b>A</b>	+\$0

Step 4. Upholstery

*For 72" wide (-72)*

Price Category (Geiger) COL <b>A</b>	+\$648
Price Category (Geiger) COM <b>A</b>	+\$0
Price Category 1	+\$0
Price Category (Geiger) 2	+\$0
Price Category 2	+\$423
Price Category (Geiger) 3	+\$531
Price Category 3	+\$531
Price Category (Geiger) 4	+\$648
Price Category 4	+\$756
Price Category (Geiger) 5	+\$945
Price Category 5	+\$945
Price Category (Geiger) 6	+\$1242
Price Category (Geiger) 7	+\$1539
Price Category (Geiger) 8	+\$2358
Price Category 9	+\$2925
Price Category (Geiger) 10	+\$3366
Price Category (Geiger) 11	+\$3771
Price Category (Geiger) 14	+\$4941
Price Category (Geiger) D	+\$788
Price Category (Geiger) E	+\$893
Price Category (Geiger) F	+\$998
Price Category (Geiger) G	+\$1103
Price Category (Geiger) H	+\$1208
Price Category (Geiger) I	+\$1881
Price Category (Geiger) J	+\$1365
Price Category (Geiger) K	+\$1523
Price Category (Geiger) L	+\$1680
Price Category (Geiger) N	+\$2100
Price Category (Geiger) P	+\$2310
Price Category (Geiger) Q	+\$4475
Price Category (Geiger) U	+\$8145
Price Category (Geiger) X	+\$9630

Rolled Arm Sofa *continued*

*For 84" wide (-84)*

Price Category (Geiger) COL <input type="checkbox"/>	+\$792
Price Category (Geiger) COM <input type="checkbox"/>	+\$0
Price Category 1	+\$0
Price Category (Geiger) 2	+\$0
Price Category 2	+\$517
Price Category (Geiger) 3	+\$649
Price Category 3	+\$649
Price Category (Geiger) 4	+\$792
Price Category 4	+\$828
Price Category (Geiger) 5	+\$1155
Price Category 5	+\$1155
Price Category (Geiger) 6	+\$1518
Price Category (Geiger) 7	+\$1881
Price Category (Geiger) 8	+\$2882
Price Category 9	+\$3575
Price Category (Geiger) 10	+\$4114
Price Category 10	+\$0
Price Category (Geiger) 11	+\$4609
Price Category (Geiger) 14	+\$6039
Price Category (Geiger) D	+\$863
Price Category (Geiger) E	+\$978
Price Category (Geiger) F	+\$1093
Price Category (Geiger) G	+\$1208
Price Category (Geiger) H	+\$1323
Price Category (Geiger) I	+\$2299
Price Category (Geiger) J	+\$1495
Price Category (Geiger) K	+\$1668
Price Category (Geiger) L	+\$1840
Price Category (Geiger) N	+\$2300
Price Category (Geiger) P	+\$2530
Price Category (Geiger) Q	+\$4900
Price Category (Geiger) U	+\$9955
Price Category (Geiger) X	+\$11770

*For 96" wide (-96)*

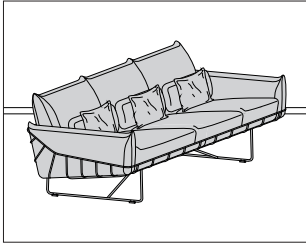
Price Category (Geiger) COL <input type="checkbox"/>	+\$900
Price Category (Geiger) COM <input type="checkbox"/>	+\$0
Price Category 1	+\$0
Price Category (Geiger) 2	+\$0
Price Category 2	+\$588
Price Category (Geiger) 3	+\$738
Price Category 3	+\$738
Price Category (Geiger) 4	+\$900
Price Category 4	+\$900
Price Category (Geiger) 5	+\$1313
Price Category 5	+\$1313
Price Category (Geiger) 6	+\$1725
Price Category (Geiger) 7	+\$2138
Price Category (Geiger) 8	+\$3275
Price Category 9	+\$4063
Price Category (Geiger) 10	+\$4675
Price Category (Geiger) 11	+\$5238
Price Category (Geiger) 14	+\$6863
Price Category (Geiger) D	+\$938
Price Category (Geiger) E	+\$1063
Price Category (Geiger) F	+\$1188
Price Category (Geiger) G	+\$1313
Price Category (Geiger) H	+\$1438
Price Category (Geiger) I	+\$2613
Price Category (Geiger) J	+\$1625
Price Category (Geiger) K	+\$1813
Price Category (Geiger) L	+\$2000
Price Category (Geiger) N	+\$2500
Price Category (Geiger) P	+\$2750
Price Category (Geiger) Q	+\$5325
Price Category (Geiger) U	+\$11313
Price Category (Geiger) X	+\$13375

Step 5. Fire Retardancy

<b>NOCAL</b> no cal-133 required <input type="checkbox"/>	+\$0
<b>133</b> cal-133 required <input type="checkbox"/>	+\$585
<b>133</b> cal-133 required <input type="checkbox"/>	+\$715
<b>133</b> cal-133 required <input type="checkbox"/>	+\$813

# Wireframe™ Sofa

BK110



### Product Information

#### Description

This sofa has contoured cushions on a separate wire frame structure, featuring SuperSeat™ technology. It is available in 2-seat or 3-seat configuration. Lumbar and throw pillows included.

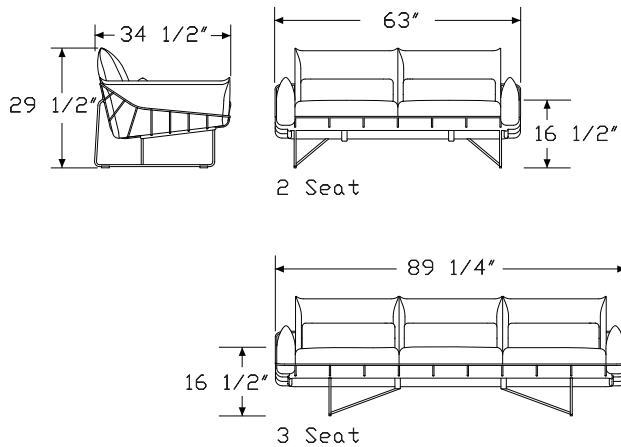
#### Notes

Fire retardant sofa meets CAL 133 requirements.

COM/COL requires 11 yards/198 square feet per 2-seat sofa, and 14 yards/252 square feet per 3-seat sofa.

Lumbar and throw pillows are shipped in same material specified for chair cushions.

#### Dimensions



### Specification Information

#### Step 1.

**BK1**  A

#### Step 2. Size

**1002** 2-seat sofa  A

**1003** 3-seat sofa  A

#### Prices for Steps 1-2.

<b>BK11002</b>	\$5103
<b>BK11003</b>	\$6206

#### Step 3. Frame Finish

<b>91</b> white <input type="checkbox"/> A	+ \$0
<b>BK</b> black <input type="checkbox"/> A	+ \$0

#### Step 4. Fabric

	<b>1002</b>	<b>1003</b>
Price Category 1	+ \$0	0
Price Category 2	+ \$200	250
Price Category 3	+ \$300	350
Price Category (Geiger) 3	+ \$300	350
Price Category 4	+ \$500	600
Price Category (Geiger) 4	+ \$500	600
Price Category 5	+ \$700	850
Price Category (Geiger) 5	+ \$700	850
Price Category 6	+ \$950	1100
Price Category (Geiger) 6	+ \$950	1100
Price Category 7	+ \$1250	1500
Price Category (Geiger) 7	+ \$1250	1500
Price Category (Geiger) 8	+ \$1600	1950
Price Category 9	+ \$1950	2350
Price Category (Geiger) 9	+ \$1950	2350
Price Category 10	+ \$2350	2800
Price Category (Geiger) 10	+ \$2350	2800
Price Category 11	+ \$2700	3250
Price Category (Geiger) 11	+ \$2700	3250
Price Category 14	+ \$3750	4550
Price Category B	+ \$282	359
Price Category D	+ \$647	823
Price Category E	+ \$782	995
Price Category F	+ \$1010	1286
Price Category G	+ \$1312	1670
Price Category H	+ \$1595	2031
Price Category (Geiger) H	+ \$1595	2031
Price Category I	+ \$1875	2387
Price Category J	+ \$2155	2743

HermanMiller Collection-Sofas

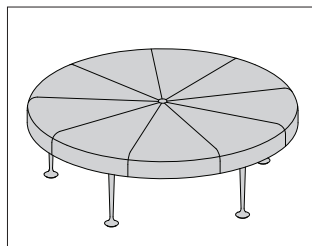
Wireframe™ Sofa *continued*

Price Category K	+\$2435	3099
Price Category L	+\$2715	3455
Price Category M	+\$2995	3812
Price Category N	+\$3275	4168
Price Category O	+\$3555	4524
Price Category P	+\$3834	4880
Price Category Q	+\$4128	5254
Price Category R	+\$5868	7469
Price Category S	+\$4744	6038
Price Category T	+\$5052	6430
Price Category U	+\$5360	6822
Price Category X	+\$7985	10163
Price Category Y	+\$8408	10702

Step 5. Fire Retardancy

<b>NOCAL</b> not fire retardant <input type="checkbox"/>		+\$0
<b>133</b> fire retardant <input type="checkbox"/>		+\$488



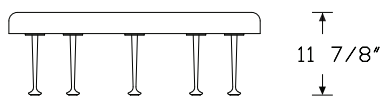
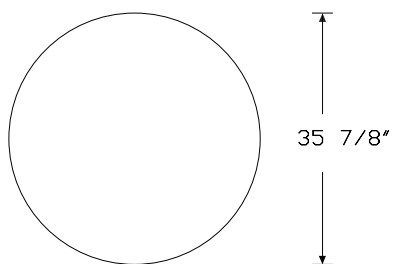


**Product Information**

**Description**

This ottoman is upholstered in either Jacobs Coat or a coordinated trio of Hallingdal colors. Legs are polished aluminum and have nonadjustable nylon glides.

**Dimensions**



**Specification Information**

**Step 1.**

**66332** [A] \$1957

**Step 2. Base Finish**

**L** polished aluminum [A] +\$0

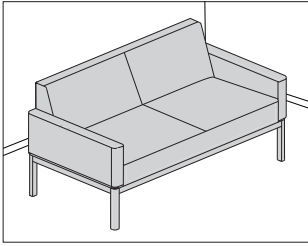
**Step 3. Fabric**

Price Category H +\$400

Price Category L +\$700

# Wood Base Settee

TT2AA  
TT2AW



### Product Information

#### Description

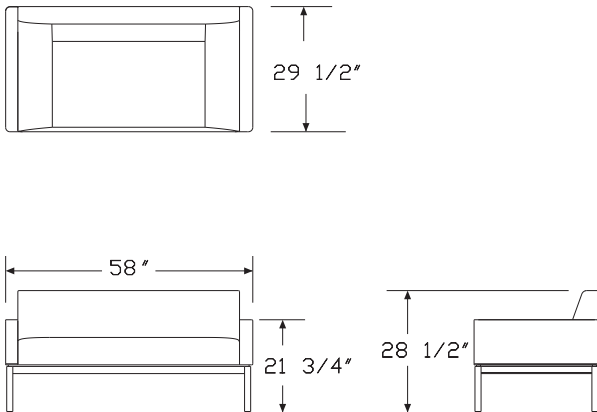
This settee has a polyurethane foam and Dacron® seat with a solid wood base. Base comes in ash or walnut.

#### Notes

Fire retardant settee meets CAL 133 requirements.

Customer's Own Material (COM) requires 5¼ yards. Customer's Own Leather (COL) requires 94½ square feet. See Order Information in appendices.

#### Dimensions



HermanMiller Collection—Sofas

### Specification Information

#### Step 1.

TT2  A

#### Step 2. Arms

A arms  A

#### Step 3. Wood Finish

A ash  A

W walnut  A

#### Prices for Steps 1-3.

TT2AA	\$3595
TT2AW	\$3795

#### Step 4. Upholstery

Price Category (Geiger) COL <input type="checkbox"/> A	+\$306
Price Category (Geiger) COM <input type="checkbox"/> A	+\$0
Price Category 1	+\$0
Price Category (Geiger) 2	+\$200
Price Category (Geiger) 3	+\$251
Price Category (Geiger) 4	+\$306
Price Category (Geiger) 5	+\$446
Price Category 5	+\$445
Price Category (Geiger) 6	+\$0
Price Category (Geiger) 7	+\$727
Price Category (Geiger) 8	+\$1114
Price Category (Geiger) 10	+\$1381
Price Category (Geiger) 11	+\$1781
Price Category 11	+\$1781

#### Step 5. Leg Finish

#### Low Sheen Finishes (on Ash)

#### For ash (A)

967	smoked paldao, low sheen <input type="checkbox"/> A	+\$0
969	warm paldao, low sheen <input type="checkbox"/> A	+\$0

Low Sheen Finishes (on Ash)

For ash (A)

<b>940</b>	sundance cherry on maple [A]	+\$0
<b>943</b>	caramel cherry [A]	+\$0
<b>946</b>	cocoa cherry [A]	+\$0
<b>956</b>	cocoa sapele [A]	+\$0
<b>962</b>	toasted walnut, low sheen [A]	+\$0
<b>963</b>	charred walnut, low sheen [A]	+\$0
<b>964</b>	bronzed walnut, low sheen [A]	+\$0
<b>965</b>	smoked walnut, low sheen [A]	+\$0
<b>966</b>	coffee walnut, low sheen [A]	+\$0
<b>977</b>	chocolate ash, low sheen [A]	+\$0
<b>98R</b>	recograin rosewood [A]	+\$0
<b>991</b>	champagne ash [A]	+\$0
<b>998</b>	ebony ash [A]	+\$0
<b>99A</b>	recograin frosty ash [A]	+\$0
<b>99R</b>	recograin rosewood [A]	+\$0
<b>99T</b>	recograin teak [A]	+\$0
<b>9A1</b>	white ash, quarter cut, low sheen [A]	+\$0
<b>9K1</b>	rift oak, rift cut, low sheen [A]	+\$0
<b>9K6</b>	burnt oak, rift cut, low sheen [A]	+\$0
<b>ED</b>	aged cherry [A]	+\$0
<b>EK</b>	medium red walnut [A]	+\$0
<b>G2U</b>	light brown walnut, low sheen [A]	+\$0
<b>G40</b>	dark brown walnut, low sheen [A]	+\$0
<b>UX</b>	walnut on cherry [A]	+\$0

Low Sheen Finishes (on Ash)

For ash (A)

<b>98W</b>	recograin walnut, flat cut, low sheen [A]	+\$0
<b>99G</b>	recograin wenge, quarter cut, low sheen [A]	+\$0
<b>99W</b>	recograin walnut, quarter cut, low sheen [A]	+\$0

Matte Sheen Finishes (on Ash)

For ash (A)

<b>66A</b>	recograin frosty ash [A]	+\$0
<b>677</b>	chocolate ash, matte sheen [A]	+\$0
<b>68R</b>	recograin rosewood [A]	+\$0
<b>69A</b>	recograin frosty ash [A]	+\$0
<b>69R</b>	recograin rosewood [A]	+\$0
<b>69T</b>	recograin teak [A]	+\$0
<b>6A1</b>	white ash [A]	+\$0
<b>6K1</b>	rift oak [A]	+\$0
<b>6K6</b>	burnt oak [A]	+\$0
<b>ET</b>	clear on ash [A]	+\$0
<b>EU</b>	oak on ash [A]	+\$0
<b>EV</b>	walnut on ash [A]	+\$0
<b>GOU</b>	natural walnut, flat cut, matte sheen [A]	+\$0

Matte Sheen Finishes (on Ash)

For ash (A)

<b>66G</b>	recograin wenge [A]	+\$0
<b>68W</b>	recograin walnut, flat cut, matte sheen [A]	+\$0
<b>69G</b>	recograin wenge [A]	+\$0
<b>69W</b>	recograin walnut, quarter cut, matte sheen [A]	+\$0

Low Sheen Finishes (on Walnut)

For walnut (W)

<b>967</b>	smoked paldao, low sheen [A]	+\$0
<b>969</b>	warm paldao, low sheen [A]	+\$0

Low Sheen Finishes (on Walnut)

For walnut (W)

<b>962</b>	toasted walnut, low sheen [A]	+\$0
<b>963</b>	charred walnut, low sheen [A]	+\$0
<b>964</b>	bronzed walnut, low sheen [A]	+\$0
<b>965</b>	smoked walnut, low sheen [A]	+\$0
<b>966</b>	coffee walnut, low sheen [A]	+\$0
<b>972</b>	sundance walnut [A]	+\$0
<b>98R</b>	recograin rosewood [A]	+\$0
<b>99R</b>	recograin rosewood [A]	+\$0
<b>EK</b>	medium red walnut [A]	+\$0
<b>G2U</b>	light brown walnut, low sheen [A]	+\$0
<b>G40</b>	dark brown walnut, low sheen [A]	+\$0

Low Sheen Finishes (on Walnut)

For walnut (W)

<b>96G</b>	wenge recograin, quarter cut, low sheen [A]	+\$0
<b>99G</b>	recograin wenge, quarter cut, low sheen [A]	+\$0

Wood Base Settee *continued*

---

Matte Sheen Finishes (on Walnut)

*For walnut (W)*

<b>662</b>	toasted walnut, matte sheen <input type="checkbox"/>	+\$0
<b>663</b>	charred walnut, matte sheen <input type="checkbox"/>	+\$0
<b>664</b>	bronzed walnut, matte sheen <input type="checkbox"/>	+\$0
<b>665</b>	smoked walnut, matte sheen <input type="checkbox"/>	+\$0
<b>666</b>	coffee walnut, matte sheen <input type="checkbox"/>	+\$0
<b>667</b>	smoked paldao, quarter cut, matte sheen <input type="checkbox"/>	+\$0
<b>669</b>	warm paldao, quarter cut, matte sheen <input type="checkbox"/>	+\$0
<b>68R</b>	recograin rosewood <input type="checkbox"/>	+\$0
<b>69R</b>	recograin rosewood <input type="checkbox"/>	+\$0
<b>GOU</b>	natural walnut, flat cut, matte sheen <input type="checkbox"/>	+\$0

---

Matte Sheen Finishes (on Walnut)

*For walnut (W)*

<b>66G</b>	recograin wenge <input type="checkbox"/>	+\$0
<b>69G</b>	recograin wenge <input type="checkbox"/>	+\$0

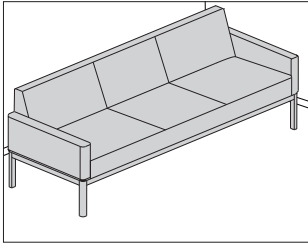
---

Step 6. Fire Retardancy

<b>133</b>	cal-133 required <input type="checkbox"/>	+\$276
<b>NOCAL</b>	no cal-133 required <input type="checkbox"/>	+\$0

# Wood Base Sofa

TT3AA  
TT3AW



### Product Information

#### Description

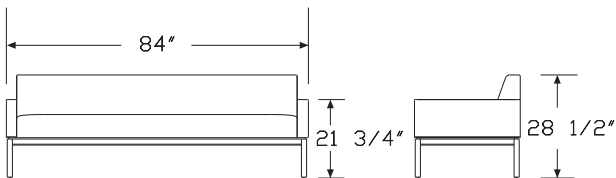
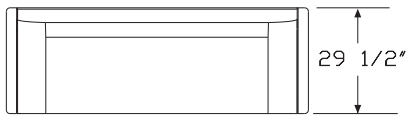
This sofa has a polyurethane foam and Dacron® seat with a solid wood base. Base comes in ash or walnut.

#### Notes

Fire retardant sofa meets CAL 133 requirements.

Customer's Own Material (COM) requires 7¼ yards. Customer's Own Leather (COL) requires 130½ square feet. See Order Information in appendices.

#### Dimensions



### Specification Information

#### Step 1.

**TT3**  A

#### Step 2. Arms

**A** arms  A

#### Step 3. Wood Finish

**A** ash  A

**W** walnut  A

#### Prices for Steps 1-3.

<b>TT3AA</b>	\$4400
<b>TT3AW</b>	\$4700

#### Step 4. Upholstery

Price Category (Geiger) COL <input type="checkbox"/> A	+\$414
Price Category (Geiger) COM <input type="checkbox"/> A	+\$0
Price Category 1	+\$0
Price Category (Geiger) 2	+\$270
Price Category (Geiger) 3	+\$339
Price Category (Geiger) 4	+\$414
Price Category (Geiger) 5	+\$604
Price Category 5	+\$604
Price Category (Geiger) 6	+\$0
Price Category (Geiger) 7	+\$983
Price Category (Geiger) 8	+\$1507
Price Category (Geiger) 10	+\$2151
Price Category (Geiger) 11	+\$2409
Price Category 11	+\$2409

#### Step 5. Leg Finish

#### Low Sheen Finishes (on Ash)

#### For ash (A)

<b>967</b> smoked paldao, low sheen <input type="checkbox"/> A	+\$0
<b>969</b> warm paldao, low sheen <input type="checkbox"/> A	+\$0

## Low Sheen Finishes (on Ash)

*For ash (A)*

<b>940</b>	sundance cherry on maple <input type="checkbox"/>	+\$0
<b>943</b>	caramel cherry <input type="checkbox"/>	+\$0
<b>946</b>	cocoa cherry <input type="checkbox"/>	+\$0
<b>956</b>	cocoa sapele <input type="checkbox"/>	+\$0
<b>962</b>	toasted walnut, low sheen <input type="checkbox"/>	+\$0
<b>963</b>	charred walnut, low sheen <input type="checkbox"/>	+\$0
<b>964</b>	bronzed walnut, low sheen <input type="checkbox"/>	+\$0
<b>965</b>	smoked walnut, low sheen <input type="checkbox"/>	+\$0
<b>966</b>	coffee walnut, low sheen <input type="checkbox"/>	+\$0
<b>977</b>	chocolate ash, low sheen <input type="checkbox"/>	+\$0
<b>98R</b>	recograin rosewood <input type="checkbox"/>	+\$0
<b>991</b>	champagne ash <input type="checkbox"/>	+\$0
<b>998</b>	ebony ash <input type="checkbox"/>	+\$0
<b>99A</b>	recograin frosty ash <input type="checkbox"/>	+\$0
<b>99R</b>	recograin rosewood <input type="checkbox"/>	+\$0
<b>99T</b>	recograin teak <input type="checkbox"/>	+\$0
<b>9A1</b>	white ash, quarter cut, low sheen <input type="checkbox"/>	+\$0
<b>9K1</b>	rift oak, rift cut, low sheen <input type="checkbox"/>	+\$0
<b>9K6</b>	burnt oak, rift cut, low sheen <input type="checkbox"/>	+\$0
<b>ED</b>	aged cherry <input type="checkbox"/>	+\$0
<b>EK</b>	medium red walnut <input type="checkbox"/>	+\$0
<b>G2U</b>	light brown walnut, low sheen <input type="checkbox"/>	+\$0
<b>G40</b>	dark brown walnut, low sheen <input type="checkbox"/>	+\$0
<b>UX</b>	walnut on cherry <input type="checkbox"/>	+\$0

## Low Sheen Finishes (on Ash)

*For ash (A)*

<b>98W</b>	recograin walnut, flat cut, low sheen <input type="checkbox"/>	+\$0
<b>99G</b>	recograin wenge, quarter cut, low sheen <input type="checkbox"/>	+\$0
<b>99W</b>	recograin walnut, quarter cut, low sheen <input type="checkbox"/>	+\$0

## Matte Sheen Finishes (on Ash)

*For ash (A)*

<b>66A</b>	recograin frosty ash <input type="checkbox"/>	+\$0
<b>677</b>	chocolate ash, matte sheen <input type="checkbox"/>	+\$0
<b>68R</b>	recograin rosewood <input type="checkbox"/>	+\$0
<b>69A</b>	recograin frosty ash <input type="checkbox"/>	+\$0
<b>69R</b>	recograin rosewood <input type="checkbox"/>	+\$0
<b>69T</b>	recograin teak <input type="checkbox"/>	+\$0
<b>6A1</b>	white ash <input type="checkbox"/>	+\$0
<b>6K1</b>	rift oak <input type="checkbox"/>	+\$0
<b>6K6</b>	burnt oak <input type="checkbox"/>	+\$0
<b>ET</b>	clear on ash <input type="checkbox"/>	+\$0
<b>EU</b>	oak on ash <input type="checkbox"/>	+\$0
<b>EV</b>	walnut on ash <input type="checkbox"/>	+\$0
<b>GOU</b>	natural walnut, flat cut, matte sheen <input type="checkbox"/>	+\$0

## Matte Sheen Finishes (on Ash)

*For ash (A)*

<b>66G</b>	recograin wenge <input type="checkbox"/>	+\$0
<b>68W</b>	recograin walnut, flat cut, matte sheen <input type="checkbox"/>	+\$0
<b>69G</b>	recograin wenge <input type="checkbox"/>	+\$0
<b>69W</b>	recograin walnut, quarter cut, matte sheen <input type="checkbox"/>	+\$0

## Low Sheen Finishes (on Walnut)

*For walnut (W)*

<b>962</b>	toasted walnut, low sheen <input type="checkbox"/>	+\$0
<b>963</b>	charred walnut, low sheen <input type="checkbox"/>	+\$0
<b>964</b>	bronzed walnut, low sheen <input type="checkbox"/>	+\$0
<b>965</b>	smoked walnut, low sheen <input type="checkbox"/>	+\$0
<b>966</b>	coffee walnut, low sheen <input type="checkbox"/>	+\$0
<b>972</b>	sundance walnut <input type="checkbox"/>	+\$0
<b>98R</b>	recograin rosewood <input type="checkbox"/>	+\$0
<b>99R</b>	recograin rosewood <input type="checkbox"/>	+\$0
<b>EK</b>	medium red walnut <input type="checkbox"/>	+\$0
<b>G2U</b>	light brown walnut, low sheen <input type="checkbox"/>	+\$0
<b>G40</b>	dark brown walnut, low sheen <input type="checkbox"/>	+\$0

## Matte Sheen Finishes (on Walnut)

*For walnut (W)*

<b>967</b>	smoked paldao, low sheen <input type="checkbox"/>	+\$0
<b>969</b>	warm paldao, low sheen <input type="checkbox"/>	+\$0

## Wood Base Sofa *continued*

---

### Matte Sheen Finishes (on Walnut)

#### *For walnut (W)*

<b>662</b>	toasted walnut, matte sheen <input type="checkbox"/> A	+\$0
<b>663</b>	charred walnut, matte sheen <input type="checkbox"/> A	+\$0
<b>664</b>	bronzed walnut, matte sheen <input type="checkbox"/> A	+\$0
<b>665</b>	smoked walnut, matte sheen <input type="checkbox"/> A	+\$0
<b>666</b>	coffee walnut, matte sheen <input type="checkbox"/> A	+\$0
<b>667</b>	smoked paldao, quarter cut, matte sheen <input type="checkbox"/> A	+\$0
<b>669</b>	warm paldao, quarter cut, matte sheen <input type="checkbox"/> A	+\$0
<b>68R</b>	recograin rosewood <input type="checkbox"/> A	+\$0
<b>69R</b>	recograin rosewood <input type="checkbox"/> A	+\$0
<b>GOU</b>	natural walnut, flat cut, matte sheen <input type="checkbox"/> A	+\$0

---

### Matte Sheen Finishes (on Walnut)

#### *For walnut (W)*

<b>66G</b>	recograin wenge <input type="checkbox"/> A	+\$0
<b>69G</b>	recograin wenge <input type="checkbox"/> A	+\$0

---

### Matte Sheen Finishes (on Walnut)

#### *For walnut (W)*

<b>96G</b>	wenge recograin, quarter cut, low sheen <input type="checkbox"/> A	+\$0
<b>99G</b>	recograin wenge, quarter cut, low sheen <input type="checkbox"/> A	+\$0

---

### Step 6. Fire Retardancy

<b>133</b>	cal-133 required <input type="checkbox"/> A	+\$374
<b>NOCAL</b>	no cal-133 required <input type="checkbox"/> A	+\$0





# HermanMiller Collection Desks and Tables

**Desks**

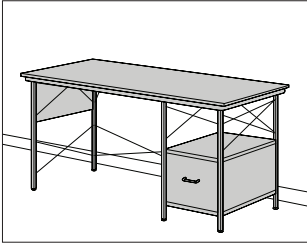
**Tables**

**Occasional Tables**



# Eames® Desk Unit

EDU10.  
EDU20.  
EDU21.

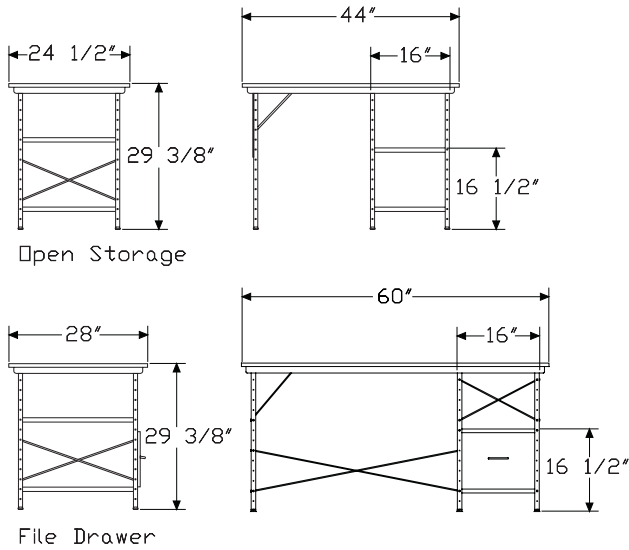


## Product Information

### Description

This desk unit has a powder-coated or zinc-coated steel frame, a birch top, painted side panels, with either open storage or a birch-front file drawer on the left or right side. It has adjustable glides.

### Dimensions



## Specification Information

### Step 1.

**EDU**

### Step 2. File Drawer

- 10.** open storage
- 20.** right-hand file drawer
- 21.** left-hand file drawer

### Prices for Steps 1-2.

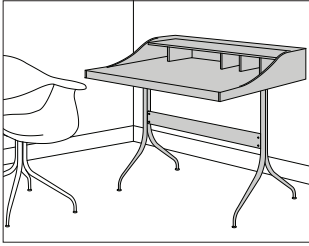
<b>EDU10.</b>	\$1970
<b>EDU20.</b>	\$2092
<b>EDU21.</b>	\$2092

### Step 3. Frame Finish

<b>ZC</b> zinc plated <input type="checkbox"/>	+\$0
<b>BU</b> black <input type="checkbox"/>	+\$95

### Step 4. Surface Finish

<b>NC</b> natural color <input type="checkbox"/>	+\$0
<b>W9</b> multi-color <input type="checkbox"/>	+\$0



HermanMiller Collection—Desks

**Product Information**

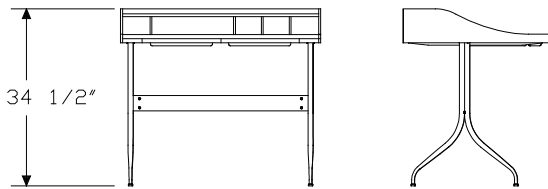
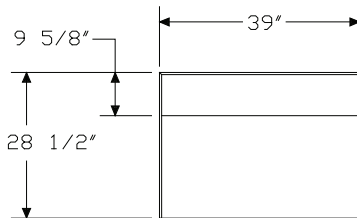
**Description**

This 34½"-high desk has a white-laminate top surface, solid walnut side and back panels, 4 hardwood dividers, and 2 black-plastic pencil drawers. The base is chrome-finished steel tubing with a solid walnut stretcher and adjustable glides. The desk also has a grommet for cable management. Shipped knocked down.

**Notes**

Hardwood divider colors include 2 orange, 1 spa blue, and 1 chartreuse.

**Dimensions**



**Specification Information**

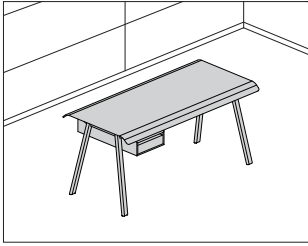
**Step 1.**

**NS5850** [A]

\$2781

# Distil Desk

TB100.

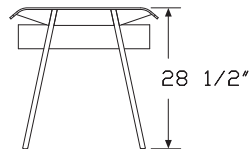
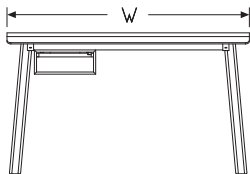
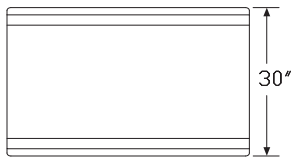


## Product Information

### Description

This desk has a molded plywood top with veneer in a choice of finishes, solid wood legs, and a choice of storage boxes. Storage boxes have laminate interior surfaces, can be oriented vertically or horizontally, and mounted on the left or right side of the desk. Storage box includes a drawer with coordinating laminate interior and is stained to match the desk top. Ships knocked down.

### Dimensions



## Specification Information

### Step 1.

**TB100.** [A](#)

### Step 2. Size

**3048** 30" deep x 48" wide [A](#)

**3060** 30" deep x 60" wide [A](#)

### Step 3. Storage Box Option

#### For 30" deep x 48" wide (3048)

**VSB** vertical, single box [A](#)

**HSB** horizontal, single box [A](#)

#### For 30" deep x 60" wide (3060)

**VSB** vertical, single box [A](#)

**HSB** horizontal, single box [A](#)

**VHB** 1 vertical and 1 horizontal box [A](#)

**VVB** 2 vertical boxes [A](#)

### Prices for Steps 1-3.

	VSB	HSB	VHB	VVB
<b>TB100. 3048</b>	\$3468	3366	—	—
<b>3060</b>	\$3570	3468	4590	4692

### Step 4. Top Finish

		3048	3060
<b>A2</b>	white ash <a href="#">A</a>		+\$0 0
<b>EN</b>	ebony <a href="#">A</a>		+\$0 0
<b>OU</b>	walnut <a href="#">A</a>		+\$150 300

### Step 5. Storage Box Interior Finish

#### For white ash (A2)

**91** white [A](#) +\$0

#### For ebony (EN)

**BK** black [A](#) +\$0

#### For walnut (OU)

**91** white [A](#) +\$0

**BK** black [A](#) +\$0

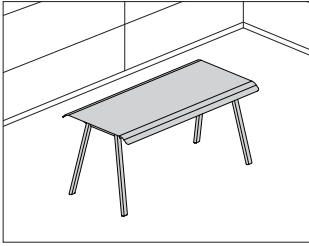
**ORN** orange [A](#) +\$0

### Step 6. Leg Material

**WWD** wood [A](#) +\$0

Distil Table

TB200.



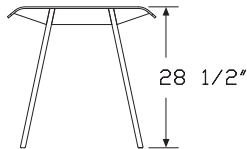
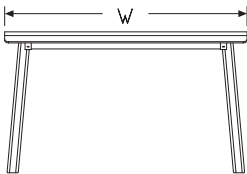
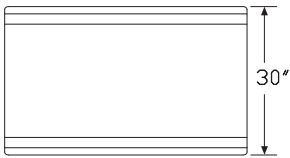
HermanMiller Collection—Desks

**Product Information**

**Description**

This table has a molded plywood top with veneer in a choice of finishes and solid wood legs. Ships knocked down.

**Dimensions**



**Specification Information**

**Step 1.**

**TB200.**  A

**Step 2. Size**

**3048** 30" deep x 48" wide  A

**3060** 30" deep x 60" wide  A

**Prices for Steps 1-2.**

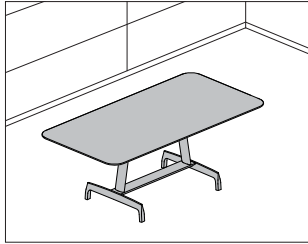
<b>TB200. 3048</b>	\$2346
<b>3060</b>	\$2448

**Step 3. Top Finish**

		<b>3048</b>	<b>3060</b>
<b>A2</b>	white ash <input type="checkbox"/> A	+\$0	0
<b>EN</b>	ebony <input type="checkbox"/> A	+\$0	0
<b>OU</b>	walnut <input type="checkbox"/> A	+\$150	300

**Step 4. Leg Material**

<b>WWD</b>	wood <input type="checkbox"/> A	+\$0
------------	---------------------------------	------



**Product Information**

**Description**

This rectangular table comes in 3 depths and 7 widths, and has painted Formcoat®, veneer, and stone surface options. Top is 3/4" thick and has a soft, tapered edge. Glides have 1 1/4" of leveling adjustment.

**Notes**

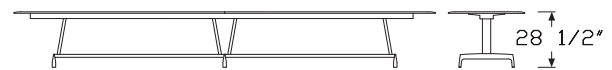
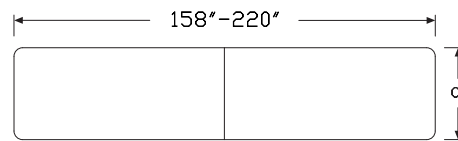
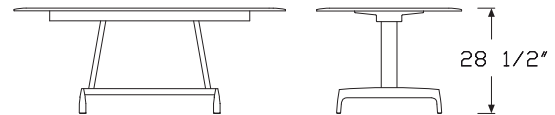
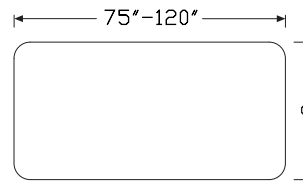
Tables 158" wide and wider will have 2-piece tops and a double base.

Grain direction for veneer tables less than 158" wide will align with width; for veneer tables 158" wide and wider grain direction will align with depth.

Santos palisander veneer is celebrated for its unique grain and color variations. Similar products ordered in multiples or dissimilar products ordered separately should be expected to have variation in both grain and color characteristics; no two products will look exactly alike.

Natural characteristics in stone cause variations in hues, veins, crystals, and distinctive marks. These variations and subtle changes seen as the stone ages are values associated with natural materials. No two tabletops are identically the same; variations in both color and veining are to be expected. Over time the stone may fade in color, staining of the surface may appear, and surface cracks-if not already visible at time of purchase-may appear. Small cracks do not affect the structure of the tabletop.

**Dimensions**



**Specification Information**

Step 1.

**DF** A

Step 2. Shape

**100.** rectangular A

Step 3. Depth

**38** 38" deep A

**42** 42" deep A

**48** 48" deep A

Step 4. Width

*For 38" deep (38)*

**75** 75" wide A

**85** 85" wide A

*For 42" deep (42)*

**85** 85" wide A

**95** 95" wide A

*For 48" deep (48)*

**95** 95" wide A

**120** 120" wide A

**158** 158" wide A

**190** 190" wide A

**220** 220" wide A

Step 5. Surface Material

*For 75" wide (75), 85" wide (85), or 95" wide (95)*

**P** painted Formcoat® A

**W** veneer A

**S** stone A

*For 120" wide (120), 158" wide (158), 190" wide (190), or 220" wide (220)*

**P** painted Formcoat® A

**W** veneer A

Prices for Steps 1-5.

	<b>P</b>	<b>W</b>	<b>S</b>
<b>DF100. 38 75</b>	\$4079	6119	15299
<b>85</b>	\$4181	6221	15809
<b>42 85</b>	\$4283	6323	16319
<b>95</b>	\$4589	6629	17339

<b>48 95</b>	\$4793	6833	18869
<b>120</b>	\$5507	7547	—
<b>158</b>	\$7853	12239	—
<b>190</b>	\$9179	13259	—
<b>220</b>	\$9689	14279	—

Step 6. Understructure Finish

<b>91</b> white <span style="border: 1px solid black; padding: 0 2px;">A</span>	+\$0
<b>BK</b> black <span style="border: 1px solid black; padding: 0 2px;">A</span>	+\$0

Step 7. Base Finish

*For white (91)*

<b>91</b> white <span style="border: 1px solid black; padding: 0 2px;">A</span>	+\$0
<b>PA</b> polished aluminum <span style="border: 1px solid black; padding: 0 2px;">A</span>	+\$0

*For black (BK)*

<b>BK</b> black <span style="border: 1px solid black; padding: 0 2px;">A</span>	+\$0
<b>PA</b> polished aluminum <span style="border: 1px solid black; padding: 0 2px;">A</span>	+\$0

Step 8. Top Finish

*For painted Formcoat® (P)*

<b>8Q</b> folkstone grey <span style="border: 1px solid black; padding: 0 2px;">A</span>	+\$0
<b>91</b> white <span style="border: 1px solid black; padding: 0 2px;">A</span>	+\$0

*For 38" deep (38), 42" deep (42), or 48" deep (48) with 75" wide (75), 85" wide (85), 95" wide (95), or 120" wide (120), or 158" wide (158), or 190" wide (190), or 220" wide (220) with veneer (W) with white (91), or polished aluminum (PA)*

<b>A2</b> white ash <span style="border: 1px solid black; padding: 0 2px;">A</span>	+\$0
---	------

*For veneer (W) AND black (BK)*

		<b>3875</b>	<b>3885</b>	<b>4285</b>	<b>4295</b>	<b>4895</b>
<b>9N</b> santos palisander <span style="border: 1px solid black; padding: 0 2px;">A</span>	+\$1299	1499	1899	2299	2399	
<b>A2</b> white ash <span style="border: 1px solid black; padding: 0 2px;">A</span>	+\$0	0	0	0	0	
<b>EN</b> ebony <span style="border: 1px solid black; padding: 0 2px;">A</span>	+\$0	0	0	0	0	
<b>OU</b> walnut <span style="border: 1px solid black; padding: 0 2px;">A</span>	+\$0	0	0	0	0	
		<b>48120</b>	<b>48158</b>	<b>48190</b>	<b>48220</b>	
<b>9N</b> santos palisander <span style="border: 1px solid black; padding: 0 2px;">A</span>	+\$3699	4099	4599	6299		
<b>A2</b> white ash <span style="border: 1px solid black; padding: 0 2px;">A</span>	+\$0	0	0	0		
<b>EN</b> ebony <span style="border: 1px solid black; padding: 0 2px;">A</span>	+\$0	0	0	0		
<b>OU</b> walnut <span style="border: 1px solid black; padding: 0 2px;">A</span>	+\$0	0	0	0		



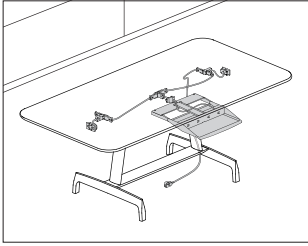
		<i>For veneer (W) AND polished aluminum (PA)</i>				
		<b>3875</b>	<b>3885</b>	<b>4285</b>	<b>4295</b>	<b>4895</b>
<b>9N</b>	santos palisander [A]	+\$1299	1499	1899	2299	2399
<b>EN</b>	ebony [A]	+\$0	0	0	0	0
<b>OU</b>	walnut [A]	+\$0	0	0	0	0
		<b>48120</b>	<b>48158</b>	<b>48190</b>	<b>48220</b>	
<b>9N</b>	santos palisander [A]	+\$3699	4099	4599	6299	
<b>EN</b>	ebony [A]	+\$0	0	0	0	
<b>OU</b>	walnut [A]	+\$0	0	0	0	

*For 38" deep (38), 42" deep (42), or 48" deep (48) with 75" wide (75), or 85" wide (85), or 95" wide (95) with stone (S) with white (91), or polished aluminum (PA)*

<b>5U</b>	georgia grey marble [A]					+\$1500
-----------	-------------------------	--	--	--	--	---------

*For 38" deep (38), 42" deep (42), or 48" deep (48) with 75" wide (75), or 85" wide (85), or 95" wide (95) with stone (S) with black (BK), or polished aluminum (PA)*

<b>5U</b>	georgia grey marble [A]					+\$1500
<b>HR</b>	wisconsin black marble [A]					+\$5000



**Product Information**

**Description**

This power kit connects to an AGL™ table. Each kit includes a predetermined number of trays (based on table size), a power entry connector, power jumpers and 2 duplex receptacles for each end of an AGL table. Each tray includes 2 combination receptacles that have a 15-amp simplex receptacle and dual USB ports. Power kit is UL listed for use with AGL table in the US and Canada.

**Notes**

Each receptacle is rated at 120 VAC, 15 amp.

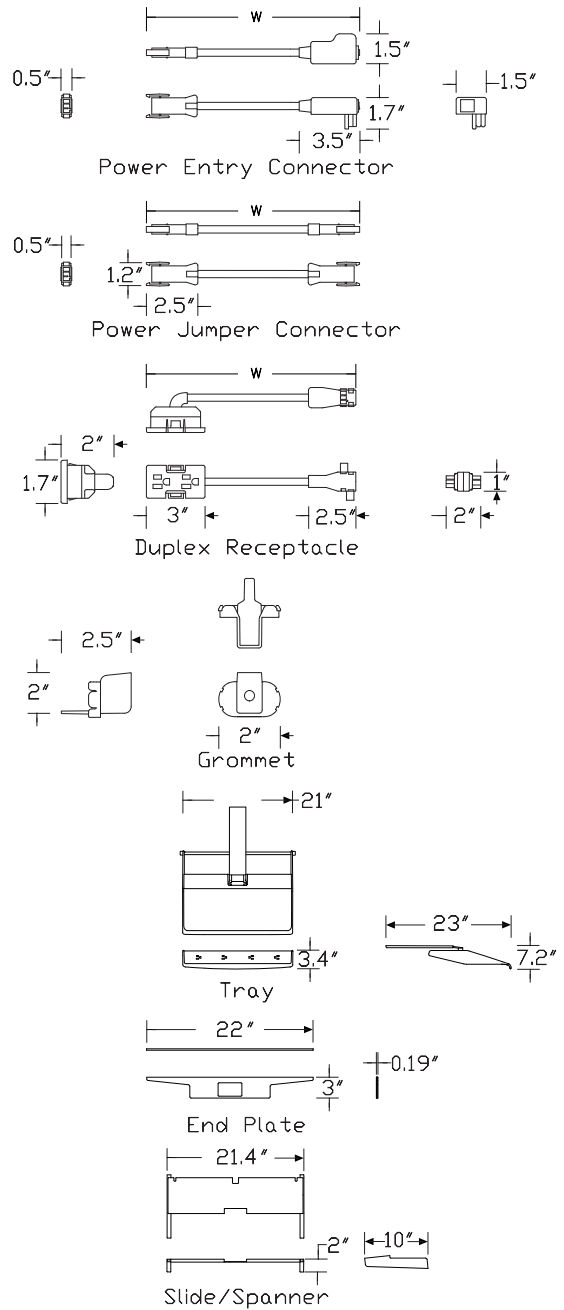
One of the USB ports is a high-power port that can accommodate tablets and other high draw devices.

Each power cord has a 15-amp resettable circuit breaker.

For desking applications, specify 1 tray for 38" deep x 75" wide, 38" deep x 85" wide, and 42" deep x 85" wide tables.

HermanMiller Collection—Tables

**Dimensions**



# AGL™ Table Group Power Kit

continued

## Specification Information

Step 1.

**DF900.**  A

Step 2. Table Size & Kit Configuration

- 3875A** 38" deep X 75" wide, 1 tray  A
- 3875B** 38" deep X 75" wide, 2 trays  A
- 3885A** 38" deep X 85" wide, 1 tray  A
- 3885B** 38" deep X 85" wide, 2 trays  A
- 4285A** 42" deep X 85" wide, 1 tray  A
- 4285B** 42" deep X 85" wide, 2 trays  A
- 4295B** 42" deep X 95" wide, 2 trays  A
- 4895B** 48" deep X 95" wide, 2 trays  A
- 48120C** 48" deep X 120" wide, 4 trays  A
- 48158C** 48" deep X 158" wide, 4 trays  A
- 48190D** 48" wide X 190" deep, 6 trays  A
- 48220D** 48" wide X 220" deep, 6 trays  A

Prices for Steps 1-2.

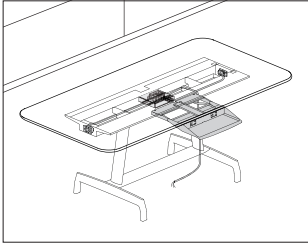
<b>DF900. 3875A</b>	\$917
<b>3875B</b>	\$1427
<b>3885A</b>	\$917
<b>3885B</b>	\$1427
<b>4285A</b>	\$917
<b>4285B</b>	\$1427
<b>4295B</b>	\$1427
<b>4895B</b>	\$1427
<b>48120C</b>	\$2651
<b>48158C</b>	\$2651
<b>48190D</b>	\$3671
<b>48220D</b>	\$3671

Step 3. Finish

<b>91</b> white <input type="checkbox"/> A	+ \$0
<b>BK</b> black <input type="checkbox"/> A	+ \$0

AGL™ Table Group Power Kit,  
Chicago version

DF901.



HermanMiller Collection—Tables

**Product Information**

**Description**

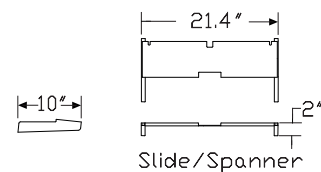
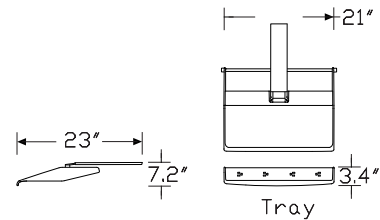
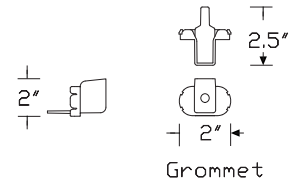
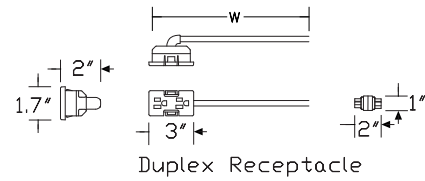
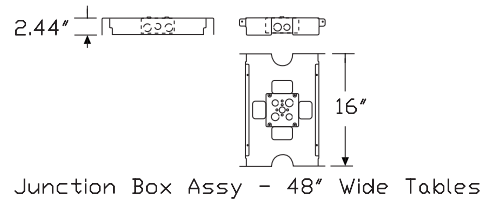
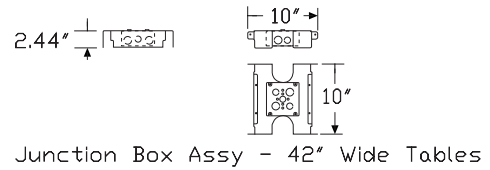
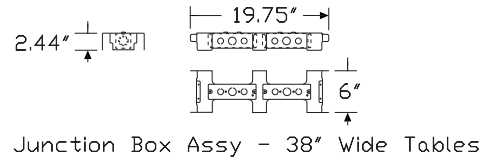
This power kit is for use with an AGL™ table only and must be wired by a licensed electrician. It includes a predetermined number of trays (based on table size), junction boxes, junction box covers, and duplex receptacles for each end of an AGL table. Each tray in the kit includes 2 combination receptacles that have a 15-amp simplex receptacle and dual USB ports.

**Notes**

Each receptacle is rated at 120 VAC, 15 amp.

For desking applications, specify 1 tray for 38" deep x 75" wide, 38" deep x 85" wide, and 42" deep x 85" wide AGL tables.

**Dimensions**



AGL™ Table Group Power Kit,  
Chicago version *continued*

**Specification Information**

Step 1.

**DF901.**  A

Step 2. Table Size & Kit Configuration

- 3875A** 38" deep X 75" wide, 1 tray  A
- 3875B** 38" deep X 75" wide, 2 trays  A
- 3885A** 38" deep X 85" wide, 1 tray  A
- 3885B** 38" deep X 85" wide, 2 trays  A
- 4285A** 42" deep X 85" wide, 1 tray  A
- 4285B** 42" deep X 85" wide, 2 trays  A
- 4295B** 42" deep X 95" wide, 2 trays  A
- 4895B** 48" deep X 95" wide, 2 trays  A
- 48120C** 48" deep X 120" wide, 4 trays  A
- 48158C** 48" deep X 158" wide, 4 trays  A
- 48190D** 48" wide X 190" deep, 6 trays  A
- 48220D** 48" wide X 220" deep, 6 trays  A

Prices for Steps 1-2.

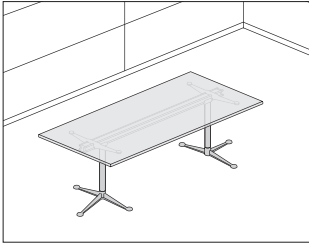
<b>DF901. 3875A</b>	\$815
<b>3875B</b>	\$1427
<b>3885A</b>	\$815
<b>3885B</b>	\$1427
<b>4285A</b>	\$815
<b>4285B</b>	\$1427
<b>4295B</b>	\$1427
<b>4895B</b>	\$1427
<b>48120C</b>	\$2549
<b>48158C</b>	\$2549
<b>48190D</b>	\$3569
<b>48220D</b>	\$3569

Step 3. Finish

<b>91</b> white <input type="checkbox"/> A	+ \$0
<b>BK</b> black <input type="checkbox"/> A	+ \$0

# Burdick Group™ Rectangular Table

BG321  
BG322  
BG331  
BG332



HermanMiller Collection—Tables

## Product Information

### Description

This glass top table attaches to a beam and is available in 2 widths and 2 depths. Beam top surface, end caps, glides, and hook-and-loop fasteners are black. Attachment brackets are included.

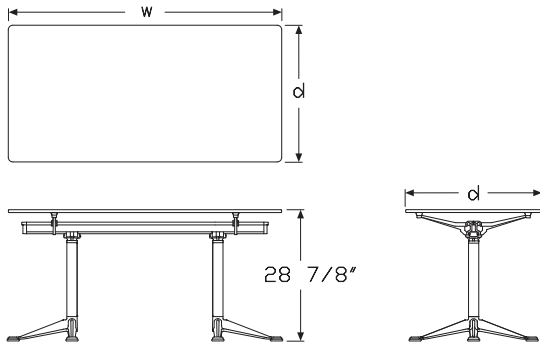
### Notes

Beam length is unique for 60"-wide and 72"-wide tables.

For white (91) bracket finish, attachment screws will be bright zinc. For black (BK) and polished aluminum (CD) bracket finishes, attachment screws will be black zinc.

Leg-to-beam connector is polished aluminum with no painted accents.

## Dimensions



## Specification Information

### Step 1.

**BG3**  A

### Step 2. Depth/Width

- 21** 30" deep x 60" wide  A
- 22** 30" deep x 72" wide  A
- 31** 36" deep x 60" wide  A
- 32** 36" deep x 72" wide  A

### Step 3. Surface Material

**G** glass top  A

### Prices for Steps 1-3.

<b>BG321 G</b>	\$4429
<b>BG322 G</b>	\$5769
<b>BG331 G</b>	\$4532
<b>BG332 G</b>	\$5872

### Step 4. Top/Edge Finish

**JL** clear glass  A + \$0

### Step 5. Bracket Finish

- 91** white  A + \$0
- BK** black  A + \$0
- CD** polished aluminum  A + \$0

### Step 6. Column Finish

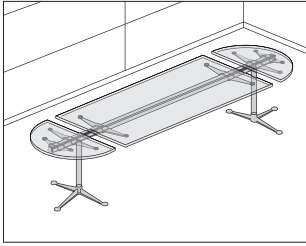
- 91** white  A + \$0
- BK** black  A + \$0

### Step 7. Base Finish

**CD** polished aluminum  A + \$0

# Burdick Group™ Oval Table

BG335  
BG336  
BG435  
BG436



## Product Information

### Description

This oval table has a rectangular glass center surface with glass or stone half-round surfaces on each end, attached to a beam. Table is available in 2 heights, 2 widths and 1 depth. Beam top surface, end caps, glides, and hook-and-loop fasteners are black. Attachment brackets are included.

### Notes

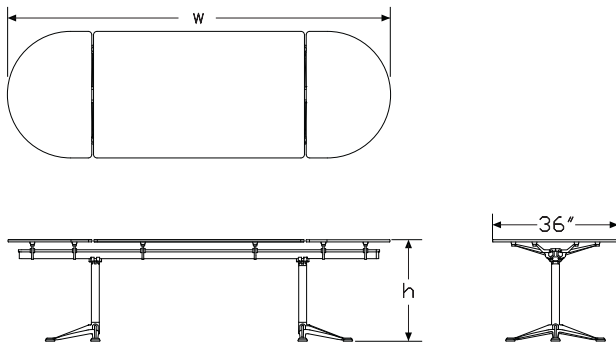
Beam length is unique for each table width.

Center section dimensions are 36" x 60" for the 108" table width, and 36" x 72" for the 120" table width.

For white (91) bracket finish, attachment screws will be bright zinc. For black (BK) and polished aluminum (CD) bracket finishes, attachment screws will be black zinc.

Leg-to-beam connector is polished aluminum with no painted accents.

## Dimensions



## Specification Information

### Step 1.

**BG**  A

### Step 2. Height

**3** 28.5" high  A

**4** 36" high  A

### Step 3. Depth/Width

**35** 36" deep x 108" wide  A

**36** 36" deep x 120" wide  A

### Step 4. Middle Surface Material

**G** glass top  A

### Step 5. Ends Surface Material

**G** glass top  A

**S** stone top  A

### Prices for Steps 1-5.

	<b>G</b>	<b>S</b>
<b>BG335 G</b>	\$7108	13598
<b>BG336 G</b>	\$8447	14937
<b>BG435 G</b>	\$7108	13598
<b>BG436 G</b>	\$8447	14937

### Step 6. Middle Surface Finish

**JL** clear glass  A +\$0

### Step 7. Ends Surface Finish

#### For glass top (G)

**JL** clear glass  A +\$0

#### For stone top (S)

**5U** georgia grey marble  A +\$699

**HR** wisconsin black marble  A +\$1899

### Step 8. Bracket Finish

**91** white  A +\$0

**BK** black  A +\$0

**CD** polished aluminum  A +\$0

Burdick Group™ Oval Table *continued*

HermanMiller Collection—Tables

---

Step 9. Column Finish		
<b>91</b>	white <input type="checkbox"/>	+\$0
<b>BK</b>	black <input type="checkbox"/>	+\$0

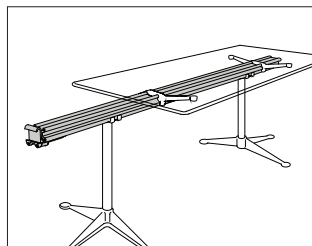
---

Step 10. Base Finish		
<b>CD</b>	polished aluminum <input type="checkbox"/>	+\$0



# Burdick Group™ Beam

BG105  
BG106



### Product Information

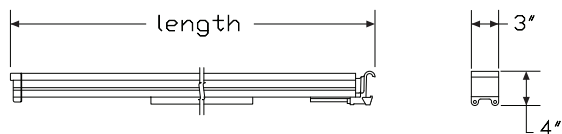
#### Description

This structural beam supports Burdick Group™ products. The beam is polished aluminum and has a cable management channel on the underside. Beams can be connected to form right angles. Attachment hardware included.

#### Notes

Order base assembly (BG107) separately.

#### Dimensions



### Specification Information

#### Step 1.

**BG10** [A]

#### Step 2. Type/Length

**6** connecting and 5' 6" long [A]

**5** connecting and 7' long [A]

#### Prices for Steps 1-2.

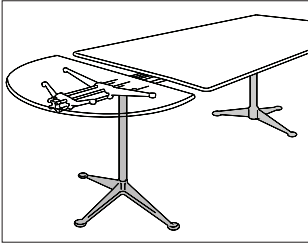
**BG106** \$1340

**BG105** \$1546

#### Step 3. Top Finish

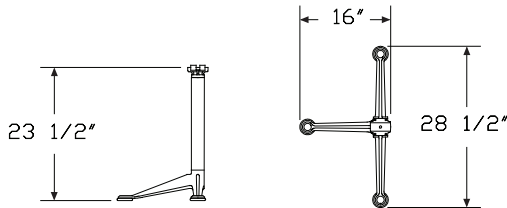
**BU** black umber [A] +\$0

Burdick Group™ Base Assembly BG107



HermanMiller Collection—Tables

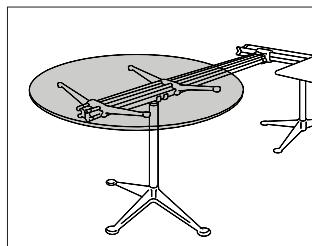
Product Information
<b>Description</b> This base structure supports a beam and has a vertical cable management package. The base is polished aluminum. Attachment hardware included. Shipped knocked down.
<b>Notes</b> Order beam (BG105 or BG106) separately.
<b>Dimensions</b>



Specification Information
<b>Step 1.</b> BG10 <input type="checkbox"/>
<b>Step 2. Configuration</b> 7 single <input type="checkbox"/>
<b>Prices for Steps 1-2.</b> BG107 \$773
<b>Step 3. Column Finish</b>
91 white <input type="checkbox"/> +\$0
BK black <input type="checkbox"/> +\$0

Burdick Group™ Round Work Surface

BG122



**Product Information**

Description

This 48"-diameter glass work surface attaches to a beam. Attachment brackets included.

Dimensions



**Specification Information**

Step 1.

**BG1**  A

Step 2. Material

**22** glass  A

Prices for Steps 1-2.

**BG122** \$1981

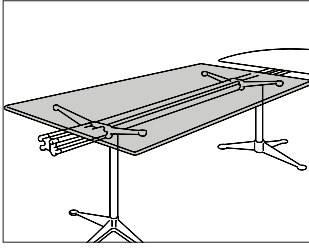
Step 3. Bracket Finish

**91** white  A +\$0

**BK** black  A +\$0

**CD** polished aluminum  A +\$0

Burdick Group™ Rectangular Work Surface  
 BG120  
 BG121

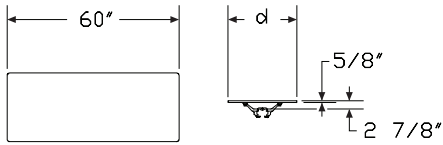


HermanMiller Collection—Tables

**Product Information**

**Description**  
 This 60"-wide glass work surface attaches to a beam. Attachment brackets included.

**Dimensions**



**Specification Information**

**Step 1.**

**BG1**

**Step 2. Material/Depth**

**21** glass and 24" deep

**20** glass and 36" deep

**Prices for Steps 1-2.**

**BG121** \$1494

**BG120** \$1957

**Step 3. Bracket Finish**

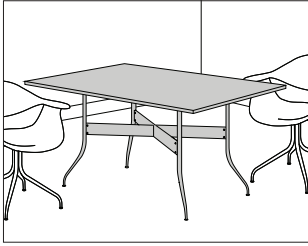
**91** white  +\$0

**BK** black  +\$0

**CD** polished aluminum  +\$0

Nelson™ Swag Leg Dining Table  
Rectangular

NS585

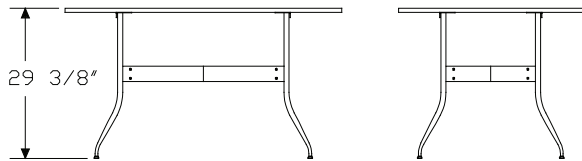
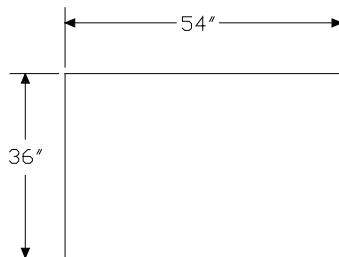


**Product Information**

**Description**

This 29<sup>3/8</sup>"-high rectangular dining table has a white laminate top or walnut veneer top with a walnut edge band, 4 chrome-finished steel-tube legs, 2 solid walnut stretchers, and adjustable glides. Shipped knocked down.

**Dimensions**



**Specification Information**

**Step 1.**

**NS5851**  A

**Step 2. Surface Material**

**L** laminate  A

**W** veneer  A

**Prices for Steps 1-2.**

<b>NS5851 L</b>	\$1828
<b>W</b>	\$2314

**Step 3. Surface Finish**

*For laminate (L)*

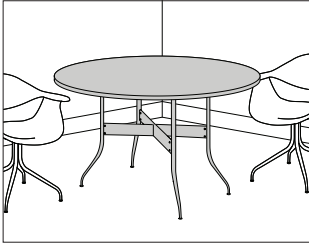
**91** white  A + \$0

*For veneer (W)*

**OU** walnut  A + \$0

Nelson™ Swag Leg Dining Table  
Round

NS585



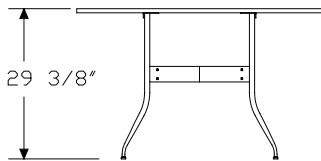
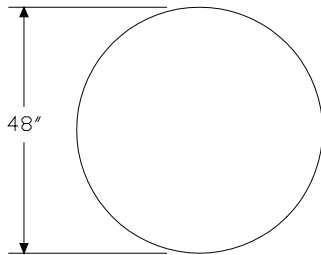
HermanMiller Collection—Tables

**Product Information**

**Description**

This 29<sup>3</sup>/<sub>8</sub>"-high round dining table has a white laminate top or walnut veneer top with a walnut edge band, 4 chrome-finished steel-tube legs, 2 solid walnut stretchers, and adjustable glides. Shipped knocked down.

**Dimensions**



**Specification Information**

**Step 1.**

**NS5852**  A

**Step 2. Surface Material**

**L** laminate  A

**W** veneer  A

**Prices for Steps 1-2.**

<b>NS5852 L</b>	\$1828
<b>W</b>	\$2192

**Step 3. Surface Finish**

*For laminate (L)*

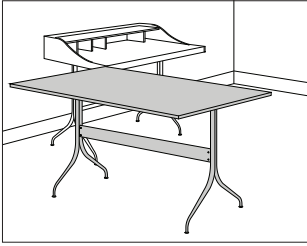
**91** white  A + \$0

*For veneer (W)*

**OU** walnut  A + \$0

Nelson™ Swag Leg Work Table

NS585

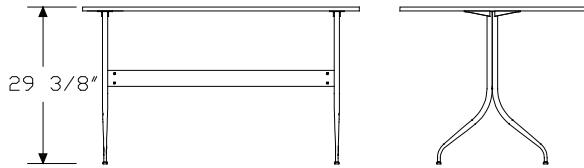
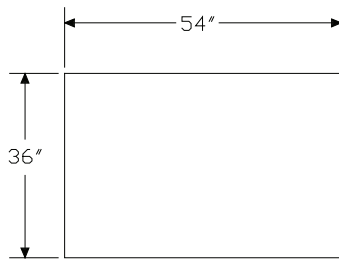


**Product Information**

**Description**

This 29<sup>3</sup>/<sub>8</sub>"-high rectangular work table has a white laminate top or walnut veneer top with a walnut edge band, 4 chrome-finished steel-tube legs, 2 solid walnut stretchers, and adjustable glides. Shipped knocked down.

**Dimensions**



**Specification Information**

**Step 1.**

**NS5854**  A

**Step 2. Surface Material**

**L** laminate  A

**W** veneer  A

**Prices for Steps 1-2.**

<b>NS5854 L</b>	\$1828
<b>W</b>	\$2314

**Step 3. Surface Finish**

*For laminate (L)*

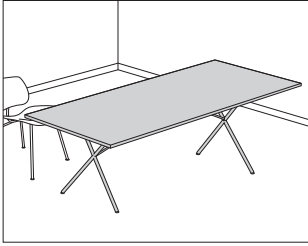
**91** white  A + \$0

*For veneer (W)*

**OU** walnut  A + \$0

Nelson™ X-Leg Table

NX100.



HermanMiller Collection—Tables

**Product Information**

**Description**

This 28½"-high rectangular table has a laminate or veneer top with a veneer edge. Shipped knocked down.

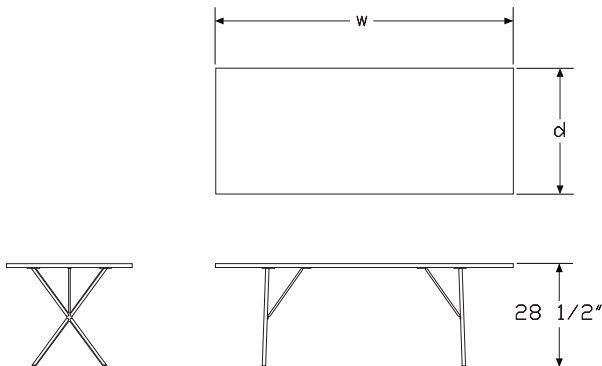
Laminate top veneer edge colors are predetermined:

- Top Color—Veneer Edge
- White (91)—Walnut (OU)
- Studio White (98)—White Ash (A2)

**Notes**

Santos palisander veneer is celebrated for its unique grain and color variations. Similar products ordered in multiples or dissimilar products ordered separately should be expected to have variation in both grain and color characteristics; no two products will look exactly alike.

**Dimensions**



**Specification Information**

**Step 1.**

**NX100.** [A]

**Step 2. Depth**

- 30** 30" deep [A]
- 36** 36" deep [A]

**Step 3. Width**

- 60** 60" wide [A]
- 72** 72" wide [A]
- 84** 84" wide [A]

**Step 4. Surface Material**

- L** laminate with veneer edge [A]
- W** veneer with veneer edge [A]

**Prices for Steps 1-4.**

		L	W
<b>NX100. 30</b>	<b>60</b>	\$1836	2040
	<b>72</b>	\$2040	2550
	<b>84</b>	\$2382	3060
<b>36</b>	<b>60</b>	\$2040	2550
	<b>72</b>	\$2382	3060
	<b>84</b>	\$2739	3519

**Step 5. Top Finish**

**Solid-Color Laminate**

*For laminate with veneer edge (L)*

<b>91</b>	white [A]					+\$0
<b>98</b>	studio white [A]					+\$0

**Wood Veneer**

*For veneer with veneer edge (W)*

		3060	3072	3084	3660	3672
<b>OU</b>	walnut [A]	+\$0	0	0	0	0
<b>A2</b>	white ash [A]	+\$250	265	265	265	290
<b>9N</b>	santos palisander [A]	+\$950	1009	1009	1009	1104
						<b>3684</b>
<b>OU</b>	walnut [A]					+\$0
<b>A2</b>	white ash [A]					+\$305
<b>9N</b>	santos palisander [A]					+\$1161



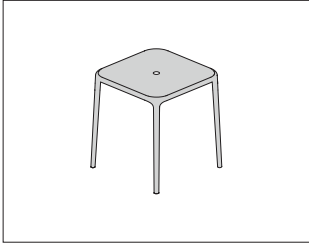
# Nelson™ X-Leg Table *continued*

---

Step 6. Leg Finish		
<b>91</b>	white <input type="checkbox"/>	+\$0
<b>BK</b>	black <input type="checkbox"/>	+\$0
<b>47</b>	trivalent chrome <input type="checkbox"/>	+\$55

Air-Table

MGA70.



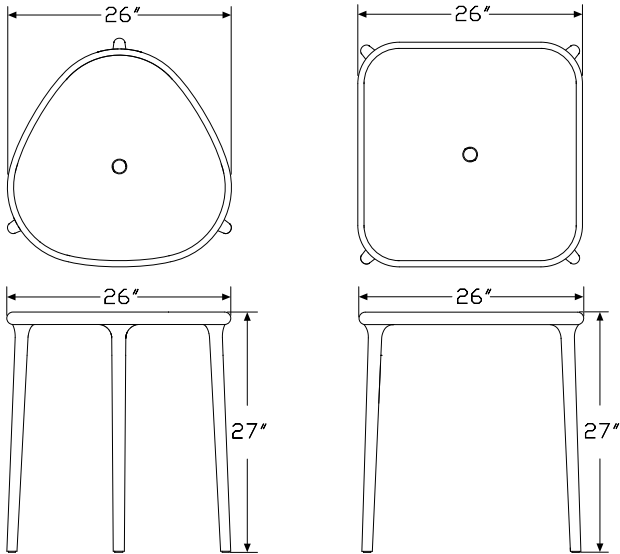
HermanMiller Collection-Tables

**Product Information**

**Description**  
 This stacking and KD table is made from polypropylene with glass fibre added. It is available in a triangle or square shape. Tables can stack up to 5 high.

**Notes**  
 This table is suitable for outdoor use.

**Dimensions**



**Specification Information**

**Step 1.**

**MGA70.** [A]

**Step 2. Shape**

**T** triangular [A]

**S** square [A]

**Prices for Steps 1-2.**

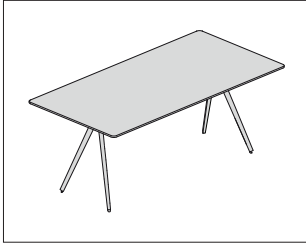
<b>MGA70.T</b>	\$366
<b>S</b>	\$420

**Step 3. Finish**

<b>YBB</b> beige	+ \$0
<b>YBP</b> white	+ \$0

# Baguette Table

MGG70.

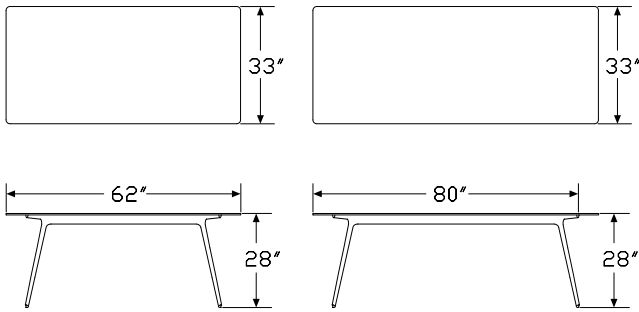


### Product Information

#### Description

The legs of this table are cast aluminum, available polished or painted. The crosspiece is aluminum, also available polished or painted.

#### Dimensions



### Specification Information

#### Step 1.

**MGG70.** [A]

#### Step 2. Size

**3362** 33" x 62" rectangular [A]

**3380** 33" x 80" rectangular [A]

#### Prices for Steps 1-2.

<b>MGG70.3362</b>	\$2108
<b>3380</b>	\$2313

#### Step 3. Frame Finish

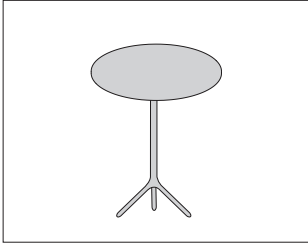
	<b>3362</b>	<b>3380</b>
<b>YCB</b> black [A]	+\$0	0
<b>YCF</b> white [A]	+\$0	0
<b>YCD</b> polished [A]	+\$350	351

#### Step 4. Top Finish

	<b>3362</b>	<b>3380</b>
<b>WNT</b> walnut [A]	+\$1682	2380
<b>YCB</b> black [A]	+\$0	0
<b>YCF</b> white [A]	+\$0	0
<b>YCC</b> extraclear glass [A]	+\$443	513
<b>YCJ</b> magis® ardesia slate [A]	+\$986	1022

Central Table

MGG80.



HermanMiller Collection—Tables

**Product Information**

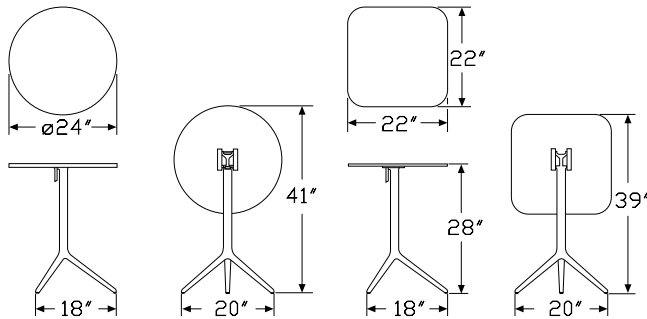
**Description**

This table is available in a round or square shape. The frame is cast aluminum, available polished or painted.

**Notes**

For square table, polished aluminum frame is not available. Black or white finishes only.

**Dimensions**



**Specification Information**

**Step 1.**

**MGG80.**  A

**Step 2. Shape**

**R** round  A

**S** square  A

**Prices for Steps 1-2.**

<b>MGG80.R</b>	\$1006
<b>S</b>	\$1006

**Step 3. Frame/Top Finish**

*For round (R)*

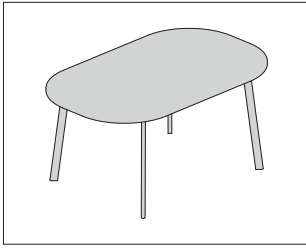
<b>YCB</b> black <input type="checkbox"/> A	+\$0
<b>YCF</b> white <input type="checkbox"/> A	+\$91
<b>YCD</b> polished <input type="checkbox"/> A	+\$493

*For square (S)*

<b>YCB</b> black <input type="checkbox"/> A	+\$0
<b>YCF</b> white <input type="checkbox"/> A	+\$91

# Deja-Vu Table

MGD70.



## Product Information

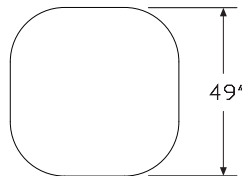
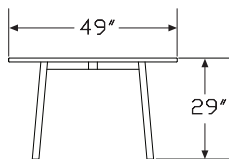
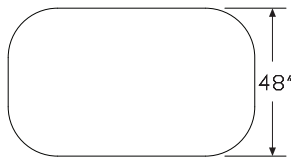
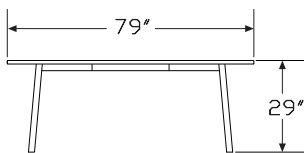
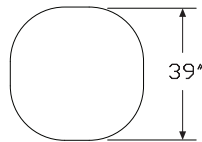
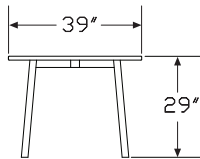
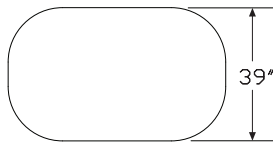
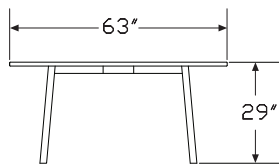
### Description

This table is available in a rounded square or oval shape. Top is high pressure laminate. White top is available with polished aluminum legs.

### Notes

Table thickness is  $\frac{7}{8}$ ".

### Dimensions



## Specification Information

### Step 1.

**MGD70.** [A]

### Step 2. Shape

**R** rounded square [A]

**V** oval [A]

### Step 3. Size

#### For rounded square (R)

**3939** 39" x 39" [A]

**4949** 49" x 49" [A]

#### For oval (V)

**6336** 63" x 39" [A]

**7948** 79" x 48" [A]

### Prices for Steps 1-3.

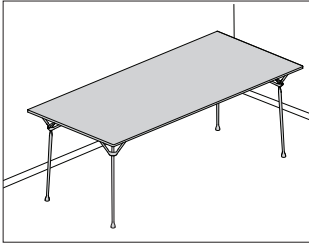
	3939	6336	4949	7948
<b>MGD70.R</b>	\$1227	—	1515	—
<b>V</b>	—	\$1620	—	2000

### Step 4. Finish

**YPL** white top with polished aluminum legs [A] +\$500

# Officina Table

MGQ70.



## Product Information

### Description

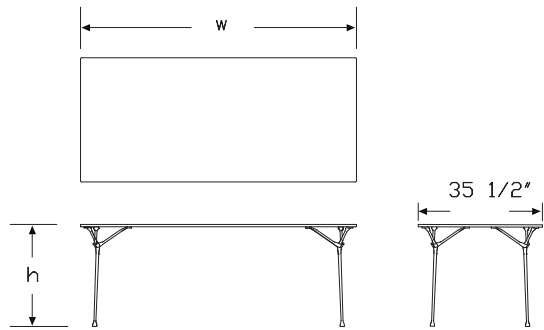
This table has a wrought iron frame that is galvanized or painted black, and comes with a choice of tops. Black top is 0.66" thick steel, electro-galvanized and painted. Walnut and ash tops are 1" thick. Glass top is tempered, 1/2" thick. Rectangular and round tables are 29" high, and square tables are 29 1/2" high.

### Notes

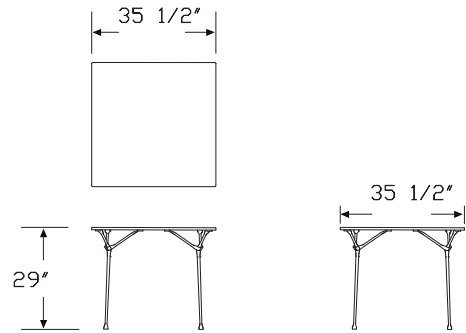
Dimensions are nominal.

HermanMiller Collection—Tables

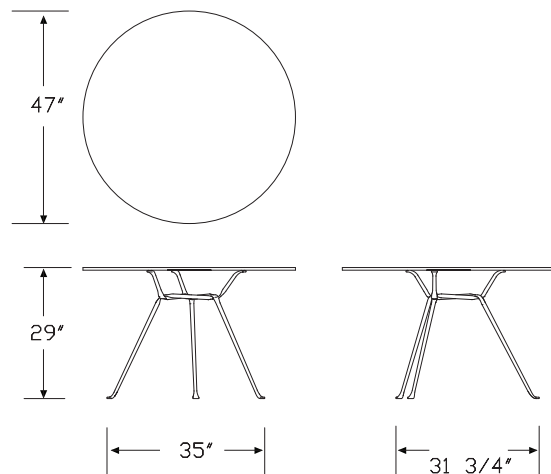
## Dimensions



Rectangular table



Square table



**Specification Information**

Step 1.

**MGQ70.**  A

Step 2. Shape

**R** rectangular  A

**S** square  A

**D** round  A

Step 3. Size

*For rectangular (R)*

**A** 114" x 37.5"  A

**B** 94.5" x 37.5"  A

**C** 79" x 35.5"  A

*For square (S)*

**D** 35.5" x 35.5"  A

*For round (D)*

**E** 47.25" diameter  A

Prices for Steps 1-3.

	A	D	E	B	C
<b>MGQ70.R</b>	\$5790	—	—	4690	4030
<b>S</b>	—	\$2820	—	—	—
<b>D</b>	—	—	\$2440	—	—

Step 4. Frame Finish

*For rectangular (R) or square (S)*

**GLV** galvanized  A +\$0

**YCB** black  A +\$200

*For round (D)*

**YCB** black  A +\$200

Step 5. Top Finish

*For rectangular (R), square (S), 114" x 37.5" (A), 35.5" x 35.5" (D), 94.5" x 37.5" (B) AND 79" x 35.5" (C)*

**YCB** black  A +\$0

*For rectangular (R) with 79" x 35.5" (C) with black (YCB)*

**YCB** black  A +\$0

**WNT** walnut  A +\$1400

**TTA** thermo-treated ash  A +\$970

*For square (S) with 35.5" x 35.5" (D) with black (YCB)*

**YCB** black  A +\$0

**WNT** walnut  A +\$860

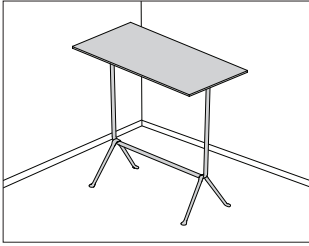
**TTA** thermo-treated ash  A +\$650

*For round (D) with 47.25" diameter (E) with black (YCB)*

**SGG** smoke grey glass  A +\$400

Officina Bistro Table

MGQ70.



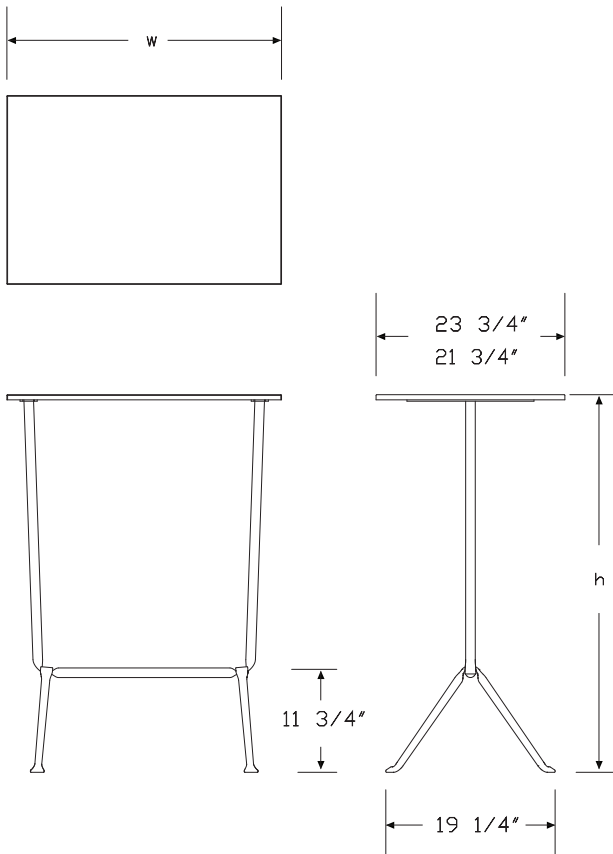
HermanMiller Collection—Tables

**Product Information**

**Description**  
 This bistro table has a wrought iron frame that is galvanized or painted black, and comes with a choice of tops. Black top is 0.66" thick steel, electro-galvanized and painted. Walnut and ash tops are 1" thick. Available in 2 heights: 29½" high or 43½" high.

**Notes**  
 Dimensions are nominal.

**Dimensions**



**Specification Information**

**Step 1.**

**MGQ70.B** [A]

**Step 2. Size**

- A** 31.5"L x 21.75"W x 29.5" H [A]
- B** 31.5"L x 21.75"W x 43.5" H [A]
- C** 47.25"L x 23.75"W x 29.5" H [A]
- D** 47.25"L x 23.75"W x 43.5" H [A]

**Prices for Steps 1-2.**

<b>MGQ70.B A</b>	\$1860
<b>B</b>	\$2085
<b>C</b>	\$2020
<b>D</b>	\$2200

**Step 3. Frame Finish**

<b>GLV</b> galvanized [A]	+ \$0
<b>YCB</b> black [A]	+ \$150

**Step 4. Top Finish**

*For galvanized (GLV)*

<b>YCB</b> black [A]	+ \$0
----------------------	-------

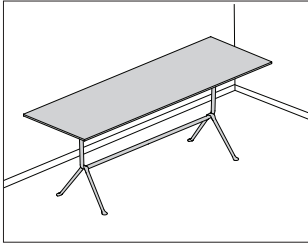
*For black (YCB)*

		A	B	C	D
<b>YCB</b> black [A]		+ \$0	0	0	0
<b>TTA</b> thermo-treated ash [A]		+ \$25	25	275	275
<b>WNT</b> walnut [A]		+ \$125	125	430	430



# Officina Fratino Table

MGQ70.



### Product Information

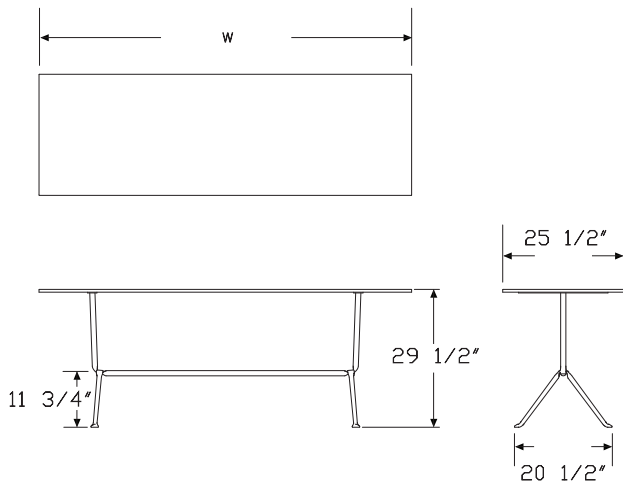
#### Description

This table has a wrought iron frame that is galvanized or painted black, and comes with a choice of tops. Walnut and ash tops are 1" thick. Ardesia slate and Carrara marble tops are 3/4" thick. Table is 29 1/2" high.

#### Notes

Dimensions are nominal.

#### Dimensions



### Specification Information

#### Step 1.

**MGQ70.F** A

#### Step 2. Size

**A** 63"L x 25.5"W x 29.5" H A

**B** 78.75"L x 25.5"W x 29.5" H A

#### Prices for Steps 1-2.

<b>MGQ70.F A</b>	\$2770
<b>B</b>	\$3270

#### Step 3. Frame Finish

<b>GLV</b> galvanized <span style="border: 1px solid black; padding: 0 2px;">A</span>	+\$0
<b>YCB</b> black <span style="border: 1px solid black; padding: 0 2px;">A</span>	+\$150

#### Step 4. Top Finish

##### For galvanized (GLV)

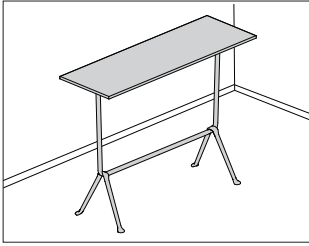
	<b>A</b>	<b>B</b>
<b>YCJ</b> ardesia slate <span style="border: 1px solid black; padding: 0 2px;">A</span>	+\$300	525
<b>CRR</b> Carrara marble <span style="border: 1px solid black; padding: 0 2px;">A</span>	+\$600	740

##### For black (YCB)

	<b>A</b>	<b>B</b>
<b>TTA</b> thermo-treated ash <span style="border: 1px solid black; padding: 0 2px;">A</span>	+\$250	250
<b>YCJ</b> ardesia slate <span style="border: 1px solid black; padding: 0 2px;">A</span>	+\$300	525
<b>WNT</b> walnut <span style="border: 1px solid black; padding: 0 2px;">A</span>	+\$475	625
<b>CRR</b> Carrara marble <span style="border: 1px solid black; padding: 0 2px;">A</span>	+\$600	740

Officina Console Table

MGQ70.



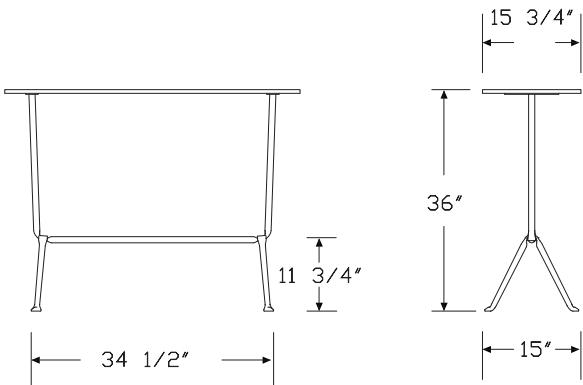
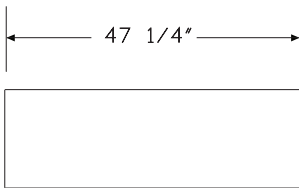
HermanMiller Collection—Tables

**Product Information**

**Description**  
 This table has a wrought iron frame painted black, and comes with a choice of tops. Walnut tops are 1" thick. Ardesia slate tops are 3/4" thick. Table is 36" high.

**Notes**  
 Dimensions are nominal.

**Dimensions**



**Specification Information**

**Step 1.**

**MGQ70.C** A

**Step 2. Size**

**A** 47.25"L x 15.75"W x 36" H A

**Prices for Steps 1-2.**

**MGQ70.C A** \$2025

**Step 3. Frame Finish**

**YCB** black A +\$150

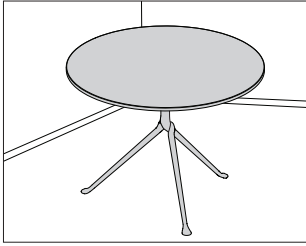
**Step 4. Top Finish**

**YCJ** ardesia slate A +\$625

**WNT** walnut A +\$250

# Officina Pedestal Table

MGQ70.



### Product Information

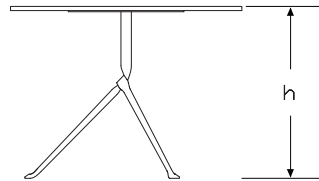
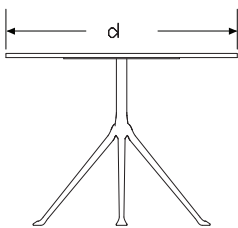
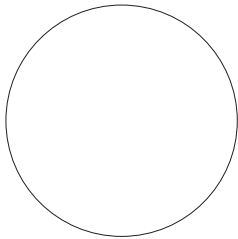
#### Description

This pedestal table has a wrought iron frame that is galvanized or painted black, and comes with a choice of tops. Black top is 0.66" thick steel, electro-galvanized and painted. Walnut and ash tops are 1" thick. Ardesia slate and Carrara marble tops are 3/4" thick. Available in 2 heights: 29 1/2" high or 22" high.

#### Notes

Dimensions are nominal.

#### Dimensions



### Specification Information

#### Step 1.

**MGQ70.** [A]

#### Step 2. Base

**P** pedestal [A]

#### Step 3. Size

- A** 39.5" D x 29.5" H [A]
- B** 31.5" D x 29.5" H [A]
- C** 21.75" D x 29.5" H [A]
- D** 16.5" D x 22" H [A]

#### Prices for Steps 1-3.

	A	B	C	D
<b>MGQ70.P</b>	\$2475	2169	1230	1185

#### Step 4. Frame Finish

- GLV** galvanized [A] +\$0
- YCB** black [A] +\$75

#### Step 5. Top Finish

##### For 39.5" D x 29.5" H (A) with galvanized (GLV)

- YCB** black [A] +\$0
- YCJ** ardesia slate [A] +\$500
- CRR** Carrara marble [A] +\$1050

##### For 31.5" D x 29.5" H (B) with galvanized (GLV)

- YCB** black [A] +\$0
- YCJ** ardesia slate [A] +\$400
- CRR** Carrara marble [A] +\$600

##### For 21.75" D x 29.5" H (C) or 16.5" D x 22" H (D) with galvanized (GLV)

- YBC** black [A] +\$0

##### For 39.5" D x 29.5" H (A) with black (YCB)

- YCB** black [A] +\$0
- TTA** thermo-treated ash [A] +\$300
- YCJ** ardesia slate [A] +\$500
- WNT** walnut [A] +\$530
- CRR** Carrara marble [A] +\$1050

##### For 31.5" D x 29.5" H (B) with black (YCB)

- YCB** black [A] +\$0
- TTA** thermo-treated ash [A] +\$75
- WNT** walnut [A] +\$150

Officina Pedestal Table *continued*

HermanMiller Collection—Tables

---

*For 21.75" D x 29.5" H (C) with black (YCB)*

<b>YCB</b>	black <input type="checkbox"/>	+\$0
<b>TTA</b>	thermo-treated ash <input type="checkbox"/>	+\$50
<b>WNT</b>	walnut <input type="checkbox"/>	+\$100

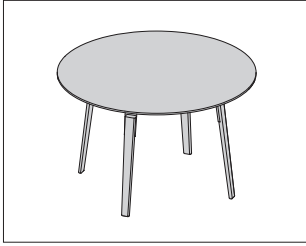
---

*For 16.5" D x 22" H (D) with black (YCB)*

<b>YCB</b>	black <input type="checkbox"/>	+\$0
<b>TTA</b>	thermo-treated ash <input type="checkbox"/>	+\$0
<b>WNT</b>	walnut <input type="checkbox"/>	+\$0

# Steelwood Table

MGS70.



### Product Information

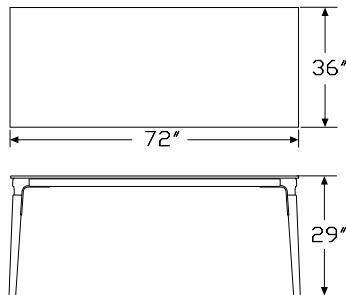
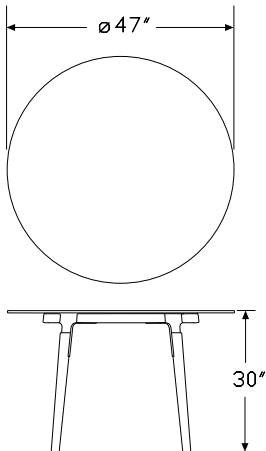
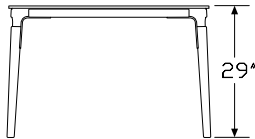
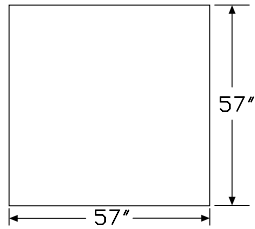
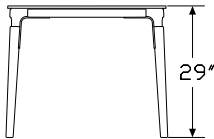
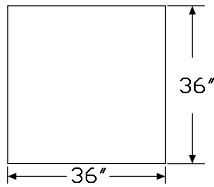
#### Description

This table comes in a square, round, or rectangular shape. The frame is solid beech, available in natural or painted. The top is high pressure laminate. The steel plate joints are painted in epoxy resin.

#### Notes

Table thickness is  $\frac{7}{8}$ ".

#### Dimensions



### Specification Information

#### Step 1.

**MGS70.**  A

#### Step 2. Shape

**S3636** square, 36" x 36"  A

**S5757** square, 57" x 57"  A

**R** round  A

**T** rectangular  A

#### Prices for Steps 1-2.

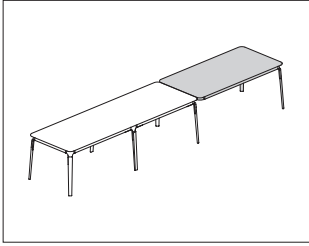
<b>MGS70.S3636</b>	\$1544
<b>S5757</b>	\$2394
<b>R</b>	\$1918
<b>T</b>	\$2147

#### Step 3. Frame/Top Finish

		<b>S3636</b>	<b>S5757</b>	<b>R</b>	<b>T</b>
<b>YMH</b>	black <input type="checkbox"/> A	+\$0	0	0	0
<b>YMJ</b>	white <input type="checkbox"/> A	+\$513	711	1225	1001
<b>YMG</b>	natural beech frame/white top <input type="checkbox"/> A	+\$513	711	1225	1001

# Steelwood Table System

MGS72.



HermanMiller Collection—Tables

## Product Information

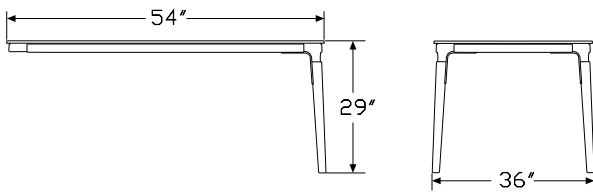
### Description

This table system extension is an intermediate module that attaches to the table system basic module. It comes with a solid beech frame, available in natural or painted. The top is high pressure laminate. Steel plate joints are painted in epoxy resin.

### Notes

Order Magis Steelwood table system (MGS71.) basic module separately.

## Dimensions



## Specification Information

### Step 1.

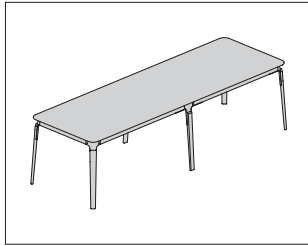
**MGS72.** [A] \$1514

### Step 2. Frame/Top Finish

<b>YMH</b>	black [A]	+\$0
<b>YMJ</b>	white [A]	+\$767
<b>YMG</b>	natural beech frame/white top [A]	+\$767

# Steelwood Extending Table

MGS71.



### Product Information

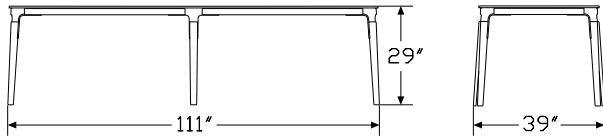
#### Description

This table system is a basic module with a solid beech frame, available in natural or painted. The top is high pressure laminate. Steel plate joints are painted in epoxy resin.

#### Notes

To extend the table system, order Magis Steelwood table system extension (MGS72.) separately.

### Dimensions



### Specification Information

#### Step 1.

**MGS71.**  A \$3202

#### Step 2. Frame/Top Finish

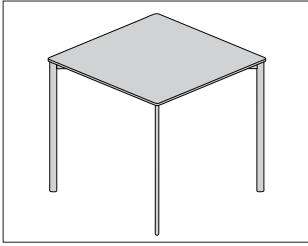
**YMH** black  A +\$0

**YMJ** white  A +\$1468

**YMG** natural beech frame/white top  A +\$1468

# Striped Tavolo

MGW70.

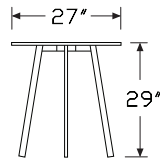
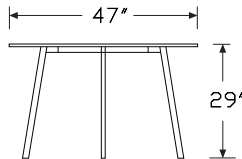
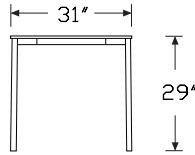
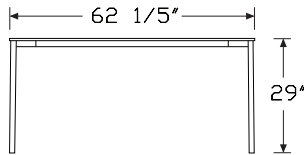


HermanMiller Collection-Tables

### Product Information

**Description**  
 This table has a steel tube frame, cathodically treated and painted in polyester powder. Top is 1/2" thick and finished in high-pressure laminate. It comes in 5 styles. Suitable for outdoor use.

### Dimensions



### Specification Information

#### Step 1.

**MGW70.**

#### Step 2. Size

- LRE** large rectangular table
- SRE** large square table
- LRO** large round table
- SRO** small round table

#### Prices for Steps 1-2.

<b>MGW70.LRE</b>	\$1442
<b>SRE</b>	\$1051
<b>LRO</b>	\$1854
<b>SRO</b>	\$1030

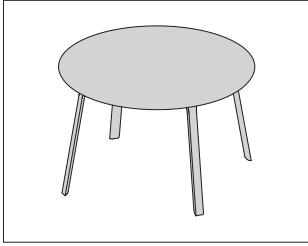
#### Step 3. Top/Base Finish

<b>YMJ</b> white <input type="checkbox"/>	+\$650
<b>YMH</b> black <input type="checkbox"/>	+\$0
<b>YMQ</b> white top with white base with black edge <input type="checkbox"/>	+\$0



Table First

MGF70.



**Product Information**

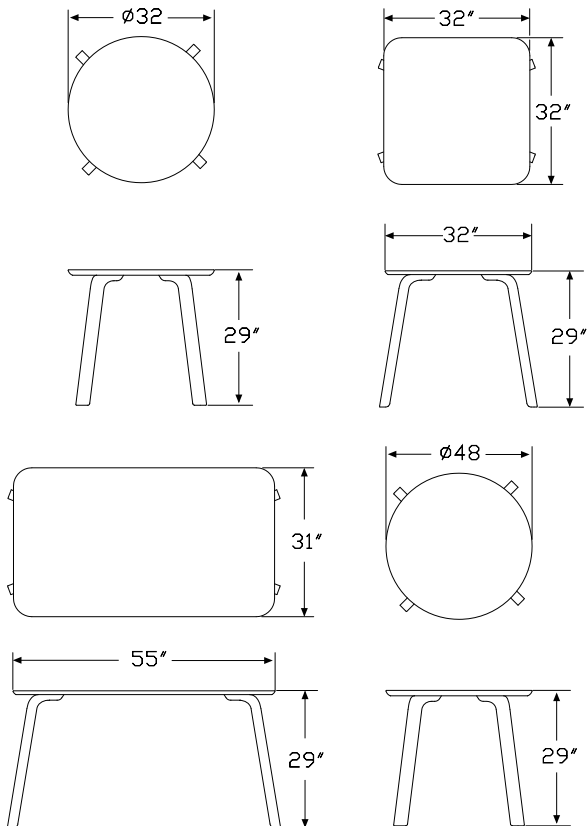
**Description**

The shape of this table is available in round, square, or rectangular. The table top is painted medium-density fiberboard. Legs are made from polypropylene with glass fibre added.

**Notes**

Top thickness is 1 1/8".

**Dimensions**



**Specification Information**

**Step 1.**

**MGF70.**  A

**Step 2. Size/Shape**

**3200** 32" round  A

**3232** 32" x 32" square  A

**3155** 31" x 55" rectangular  A

**4800** 48" round  A

**Prices for Steps 1-2.**

<b>MGF70.3200</b>	\$827
<b>3232</b>	\$944
<b>3155</b>	\$1184
<b>4800</b>	\$1339

**Step 3. Leg Finish**

<b>YGC</b> black <input type="checkbox"/> A	+ \$0
<b>YGM</b> white <input type="checkbox"/> A	+ \$0

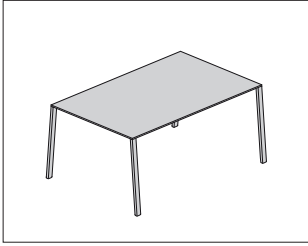
**Step 4. Top Finish**

*For black (YGC)*

<b>YGC</b> black <input type="checkbox"/> A	+ \$0
---	-------

*For white (YGM)*

<b>YGM</b> white <input type="checkbox"/> A	+ \$0
---	-------



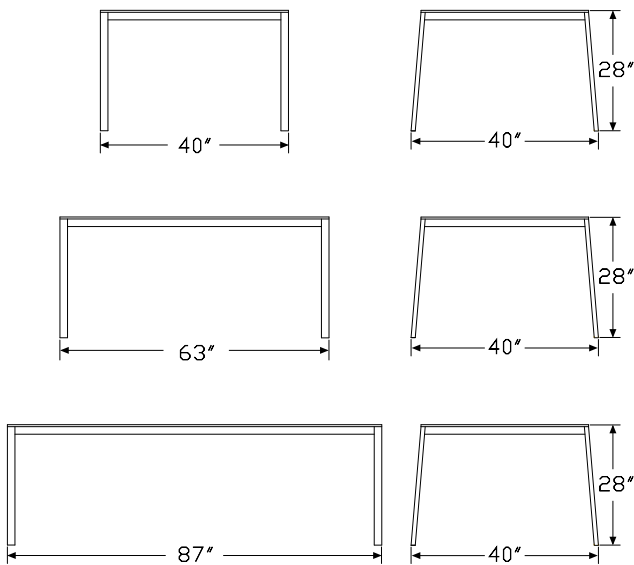
**Product Information**

**Description**  
 The frame of this table is an anodised aluminum tube. Joints are die-cast aluminum, available polished or painted. The top is high pressure laminate and comes in black or white. The base finish is available in polished aluminum and black.

**Notes**

Table thickness is 1/2".

**Dimensions**



**Specification Information**

**Step 1.**

**MGE70.** [A]

**Step 2. Size**

- 4040** 40" x 40" [A]
- 6340** 63" x 40" [A]
- 8740** 87" x 40" [A]

**Prices for Steps 1-2.**

<b>MGE70.4040</b>	\$1839
<b>6340</b>	\$2155
<b>8740</b>	\$2798

**Step 3. Base Finish**

- YHQ** polished aluminum [A] +\$0
- YHB** black [A] +\$0

**Step 4. Top Finish**

- For 40" x 40" (4040) with polished aluminum (YHQ)*
- YHB** black [A] +\$0
  - YHP** white [A] +\$397

**Step 5. Top Finish**

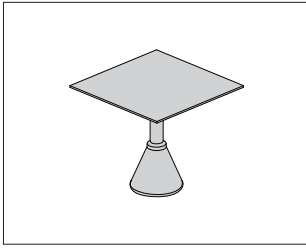
- For 63" x 40" (6340) with polished aluminum (YHQ)*
- YHB** black [A] +\$0
  - YHP** white [A] +\$554

**Step 6. Top Finish**

- For 87" x 40" (8740) with polished aluminum (YHQ)*
- YHB** black [A] +\$0
  - YHP** white [A] +\$1413

**Step 7. Top Finish**

- For black (YHB)*
- YHB** black [A] +\$0



**Product Information**

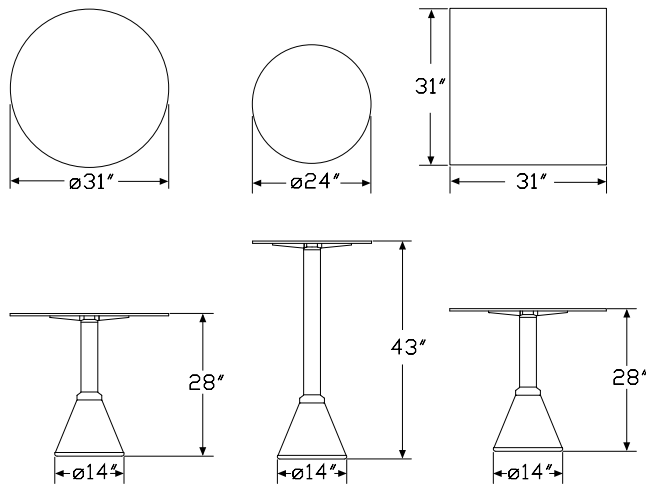
**Description**

The shape of this table is available in round or square with a concrete base. The frame is an anodised aluminum tube. The top is high pressure laminate. Finishes for the top and base are available in polished aluminum and black.

**Notes**

Table thickness is 1/2".

**Dimensions**



**Specification Information**

**Step 1.**

**MGE80.** [A]

**Step 2. Shape and Height**

**R28** round 28" high [A]

**R43** round 43" high [A]

**S28** square 28" high [A]

**Prices for Steps 1-2.**

<b>MGE80.R28</b>	\$1240
<b>R43</b>	\$1130
<b>S28</b>	\$1191

**Step 3. Base Finish**

**YHQ** polished aluminum [A] +\$0

**YHB** black [A] +\$0

**Step 4. Top Finish**

*For polished aluminum (YHQ)*

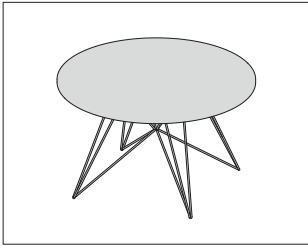
		<b>R28</b>	<b>R43</b>	<b>S28</b>
<b>YHV</b>	white with black edge [A]	+\$0	0	0
<b>YHP</b>	white [A]	+\$199	117	223

*For black (YHB)*

		<b>R28</b>	<b>R43</b>	<b>S28</b>
<b>YHB</b>	black [A]	+\$0	11	0

Tavolo XZ3 Table

MGT70.

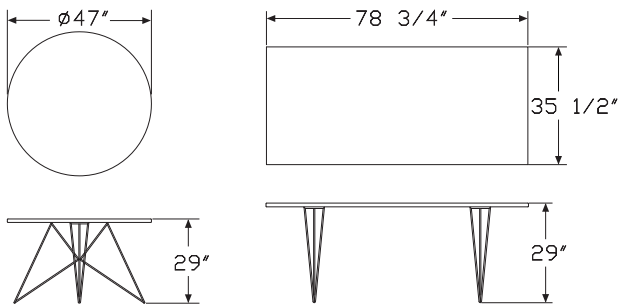


HermanMiller Collection—Tables

**Product Information**

**Description**  
 This table is available in a round or rectangular shape with top in Carrara marble or 1 1/8" thick painted MDF. The steel rod leg finish comes in chrome, painted white or black, or coated gold or copper.

**Dimensions**



**Specification Information**

**Step 1.**

**MGT70.**

**Step 2. Shape**

**R** round

**T** rectangular

**Prices for Steps 1-2.**

<b>MGT70.R</b>	\$1083
<b>T</b>	\$1111

**Step 3. Top Finish**

*For round (R)*

<b>WNT</b> walnut <input type="checkbox"/>	+\$1847
<b>YPC</b> white <input type="checkbox"/>	+\$0
<b>YPD</b> black <input type="checkbox"/>	+\$0
<b>CRR</b> Carrara marble <input type="checkbox"/>	+\$2837

*For rectangular (T)*

<b>YPC</b> white <input type="checkbox"/>	+\$0
<b>YPD</b> black <input type="checkbox"/>	+\$0

**Step 4. Leg Finish**

*For rectangular (T)*

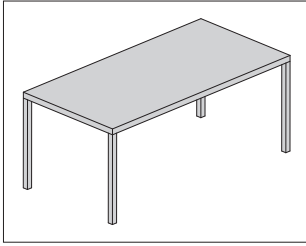
<b>YPB</b> chrome <input type="checkbox"/>	+\$0
<b>YPC</b> white <input type="checkbox"/>	+\$0
<b>YPD</b> black <input type="checkbox"/>	+\$0

*For round (R)*

<b>YPB</b> chrome <input type="checkbox"/>	+\$0
<b>YPC</b> white <input type="checkbox"/>	+\$0
<b>YPD</b> black <input type="checkbox"/>	+\$0
<b>YDJ</b> gold <input type="checkbox"/>	+\$150
<b>YDH</b> copper <input type="checkbox"/>	+\$150

Primo Table

MC14T.

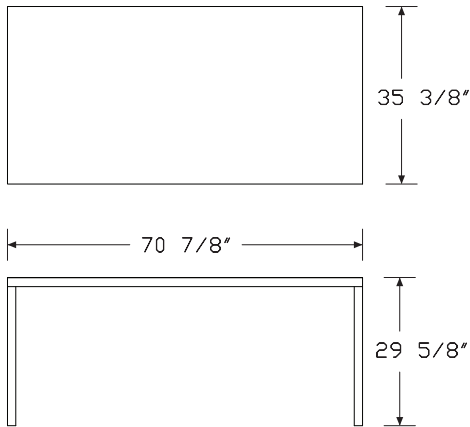


**Product Information**

Description

This table has a solid wood frame with a choice of veneer or FENIX NTM® top.

Dimensions



**Specification Information**

Step 1.

**MC14T.** A

Step 2. Size

**3571** 35"W x 71"L A

Prices for Steps 1-2.

**MC14T. 3571** \$4040

Step 3. Frame/Top Finish

<b>YCK</b>	beech frame, beech veneer top <span style="border: 1px solid black; padding: 0 2px;">A</span>	+\$0
<b>YOO</b>	oak frame, oak veneer top <span style="border: 1px solid black; padding: 0 2px;">A</span>	+\$400
<b>YCS</b>	beech frame, FENIX NTM® top <span style="border: 1px solid black; padding: 0 2px;">A</span>	+\$800
<b>YOF</b>	oak frame, FENIX NTM® top <span style="border: 1px solid black; padding: 0 2px;">A</span>	+\$1060

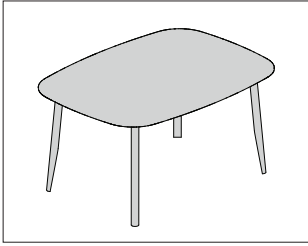
Step 4. Fenix NTM® Top Finish

*For beech frame, FENIX NTM® top (YCS) or oak frame, FENIX NTM® top (YOF)*

<b>YBA</b>	castoro ottawa <span style="border: 1px solid black; padding: 0 2px;">A</span>	+\$0
<b>YBE</b>	grigio Londra <span style="border: 1px solid black; padding: 0 2px;">A</span>	+\$0
<b>YCA</b>	grigio bromo <span style="border: 1px solid black; padding: 0 2px;">A</span>	+\$0
<b>YCE</b>	nero ingo <span style="border: 1px solid black; padding: 0 2px;">A</span>	+\$0

Branca Table

MGR70.

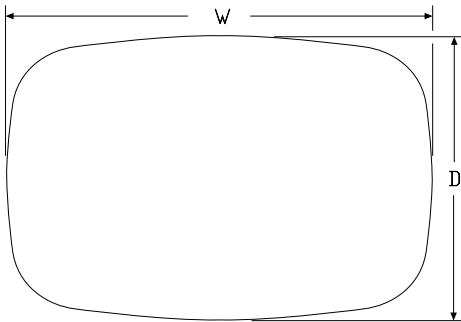


HermanMiller Collection—Tables

**Product Information**

**Description**  
 The top of this table is available in natural ash wood, or medium-density fiberboard with an anti scratch white finish. The base is made of solid ash.

**Dimensions**



**Specification Information**

**Step 1.**

**MGR70.**  A

**Step 2. Size**

**4359** 43" x 59"  A

**4371** 43" x 71"  A

**Prices for Steps 1-2.**

<b>MGR70.4359</b>	\$2962
<b>4371</b>	\$3246

**Step 3. Frame Finish**

**YRF** natural wax ash  A + \$0

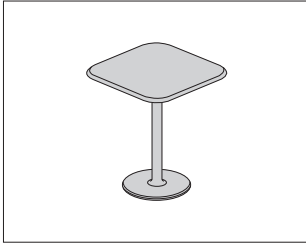
**Step 4. Top Finish**

<i>For 43" x 59" (4359) with natural wax ash (YRF)</i>	
<b>YRJ</b> mdf white lacquered <input type="checkbox"/> A	+ \$0
<b>YQC</b> natural ash <input type="checkbox"/> A	+ \$300

<i>For 43" x 71" (4371) with natural wax ash (YRF)</i>	
<b>YRJ</b> mdf white lacquered <input type="checkbox"/> A	+ \$0

# Solo Table

MGZ70.

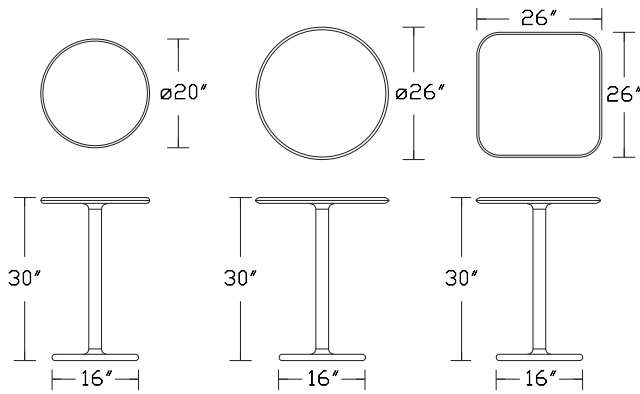


### Product Information

#### Description

This table is made of natural ash or oak. Available in 3 sizes with several color options in ash wood.

#### Dimensions



### Specification Information

#### Step 1.

**MGZ70.** [A]

#### Step 2. Size

**2030** 20" diameter x 30" high [A]

**2630** 26" diameter x 30" high [A]

**2844** 26" wide x 26" long x 30" high [A]

#### Prices for Steps 1-2.

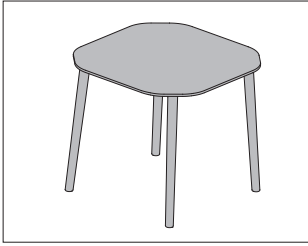
<b>MGZ70.2030</b>	\$1520
<b>2630</b>	\$1623
<b>2844</b>	\$1623

#### Step 3. Finish

<b>ZQ1</b>	dark red anilin ash [A]	+\$0
<b>ZQ2</b>	natural ash [A]	+\$0
<b>ZQ3</b>	anilin ash blue/black [A]	+\$0
<b>ZQ4</b>	anilin ash white [A]	+\$0
<b>ZQ5</b>	anilin ash neon blue [A]	+\$0
<b>ZQ6</b>	anilin ash turquoise [A]	+\$0
<b>ZQ7</b>	natural oak waxed [A]	+\$325

Tronco Table

MGK70.



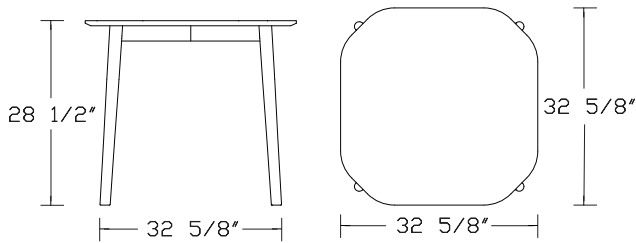
HermanMiller Collection—Tables

**Product Information**

**Description**

This wood table has a top constructed of solid wood strips and chamfered at the edges to mimic the silhouette of the Tronco chair. Table is available in a variety of finishes.

**Dimensions**



**Specification Information**

**Step 1.**

**MGK70.** [A] \$1479

**Step 2. Frame**

**YSA** ash [A] +\$0

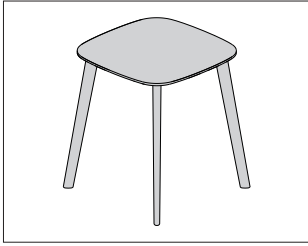
**Step 3. Finish**

- CNS** chestnut stained [A] +\$0
- WNS** walnut stained [A] +\$0
- YBC** black [A] +\$0
- YBP** white [A] +\$0
- YNL** natural [A] +\$0
- YRL** red [A] +\$0



Osso Table

MGJ70.

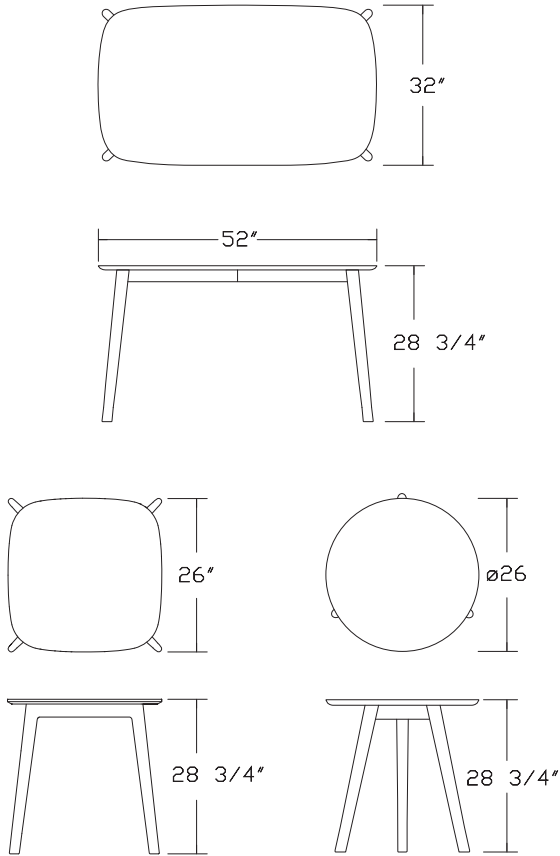


**Product Information**

**Description**

This is made of natural ash or oak. Available with several color options in ash wood.

**Dimensions**



**Specification Information**

**Step 1.**

**MGJ70.** [A]

**Step 2. Size**

- 2600** 26" diameter [A]
- 2626** 26" wide x 26" long [A]
- 3252** 32" wide x 52" long [A]

**Prices for Steps 1-2.**

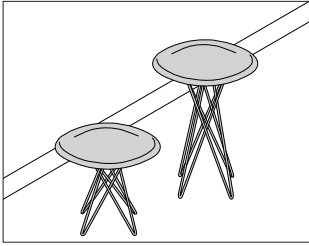
<b>MGJ70. 2600</b>	\$1329
<b>2626</b>	\$1638
<b>3252</b>	\$2339

**Step 3. Finish**

<b>YSB</b> black wax ash [A]	+\$0
<b>YSC</b> blue wax ash [A]	+\$0
<b>YSD</b> green wax ash [A]	+\$0
<b>YSF</b> dark grey wax ash [A]	+\$0
<b>YSG</b> natural wax ash [A]	+\$0
<b>YSH</b> pink wax ash [A]	+\$0
<b>YSJ</b> white wax ash [A]	+\$0
<b>YSL</b> natural wax oak [A]	+\$390

Pizza Table

MGG90.

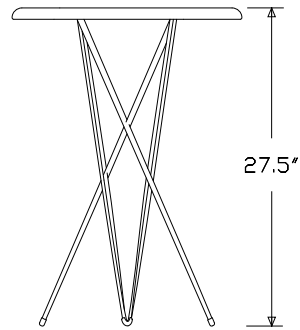
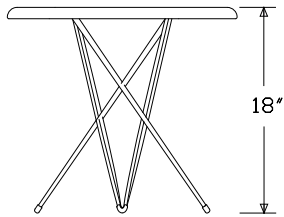
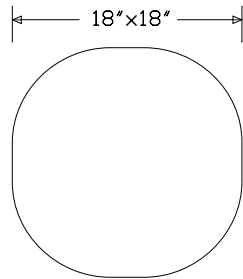


HermanMiller Collection—Tables

**Product Information**

**Description**  
 This table comes in low and high heights. The frame is painted steel rod, and the top is standard injection molded glossy ABS.

**Dimensions**



**Specification Information**

**Step 1.**

**MGG90.**

**Step 2. Height**

**L** low

**H** high

**Prices for Steps 1-2.**

<b>MGG90.L</b>	\$318
<b>H</b>	\$353

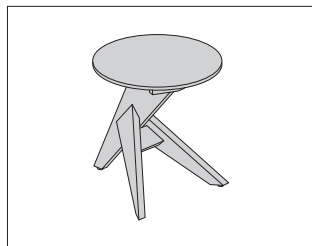
**Step 3. Finish**

**YCR** glossy brown  +\$0

**YCN** glossy white  +\$0

# Medici Table

MGV70.

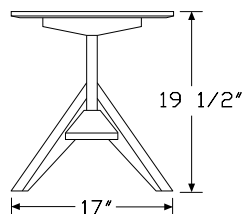
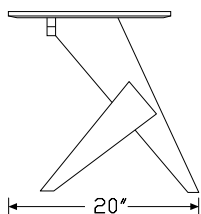


### Product Information

#### Description

This solid wood table is available in ash, walnut and Douglas fir.

#### Dimensions



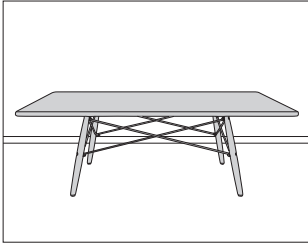
### Specification Information

#### Step 1.

**MGV70.** [A] \$1040

#### Step 2. Frame Finish

<b>ZQF</b>	yellow anilin ash [A]	+\$0
<b>ZQH</b>	douglas fir natural waxed [A]	+\$0
<b>ZQJ</b>	grey anilin ash [A]	+\$0
<b>ZPA</b>	red anilin ash [A]	+\$0
<b>ZPB</b>	black anilin ash [A]	+\$0
<b>ZQG</b>	natural walnut waxed [A]	+\$225



**Product Information**

**Description**

This 15"-high table has a 5/8"-thick veneer surface or a stone top. The dowel base has powder-coated or chrome wire and non-adjustable nylon glides. Ships fully assembled except when specifying stone top.

**Notes**

Stone top actual thickness is 5/8". Illustration dimension is nominal.

Ebony (EN) and walnut (OU) dowel legs are stained ash wood with black glides.

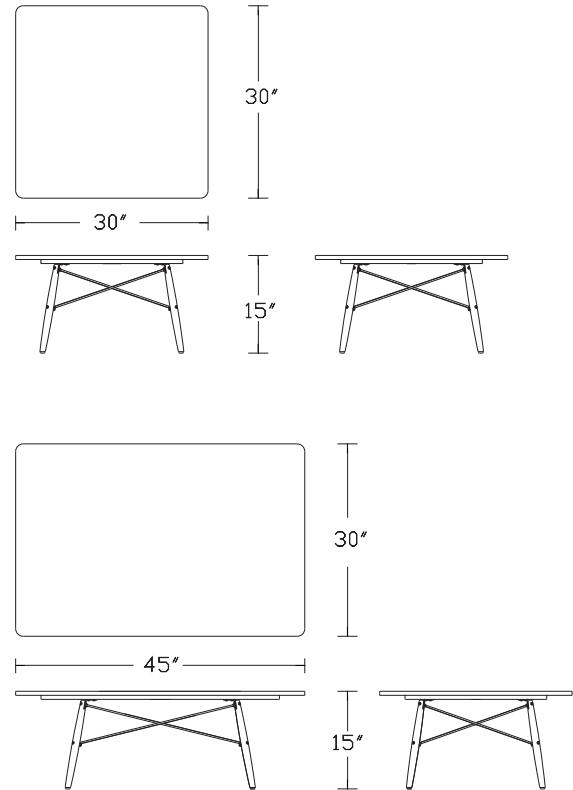
Natural maple (UL) and white ash (A2) dowel legs have white glides.

Natural characteristics in stone cause variations in hues, veins, crystals, and distinctive marks. These variations and subtle changes seen as the stone ages are values associated with natural materials. No two tabletops are identically the same; variations in both color and veining are to be expected. Over time the stone may fade in color, staining of the surface may appear, and surface cracks-if not already visible at time of purchase-may appear. Small cracks do not affect the structure of the tabletop.

Santos palisander veneer is celebrated for its unique grain and color variations. Similar products ordered in multiples or dissimilar products ordered separately should be expected to have variation in both grain and color characteristics; no two products will look exactly alike.

HermanMiller Collection—Occasional Tables

**Dimensions**



**Specification Information**

Step 1.

**ECT**  A

Step 2. Size

**3030** 30" x 30"  A

**3045** 30" x 45"  A

Step 3. Top Material

**V** veneer  A

**S** stone  A

Prices for Steps 1-3.

<b>ECT3030 V</b>	\$1040
<b>S</b>	\$2170

<b>ECT3045 V</b>	\$1190
<b>S</b>	\$2840

Step 4. Top Finish

*For veneer (V)*

	<b>3030</b>	<b>3045</b>
<b>A2</b> white ash <input type="checkbox"/> A	+\$30	0
<b>EN</b> ebony <input type="checkbox"/> A	+\$30	0
<b>OU</b> walnut <input type="checkbox"/> A	+\$30	50
<b>9N</b> santos palisander <input type="checkbox"/> A	+\$550	730

*For stone (S)*

<b>CRR</b> Carrara marble <input type="checkbox"/> A	+\$0
--	------

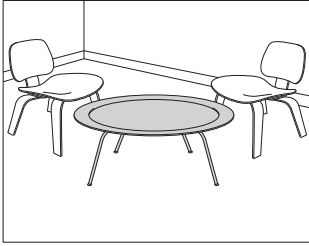
Step 5. Dowel Finish

<b>UL</b> natural maple <input type="checkbox"/> A	+\$0
<b>A2</b> white ash <input type="checkbox"/> A	+\$30
<b>EN</b> ebony <input type="checkbox"/> A	+\$30
<b>OU</b> walnut <input type="checkbox"/> A	+\$30

Step 6. Wire Finish

<b>91</b> white <input type="checkbox"/> A	+\$0
<b>BK</b> black <input type="checkbox"/> A	+\$0
<b>47</b> trivalent chrome <input type="checkbox"/> A	+\$20

Eames® Molded Plywood Coffee Table Metal Base CTM.



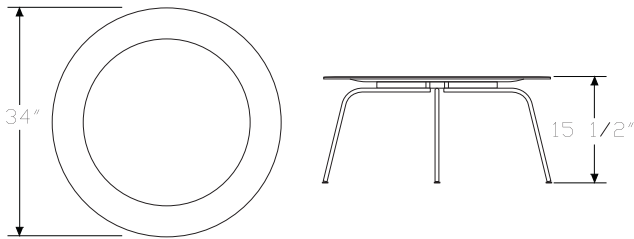
**Product Information**

**Description**  
 This 15½"-high molded plywood table has natural face veneers and hardwood inner plies. It has a 5-ply, 34"-diameter top and a 4-leg metal base with self-leveling nylon glides. Shipped knocked down.

**Notes**

Ebony (EN) option is stain on ash veneer; inner plies are not as visible.  
 Black (BK) base finish has black glides. Trivalent chrome (47) base finish has white glides.

**Dimensions**

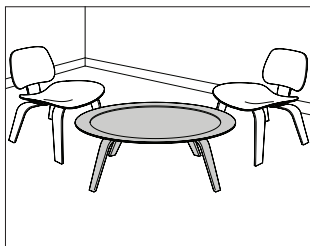


**Specification Information**

<b>Step 1.</b>		
<b>CTM.</b>	<input type="checkbox"/>	\$1086
<b>Step 2. Top Finish</b>		
<b>OU</b>	walnut <input type="checkbox"/>	+\$0
<b>EN</b>	ebony <input type="checkbox"/>	+\$50
<b>A2</b>	white ash <input type="checkbox"/>	+\$50
<b>Step 3. Base Finish</b>		
<b>BK</b>	black <input type="checkbox"/>	+\$0
<b>47</b>	trivalent chrome <input type="checkbox"/>	+\$20

Eames® Molded Plywood Coffee  
Table Wood Base

CTW.



**Product Information**

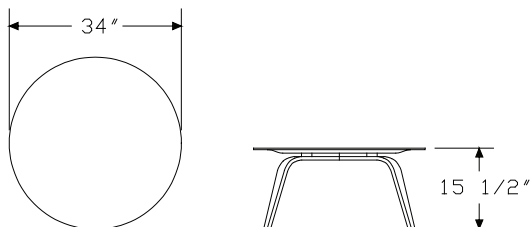
**Description**

This 15 1/2"-high molded plywood table has natural face veneers and hardwood inner plies. It has a 5-ply, 34"-diameter top and an 8-ply 4-leg base. Shipped knocked down.

**Notes**

Ebony (EN) option is stain on ash veneer; inner plies are not as visible.

**Dimensions**



**Specification Information**

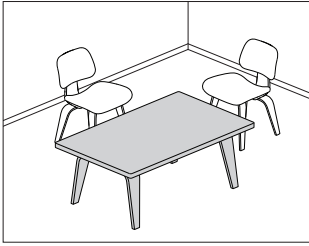
**Step 1.**

**CTW.**  A \$1224

**Step 2. Finish**

**EN** ebony  A +\$115  
**OU** walnut  A +\$0  
**A2** white ash  A +\$115

Eames® Rectangular Coffee Table CTW1.



HermanMiller Collection—Occasional Tables

**Product Information**

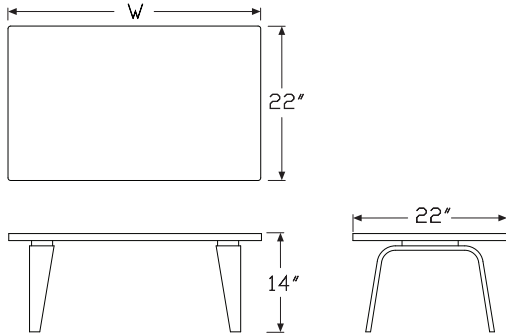
**Description**

This 14"-high table has a laminate top with veneer edge or a veneer top and edge with curved molded plywood veneer legs. Shipped knocked down.

**Notes**

For white (91) laminate top option, veneer edge is walnut (OU).  
 For studio white (98) laminate top option, veneer edge is white ash (A2).  
 For black (BK) laminate top option, veneer edge is walnut (OU).  
 Ebony (EN) option is stain on ash veneer; inner plies are not as visible.

**Dimensions**



**Specification Information**

**Step 1.**

**CTW1.** [A]

**Step 2. Depth/Width**

**2236** 22" deep x 36" wide [A]

**2248** 22" deep x 48" wide [A]

**Step 3. Surface Material**

**L** laminate with veneer edge [A]

**W** veneer with veneer edge [A]

**Prices for Steps 1-3.**

	L	W
<b>CTW1. 2236</b>	\$1007	1071
<b>2248</b>	\$1050	1179

**Step 4. Top Finish**

*For laminate with veneer edge (L)*

**91** white [A] +\$0

**98** studio white [A] +\$0

**BK** black [A] +\$0

*For veneer with veneer edge (W)*

**A2** white ash [A] +\$0

**EN** ebony [A] +\$0

**OU** walnut [A] +\$0

**Step 5. Leg Finish**

*For white (91), black (BK), or walnut (OU)*

**OU** walnut [A] +\$0

*For white ash (A2) or studio white (98)*

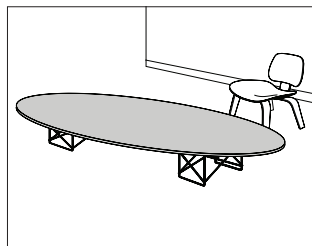
**A2** white ash [A] +\$0

*For ebony (EN)*

**EN** ebony [A] +\$0



Eames® Wire Base Elliptical Table ETRT.

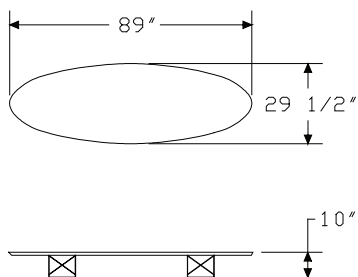


**Product Information**

**Description**

This oval table has a 7/8"-thick laminate top, a 13-ply Baltic birch core and edge, and either a powder-coated or chrome wire base.

**Dimensions**



**Specification Information**

**Step 1.**

**ETRT.** [A] \$950

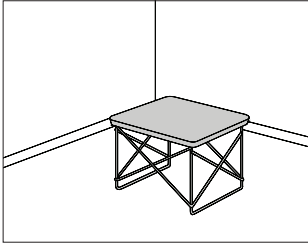
**Step 2. Top Finish**

**91** white +\$0  
**98** studio white +\$0  
**BK** black [A] +\$0

**Step 3. Base Finish**

**47** trivalent chrome +\$0  
**91** white +\$0  
**98** studio white +\$0  
**BK** black [A] +\$0

HermanMiller Collection—Occasional Tables



HermanMiller Collection—Occasional Tables

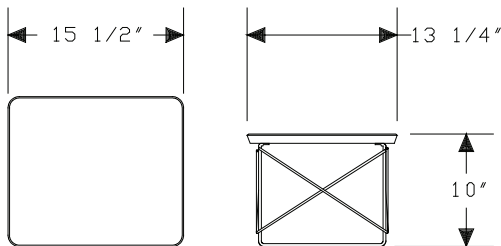
**Product Information**

**Description**  
 This table has a 7/8"-thick laminate or veneer surface with 13-ply Baltic birch core, or 3/4"-thick stone. The base is either powder-coated or chrome wire.

**Notes**

Stone has a honed finish and knife edge similar in profile to the Baltic birch core edge.  
 Natural characteristics in stone cause variations in hues, veins, crystals, and distinctive marks. These variations and subtle changes seen as the stone ages are values associated with natural materials. No two tabletops are identically the same; variations in both color and veining are to be expected. Over time the stone may fade in color, staining of the surface may appear, and surface cracks-if not already visible at time of purchase-may appear. Small cracks do not affect the structure of the tabletop.  
 Santos palisander veneer is celebrated for its unique grain and color variations. Similar products ordered in multiples or dissimilar products ordered separately should be expected to have variation in both grain and color characteristics; no two products will look exactly alike.

**Dimensions**



**Specification Information**

**Step 1.**  
**LTRT.** A \$210

**Step 2. Top Finish**

**Solid-Color Laminate**

<b>91</b>	white	+\$0
<b>98</b>	studio white	+\$0
<b>BK</b>	black <span style="border: 1px solid black; padding: 0 2px;">A</span>	+\$0

**Wood Veneer**

<b>OU</b>	walnut <span style="border: 1px solid black; padding: 0 2px;">A</span>	+\$100
<b>A2</b>	white ash <span style="border: 1px solid black; padding: 0 2px;">A</span>	+\$110
<b>9N</b>	santos palisander <span style="border: 1px solid black; padding: 0 2px;">A</span>	+\$255

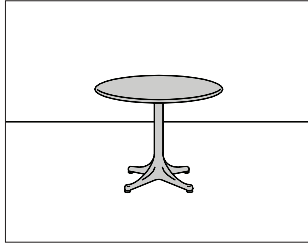
**Stone**

<b>5U</b>	georgia grey marble <span style="border: 1px solid black; padding: 0 2px;">A</span>	+\$1359
<b>HR</b>	wisconsin black marble <span style="border: 1px solid black; padding: 0 2px;">A</span>	+\$1419
<b>CRR</b>	Carrara marble <span style="border: 1px solid black; padding: 0 2px;">A</span>	+\$1289

**Step 3. Base Finish**

<b>91</b>	white	+\$0
<b>98</b>	studio white	+\$0
<b>BK</b>	black <span style="border: 1px solid black; padding: 0 2px;">A</span>	+\$0
<b>47</b>	trivalent chrome	+\$10

# Nelson™ Pedestal Table



- 5451L
- 5451S
- 5451W
- 5452L
- 5452S
- 5452W
- 5453L
- 5453S
- 5453W
- 5454L
- 5454S
- 5454W
- 5455L
- 5455S
- 5455W

## Product Information

### Description

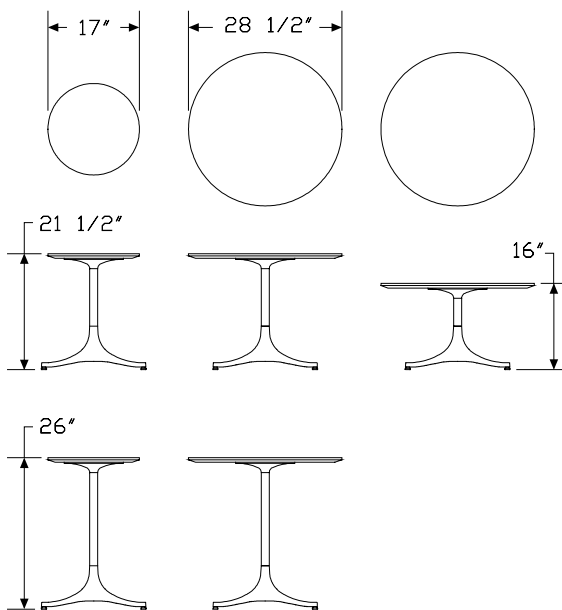
This round table has either a 7/8"-thick laminate top with a veneer edge, a veneer top and edge, or a 3/4"-thick stone top with a honed finish. Each top has a knife profile edge. Base is aluminum with adjustable glides.

### Notes

Natural characteristics in stone cause variations in hues, veins, crystals, and distinctive marks. These variations and subtle changes seen as the stone ages are values associated with natural materials. No two tabletops are identically the same; variations in both color and veining are to be expected. Over time the stone may fade in color, staining of the surface may appear, and surface cracks-if not already visible at time of purchase-may appear. Small cracks do not affect the structure of the tabletop.

Santos palisander veneer is celebrated for its unique grain and color variations. Similar products ordered in multiples or dissimilar products ordered separately should be expected to have variation in both grain and color characteristics; no two products will look exactly alike.

## Dimensions



## Specification Information

### Step 1.

545 [A]

### Step 2. Height/Diameter

- 1 21 1/2" high x 17" diameter [A]
- 5 26" high x 17" diameter [A]
- 2 16" high x 28 1/2" diameter [A]
- 3 21 1/2" high x 28 1/2" diameter [A]
- 4 26" high x 28 1/2" diameter [A]

### Step 3. Surface Material

- L laminate top [A]
- W veneer top [A]
- S stone top [A]

### Prices for Steps 1-3.

5451L	\$781
5451W	\$903
5451S	\$2178
5455L	\$781
5455W	\$903
5455S	\$2178
5452L	\$934
5452W	\$1148
5452S	\$3474
5453L	\$934
5453W	\$1148
5453S	\$3474
5454L	\$934
5454W	\$1148
5454S	\$3474

### Step 4. Base Finish

91 white [A]	+\$0
98 studio white [A]	+\$0
BK black [A]	+\$0
L polished aluminum [A]	+\$0

### Step 5. Top Finish

#### For laminate top (L)

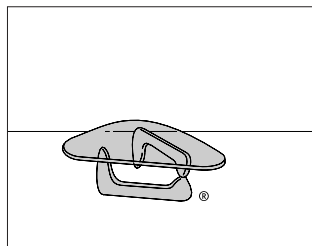
91 white [A]	+\$0
98 studio white [A]	+\$0
BK black [A]	+\$0

Nelson™ Pedestal Table *continued*

		1	5	2	3	4
<i>For veneer top (W)</i>						
<b>OU</b>	walnut <span style="border: 1px solid black; padding: 0 2px;">A</span>	+\$0	0	0	0	0
<b>A2</b>	white ash <span style="border: 1px solid black; padding: 0 2px;">A</span>	+\$65	65	95	95	95
<b>9N</b>	santos palisander <span style="border: 1px solid black; padding: 0 2px;">A</span>	+\$215	215	361	361	361
<b>EN</b>	ebony stain on white ash <span style="border: 1px solid black; padding: 0 2px;">A</span>	+\$65	65	95	95	95

		1	5	2	3	4
<i>For stone top (S)</i>						
<b>5U</b>	georgia grey marble <span style="border: 1px solid black; padding: 0 2px;">A</span>	+\$225	225	360	360	360
<b>HR</b>	wisconsin black marble <span style="border: 1px solid black; padding: 0 2px;">A</span>	+\$631	631	1022	1022	1022
<b>CRR</b>	Carrara marble <span style="border: 1px solid black; padding: 0 2px;">A</span>	+\$100	100	285	285	285

Step 6. Edge Band Detail						
<i>For laminate top (L)</i>						
<b>A2</b>	white ash <span style="border: 1px solid black; padding: 0 2px;">A</span>					+\$50
<b>9N</b>	santos palisander <span style="border: 1px solid black; padding: 0 2px;">A</span>					+\$100
<b>OU</b>	walnut <span style="border: 1px solid black; padding: 0 2px;">A</span>					+\$25
<b>UL</b>	natural maple <span style="border: 1px solid black; padding: 0 2px;">A</span>					+\$0

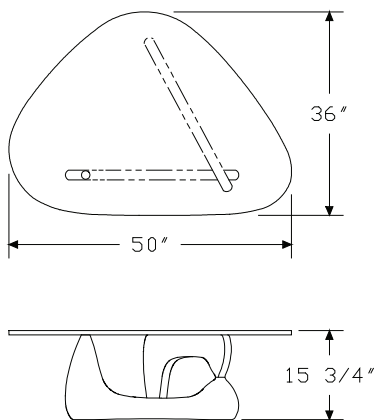


**Product Information**

**Description**

This table has a 3/4"-thick plate-glass top and a 2-piece wood base. Isamu Noguchi's signature appears on the edge of the glass top. An oval medallion with his signature and the Herman Miller logo is attached to the underside of the base. A certificate of authenticity is included with each table. Shipped knocked down.

**Dimensions**



**Specification Information**

**Step 1.**

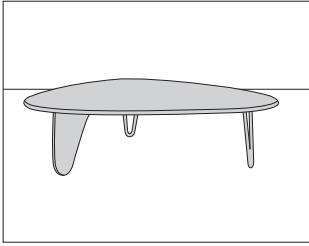
**IN50** [A] \$1980

**Step 2. Base Finish**

**E3** noguchi black [A] +\$0  
**OU** walnut [A] +\$0  
**A2** white ash [A] +\$95

# Noguchi® Rudder Table

IN52



## Product Information

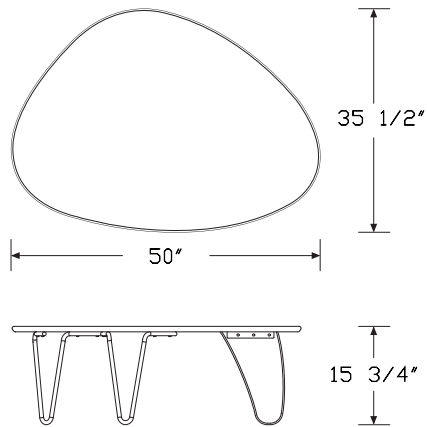
### Description

This table has a 7/8"-thick top made from a Baltic birch core with veneer surface and beveled edge. Rudder leg is solid wood with veneer surface; hairpin legs are metal. Shipped knocked down.

### Notes

Base finish only refers to the metal hairpin leg portion; rudder leg will follow the same species as the top finish.

### Dimensions



## Specification Information

### Step 1.

**IN52**  A \$1503

### Step 2. Top Finish

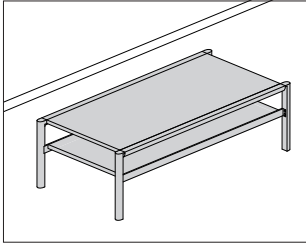
**A2** white ash  A +\$0  
**FD** ebony on maple  A +\$0  
**OU** walnut  A +\$0

### Step 3. Base Finish

**47** trivalent chrome  A +\$20

# Brabo Occasional Table

AV3AL  
AV3AW  
AV3WL  
AV3WW

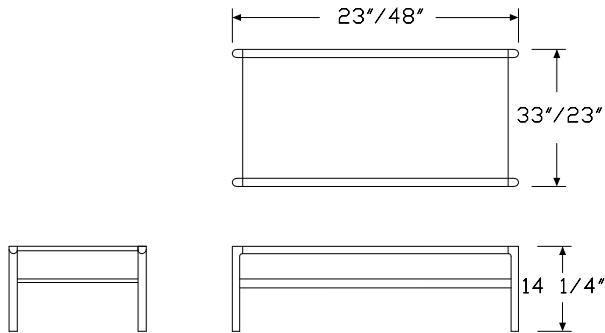


## Product Information

### Description

This table has a solid ash or walnut frame, and steel-plated metal in one of several metal finishes. Tops can be specified in wood veneer or leather-wrapped. Available as a side table or coffee table.

### Dimensions



## Specification Information

### Step 1.

AV

### Step 2. Table Type

- 3AL** ash wood top with leather
- 3WL** walnut wood top with leather
- 3AW** ash wood top with wood
- 3WW** walnut wood top with wood

### Step 3. Size

- 332314** 23" wide side table
- 234814** 48" wide coffee table

### Prices for Steps 1-3.

<b>AV3AL</b>	<b>-332314</b>	\$2111
	<b>-234814</b>	\$2305
<b>AV3WL</b>	<b>-332314</b>	\$2193
	<b>-234814</b>	\$2412
<b>AV3AW</b>	<b>-332314</b>	\$2111
	<b>-234814</b>	\$2305
<b>AV3WW</b>	<b>-332314</b>	\$2193
	<b>-234814</b>	\$2412

### Step 4. Wood Finish

#### Anigre Veneer - Low Sheen

*For ash wood top with leather (3AL) or ash wood top with wood (3AW)*

- 967** smoked paldao, low sheen  +\$0
- 969** warm paldao, low sheen  +\$0

#### Premium Veneer - Matte

*For ash wood top with leather (3AL) or ash wood top with wood (3AW)*

- 66A** frosty ash recograin, quarter cut, matte sheen  +\$0
- 677** chocolate ash, matte sheen  +\$0
- 68R** recograin rosewood  +\$0
- 69A** recograin frosty ash  +\$0
- 69R** recograin rosewood  +\$0
- 69T** recograin teak  +\$0
- 6K1** rift oak  +\$0
- ET** clear on ash  +\$0
- EU** oak on ash  +\$0
- EV** walnut on ash  +\$0
- GOU** natural walnut, flat cut, matte sheen  +\$0

Brabo Occasional Table *continued*

Premium Veneer - Low Sheen		
<i>For ash wood top with leather (3AL) or ash wood top with wood (3AW)</i>		
<b>2U</b>	light brown walnut <span style="border: 1px solid black; padding: 0 2px;">A</span>	+\$0
<b>40</b>	dark brown walnut <span style="border: 1px solid black; padding: 0 2px;">A</span>	+\$0
<b>940</b>	sundance cherry on maple <span style="border: 1px solid black; padding: 0 2px;">A</span>	+\$0
<b>943</b>	caramel cherry <span style="border: 1px solid black; padding: 0 2px;">A</span>	+\$0
<b>946</b>	cocoa cherry <span style="border: 1px solid black; padding: 0 2px;">A</span>	+\$0
<b>956</b>	cocoa sapele <span style="border: 1px solid black; padding: 0 2px;">A</span>	+\$0
<b>962</b>	toasted walnut, low sheen <span style="border: 1px solid black; padding: 0 2px;">A</span>	+\$0
<b>963</b>	charred walnut, low sheen <span style="border: 1px solid black; padding: 0 2px;">A</span>	+\$0
<b>964</b>	bronzed walnut, low sheen <span style="border: 1px solid black; padding: 0 2px;">A</span>	+\$0
<b>965</b>	smoked walnut, low sheen <span style="border: 1px solid black; padding: 0 2px;">A</span>	+\$0
<b>966</b>	coffee walnut, low sheen <span style="border: 1px solid black; padding: 0 2px;">A</span>	+\$0
<b>977</b>	chocolate ash, low sheen <span style="border: 1px solid black; padding: 0 2px;">A</span>	+\$0
<b>98R</b>	recograin rosewood <span style="border: 1px solid black; padding: 0 2px;">A</span>	+\$0
<b>991</b>	champagne ash <span style="border: 1px solid black; padding: 0 2px;">A</span>	+\$0
<b>998</b>	ebony ash <span style="border: 1px solid black; padding: 0 2px;">A</span>	+\$0
<b>99A</b>	recograin frosty ash <span style="border: 1px solid black; padding: 0 2px;">A</span>	+\$0
<b>99R</b>	recograin rosewood <span style="border: 1px solid black; padding: 0 2px;">A</span>	+\$0
<b>99T</b>	recograin teak <span style="border: 1px solid black; padding: 0 2px;">A</span>	+\$0
<b>9A1</b>	white ash, quarter cut, low sheen <span style="border: 1px solid black; padding: 0 2px;">A</span>	+\$0
<b>9K1</b>	rift oak, rift cut, low sheen <span style="border: 1px solid black; padding: 0 2px;">A</span>	+\$0
<b>9K6</b>	burnt oak, rift cut, low sheen <span style="border: 1px solid black; padding: 0 2px;">A</span>	+\$0
<b>ED</b>	aged cherry <span style="border: 1px solid black; padding: 0 2px;">A</span>	+\$0
<b>EK</b>	medium red walnut <span style="border: 1px solid black; padding: 0 2px;">A</span>	+\$0
<b>G2U</b>	light brown walnut, low sheen <span style="border: 1px solid black; padding: 0 2px;">A</span>	+\$0
<b>G40</b>	dark brown walnut, low sheen <span style="border: 1px solid black; padding: 0 2px;">A</span>	+\$0
<b>UX</b>	walnut on cherry <span style="border: 1px solid black; padding: 0 2px;">A</span>	+\$0

RecoGrain Veneer		
<i>For ash wood top with leather (3AL) or ash wood top with wood (3AW)</i>		
<b>66G</b>	wenge recograin, quarter cut, matte sheen <span style="border: 1px solid black; padding: 0 2px;">A</span>	+\$0
<b>68W</b>	recograin walnut, flat cut, matte sheen <span style="border: 1px solid black; padding: 0 2px;">A</span>	+\$0
<b>69G</b>	recograin wenge, quarter cut, matte sheen <span style="border: 1px solid black; padding: 0 2px;">A</span>	+\$0
<b>69W</b>	recograin walnut, quarter cut, matte sheen <span style="border: 1px solid black; padding: 0 2px;">A</span>	+\$0

<i>For ash wood top with leather (3AL) or ash wood top with wood (3AW)</i>		
<b>98W</b>	recograin walnut, flat cut, low sheen <span style="border: 1px solid black; padding: 0 2px;">A</span>	+\$0
<b>99G</b>	recograin wenge, quarter cut, low sheen <span style="border: 1px solid black; padding: 0 2px;">A</span>	+\$0
<b>99W</b>	recograin walnut, quarter cut, low sheen <span style="border: 1px solid black; padding: 0 2px;">A</span>	+\$0

Matte Wood Finishes		
<i>For ash wood top with leather (3AL) or ash wood top with wood (3AW)</i>		
<b>6A1</b>	white ash <span style="border: 1px solid black; padding: 0 2px;">A</span>	+\$0
<b>6K6</b>	burnt oak <span style="border: 1px solid black; padding: 0 2px;">A</span>	+\$0

Premium Veneer - Low Sheen		
<i>For walnut wood top with leather (3WL) or walnut wood top with wood (3WW)</i>		
<b>962</b>	toasted walnut, low sheen <span style="border: 1px solid black; padding: 0 2px;">A</span>	+\$0
<b>963</b>	charred walnut, low sheen <span style="border: 1px solid black; padding: 0 2px;">A</span>	+\$0
<b>964</b>	bronzed walnut, low sheen <span style="border: 1px solid black; padding: 0 2px;">A</span>	+\$0
<b>965</b>	smoked walnut, low sheen <span style="border: 1px solid black; padding: 0 2px;">A</span>	+\$0
<b>966</b>	coffee walnut, low sheen <span style="border: 1px solid black; padding: 0 2px;">A</span>	+\$0
<b>972</b>	sundance walnut <span style="border: 1px solid black; padding: 0 2px;">A</span>	+\$0
<b>98R</b>	recograin rosewood <span style="border: 1px solid black; padding: 0 2px;">A</span>	+\$0
<b>99R</b>	recograin rosewood <span style="border: 1px solid black; padding: 0 2px;">A</span>	+\$0
<b>EK</b>	medium red walnut <span style="border: 1px solid black; padding: 0 2px;">A</span>	+\$0
<b>G2U</b>	light brown walnut, low sheen <span style="border: 1px solid black; padding: 0 2px;">A</span>	+\$0
<b>G40</b>	dark brown walnut, low sheen <span style="border: 1px solid black; padding: 0 2px;">A</span>	+\$0

Premium Veneer - Matte		
<i>For walnut wood top with leather (3WL) or walnut wood top with wood (3WW)</i>		
<b>662</b>	toasted walnut, matte sheen <span style="border: 1px solid black; padding: 0 2px;">A</span>	+\$0
<b>663</b>	charred walnut, matte sheen <span style="border: 1px solid black; padding: 0 2px;">A</span>	+\$0
<b>664</b>	bronzed walnut, matte sheen <span style="border: 1px solid black; padding: 0 2px;">A</span>	+\$0
<b>665</b>	smoked walnut, matte sheen <span style="border: 1px solid black; padding: 0 2px;">A</span>	+\$0
<b>666</b>	coffee walnut, matte sheen <span style="border: 1px solid black; padding: 0 2px;">A</span>	+\$0
<b>667</b>	smoked paldao, quarter cut, matte sheen <span style="border: 1px solid black; padding: 0 2px;">A</span>	+\$0
<b>669</b>	warm paldao, quarter cut, matte sheen <span style="border: 1px solid black; padding: 0 2px;">A</span>	+\$0
<b>68R</b>	recograin rosewood <span style="border: 1px solid black; padding: 0 2px;">A</span>	+\$0
<b>69R</b>	recograin rosewood <span style="border: 1px solid black; padding: 0 2px;">A</span>	+\$0
<b>GOU</b>	natural walnut, flat cut, matte sheen <span style="border: 1px solid black; padding: 0 2px;">A</span>	+\$0

Anigre Veneer - Low Sheen		
<i>For walnut wood top with leather (3WL) or walnut wood top with wood (3WW)</i>		
<b>967</b>	smoked paldao, low sheen <span style="border: 1px solid black; padding: 0 2px;">A</span>	+\$0
<b>969</b>	warm paldao, low sheen <span style="border: 1px solid black; padding: 0 2px;">A</span>	+\$0

<i>For walnut wood top with leather (3WL) or walnut wood top with wood (3WW)</i>		
<b>66G</b>	recograin wenge <span style="border: 1px solid black; padding: 0 2px;">A</span>	+\$0
<b>69G</b>	recograin wenge <span style="border: 1px solid black; padding: 0 2px;">A</span>	+\$0

<i>For walnut wood top with leather (3WL) or walnut wood top with wood (3WW)</i>		
<b>96G</b>	wenge recograin, quarter cut, low sheen <span style="border: 1px solid black; padding: 0 2px;">A</span>	+\$0
<b>99G</b>	recograin wenge, quarter cut, low sheen <span style="border: 1px solid black; padding: 0 2px;">A</span>	+\$0



Brabo Occasional Table *continued*

---

Step 5. Leather Top

*For ash wood top with leather (3AL) AND walnut wood top with leather (3WL)*

---

	<del>-332314</del>	<del>-234814</del>
Price Category 11	+\$210	314

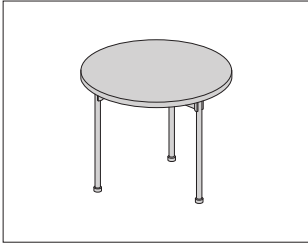
---

Step 6. Base Finish

<b>BNZ</b>	bronze <input type="checkbox"/> A	+\$0
<b>CHR</b>	chrome <input type="checkbox"/> A	+\$0
<b>SAC</b>	satin chrome <input type="checkbox"/> A	+\$0

Claw Table

ACL1A

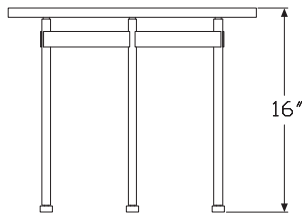
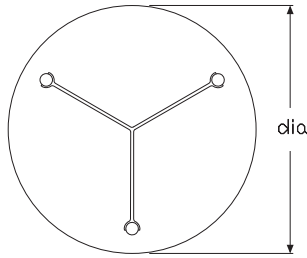


**Product Information**

Description

The table top is 3/4" thick clear glass with a metal base.

Dimensions



**Specification Information**

Step 1.

**ACL1A**

Step 2. Dimensions

- 20 20" diameter x 16" high
- 24 24" diameter x 16" high
- 36 36" diameter x 16" high

Prices for Steps 1-2.

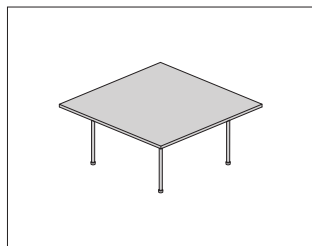
<b>ACL1A -20</b>	\$1981
-24	\$2180
-36	\$3173

Step 3. Base Finish

<b>926</b> black <input type="checkbox"/>	+\$0
<b>BNZ</b> bronze <input type="checkbox"/>	+\$0
<b>CHR</b> chrome <input type="checkbox"/>	+\$0
<b>EH</b> metallic bronze <input type="checkbox"/>	+\$0
<b>MS</b> metallic silver <input type="checkbox"/>	+\$0
<b>SAC</b> satin chrome <input type="checkbox"/>	+\$0

# Claw Occasional Table, Square

ACL2A

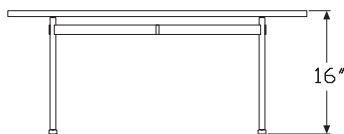
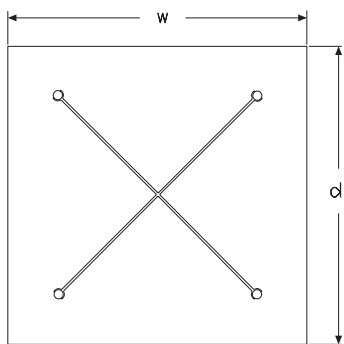


### Product Information

#### Description

The table top is 3/4" thick clear glass with a metal base.

#### Dimensions



### Specification Information

#### Step 1.

**ACL2A**

#### Step 2. Dimensions

**-3636** 36" square x 16" high

**-4040** 40" square x 16" high

#### Prices for Steps 1-2.

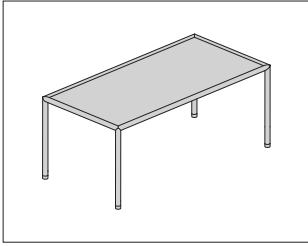
<b>ACL2A -3636</b>	\$3190
<b>-4040</b>	\$3441

#### Step 3. Base Finish

<b>926</b> black <input type="checkbox"/>	+\$0
<b>BNZ</b> bronze <input type="checkbox"/>	+\$0
<b>CHR</b> chrome <input type="checkbox"/>	+\$0
<b>EH</b> metallic bronze <input type="checkbox"/>	+\$0
<b>MS</b> metallic silver <input type="checkbox"/>	+\$0
<b>SAC</b> satin chrome <input type="checkbox"/>	+\$0

# Full Round Table

AWR2-



## Product Information

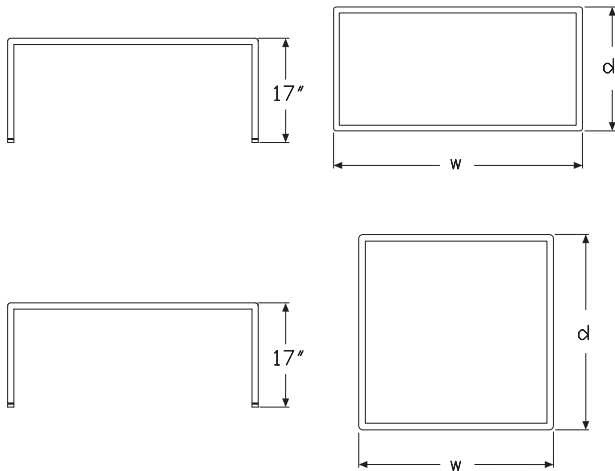
### Description

This table has a wood top and metal base.

### Notes

Santos palisander veneer is celebrated for its unique grain and color variations. Similar products ordered in multiples or dissimilar products ordered separately should be expected to have variation in both grain and color characteristics; no two products will look exactly alike.

### Dimensions



HermanMiller Collection—Occasional Tables

## Specification Information

### Step 1.

**AWR2** [A]

### Step 2. Dimensions

- 2020 20" square x 17" high [A]
- 2424 24" square x 17" high [A]
- 3030 30" square x 17" high [A]
- 3020 30" deep x 20" wide x 17" high [A]
- 4020 40" deep x 20" wide x 17" high [A]

### Prices for Steps 1-2.

<b>AWR2-2020</b>	\$1580
<b>AWR2-2424</b>	\$1785
<b>AWR2-3030</b>	\$2142
<b>AWR2-3020</b>	\$1951
<b>AWR2-4020</b>	\$2087

### Step 3. Wood Finish

#### Premium Veneer - Low Sheen

*For 20" square x 17" high (-2020)*

<b>931</b>	champagne anigre (natural) [A]	+\$291
<b>932</b>	sundance anigre [A]	+\$291
<b>933</b>	caramel anigre [A]	+\$291
<b>934</b>	henna anigre [A]	+\$291
<b>941</b>	natural beech [A]	+\$0
<b>942</b>	sundance cherry (natural) [A]	+\$0
<b>943</b>	caramel cherry [A]	+\$0
<b>946</b>	cocoa cherry [A]	+\$0
<b>951</b>	natural anigre [A]	+\$632
<b>956</b>	cocoa sapele [A]	+\$0
<b>962</b>	toasted walnut, low sheen [A]	+\$0
<b>963</b>	charred walnut, low sheen [A]	+\$0
<b>964</b>	bronzed walnut, low sheen [A]	+\$0
<b>965</b>	smoked walnut, low sheen [A]	+\$0
<b>966</b>	coffee walnut, low sheen [A]	+\$0
<b>967</b>	smoked paldao, low sheen [A]	+\$237
<b>969</b>	warm paldao, low sheen [A]	+\$237
<b>972</b>	sundance walnut [A]	+\$0
<b>977</b>	chocolate ash, low sheen [A]	+\$0
<b>978</b>	natural oak [A]	+\$0
<b>981</b>	champagne hickory (natural) [A]	+\$0
<b>98R</b>	recograin rosewood [A]	+\$0
<b>991</b>	champagne ash [A]	+\$0
<b>998</b>	ebony ash [A]	+\$0
<b>99A</b>	recograin frosty ash [A]	+\$0

Full Round Table *continued*

<b>99R</b>	recograin rosewood <span style="border: 1px solid black; padding: 0 2px;">A</span>	+\$0
<b>99T</b>	recograin teak <span style="border: 1px solid black; padding: 0 2px;">A</span>	+\$0
<b>9A1</b>	white ash, quarter cut, low sheen <span style="border: 1px solid black; padding: 0 2px;">A</span>	+\$0
<b>9K1</b>	rift oak, rift cut, low sheen <span style="border: 1px solid black; padding: 0 2px;">A</span>	+\$0
<b>9K6</b>	burnt oak, rift cut, low sheen <span style="border: 1px solid black; padding: 0 2px;">A</span>	+\$0
<b>ED</b>	aged cherry <span style="border: 1px solid black; padding: 0 2px;">A</span>	+\$0
<b>EK</b>	medium red walnut <span style="border: 1px solid black; padding: 0 2px;">A</span>	+\$0
<b>G2U</b>	light brown walnut, low sheen <span style="border: 1px solid black; padding: 0 2px;">A</span>	+\$0
<b>G40</b>	dark brown walnut, low sheen <span style="border: 1px solid black; padding: 0 2px;">A</span>	+\$0
<b>UX</b>	walnut on cherry <span style="border: 1px solid black; padding: 0 2px;">A</span>	+\$0

Premium Veneer - Matte

*For 20" square x 17" high (-2020)*

<b>662</b>	toasted walnut, matte sheen <span style="border: 1px solid black; padding: 0 2px;">A</span>	+\$0
<b>663</b>	charred walnut, matte sheen <span style="border: 1px solid black; padding: 0 2px;">A</span>	+\$0
<b>664</b>	bronzed walnut, matte sheen <span style="border: 1px solid black; padding: 0 2px;">A</span>	+\$0
<b>665</b>	smoked walnut, matte sheen <span style="border: 1px solid black; padding: 0 2px;">A</span>	+\$0
<b>666</b>	coffee walnut, matte sheen <span style="border: 1px solid black; padding: 0 2px;">A</span>	+\$0
<b>667</b>	smoked paldao, quarter cut, matte sheen <span style="border: 1px solid black; padding: 0 2px;">A</span>	+\$237
<b>669</b>	warm paldao, quarter cut, matte sheen <span style="border: 1px solid black; padding: 0 2px;">A</span>	+\$237
<b>66A</b>	recograin frosty ash <span style="border: 1px solid black; padding: 0 2px;">A</span>	+\$0
<b>677</b>	chocolate ash, matte sheen <span style="border: 1px solid black; padding: 0 2px;">A</span>	+\$0
<b>678</b>	natural oak <span style="border: 1px solid black; padding: 0 2px;">A</span>	+\$0
<b>68R</b>	recograin rosewood <span style="border: 1px solid black; padding: 0 2px;">A</span>	+\$0
<b>69A</b>	recograin frosty ash <span style="border: 1px solid black; padding: 0 2px;">A</span>	+\$0
<b>69R</b>	recograin rosewood <span style="border: 1px solid black; padding: 0 2px;">A</span>	+\$0
<b>69T</b>	recograin teak <span style="border: 1px solid black; padding: 0 2px;">A</span>	+\$0
<b>6A1</b>	white ash <span style="border: 1px solid black; padding: 0 2px;">A</span>	+\$0
<b>6K1</b>	rift oak <span style="border: 1px solid black; padding: 0 2px;">A</span>	+\$0
<b>6K6</b>	burnt oak <span style="border: 1px solid black; padding: 0 2px;">A</span>	+\$0
<b>ET</b>	clear on ash <span style="border: 1px solid black; padding: 0 2px;">A</span>	+\$0
<b>EU</b>	oak on ash <span style="border: 1px solid black; padding: 0 2px;">A</span>	+\$0
<b>EV</b>	walnut on ash <span style="border: 1px solid black; padding: 0 2px;">A</span>	+\$0
<b>GOU</b>	natural walnut, flat cut, matte sheen <span style="border: 1px solid black; padding: 0 2px;">A</span>	+\$0

RecoGrain Veneer

*For 20" square x 17" high (-2020)*

<b>66G</b>	recograin wenge <span style="border: 1px solid black; padding: 0 2px;">A</span>	-\$79
<b>68W</b>	recograin walnut, flat cut, matte sheen <span style="border: 1px solid black; padding: 0 2px;">A</span>	-\$79
<b>69G</b>	recograin wenge <span style="border: 1px solid black; padding: 0 2px;">A</span>	-\$79
<b>69K</b>	recograin oak, quarter cut, matte sheen <span style="border: 1px solid black; padding: 0 2px;">A</span>	-\$79
<b>69W</b>	recograin walnut, quarter cut, matte sheen <span style="border: 1px solid black; padding: 0 2px;">A</span>	-\$79

Recon Veneer -

*For 20" square x 17" high (-2020)*

<b>96G</b>	wenge recograin, quarter cut, low sheen <span style="border: 1px solid black; padding: 0 2px;">A</span>	-\$79
<b>98W</b>	recograin walnut, flat cut, low sheen <span style="border: 1px solid black; padding: 0 2px;">A</span>	-\$79
<b>99G</b>	recograin wenge, quarter cut, low sheen <span style="border: 1px solid black; padding: 0 2px;">A</span>	-\$79
<b>99K</b>	recograin oak, quarter cut, low sheen <span style="border: 1px solid black; padding: 0 2px;">A</span>	-\$79
<b>99W</b>	recograin walnut, quarter cut, low sheen <span style="border: 1px solid black; padding: 0 2px;">A</span>	-\$79

*For 24" square x 17" high (-2424)*

<b>662</b>	toasted walnut, matte sheen <span style="border: 1px solid black; padding: 0 2px;">A</span>	+\$0
<b>663</b>	charred walnut, matte sheen <span style="border: 1px solid black; padding: 0 2px;">A</span>	+\$0
<b>664</b>	bronzed walnut, matte sheen <span style="border: 1px solid black; padding: 0 2px;">A</span>	+\$0
<b>665</b>	smoked walnut, matte sheen <span style="border: 1px solid black; padding: 0 2px;">A</span>	+\$0
<b>666</b>	coffee walnut, matte sheen <span style="border: 1px solid black; padding: 0 2px;">A</span>	+\$0
<b>667</b>	smoked paldao, quarter cut, matte sheen <span style="border: 1px solid black; padding: 0 2px;">A</span>	+\$268
<b>669</b>	warm paldao, quarter cut, matte sheen <span style="border: 1px solid black; padding: 0 2px;">A</span>	+\$268
<b>66A</b>	frosty ash recograin, quarter cut, matte sheen <span style="border: 1px solid black; padding: 0 2px;">A</span>	+\$0
<b>677</b>	chocolate ash, matte sheen <span style="border: 1px solid black; padding: 0 2px;">A</span>	+\$0
<b>678</b>	natural oak <span style="border: 1px solid black; padding: 0 2px;">A</span>	+\$0
<b>68R</b>	recograin rosewood <span style="border: 1px solid black; padding: 0 2px;">A</span>	+\$0
<b>69A</b>	recograin frosty ash <span style="border: 1px solid black; padding: 0 2px;">A</span>	+\$0
<b>69R</b>	recograin rosewood <span style="border: 1px solid black; padding: 0 2px;">A</span>	+\$0
<b>69T</b>	recograin teak <span style="border: 1px solid black; padding: 0 2px;">A</span>	+\$0
<b>6A1</b>	white ash <span style="border: 1px solid black; padding: 0 2px;">A</span>	+\$0
<b>6K1</b>	rift oak <span style="border: 1px solid black; padding: 0 2px;">A</span>	+\$0
<b>6K6</b>	burnt oak <span style="border: 1px solid black; padding: 0 2px;">A</span>	+\$0
<b>ET</b>	clear on ash <span style="border: 1px solid black; padding: 0 2px;">A</span>	+\$0
<b>EU</b>	oak on ash <span style="border: 1px solid black; padding: 0 2px;">A</span>	+\$0
<b>EV</b>	walnut on ash <span style="border: 1px solid black; padding: 0 2px;">A</span>	+\$0
<b>GOU</b>	natural walnut, flat cut, matte sheen <span style="border: 1px solid black; padding: 0 2px;">A</span>	+\$0

*For 24" square x 17" high (-2424)*

<b>66G</b>	recograin wenge <span style="border: 1px solid black; padding: 0 2px;">A</span>	-\$90
<b>68W</b>	recograin walnut, flat cut, matte sheen <span style="border: 1px solid black; padding: 0 2px;">A</span>	-\$90
<b>69G</b>	recograin wenge <span style="border: 1px solid black; padding: 0 2px;">A</span>	-\$90
<b>69K</b>	recograin oak, quarter cut, matte sheen <span style="border: 1px solid black; padding: 0 2px;">A</span>	-\$90
<b>69W</b>	recograin walnut, quarter cut, matte sheen <span style="border: 1px solid black; padding: 0 2px;">A</span>	-\$90

*For 24" square x 17" high (-2424)*

<b>96G</b>	wenge recograin, quarter cut, low sheen <span style="border: 1px solid black; padding: 0 2px;">A</span>	-\$90
<b>98W</b>	recograin walnut, flat cut, low sheen <span style="border: 1px solid black; padding: 0 2px;">A</span>	-\$90
<b>99G</b>	recograin wenge, quarter cut, low sheen <span style="border: 1px solid black; padding: 0 2px;">A</span>	-\$90
<b>99K</b>	recograin oak, quarter cut, low sheen <span style="border: 1px solid black; padding: 0 2px;">A</span>	-\$90
<b>99W</b>	recograin walnut, quarter cut, low sheen <span style="border: 1px solid black; padding: 0 2px;">A</span>	-\$90

Full Round Table *continued*

*For 24" square x 17" high (-2424)*

<b>931</b>	champagne anigre (natural) <span style="border: 1px solid black; padding: 0 2px;">A</span>	+\$330
<b>932</b>	sundance anigre <span style="border: 1px solid black; padding: 0 2px;">A</span>	+\$330
<b>933</b>	caramel anigre <span style="border: 1px solid black; padding: 0 2px;">A</span>	+\$330
<b>934</b>	henna anigre <span style="border: 1px solid black; padding: 0 2px;">A</span>	+\$330
<b>941</b>	natural beech <span style="border: 1px solid black; padding: 0 2px;">A</span>	+\$0
<b>942</b>	sundance cherry (natural) <span style="border: 1px solid black; padding: 0 2px;">A</span>	+\$0
<b>943</b>	caramel cherry <span style="border: 1px solid black; padding: 0 2px;">A</span>	+\$0
<b>946</b>	cocoa cherry <span style="border: 1px solid black; padding: 0 2px;">A</span>	+\$0
<b>951</b>	natural anigre <span style="border: 1px solid black; padding: 0 2px;">A</span>	+\$714
<b>956</b>	cocoa sapele <span style="border: 1px solid black; padding: 0 2px;">A</span>	+\$0
<b>962</b>	toasted walnut, low sheen <span style="border: 1px solid black; padding: 0 2px;">A</span>	+\$0
<b>963</b>	charred walnut, low sheen <span style="border: 1px solid black; padding: 0 2px;">A</span>	+\$0
<b>964</b>	bronzed walnut, low sheen <span style="border: 1px solid black; padding: 0 2px;">A</span>	+\$0
<b>965</b>	smoked walnut, low sheen <span style="border: 1px solid black; padding: 0 2px;">A</span>	+\$0
<b>966</b>	coffee walnut, low sheen <span style="border: 1px solid black; padding: 0 2px;">A</span>	+\$0
<b>967</b>	smoked paldao, low sheen <span style="border: 1px solid black; padding: 0 2px;">A</span>	+\$268
<b>969</b>	warm paldao, low sheen <span style="border: 1px solid black; padding: 0 2px;">A</span>	+\$268
<b>972</b>	sundance walnut <span style="border: 1px solid black; padding: 0 2px;">A</span>	+\$0
<b>977</b>	chocolate ash, low sheen <span style="border: 1px solid black; padding: 0 2px;">A</span>	+\$0
<b>978</b>	natural oak <span style="border: 1px solid black; padding: 0 2px;">A</span>	+\$0
<b>981</b>	champagne hickory (natural) <span style="border: 1px solid black; padding: 0 2px;">A</span>	+\$0
<b>98R</b>	recograin rosewood <span style="border: 1px solid black; padding: 0 2px;">A</span>	+\$0
<b>991</b>	champagne ash <span style="border: 1px solid black; padding: 0 2px;">A</span>	+\$0
<b>998</b>	ebony ash <span style="border: 1px solid black; padding: 0 2px;">A</span>	+\$0
<b>99A</b>	recograin frosty ash <span style="border: 1px solid black; padding: 0 2px;">A</span>	+\$0
<b>99R</b>	recograin rosewood <span style="border: 1px solid black; padding: 0 2px;">A</span>	+\$0
<b>99T</b>	recograin teak <span style="border: 1px solid black; padding: 0 2px;">A</span>	+\$0
<b>9A1</b>	white ash, quarter cut, low sheen <span style="border: 1px solid black; padding: 0 2px;">A</span>	+\$0
<b>9K1</b>	rift oak, rift cut, low sheen <span style="border: 1px solid black; padding: 0 2px;">A</span>	+\$0
<b>9K6</b>	burnt oak, rift cut, low sheen <span style="border: 1px solid black; padding: 0 2px;">A</span>	+\$0
<b>ED</b>	aged cherry <span style="border: 1px solid black; padding: 0 2px;">A</span>	+\$0
<b>EK</b>	medium red walnut <span style="border: 1px solid black; padding: 0 2px;">A</span>	+\$0
<b>G2U</b>	light brown walnut, low sheen <span style="border: 1px solid black; padding: 0 2px;">A</span>	+\$0
<b>G40</b>	dark brown walnut, low sheen <span style="border: 1px solid black; padding: 0 2px;">A</span>	+\$0
<b>UX</b>	walnut on cherry <span style="border: 1px solid black; padding: 0 2px;">A</span>	+\$0

*For 30" square x 17" high (-3030)*

<b>662</b>	toasted walnut, matte sheen <span style="border: 1px solid black; padding: 0 2px;">A</span>	+\$0
<b>663</b>	charred walnut, matte sheen <span style="border: 1px solid black; padding: 0 2px;">A</span>	+\$0
<b>664</b>	bronzed walnut, matte sheen <span style="border: 1px solid black; padding: 0 2px;">A</span>	+\$0
<b>665</b>	smoked walnut, matte sheen <span style="border: 1px solid black; padding: 0 2px;">A</span>	+\$0
<b>666</b>	coffee walnut, matte sheen <span style="border: 1px solid black; padding: 0 2px;">A</span>	+\$0
<b>667</b>	smoked paldao, quarter cut, matte sheen <span style="border: 1px solid black; padding: 0 2px;">A</span>	+\$322
<b>669</b>	warm paldao, quarter cut, matte sheen <span style="border: 1px solid black; padding: 0 2px;">A</span>	+\$322
<b>66A</b>	recograin frosty ash <span style="border: 1px solid black; padding: 0 2px;">A</span>	+\$0
<b>677</b>	chocolate ash, matte sheen <span style="border: 1px solid black; padding: 0 2px;">A</span>	+\$0
<b>678</b>	natural oak <span style="border: 1px solid black; padding: 0 2px;">A</span>	+\$0
<b>68R</b>	recograin rosewood <span style="border: 1px solid black; padding: 0 2px;">A</span>	+\$0
<b>69A</b>	recograin frosty ash <span style="border: 1px solid black; padding: 0 2px;">A</span>	+\$0
<b>69R</b>	recograin rosewood <span style="border: 1px solid black; padding: 0 2px;">A</span>	+\$0
<b>69T</b>	recograin teak <span style="border: 1px solid black; padding: 0 2px;">A</span>	+\$0
<b>6A1</b>	white ash <span style="border: 1px solid black; padding: 0 2px;">A</span>	+\$0
<b>6K1</b>	rift oak <span style="border: 1px solid black; padding: 0 2px;">A</span>	+\$0
<b>6K6</b>	burnt oak <span style="border: 1px solid black; padding: 0 2px;">A</span>	+\$0
<b>ET</b>	clear on ash <span style="border: 1px solid black; padding: 0 2px;">A</span>	+\$0
<b>EU</b>	oak on ash <span style="border: 1px solid black; padding: 0 2px;">A</span>	+\$0
<b>EV</b>	walnut on ash <span style="border: 1px solid black; padding: 0 2px;">A</span>	+\$0
<b>GOU</b>	natural walnut, flat cut, matte sheen <span style="border: 1px solid black; padding: 0 2px;">A</span>	+\$0

*For 30" square x 17" high (-3030)*

<b>66G</b>	recograin wenge <span style="border: 1px solid black; padding: 0 2px;">A</span>	-\$108
<b>68W</b>	recograin walnut, flat cut, matte sheen <span style="border: 1px solid black; padding: 0 2px;">A</span>	-\$108
<b>69G</b>	recograin wenge <span style="border: 1px solid black; padding: 0 2px;">A</span>	-\$108
<b>69K</b>	recograin oak, quarter cut, matte sheen <span style="border: 1px solid black; padding: 0 2px;">A</span>	-\$108
<b>69W</b>	recograin walnut, quarter cut, matte sheen <span style="border: 1px solid black; padding: 0 2px;">A</span>	-\$108

*For 30" square x 17" high (-3030)*

<b>96G</b>	wenge recograin, quarter cut, low sheen <span style="border: 1px solid black; padding: 0 2px;">A</span>	-\$108
<b>98W</b>	recograin walnut, flat cut, low sheen <span style="border: 1px solid black; padding: 0 2px;">A</span>	-\$108
<b>99G</b>	recograin wenge, quarter cut, low sheen <span style="border: 1px solid black; padding: 0 2px;">A</span>	-\$108
<b>99K</b>	recograin oak, quarter cut, low sheen <span style="border: 1px solid black; padding: 0 2px;">A</span>	-\$108
<b>99W</b>	recograin walnut, quarter cut, low sheen <span style="border: 1px solid black; padding: 0 2px;">A</span>	-\$108

*For 30" square x 17" high (-3030)*

<b>931</b>	champagne anigre (natural) <span style="border: 1px solid black; padding: 0 2px;">A</span>	+\$397
<b>932</b>	sundance anigre <span style="border: 1px solid black; padding: 0 2px;">A</span>	+\$397
<b>933</b>	caramel anigre <span style="border: 1px solid black; padding: 0 2px;">A</span>	+\$397
<b>934</b>	henna anigre <span style="border: 1px solid black; padding: 0 2px;">A</span>	+\$397
<b>941</b>	natural beech <span style="border: 1px solid black; padding: 0 2px;">A</span>	+\$0
<b>942</b>	sundance cherry (natural) <span style="border: 1px solid black; padding: 0 2px;">A</span>	+\$0
<b>943</b>	caramel cherry <span style="border: 1px solid black; padding: 0 2px;">A</span>	+\$0
<b>946</b>	cocoa cherry <span style="border: 1px solid black; padding: 0 2px;">A</span>	+\$0
<b>951</b>	natural anigre <span style="border: 1px solid black; padding: 0 2px;">A</span>	+\$857

Full Round Table *continued*

<b>956</b>	cocoa sapele [A]	+\$0
<b>962</b>	toasted walnut, low sheen [A]	+\$0
<b>963</b>	charred walnut, low sheen [A]	+\$0
<b>964</b>	bronzed walnut, low sheen [A]	+\$0
<b>965</b>	smoked walnut, low sheen [A]	+\$0
<b>966</b>	coffee walnut, low sheen [A]	+\$0
<b>967</b>	smoked paldao, low sheen [A]	+\$322
<b>969</b>	warm paldao, low sheen [A]	+\$322
<b>972</b>	sundance walnut [A]	+\$0
<b>977</b>	chocolate ash, low sheen [A]	+\$0
<b>978</b>	natural oak [A]	+\$0
<b>981</b>	champagne hickory (natural) [A]	+\$0
<b>98R</b>	recograin rosewood [A]	+\$0
<b>991</b>	champagne ash [A]	+\$0
<b>998</b>	ebony ash [A]	+\$0
<b>99A</b>	recograin frosty ash [A]	+\$0
<b>99R</b>	recograin rosewood [A]	+\$0
<b>99T</b>	recograin teak [A]	+\$0
<b>9A1</b>	white ash, quarter cut, low sheen [A]	+\$0
<b>9K1</b>	rift oak, rift cut, low sheen [A]	+\$0
<b>9K6</b>	burnt oak, rift cut, low sheen [A]	+\$0
<b>ED</b>	aged cherry [A]	+\$0
<b>EK</b>	medium red walnut [A]	+\$0
<b>G2U</b>	light brown walnut, low sheen [A]	+\$0
<b>G40</b>	dark brown walnut, low sheen [A]	+\$0
<b>UX</b>	walnut on cherry [A]	+\$0

*For 30" deep x 20" wide x 17" high (-3020)*

<b>662</b>	toasted walnut, matte sheen [A]	+\$0
<b>663</b>	charred walnut, matte sheen [A]	+\$0
<b>664</b>	bronzed walnut, matte sheen [A]	+\$0
<b>665</b>	smoked walnut, matte sheen [A]	+\$0
<b>666</b>	coffee walnut, matte sheen [A]	+\$0
<b>667</b>	smoked paldao, quarter cut, matte sheen [A]	+\$293
<b>669</b>	warm paldao, quarter cut, matte sheen [A]	+\$293
<b>66A</b>	recograin frosty ash [A]	+\$0
<b>677</b>	chocolate ash, matte sheen [A]	+\$0
<b>678</b>	natural oak [A]	+\$0
<b>68R</b>	recograin rosewood [A]	+\$0
<b>69A</b>	recograin frosty ash [A]	+\$0
<b>69R</b>	recograin rosewood [A]	+\$0
<b>69T</b>	recograin teak [A]	+\$0
<b>6A1</b>	white ash [A]	+\$0
<b>6K1</b>	rift oak [A]	+\$0
<b>6K6</b>	burnt oak [A]	+\$0
<b>ET</b>	clear on ash [A]	+\$0
<b>EU</b>	oak on ash [A]	+\$0
<b>EV</b>	walnut on ash [A]	+\$0
<b>GOU</b>	natural walnut, flat cut, matte sheen [A]	+\$0

*For 30" deep x 20" wide x 17" high (-3020)*

<b>66G</b>	recograin wenge [A]	-\$98
<b>68W</b>	recograin walnut, flat cut, matte sheen [A]	-\$98
<b>69G</b>	recograin wenge [A]	-\$98
<b>69K</b>	recograin oak, quarter cut, matte sheen [A]	-\$98
<b>69W</b>	recograin walnut, quarter cut, matte sheen [A]	-\$98

*For 30" deep x 20" wide x 17" high (-3020)*

<b>96G</b>	wenge recograin, quarter cut, low sheen [A]	-\$98
<b>98W</b>	recograin walnut, flat cut, low sheen [A]	-\$98
<b>99G</b>	recograin wenge, quarter cut, low sheen [A]	-\$98
<b>99K</b>	recograin oak, quarter cut, low sheen [A]	-\$98
<b>99W</b>	recograin walnut, quarter cut, low sheen [A]	-\$98

*For 30" deep x 20" wide x 17" high (-3020)*

<b>931</b>	champagne anigre (natural) [A]	+\$364
<b>932</b>	sundance anigre [A]	+\$364
<b>933</b>	caramel anigre [A]	+\$364
<b>934</b>	henna anigre [A]	+\$364
<b>941</b>	natural beech [A]	+\$0
<b>942</b>	sundance cherry (natural) [A]	+\$0
<b>943</b>	caramel cherry [A]	+\$0
<b>946</b>	cocoa cherry [A]	+\$0
<b>951</b>	natural anigre [A]	+\$781

<b>956</b>	cocoa sapele <span style="border: 1px solid black; padding: 0 2px;">A</span>	+\$0
<b>962</b>	toasted walnut, low sheen <span style="border: 1px solid black; padding: 0 2px;">A</span>	+\$0
<b>963</b>	charred walnut, low sheen <span style="border: 1px solid black; padding: 0 2px;">A</span>	+\$0
<b>964</b>	bronzed walnut, low sheen <span style="border: 1px solid black; padding: 0 2px;">A</span>	+\$0
<b>965</b>	smoked walnut, low sheen <span style="border: 1px solid black; padding: 0 2px;">A</span>	+\$0
<b>966</b>	coffee walnut, low sheen <span style="border: 1px solid black; padding: 0 2px;">A</span>	+\$0
<b>967</b>	smoked paldao, low sheen <span style="border: 1px solid black; padding: 0 2px;">A</span>	+\$293
<b>969</b>	warm paldao, low sheen <span style="border: 1px solid black; padding: 0 2px;">A</span>	+\$293
<b>972</b>	sundance walnut <span style="border: 1px solid black; padding: 0 2px;">A</span>	+\$0
<b>977</b>	chocolate ash, low sheen <span style="border: 1px solid black; padding: 0 2px;">A</span>	+\$0
<b>978</b>	natural oak <span style="border: 1px solid black; padding: 0 2px;">A</span>	+\$0
<b>981</b>	champagne hickory (natural) <span style="border: 1px solid black; padding: 0 2px;">A</span>	+\$0
<b>98R</b>	recograin rosewood <span style="border: 1px solid black; padding: 0 2px;">A</span>	+\$0
<b>991</b>	champagne ash <span style="border: 1px solid black; padding: 0 2px;">A</span>	+\$0
<b>998</b>	ebony ash <span style="border: 1px solid black; padding: 0 2px;">A</span>	+\$0
<b>99A</b>	recograin frosty ash <span style="border: 1px solid black; padding: 0 2px;">A</span>	+\$0
<b>99R</b>	recograin rosewood <span style="border: 1px solid black; padding: 0 2px;">A</span>	+\$0
<b>99T</b>	recograin teak <span style="border: 1px solid black; padding: 0 2px;">A</span>	+\$0
<b>9A1</b>	white ash, quarter cut, low sheen <span style="border: 1px solid black; padding: 0 2px;">A</span>	+\$0
<b>9K1</b>	rift oak, rift cut, low sheen <span style="border: 1px solid black; padding: 0 2px;">A</span>	+\$0
<b>9K6</b>	burnt oak, rift cut, low sheen <span style="border: 1px solid black; padding: 0 2px;">A</span>	+\$0
<b>ED</b>	aged cherry <span style="border: 1px solid black; padding: 0 2px;">A</span>	+\$0
<b>EK</b>	medium red walnut <span style="border: 1px solid black; padding: 0 2px;">A</span>	+\$0
<b>G2U</b>	light brown walnut, low sheen <span style="border: 1px solid black; padding: 0 2px;">A</span>	+\$0
<b>G40</b>	dark brown walnut, low sheen <span style="border: 1px solid black; padding: 0 2px;">A</span>	+\$0
<b>UX</b>	walnut on cherry <span style="border: 1px solid black; padding: 0 2px;">A</span>	+\$0

---

*For 40" deep x 20" wide x 17" high (-4020)*

<b>662</b>	toasted walnut, matte sheen <span style="border: 1px solid black; padding: 0 2px;">A</span>	+\$0
<b>663</b>	charred walnut, matte sheen <span style="border: 1px solid black; padding: 0 2px;">A</span>	+\$0
<b>664</b>	bronzed walnut, matte sheen <span style="border: 1px solid black; padding: 0 2px;">A</span>	+\$0
<b>665</b>	smoked walnut, matte sheen <span style="border: 1px solid black; padding: 0 2px;">A</span>	+\$0
<b>666</b>	coffee walnut, matte sheen <span style="border: 1px solid black; padding: 0 2px;">A</span>	+\$0
<b>667</b>	smoked paldao, quarter cut, matte sheen <span style="border: 1px solid black; padding: 0 2px;">A</span>	+\$314
<b>669</b>	warm paldao, quarter cut, matte sheen <span style="border: 1px solid black; padding: 0 2px;">A</span>	+\$314
<b>66A</b>	recograin frosty ash <span style="border: 1px solid black; padding: 0 2px;">A</span>	+\$0
<b>677</b>	chocolate ash, matte sheen <span style="border: 1px solid black; padding: 0 2px;">A</span>	+\$0
<b>678</b>	natural oak <span style="border: 1px solid black; padding: 0 2px;">A</span>	+\$0
<b>68R</b>	recograin rosewood <span style="border: 1px solid black; padding: 0 2px;">A</span>	+\$0
<b>69A</b>	recograin frosty ash <span style="border: 1px solid black; padding: 0 2px;">A</span>	+\$0
<b>69R</b>	recograin rosewood <span style="border: 1px solid black; padding: 0 2px;">A</span>	+\$0
<b>69T</b>	recograin teak <span style="border: 1px solid black; padding: 0 2px;">A</span>	+\$0
<b>6A1</b>	white ash <span style="border: 1px solid black; padding: 0 2px;">A</span>	+\$0
<b>6K1</b>	rift oak <span style="border: 1px solid black; padding: 0 2px;">A</span>	+\$0
<b>6K6</b>	burnt oak <span style="border: 1px solid black; padding: 0 2px;">A</span>	+\$0
<b>ET</b>	clear on ash <span style="border: 1px solid black; padding: 0 2px;">A</span>	+\$0
<b>EU</b>	oak on ash <span style="border: 1px solid black; padding: 0 2px;">A</span>	+\$0
<b>EV</b>	walnut on ash <span style="border: 1px solid black; padding: 0 2px;">A</span>	+\$0
<b>GOU</b>	natural walnut, flat cut, matte sheen <span style="border: 1px solid black; padding: 0 2px;">A</span>	+\$0

---

*For 40" deep x 20" wide x 17" high (-4020)*

<b>66G</b>	recograin wenge <span style="border: 1px solid black; padding: 0 2px;">A</span>	-\$105
<b>68W</b>	recograin walnut, flat cut, matte sheen <span style="border: 1px solid black; padding: 0 2px;">A</span>	-\$105
<b>69G</b>	recograin wenge <span style="border: 1px solid black; padding: 0 2px;">A</span>	-\$105
<b>69K</b>	recograin oak, quarter cut, matte sheen <span style="border: 1px solid black; padding: 0 2px;">A</span>	-\$105
<b>69W</b>	recograin walnut, quarter cut, matte sheen <span style="border: 1px solid black; padding: 0 2px;">A</span>	-\$105

---

*For 40" deep x 20" wide x 17" high (-4020)*

<b>96G</b>	wenge recograin, quarter cut, low sheen <span style="border: 1px solid black; padding: 0 2px;">A</span>	-\$105
<b>98W</b>	recograin walnut, flat cut, low sheen <span style="border: 1px solid black; padding: 0 2px;">A</span>	-\$105
<b>99G</b>	recograin wenge, quarter cut, low sheen <span style="border: 1px solid black; padding: 0 2px;">A</span>	-\$105
<b>99K</b>	recograin oak, quarter cut, low sheen <span style="border: 1px solid black; padding: 0 2px;">A</span>	-\$105
<b>99W</b>	recograin walnut, quarter cut, low sheen <span style="border: 1px solid black; padding: 0 2px;">A</span>	-\$105

---

*For 40" deep x 20" wide x 17" high (-4020)*

<b>931</b>	champagne anigre (natural) <span style="border: 1px solid black; padding: 0 2px;">A</span>	+\$390
<b>932</b>	sundance anigre <span style="border: 1px solid black; padding: 0 2px;">A</span>	+\$390
<b>933</b>	caramel anigre <span style="border: 1px solid black; padding: 0 2px;">A</span>	+\$390
<b>934</b>	henna anigre <span style="border: 1px solid black; padding: 0 2px;">A</span>	+\$390
<b>941</b>	natural beech <span style="border: 1px solid black; padding: 0 2px;">A</span>	+\$0
<b>942</b>	sundance cherry (natural) <span style="border: 1px solid black; padding: 0 2px;">A</span>	+\$0
<b>943</b>	caramel cherry <span style="border: 1px solid black; padding: 0 2px;">A</span>	+\$0
<b>946</b>	cocoa cherry <span style="border: 1px solid black; padding: 0 2px;">A</span>	+\$0
<b>951</b>	natural anigre <span style="border: 1px solid black; padding: 0 2px;">A</span>	+\$835



## Full Round Table *continued*

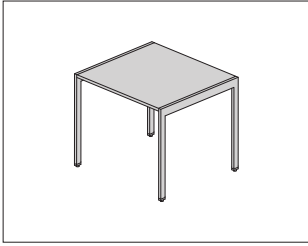
<b>956</b>	cocoa sapele <input type="checkbox"/> A	+\$0
<b>962</b>	toasted walnut, low sheen <input type="checkbox"/> A	+\$0
<b>963</b>	charred walnut, low sheen <input type="checkbox"/> A	+\$0
<b>964</b>	bronzed walnut, low sheen <input type="checkbox"/> A	+\$0
<b>965</b>	smoked walnut, low sheen <input type="checkbox"/> A	+\$0
<b>966</b>	coffee walnut, low sheen <input type="checkbox"/> A	+\$0
<b>967</b>	smoked paldao, low sheen <input type="checkbox"/> A	+\$314
<b>969</b>	warm paldao, low sheen <input type="checkbox"/> A	+\$314
<b>972</b>	sundance walnut <input type="checkbox"/> A	+\$0
<b>977</b>	chocolate ash, low sheen <input type="checkbox"/> A	+\$0
<b>978</b>	natural oak <input type="checkbox"/> A	+\$0
<b>981</b>	champagne hickory (natural) <input type="checkbox"/> A	+\$0
<b>98R</b>	recograin rosewood <input type="checkbox"/> A	+\$0
<b>991</b>	champagne ash <input type="checkbox"/> A	+\$0
<b>998</b>	ebony ash <input type="checkbox"/> A	+\$0
<b>99A</b>	recograin frosty ash <input type="checkbox"/> A	+\$0
<b>99R</b>	recograin rosewood <input type="checkbox"/> A	+\$0
<b>99T</b>	recograin teak <input type="checkbox"/> A	+\$0
<b>9A1</b>	white ash, quarter cut, low sheen <input type="checkbox"/> A	+\$0
<b>9K1</b>	rift oak, rift cut, low sheen <input type="checkbox"/> A	+\$0
<b>9K6</b>	burnt oak, rift cut, low sheen <input type="checkbox"/> A	+\$0
<b>ED</b>	aged cherry <input type="checkbox"/> A	+\$0
<b>EK</b>	medium red walnut <input type="checkbox"/> A	+\$0
<b>G2U</b>	light brown walnut, low sheen <input type="checkbox"/> A	+\$0
<b>G40</b>	dark brown walnut, low sheen <input type="checkbox"/> A	+\$0
<b>UX</b>	walnut on cherry <input type="checkbox"/> A	+\$0

### Step 4. Base Finish

<b>926</b>	black <input type="checkbox"/> A	+\$0
<b>BNZ</b>	bronze <input type="checkbox"/> A	+\$0
<b>CHR</b>	chrome <input type="checkbox"/> A	+\$0
<b>EH</b>	metallic bronze <input type="checkbox"/> A	+\$0
<b>MS</b>	metallic silver <input type="checkbox"/> A	+\$0
<b>SAC</b>	satin chrome <input type="checkbox"/> A	+\$0

# H-Frame Side Table

AWH2G  
AWH2S  
AWH2W



## Product Information

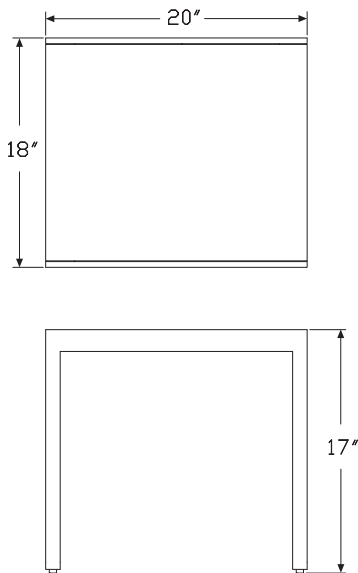
### Description

This side table has a wood top and metal base. The dimensions are 18" deep, 20" wide, and 17" high.

### Notes

Santos palisander veneer is celebrated for its unique grain and color variations. Similar products ordered in multiples or dissimilar products ordered separately should be expected to have variation in both grain and color characteristics; no two products will look exactly alike.

### Dimensions



HermanMiller Collection—Occasional Tables

## Specification Information

### Step 1.

**AWH2**

### Step 2. Top Material

- W** wood top
- G** glass top
- S** stone top

### Step 3. Dimensions

**-1820** 18" deep x 20" wide x 17" high side table

### Prices for Steps 1-3.

**AWH2W -1820** \$1886

**AWH2G -1820** \$1429

**AWH2S -1820** \$2498

### Step 4. Top Finish

#### Premium Veneer - Low Sheen

#### For wood top (W)

<b>931</b>	champagne anigre (natural) <input type="checkbox"/>	+\$342
<b>932</b>	sundance anigre <input type="checkbox"/>	+\$342
<b>933</b>	caramel anigre <input type="checkbox"/>	+\$342
<b>934</b>	henna anigre <input type="checkbox"/>	+\$342
<b>940</b>	sundance cherry on maple <input type="checkbox"/>	+\$0
<b>941</b>	natural beech <input type="checkbox"/>	+\$0
<b>942</b>	sundance cherry (natural) <input type="checkbox"/>	+\$0
<b>943</b>	caramel cherry <input type="checkbox"/>	+\$0
<b>946</b>	cocoa cherry <input type="checkbox"/>	+\$0
<b>951</b>	natural anigre <input type="checkbox"/>	+\$755
<b>956</b>	cocoa sapele <input type="checkbox"/>	+\$0
<b>962</b>	toasted walnut, low sheen <input type="checkbox"/>	+\$0
<b>963</b>	charred walnut, low sheen <input type="checkbox"/>	+\$0
<b>964</b>	bronzed walnut, low sheen <input type="checkbox"/>	+\$0
<b>965</b>	smoked walnut, low sheen <input type="checkbox"/>	+\$0
<b>966</b>	coffee walnut, low sheen <input type="checkbox"/>	+\$0
<b>967</b>	smoked paldao, low sheen <input type="checkbox"/>	+\$283
<b>969</b>	warm paldao, low sheen <input type="checkbox"/>	+\$283
<b>972</b>	sundance walnut <input type="checkbox"/>	+\$0
<b>977</b>	chocolate ash, low sheen <input type="checkbox"/>	+\$0
<b>978</b>	natural oak <input type="checkbox"/>	+\$0
<b>981</b>	champagne hickory (natural) <input type="checkbox"/>	+\$0
<b>98R</b>	recograin rosewood <input type="checkbox"/>	+\$0
<b>991</b>	champagne ash <input type="checkbox"/>	+\$0

## H-Frame Side Table *continued*

<b>998</b>	ebony ash <span style="border: 1px solid black; padding: 0 2px;">A</span>	+\$0
<b>99A</b>	recograin frosty ash <span style="border: 1px solid black; padding: 0 2px;">A</span>	+\$0
<b>99R</b>	recograin rosewood <span style="border: 1px solid black; padding: 0 2px;">A</span>	+\$0
<b>99T</b>	recograin teak <span style="border: 1px solid black; padding: 0 2px;">A</span>	+\$0
<b>9A1</b>	white ash, quarter cut, low sheen <span style="border: 1px solid black; padding: 0 2px;">A</span>	+\$0
<b>9K1</b>	rift oak, rift cut, low sheen <span style="border: 1px solid black; padding: 0 2px;">A</span>	+\$0
<b>9K6</b>	burnt oak, rift cut, low sheen <span style="border: 1px solid black; padding: 0 2px;">A</span>	+\$0
<b>ED</b>	aged cherry <span style="border: 1px solid black; padding: 0 2px;">A</span>	+\$0
<b>EK</b>	medium red walnut <span style="border: 1px solid black; padding: 0 2px;">A</span>	+\$0
<b>G2U</b>	light brown walnut, low sheen <span style="border: 1px solid black; padding: 0 2px;">A</span>	+\$0
<b>G40</b>	dark brown walnut, low sheen <span style="border: 1px solid black; padding: 0 2px;">A</span>	+\$0
<b>UL</b>	natural maple <span style="border: 1px solid black; padding: 0 2px;">A</span>	+\$0
<b>UX</b>	walnut on cherry <span style="border: 1px solid black; padding: 0 2px;">A</span>	+\$0

### Premium Veneer - Matte

#### *For wood top (W)*

<b>662</b>	toasted walnut, matte sheen <span style="border: 1px solid black; padding: 0 2px;">A</span>	+\$0
<b>663</b>	charred walnut, matte sheen <span style="border: 1px solid black; padding: 0 2px;">A</span>	+\$0
<b>664</b>	bronzed walnut, matte sheen <span style="border: 1px solid black; padding: 0 2px;">A</span>	+\$0
<b>665</b>	smoked walnut, matte sheen <span style="border: 1px solid black; padding: 0 2px;">A</span>	+\$0
<b>666</b>	coffee walnut, matte sheen <span style="border: 1px solid black; padding: 0 2px;">A</span>	+\$0
<b>667</b>	smoked paldao, quarter cut, matte sheen <span style="border: 1px solid black; padding: 0 2px;">A</span>	+\$283
<b>669</b>	warm paldao, quarter cut, matte sheen <span style="border: 1px solid black; padding: 0 2px;">A</span>	+\$283
<b>66A</b>	recograin frosty ash <span style="border: 1px solid black; padding: 0 2px;">A</span>	+\$0
<b>677</b>	chocolate ash, matte sheen <span style="border: 1px solid black; padding: 0 2px;">A</span>	+\$0
<b>678</b>	natural oak <span style="border: 1px solid black; padding: 0 2px;">A</span>	+\$0
<b>68R</b>	recograin rosewood <span style="border: 1px solid black; padding: 0 2px;">A</span>	+\$0
<b>69A</b>	recograin frosty ash <span style="border: 1px solid black; padding: 0 2px;">A</span>	+\$0
<b>69R</b>	recograin rosewood <span style="border: 1px solid black; padding: 0 2px;">A</span>	+\$0
<b>69T</b>	recograin teak <span style="border: 1px solid black; padding: 0 2px;">A</span>	+\$0
<b>6A1</b>	white ash <span style="border: 1px solid black; padding: 0 2px;">A</span>	+\$0
<b>6K1</b>	rift oak <span style="border: 1px solid black; padding: 0 2px;">A</span>	+\$0
<b>6K6</b>	burnt oak <span style="border: 1px solid black; padding: 0 2px;">A</span>	+\$0
<b>ET</b>	clear on ash <span style="border: 1px solid black; padding: 0 2px;">A</span>	+\$0
<b>EU</b>	oak on ash <span style="border: 1px solid black; padding: 0 2px;">A</span>	+\$0
<b>EV</b>	walnut on ash <span style="border: 1px solid black; padding: 0 2px;">A</span>	+\$0
<b>GOU</b>	natural walnut, flat cut, matte sheen <span style="border: 1px solid black; padding: 0 2px;">A</span>	+\$0

### RecoGrain Veneer

#### *For wood top (W)*

<b>66G</b>	recograin wenge <span style="border: 1px solid black; padding: 0 2px;">A</span>	-\$95
<b>68W</b>	recograin walnut, flat cut, matte sheen <span style="border: 1px solid black; padding: 0 2px;">A</span>	-\$95
<b>69G</b>	recograin wenge <span style="border: 1px solid black; padding: 0 2px;">A</span>	-\$95
<b>69K</b>	recograin oak, quarter cut, matte sheen <span style="border: 1px solid black; padding: 0 2px;">A</span>	-\$95
<b>69W</b>	recograin walnut, quarter cut, matte sheen <span style="border: 1px solid black; padding: 0 2px;">A</span>	-\$95

### Recon Veneer -

#### *For wood top (W)*

<b>96G</b>	wenge recograin, quarter cut, low sheen <span style="border: 1px solid black; padding: 0 2px;">A</span>	-\$95
<b>98W</b>	recograin walnut, flat cut, low sheen <span style="border: 1px solid black; padding: 0 2px;">A</span>	-\$95
<b>99G</b>	recograin wenge, quarter cut, low sheen <span style="border: 1px solid black; padding: 0 2px;">A</span>	-\$95
<b>99K</b>	recograin oak, quarter cut, low sheen <span style="border: 1px solid black; padding: 0 2px;">A</span>	-\$95
<b>99W</b>	recograin walnut, quarter cut, low sheen <span style="border: 1px solid black; padding: 0 2px;">A</span>	-\$95

### Glass

#### *For glass top (G)*

<b>CGL</b>	clear glass <span style="border: 1px solid black; padding: 0 2px;">A</span>	+\$0
<b>GE1</b>	etched glass <span style="border: 1px solid black; padding: 0 2px;">A</span>	+\$127

#### *For stone top (S)*

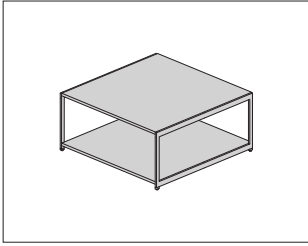
<b>200</b>	perfato marble <span style="border: 1px solid black; padding: 0 2px;">A</span>	+\$0
<b>250</b>	verde antique marble <span style="border: 1px solid black; padding: 0 2px;">A</span>	+\$0
<b>400</b>	black granite <span style="border: 1px solid black; padding: 0 2px;">A</span>	+\$0
<b>5U</b>	georgia grey marble <span style="border: 1px solid black; padding: 0 2px;">A</span>	+\$0
<b>800</b>	autumn brown granite <span style="border: 1px solid black; padding: 0 2px;">A</span>	+\$0
<b>960</b>	white carrara marble <span style="border: 1px solid black; padding: 0 2px;">A</span>	+\$0
<b>HR</b>	wisconsin black marble <span style="border: 1px solid black; padding: 0 2px;">A</span>	+\$0

### Step 5. Metal Finish

<b>BNZ</b>	bronze <span style="border: 1px solid black; padding: 0 2px;">A</span>	+\$0
<b>CHR</b>	chrome <span style="border: 1px solid black; padding: 0 2px;">A</span>	+\$0
<b>SAC</b>	satin chrome <span style="border: 1px solid black; padding: 0 2px;">A</span>	+\$0

# H-Frame Coffee Table

AWH2G  
AWH2S  
AWH2W



HermanMiller Collection—Occasional Tables

## Product Information

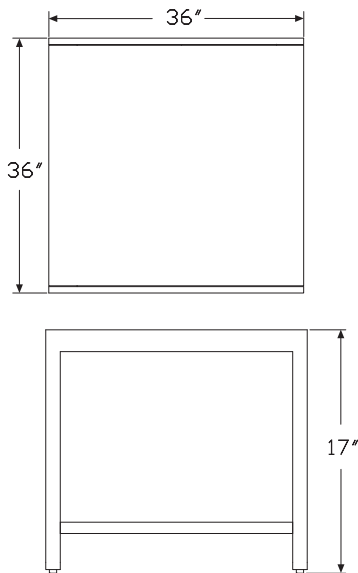
### Description

This coffee table has a wood top and metal base. The dimensions are 36" deep, 36" wide, and 17" high.

### Notes

Santos palisander veneer is celebrated for its unique grain and color variations. Similar products ordered in multiples or dissimilar products ordered separately should be expected to have variation in both grain and color characteristics; no two products will look exactly alike.

### Dimensions



## Specification Information

### Step 1.

**AWH2**

### Step 2. Top Material

- W** wood top
- G** glass top
- S** stone top

### Step 3. Dimensions

**-3636** 36" deep x 36" wide x 17" high coffee table

### Prices for Steps 1-3.

**AWH2W -3636** \$3214

**AWH2G -3636** \$3055

**AWH2S -3636** \$6528

### Step 4. Top Finish

#### For wood top (W)

<b>931</b>	champagne anigre (natural) <input type="checkbox"/>	+\$587
<b>932</b>	sundance anigre <input type="checkbox"/>	+\$587
<b>933</b>	caramel anigre <input type="checkbox"/>	+\$587
<b>934</b>	henna anigre <input type="checkbox"/>	+\$587
<b>941</b>	natural beech <input type="checkbox"/>	+\$0
<b>942</b>	sundance cherry (natural) <input type="checkbox"/>	+\$0
<b>943</b>	caramel cherry <input type="checkbox"/>	+\$0
<b>946</b>	cocoa cherry <input type="checkbox"/>	+\$0
<b>951</b>	natural anigre <input type="checkbox"/>	+\$1368
<b>956</b>	cocoa sapele <input type="checkbox"/>	+\$0
<b>962</b>	toasted walnut, low sheen <input type="checkbox"/>	+\$0
<b>963</b>	charred walnut, low sheen <input type="checkbox"/>	+\$0
<b>964</b>	bronzed walnut, low sheen <input type="checkbox"/>	+\$0
<b>965</b>	smoked walnut, low sheen <input type="checkbox"/>	+\$0
<b>966</b>	coffee walnut, low sheen <input type="checkbox"/>	+\$0
<b>967</b>	smoked paldao, low sheen <input type="checkbox"/>	+\$513
<b>969</b>	warm paldao, low sheen <input type="checkbox"/>	+\$513
<b>972</b>	sundance walnut <input type="checkbox"/>	+\$0
<b>977</b>	chocolate ash, low sheen <input type="checkbox"/>	+\$0
<b>978</b>	natural oak <input type="checkbox"/>	+\$0
<b>981</b>	champagne hickory (natural) <input type="checkbox"/>	+\$0
<b>98R</b>	recograin rosewood <input type="checkbox"/>	+\$0
<b>991</b>	champagne ash <input type="checkbox"/>	+\$0
<b>998</b>	ebony ash <input type="checkbox"/>	+\$0
<b>99A</b>	recograin frosty ash <input type="checkbox"/>	+\$0

## H-Frame Coffee Table *continued*

<b>99R</b>	recograin rosewood <span>A</span>	+\$0
<b>99T</b>	recograin teak <span>A</span>	+\$0
<b>9A1</b>	white ash, quarter cut, low sheen <span>A</span>	+\$0
<b>9K1</b>	rift oak, rift cut, low sheen <span>A</span>	+\$0
<b>9K6</b>	burnt oak, rift cut, low sheen <span>A</span>	+\$0
<b>ED</b>	aged cherry <span>A</span>	+\$0
<b>EK</b>	medium red walnut <span>A</span>	+\$0
<b>G2U</b>	light brown walnut, low sheen <span>A</span>	+\$0
<b>G40</b>	dark brown walnut, low sheen <span>A</span>	+\$0
<b>UX</b>	walnut on cherry <span>A</span>	+\$0

### *For wood top (W)*

<b>662</b>	toasted walnut, matte sheen <span>A</span>	+\$0
<b>663</b>	charred walnut, matte sheen <span>A</span>	+\$0
<b>664</b>	bronzed walnut, matte sheen <span>A</span>	+\$0
<b>665</b>	smoked walnut, matte sheen <span>A</span>	+\$0
<b>666</b>	coffee walnut, matte sheen <span>A</span>	+\$0
<b>667</b>	smoked paldao, quarter cut, matte sheen <span>A</span>	+\$513
<b>669</b>	warm paldao, quarter cut, matte sheen <span>A</span>	+\$513
<b>66A</b>	recograin frosty ash <span>A</span>	+\$0
<b>677</b>	chocolate ash, matte sheen <span>A</span>	+\$0
<b>678</b>	natural oak <span>A</span>	+\$0
<b>68R</b>	recograin rosewood <span>A</span>	+\$0
<b>69A</b>	recograin frosty ash <span>A</span>	+\$0
<b>69R</b>	recograin rosewood <span>A</span>	+\$0
<b>69T</b>	recograin teak <span>A</span>	+\$0
<b>6A1</b>	white ash <span>A</span>	+\$0
<b>6K1</b>	rift oak <span>A</span>	+\$0
<b>6K6</b>	burnt oak <span>A</span>	+\$0
<b>ET</b>	clear on ash <span>A</span>	+\$0
<b>EU</b>	oak on ash <span>A</span>	+\$0
<b>EV</b>	walnut on ash <span>A</span>	+\$0
<b>GOU</b>	natural walnut, flat cut, matte sheen <span>A</span>	+\$0

### *For wood top (W)*

<b>66G</b>	recograin wenge <span>A</span>	-\$171
<b>68W</b>	recograin walnut, flat cut, matte sheen <span>A</span>	-\$171
<b>69G</b>	recograin wenge <span>A</span>	-\$171
<b>69K</b>	recograin oak, quarter cut, matte sheen <span>A</span>	-\$171
<b>69W</b>	recograin walnut, quarter cut, matte sheen <span>A</span>	-\$171

### *For wood top (W)*

<b>96G</b>	wenge recograin, quarter cut, low sheen <span>A</span>	-\$171
<b>98W</b>	recograin walnut, flat cut, low sheen <span>A</span>	-\$171
<b>99G</b>	recograin wenge, quarter cut, low sheen <span>A</span>	-\$171
<b>99K</b>	recograin oak, quarter cut, low sheen <span>A</span>	-\$171
<b>99W</b>	recograin walnut, quarter cut, low sheen <span>A</span>	-\$171

### Glass

#### *For glass top (G)*

<b>CGL</b>	clear glass <span>A</span>	+\$0
<b>GE1</b>	etched glass <span>A</span>	+\$127

### Stone

#### *For stone top (S)*

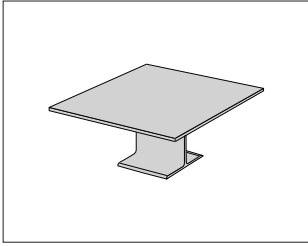
<b>200</b>	perfato marble <span>A</span>	+\$0
<b>250</b>	verde antique marble <span>A</span>	+\$0
<b>400</b>	black granite <span>A</span>	+\$0
<b>5U</b>	georgia grey marble <span>A</span>	+\$0
<b>800</b>	autumn brown granite <span>A</span>	+\$0
<b>960</b>	white carrara marble <span>A</span>	+\$0
<b>HR</b>	wisconsin black marble <span>A</span>	+\$0

### Step 5. Metal Finish

<b>BNZ</b>	bronze <span>A</span>	+\$0
<b>CHR</b>	chrome <span>A</span>	+\$0
<b>SAC</b>	satin chrome <span>A</span>	+\$0

# I-Beam Coffee Table

AWB2G  
AWB2M

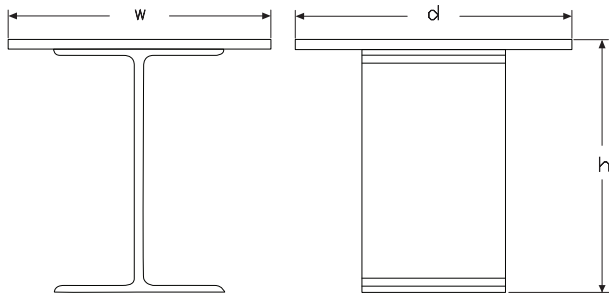


## Product Information

### Description

This coffee table has an aluminum base and glass top.

### Dimensions



HermanMiller Collection—Occasional Tables

## Specification Information

### Step 1.

AWB  A

### Step 2. Table Type

2 coffee table  A

### Step 3. Top Material

M marble top  A

G glass top  A

### Step 4. Size

#### For coffee table (2) with glass top (G)

-363615 36" deep x 36" wide x 15 1/4" high  A

-404015 40" deep x 40" wide x 15 1/4" high  A

#### For coffee table (2) with marble top (M)

-363616 36" deep x 36" wide x 16 " high  A

-404016 40" deep x 40" wide x 16 " high  A

### Prices for Steps 1-4.

AWB2M	-363616	\$5740
	-404016	\$6235

AWB2G	-363615	\$2933
	-404015	\$3107

### Step 5. Top Finish

#### For marble top (M)

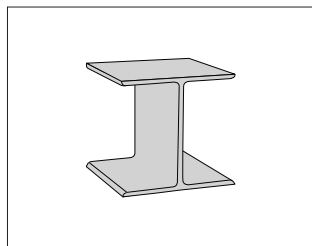
200	perfato marble <input type="checkbox"/> A	+\$0
250	verde antique marble <input type="checkbox"/> A	+\$0
400	black granite <input type="checkbox"/> A	+\$0
5U	georgia grey marble <input type="checkbox"/> A	+\$0
800	autumn brown granite <input type="checkbox"/> A	+\$0
960	white carrara marble <input type="checkbox"/> A	+\$0
HR	wisconsin black marble <input type="checkbox"/> A	+\$0

#### For glass top (G)

CGL	3/4" thick clear glass <input type="checkbox"/> A	+\$0
-----	---	------

# I-Beam Side Table

AWB1Z

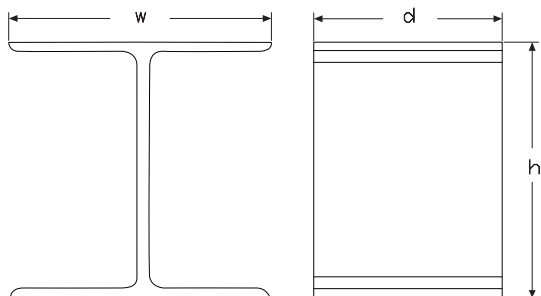


### Product Information

#### Description

This side table has an aluminum base and no top.

#### Dimensions



### Specification Information

#### Step 1.

**AWB**  A

#### Step 2. Table Type

**1** side table  A

#### Step 3. Top Material

**Z** no top  A

#### Step 4. Size

**-161615** 16" deep x 16" wide x 14 1/2" high  A

**-181815** 18" deep x 18" wide x 14 1/2" high  A

#### Prices for Steps 1-4.

<b>AWB1Z</b>	<b>-161615</b>	\$2036
	<b>-181815</b>	\$2292

# Girard Hexagonal Table

66353



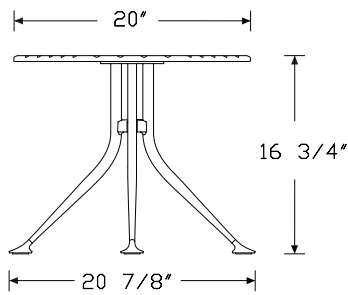
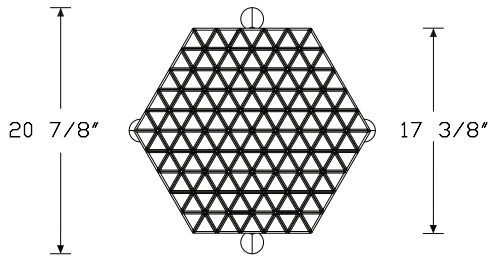
### Product Information

**Description**  
This polished aluminum table has a 6-sided top and a splayed-leg base. The top is inscribed with a 3-dimensional pattern of triangles, giving it a unique textural feel. Legs have nonadjustable nylon glides.

### Specification Information

Step 1.  
**66353** [A] \$912

### Dimensions

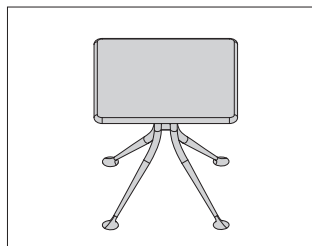


HermanMiller Collection—Occasional Tables



# Girard Splayed Leg Table

66356

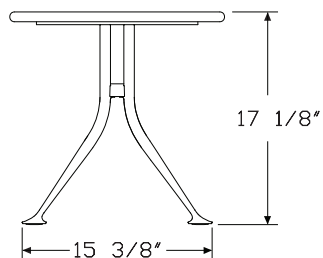
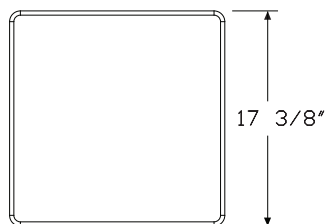


### Product Information

#### Description

This table has a marble top and a polished aluminum splayed-leg base. Legs have nonadjustable nylon glides.

#### Dimensions



### Specification Information

#### Step 1.

**66356** [A] \$2883

#### Step 2. Base Finish

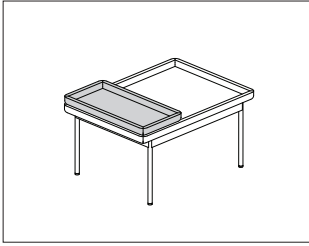
**L** polished aluminum [A] +\$0

#### Step 3. Top Material Finish

**HR** wisconsin black marble [A] +\$556

HermanMiller Collection—Occasional Tables

Tuxedo Component Lounge Tables AXT3-  
Tray

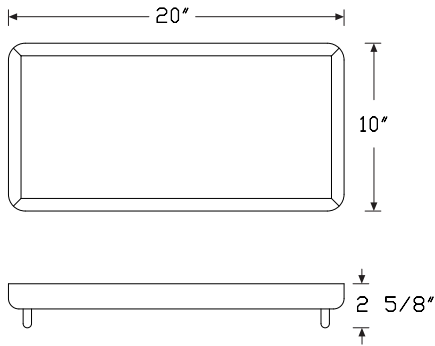


**Product Information**

Description

This tray comes in solid ash or walnut.

Dimensions



HermanMiller Collection—Occasional Tables

**Specification Information**

Step 1.

**AXT3**

Step 2. Depth

**-10** 10" deep

Step 3. Width

**20** 20" wide

Prices for Steps 1-3.

**AXT3-10 20** \$755

Step 4. Wood Finish

Matte Finishes

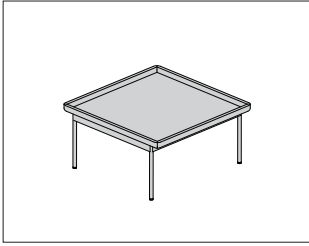
<b>662</b>	toasted walnut, matte sheen <input type="checkbox"/>	+\$0
<b>663</b>	charred walnut, matte sheen <input type="checkbox"/>	+\$0
<b>664</b>	bronzed walnut, matte sheen <input type="checkbox"/>	+\$0
<b>665</b>	smoked walnut, matte sheen <input type="checkbox"/>	+\$0
<b>666</b>	coffee walnut, matte sheen <input type="checkbox"/>	+\$0
<b>667</b>	smoked paldao, quarter cut, matte sheen <input type="checkbox"/>	+\$0
<b>669</b>	warm paldao, quarter cut, matte sheen <input type="checkbox"/>	+\$0
<b>66A</b>	recograin frosty ash <input type="checkbox"/>	+\$0
<b>677</b>	chocolate ash, matte sheen <input type="checkbox"/>	+\$0
<b>68R</b>	recograin rosewood <input type="checkbox"/>	+\$0
<b>69A</b>	recograin frosty ash <input type="checkbox"/>	+\$0
<b>69R</b>	recograin rosewood <input type="checkbox"/>	+\$0
<b>69T</b>	recograin teak <input type="checkbox"/>	+\$0
<b>6K1</b>	rift oak <input type="checkbox"/>	+\$0
<b>ET</b>	clear on ash <input type="checkbox"/>	+\$0
<b>EU</b>	oak on ash <input type="checkbox"/>	+\$0
<b>EV</b>	walnut on ash <input type="checkbox"/>	+\$0
<b>GOU</b>	natural walnut, flat cut, matte sheen <input type="checkbox"/>	+\$0
<b>6A1</b>	white ash <input type="checkbox"/>	+\$0
<b>6K6</b>	burnt oak <input type="checkbox"/>	+\$0
<b>932</b>	sundance anigre <input type="checkbox"/>	+\$0
<b>933</b>	caramel anigre <input type="checkbox"/>	+\$0
<b>934</b>	henna anigre <input type="checkbox"/>	+\$0
<b>940</b>	sundance cherry on maple <input type="checkbox"/>	+\$0
<b>962</b>	toasted walnut, low sheen <input type="checkbox"/>	+\$0
<b>963</b>	charred walnut, low sheen <input type="checkbox"/>	+\$0
<b>964</b>	bronzed walnut, low sheen <input type="checkbox"/>	+\$0
<b>965</b>	smoked walnut, low sheen <input type="checkbox"/>	+\$0
<b>966</b>	coffee walnut, low sheen <input type="checkbox"/>	+\$0
<b>967</b>	smoked paldao, low sheen <input type="checkbox"/>	+\$0
<b>969</b>	warm paldao, low sheen <input type="checkbox"/>	+\$0

# Tuxedo Component Lounge Tables

## Tray *continued*

<b>972</b>	sundance walnut <span style="border: 1px solid black; padding: 0 2px;">A</span>	+\$0
<b>977</b>	chocolate ash, low sheen <span style="border: 1px solid black; padding: 0 2px;">A</span>	+\$0
<b>98R</b>	recograin rosewood <span style="border: 1px solid black; padding: 0 2px;">A</span>	+\$0
<b>991</b>	champagne ash <span style="border: 1px solid black; padding: 0 2px;">A</span>	+\$0
<b>99A</b>	recograin frosty ash <span style="border: 1px solid black; padding: 0 2px;">A</span>	+\$0
<b>99R</b>	recograin rosewood <span style="border: 1px solid black; padding: 0 2px;">A</span>	+\$0
<b>99T</b>	recograin teak <span style="border: 1px solid black; padding: 0 2px;">A</span>	+\$0
<b>9A1</b>	white ash, quarter cut, low sheen <span style="border: 1px solid black; padding: 0 2px;">A</span>	+\$0
<b>9K1</b>	rift oak, rift cut, low sheen <span style="border: 1px solid black; padding: 0 2px;">A</span>	+\$0
<b>9K6</b>	burnt oak, rift cut, low sheen <span style="border: 1px solid black; padding: 0 2px;">A</span>	+\$0
<b>G2U</b>	light brown walnut, low sheen <span style="border: 1px solid black; padding: 0 2px;">A</span>	+\$0
<b>G40</b>	dark brown walnut, low sheen <span style="border: 1px solid black; padding: 0 2px;">A</span>	+\$0
<b>UX</b>	walnut on cherry <span style="border: 1px solid black; padding: 0 2px;">A</span>	+\$0
<b>943</b>	caramel cherry <span style="border: 1px solid black; padding: 0 2px;">A</span>	+\$0
<b>946</b>	cocoa cherry <span style="border: 1px solid black; padding: 0 2px;">A</span>	+\$0
<b>956</b>	cocoa sapele <span style="border: 1px solid black; padding: 0 2px;">A</span>	+\$0
<b>998</b>	ebony ash <span style="border: 1px solid black; padding: 0 2px;">A</span>	+\$0
<b>ED</b>	aged cherry <span style="border: 1px solid black; padding: 0 2px;">A</span>	+\$0
<b>EK</b>	medium red walnut <span style="border: 1px solid black; padding: 0 2px;">A</span>	+\$0
<b>66G</b>	recograin wenge <span style="border: 1px solid black; padding: 0 2px;">A</span>	+\$0
<b>68W</b>	recograin walnut, flat cut, matte sheen <span style="border: 1px solid black; padding: 0 2px;">A</span>	+\$0
<b>69G</b>	recograin wenge <span style="border: 1px solid black; padding: 0 2px;">A</span>	+\$0
<b>69W</b>	recograin walnut, quarter cut, matte sheen <span style="border: 1px solid black; padding: 0 2px;">A</span>	+\$0
<b>96G</b>	wenge recograin, quarter cut, low sheen <span style="border: 1px solid black; padding: 0 2px;">A</span>	+\$0
<b>98W</b>	recograin walnut, flat cut, low sheen <span style="border: 1px solid black; padding: 0 2px;">A</span>	+\$0
<b>99G</b>	recograin wenge, quarter cut, low sheen <span style="border: 1px solid black; padding: 0 2px;">A</span>	+\$0
<b>99W</b>	recograin walnut, quarter cut, low sheen <span style="border: 1px solid black; padding: 0 2px;">A</span>	+\$0

# Tuxedo Component Lounge Tables AXW2-Square

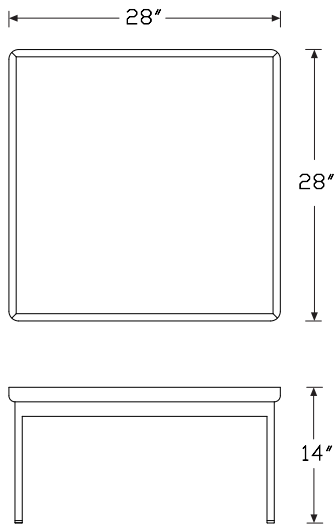


## Product Information

### Description

This square table has a steel plated metal base with a solid ash or walnut top 1½" thick.

### Dimensions



HermanMiller Collection—Occasional Tables

## Specification Information

### Step 1.

**AXW2**

### Step 2. Depth

**-28** 28" deep

### Step 3. Width

**28** 28" wide

### Prices for Steps 1-3.

**AXW2-28 28** \$1581

### Step 4. Wood Finish

#### Matte Finishes

<b>662</b>	toasted walnut, matte sheen <input type="checkbox"/>	+\$0
<b>663</b>	charred walnut, matte sheen <input type="checkbox"/>	+\$0
<b>664</b>	bronzed walnut, matte sheen <input type="checkbox"/>	+\$0
<b>665</b>	smoked walnut, matte sheen <input type="checkbox"/>	+\$0
<b>666</b>	coffee walnut, matte sheen <input type="checkbox"/>	+\$0
<b>667</b>	smoked paldao, quarter cut, matte sheen <input type="checkbox"/>	+\$0
<b>669</b>	warm paldao, quarter cut, matte sheen <input type="checkbox"/>	+\$0
<b>66A</b>	frosty ash recograin, quarter cut, matte sheen <input type="checkbox"/>	+\$0
<b>677</b>	chocolate ash, matte sheen <input type="checkbox"/>	+\$0
<b>68R</b>	recograin rosewood <input type="checkbox"/>	+\$0
<b>69A</b>	recograin frosty ash <input type="checkbox"/>	+\$0
<b>69R</b>	recograin rosewood <input type="checkbox"/>	+\$0
<b>69T</b>	recograin teak <input type="checkbox"/>	+\$0
<b>6K1</b>	rift oak <input type="checkbox"/>	+\$0
<b>ET</b>	clear on ash <input type="checkbox"/>	+\$0
<b>EU</b>	oak on ash <input type="checkbox"/>	+\$0
<b>EV</b>	walnut on ash <input type="checkbox"/>	+\$0
<b>GOU</b>	natural walnut, flat cut, matte sheen <input type="checkbox"/>	+\$0
<b>6A1</b>	white ash <input type="checkbox"/>	+\$0
<b>6K6</b>	burnt oak <input type="checkbox"/>	+\$0

# Tuxedo Component Lounge Tables

## Square *continued*

### Premium Veneer - Low Sheen

<b>932</b>	sundance anigre <input type="checkbox"/>	+\$0
<b>933</b>	caramel anigre <input type="checkbox"/>	+\$0
<b>934</b>	henna anigre <input type="checkbox"/>	+\$0
<b>940</b>	sundance cherry on maple <input type="checkbox"/>	+\$0
<b>962</b>	toasted walnut, low sheen <input type="checkbox"/>	+\$0
<b>963</b>	charred walnut, low sheen <input type="checkbox"/>	+\$0
<b>964</b>	bronzed walnut, low sheen <input type="checkbox"/>	+\$0
<b>965</b>	smoked walnut, low sheen <input type="checkbox"/>	+\$0
<b>966</b>	coffee walnut, low sheen <input type="checkbox"/>	+\$0
<b>967</b>	smoked paldao, low sheen <input type="checkbox"/>	+\$0
<b>969</b>	warm paldao, low sheen <input type="checkbox"/>	+\$0
<b>972</b>	sundance walnut <input type="checkbox"/>	+\$0
<b>977</b>	chocolate ash, low sheen <input type="checkbox"/>	+\$0
<b>98R</b>	recograin rosewood <input type="checkbox"/>	+\$0
<b>991</b>	champagne ash <input type="checkbox"/>	+\$0
<b>99A</b>	recograin frosty ash <input type="checkbox"/>	+\$0
<b>99R</b>	recograin rosewood <input type="checkbox"/>	+\$0
<b>99T</b>	recograin teak <input type="checkbox"/>	+\$0
<b>9A1</b>	white ash, quarter cut, low sheen <input type="checkbox"/>	+\$0
<b>9K1</b>	rift oak, rift cut, low sheen <input type="checkbox"/>	+\$0
<b>9K6</b>	burnt oak, rift cut, low sheen <input type="checkbox"/>	+\$0
<b>G2U</b>	light brown walnut, low sheen <input type="checkbox"/>	+\$0
<b>G40</b>	dark brown walnut, low sheen <input type="checkbox"/>	+\$0
<b>UX</b>	walnut on cherry <input type="checkbox"/>	+\$0
<b>943</b>	caramel cherry <input type="checkbox"/>	+\$0
<b>946</b>	cocoa cherry <input type="checkbox"/>	+\$0
<b>956</b>	cocoa sapele <input type="checkbox"/>	+\$0
<b>998</b>	ebony ash <input type="checkbox"/>	+\$0
<b>ED</b>	aged cherry <input type="checkbox"/>	+\$0
<b>EK</b>	medium red walnut <input type="checkbox"/>	+\$0

### RecoGrain Veneer

<b>66G</b>	recograin wenge <input type="checkbox"/>	+\$0
<b>68W</b>	recograin walnut, flat cut, matte sheen <input type="checkbox"/>	+\$0
<b>69G</b>	recograin wenge <input type="checkbox"/>	+\$0
<b>69W</b>	recograin walnut, quarter cut, matte sheen <input type="checkbox"/>	+\$0

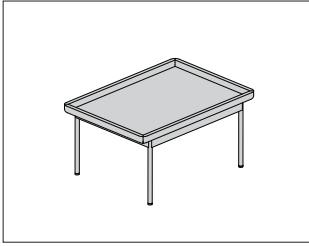
### Recon Veneer -

<b>96G</b>	wenge recograin, quarter cut, low sheen <input type="checkbox"/>	+\$0
<b>98W</b>	recograin walnut, flat cut, low sheen <input type="checkbox"/>	+\$0
<b>99G</b>	recograin wenge, quarter cut, low sheen <input type="checkbox"/>	+\$0
<b>99W</b>	recograin walnut, quarter cut, low sheen <input type="checkbox"/>	+\$0

### Step 5. Base Finish

<b>926</b>	black <input type="checkbox"/>	+\$0
<b>AS</b>	arctic silver <input type="checkbox"/>	+\$0
<b>WHT</b>	white <input type="checkbox"/>	+\$0
<b>BNZ</b>	bronze <input type="checkbox"/>	+\$295
<b>CHR</b>	chrome <input type="checkbox"/>	+\$295
<b>SAC</b>	satin chrome <input type="checkbox"/>	+\$295

# Tuxedo Component Lounge Tables AXW3-Rectangular



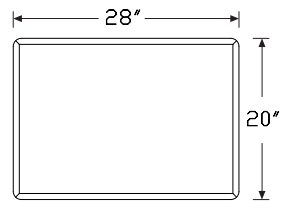
Herman Miller Collection—Occasional Tables

## Product Information

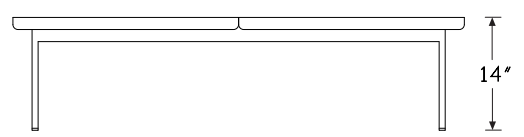
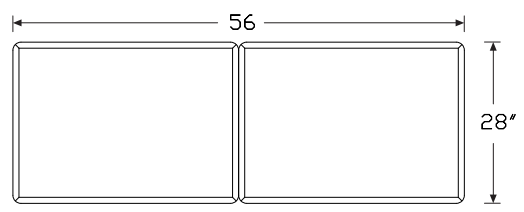
### Description

This rectangular table has a steel plated metal base with a 1-piece or 2-piece solid ash or walnut top 1 1/2" thick.

### Dimensions



Tuxedo One Piece Table



Tuxedo Two Piece Tables

## Specification Information

### Step 1.

**AXW3**

### Step 2. Depth

- 20 20" deep
- 28 28" deep

### Step 3. Width

*For 20" deep (-20)*

**28** 28" wide, one piece

*For 28" deep (-28)*

**56** 56" wide, two pieces

### Prices for Steps 1-3.

<b>AXW3-20 28</b>	\$1403
<b>AXW3-28 56</b>	\$2642

### Step 4. Wood Finish

#### Matte Finishes

<b>662</b>	toasted walnut, matte sheen <input type="checkbox"/>	+\$0
<b>663</b>	charred walnut, matte sheen <input type="checkbox"/>	+\$0
<b>664</b>	bronzed walnut, matte sheen <input type="checkbox"/>	+\$0
<b>665</b>	smoked walnut, matte sheen <input type="checkbox"/>	+\$0
<b>666</b>	coffee walnut, matte sheen <input type="checkbox"/>	+\$0
<b>667</b>	smoked paldao, quarter cut, matte sheen <input type="checkbox"/>	+\$0
<b>669</b>	warm paldao, quarter cut, matte sheen <input type="checkbox"/>	+\$0
<b>66A</b>	recograin frosty ash <input type="checkbox"/>	+\$0
<b>677</b>	chocolate ash, matte sheen <input type="checkbox"/>	+\$0
<b>68R</b>	recograin rosewood <input type="checkbox"/>	+\$0
<b>69A</b>	recograin frosty ash <input type="checkbox"/>	+\$0
<b>69R</b>	recograin rosewood <input type="checkbox"/>	+\$0
<b>69T</b>	recograin teak <input type="checkbox"/>	+\$0
<b>6K1</b>	rift oak <input type="checkbox"/>	+\$0
<b>ET</b>	clear on ash <input type="checkbox"/>	+\$0
<b>EU</b>	oak on ash <input type="checkbox"/>	+\$0
<b>EV</b>	walnut on ash <input type="checkbox"/>	+\$0
<b>GOU</b>	natural walnut, flat cut, matte sheen <input type="checkbox"/>	+\$0
<b>6A1</b>	white ash <input type="checkbox"/>	+\$0
<b>6K6</b>	burnt oak <input type="checkbox"/>	+\$0
<b>932</b>	sundance anigre <input type="checkbox"/>	+\$0
<b>933</b>	caramel anigre <input type="checkbox"/>	+\$0
<b>934</b>	henna anigre <input type="checkbox"/>	+\$0

# Tuxedo Component Lounge Tables

## Rectangular *continued*

<b>940</b>	sundance cherry on maple <input type="checkbox"/>	+\$0
<b>962</b>	toasted walnut, low sheen <input type="checkbox"/>	+\$0
<b>963</b>	charred walnut, low sheen <input type="checkbox"/>	+\$0
<b>964</b>	bronzed walnut, low sheen <input type="checkbox"/>	+\$0
<b>965</b>	smoked walnut, low sheen <input type="checkbox"/>	+\$0
<b>966</b>	coffee walnut, low sheen <input type="checkbox"/>	+\$0
<b>967</b>	smoked paldao, low sheen <input type="checkbox"/>	+\$0
<b>969</b>	warm paldao, low sheen <input type="checkbox"/>	+\$0
<b>972</b>	sundance walnut <input type="checkbox"/>	+\$0
<b>977</b>	chocolate ash, low sheen <input type="checkbox"/>	+\$0
<b>98R</b>	recograin rosewood <input type="checkbox"/>	+\$0
<b>991</b>	champagne ash <input type="checkbox"/>	+\$0
<b>99A</b>	recograin frosty ash <input type="checkbox"/>	+\$0
<b>99R</b>	recograin rosewood <input type="checkbox"/>	+\$0
<b>99T</b>	recograin teak <input type="checkbox"/>	+\$0
<b>9A1</b>	white ash, quarter cut, low sheen <input type="checkbox"/>	+\$0
<b>9K1</b>	rift oak, rift cut, low sheen <input type="checkbox"/>	+\$0
<b>9K6</b>	burnt oak, rift cut, low sheen <input type="checkbox"/>	+\$0
<b>G2U</b>	light brown walnut, low sheen <input type="checkbox"/>	+\$0
<b>G40</b>	dark brown walnut, low sheen <input type="checkbox"/>	+\$0
<b>UX</b>	walnut on cherry <input type="checkbox"/>	+\$0
<b>943</b>	caramel cherry <input type="checkbox"/>	+\$0
<b>946</b>	cocoa cherry <input type="checkbox"/>	+\$0
<b>956</b>	cocoa sapele <input type="checkbox"/>	+\$0
<b>998</b>	ebony ash <input type="checkbox"/>	+\$0
<b>ED</b>	aged cherry <input type="checkbox"/>	+\$0
<b>EK</b>	medium red walnut <input type="checkbox"/>	+\$0

### RecoGrain Veneer

<b>66G</b>	recograin wenge <input type="checkbox"/>	+\$0
<b>68W</b>	recograin walnut, flat cut, matte sheen <input type="checkbox"/>	+\$0
<b>69G</b>	recograin wenge <input type="checkbox"/>	+\$0
<b>69W</b>	recograin walnut, quarter cut, matte sheen <input type="checkbox"/>	+\$0

### Recon Veneer -

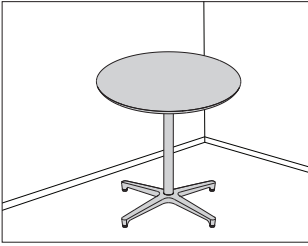
<b>96G</b>	wenge recograin, quarter cut, low sheen <input type="checkbox"/>	+\$0
<b>98W</b>	recograin walnut, flat cut, low sheen <input type="checkbox"/>	+\$0
<b>99G</b>	recograin wenge, quarter cut, low sheen <input type="checkbox"/>	+\$0
<b>99W</b>	recograin walnut, quarter cut, low sheen <input type="checkbox"/>	+\$0

### Step 5. Base Finish

		-2028	-2056	-2828	-2856
<b>926</b>	black <input type="checkbox"/>			+\$0	0
<b>AS</b>	arctic silver <input type="checkbox"/>			+\$0	0
<b>WHT</b>	white <input type="checkbox"/>			+\$0	0
<b>BNZ</b>	bronze <input type="checkbox"/>			+\$295	645
<b>CHR</b>	chrome <input type="checkbox"/>			+\$295	645
<b>SAC</b>	satin chrome <input type="checkbox"/>			+\$295	645

Saiba Table Wood Top

ASB1A  
ASB1W

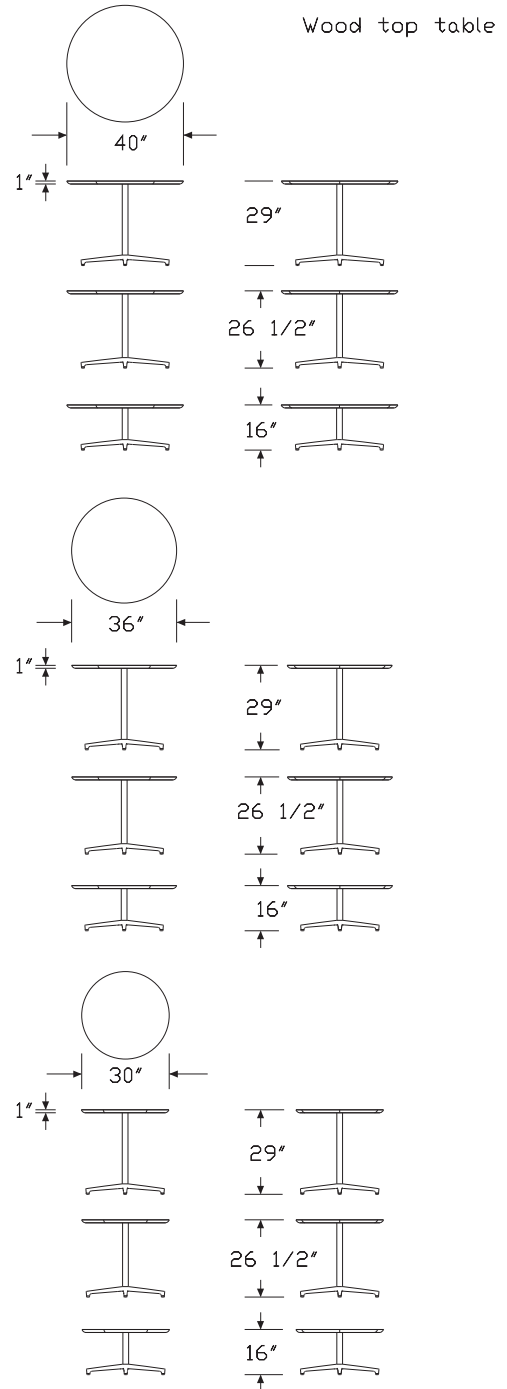


**Product Information**

**Description**  
This table has an aluminum base with a veneer top and is available in 3 heights and 3 top diameters.

HermanMiller Collection—Occasional Tables

**Dimensions**





**Specification Information**

Step 1.

**ASB1** A

Step 2. Top

**A-** ash A

**W-** walnut A

Step 3. Height

**16** 16" coffee table height A

**26** 26.5" work table height A

**29** 29" standard table height A

Step 4. Diameter

**30** 30" diameter wood top A

**36** 36" diameter wood top A

**40** 40" diameter wood top A

Prices for Steps 1-4.

		30	36	40
<b>ASB1A-</b>	<b>16</b>	\$1600	1750	1900
	<b>26</b>	\$1650	1800	1950
	<b>29</b>	\$1700	1850	2000
<b>ASB1W-</b>	<b>16</b>	\$1700	1850	2000
	<b>26</b>	\$1750	1900	2050
	<b>29</b>	\$1800	1950	2100

Step 5. Wood Finish

Low Sheen Finishes (on Ash)

*For ash (A-)*

<b>932</b>	sundance anigre <span style="border: 1px solid black; padding: 0 2px;">A</span>	+\$0
<b>933</b>	caramel anigre <span style="border: 1px solid black; padding: 0 2px;">A</span>	+\$0
<b>934</b>	henna anigre <span style="border: 1px solid black; padding: 0 2px;">A</span>	+\$0
<b>940</b>	sundance cherry on maple <span style="border: 1px solid black; padding: 0 2px;">A</span>	+\$0
<b>962</b>	toasted walnut, low sheen <span style="border: 1px solid black; padding: 0 2px;">A</span>	+\$0
<b>963</b>	charred walnut, low sheen <span style="border: 1px solid black; padding: 0 2px;">A</span>	+\$0
<b>964</b>	bronzed walnut, low sheen <span style="border: 1px solid black; padding: 0 2px;">A</span>	+\$0
<b>965</b>	smoked walnut, low sheen <span style="border: 1px solid black; padding: 0 2px;">A</span>	+\$0
<b>966</b>	coffee walnut, low sheen <span style="border: 1px solid black; padding: 0 2px;">A</span>	+\$0
<b>967</b>	smoked paldao, low sheen <span style="border: 1px solid black; padding: 0 2px;">A</span>	+\$0
<b>969</b>	warm paldao, low sheen <span style="border: 1px solid black; padding: 0 2px;">A</span>	+\$0
<b>977</b>	chocolate ash, low sheen <span style="border: 1px solid black; padding: 0 2px;">A</span>	+\$0
<b>98R</b>	recograin rosewood <span style="border: 1px solid black; padding: 0 2px;">A</span>	+\$0
<b>99A</b>	recograin frosty ash <span style="border: 1px solid black; padding: 0 2px;">A</span>	+\$0
<b>99G</b>	recograin wenge, quarter cut, low sheen <span style="border: 1px solid black; padding: 0 2px;">A</span>	+\$0
<b>99R</b>	recograin rosewood <span style="border: 1px solid black; padding: 0 2px;">A</span>	+\$0
<b>99T</b>	recograin teak <span style="border: 1px solid black; padding: 0 2px;">A</span>	+\$0
<b>9A1</b>	white ash, quarter cut, low sheen <span style="border: 1px solid black; padding: 0 2px;">A</span>	+\$0
<b>9K1</b>	rift oak, rift cut, low sheen <span style="border: 1px solid black; padding: 0 2px;">A</span>	+\$0
<b>9K6</b>	burnt oak, rift cut, low sheen <span style="border: 1px solid black; padding: 0 2px;">A</span>	+\$0
<b>EK</b>	medium red walnut <span style="border: 1px solid black; padding: 0 2px;">A</span>	+\$0
<b>G2U</b>	light brown walnut, low sheen <span style="border: 1px solid black; padding: 0 2px;">A</span>	+\$0
<b>G40</b>	dark brown walnut, low sheen <span style="border: 1px solid black; padding: 0 2px;">A</span>	+\$0
<b>UX</b>	walnut on cherry <span style="border: 1px solid black; padding: 0 2px;">A</span>	+\$0
<b>943</b>	caramel cherry <span style="border: 1px solid black; padding: 0 2px;">A</span>	+\$0
<b>946</b>	cocoa cherry <span style="border: 1px solid black; padding: 0 2px;">A</span>	+\$0
<b>956</b>	cocoa sapele <span style="border: 1px solid black; padding: 0 2px;">A</span>	+\$0
<b>991</b>	champagne ash <span style="border: 1px solid black; padding: 0 2px;">A</span>	+\$0
<b>998</b>	ebony ash <span style="border: 1px solid black; padding: 0 2px;">A</span>	+\$0
<b>ED</b>	aged cherry <span style="border: 1px solid black; padding: 0 2px;">A</span>	+\$0

Low Sheen Finishes (on Ash)

*For ash (A-)*

<b>98W</b>	recograin walnut, flat cut, low sheen <span style="border: 1px solid black; padding: 0 2px;">A</span>	+\$0
<b>99W</b>	recograin walnut, quarter cut, low sheen <span style="border: 1px solid black; padding: 0 2px;">A</span>	+\$0

Matte Sheen Finishes (on Ash)

*For ash (A-)*

<b>66A</b>	frosty ash recograin, quarter cut, matte sheen <span style="border: 1px solid black; padding: 0 2px;">A</span>	+\$0
<b>677</b>	chocolate ash, matte sheen <span style="border: 1px solid black; padding: 0 2px;">A</span>	+\$0
<b>68R</b>	recograin rosewood <span style="border: 1px solid black; padding: 0 2px;">A</span>	+\$0
<b>69A</b>	recograin frosty ash <span style="border: 1px solid black; padding: 0 2px;">A</span>	+\$0
<b>69R</b>	recograin rosewood <span style="border: 1px solid black; padding: 0 2px;">A</span>	+\$0
<b>69T</b>	recograin teak <span style="border: 1px solid black; padding: 0 2px;">A</span>	+\$0
<b>6K1</b>	rift oak <span style="border: 1px solid black; padding: 0 2px;">A</span>	+\$0
<b>ET</b>	clear on ash <span style="border: 1px solid black; padding: 0 2px;">A</span>	+\$0
<b>EU</b>	oak on ash <span style="border: 1px solid black; padding: 0 2px;">A</span>	+\$0
<b>EV</b>	walnut on ash <span style="border: 1px solid black; padding: 0 2px;">A</span>	+\$0
<b>GOU</b>	natural walnut, flat cut, matte sheen <span style="border: 1px solid black; padding: 0 2px;">A</span>	+\$0
<b>6A1</b>	white ash <span style="border: 1px solid black; padding: 0 2px;">A</span>	+\$0
<b>6K6</b>	burnt oak <span style="border: 1px solid black; padding: 0 2px;">A</span>	+\$0

Matte Sheen Finishes (on Ash)

*For ash (A-)*

<b>66G</b>	recograin wenge <span style="border: 1px solid black; padding: 0 2px;">A</span>	+\$0
<b>68W</b>	recograin walnut, flat cut, matte sheen <span style="border: 1px solid black; padding: 0 2px;">A</span>	+\$0
<b>69G</b>	recograin wenge <span style="border: 1px solid black; padding: 0 2px;">A</span>	+\$0
<b>69W</b>	recograin walnut, quarter cut, matte sheen <span style="border: 1px solid black; padding: 0 2px;">A</span>	+\$0

Premium Veneer - Matte

*For walnut (W-)*

<b>662</b>	toasted walnut, matte sheen <span style="border: 1px solid black; padding: 0 2px;">A</span>	+\$0
<b>663</b>	charred walnut, matte sheen <span style="border: 1px solid black; padding: 0 2px;">A</span>	+\$0
<b>664</b>	bronzed walnut, matte sheen <span style="border: 1px solid black; padding: 0 2px;">A</span>	+\$0
<b>665</b>	smoked walnut, matte sheen <span style="border: 1px solid black; padding: 0 2px;">A</span>	+\$0
<b>666</b>	coffee walnut, matte sheen <span style="border: 1px solid black; padding: 0 2px;">A</span>	+\$0
<b>667</b>	smoked paldao, quarter cut, matte sheen <span style="border: 1px solid black; padding: 0 2px;">A</span>	+\$0
<b>669</b>	warm paldao, quarter cut, matte sheen <span style="border: 1px solid black; padding: 0 2px;">A</span>	+\$0
<b>68R</b>	recograin rosewood <span style="border: 1px solid black; padding: 0 2px;">A</span>	+\$0
<b>69R</b>	recograin rosewood <span style="border: 1px solid black; padding: 0 2px;">A</span>	+\$0
<b>GOU</b>	natural walnut, flat cut, matte sheen <span style="border: 1px solid black; padding: 0 2px;">A</span>	+\$0

*For walnut (W-)*

<b>66G</b>	recograin wenge <span style="border: 1px solid black; padding: 0 2px;">A</span>	+\$0
<b>69G</b>	recograin wenge <span style="border: 1px solid black; padding: 0 2px;">A</span>	+\$0

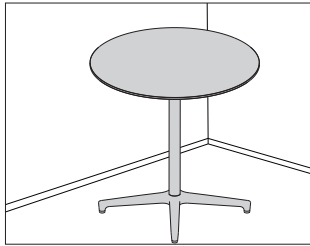
Low Sheen Finishes (on Walnut)

*For walnut (W-)*

<b>962</b>	toasted walnut, low sheen <span style="border: 1px solid black; padding: 0 2px;">A</span>	+\$0
<b>963</b>	charred walnut, low sheen <span style="border: 1px solid black; padding: 0 2px;">A</span>	+\$0
<b>964</b>	bronzed walnut, low sheen <span style="border: 1px solid black; padding: 0 2px;">A</span>	+\$0
<b>965</b>	smoked walnut, low sheen <span style="border: 1px solid black; padding: 0 2px;">A</span>	+\$0
<b>966</b>	coffee walnut, low sheen <span style="border: 1px solid black; padding: 0 2px;">A</span>	+\$0
<b>967</b>	smoked paldao, low sheen <span style="border: 1px solid black; padding: 0 2px;">A</span>	+\$0
<b>969</b>	warm paldao, low sheen <span style="border: 1px solid black; padding: 0 2px;">A</span>	+\$0
<b>96G</b>	wenge recograin, quarter cut, low sheen <span style="border: 1px solid black; padding: 0 2px;">A</span>	+\$0
<b>972</b>	sundance walnut <span style="border: 1px solid black; padding: 0 2px;">A</span>	+\$0
<b>98R</b>	recograin rosewood <span style="border: 1px solid black; padding: 0 2px;">A</span>	+\$0
<b>99G</b>	recograin wenge, quarter cut, low sheen <span style="border: 1px solid black; padding: 0 2px;">A</span>	+\$0
<b>99R</b>	recograin rosewood <span style="border: 1px solid black; padding: 0 2px;">A</span>	+\$0
<b>G2U</b>	light brown walnut, low sheen <span style="border: 1px solid black; padding: 0 2px;">A</span>	+\$0
<b>G40</b>	dark brown walnut, low sheen <span style="border: 1px solid black; padding: 0 2px;">A</span>	+\$0
<b>EK</b>	medium red walnut <span style="border: 1px solid black; padding: 0 2px;">A</span>	+\$0

Step 6. Base Finish

<b>926</b>	black <span style="border: 1px solid black; padding: 0 2px;">A</span>	+\$0
<b>CHR</b>	chrome <span style="border: 1px solid black; padding: 0 2px;">A</span>	+\$0

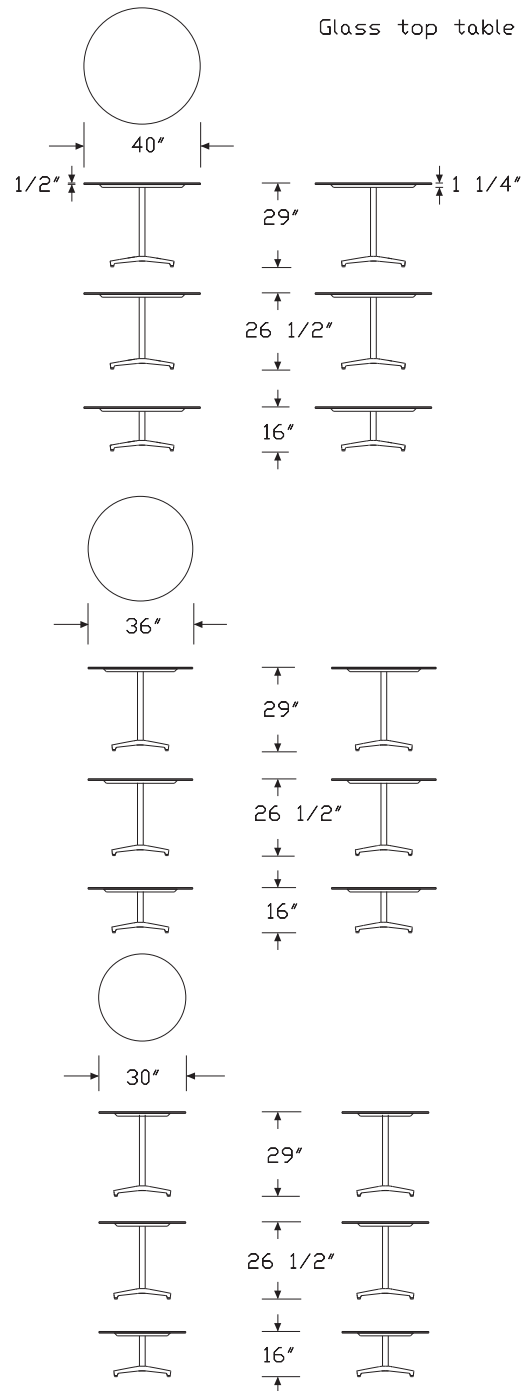


**Product Information**

**Description**

This table has an aluminum base with a  $\frac{3}{8}$ " tempered, back-painted glass top. Available in 3 heights and 3 top diameters.

**Dimensions**



**Specification Information**

Step 1.

**ASB1G-**  A

Step 2. Height

- 16** 16" coffee table height  A
- 26** 26.5" work table height  A
- 29** 29" standard table height  A

Step 3. Diameter

- 30** 30" diameter wood top  A
- 36** 36" diameter wood top  A
- 40** 40" diameter wood top  A

Prices for Steps 1-3.

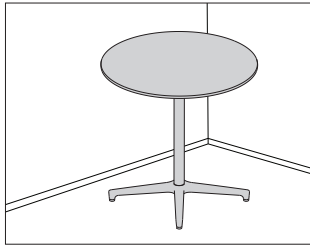
	<b>30</b>	<b>36</b>	<b>40</b>
<b>ASB1G- 16</b>	\$2000	2500	3000
<b>26</b>	\$2050	2550	3050
<b>29</b>	\$2100	2600	3100

Step 4. Glass Option

- GBB** back-painted black glass  A + \$0
- GBP** back-painted white glass  A + \$0

Step 5. Base Finish

- 926** black  A + \$0
- CHR** chrome  A + \$0

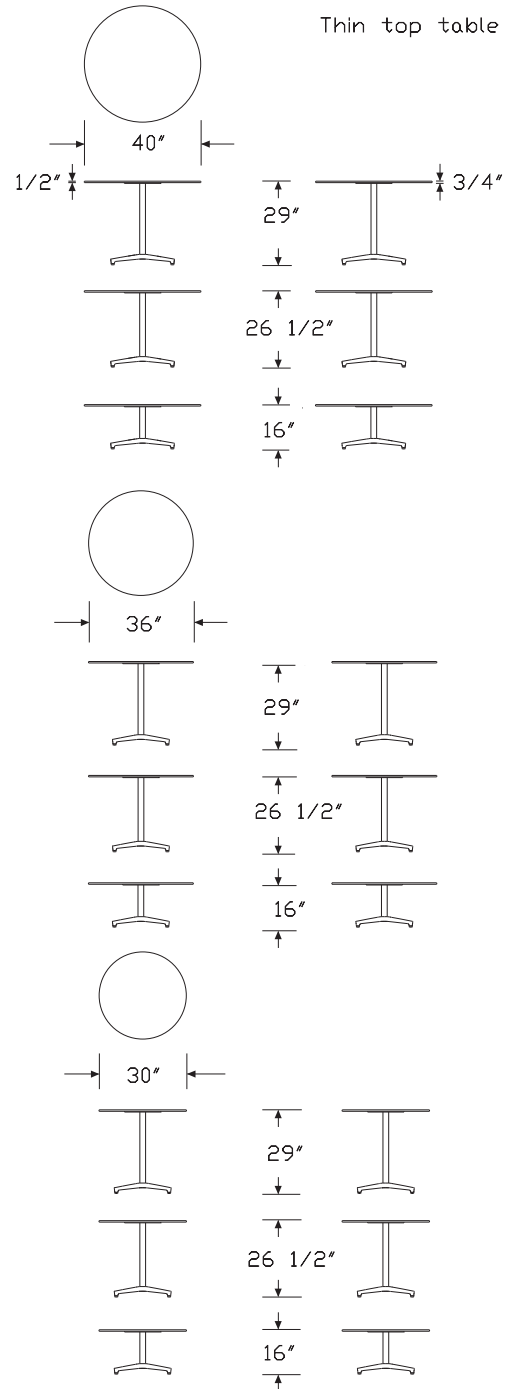


**Product Information**

**Description**

This table has an aluminum base with a thin profile high-pressure laminate top and is available in 3 heights and 3 top diameters.

**Dimensions**



Saiba Table Thin Profile Top *continued*

**Specification Information**

Step 1.

**ASB1T-**  A

Step 2. Height

**16** 16" coffee table height  A

**26** 26.5" work table height  A

**29** 29" standard table height  A

Step 3. Diameter

**30** 30" diameter wood top  A

**36** 36" diameter wood top  A

**40** 40" diameter wood top  A

Prices for Steps 1-3.

	<b>30</b>	<b>36</b>	<b>40</b>
<b>ASB1T- 16</b>	\$1300	1600	2000
<b>26</b>	\$1350	1650	2050
<b>29</b>	\$1400	1700	2100

Step 4. Thin Profile HPL with Black Edge Option

**91** white  A +\$0

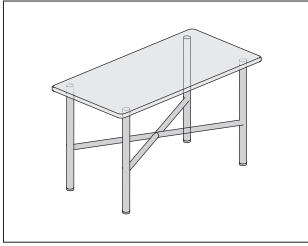
**BK** black  A +\$0

Step 5. Base Finish

**926** black  A +\$0

**CHR** chrome  A +\$0

Layer Occasional Table, No Shelf ALYSN

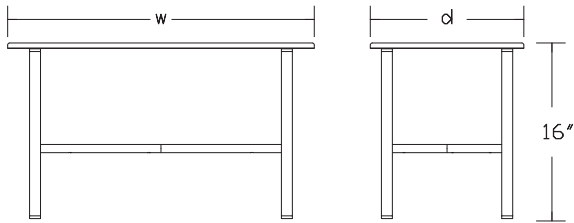


**Product Information**

**Description**

This table has a stainless steel frame and a 1/2" thick low-iron tempered glass top with radiused top edge and radiused corners.

**Dimensions**



**Specification Information**

**Step 1.**

**ALYSN-**  A

**Step 2. Width**

**28Z** 28" wide  A

**46Z** 46" wide  A

**66Z** 66" wide  A

**Step 3. Depth**

*For 28" wide (28Z)*

**14Z** 14" deep  A

**22Z** 22" deep  A

*For 46" wide (46Z)*

**24Z** 24" deep  A

*For 66" wide (66Z)*

**28Z** 28" deep  A

**Step 4. Height**

**16Z** 16" high  A

**Prices for Steps 1-4.**

	<b>16Z</b>
<b>ALYSN- 28Z 14Z</b>	\$1695
<b>22Z</b>	\$1925
<b>46Z 24Z</b>	\$2525
<b>66Z 28Z</b>	\$2995

**Step 5. Base Finish**

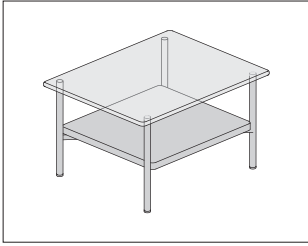
**926** black  A +\$0

**CHR** chrome  A +\$0

**SAC** satin chrome  A +\$0

# Layer Occasional Table, Stone Shelf

ALYSS

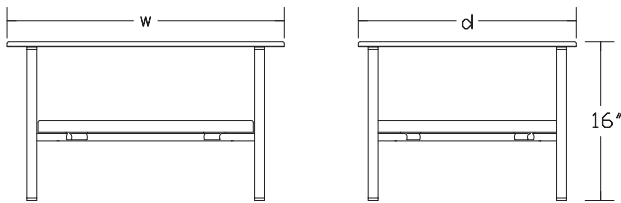


## Product Information

### Description

This table has a stainless steel frame and a 1/2" thick low-iron tempered glass top with radiused top edge and radiused corners. The stone shelf is 1 3/16" thick with radiused edge and radiused corners.

### Dimensions



HermanMiller Collection—Occasional Tables

## Specification Information

### Step 1.

**ALYSS-**  A

### Step 2. Width

**28Z** 28" wide  A

**46Z** 46" wide  A

**66Z** 66" wide  A

### Step 3. Depth

#### For 28" wide (28Z)

**14Z** 14" deep  A

**22Z** 22" deep  A

#### For 46" wide (46Z)

**24Z** 24" deep  A

#### For 66" wide (66Z)

**28Z** 28" deep  A

### Step 4. Height

**16Z** 16" high  A

### Prices for Steps 1-4.

	<b>16Z</b>
<b>ALYSS- 28Z 14Z</b>	\$3050
<b>22Z</b>	\$3650
<b>46Z 24Z</b>	\$5425
<b>66Z 28Z</b>	\$5895

### Step 5. Stone

**5UH** georgia grey honed marble  A +\$0

**DPH** georgia white honed marble  A +\$0

**HR** wisconsin black honed marble  A +\$0

### Step 6. Base Finish

**926** black  A +\$0

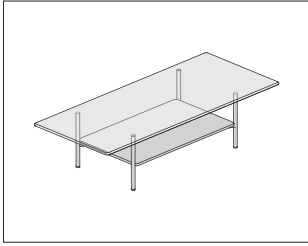
**CHR** chrome  A +\$0

**SAC** satin chrome  A +\$0



Layer Occasional Table, Wood Shelf

ALYSA  
ALYSW

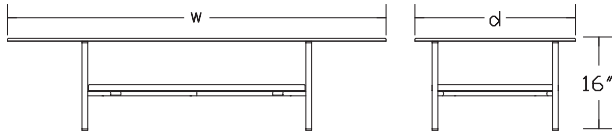


**Product Information**

**Description**

This table has a stainless steel frame and a 1/2" thick low-iron tempered glass top with radiused top edge and radiused corners. The wood shelf is 1" thick with plank veneer layup and solid wood edge. Wood shelf is finished to match color and sheen of the specified wood finish.

**Dimensions**



**Specification Information**

**Step 1.**

**ALY**  A

**Step 2. Shelf Material**

**SA-** ash shelf  A

**SW-** walnut shelf  A

**Step 3. Width**

**28Z** 28" wide  A

**46Z** 46" wide  A

**66Z** 66" wide  A

**Step 4. Depth**

*For 28" wide (28Z)*

**14Z** 14" deep  A

**22Z** 22" deep  A

*For 46" wide (46Z)*

**24Z** 24" deep  A

*For 66" wide (66Z)*

**28Z** 28" deep  A

**Step 5. Height**

**16Z** 16" high  A

**Prices for Steps 1-5.**

		<b>16Z</b>
<b>ALYSA-</b>	<b>28Z 14Z</b>	\$2350
	<b>22Z</b>	\$2625
	<b>46Z 24Z</b>	\$3395
	<b>66Z 28Z</b>	\$3850
		<b>16Z</b>
<b>ALYSW-</b>	<b>28Z 14Z</b>	\$2350
	<b>22Z</b>	\$2625
	<b>46Z 24Z</b>	\$3395
	<b>66Z 28Z</b>	\$3850

# Layer Occasional Table, Wood Shelf *continued*

---

## Step 6. Wood Finish

---

### *For ash shelf (SA-)*

<b>677</b>	chocolate ash, flat cut, matte sheen <input type="checkbox"/> A	+\$0
<b>6A1</b>	white ash, quarter cut, matte sheen <input type="checkbox"/> A	+\$0
<b>991</b>	champagne ash, flat cut, low sheen <input type="checkbox"/> A	+\$0
<b>998</b>	ebony ash, flat cut, low sheen <input type="checkbox"/> A	+\$0

---

### *For walnut shelf (SW-)*

<b>662</b>	toasted walnut, flat cut, matte sheen <input type="checkbox"/> A	+\$0
<b>663</b>	charred walnut, flat cut, matte sheen <input type="checkbox"/> A	+\$0
<b>664</b>	bronzed walnut, flat cut, matte sheen <input type="checkbox"/> A	+\$0
<b>665</b>	smoked walnut, flat cut, matte sheen <input type="checkbox"/> A	+\$0
<b>666</b>	coffee walnut, flat cut, matte sheen <input type="checkbox"/> A	+\$0
<b>972</b>	sundance walnut, solid, low sheen <input type="checkbox"/> A	+\$0
<b>EK</b>	medium red walnut, flat cut, low sheen <input type="checkbox"/> A	+\$0
<b>G2U</b>	light brown walnut, flat cut, low sheen <input type="checkbox"/> A	+\$0
<b>G40</b>	dark brown walnut, flat cut, low sheen <input type="checkbox"/> A	+\$0
<b>GOU</b>	natural walnut, flat cut, matte sheen <input type="checkbox"/> A	+\$0

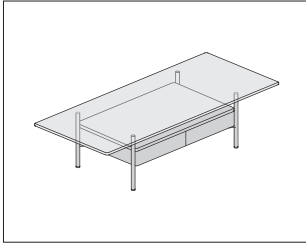
---

## Step 7. Base Finish

<b>926</b>	black <input type="checkbox"/> A	+\$0
<b>CHR</b>	chrome <input type="checkbox"/> A	+\$0
<b>SAC</b>	satin chrome <input type="checkbox"/> A	+\$0

Layer Occasional Table, Wood  
Drawer

ALYDA  
ALYDW

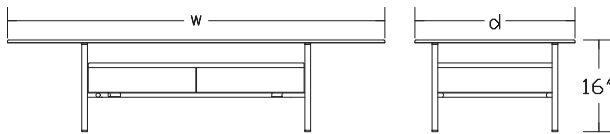


**Product Information**

**Description**

This table has a stainless steel frame and a 1/2" thick low-iron tempered glass top with radiused top edge and radiused corners. The drawer top is 1" thick with plank veneer layup and solid wood edge. Drawer front and case are solid wood. Drawer box interior is natural ash with dovetail construction. Wood drawer is finished to match color and sheen of the specified wood finish.

**Dimensions**



**Specification Information**

**Step 1.**

**ALY** A

**Step 2. Drawer Material**

**DA-** ash drawer A

**DW-** walnut drawer A

**Step 3. Width**

**28Z** 28" wide A

**46Z** 46" wide A

**66Z** 66" wide A

**Step 4. Depth**

*For 28" wide (28Z)*

**22Z** 22" deep A

*For 46" wide (46Z)*

**24Z** 24" deep A

*For 66" wide (66Z)*

**28Z** 28" deep A

**Step 5. Height**

**16Z** 16" high A

**Prices for Steps 1-5.**

<b>16Z</b>	
<b>ALYDA- 28Z 22Z</b>	\$3550
<b>46Z 24Z</b>	\$4825
<b>66Z 28Z</b>	\$5295

<b>16Z</b>	
<b>ALYDW- 28Z 22Z</b>	\$3550
<b>46Z 24Z</b>	\$4825
<b>66Z 28Z</b>	\$5295

**Step 6. Wood Finish**

*For ash drawer (DA-)*

<b>677</b>	chocolate ash, flat cut, matte sheen <span style="border: 1px solid black; padding: 0 2px;">A</span>	+ \$0
<b>6A1</b>	white ash, quarter cut, matte sheen <span style="border: 1px solid black; padding: 0 2px;">A</span>	+ \$0
<b>991</b>	champagne ash, flat cut, low sheen <span style="border: 1px solid black; padding: 0 2px;">A</span>	+ \$0
<b>998</b>	ebony ash, flat cut, low sheen <span style="border: 1px solid black; padding: 0 2px;">A</span>	+ \$0

# Layer Occasional Table, Wood Drawer *continued*

---

*For walnut drawer (DW-)*

<b>662</b>	toasted walnut, flat cut, matte sheen <input type="checkbox"/> A	+\$0
<b>663</b>	charred walnut, flat cut, matte sheen <input type="checkbox"/> A	+\$0
<b>664</b>	bronzed walnut, flat cut, matte sheen <input type="checkbox"/> A	+\$0
<b>665</b>	smoked walnut, flat cut, matte sheen <input type="checkbox"/> A	+\$0
<b>666</b>	coffee walnut, flat cut, matte sheen <input type="checkbox"/> A	+\$0
<b>972</b>	sundance walnut, solid, low sheen <input type="checkbox"/> A	+\$0
<b>EK</b>	medium red walnut, flat cut, low sheen <input type="checkbox"/> A	+\$0
<b>G2U</b>	light brown walnut, flat cut, low sheen <input type="checkbox"/> A	+\$0
<b>G40</b>	dark brown walnut, flat cut, low sheen <input type="checkbox"/> A	+\$0
<b>GOU</b>	natural walnut, flat cut, matte sheen <input type="checkbox"/> A	+\$0

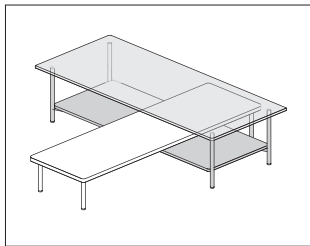
---

Step 7. Base Finish

<b>926</b>	black <input type="checkbox"/> A	+\$0
<b>CHR</b>	chrome <input type="checkbox"/> A	+\$0
<b>SAC</b>	satin chrome <input type="checkbox"/> A	+\$0

# Layer Occasional Table, High Nesting

ALNHS

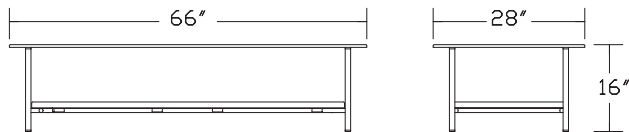


## Product Information

### Description

This table has a stainless steel frame and a 1/2" thick low-iron tempered glass top with radiused top edge and radiused corners. The wood shelf is 1" thick with plank veneer layup and solid wood edge. Wood shelf is finished to match color and sheen of the specified wood finish.

### Dimensions



## Specification Information

### Step 1.

**ALNH**

### Step 2. Shelf Material

**SA-** ash shelf

**SN-** no shelf

**SS-** stone shelf

**SW-** walnut shelf

### Step 3. Width

**66Z** 66" wide

### Step 4. Depth

**28Z** 28" deep

### Step 5. Height

**16Z** 16" high

### Prices for Steps 1-5.

	<b>16Z</b>
<b>ALNHSA- 66Z 28Z</b>	\$4250

	<b>16Z</b>
<b>ALNHSN- 66Z 28Z</b>	\$3095

	<b>16Z</b>
<b>ALNHSS- 66Z 28Z</b>	\$7395

	<b>16Z</b>
<b>ALNHSW- 66Z 28Z</b>	\$4250

### Step 6. Wood Finish

#### For ash shelf (SA-)

<b>677</b>	chocolate ash, flat cut, matte sheen <input type="checkbox"/>	+ \$0
<b>6A1</b>	white ash, quarter cut, matte sheen <input type="checkbox"/>	+ \$0
<b>991</b>	champagne ash, flat cut, low sheen <input type="checkbox"/>	+ \$0
<b>998</b>	ebony ash, flat cut, low sheen <input type="checkbox"/>	+ \$0

# Layer Occasional Table, High Nesting *continued*

---

*For walnut shelf (SW-)*

<b>662</b>	toasted walnut, flat cut, matte sheen <input type="checkbox"/> A	+\$0
<b>663</b>	charred walnut, flat cut, matte sheen <input type="checkbox"/> A	+\$0
<b>664</b>	bronzed walnut, flat cut, matte sheen <input type="checkbox"/> A	+\$0
<b>665</b>	smoked walnut, flat cut, matte sheen <input type="checkbox"/> A	+\$0
<b>666</b>	coffee walnut, flat cut, matte sheen <input type="checkbox"/> A	+\$0
<b>972</b>	sundance walnut, solid, low sheen <input type="checkbox"/> A	+\$0
<b>EK</b>	medium red walnut, flat cut, low sheen <input type="checkbox"/> A	+\$0
<b>G2U</b>	light brown walnut, flat cut, low sheen <input type="checkbox"/> A	+\$0
<b>G40</b>	dark brown walnut, flat cut, low sheen <input type="checkbox"/> A	+\$0
<b>GOU</b>	natural walnut, flat cut, matte sheen <input type="checkbox"/> A	+\$0

---

Step 7. Stone

*For stone shelf (SS-)*

<b>5UH</b>	georgia grey honed marble <input type="checkbox"/> A	+\$0
<b>DPH</b>	georgia white honed marble <input type="checkbox"/> A	+\$0
<b>HR</b>	wisconsin black honed marble <input type="checkbox"/> A	+\$0

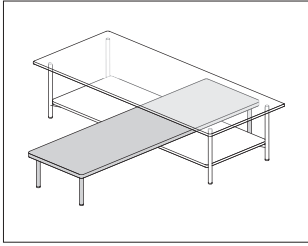
---

Step 8. Base Finish

<b>926</b>	black <input type="checkbox"/> A	+\$0
<b>CHR</b>	chrome <input type="checkbox"/> A	+\$0
<b>SAC</b>	satin chrome <input type="checkbox"/> A	+\$0

Layer Occasional Table, Low Nesting

ALNLT

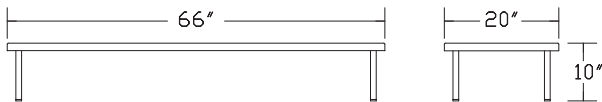


**Product Information**

**Description**

This table has a stainless steel frame and a 1 1/4" thick top with plank veneer layup and solid wood edge. Wood top is finished to match color and sheen of the specified wood finish.

**Dimensions**



**Specification Information**

**Step 1.**

**ALNL**

**Step 2. Wood Top Material**

**TA-** ash top

**TW-** walnut top

**Step 3. Width**

**66Z** 66" wide

**Step 4. Depth**

**20Z** 20" deep

**Step 5. Height**

**10Z** 10" high

**Prices for Steps 1-5.**

**10Z**

---

**ALNLTA- 66Z 20Z** \$2150

**10Z**

---

**ALNLTW- 66Z 20Z** \$2150

**Step 6. Wood Finish**

*For ash top (TA-)*

<b>677</b>	chocolate ash, flat cut, matte sheen <input type="checkbox"/>	+\$0
<b>6A1</b>	white ash, quarter cut, matte sheen <input type="checkbox"/>	+\$0
<b>991</b>	champagne ash, flat cut, low sheen <input type="checkbox"/>	+\$0
<b>998</b>	ebony ash, flat cut, low sheen <input type="checkbox"/>	+\$0

*For walnut top (TW-)*

<b>662</b>	toasted walnut, flat cut, matte sheen <input type="checkbox"/>	+\$0
<b>663</b>	charred walnut, flat cut, matte sheen <input type="checkbox"/>	+\$0
<b>664</b>	bronzed walnut, flat cut, matte sheen <input type="checkbox"/>	+\$0
<b>665</b>	smoked walnut, flat cut, matte sheen <input type="checkbox"/>	+\$0
<b>666</b>	coffee walnut, flat cut, matte sheen <input type="checkbox"/>	+\$0
<b>972</b>	sundance walnut, solid, low sheen <input type="checkbox"/>	+\$0
<b>EK</b>	medium red walnut, flat cut, low sheen <input type="checkbox"/>	+\$0
<b>G2U</b>	light brown walnut, flat cut, low sheen <input type="checkbox"/>	+\$0
<b>G40</b>	dark brown walnut, flat cut, low sheen <input type="checkbox"/>	+\$0
<b>GOU</b>	natural walnut, flat cut, matte sheen <input type="checkbox"/>	+\$0

Layer Occasional Table, Low  
Nesting *continued*

---

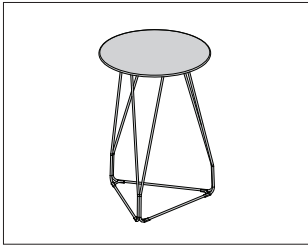
Step 7. Base Finish		
<b>926</b>	black <input type="checkbox"/>	+\$0
<b>CHR</b>	chrome <input type="checkbox"/>	+\$0
<b>SAC</b>	satin chrome <input type="checkbox"/>	+\$0

HermanMiller Collection—Occasional Tables



# Polygon Wire Table

- PWL14
- PWL22
- PWL26
- PWM14
- PWM18
- PWM26
- PWS16
- PWS20
- PWS26

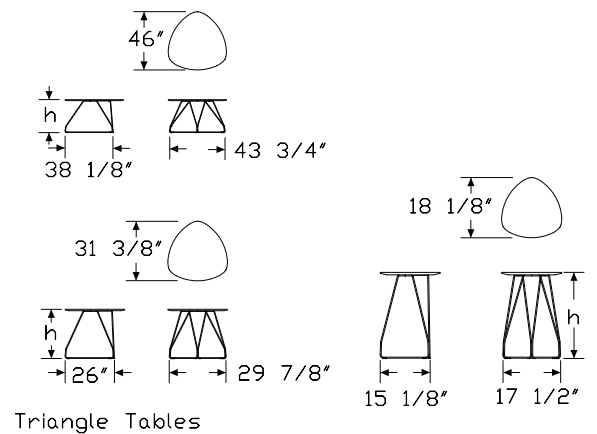
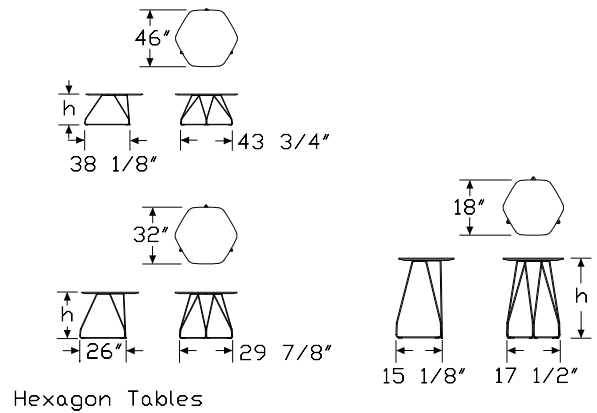
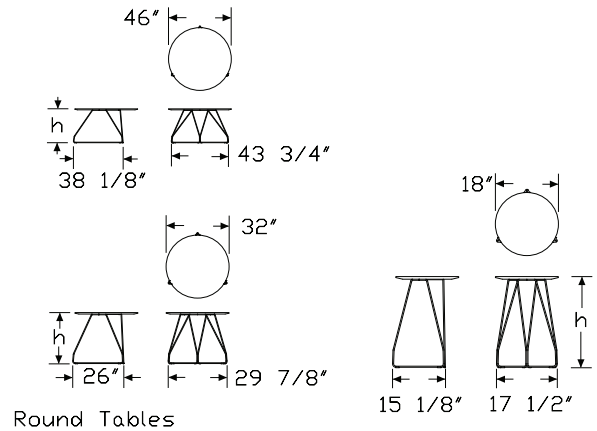


## Product Information

### Description

This table has a textured Formcoat® top that comes in 3 shapes and 3 sizes. The base is metal with textured paint, comes in 3 heights for each top shape, and has plastic glides. Top and base are the same color.

## Dimensions



HermanMiller Collection—Occasional Tables

Polygon Wire Table *continued*

HermanMiller Collection—Occasional Tables

**Specification Information**

Step 1.

**PW**  A

Step 2. Dimensions

- S16** 18" W top x 16" H base  A
- S20** 18" W top x 20" H base  A
- S26** 18" W top x 26" H base  A
- M14** 32" W top x 14" H base  A
- M18** 32" W top x 18" H base  A
- M26** 32" W top x 26" H base  A
- L14** 46" W top x 14" H base  A
- L22** 46" W top x 22" H base  A
- L26** 46" W top x 26" H base  A

Step 3. Top Shape

- R** round  A
- H** hexagon  A
- T** triangle  A

Prices for Steps 1-3.

<b>PWS16</b>	<b>R</b>	\$675
	<b>H</b>	\$675
	<b>T</b>	\$675
<hr/>		
<b>PWS20</b>	<b>R</b>	\$700
	<b>H</b>	\$700
	<b>T</b>	\$700
<hr/>		
<b>PWS26</b>	<b>R</b>	\$725
	<b>H</b>	\$725
	<b>T</b>	\$725
<hr/>		
<b>PWM14</b>	<b>R</b>	\$1025
	<b>H</b>	\$1025
	<b>T</b>	\$1025
<hr/>		
<b>PWM18</b>	<b>R</b>	\$1060
	<b>H</b>	\$1060
	<b>T</b>	\$1060
<hr/>		
<b>PWM26</b>	<b>R</b>	\$1095
	<b>H</b>	\$1095
	<b>T</b>	\$1095

<b>PWL14</b>	<b>R</b>	\$1375
	<b>H</b>	\$1375
	<b>T</b>	\$1375

<b>PWL22</b>	<b>R</b>	\$1420
	<b>H</b>	\$1420
	<b>T</b>	\$1420

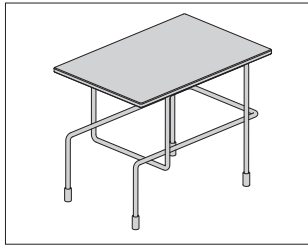
<b>PWL26</b>	<b>R</b>	\$1465
	<b>H</b>	\$1465
	<b>T</b>	\$1465

Step 4. Finish

<b>91</b>	white <input type="checkbox"/> A	+\$0
<b>BK</b>	black <input type="checkbox"/> A	+\$0
<b>G1</b>	graphite <input type="checkbox"/> A	+\$0

# Traffic Low Table

XXTV2

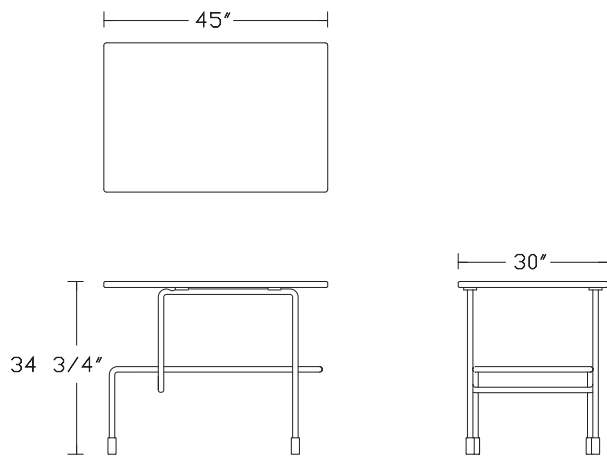


### Product Information

#### Description

This table has a steel rod frame and 12mm acrylic stone top.

#### Dimensions



### Specification Information

#### Step 1.

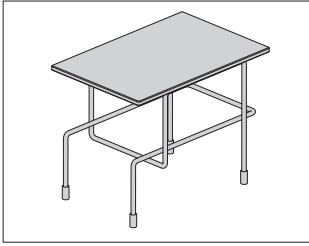
**XXTV2700** A \$1059

#### Step 2. Frame Finish

<b>5011</b>	white	<span style="border: 1px solid black; padding: 0 2px;">A</span>	+\$0
<b>5013</b>	black	<span style="border: 1px solid black; padding: 0 2px;">A</span>	+\$0
<b>5016</b>	sepia brown	<span style="border: 1px solid black; padding: 0 2px;">A</span>	+\$0
<b>5017</b>	green blue	<span style="border: 1px solid black; padding: 0 2px;">A</span>	+\$0
<b>5019</b>	signal red	<span style="border: 1px solid black; padding: 0 2px;">A</span>	+\$0
<b>5021</b>	dark green	<span style="border: 1px solid black; padding: 0 2px;">A</span>	+\$0

Traffic Low Table, Suitable for  
Outdoor Use

XXTV2

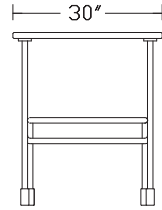
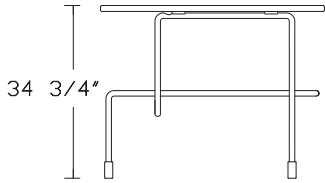
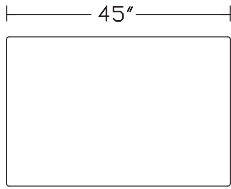


**Product Information**

Description

This table has a steel rod frame and 12mm acrylic stone top. Suitable for outdoor use.

Dimensions



**Specification Information**

Step 1.

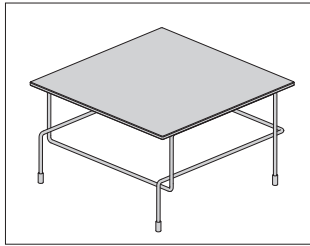
**XXTV2701** A \$1231

Step 2. Frame Finish

**5011** white A +\$0

# Traffic Low Square Table

XXTV2

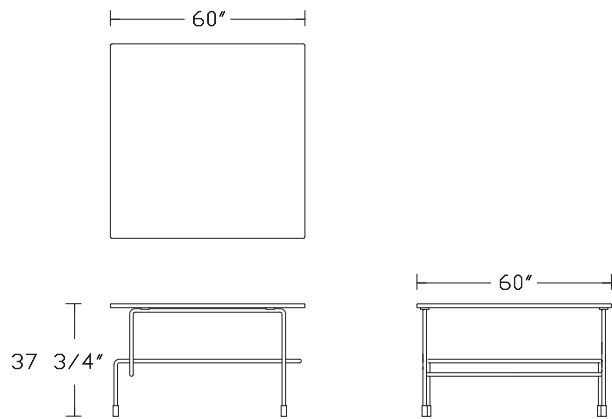


### Product Information

#### Description

This table has a steel rod frame and 12mm acrylic stone top.

#### Dimensions



### Specification Information

#### Step 1.

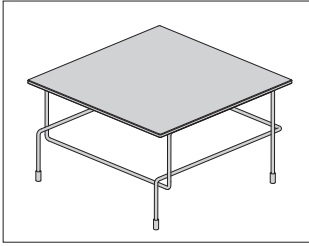
**XXTV2710** A \$950

#### Step 2. Frame Finish

<b>5011</b>	white	<span style="border: 1px solid black; padding: 0 2px;">A</span>	+\$0
<b>5013</b>	black	<span style="border: 1px solid black; padding: 0 2px;">A</span>	+\$0
<b>5016</b>	sepia brown	<span style="border: 1px solid black; padding: 0 2px;">A</span>	+\$0
<b>5017</b>	green blue	<span style="border: 1px solid black; padding: 0 2px;">A</span>	+\$0
<b>5019</b>	signal red	<span style="border: 1px solid black; padding: 0 2px;">A</span>	+\$0
<b>5021</b>	dark green	<span style="border: 1px solid black; padding: 0 2px;">A</span>	+\$0

HermanMiller Collection—Occasional Tables

Traffic Low Square Table, Suitable for Outdoor Use      XXTV2

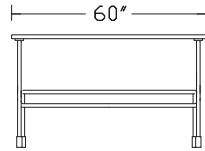
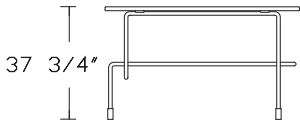
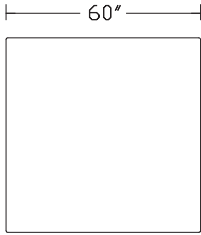


**Product Information**

**Description**

This table has a steel rod frame and 12mm acrylic stone top. Suitable for outdoor use.

**Dimensions**



**Specification Information**

**Step 1.**

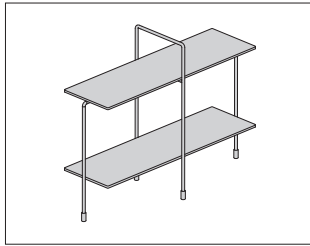
**XXTV2711** [A] \$1057

**Step 2. Frame Finish**

**5011** white [A] +\$0

# Traffic Low Side Table

XXTV2

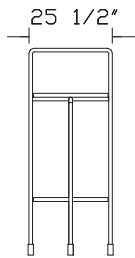
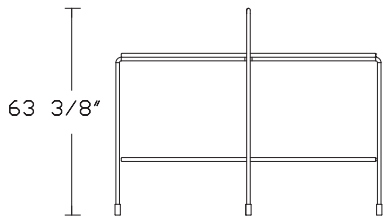
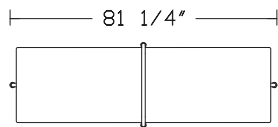


### Product Information

#### Description

This table has a steel rod frame and 12mm acrylic stone top.

#### Dimensions



### Specification Information

#### Step 1.

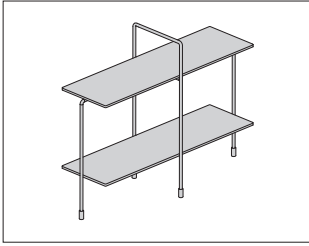
**XXTV2720** A \$605

#### Step 2. Frame Finish

<b>5011</b>	white	<span style="border: 1px solid black; padding: 0 2px;">A</span>	+\$0
<b>5013</b>	black	<span style="border: 1px solid black; padding: 0 2px;">A</span>	+\$0
<b>5016</b>	sepia brown	<span style="border: 1px solid black; padding: 0 2px;">A</span>	+\$0
<b>5017</b>	green blue	<span style="border: 1px solid black; padding: 0 2px;">A</span>	+\$0
<b>5019</b>	signal red	<span style="border: 1px solid black; padding: 0 2px;">A</span>	+\$0
<b>5021</b>	dark green	<span style="border: 1px solid black; padding: 0 2px;">A</span>	+\$0

HermanMiller Collection—Occasional Tables

Traffic Low Side Table, Suitable for Outdoor Use XXTV2



**Product Information**

Description

This table has a steel rod frame and 12mm acrylic stone top. Suitable for outdoor use.

Dimensions

**Specification Information**

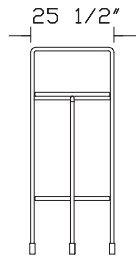
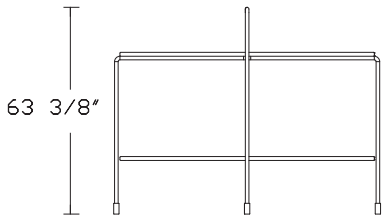
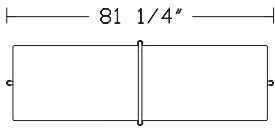
Step 1.

**XXTV2721** A \$666

Step 2. Frame Finish

**5011** white A +\$0

HermanMiller Collection—Occasional Tables



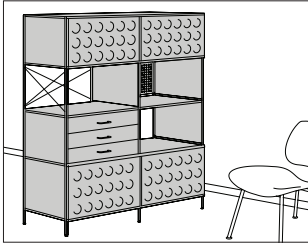


Storage



# Eames® Storage Unit

ESU100  
ESU150  
ESU201  
ESU230  
ESU420



## Product Information

### Description

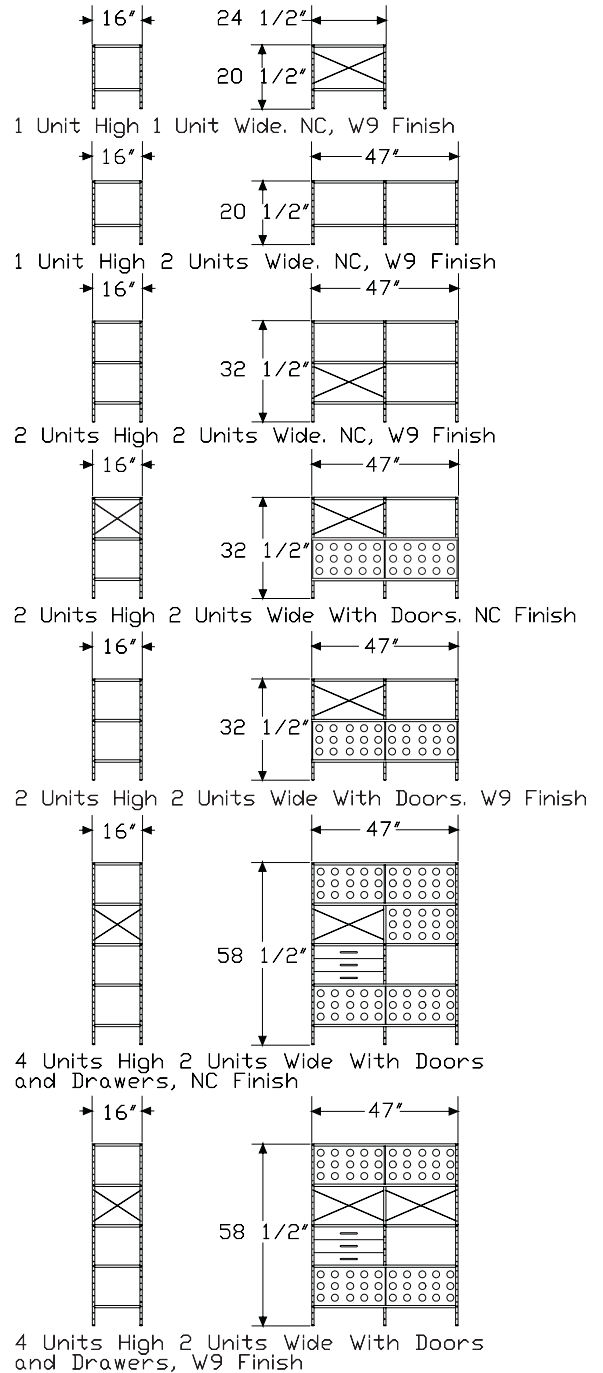
This storage unit is available in 1, 2, or 4 units high and 1 or 2 units wide with 5 configurations of shelves, drawers, and enclosed storage for books or binders. Some units have dimpled plywood doors; plywood drawer units and shelves; painted side and back panels; and steel uprights, cross supports, and perforated panels. The storage unit has adjustable glides.

### Notes

For 2 units high, 2 units wide configurations (ESU201., ESU230.) with natural color (NC) surface finish, the divider between the top shelves is a cross-bar wire.

For 2 units high, 2 units wide configurations (ESU201., ESU230.) with multi-color (W9) surface finish, the divider between the top shelves is a blue panel.

## Dimensions



**Specification Information**

Step 1.

**ESU**  A

Step 2. Configuration

- 150.** 1 unit high, 1 unit wide  A
- 100.** 1 unit high, 2 units wide  A
- 201.** 2 units high, 2 units wide  A
- 230.** 2 units high, 2 units wide, with doors  A
- 420.** 4 units high, 2 units wide  A

Prices for Steps 1-2.

<b>ESU150.</b>	\$789
<b>ESU100.</b>	\$1329
<b>ESU201.</b>	\$1737
<b>ESU230.</b>	\$2264
<b>ESU420.</b>	\$4182

Step 3. Frame Finish

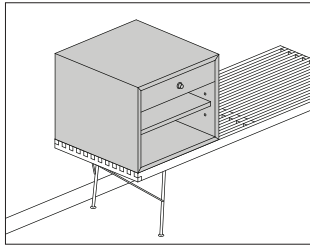
		<b>150.</b>	<b>100.</b>	<b>201.</b>	<b>230.</b>	<b>420.</b>
<b>ZC</b>	zinc plated <input type="checkbox"/> A	+\$0	0	0	0	0
<b>BU</b>	black <input type="checkbox"/> A	+\$49	49	77	77	157

Step 4. Surface Finish

<b>NC</b>	natural color <input type="checkbox"/> A	+\$0
<b>W9</b>	multi-color <input type="checkbox"/> A	+\$0

Nelson™ Basic Cabinet Series  
16.5 x 18

BC1618

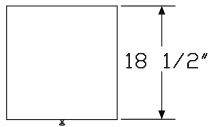


**Product Information**

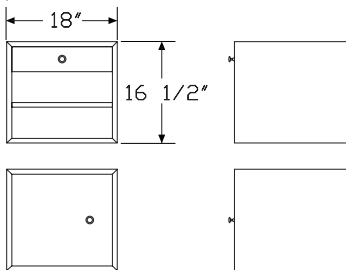
**Description**

This veneer cabinet provides small item storage and can be used freestanding or placed on top of the Nelson™ platform bench.

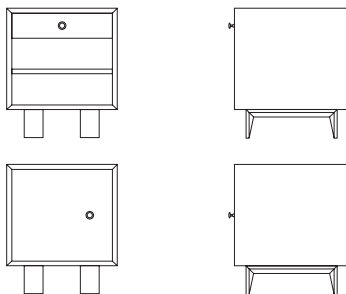
**Dimensions**



platform bench-mount base (B)



wood leg (W)



**Specification Information**

**Step 1.**

**BC1618.** [A]

**Step 2. Type**

- B** open cabinet with 1 drawer [A]
- C** closed cabinet, left-hinged door [A]
- D** closed cabinet, right-hinged door [A]

**Step 3. Leg/Base Option**

- W** wood leg [A]
- B** platform bench-mount base [A]

**Step 4. Pull**

- A** aluminum alloy pull, silver [A]

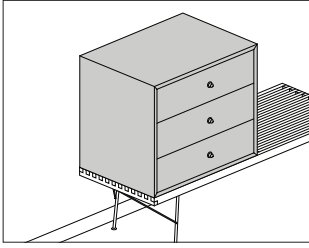
**Prices for Steps 1-4.**

			<b>A</b>
<b>BC1618.</b>	<b>B</b>	<b>W</b>	\$955
	<b>B</b>		\$955
	<b>C</b>	<b>W</b>	\$955
	<b>B</b>		\$955
	<b>D</b>	<b>W</b>	\$955
	<b>B</b>		\$955

**Step 5. Finish**

- 2U** light brown walnut [A] +\$0
- OK** natural oak [A] +\$0

Nelson™ Basic Cabinet Series BC2424  
24 X 24



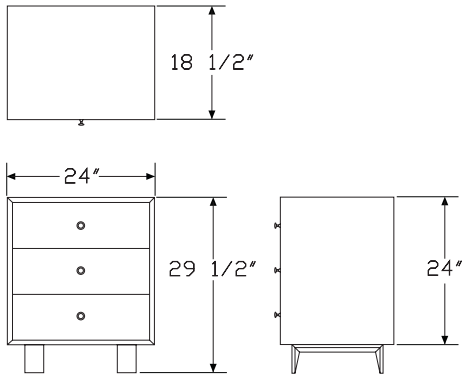
HermanMiller Collection—Storage

**Product Information**

**Description**

This veneer cabinet provides small item storage and can be used freestanding or placed on top of a Nelson™ platform bench.

**Dimensions**



**Specification Information**

**Step 1.**

**BC2424.** A

**Step 2. Type**

**E** 3-drawer cabinet A

**Step 3. Leg/Base Option**

**W** wood leg A

**B** platform bench-mount base A

**Step 4. Pull**

**A** aluminum alloy pull, silver A

**Prices for Steps 1-4.**

	<b>A</b>
<b>BC2424. E W</b>	\$2127
<b>B</b>	\$1961

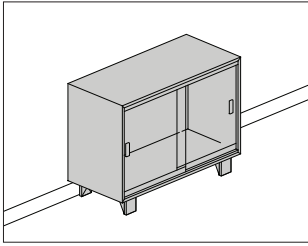
**Step 5. Finish**

**2U** light brown walnut A +\$0

**OK** natural oak A +\$0

Nelson™ Basic Cabinet Series  
24 X 34

BC2434

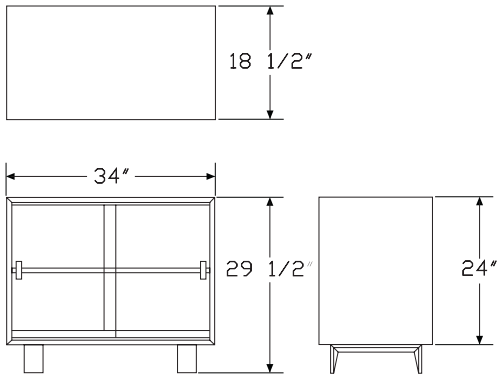


**Product Information**

**Description**

This veneer cabinet has 2 sliding glass doors and can be used freestanding or placed on top of a Nelson™ platform bench.

**Dimensions**



**Specification Information**

**Step 1.**

**BC2434.**  A

**Step 2. Type**

**J** closed cabinet, 2 sliding doors  A

**Step 3. Leg/Base Option**

**W** wood leg  A

**B** platform bench-mount base  A

**Step 4. Pull**

**N** no pull  A

**Prices for Steps 1-4.**

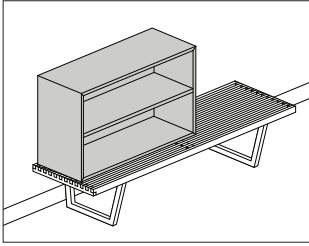
			<b>N</b>
<b>BC2434.</b>	<b>J</b>	<b>W</b>	\$2326
		<b>B</b>	\$2161

**Step 5. Finish**

**2U** light brown walnut  A + \$0

**OK** natural oak  A + \$0

Nelson™ Basic Cabinet Series BC2400  
24 x 34 Bookcase



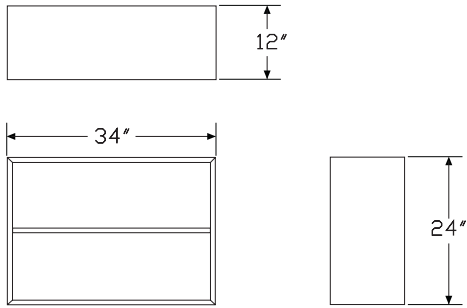
HermanMiller Collection—Storage

**Product Information**

**Description**

This 12"-deep veneer open bookcase sits on a Nelson™ platform bench and has a shelf that adjusts in 2" increments over a 6" range.

**Dimensions**



**Specification Information**

**Step 1.**

**BC2400.**  A

**Step 2. Type**

**H** open bookcase  A

**Step 3. Leg/Base Option**

**B** platform bench-mount base  A

**Step 4. Pull**

**N** no pull  A

**Prices for Steps 1-4.**

	<b>N</b>
<b>BC2400. H B</b>	\$1264

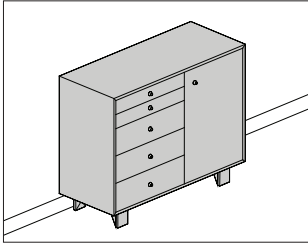
**Step 5. Finish**

<b>2U</b> light brown walnut <input type="checkbox"/> A	+ \$0
<b>OK</b> natural oak <input type="checkbox"/> A	+ \$0



Nelson™ Basic Cabinet Series  
34 X 40

BC3440



**Product Information**

**Description**

This veneer freestanding cabinet is available with 5 drawers on the left side with a single door on the right, or with 2 full width drawers over double drawers.

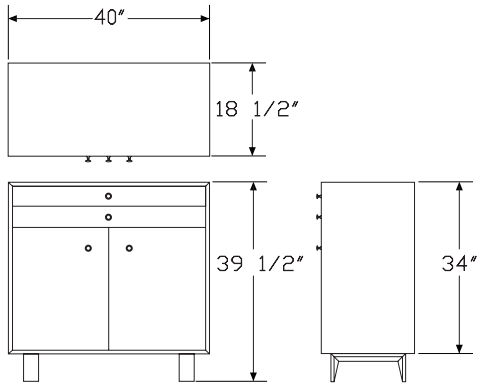
**Notes**

5-drawer cabinet with door option (L) has 2 shelves behind the door.

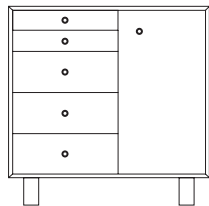
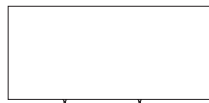
Each shelf adjusts in 2" increments over a 6" range.

Cabinet, 2 drawers over 2 doors option (M) has 1 shelf that adjusts in 2" increments over a 6" range.

**Dimensions**



M



L

**Specification Information**

**Step 1.**

**BC3440.** [A]

**Step 2. Type**

**L** 5-drawer cabinet with door [A]

**M** cabinet, 2 drawers over 2 doors [A]

**Step 3. Leg Option**

**W** wood leg [A]

**Step 4. Pull**

**A** aluminum alloy pull, silver [A]

**Prices for Steps 1-4.**

			<b>A</b>
<b>BC3440.</b>	<b>L</b>	<b>W</b>	\$2937
	<b>M</b>	<b>W</b>	\$2692

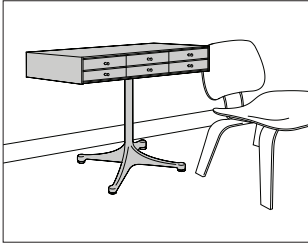
**Step 5. Finish**

**2U** light brown walnut [A] +\$0

**OK** natural oak [A] +\$0

# Nelson™ Miniature Chest 6 Drawer

NC526  
NC556



### Product Information

#### Description

This chest has 6 small drawers with metal pulls. The chest body and drawers are constructed of solid wood as specified, with laminate on the top surface. Depending on the model, it has 3/8" solid-brass glides or a 4-star aluminum base with adjustable glides.

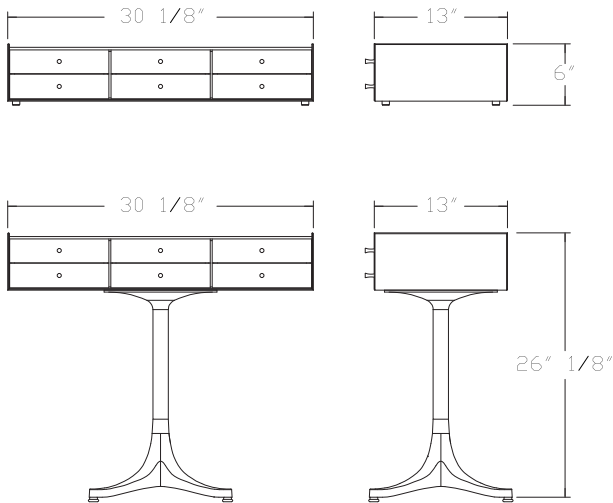
#### Notes

For the walnut and dark brown walnut combination (RT) option, the case finish is solid walnut and the drawer fronts are solid walnut stained dark brown.

For the white ash and walnut combination (UR) option, the case finish is solid white ash and the drawer fronts are solid walnut.

For the teak and dark brown teak combination (US) option, the case finish is solid teak and the drawer fronts are solid teak stained dark brown.

### Dimensions



### Specification Information

#### Step 1.

**NC5** A

#### Step 2. Type

**26** without pedestal base A

**56** with pedestal base A

#### Prices for Steps 1-2.

<b>NC526</b>	\$2894
<b>NC556</b>	\$3324

#### Step 3. Case Finish

<b>OU</b>	walnut <span style="border: 1px solid black; padding: 0 2px;">A</span>	+\$0
<b>RT</b>	walnut and dark brown walnut combination <span style="border: 1px solid black; padding: 0 2px;">A</span>	+\$0
<b>A2</b>	white ash <span style="border: 1px solid black; padding: 0 2px;">A</span>	+\$115
<b>UR</b>	white ash and walnut combination <span style="border: 1px solid black; padding: 0 2px;">A</span>	+\$115
<b>OT</b>	teak <span style="border: 1px solid black; padding: 0 2px;">A</span>	+\$591
<b>US</b>	teak and dark brown teak combination <span style="border: 1px solid black; padding: 0 2px;">A</span>	+\$591

#### Step 4. Top Finish

##### Solid-Color Laminate

<b>98</b>	studio white <span style="border: 1px solid black; padding: 0 2px;">A</span>	+\$0
<b>BK</b>	black - generic <span style="border: 1px solid black; padding: 0 2px;">A</span>	+\$0

#### Step 5. Pull Finish

<b>98</b>	metal pull, studio white <span style="border: 1px solid black; padding: 0 2px;">A</span>	+\$0
<b>BK</b>	metal pull, black <span style="border: 1px solid black; padding: 0 2px;">A</span>	+\$0
<b>L</b>	metal pull, aluminum <span style="border: 1px solid black; padding: 0 2px;">A</span>	+\$0

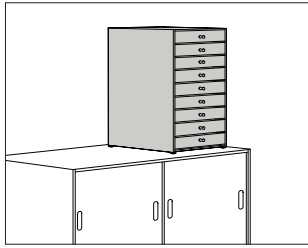
#### Step 6. Base Finish

##### For with pedestal base (56)

<b>98</b>	studio white <span style="border: 1px solid black; padding: 0 2px;">A</span>	+\$0
<b>BK</b>	black <span style="border: 1px solid black; padding: 0 2px;">A</span>	+\$0
<b>L</b>	polished aluminum <span style="border: 1px solid black; padding: 0 2px;">A</span>	+\$50

Nelson™ Miniature Chest  
9 Drawer

NC529  
NC559



**Product Information**

**Description**

This chest has 9 small drawers with metal pulls. The chest body and drawers are constructed of solid wood as specified. Depending on the model, it has 3/8" solid-brass glides or a 4-star aluminum base with adjustable glides.

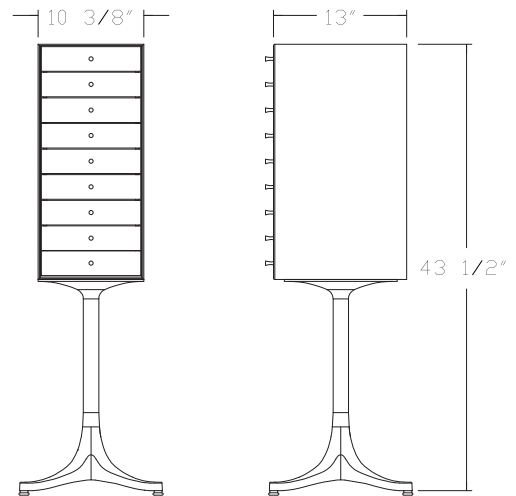
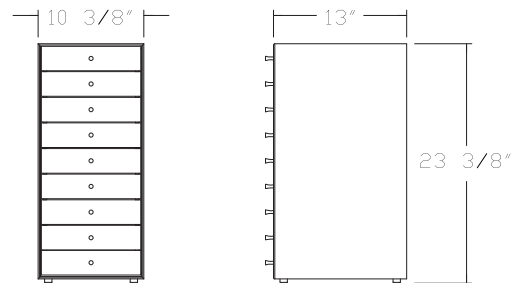
**Notes**

For the walnut and dark brown walnut combination (RT) option, the case finish is solid walnut and the drawer fronts are solid walnut stained dark brown.

For the white ash and walnut combination (UR) option, the case finish is solid white ash and the drawer fronts are solid walnut.

For the teak and dark brown teak combination (US) option, the case finish is solid teak and the drawer fronts are solid teak stained dark brown.

**Dimensions**



# Nelson™ Miniature Chest 9 Drawer

continued

## Specification Information

### Step 1.

**NC5** A

### Step 2. Type

**29** without pedestal base A

**59** with pedestal base A

### Prices for Steps 1-2.

<b>NC529</b>	\$3192
<b>NC559</b>	\$3610

### Step 3. Case Finish

<b>OU</b>	walnut <span style="border: 1px solid black; padding: 0 2px;">A</span>	+\$0
<b>RT</b>	walnut and dark brown walnut combination <span style="border: 1px solid black; padding: 0 2px;">A</span>	+\$0
<b>A2</b>	white ash <span style="border: 1px solid black; padding: 0 2px;">A</span>	+\$144
<b>UR</b>	white ash and walnut combination <span style="border: 1px solid black; padding: 0 2px;">A</span>	+\$144
<b>OT</b>	teak <span style="border: 1px solid black; padding: 0 2px;">A</span>	+\$856
<b>US</b>	teak and dark brown teak combination <span style="border: 1px solid black; padding: 0 2px;">A</span>	+\$856

### Step 4. Pull Finish

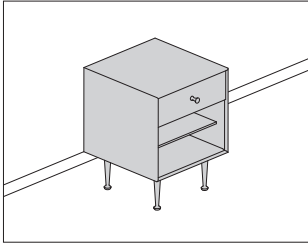
<b>98</b>	metal pull, studio white <span style="border: 1px solid black; padding: 0 2px;">A</span>	+\$0
<b>BK</b>	metal pull, black <span style="border: 1px solid black; padding: 0 2px;">A</span>	+\$0
<b>L</b>	metal pull, aluminum <span style="border: 1px solid black; padding: 0 2px;">A</span>	+\$0

### Step 5. Base Finish

*For with pedestal base (59)*

<b>98</b>	studio white <span style="border: 1px solid black; padding: 0 2px;">A</span>	+\$0
<b>BK</b>	black <span style="border: 1px solid black; padding: 0 2px;">A</span>	+\$0
<b>L</b>	polished aluminum <span style="border: 1px solid black; padding: 0 2px;">A</span>	+\$50

# Nelson™ Thin Edge Bedside Table TE1618



## Product Information

### Description

This bedside table has polished aluminum legs. The drawer has solid wood construction with soft closing slides.

### Notes

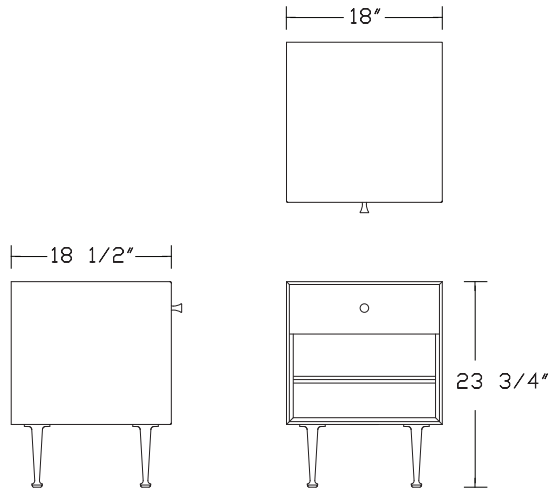
The unfinished back panel (BCF) option is intended for applications where this table will be placed against a wall.

For the walnut and dark brown walnut combination (RT) option, the case finish is walnut (OU) and the drawer or door fronts are dark brown walnut (40).

For the white ash and walnut combination (UR) option, the case finish is white ash (A2) and the drawer or door fronts are walnut (OU).

Santos palisander veneer is celebrated for its unique grain and color variations. Similar products ordered in multiples or dissimilar products ordered separately should be expected to have variation in both grain and color characteristics; no two products will look exactly alike.

### Dimensions



## Specification Information

### Step 1.

**TE1618.** [A]

### Step 2. Type

**L** bedside table with 1 drawer and 1 shelf [A]

### Step 3. Leg

**H** 7" polished aluminum with height adjustable glide [A]

### Step 4. Pull

**A** aluminum alloy pull, silver [A]

**B** metal pull, aluminum [A]

**C** metal pull, white [A]

**D** metal pull, black [A]

### Prices for Steps 1-4.

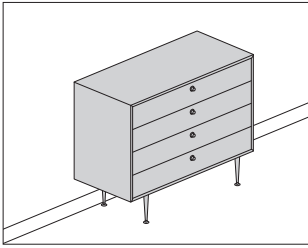
		A	B	C	D
<b>TE1618.</b>	<b>L H</b>	\$2054	2079	2079	2079

### Step 5. Case Finish

<b>OU</b>	walnut [A]				+\$0
<b>A2</b>	white ash [A]				+\$182
<b>RT</b>	walnut and dark brown walnut combination [A]				+\$182
<b>UR</b>	white ash and walnut combination [A]				+\$182
<b>9N</b>	santos palisander [A]				+\$6305

### Step 6. Back Panel

		OU	A2	RT	UR	9N
<b>BCF</b>	unfinished (matte black) [A]	+\$0	0	0	0	0
<b>BCG</b>	finished alike [A]	+\$155	155	155	155	1397



**Product Information**

**Description**

This chest has polished aluminum legs and either 3 or 4 drawers. Drawers are solid wood construction with soft closing slides.

**Notes**

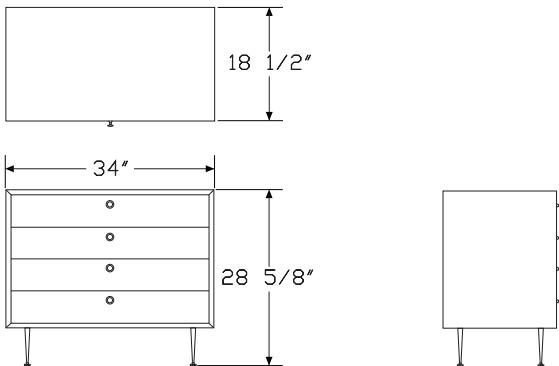
The unfinished back panel (BCF) option is intended for applications where this chest will be placed against a wall.

For the walnut and dark brown walnut combination (RT) option, the case finish is walnut (OU) and the drawer or door fronts are dark brown walnut (40).

For the white ash and walnut combination (UR) option, the case finish is white ash (A2) and the drawer or door fronts are walnut (OU).

Santos palisander veneer is celebrated for its unique grain and color variations. Similar products ordered in multiples or dissimilar products ordered separately should be expected to have variation in both grain and color characteristics; no two products will look exactly alike.

**Dimensions**



**Specification Information**

**Step 1.**

**TE2100.** A

**Step 2. Type**

- S** 4 drawer chest A
- T** 3 drawer chest A

**Step 3. Leg**

- H** 7" polished aluminum with height adjustable glide A

**Step 4. Pull**

- A** aluminum alloy pull, silver A
- B** metal pull, aluminum A
- C** metal pull, white A
- D** metal pull, black A

**Prices for Steps 1-4.**

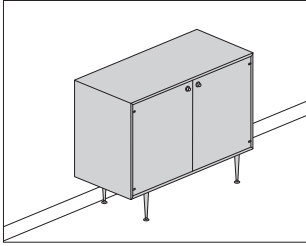
		A	B	C	D
<b>TE2100.</b>	<b>S H</b>	\$4774	4825	4825	4825
	<b>T H</b>	\$4535	4586	4586	4586

**Step 5. Case Finish**

- OU** walnut A +\$0
- A2** white ash A +\$233
- RT** walnut and dark brown walnut combination A +\$233
- UR** white ash and walnut combination A +\$233
- 9N** santos palisander A +\$6305

**Step 6. Back Panel**

		OU	A2	RT	UR	9N
<b>BCF</b>	unfinished (matte black) <span style="border: 1px solid black; padding: 0 2px;">A</span>	+\$0	0	0	0	0
<b>BCG</b>	finished alike <span style="border: 1px solid black; padding: 0 2px;">A</span>	+\$155	155	155	155	776



**Product Information**

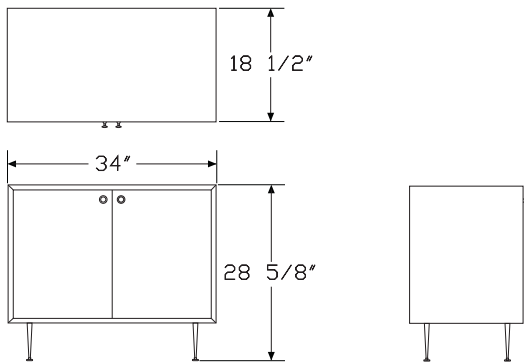
**Description**

This 2-door cabinet has polished aluminum legs and one adjustable shelf.

**Notes**

The unfinished back panel (BCF) option is intended for applications where this chest will be placed against a wall.  
 For the walnut and dark brown walnut combination (RT) option, the case finish is walnut (OU) and the drawer or door fronts are dark brown walnut (40).  
 For the white ash and walnut combination (UR) option, the case finish is white ash (A2) and the drawer or door fronts are walnut (OU).  
 Santos palisander veneer is celebrated for its unique grain and color variations. Similar products ordered in multiples or dissimilar products ordered separately should be expected to have variation in both grain and color characteristics; no two products will look exactly alike.

**Dimensions**



**Specification Information**

**Step 1.**

**TE2134.** [A]

**Step 2. Type**

**G** enclosed cabinet with 2 hinged doors [A]

**Step 3. Leg**

**H** 7" polished aluminum with height adjustable glide [A]

**Step 4. Pull**

- A** aluminum alloy pull, silver [A]
- B** metal pull, aluminum [A]
- C** metal pull, white [A]
- D** metal pull, black [A]

**Prices for Steps 1-4.**

	<b>A</b>	<b>B</b>	<b>C</b>	<b>D</b>
<b>TE2134. G H</b>	\$3737	3788	3788	3788

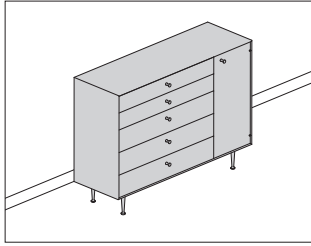
**Step 5. Case Finish**

<b>OU</b>	walnut [A]				+\$0
<b>A2</b>	white ash [A]				+\$182
<b>RT</b>	walnut and dark brown walnut combination [A]				+\$182
<b>UR</b>	white ash and walnut combination [A]				+\$182
<b>9N</b>	santos palisander [A]				+\$6305

**Step 6. Back Panel**

		<b>OU</b>	<b>A2</b>	<b>RT</b>	<b>UR</b>	<b>9N</b>
<b>BCF</b>	unfinished (matte black) [A]	+\$0	0	0	0	0
<b>BCG</b>	finished alike [A]	+\$155	155	155	155	1397

# Nelson™ Thin Edge Chest Cabinet TE3400



HermanMiller Collection—Storage

## Product Information

### Description

This chest cabinet has polished aluminum legs. The 5 drawers have solid wood construction with soft closing slides. The 1-door cabinet portion has 2 adjustable shelves.

### Notes

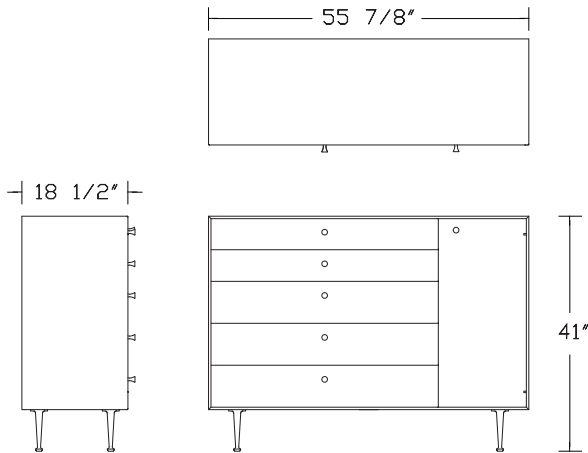
The unfinished back panel (BCF) option is intended for applications where this chest will be placed against a wall.

For the walnut and dark brown walnut combination (RT) option, the case finish is walnut (OU) and the drawer or door fronts are dark brown walnut (40).

For the white ash and walnut combination (UR) option, the case finish is white ash (A2) and the drawer or door fronts are walnut (OU).

Santos palisander veneer is celebrated for its unique grain and color variations. Similar products ordered in multiples or dissimilar products ordered separately should be expected to have variation in both grain and color characteristics; no two products will look exactly alike.

## Dimensions



## Specification Information

### Step 1.

**TE3400.** A

### Step 2. Type

**E** 5 drawer cabinet with 1 right door A

**M** 5 drawer cabinet with 1 left door A

### Step 3. Leg

**H** 7" polished aluminum with height adjustable glide A

### Step 4. Pull

**A** aluminum alloy pull, silver A

**B** metal pull, aluminum A

**C** metal pull, white A

**D** metal pull, black A

### Prices for Steps 1-4.

		A	B	C	D
<b>TE3400.</b>	<b>E H</b>	\$7980	8030	8030	8030
	<b>M H</b>	\$7980	8030	8030	8030

### Step 5. Case Finish

<b>OU</b>	walnut <span style="border: 1px solid black; padding: 0 2px;">A</span>				+\$0
<b>A2</b>	white ash <span style="border: 1px solid black; padding: 0 2px;">A</span>				+\$384
<b>RT</b>	walnut and dark brown walnut combination <span style="border: 1px solid black; padding: 0 2px;">A</span>				+\$384
<b>UR</b>	white ash and walnut combination <span style="border: 1px solid black; padding: 0 2px;">A</span>				+\$384
<b>9N</b>	santos palisander <span style="border: 1px solid black; padding: 0 2px;">A</span>				+\$8991

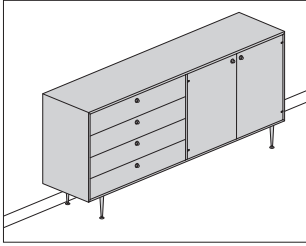
### Step 6. Back Panel

		OU	A2	RT	UR	9N
<b>BCF</b>	unfinished (matte black) <span style="border: 1px solid black; padding: 0 2px;">A</span>	+\$0	0	0	0	0
<b>BCG</b>	finished alike <span style="border: 1px solid black; padding: 0 2px;">A</span>	+\$260	260	260	260	2796



# Nelson™ Thin Edge Buffet

TE2167



## Product Information

### Description

This buffet has polished aluminum legs. The four drawers have solid wood construction with soft closing slides. The two-door cabinet portion has 2 adjustable shelves.

### Notes

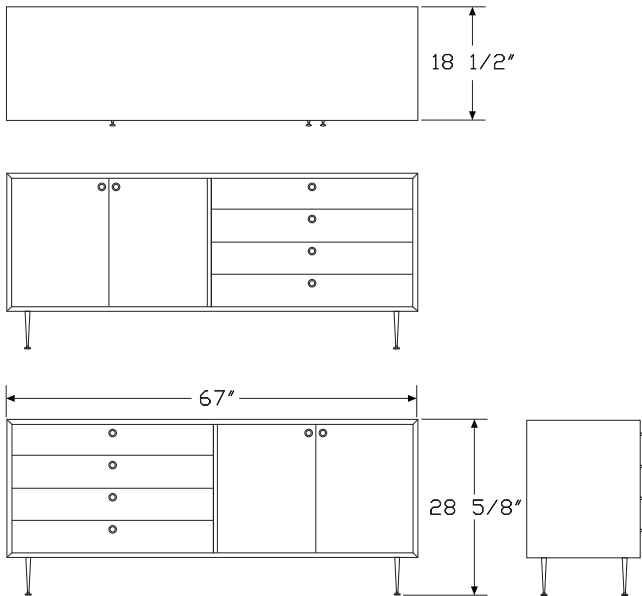
The unfinished back panel (BCF) option is intended for applications where this chest will be placed against a wall.

For the walnut and dark brown walnut combination (RT) option, the case finish is walnut (OU) and the drawer or door fronts are dark brown walnut (40).

For the white ash and walnut combination (UR) option, the case finish is white ash (A2) and the drawer or door fronts are walnut (OU).

Santos palisander veneer is celebrated for its unique grain and color variations. Similar products ordered in multiples or dissimilar products ordered separately should be expected to have variation in both grain and color characteristics; no two products will look exactly alike.

## Dimensions



## Specification Information

### Step 1.

**TE2167.** [A]

### Step 2. Type

**R** 4 drawer buffet with 2 doors [A]

**L** 4 drawer buffet with 2 left doors [A]

### Step 3. Leg

**H** 7" polished aluminum with height adjustable glide [A]

### Step 4. Pull

**A** aluminum alloy pull, silver [A]

**B** metal pull, aluminum [A]

**C** metal pull, white [A]

**D** metal pull, black [A]

### Prices for Steps 1-4.

		A	B	C	D
<b>TE2167.</b>	<b>R H</b>	\$7860	7911	7911	7911
	<b>L H</b>	\$7860	7911	7911	7911

### Step 5. Case Finish

**OU** walnut [A] +\$0

**A2** white ash [A] +\$384

**RT** walnut and dark brown walnut combination [A] +\$384

**UR** white ash and walnut combination [A] +\$384

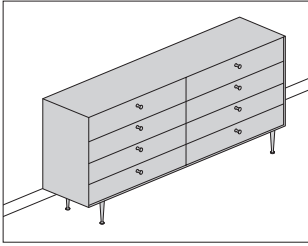
**9N** santos palisander [A] +\$8991

### Step 6. Back Panel

		OU	A2	RT	UR	9N
<b>BCF</b>	unfinished (matte black) [A]	+\$0	0	0	0	0
<b>BCG</b>	finished alike [A]	+\$260	260	260	260	2796

# Nelson™ Thin Edge Double Dresser

TE0204



HermanMiller Collection—Storage

## Product Information

### Description

This double dresser has polished aluminum legs. The 8 drawers have solid wood construction with soft closing slides.

### Notes

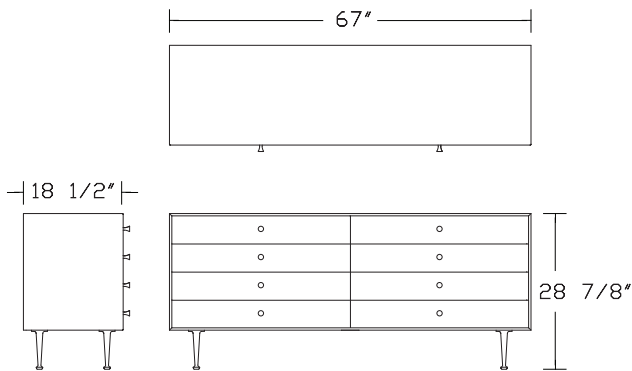
The unfinished back panel (BCF) option is intended for applications where this dresser will be placed against a wall.

For the walnut and dark brown walnut combination (RT) option, the case finish is walnut (OU) and the drawer or door fronts are dark brown walnut (40).

For the white ash and walnut combination (UR) option, the case finish is white ash (A2) and the drawer or door fronts are walnut (OU).

Santos palisander veneer is celebrated for its unique grain and color variations. Similar products ordered in multiples or dissimilar products ordered separately should be expected to have variation in both grain and color characteristics; no two products will look exactly alike.

## Dimensions



## Specification Information

### Step 1.

**TE0204.** A

### Step 2. Type

**J** eight drawer dresser A

### Step 3. Leg

**H** 7" polished aluminum with height adjustable glide A

### Step 4. Pull

**A** aluminum alloy pull, silver A

**B** metal pull, aluminum A

**C** metal pull, white A

**D** metal pull, black A

### Prices for Steps 1-4.

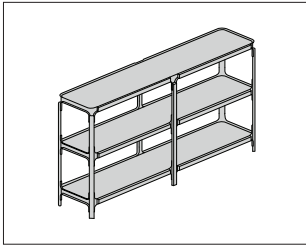
	A	B	C	D
<b>TE0204. J H</b>	\$6902	6953	6953	6953

### Step 5. Case Finish

<b>OU</b> walnut <span style="border: 1px solid black; padding: 0 2px;">A</span>				+\$0
<b>A2</b> white ash <span style="border: 1px solid black; padding: 0 2px;">A</span>				+\$384
<b>RT</b> walnut and dark brown walnut combination <span style="border: 1px solid black; padding: 0 2px;">A</span>				+\$384
<b>UR</b> white ash and walnut combination <span style="border: 1px solid black; padding: 0 2px;">A</span>				+\$384
<b>9N</b> santos palisander <span style="border: 1px solid black; padding: 0 2px;">A</span>				+\$8991

### Step 6. Back Panel

	OU	A2	RT	UR	9N
<b>BCF</b> unfinished (matte black) <span style="border: 1px solid black; padding: 0 2px;">A</span>	+\$0	0	0	0	0
<b>BCG</b> finished alike <span style="border: 1px solid black; padding: 0 2px;">A</span>	+\$260	260	260	260	2796

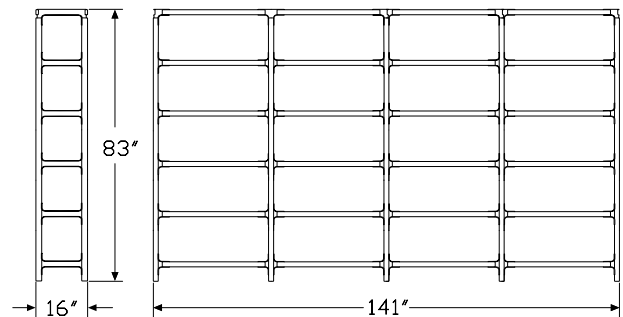
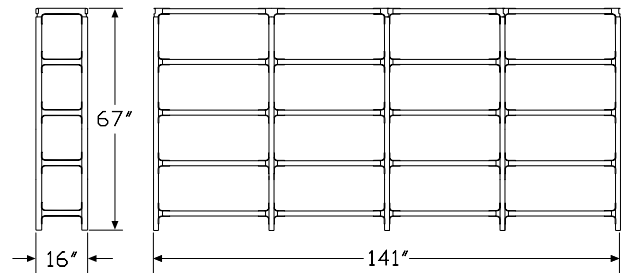
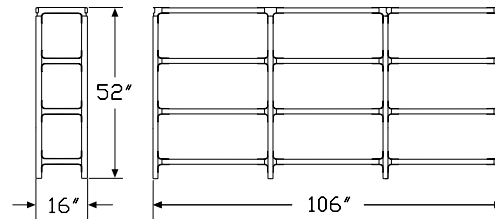
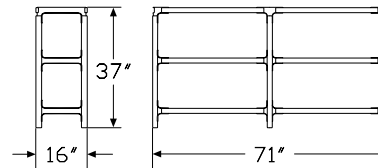
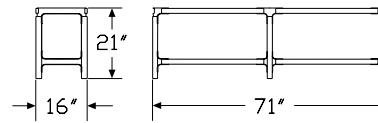


**Product Information**

**Description**

This shelving system has a natural beech frame, available in natural or painted. Steel plate joints are painted in epoxy resin. Shelves are painted medium-density fiberboard.

**Dimensions**



# Steelwood Shelving System

continued

HermanMiller Collection—Storage

## Specification Information

### Step 1.

MGS90.  A

### Step 2. Number of Shelves

2 2 shelves  A

3 3 shelves  A

4 4 shelves  A

5 5 shelves  A

6 6 shelves  A

### Step 3. Number of Modules

1 1 Module  A

2 2 modules  A

3 3 modules  A

4 4 modules  A

### Prices for Steps 1-3.

	1	2	3	4
MGS90.2	\$909	1682	2419	3176
3	\$1291	2366	3449	4541
4	\$1735	3139	4566	5960
5	\$2251	4015	5781	7550
6	\$2786	4967	7175	9335

### Step 4. Frame/Shelf Finish

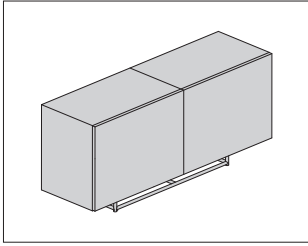
YMB black  A +\$0

YMC natural beech/white  A +\$0

YMF white  A +\$0

# Domino Credenza

IWCS2



### Product Information

#### Description

This credenza provides shelf storage, is 2 units wide, and comes with contrasting exterior and interior veneer. Standard interior veneer is ash, and exterior veneer is available in santos palisander, walnut, and ebony. Credenza back exterior is finished. Bases and pulls are metal with chrome or satin chrome finish. Hinged door units 26" high include 1 adjustable shelf that is 3/4" thick.

#### Notes

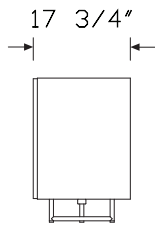
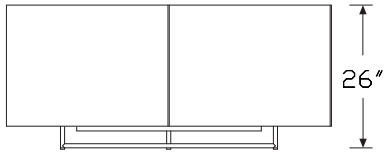
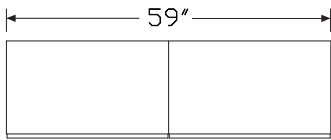
Locks are not available.

Shelves match interior finish.

Wood components in credenzas 2 and 3 units wide ship assembled.

Bases ship separately and must be field installed.

#### Dimensions



### Specification Information

#### Step 1.

**IWCS2C-185926** [A] \$4742

#### Step 2. Wood Finish

##### Matte Finishes

<b>DAE</b>	ebony exterior, ash interior [A]	+\$0
<b>DAR</b>	santos palisander exterior, ash interior [A]	+\$0
<b>DAW</b>	walnut exterior, ash interior [A]	+\$0

#### Step 3. Base Finish

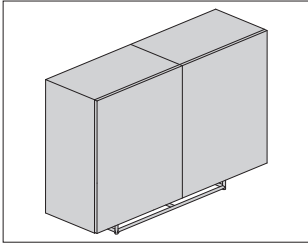
<b>CHR</b>	chrome [A]	+\$0
<b>SAC</b>	satin chrome [A]	+\$0

#### Step 4. Pull Finish

<b>CHR</b>	chrome [A]	+\$0
<b>SAC</b>	satin chrome [A]	+\$0

# Domino Sideboard

IWSS2



HermanMiller Collection—Storage

## Product Information

### Description

This sideboard provides shelf storage, is 2 units wide, and comes with contrasting exterior and interior veneer. Standard interior veneer is ash, and exterior veneer is available in santos palisander, walnut, and ebony. Credenza back exterior is finished. Bases and pulls are metal with chrome or satin chrome finish. Hinged door units 40" high include 2 adjustable shelves that are each  $\frac{3}{4}$ " thick.

### Notes

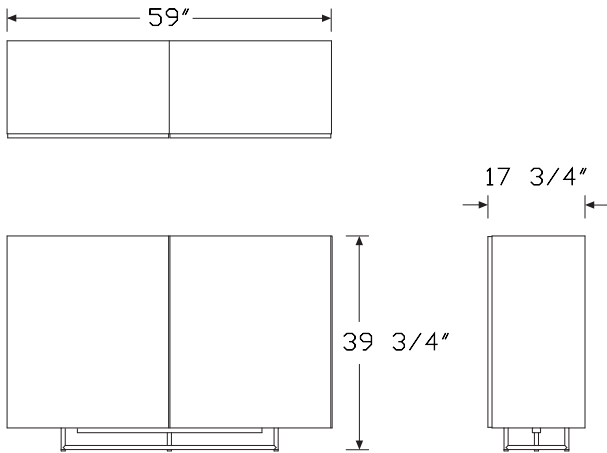
Locks are not available.

Shelves match interior finish.

Wood components in credenzas 2 and 3 units wide ship assembled.

Bases ship separately and must be field installed.

## Dimensions



## Specification Information

### Step 1.

**IWSS2C-185940** A \$5763

### Step 2. Wood Finish

#### Matte Finishes

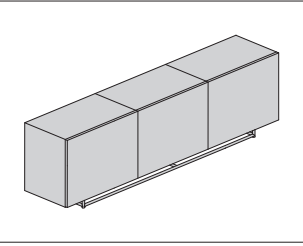
**DAE** ebony exterior, ash interior A +\$0  
**DAR** santos palisander exterior, ash interior A +\$0  
**DAW** walnut exterior, ash interior A +\$0

### Step 3. Base Finish

**CHR** chrome A +\$0  
**SAC** satin chrome A +\$0

### Step 4. Pull Finish

**CHR** chrome A +\$0  
**SAC** satin chrome A +\$0



**Product Information**

**Description**

This credenza provides shelf storage, is 3 units wide, and comes with contrasting exterior and interior veneer. Standard interior veneer is ash, and exterior veneer is available in santos palisander, walnut, and ebony. Credenza back exterior is finished. Bases and pulls are metal with chrome or satin chrome finish. Hinged door units 26" high include 1 adjustable shelf that is 3/4" thick.

**Notes**

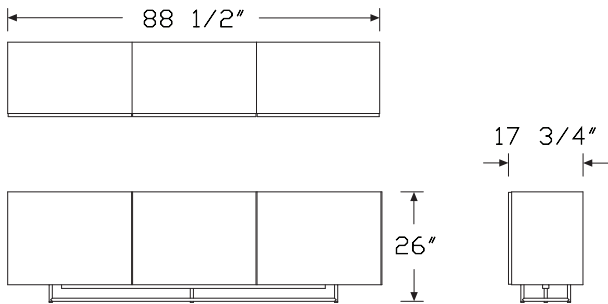
Locks are not available.

Shelves match interior finish.

Wood components in credenzas 2 and 3 units wide ship assembled.

Bases ship separately and must be field installed.

**Dimensions**



**Specification Information**

**Step 1.**

**IWCS3C-188926** A \$7115

**Step 2. Wood Finish**

**Matte Finishes**

<b>DAE</b>	ebony exterior, ash interior <span style="border: 1px solid black; padding: 0 2px;">A</span>	+\$0
<b>DAR</b>	santos palisander exterior, ash interior <span style="border: 1px solid black; padding: 0 2px;">A</span>	+\$0
<b>DAW</b>	walnut exterior, ash interior <span style="border: 1px solid black; padding: 0 2px;">A</span>	+\$0

**Step 3. Base Finish**

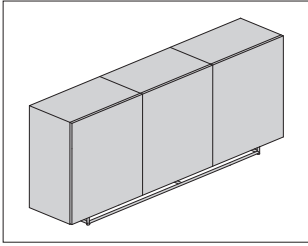
<b>CHR</b>	chrome <span style="border: 1px solid black; padding: 0 2px;">A</span>	+\$0
<b>SAC</b>	satin chrome <span style="border: 1px solid black; padding: 0 2px;">A</span>	+\$0

**Step 4. Pull Finish**

<b>CHR</b>	chrome <span style="border: 1px solid black; padding: 0 2px;">A</span>	+\$0
<b>SAC</b>	satin chrome <span style="border: 1px solid black; padding: 0 2px;">A</span>	+\$0

# Domino Sideboard

IWSS3



HermanMiller Collection—Storage

## Product Information

### Description

This sideboard provides shelf storage, is 3 units wide, and comes with contrasting exterior and interior veneer. Standard interior veneer is ash, and exterior veneer is available in santos palisander, walnut, and ebony. Credenza back exterior is finished. Bases and pulls are metal with chrome or satin chrome finish. Hinged door units 40" high include 2 adjustable shelves that are each  $\frac{3}{4}$ " thick.

### Notes

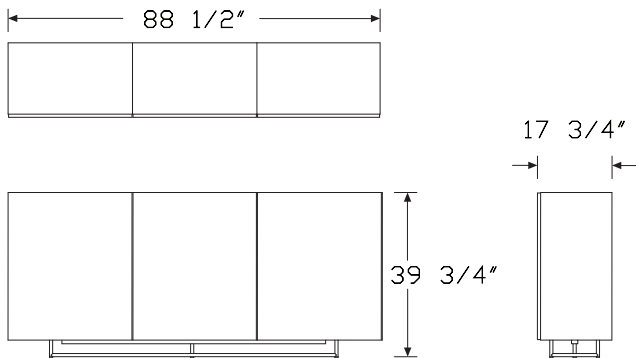
Locks are not available.

Shelves match interior finish.

Wood components in credenzas 2 and 3 units wide ship assembled.

Bases ship separately and must be field installed.

## Dimensions



## Specification Information

### Step 1.

**IWSS3C-188940** [A] \$8666

### Step 2. Wood Finish

#### Matte Finishes

**DAE** ebony exterior, ash interior [A] +\$0  
**DAR** santos palisander exterior, ash interior [A] +\$0  
**DAW** walnut exterior, ash interior [A] +\$0

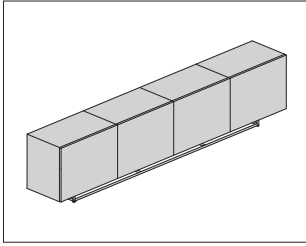
### Step 3. Base Finish

**CHR** chrome [A] +\$0  
**SAC** satin chrome [A] +\$0

### Step 4. Pull Finish

**CHR** chrome [A] +\$0  
**SAC** satin chrome [A] +\$0





**Product Information**

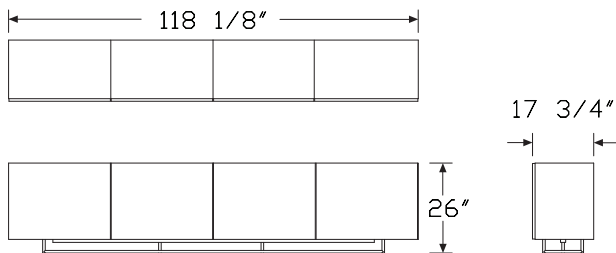
**Description**

This credenza provides shelf storage, is 4 units wide, and comes with contrasting exterior and interior veneer. Standard interior veneer is ash, and exterior veneer is available in santos palisander, walnut, and ebony. Credenza back exterior is finished. Bases and pulls are metal with chrome or satin chrome finish. Hinged door units 26" high include 1 adjustable shelf that is 3/4" thick.

**Notes**

- Locks are not available.
- Shelves match interior finish.
- Wood components in 4-unit-wide credenzas ship as 2 assembled units.
- Bases ship separately and must be field installed.

**Dimensions**



**Specification Information**

Step 1.

**IWCS4C-1811826** A \$9486

Step 2. Wood Finish

Matte Finishes

<b>DAE</b>	ebony exterior, ash interior	<span style="border: 1px solid black; padding: 0 2px;">A</span>	+\$0
<b>DAR</b>	santos palisander exterior, ash interior	<span style="border: 1px solid black; padding: 0 2px;">A</span>	+\$0
<b>DAW</b>	walnut exterior, ash interior	<span style="border: 1px solid black; padding: 0 2px;">A</span>	+\$0

Step 3. Base Finish

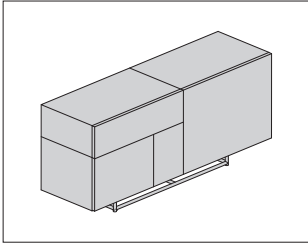
<b>CHR</b>	chrome	<span style="border: 1px solid black; padding: 0 2px;">A</span>	+\$0
<b>SAC</b>	satin chrome	<span style="border: 1px solid black; padding: 0 2px;">A</span>	+\$0

Step 4. Pull Finish

<b>CHR</b>	chrome	<span style="border: 1px solid black; padding: 0 2px;">A</span>	+\$0
<b>SAC</b>	satin chrome	<span style="border: 1px solid black; padding: 0 2px;">A</span>	+\$0

# Domino Credenza

IWCM2



HermanMiller Collection—Storage

## Product Information

### Description

This credenza provides mixed storage, is 2 units wide, and comes with contrasting exterior and interior veneer. Standard interior veneer is ash, and exterior veneer is available in santos palisander, walnut, and ebony. Credenza back exterior is finished. Drawer boxes are quarter cut natural ash, and waste bin is a removable quarter cut natural ash box. Drawer boxes and waste bin have a hand-rubbed tung oil finish. Bases and pulls are metal with chrome or satin chrome finish. File drawers include stainless steel rods for hanging folders. Hinged door units 26" high include 1 adjustable shelf that is 3/4" thick.

### Notes

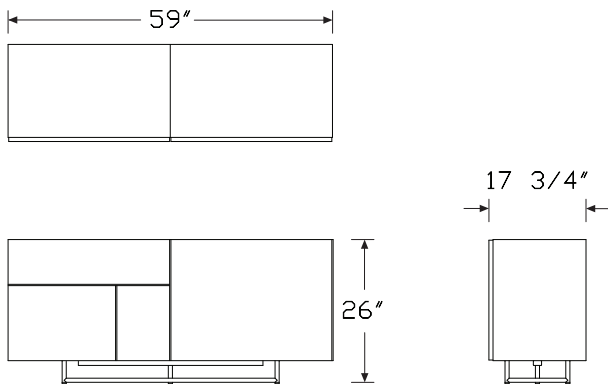
Locks are not available.

Shelves match interior finish.

Wood components in credenzas 2 and 3 units wide ship assembled.

Bases ship separately and must be field installed.

## Dimensions



## Specification Information

### Step 1.

**IWCM2C-185926** [A] \$10250

### Step 2. Wood Finish

#### Matte Finishes

<b>DAE</b>	ebony exterior, ash interior [A]	+\$0
<b>DAR</b>	santos palisander exterior, ash interior [A]	+\$0
<b>DAW</b>	walnut exterior, ash interior [A]	+\$0

### Step 3. Base Finish

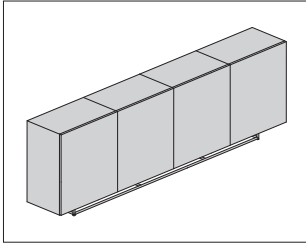
<b>CHR</b>	chrome [A]	+\$0
<b>SAC</b>	satin chrome [A]	+\$0

### Step 4. Pull Finish

<b>CHR</b>	chrome [A]	+\$0
<b>SAC</b>	satin chrome [A]	+\$0

# Domino Sideboard

IWSS4



## Product Information

### Description

This sideboard provides shelf storage, is 4 units wide, and comes with contrasting exterior and interior veneer. Standard interior veneer is ash, and exterior veneer is available in santos palisander, walnut, and ebony. Credenza back exterior is finished. Bases and pulls are metal with chrome or satin chrome finish. Hinged door units 40" high include 2 adjustable shelves that are each 3/4" thick.

### Notes

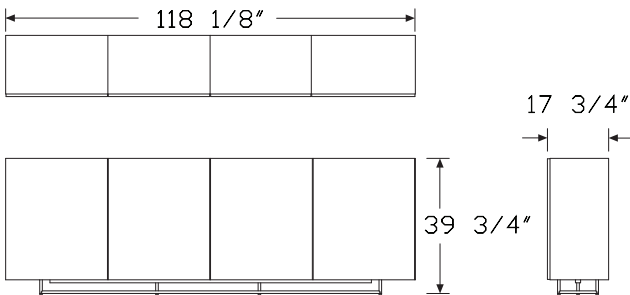
Locks are not available.

Shelves match interior finish.

Wood components in 4-unit-wide credenzas ship as 2 assembled units.

Bases ship separately and must be field installed.

### Dimensions



## Specification Information

### Step 1.

**IWSS4C-1811840** A \$11526

### Step 2. Wood Finish

#### Matte Finishes

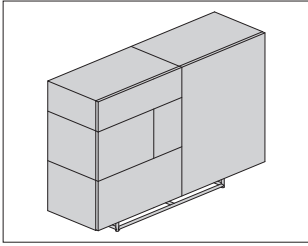
<b>DAE</b>	ebony exterior, ash interior <span style="border: 1px solid black; padding: 0 2px;">A</span>	+\$0
<b>DAR</b>	santos palisander exterior, ash interior <span style="border: 1px solid black; padding: 0 2px;">A</span>	+\$0
<b>DAW</b>	walnut exterior, ash interior <span style="border: 1px solid black; padding: 0 2px;">A</span>	+\$0

### Step 3. Base Finish

<b>CHR</b>	chrome <span style="border: 1px solid black; padding: 0 2px;">A</span>	+\$0
<b>SAC</b>	satin chrome <span style="border: 1px solid black; padding: 0 2px;">A</span>	+\$0

### Step 4. Pull Finish

<b>CHR</b>	chrome <span style="border: 1px solid black; padding: 0 2px;">A</span>	+\$0
<b>SAC</b>	satin chrome <span style="border: 1px solid black; padding: 0 2px;">A</span>	+\$0



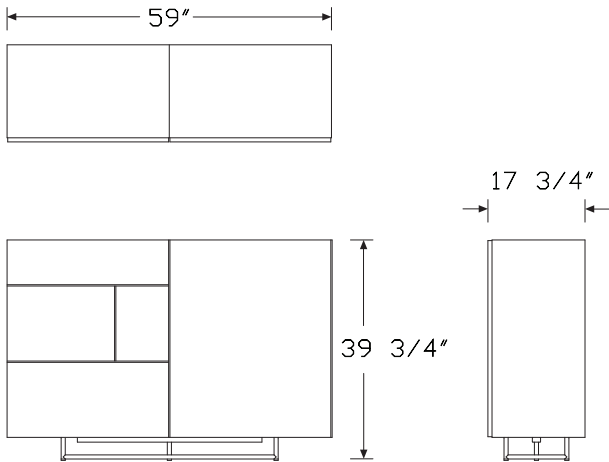
**Product Information**

**Description**  
 This sideboard provides mixed storage, is 2 units wide, and comes with contrasting exterior and interior veneer. Standard interior veneer is ash, and exterior veneer is available in santos palisander, walnut, and ebony. Credenza back exterior is finished. Drawer boxes are quarter cut natural ash, and waste bin is a removable quarter cut natural ash box. Drawer boxes and waste bin have a hand-rubbed tung oil finish. Bases and pulls are metal with chrome or satin chrome finish. File drawers include stainless steel rods for hanging folders. Hinged door units 40" high include 2 adjustable shelves that are each 3/4" thick.

**Notes**

Locks are not available.  
 Shelves match interior finish.  
 Wood components in credenzas 2 and 3 units wide ship assembled.  
 Bases ship separately and must be field installed.

**Dimensions**



**Specification Information**

Step 1.  
**IWSM2C-185940** [A] \$13270

Step 2. Wood Finish

Matte Finishes

- DAE** ebony exterior, ash interior [A] +\$0
- DAR** santos palisander exterior, ash interior [A] +\$0
- DAW** walnut exterior, ash interior [A] +\$0

Step 3. Base Finish

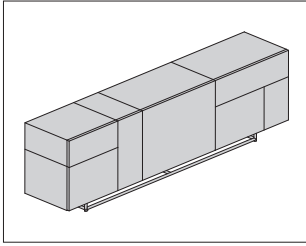
- CHR** chrome [A] +\$0
- SAC** satin chrome [A] +\$0

Step 4. Pull Finish

- CHR** chrome [A] +\$0
- SAC** satin chrome [A] +\$0

# Domino Credenza

IWCM3



### Product Information

#### Description

This credenza provides mixed storage, is 3 units wide, and comes with contrasting exterior and interior veneer. Standard interior veneer is ash, and exterior veneer is available in santos palisander, walnut, and ebony. Credenza back exterior is finished. Drawer boxes are quarter cut natural ash, and waste bin is a removable quarter cut natural ash box. Drawer boxes and waste bin have a hand-rubbed tung oil finish. Bases and pulls are metal with chrome or satin chrome finish. File drawers include stainless steel rods for hanging folders. Hinged door units 26" high include 1 adjustable shelf that is 3/4" thick.

#### Notes

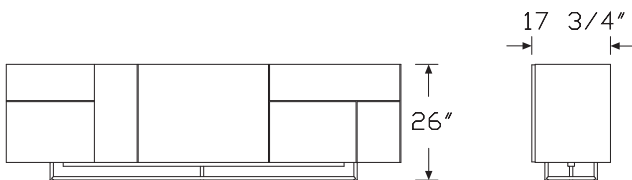
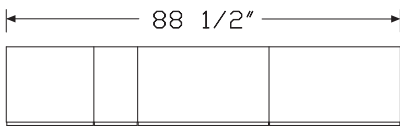
Locks are not available.

Shelves match interior finish.

Wood components in credenzas 2 and 3 units wide ship assembled.

Bases ship separately and must be field installed.

#### Dimensions



### Specification Information

#### Step 1.

**IWCM3C-188926** A \$17812

#### Step 2. Wood Finish

##### Matte Finishes

<b>DAE</b>	ebony exterior, ash interior <span style="border: 1px solid black; padding: 0 2px;">A</span>	+\$0
<b>DAR</b>	santos palisander exterior, ash interior <span style="border: 1px solid black; padding: 0 2px;">A</span>	+\$0
<b>DAW</b>	walnut exterior, ash interior <span style="border: 1px solid black; padding: 0 2px;">A</span>	+\$0

#### Step 3. Base Finish

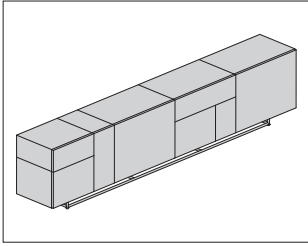
<b>CHR</b>	chrome <span style="border: 1px solid black; padding: 0 2px;">A</span>	+\$0
<b>SAC</b>	satin chrome <span style="border: 1px solid black; padding: 0 2px;">A</span>	+\$0

#### Step 4. Pull Finish

<b>CHR</b>	chrome <span style="border: 1px solid black; padding: 0 2px;">A</span>	+\$0
<b>SAC</b>	satin chrome <span style="border: 1px solid black; padding: 0 2px;">A</span>	+\$0

# Domino Credenza

IWCM4



HermanMiller Collection—Storage

## Product Information

### Description

This credenza provides mixed storage, is 4 units wide, and comes with contrasting exterior and interior veneer. Standard interior veneer is ash, and exterior veneer is available in santos palisander, walnut, and ebony. Credenza back exterior is finished. Drawer boxes are quarter cut natural ash, and waste bin is a removable quarter cut natural ash box. Drawer boxes and waste bin have a hand-rubbed tung oil finish. Bases and pulls are metal with chrome or satin chrome finish. File drawers include stainless steel rods for hanging folders. Hinged door units 26" high include 1 adjustable shelf that is 3/4" thick.

### Notes

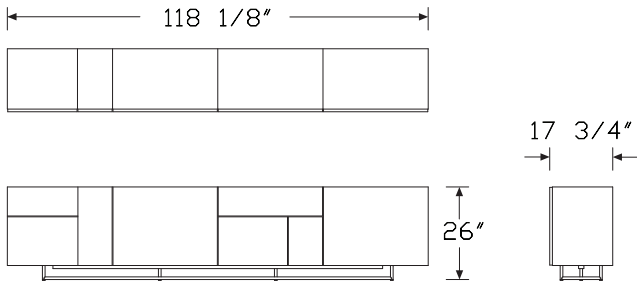
Locks are not available.

Shelves match interior finish.

Wood components in 4-unit-wide credenzas ship as 2 assembled units.

Bases ship separately and must be field installed.

## Dimensions



## Specification Information

### Step 1.

**IWCM4C-1811826** [A] \$20183

### Step 2. Wood Finish

#### Matte Finishes

<b>DAE</b>	ebony exterior, ash interior [A]	+\$0
<b>DAR</b>	santos palisander exterior, ash interior [A]	+\$0
<b>DAW</b>	walnut exterior, ash interior [A]	+\$0

### Step 3. Base Finish

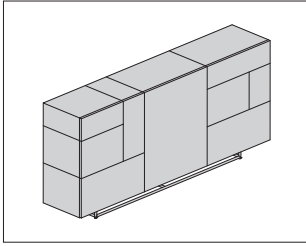
<b>CHR</b>	chrome [A]	+\$0
<b>SAC</b>	satin chrome [A]	+\$0

### Step 4. Pull Finish

<b>CHR</b>	chrome [A]	+\$0
<b>SAC</b>	satin chrome [A]	+\$0

# Domino Sideboard

IWSM3



### Product Information

#### Description

This sideboard provides mixed storage, is 3 units wide, and comes with contrasting exterior and interior veneer. Standard interior veneer is ash, and exterior veneer is available in santos palisander, walnut, and ebony. Credenza back exterior is finished. Drawer boxes are quarter cut natural ash, and waste bin is a removable quarter cut natural ash box. Drawer boxes and waste bin have a hand-rubbed tung oil finish. Bases and pulls are metal with chrome or satin chrome finish. File drawers include stainless steel rods for hanging folders. Hinged door units 40" high include 2 adjustable shelves that are each 3/4" thick.

#### Notes

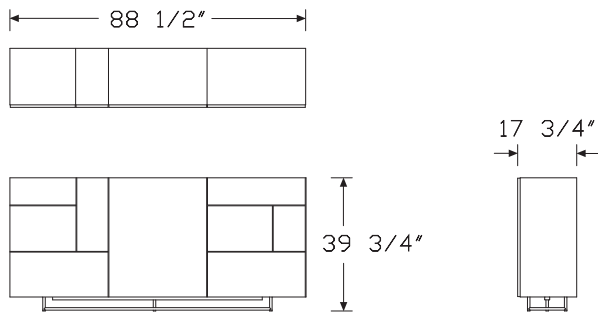
Locks are not available.

Shelves match interior finish.

Wood components in credenzas 2 and 3 units wide ship assembled.

Bases ship separately and must be field installed.

#### Dimensions



### Specification Information

#### Step 1.

**IWSM3C-188940** A \$23703

#### Step 2. Wood Finish

##### Matte Finishes

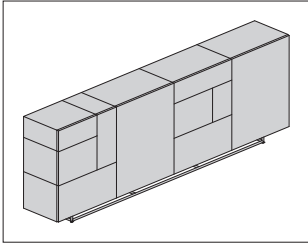
<b>DAE</b>	ebony exterior, ash interior <span style="border: 1px solid black; padding: 0 2px;">A</span>	+ \$0
<b>DAR</b>	santos palisander exterior, ash interior <span style="border: 1px solid black; padding: 0 2px;">A</span>	+ \$0
<b>DAW</b>	walnut exterior, ash interior <span style="border: 1px solid black; padding: 0 2px;">A</span>	+ \$0

#### Step 3. Base Finish

<b>CHR</b>	chrome <span style="border: 1px solid black; padding: 0 2px;">A</span>	+ \$0
<b>SAC</b>	satin chrome <span style="border: 1px solid black; padding: 0 2px;">A</span>	+ \$0

#### Step 4. Pull Finish

<b>CHR</b>	chrome <span style="border: 1px solid black; padding: 0 2px;">A</span>	+ \$0
<b>SAC</b>	satin chrome <span style="border: 1px solid black; padding: 0 2px;">A</span>	+ \$0



**Product Information**

**Description**

This sideboard provides mixed storage, is 4 units wide, and comes with contrasting exterior and interior veneer. Standard interior veneer is ash, and exterior veneer is available in santos palisander, walnut, and ebony. Credenza back exterior is finished. Drawer boxes are quarter cut natural ash, and waste bin is a removable quarter cut natural ash box. Drawer boxes and waste bin have a hand-rubbed tung oil finish. Bases and pulls are metal with chrome or satin chrome finish. File drawers include stainless steel rods for hanging folders. Hinged door units 40" high include 2 adjustable shelves that are each 3/4" thick.

**Notes**

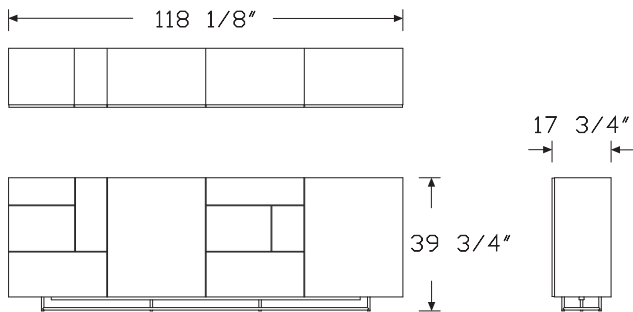
Locks are not available.

Shelves match interior finish.

Wood components in 4-unit-wide credenzas ship as 2 assembled units.

Bases ship separately and must be field installed.

**Dimensions**



**Specification Information**

**Step 1.**

**IWSM4C-1811840** [A] \$26209

**Step 2. Wood Finish**

**Matte Finishes**

<b>DAE</b>	ebony exterior, ash interior [A]	+\$0
<b>DAR</b>	santos palisander exterior, ash interior [A]	+\$0
<b>DAW</b>	walnut exterior, ash interior [A]	+\$0

**Step 3. Base Finish**

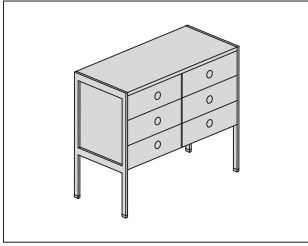
<b>CHR</b>	chrome [A]	+\$0
<b>SAC</b>	satin chrome [A]	+\$0

**Step 4. Pull Finish**

<b>CHR</b>	chrome [A]	+\$0
<b>SAC</b>	satin chrome [A]	+\$0



H-Frame Credenza One Unit Wide JCH1-



**Product Information**

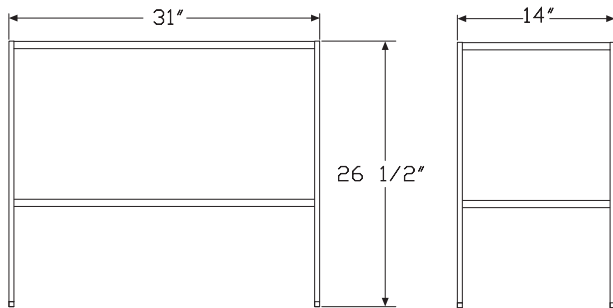
**Description**

This one-unit wide H-frame credenza has a wooden top and includes 1/2"-thick metal frame gables on the ends. H-frame credenzas are modular and shipped partially assembled.

**Notes**

All hardware for assembly is included.  
 Drawer credenzas include wood boxes and self-closing hidden drawer slides.  
 CG six box drawer credenza includes pencil trays and felt lining in bottom of top two drawers.  
 When applicable, Ward Bennett Flip pulls come in matching metal finish.  
 Santos palisander veneer is celebrated for its unique grain and color variations. Similar products ordered in multiples or dissimilar products ordered separately should be expected to have variation in both grain and color characteristics; no two products will look exactly alike.

**Dimensions**



**Specification Information**

**Step 1.**

**JCH1** A

**Step 2. Size**

**-1431** 14" deep x 31" wide x 26 1/2" high A

**Step 3. Configuration**

- C1** open shelf A
- C2** two doors A
- CF** two 15" file drawers A
- CG** six box drawers (top two pencil trays) A
- CH** one file drawer A
- CK** three box drawers A

**Prices for Steps 1-3.**

<b>JCH1-1431</b>	<b>-C1</b>	\$2493
	<b>-C2</b>	\$3577
	<b>-CF</b>	\$3802
	<b>-CG</b>	\$5259
	<b>-CH</b>	\$3715
	<b>-CK</b>	\$4437

**Step 4. Wood Finish**

**Premium Veneer - Low Sheen**

*For open shelf (-C1)*

<b>921</b>	champagne beech (natural) <span style="border: 1px solid black; padding: 0 2px;">A</span>	+\$0
<b>931</b>	champagne anigre (natural) <span style="border: 1px solid black; padding: 0 2px;">A</span>	+\$459
<b>932</b>	sundance anigre <span style="border: 1px solid black; padding: 0 2px;">A</span>	+\$459
<b>933</b>	caramel anigre <span style="border: 1px solid black; padding: 0 2px;">A</span>	+\$459
<b>934</b>	henna anigre <span style="border: 1px solid black; padding: 0 2px;">A</span>	+\$459
<b>941</b>	natural beech <span style="border: 1px solid black; padding: 0 2px;">A</span>	+\$0
<b>942</b>	sundance cherry (natural) <span style="border: 1px solid black; padding: 0 2px;">A</span>	+\$0
<b>943</b>	caramel cherry <span style="border: 1px solid black; padding: 0 2px;">A</span>	+\$0
<b>944</b>	henna cherry <span style="border: 1px solid black; padding: 0 2px;">A</span>	+\$0
<b>945</b>	port cherry <span style="border: 1px solid black; padding: 0 2px;">A</span>	+\$0
<b>946</b>	cocoa cherry <span style="border: 1px solid black; padding: 0 2px;">A</span>	+\$0
<b>951</b>	natural anigre <span style="border: 1px solid black; padding: 0 2px;">A</span>	+\$998
<b>954</b>	henna sapele <span style="border: 1px solid black; padding: 0 2px;">A</span>	+\$0
<b>955</b>	port sapele <span style="border: 1px solid black; padding: 0 2px;">A</span>	+\$0
<b>956</b>	cocoa sapele <span style="border: 1px solid black; padding: 0 2px;">A</span>	+\$0
<b>957</b>	espresso sapele <span style="border: 1px solid black; padding: 0 2px;">A</span>	+\$0
<b>962</b>	toasted walnut, low sheen <span style="border: 1px solid black; padding: 0 2px;">A</span>	+\$0
<b>963</b>	charred walnut, low sheen <span style="border: 1px solid black; padding: 0 2px;">A</span>	+\$0
<b>964</b>	bronzed walnut, low sheen <span style="border: 1px solid black; padding: 0 2px;">A</span>	+\$0
<b>965</b>	smoked walnut, low sheen <span style="border: 1px solid black; padding: 0 2px;">A</span>	+\$0

# H-Frame Credenza One Unit Wide

continued

HermanMiller Collection—Storage

<b>966</b>	coffee walnut, low sheen <span style="border: 1px solid black; padding: 0 2px;">A</span>	+\$0
<b>967</b>	smoked paldao, low sheen <span style="border: 1px solid black; padding: 0 2px;">A</span>	+\$374
<b>969</b>	warm paldao, low sheen <span style="border: 1px solid black; padding: 0 2px;">A</span>	+\$374
<b>973</b>	caramel walnut <span style="border: 1px solid black; padding: 0 2px;">A</span>	+\$0
<b>974</b>	henna walnut <span style="border: 1px solid black; padding: 0 2px;">A</span>	+\$0
<b>975</b>	port walnut <span style="border: 1px solid black; padding: 0 2px;">A</span>	+\$0
<b>976</b>	cocoa walnut <span style="border: 1px solid black; padding: 0 2px;">A</span>	+\$0
<b>977</b>	chocolate ash, low sheen <span style="border: 1px solid black; padding: 0 2px;">A</span>	+\$0
<b>978</b>	natural oak <span style="border: 1px solid black; padding: 0 2px;">A</span>	+\$0
<b>981</b>	champagne hickory (natural) <span style="border: 1px solid black; padding: 0 2px;">A</span>	+\$0
<b>98R</b>	recograin rosewood <span style="border: 1px solid black; padding: 0 2px;">A</span>	+\$0
<b>991</b>	champagne ash <span style="border: 1px solid black; padding: 0 2px;">A</span>	+\$0
<b>998</b>	ebony ash <span style="border: 1px solid black; padding: 0 2px;">A</span>	+\$0
<b>99A</b>	recograin frosty ash <span style="border: 1px solid black; padding: 0 2px;">A</span>	+\$0
<b>99R</b>	recograin rosewood <span style="border: 1px solid black; padding: 0 2px;">A</span>	+\$0
<b>99T</b>	recograin teak <span style="border: 1px solid black; padding: 0 2px;">A</span>	+\$0
<b>9A1</b>	white ash, quarter cut, low sheen <span style="border: 1px solid black; padding: 0 2px;">A</span>	+\$0
<b>9K1</b>	rift oak, rift cut, low sheen <span style="border: 1px solid black; padding: 0 2px;">A</span>	+\$0
<b>9K6</b>	burnt oak, rift cut, low sheen <span style="border: 1px solid black; padding: 0 2px;">A</span>	+\$0
<b>ED</b>	aged cherry <span style="border: 1px solid black; padding: 0 2px;">A</span>	+\$0
<b>EK</b>	medium red walnut <span style="border: 1px solid black; padding: 0 2px;">A</span>	+\$0
<b>G2U</b>	light brown walnut, low sheen <span style="border: 1px solid black; padding: 0 2px;">A</span>	+\$0
<b>G40</b>	dark brown walnut, low sheen <span style="border: 1px solid black; padding: 0 2px;">A</span>	+\$0
<b>UX</b>	walnut on cherry <span style="border: 1px solid black; padding: 0 2px;">A</span>	+\$0

---

## Premium Veneer - Matte

### For open shelf (-C1)

<b>662</b>	toasted walnut, matte sheen <span style="border: 1px solid black; padding: 0 2px;">A</span>	+\$0
<b>663</b>	charred walnut, matte sheen <span style="border: 1px solid black; padding: 0 2px;">A</span>	+\$0
<b>664</b>	bronzed walnut, matte sheen <span style="border: 1px solid black; padding: 0 2px;">A</span>	+\$0
<b>665</b>	smoked walnut, matte sheen <span style="border: 1px solid black; padding: 0 2px;">A</span>	+\$0
<b>666</b>	coffee walnut, matte sheen <span style="border: 1px solid black; padding: 0 2px;">A</span>	+\$0
<b>667</b>	smoked paldao, quarter cut, matte sheen <span style="border: 1px solid black; padding: 0 2px;">A</span>	+\$374
<b>669</b>	warm paldao, quarter cut, matte sheen <span style="border: 1px solid black; padding: 0 2px;">A</span>	+\$374
<b>66A</b>	recograin frosty ash <span style="border: 1px solid black; padding: 0 2px;">A</span>	+\$0
<b>677</b>	chocolate ash, matte sheen <span style="border: 1px solid black; padding: 0 2px;">A</span>	+\$0
<b>678</b>	natural oak <span style="border: 1px solid black; padding: 0 2px;">A</span>	+\$0
<b>68R</b>	recograin rosewood <span style="border: 1px solid black; padding: 0 2px;">A</span>	+\$0
<b>69A</b>	recograin frosty ash <span style="border: 1px solid black; padding: 0 2px;">A</span>	+\$0
<b>69R</b>	recograin rosewood <span style="border: 1px solid black; padding: 0 2px;">A</span>	+\$0
<b>69T</b>	recograin teak <span style="border: 1px solid black; padding: 0 2px;">A</span>	+\$0
<b>6A1</b>	white ash <span style="border: 1px solid black; padding: 0 2px;">A</span>	+\$0
<b>6A2</b>	platinum ash <span style="border: 1px solid black; padding: 0 2px;">A</span>	+\$0
<b>6K1</b>	rift oak <span style="border: 1px solid black; padding: 0 2px;">A</span>	+\$0
<b>6K6</b>	burnt oak <span style="border: 1px solid black; padding: 0 2px;">A</span>	+\$0
<b>ET</b>	clear on ash <span style="border: 1px solid black; padding: 0 2px;">A</span>	+\$0
<b>EU</b>	oak on ash <span style="border: 1px solid black; padding: 0 2px;">A</span>	+\$0
<b>EV</b>	walnut on ash <span style="border: 1px solid black; padding: 0 2px;">A</span>	+\$0
<b>GOU</b>	natural walnut, flat cut, matte sheen <span style="border: 1px solid black; padding: 0 2px;">A</span>	+\$0

---

## RecoGrain Veneer

### For open shelf (-C1)

<b>66G</b>	recograin wenge <span style="border: 1px solid black; padding: 0 2px;">A</span>	-\$125
<b>68W</b>	recograin walnut, flat cut, matte sheen <span style="border: 1px solid black; padding: 0 2px;">A</span>	-\$125
<b>69G</b>	recograin wenge <span style="border: 1px solid black; padding: 0 2px;">A</span>	-\$125
<b>69K</b>	recograin oak, quarter cut, matte sheen <span style="border: 1px solid black; padding: 0 2px;">A</span>	-\$125
<b>69W</b>	recograin walnut, quarter cut, matte sheen <span style="border: 1px solid black; padding: 0 2px;">A</span>	-\$125

---

## Recon Veneer -

### For open shelf (-C1)

<b>96G</b>	wenge recograin, quarter cut, low sheen <span style="border: 1px solid black; padding: 0 2px;">A</span>	-\$125
<b>98W</b>	recograin walnut, flat cut, low sheen <span style="border: 1px solid black; padding: 0 2px;">A</span>	-\$125
<b>99G</b>	recograin wenge, quarter cut, low sheen <span style="border: 1px solid black; padding: 0 2px;">A</span>	-\$125
<b>99K</b>	recograin oak, quarter cut, low sheen <span style="border: 1px solid black; padding: 0 2px;">A</span>	-\$125
<b>99W</b>	recograin walnut, quarter cut, low sheen <span style="border: 1px solid black; padding: 0 2px;">A</span>	-\$125

# H-Frame Credenza One Unit Wide

continued

## Premium Veneer - Low Sheen

For two doors (-C2)

<b>931</b>	champagne anigre (natural) <span style="border: 1px solid black; padding: 0 2px;">A</span>	+\$658
<b>932</b>	sundance anigre <span style="border: 1px solid black; padding: 0 2px;">A</span>	+\$658
<b>933</b>	caramel anigre <span style="border: 1px solid black; padding: 0 2px;">A</span>	+\$658
<b>934</b>	henna anigre <span style="border: 1px solid black; padding: 0 2px;">A</span>	+\$658
<b>941</b>	natural beech <span style="border: 1px solid black; padding: 0 2px;">A</span>	+\$0
<b>942</b>	sundance cherry (natural) <span style="border: 1px solid black; padding: 0 2px;">A</span>	+\$0
<b>943</b>	caramel cherry <span style="border: 1px solid black; padding: 0 2px;">A</span>	+\$0
<b>946</b>	cocoa cherry <span style="border: 1px solid black; padding: 0 2px;">A</span>	+\$0
<b>951</b>	natural anigre <span style="border: 1px solid black; padding: 0 2px;">A</span>	+\$1432
<b>956</b>	cocoa sapele <span style="border: 1px solid black; padding: 0 2px;">A</span>	+\$0
<b>962</b>	toasted walnut, low sheen <span style="border: 1px solid black; padding: 0 2px;">A</span>	+\$0
<b>963</b>	charred walnut, low sheen <span style="border: 1px solid black; padding: 0 2px;">A</span>	+\$0
<b>964</b>	bronzed walnut, low sheen <span style="border: 1px solid black; padding: 0 2px;">A</span>	+\$0
<b>965</b>	smoked walnut, low sheen <span style="border: 1px solid black; padding: 0 2px;">A</span>	+\$0
<b>966</b>	coffee walnut, low sheen <span style="border: 1px solid black; padding: 0 2px;">A</span>	+\$0
<b>967</b>	smoked paldao, low sheen <span style="border: 1px solid black; padding: 0 2px;">A</span>	+\$537
<b>969</b>	warm paldao, low sheen <span style="border: 1px solid black; padding: 0 2px;">A</span>	+\$537
<b>977</b>	chocolate ash, low sheen <span style="border: 1px solid black; padding: 0 2px;">A</span>	+\$0
<b>978</b>	natural oak <span style="border: 1px solid black; padding: 0 2px;">A</span>	+\$0
<b>981</b>	champagne hickory (natural) <span style="border: 1px solid black; padding: 0 2px;">A</span>	+\$0
<b>98R</b>	recograin rosewood <span style="border: 1px solid black; padding: 0 2px;">A</span>	+\$0
<b>991</b>	champagne ash <span style="border: 1px solid black; padding: 0 2px;">A</span>	+\$0
<b>998</b>	ebony ash <span style="border: 1px solid black; padding: 0 2px;">A</span>	+\$0
<b>99A</b>	recograin frosty ash <span style="border: 1px solid black; padding: 0 2px;">A</span>	+\$0
<b>99R</b>	recograin rosewood <span style="border: 1px solid black; padding: 0 2px;">A</span>	+\$0
<b>99T</b>	recograin teak <span style="border: 1px solid black; padding: 0 2px;">A</span>	+\$0
<b>9A1</b>	white ash, quarter cut, low sheen <span style="border: 1px solid black; padding: 0 2px;">A</span>	+\$0
<b>9K1</b>	rift oak, rift cut, low sheen <span style="border: 1px solid black; padding: 0 2px;">A</span>	+\$0
<b>9K6</b>	burnt oak, rift cut, low sheen <span style="border: 1px solid black; padding: 0 2px;">A</span>	+\$0
<b>ED</b>	aged cherry <span style="border: 1px solid black; padding: 0 2px;">A</span>	+\$0
<b>EK</b>	medium red walnut <span style="border: 1px solid black; padding: 0 2px;">A</span>	+\$0
<b>G2U</b>	light brown walnut, low sheen <span style="border: 1px solid black; padding: 0 2px;">A</span>	+\$0
<b>G40</b>	dark brown walnut, low sheen <span style="border: 1px solid black; padding: 0 2px;">A</span>	+\$0
<b>UX</b>	walnut on cherry <span style="border: 1px solid black; padding: 0 2px;">A</span>	+\$0

## Premium Veneer - Matte

For two doors (-C2)

<b>662</b>	toasted walnut, matte sheen <span style="border: 1px solid black; padding: 0 2px;">A</span>	+\$0
<b>663</b>	charred walnut, matte sheen <span style="border: 1px solid black; padding: 0 2px;">A</span>	+\$0
<b>664</b>	bronzed walnut, matte sheen <span style="border: 1px solid black; padding: 0 2px;">A</span>	+\$0
<b>665</b>	smoked walnut, matte sheen <span style="border: 1px solid black; padding: 0 2px;">A</span>	+\$0
<b>666</b>	coffee walnut, matte sheen <span style="border: 1px solid black; padding: 0 2px;">A</span>	+\$0
<b>66A</b>	recograin frosty ash <span style="border: 1px solid black; padding: 0 2px;">A</span>	+\$0
<b>677</b>	chocolate ash, matte sheen <span style="border: 1px solid black; padding: 0 2px;">A</span>	+\$0
<b>678</b>	natural oak <span style="border: 1px solid black; padding: 0 2px;">A</span>	+\$0
<b>68R</b>	recograin rosewood <span style="border: 1px solid black; padding: 0 2px;">A</span>	+\$0
<b>69A</b>	recograin frosty ash <span style="border: 1px solid black; padding: 0 2px;">A</span>	+\$0
<b>69R</b>	recograin rosewood <span style="border: 1px solid black; padding: 0 2px;">A</span>	+\$0
<b>69T</b>	recograin teak <span style="border: 1px solid black; padding: 0 2px;">A</span>	+\$0
<b>6A1</b>	white ash <span style="border: 1px solid black; padding: 0 2px;">A</span>	+\$0
<b>6K1</b>	rift oak <span style="border: 1px solid black; padding: 0 2px;">A</span>	+\$0
<b>6K6</b>	burnt oak <span style="border: 1px solid black; padding: 0 2px;">A</span>	+\$0
<b>ET</b>	clear on ash <span style="border: 1px solid black; padding: 0 2px;">A</span>	+\$0
<b>EU</b>	oak on ash <span style="border: 1px solid black; padding: 0 2px;">A</span>	+\$0
<b>EV</b>	walnut on ash <span style="border: 1px solid black; padding: 0 2px;">A</span>	+\$0
<b>GOU</b>	natural walnut, flat cut, matte sheen <span style="border: 1px solid black; padding: 0 2px;">A</span>	+\$0

## RecoGrain Veneer

For two doors (-C2)

<b>66G</b>	recograin wenge <span style="border: 1px solid black; padding: 0 2px;">A</span>	-\$179
<b>68W</b>	recograin walnut, flat cut, matte sheen <span style="border: 1px solid black; padding: 0 2px;">A</span>	-\$179
<b>69G</b>	recograin wenge <span style="border: 1px solid black; padding: 0 2px;">A</span>	-\$179
<b>69K</b>	recograin oak, quarter cut, matte sheen <span style="border: 1px solid black; padding: 0 2px;">A</span>	-\$179
<b>69W</b>	recograin walnut, quarter cut, matte sheen <span style="border: 1px solid black; padding: 0 2px;">A</span>	-\$179

## Recon Veneer -

For two doors (-C2)

<b>96G</b>	wenge recograin, quarter cut, low sheen <span style="border: 1px solid black; padding: 0 2px;">A</span>	-\$179
<b>98W</b>	recograin walnut, flat cut, low sheen <span style="border: 1px solid black; padding: 0 2px;">A</span>	-\$179
<b>99G</b>	recograin wenge, quarter cut, low sheen <span style="border: 1px solid black; padding: 0 2px;">A</span>	-\$179
<b>99K</b>	recograin oak, quarter cut, low sheen <span style="border: 1px solid black; padding: 0 2px;">A</span>	-\$179
<b>99W</b>	recograin walnut, quarter cut, low sheen <span style="border: 1px solid black; padding: 0 2px;">A</span>	-\$179

# H-Frame Credenza One Unit Wide

continued

HermanMiller Collection—Storage

## Premium Veneer - Low Sheen

For two 15" file drawers (-CF)

<b>931</b>	champagne anigre (natural) <span style="border: 1px solid black; padding: 0 2px;">A</span>	+\$699
<b>932</b>	sundance anigre <span style="border: 1px solid black; padding: 0 2px;">A</span>	+\$699
<b>933</b>	caramel anigre <span style="border: 1px solid black; padding: 0 2px;">A</span>	+\$699
<b>934</b>	henna anigre <span style="border: 1px solid black; padding: 0 2px;">A</span>	+\$699
<b>941</b>	natural beech <span style="border: 1px solid black; padding: 0 2px;">A</span>	+\$0
<b>942</b>	sundance cherry (natural) <span style="border: 1px solid black; padding: 0 2px;">A</span>	+\$0
<b>943</b>	caramel cherry <span style="border: 1px solid black; padding: 0 2px;">A</span>	+\$0
<b>946</b>	cocoa cherry <span style="border: 1px solid black; padding: 0 2px;">A</span>	+\$0
<b>951</b>	natural anigre <span style="border: 1px solid black; padding: 0 2px;">A</span>	+\$1521
<b>956</b>	cocoa sapele <span style="border: 1px solid black; padding: 0 2px;">A</span>	+\$0
<b>962</b>	toasted walnut, low sheen <span style="border: 1px solid black; padding: 0 2px;">A</span>	+\$0
<b>963</b>	charred walnut, low sheen <span style="border: 1px solid black; padding: 0 2px;">A</span>	+\$0
<b>964</b>	bronzed walnut, low sheen <span style="border: 1px solid black; padding: 0 2px;">A</span>	+\$0
<b>965</b>	smoked walnut, low sheen <span style="border: 1px solid black; padding: 0 2px;">A</span>	+\$0
<b>966</b>	coffee walnut, low sheen <span style="border: 1px solid black; padding: 0 2px;">A</span>	+\$0
<b>967</b>	smoked paldao, low sheen <span style="border: 1px solid black; padding: 0 2px;">A</span>	+\$571
<b>969</b>	warm paldao, low sheen <span style="border: 1px solid black; padding: 0 2px;">A</span>	+\$571
<b>977</b>	chocolate ash, low sheen <span style="border: 1px solid black; padding: 0 2px;">A</span>	+\$0
<b>978</b>	natural oak <span style="border: 1px solid black; padding: 0 2px;">A</span>	+\$0
<b>981</b>	champagne hickory (natural) <span style="border: 1px solid black; padding: 0 2px;">A</span>	+\$0
<b>98R</b>	recograin rosewood <span style="border: 1px solid black; padding: 0 2px;">A</span>	+\$0
<b>991</b>	champagne ash <span style="border: 1px solid black; padding: 0 2px;">A</span>	+\$0
<b>998</b>	ebony ash <span style="border: 1px solid black; padding: 0 2px;">A</span>	+\$0
<b>99A</b>	recograin frosty ash <span style="border: 1px solid black; padding: 0 2px;">A</span>	+\$0
<b>99R</b>	recograin rosewood <span style="border: 1px solid black; padding: 0 2px;">A</span>	+\$0
<b>99T</b>	recograin teak <span style="border: 1px solid black; padding: 0 2px;">A</span>	+\$0
<b>9A1</b>	white ash, quarter cut, low sheen <span style="border: 1px solid black; padding: 0 2px;">A</span>	+\$0
<b>9K1</b>	rift oak, rift cut, low sheen <span style="border: 1px solid black; padding: 0 2px;">A</span>	+\$0
<b>9K6</b>	burnt oak, rift cut, low sheen <span style="border: 1px solid black; padding: 0 2px;">A</span>	+\$0
<b>ED</b>	aged cherry <span style="border: 1px solid black; padding: 0 2px;">A</span>	+\$0
<b>EK</b>	medium red walnut <span style="border: 1px solid black; padding: 0 2px;">A</span>	+\$0
<b>G2U</b>	light brown walnut, low sheen <span style="border: 1px solid black; padding: 0 2px;">A</span>	+\$0
<b>G40</b>	dark brown walnut, low sheen <span style="border: 1px solid black; padding: 0 2px;">A</span>	+\$0
<b>UX</b>	walnut on cherry <span style="border: 1px solid black; padding: 0 2px;">A</span>	+\$0

## Premium Veneer - Matte

For two 15" file drawers (-CF)

<b>662</b>	toasted walnut, matte sheen <span style="border: 1px solid black; padding: 0 2px;">A</span>	+\$0
<b>663</b>	charred walnut, matte sheen <span style="border: 1px solid black; padding: 0 2px;">A</span>	+\$0
<b>664</b>	bronzed walnut, matte sheen <span style="border: 1px solid black; padding: 0 2px;">A</span>	+\$0
<b>665</b>	smoked walnut, matte sheen <span style="border: 1px solid black; padding: 0 2px;">A</span>	+\$0
<b>666</b>	coffee walnut, matte sheen <span style="border: 1px solid black; padding: 0 2px;">A</span>	+\$0
<b>667</b>	smoked paldao, quarter cut, matte sheen <span style="border: 1px solid black; padding: 0 2px;">A</span>	+\$571
<b>669</b>	warm paldao, quarter cut, matte sheen <span style="border: 1px solid black; padding: 0 2px;">A</span>	+\$571
<b>66A</b>	recograin frosty ash <span style="border: 1px solid black; padding: 0 2px;">A</span>	+\$0
<b>677</b>	chocolate ash, matte sheen <span style="border: 1px solid black; padding: 0 2px;">A</span>	+\$0
<b>678</b>	natural oak <span style="border: 1px solid black; padding: 0 2px;">A</span>	+\$0
<b>68R</b>	recograin rosewood <span style="border: 1px solid black; padding: 0 2px;">A</span>	+\$0
<b>69A</b>	recograin frosty ash <span style="border: 1px solid black; padding: 0 2px;">A</span>	+\$0
<b>69R</b>	recograin rosewood <span style="border: 1px solid black; padding: 0 2px;">A</span>	+\$0
<b>69T</b>	recograin teak <span style="border: 1px solid black; padding: 0 2px;">A</span>	+\$0
<b>6A1</b>	white ash <span style="border: 1px solid black; padding: 0 2px;">A</span>	+\$0
<b>6K1</b>	rift oak <span style="border: 1px solid black; padding: 0 2px;">A</span>	+\$0
<b>6K6</b>	burnt oak <span style="border: 1px solid black; padding: 0 2px;">A</span>	+\$0
<b>ET</b>	clear on ash <span style="border: 1px solid black; padding: 0 2px;">A</span>	+\$0
<b>EU</b>	oak on ash <span style="border: 1px solid black; padding: 0 2px;">A</span>	+\$0
<b>EV</b>	walnut on ash <span style="border: 1px solid black; padding: 0 2px;">A</span>	+\$0
<b>GOU</b>	natural walnut, flat cut, matte sheen <span style="border: 1px solid black; padding: 0 2px;">A</span>	+\$0

## RecoGrain Veneer

For two 15" file drawers (-CF)

<b>66G</b>	recograin wenge <span style="border: 1px solid black; padding: 0 2px;">A</span>	-\$191
<b>68W</b>	recograin walnut, flat cut, matte sheen <span style="border: 1px solid black; padding: 0 2px;">A</span>	-\$191
<b>69G</b>	recograin wenge <span style="border: 1px solid black; padding: 0 2px;">A</span>	-\$191
<b>69K</b>	recograin oak, quarter cut, matte sheen <span style="border: 1px solid black; padding: 0 2px;">A</span>	-\$191
<b>69W</b>	recograin walnut, quarter cut, matte sheen <span style="border: 1px solid black; padding: 0 2px;">A</span>	-\$191

## Recon Veneer -

For two 15" file drawers (-CF)

<b>96G</b>	wenge recograin, quarter cut, low sheen <span style="border: 1px solid black; padding: 0 2px;">A</span>	-\$191
<b>98W</b>	recograin walnut, flat cut, low sheen <span style="border: 1px solid black; padding: 0 2px;">A</span>	-\$191
<b>99G</b>	recograin wenge, quarter cut, low sheen <span style="border: 1px solid black; padding: 0 2px;">A</span>	-\$191
<b>99K</b>	recograin oak, quarter cut, low sheen <span style="border: 1px solid black; padding: 0 2px;">A</span>	-\$191
<b>99W</b>	recograin walnut, quarter cut, low sheen <span style="border: 1px solid black; padding: 0 2px;">A</span>	-\$191

# H-Frame Credenza One Unit Wide

continued

## Premium Veneer - Low Sheen

For six box drawers (top two pencil trays) (-CG)

<b>931</b>	champagne anigre (natural) <span>A</span>	+\$968
<b>932</b>	sundance anigre <span>A</span>	+\$968
<b>933</b>	caramel anigre <span>A</span>	+\$968
<b>934</b>	henna anigre <span>A</span>	+\$968
<b>941</b>	natural beech <span>A</span>	+\$0
<b>942</b>	sundance cherry (natural) <span>A</span>	+\$0
<b>943</b>	caramel cherry <span>A</span>	+\$0
<b>946</b>	cocoa cherry <span>A</span>	+\$0
<b>951</b>	natural anigre <span>A</span>	+\$2104
<b>956</b>	cocoa sapele <span>A</span>	+\$0
<b>962</b>	toasted walnut, low sheen <span>A</span>	+\$0
<b>963</b>	charred walnut, low sheen <span>A</span>	+\$0
<b>964</b>	bronzed walnut, low sheen <span>A</span>	+\$0
<b>965</b>	smoked walnut, low sheen <span>A</span>	+\$0
<b>966</b>	coffee walnut, low sheen <span>A</span>	+\$0
<b>967</b>	smoked paldao, low sheen <span>A</span>	+\$789
<b>969</b>	warm paldao, low sheen <span>A</span>	+\$789
<b>977</b>	chocolate ash, low sheen <span>A</span>	+\$0
<b>978</b>	natural oak <span>A</span>	+\$0
<b>981</b>	champagne hickory (natural) <span>A</span>	+\$0
<b>98R</b>	recograin rosewood <span>A</span>	+\$0
<b>991</b>	champagne ash <span>A</span>	+\$0
<b>998</b>	ebony ash <span>A</span>	+\$0
<b>99A</b>	recograin frosty ash <span>A</span>	+\$0
<b>99R</b>	recograin rosewood <span>A</span>	+\$0
<b>99T</b>	recograin teak <span>A</span>	+\$0
<b>9A1</b>	white ash, quarter cut, low sheen <span>A</span>	+\$0
<b>9K1</b>	rift oak, rift cut, low sheen <span>A</span>	+\$0
<b>9K6</b>	burnt oak, rift cut, low sheen <span>A</span>	+\$0
<b>ED</b>	aged cherry <span>A</span>	+\$0
<b>EK</b>	medium red walnut <span>A</span>	+\$0
<b>G2U</b>	light brown walnut, low sheen <span>A</span>	+\$0
<b>G40</b>	dark brown walnut, low sheen <span>A</span>	+\$0
<b>UX</b>	walnut on cherry <span>A</span>	+\$0

## Premium Veneer - Matte

For six box drawers (top two pencil trays) (-CG)

<b>662</b>	toasted walnut, matte sheen <span>A</span>	+\$0
<b>663</b>	charred walnut, matte sheen <span>A</span>	+\$0
<b>664</b>	bronzed walnut, matte sheen <span>A</span>	+\$0
<b>665</b>	smoked walnut, matte sheen <span>A</span>	+\$0
<b>666</b>	coffee walnut, matte sheen <span>A</span>	+\$0
<b>667</b>	smoked paldao, quarter cut, matte sheen <span>A</span>	+\$789
<b>669</b>	warm paldao, quarter cut, matte sheen <span>A</span>	+\$789
<b>66A</b>	recograin frosty ash <span>A</span>	+\$0
<b>677</b>	chocolate ash, matte sheen <span>A</span>	+\$0
<b>678</b>	natural oak <span>A</span>	+\$0
<b>68R</b>	recograin rosewood <span>A</span>	+\$0
<b>69A</b>	recograin frosty ash <span>A</span>	+\$0
<b>69R</b>	recograin rosewood <span>A</span>	+\$0
<b>69T</b>	recograin teak <span>A</span>	+\$0
<b>6A1</b>	white ash <span>A</span>	+\$0
<b>6K1</b>	rift oak <span>A</span>	+\$0
<b>6K6</b>	burnt oak <span>A</span>	+\$0
<b>ET</b>	clear on ash <span>A</span>	+\$0
<b>EU</b>	oak on ash <span>A</span>	+\$0
<b>EV</b>	walnut on ash <span>A</span>	+\$0
<b>GOU</b>	natural walnut, flat cut, matte sheen <span>A</span>	+\$0

## RecoGrain Veneer

For six box drawers (top two pencil trays) (-CG)

<b>66G</b>	recograin wenge <span>A</span>	-\$263
<b>68W</b>	recograin walnut, flat cut, matte sheen <span>A</span>	-\$263
<b>69G</b>	recograin wenge <span>A</span>	-\$263
<b>69K</b>	recograin oak, quarter cut, matte sheen <span>A</span>	-\$263
<b>69W</b>	recograin walnut, quarter cut, matte sheen <span>A</span>	-\$263

## Recon Veneer -

For six box drawers (top two pencil trays) (-CG)

<b>96G</b>	wenge recograin, quarter cut, low sheen <span>A</span>	-\$263
<b>98W</b>	recograin walnut, flat cut, low sheen <span>A</span>	-\$263
<b>99G</b>	recograin wenge, quarter cut, low sheen <span>A</span>	-\$263
<b>99K</b>	recograin oak, quarter cut, low sheen <span>A</span>	-\$263
<b>99W</b>	recograin walnut, quarter cut, low sheen <span>A</span>	-\$263

# H-Frame Credenza One Unit Wide

continued

HermanMiller Collection—Storage

## Premium Veneer - Low Sheen

For one file drawer (-CH)

<b>931</b>	champagne anigre (natural) <span style="border: 1px solid black; padding: 0 2px;">A</span>	+\$683
<b>932</b>	sundance anigre <span style="border: 1px solid black; padding: 0 2px;">A</span>	+\$683
<b>933</b>	caramel anigre <span style="border: 1px solid black; padding: 0 2px;">A</span>	+\$683
<b>934</b>	henna anigre <span style="border: 1px solid black; padding: 0 2px;">A</span>	+\$683
<b>941</b>	natural beech <span style="border: 1px solid black; padding: 0 2px;">A</span>	+\$0
<b>942</b>	sundance cherry (natural) <span style="border: 1px solid black; padding: 0 2px;">A</span>	+\$0
<b>943</b>	caramel cherry <span style="border: 1px solid black; padding: 0 2px;">A</span>	+\$0
<b>946</b>	cocoa cherry <span style="border: 1px solid black; padding: 0 2px;">A</span>	+\$0
<b>951</b>	natural anigre <span style="border: 1px solid black; padding: 0 2px;">A</span>	+\$1486
<b>956</b>	cocoa sapele <span style="border: 1px solid black; padding: 0 2px;">A</span>	+\$0
<b>962</b>	toasted walnut, low sheen <span style="border: 1px solid black; padding: 0 2px;">A</span>	+\$0
<b>963</b>	charred walnut, low sheen <span style="border: 1px solid black; padding: 0 2px;">A</span>	+\$0
<b>964</b>	bronzed walnut, low sheen <span style="border: 1px solid black; padding: 0 2px;">A</span>	+\$0
<b>965</b>	smoked walnut, low sheen <span style="border: 1px solid black; padding: 0 2px;">A</span>	+\$0
<b>966</b>	coffee walnut, low sheen <span style="border: 1px solid black; padding: 0 2px;">A</span>	+\$0
<b>967</b>	smoked paldao, low sheen <span style="border: 1px solid black; padding: 0 2px;">A</span>	+\$558
<b>969</b>	warm paldao, low sheen <span style="border: 1px solid black; padding: 0 2px;">A</span>	+\$558
<b>977</b>	chocolate ash, low sheen <span style="border: 1px solid black; padding: 0 2px;">A</span>	+\$0
<b>978</b>	natural oak <span style="border: 1px solid black; padding: 0 2px;">A</span>	+\$0
<b>981</b>	champagne hickory (natural) <span style="border: 1px solid black; padding: 0 2px;">A</span>	+\$0
<b>98R</b>	recograin rosewood <span style="border: 1px solid black; padding: 0 2px;">A</span>	+\$0
<b>991</b>	champagne ash <span style="border: 1px solid black; padding: 0 2px;">A</span>	+\$0
<b>998</b>	ebony ash <span style="border: 1px solid black; padding: 0 2px;">A</span>	+\$0
<b>99A</b>	recograin frosty ash <span style="border: 1px solid black; padding: 0 2px;">A</span>	+\$0
<b>99R</b>	recograin rosewood <span style="border: 1px solid black; padding: 0 2px;">A</span>	+\$0
<b>99T</b>	recograin teak <span style="border: 1px solid black; padding: 0 2px;">A</span>	+\$0
<b>9A1</b>	white ash, quarter cut, low sheen <span style="border: 1px solid black; padding: 0 2px;">A</span>	+\$0
<b>9K1</b>	rift oak, rift cut, low sheen <span style="border: 1px solid black; padding: 0 2px;">A</span>	+\$0
<b>9K6</b>	burnt oak, rift cut, low sheen <span style="border: 1px solid black; padding: 0 2px;">A</span>	+\$0
<b>ED</b>	aged cherry <span style="border: 1px solid black; padding: 0 2px;">A</span>	+\$0
<b>EK</b>	medium red walnut <span style="border: 1px solid black; padding: 0 2px;">A</span>	+\$0
<b>G2U</b>	light brown walnut, low sheen <span style="border: 1px solid black; padding: 0 2px;">A</span>	+\$0
<b>G40</b>	dark brown walnut, low sheen <span style="border: 1px solid black; padding: 0 2px;">A</span>	+\$0
<b>UX</b>	walnut on cherry <span style="border: 1px solid black; padding: 0 2px;">A</span>	+\$0

## Premium Veneer - Matte

For one file drawer (-CH)

<b>662</b>	toasted walnut, matte sheen <span style="border: 1px solid black; padding: 0 2px;">A</span>	+\$0
<b>663</b>	charred walnut, matte sheen <span style="border: 1px solid black; padding: 0 2px;">A</span>	+\$0
<b>664</b>	bronzed walnut, matte sheen <span style="border: 1px solid black; padding: 0 2px;">A</span>	+\$0
<b>665</b>	smoked walnut, matte sheen <span style="border: 1px solid black; padding: 0 2px;">A</span>	+\$0
<b>666</b>	coffee walnut, matte sheen <span style="border: 1px solid black; padding: 0 2px;">A</span>	+\$0
<b>667</b>	smoked paldao, quarter cut, matte sheen <span style="border: 1px solid black; padding: 0 2px;">A</span>	+\$558
<b>669</b>	warm paldao, quarter cut, matte sheen <span style="border: 1px solid black; padding: 0 2px;">A</span>	+\$558
<b>66A</b>	recograin frosty ash <span style="border: 1px solid black; padding: 0 2px;">A</span>	+\$0
<b>677</b>	chocolate ash, matte sheen <span style="border: 1px solid black; padding: 0 2px;">A</span>	+\$0
<b>678</b>	natural oak <span style="border: 1px solid black; padding: 0 2px;">A</span>	+\$0
<b>68R</b>	recograin rosewood <span style="border: 1px solid black; padding: 0 2px;">A</span>	+\$0
<b>69A</b>	recograin frosty ash <span style="border: 1px solid black; padding: 0 2px;">A</span>	+\$0
<b>69R</b>	recograin rosewood <span style="border: 1px solid black; padding: 0 2px;">A</span>	+\$0
<b>69T</b>	recograin teak <span style="border: 1px solid black; padding: 0 2px;">A</span>	+\$0
<b>6A1</b>	white ash <span style="border: 1px solid black; padding: 0 2px;">A</span>	+\$0
<b>6K1</b>	rift oak <span style="border: 1px solid black; padding: 0 2px;">A</span>	+\$0
<b>6K6</b>	burnt oak <span style="border: 1px solid black; padding: 0 2px;">A</span>	+\$0
<b>ET</b>	clear on ash <span style="border: 1px solid black; padding: 0 2px;">A</span>	+\$0
<b>EU</b>	oak on ash <span style="border: 1px solid black; padding: 0 2px;">A</span>	+\$0
<b>EV</b>	walnut on ash <span style="border: 1px solid black; padding: 0 2px;">A</span>	+\$0
<b>GOU</b>	natural walnut, flat cut, matte sheen <span style="border: 1px solid black; padding: 0 2px;">A</span>	+\$0

## RecoGrain Veneer

For one file drawer (-CH)

<b>66G</b>	recograin wenge <span style="border: 1px solid black; padding: 0 2px;">A</span>	-\$186
<b>68W</b>	recograin walnut, flat cut, matte sheen <span style="border: 1px solid black; padding: 0 2px;">A</span>	-\$186
<b>69G</b>	recograin wenge <span style="border: 1px solid black; padding: 0 2px;">A</span>	-\$186
<b>69K</b>	recograin oak, quarter cut, matte sheen <span style="border: 1px solid black; padding: 0 2px;">A</span>	-\$186
<b>69W</b>	recograin walnut, quarter cut, matte sheen <span style="border: 1px solid black; padding: 0 2px;">A</span>	-\$186

## Recon Veneer -

For one file drawer (-CH)

<b>96G</b>	wenge recograin, quarter cut, low sheen <span style="border: 1px solid black; padding: 0 2px;">A</span>	-\$186
<b>98W</b>	recograin walnut, flat cut, low sheen <span style="border: 1px solid black; padding: 0 2px;">A</span>	-\$186
<b>99G</b>	recograin wenge, quarter cut, low sheen <span style="border: 1px solid black; padding: 0 2px;">A</span>	-\$186
<b>99K</b>	recograin oak, quarter cut, low sheen <span style="border: 1px solid black; padding: 0 2px;">A</span>	-\$186
<b>99W</b>	recograin walnut, quarter cut, low sheen <span style="border: 1px solid black; padding: 0 2px;">A</span>	-\$186

# H-Frame Credenza One Unit Wide

continued

## Premium Veneer - Low Sheen

For three box drawers (-CK)

<b>931</b>	champagne anigre (natural) <span style="border: 1px solid black; padding: 0 2px;">A</span>	+\$816
<b>932</b>	sundance anigre <span style="border: 1px solid black; padding: 0 2px;">A</span>	+\$816
<b>933</b>	caramel anigre <span style="border: 1px solid black; padding: 0 2px;">A</span>	+\$816
<b>934</b>	henna anigre <span style="border: 1px solid black; padding: 0 2px;">A</span>	+\$816
<b>941</b>	natural beech <span style="border: 1px solid black; padding: 0 2px;">A</span>	+\$0
<b>942</b>	sundance cherry (natural) <span style="border: 1px solid black; padding: 0 2px;">A</span>	+\$0
<b>943</b>	caramel cherry <span style="border: 1px solid black; padding: 0 2px;">A</span>	+\$0
<b>946</b>	cocoa cherry <span style="border: 1px solid black; padding: 0 2px;">A</span>	+\$0
<b>951</b>	natural anigre <span style="border: 1px solid black; padding: 0 2px;">A</span>	+\$1775
<b>956</b>	cocoa sapele <span style="border: 1px solid black; padding: 0 2px;">A</span>	+\$0
<b>962</b>	toasted walnut, low sheen <span style="border: 1px solid black; padding: 0 2px;">A</span>	+\$0
<b>963</b>	charred walnut, low sheen <span style="border: 1px solid black; padding: 0 2px;">A</span>	+\$0
<b>964</b>	bronzed walnut, low sheen <span style="border: 1px solid black; padding: 0 2px;">A</span>	+\$0
<b>965</b>	smoked walnut, low sheen <span style="border: 1px solid black; padding: 0 2px;">A</span>	+\$0
<b>966</b>	coffee walnut, low sheen <span style="border: 1px solid black; padding: 0 2px;">A</span>	+\$0
<b>967</b>	smoked paldao, low sheen <span style="border: 1px solid black; padding: 0 2px;">A</span>	+\$666
<b>969</b>	warm paldao, low sheen <span style="border: 1px solid black; padding: 0 2px;">A</span>	+\$666
<b>977</b>	chocolate ash, low sheen <span style="border: 1px solid black; padding: 0 2px;">A</span>	+\$0
<b>978</b>	natural oak <span style="border: 1px solid black; padding: 0 2px;">A</span>	+\$0
<b>981</b>	champagne hickory (natural) <span style="border: 1px solid black; padding: 0 2px;">A</span>	+\$0
<b>98R</b>	recograin rosewood <span style="border: 1px solid black; padding: 0 2px;">A</span>	+\$0
<b>991</b>	champagne ash <span style="border: 1px solid black; padding: 0 2px;">A</span>	+\$0
<b>998</b>	ebony ash <span style="border: 1px solid black; padding: 0 2px;">A</span>	+\$0
<b>99A</b>	recograin frosty ash <span style="border: 1px solid black; padding: 0 2px;">A</span>	+\$0
<b>99R</b>	recograin rosewood <span style="border: 1px solid black; padding: 0 2px;">A</span>	+\$0
<b>99T</b>	recograin teak <span style="border: 1px solid black; padding: 0 2px;">A</span>	+\$0
<b>9A1</b>	white ash, quarter cut, low sheen <span style="border: 1px solid black; padding: 0 2px;">A</span>	+\$0
<b>9K1</b>	rift oak, rift cut, low sheen <span style="border: 1px solid black; padding: 0 2px;">A</span>	+\$0
<b>9K6</b>	burnt oak, rift cut, low sheen <span style="border: 1px solid black; padding: 0 2px;">A</span>	+\$0
<b>ED</b>	aged cherry <span style="border: 1px solid black; padding: 0 2px;">A</span>	+\$0
<b>EK</b>	medium red walnut <span style="border: 1px solid black; padding: 0 2px;">A</span>	+\$0
<b>G2U</b>	light brown walnut, low sheen <span style="border: 1px solid black; padding: 0 2px;">A</span>	+\$0
<b>G40</b>	dark brown walnut, low sheen <span style="border: 1px solid black; padding: 0 2px;">A</span>	+\$0
<b>UX</b>	walnut on cherry <span style="border: 1px solid black; padding: 0 2px;">A</span>	+\$0

## Premium Veneer - Matte

For three box drawers (-CK)

<b>662</b>	toasted walnut, matte sheen <span style="border: 1px solid black; padding: 0 2px;">A</span>	+\$0
<b>663</b>	charred walnut, matte sheen <span style="border: 1px solid black; padding: 0 2px;">A</span>	+\$0
<b>664</b>	bronzed walnut, matte sheen <span style="border: 1px solid black; padding: 0 2px;">A</span>	+\$0
<b>665</b>	smoked walnut, matte sheen <span style="border: 1px solid black; padding: 0 2px;">A</span>	+\$0
<b>666</b>	coffee walnut, matte sheen <span style="border: 1px solid black; padding: 0 2px;">A</span>	+\$0
<b>667</b>	smoked paldao, quarter cut, matte sheen <span style="border: 1px solid black; padding: 0 2px;">A</span>	+\$666
<b>669</b>	warm paldao, quarter cut, matte sheen <span style="border: 1px solid black; padding: 0 2px;">A</span>	+\$666
<b>66A</b>	recograin frosty ash <span style="border: 1px solid black; padding: 0 2px;">A</span>	+\$0
<b>677</b>	chocolate ash, matte sheen <span style="border: 1px solid black; padding: 0 2px;">A</span>	+\$0
<b>678</b>	natural oak <span style="border: 1px solid black; padding: 0 2px;">A</span>	+\$0
<b>68R</b>	recograin rosewood <span style="border: 1px solid black; padding: 0 2px;">A</span>	+\$0
<b>69A</b>	recograin frosty ash <span style="border: 1px solid black; padding: 0 2px;">A</span>	+\$0
<b>69R</b>	recograin rosewood <span style="border: 1px solid black; padding: 0 2px;">A</span>	+\$0
<b>69T</b>	recograin teak <span style="border: 1px solid black; padding: 0 2px;">A</span>	+\$0
<b>6A1</b>	white ash <span style="border: 1px solid black; padding: 0 2px;">A</span>	+\$0
<b>6K1</b>	rift oak <span style="border: 1px solid black; padding: 0 2px;">A</span>	+\$0
<b>6K6</b>	burnt oak <span style="border: 1px solid black; padding: 0 2px;">A</span>	+\$0
<b>ET</b>	clear on ash <span style="border: 1px solid black; padding: 0 2px;">A</span>	+\$0
<b>EU</b>	oak on ash <span style="border: 1px solid black; padding: 0 2px;">A</span>	+\$0
<b>EV</b>	walnut on ash <span style="border: 1px solid black; padding: 0 2px;">A</span>	+\$0
<b>GOU</b>	natural walnut, flat cut, matte sheen <span style="border: 1px solid black; padding: 0 2px;">A</span>	+\$0

## RecoGrain Veneer

For three box drawers (-CK)

<b>66G</b>	recograin wenge <span style="border: 1px solid black; padding: 0 2px;">A</span>	-\$222
<b>68W</b>	recograin walnut, flat cut, matte sheen <span style="border: 1px solid black; padding: 0 2px;">A</span>	-\$222
<b>69G</b>	recograin wenge <span style="border: 1px solid black; padding: 0 2px;">A</span>	-\$222
<b>69K</b>	recograin oak, quarter cut, matte sheen <span style="border: 1px solid black; padding: 0 2px;">A</span>	-\$222
<b>69W</b>	recograin walnut, quarter cut, matte sheen <span style="border: 1px solid black; padding: 0 2px;">A</span>	-\$222

## Recon Veneer -

For three box drawers (-CK)

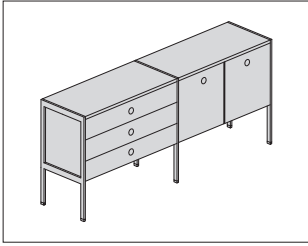
<b>96G</b>	wenge recograin, quarter cut, low sheen <span style="border: 1px solid black; padding: 0 2px;">A</span>	-\$222
<b>98W</b>	recograin walnut, flat cut, low sheen <span style="border: 1px solid black; padding: 0 2px;">A</span>	-\$222
<b>99G</b>	recograin wenge, quarter cut, low sheen <span style="border: 1px solid black; padding: 0 2px;">A</span>	-\$222
<b>99K</b>	recograin oak, quarter cut, low sheen <span style="border: 1px solid black; padding: 0 2px;">A</span>	-\$222
<b>99W</b>	recograin walnut, quarter cut, low sheen <span style="border: 1px solid black; padding: 0 2px;">A</span>	-\$222

## Step 5. Metal Finish

<b>BNZ</b>	bronze <span style="border: 1px solid black; padding: 0 2px;">A</span>	+\$0
<b>CHR</b>	chrome <span style="border: 1px solid black; padding: 0 2px;">A</span>	+\$0
<b>SAC</b>	satin chrome <span style="border: 1px solid black; padding: 0 2px;">A</span>	+\$0

# H-Frame Credenza Two Units Wide

JCH2-  
Wide



HermanMiller Collection—Storage

## Product Information

### Description

This two-unit wide H-frame credenza has a wooden top and includes 1/2"-thick metal frame gables on the ends. H-frame credenzas are modular and shipped partially assembled.

### Notes

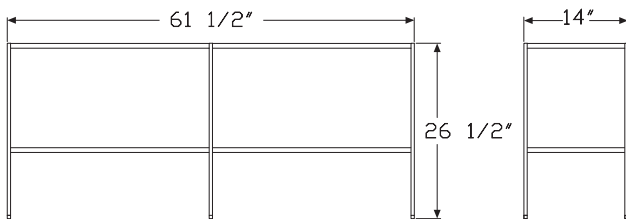
All hardware for assembly is included.

Drawer credenzas include wood boxes and self-closing hidden drawer slides.

CG six box drawer credenza includes pencil trays and felt lining in bottom of top two drawers.

When applicable, Ward Bennett Flip pulls come in matching metal finish. Santos palisander veneer is celebrated for its unique grain and color variations. Similar products ordered in multiples or dissimilar products ordered separately should be expected to have variation in both grain and color characteristics; no two products will look exactly alike.

## Dimensions



## Specification Information

### Step 1.

JCH2 [A](#)

### Step 2. Size

-1462 14" deep x 61 1/2" wide x 26 1/2" high [A](#)

### Step 3. Configuration - left unit

- C1 open shelf [A](#)
- C2 two doors [A](#)
- CF two 15" file drawers [A](#)
- CH one file drawer [A](#)
- CK three box drawers [A](#)

### Step 4. Configuration - right unit

#### For open shelf (-C1)

C1 open shelf [A](#)

#### For two doors (-C2)

- C1 open shelf [A](#)
- C2 two doors [A](#)
- CG six box drawers (top two pencil trays) [A](#)

#### For two 15" file drawers (-CF)

- CF two 15" file drawers [A](#)
- CG six box drawers (top two pencil trays) [A](#)

#### For one file drawer (-CH)

CH double doors left, 30" box/file right [A](#)

#### For three box drawers (-CK)

- C2 two doors [A](#)
- CF two 15" file drawers [A](#)

## Prices for Steps 1-4.

		C1	C2	CF	CG	CH
JCH2-1462	-C1	\$4388	—	—	—	—
	-C2	\$4874	6557	—	7957	—
	-CF	—	—	\$7003	8462	—
	-CH	—	—	—	—	\$6829
	-CK	—	\$7163	7640	—	—



# H-Frame Credenza Two Units Wide

continued

## Step 5. Wood Finish

### Premium Veneer - Low Sheen

		-C1C1	-C2C1	-C2C2	-C2CG	-CFCF
<b>931</b>	champagne anigre (natural) <sup>A</sup>	+\$807	897	1206	1516	1289
<b>932</b>	sundance anigre <sup>A</sup>	+\$807	897	1206	1516	1289
<b>933</b>	caramel anigre <sup>A</sup>	+\$807	897	1206	1516	1289
<b>934</b>	henna anigre <sup>A</sup>	+\$807	897	1206	1516	1289
<b>941</b>	natural beech <sup>A</sup>	+\$0	0	0	0	0
<b>942</b>	sundance cherry (natural) <sup>A</sup>	+\$0	0	0	0	0
<b>943</b>	caramel cherry <sup>A</sup>	+\$0	0	0	0	0
<b>946</b>	cocoa cherry <sup>A</sup>	+\$0	0	0	0	0
<b>951</b>	natural anigre <sup>A</sup>	+\$1756	1950	2623	3296	2802
<b>956</b>	cocoa sapele <sup>A</sup>	+\$0	0	0	0	0
<b>962</b>	toasted walnut, low sheen <sup>A</sup>	+\$0	0	0	0	0
<b>963</b>	charred walnut, low sheen <sup>A</sup>	+\$0	0	0	0	0
<b>964</b>	bronzed walnut, low sheen <sup>A</sup>	+\$0	0	0	0	0
<b>965</b>	smoked walnut, low sheen <sup>A</sup>	+\$0	0	0	0	0
<b>966</b>	coffee walnut, low sheen <sup>A</sup>	+\$0	0	0	0	0
<b>967</b>	smoked paldao, low sheen <sup>A</sup>	+\$659	732	984	1236	1051
<b>969</b>	warm paldao, low sheen <sup>A</sup>	+\$659	732	984	1236	1051
<b>977</b>	chocolate ash, low sheen <sup>A</sup>	+\$0	0	0	0	0
<b>978</b>	natural oak <sup>A</sup>	+\$0	0	0	0	0
<b>981</b>	champagne hickory (natural) <sup>A</sup>	+\$0	0	0	0	0
<b>98R</b>	recograin rosewood <sup>A</sup>	+\$0	0	0	0	0
<b>991</b>	champagne ash <sup>A</sup>	+\$0	0	0	0	0
<b>998</b>	ebony ash <sup>A</sup>	+\$0	0	0	0	0
<b>99A</b>	recograin frosty ash <sup>A</sup>	+\$0	0	0	0	0
<b>99R</b>	recograin rosewood <sup>A</sup>	+\$0	0	0	0	0
<b>99T</b>	recograin teak <sup>A</sup>	+\$0	0	0	0	0
<b>9A1</b>	white ash, quarter cut, low sheen <sup>A</sup>	+\$0	0	0	0	0

<b>9K1</b>	rift oak, rift cut, low sheen <sup>A</sup>	+\$0	0	0	0	0
<b>9K6</b>	burnt oak, rift cut, low sheen <sup>A</sup>	+\$0	0	0	0	0
<b>ED</b>	aged cherry <sup>A</sup>	+\$0	0	0	0	0
<b>EK</b>	medium red walnut <sup>A</sup>	+\$0	0	0	0	0
<b>G2U</b>	light brown walnut, low sheen <sup>A</sup>	+\$0	0	0	0	0
<b>G40</b>	dark brown walnut, low sheen <sup>A</sup>	+\$0	0	0	0	0
<b>UX</b>	walnut on cherry <sup>A</sup>	+\$0	0	0	0	0

		-CFCG	-CHCH	-CKC2	-CKCF
<b>931</b>	champagne anigre (natural) <sup>A</sup>	+\$1557	1256	1364	
<b>932</b>	sundance anigre <sup>A</sup>	+\$1557	1256	1364	
<b>933</b>	caramel anigre <sup>A</sup>	+\$1557	1256	1364	
<b>934</b>	henna anigre <sup>A</sup>	+\$1557	1256	1364	
<b>941</b>	natural beech <sup>A</sup>	+\$0	0	0	
<b>942</b>	sundance cherry (natural) <sup>A</sup>	+\$0	0	0	
<b>943</b>	caramel cherry <sup>A</sup>	+\$0	0	0	
<b>946</b>	cocoa cherry <sup>A</sup>	+\$0	0	0	
<b>951</b>	natural anigre <sup>A</sup>	+\$3385	2732	2966	
<b>956</b>	cocoa sapele <sup>A</sup>	+\$0	0	0	
<b>962</b>	toasted walnut, low sheen <sup>A</sup>	+\$0	0	0	
<b>963</b>	charred walnut, low sheen <sup>A</sup>	+\$0	0	0	
<b>964</b>	bronzed walnut, low sheen <sup>A</sup>	+\$0	0	0	
<b>965</b>	smoked walnut, low sheen <sup>A</sup>	+\$0	0	0	
<b>966</b>	coffee walnut, low sheen <sup>A</sup>	+\$0	0	0	
<b>967</b>	smoked paldao, low sheen <sup>A</sup>	+\$1270	1025	1113	
<b>969</b>	warm paldao, low sheen <sup>A</sup>	+\$1270	1025	1113	
<b>977</b>	chocolate ash, low sheen <sup>A</sup>	+\$0	0	0	
<b>978</b>	natural oak <sup>A</sup>	+\$0	0	0	
<b>981</b>	champagne hickory (natural) <sup>A</sup>	+\$0	0	0	
<b>98R</b>	recograin rosewood <sup>A</sup>	+\$0	0	0	
<b>991</b>	champagne ash <sup>A</sup>	+\$0	0	0	
<b>998</b>	ebony ash <sup>A</sup>	+\$0	0	0	
<b>99A</b>	recograin frosty ash <sup>A</sup>	+\$0	0	0	
<b>99R</b>	recograin rosewood <sup>A</sup>	+\$0	0	0	
<b>99T</b>	recograin teak <sup>A</sup>	+\$0	0	0	
<b>9A1</b>	white ash, quarter cut, low sheen <sup>A</sup>	+\$0	0	0	
<b>9K1</b>	rift oak, rift cut, low sheen <sup>A</sup>	+\$0	0	0	
<b>9K6</b>	burnt oak, rift cut, low sheen <sup>A</sup>	+\$0	0	0	
<b>ED</b>	aged cherry <sup>A</sup>	+\$0	0	0	
<b>EK</b>	medium red walnut <sup>A</sup>	+\$0	0	0	
<b>G2U</b>	light brown walnut, low sheen <sup>A</sup>	+\$0	0	0	
<b>G40</b>	dark brown walnut, low sheen <sup>A</sup>	+\$0	0	0	

HermanMiller Collection—Storage

# H-Frame Credenza Two Units Wide

continued

HermanMiller Collection—Storage

UX	walnut on cherry <span style="border: 1px solid black; padding: 0 2px;">A</span>		+\$0	0	0	
<hr/>						
Premium Veneer - Matte						
		-C1C1	-C2C1	-C2C2	-C2CG	-CFCF
<b>662</b>	toasted walnut, matte sheen <span style="border: 1px solid black; padding: 0 2px;">A</span>	+\$0	0	0	0	0
<b>663</b>	charred walnut, matte sheen <span style="border: 1px solid black; padding: 0 2px;">A</span>	+\$0	0	0	0	0
<b>664</b>	bronzed walnut, matte sheen <span style="border: 1px solid black; padding: 0 2px;">A</span>	+\$0	0	0	0	0
<b>665</b>	smoked walnut, matte sheen <span style="border: 1px solid black; padding: 0 2px;">A</span>	+\$0	0	0	0	0
<b>666</b>	coffee walnut, matte sheen <span style="border: 1px solid black; padding: 0 2px;">A</span>	+\$0	0	0	0	0
<b>667</b>	smoked paldao, quarter cut, matte sheen <span style="border: 1px solid black; padding: 0 2px;">A</span>	+\$659	732	984	1236	1051
<b>669</b>	warm paldao, quarter cut, matte sheen <span style="border: 1px solid black; padding: 0 2px;">A</span>	+\$659	732	984	1236	1051
<b>66A</b>	recograin frosty ash <span style="border: 1px solid black; padding: 0 2px;">A</span>	+\$0	0	0	0	0
<b>677</b>	chocolate ash, matte sheen <span style="border: 1px solid black; padding: 0 2px;">A</span>	+\$0	0	0	0	0
<b>678</b>	natural oak <span style="border: 1px solid black; padding: 0 2px;">A</span>	+\$0	0	0	0	0
<b>68R</b>	recograin rosewood <span style="border: 1px solid black; padding: 0 2px;">A</span>	+\$0	0	0	0	0
<b>69A</b>	recograin frosty ash <span style="border: 1px solid black; padding: 0 2px;">A</span>	+\$0	0	0	0	0
<b>69R</b>	recograin rosewood <span style="border: 1px solid black; padding: 0 2px;">A</span>	+\$0	0	0	0	0
<b>69T</b>	recograin teak <span style="border: 1px solid black; padding: 0 2px;">A</span>	+\$0	0	0	0	0
<b>6A1</b>	white ash <span style="border: 1px solid black; padding: 0 2px;">A</span>	+\$0	0	0	0	0
<b>6K1</b>	rift oak <span style="border: 1px solid black; padding: 0 2px;">A</span>	+\$0	0	0	0	0
<b>6K6</b>	burnt oak <span style="border: 1px solid black; padding: 0 2px;">A</span>	+\$0	0	0	0	0
<b>ET</b>	clear on ash <span style="border: 1px solid black; padding: 0 2px;">A</span>	+\$0	0	0	0	0
<b>EU</b>	oak on ash <span style="border: 1px solid black; padding: 0 2px;">A</span>	+\$0	0	0	0	0
<b>EV</b>	walnut on ash <span style="border: 1px solid black; padding: 0 2px;">A</span>	+\$0	0	0	0	0
<b>GOU</b>	natural walnut, flat cut, matte sheen <span style="border: 1px solid black; padding: 0 2px;">A</span>	+\$0	0	0	0	0

		-CFCG	-CHCH	-CKC2	-CKCF
<b>662</b>	toasted walnut, matte sheen <span style="border: 1px solid black; padding: 0 2px;">A</span>	+\$0	0	0	0
<b>663</b>	charred walnut, matte sheen <span style="border: 1px solid black; padding: 0 2px;">A</span>	+\$0	0	0	0
<b>664</b>	bronzed walnut, matte sheen <span style="border: 1px solid black; padding: 0 2px;">A</span>	+\$0	0	0	0
<b>665</b>	smoked walnut, matte sheen <span style="border: 1px solid black; padding: 0 2px;">A</span>	+\$0	0	0	0
<b>666</b>	coffee walnut, matte sheen <span style="border: 1px solid black; padding: 0 2px;">A</span>	+\$0	0	0	0
<b>667</b>	smoked paldao, quarter cut, matte sheen <span style="border: 1px solid black; padding: 0 2px;">A</span>	+\$1270	1025	1113	
<b>669</b>	warm paldao, quarter cut, matte sheen <span style="border: 1px solid black; padding: 0 2px;">A</span>	+\$1270	1025	1113	
<b>66A</b>	recograin frosty ash <span style="border: 1px solid black; padding: 0 2px;">A</span>	+\$0	0	0	0
<b>677</b>	chocolate ash, matte sheen <span style="border: 1px solid black; padding: 0 2px;">A</span>	+\$0	0	0	0
<b>678</b>	natural oak <span style="border: 1px solid black; padding: 0 2px;">A</span>	+\$0	0	0	0
<b>68R</b>	recograin rosewood <span style="border: 1px solid black; padding: 0 2px;">A</span>	+\$0	0	0	0
<b>69A</b>	recograin frosty ash <span style="border: 1px solid black; padding: 0 2px;">A</span>	+\$0	0	0	0
<b>69R</b>	recograin rosewood <span style="border: 1px solid black; padding: 0 2px;">A</span>	+\$0	0	0	0
<b>69T</b>	recograin teak <span style="border: 1px solid black; padding: 0 2px;">A</span>	+\$0	0	0	0
<b>6A1</b>	white ash <span style="border: 1px solid black; padding: 0 2px;">A</span>	+\$0	0	0	0
<b>6K1</b>	rift oak <span style="border: 1px solid black; padding: 0 2px;">A</span>	+\$0	0	0	0
<b>6K6</b>	burnt oak <span style="border: 1px solid black; padding: 0 2px;">A</span>	+\$0	0	0	0
<b>ET</b>	clear on ash <span style="border: 1px solid black; padding: 0 2px;">A</span>	+\$0	0	0	0
<b>EU</b>	oak on ash <span style="border: 1px solid black; padding: 0 2px;">A</span>	+\$0	0	0	0
<b>EV</b>	walnut on ash <span style="border: 1px solid black; padding: 0 2px;">A</span>	+\$0	0	0	0
<b>GOU</b>	natural walnut, flat cut, matte sheen <span style="border: 1px solid black; padding: 0 2px;">A</span>	+\$0	0	0	0

RecoGrain Veneer		-C1C1	-C2C1	-C2C2	-C2CG	-CFCF
<b>66G</b>	recograin wenge <span style="border: 1px solid black; padding: 0 2px;">A</span>	-\$220	-244	-328	-412	-351
<b>68W</b>	recograin walnut, flat cut, matte sheen <span style="border: 1px solid black; padding: 0 2px;">A</span>	-\$220	-244	-328	-412	-351
<b>69G</b>	recograin wenge <span style="border: 1px solid black; padding: 0 2px;">A</span>	-\$220	-244	-328	-412	-351
<b>69K</b>	recograin oak, quarter cut, matte sheen <span style="border: 1px solid black; padding: 0 2px;">A</span>	-\$220	-244	-328	-412	-351
<b>69W</b>	recograin walnut, quarter cut, matte sheen <span style="border: 1px solid black; padding: 0 2px;">A</span>	-\$220	-244	-328	-412	-351

# H-Frame Credenza Two Units Wide

continued

		-CFCG	-CHCH	-CKC2	-CKCF
<b>66G</b>	recograin wenge <span style="border: 1px solid black; padding: 0 2px;">A</span>		-\$424	-342	-371
<b>68W</b>	recograin walnut, flat cut, matte sheen <span style="border: 1px solid black; padding: 0 2px;">A</span>		-\$424	-342	-371
<b>69G</b>	recograin wenge <span style="border: 1px solid black; padding: 0 2px;">A</span>		-\$424	-342	-371
<b>69K</b>	recograin oak, quarter cut, matte sheen <span style="border: 1px solid black; padding: 0 2px;">A</span>		-\$424	-342	-371
<b>69W</b>	recograin walnut, quarter cut, matte sheen <span style="border: 1px solid black; padding: 0 2px;">A</span>		-\$424	-342	-371

## Recon Veneer -

		-C1C1	-C2C1	-C2C2	-C2CG	-CFCF
<b>96G</b>	wenge recograin, quarter cut, low sheen <span style="border: 1px solid black; padding: 0 2px;">A</span>	-\$220	-244	-328	-412	-351
<b>98W</b>	recograin walnut, flat cut, low sheen <span style="border: 1px solid black; padding: 0 2px;">A</span>	-\$220	-244	-328	-412	-351
<b>99G</b>	recograin wenge, quarter cut, low sheen <span style="border: 1px solid black; padding: 0 2px;">A</span>	-\$220	-244	-328	-412	-351
<b>99K</b>	recograin oak, quarter cut, low sheen <span style="border: 1px solid black; padding: 0 2px;">A</span>	-\$220	-244	-328	-412	-351
<b>99W</b>	recograin walnut, quarter cut, low sheen <span style="border: 1px solid black; padding: 0 2px;">A</span>	-\$220	-244	-328	-412	-351

		-CFCG	-CHCH	-CKC2	-CKCF
<b>96G</b>	wenge recograin, quarter cut, low sheen <span style="border: 1px solid black; padding: 0 2px;">A</span>		-\$424	-342	-371
<b>98W</b>	recograin walnut, flat cut, low sheen <span style="border: 1px solid black; padding: 0 2px;">A</span>		-\$424	-342	-371
<b>99G</b>	recograin wenge, quarter cut, low sheen <span style="border: 1px solid black; padding: 0 2px;">A</span>		-\$424	-342	-371
<b>99K</b>	recograin oak, quarter cut, low sheen <span style="border: 1px solid black; padding: 0 2px;">A</span>		-\$424	-342	-371
<b>99W</b>	recograin walnut, quarter cut, low sheen <span style="border: 1px solid black; padding: 0 2px;">A</span>		-\$424	-342	-371

## Premium Veneer - Low Sheen

For three box drawers (-CK) with two 15" file drawers (CF)

<b>40</b>	dark brown walnut <span style="border: 1px solid black; padding: 0 2px;">A</span>				+\$0
<b>931</b>	champagne anigre (natural) <span style="border: 1px solid black; padding: 0 2px;">A</span>				+\$1406
<b>932</b>	sundance anigre <span style="border: 1px solid black; padding: 0 2px;">A</span>				+\$1406
<b>933</b>	caramel anigre <span style="border: 1px solid black; padding: 0 2px;">A</span>				+\$1406
<b>934</b>	henna anigre <span style="border: 1px solid black; padding: 0 2px;">A</span>				+\$1406
<b>941</b>	natural beech <span style="border: 1px solid black; padding: 0 2px;">A</span>				+\$0

<b>942</b>	sundance cherry (natural) <span style="border: 1px solid black; padding: 0 2px;">A</span>				+\$0
<b>943</b>	caramel cherry <span style="border: 1px solid black; padding: 0 2px;">A</span>				+\$0
<b>946</b>	cocoa cherry <span style="border: 1px solid black; padding: 0 2px;">A</span>				+\$0
<b>951</b>	natural anigre <span style="border: 1px solid black; padding: 0 2px;">A</span>				+\$3056
<b>956</b>	cocoa sapele <span style="border: 1px solid black; padding: 0 2px;">A</span>				+\$0
<b>962</b>	toasted walnut, low sheen <span style="border: 1px solid black; padding: 0 2px;">A</span>				+\$0
<b>963</b>	charred walnut, low sheen <span style="border: 1px solid black; padding: 0 2px;">A</span>				+\$0
<b>964</b>	bronzed walnut, low sheen <span style="border: 1px solid black; padding: 0 2px;">A</span>				+\$0
<b>965</b>	smoked walnut, low sheen <span style="border: 1px solid black; padding: 0 2px;">A</span>				+\$0
<b>966</b>	coffee walnut, low sheen <span style="border: 1px solid black; padding: 0 2px;">A</span>				+\$0
<b>967</b>	smoked paldao, low sheen <span style="border: 1px solid black; padding: 0 2px;">A</span>				+\$1146
<b>969</b>	warm paldao, low sheen <span style="border: 1px solid black; padding: 0 2px;">A</span>				+\$1146
<b>977</b>	chocolate ash, low sheen <span style="border: 1px solid black; padding: 0 2px;">A</span>				+\$0
<b>978</b>	natural oak <span style="border: 1px solid black; padding: 0 2px;">A</span>				+\$0
<b>981</b>	champagne hickory (natural) <span style="border: 1px solid black; padding: 0 2px;">A</span>				+\$0
<b>98R</b>	recograin rosewood <span style="border: 1px solid black; padding: 0 2px;">A</span>				+\$0
<b>991</b>	champagne ash <span style="border: 1px solid black; padding: 0 2px;">A</span>				+\$0
<b>998</b>	ebony ash <span style="border: 1px solid black; padding: 0 2px;">A</span>				+\$0
<b>99A</b>	recograin frosty ash <span style="border: 1px solid black; padding: 0 2px;">A</span>				+\$0
<b>99R</b>	recograin rosewood <span style="border: 1px solid black; padding: 0 2px;">A</span>				+\$0
<b>99T</b>	recograin teak <span style="border: 1px solid black; padding: 0 2px;">A</span>				+\$0
<b>9A1</b>	white ash, quarter cut, low sheen <span style="border: 1px solid black; padding: 0 2px;">A</span>				+\$0
<b>9K1</b>	rift oak, rift cut, low sheen <span style="border: 1px solid black; padding: 0 2px;">A</span>				+\$0
<b>9K6</b>	burnt oak, rift cut, low sheen <span style="border: 1px solid black; padding: 0 2px;">A</span>				+\$0
<b>ED</b>	aged cherry <span style="border: 1px solid black; padding: 0 2px;">A</span>				+\$0
<b>EK</b>	medium red walnut <span style="border: 1px solid black; padding: 0 2px;">A</span>				+\$0
<b>G2U</b>	light brown walnut, low sheen <span style="border: 1px solid black; padding: 0 2px;">A</span>				+\$0
<b>G40</b>	dark brown walnut, low sheen <span style="border: 1px solid black; padding: 0 2px;">A</span>				+\$0
<b>UX</b>	walnut on cherry <span style="border: 1px solid black; padding: 0 2px;">A</span>				+\$0

HermanMiller Collection—Storage

# H-Frame Credenza Two Units Wide

continued

---

Premium Veneer - Matte

*For three box drawers (-CK) with two 15" file drawers (CF)*

<b>662</b>	toasted walnut, matte sheen <input type="checkbox"/>	+\$0
<b>663</b>	charred walnut, matte sheen <input type="checkbox"/>	+\$0
<b>664</b>	bronzed walnut, matte sheen <input type="checkbox"/>	+\$0
<b>665</b>	smoked walnut, matte sheen <input type="checkbox"/>	+\$0
<b>666</b>	coffee walnut, matte sheen <input type="checkbox"/>	+\$0
<b>667</b>	smoked paldao, quarter cut, matte sheen <input type="checkbox"/>	+\$1146
<b>669</b>	warm paldao, quarter cut, matte sheen <input type="checkbox"/>	+\$1146
<b>66A</b>	recograin frosty ash <input type="checkbox"/>	+\$0
<b>677</b>	chocolate ash, matte sheen <input type="checkbox"/>	+\$0
<b>678</b>	natural oak <input type="checkbox"/>	+\$0
<b>68R</b>	recograin rosewood <input type="checkbox"/>	+\$0
<b>69A</b>	recograin frosty ash <input type="checkbox"/>	+\$0
<b>69R</b>	recograin rosewood <input type="checkbox"/>	+\$0
<b>69T</b>	recograin teak <input type="checkbox"/>	+\$0
<b>6A1</b>	white ash <input type="checkbox"/>	+\$0
<b>6K1</b>	rift oak <input type="checkbox"/>	+\$0
<b>6K6</b>	burnt oak <input type="checkbox"/>	+\$0
<b>ET</b>	clear on ash <input type="checkbox"/>	+\$0
<b>EU</b>	oak on ash <input type="checkbox"/>	+\$0
<b>EV</b>	walnut on ash <input type="checkbox"/>	+\$0
<b>GOU</b>	natural walnut, flat cut, matte sheen <input type="checkbox"/>	+\$0

---

RecoGrain Veneer

*For three box drawers (-CK) with two 15" file drawers (CF)*

<b>66G</b>	recograin wenge <input type="checkbox"/>	-\$382
<b>68W</b>	recograin walnut, flat cut, matte sheen <input type="checkbox"/>	-\$382
<b>69G</b>	recograin wenge <input type="checkbox"/>	-\$382
<b>69K</b>	recograin oak, quarter cut, matte sheen <input type="checkbox"/>	-\$382
<b>69W</b>	recograin walnut, quarter cut, matte sheen <input type="checkbox"/>	-\$382

---

Recon Veneer -

*For three box drawers (-CK) with two 15" file drawers (CF)*

<b>96G</b>	wenge recograin, quarter cut, low sheen <input type="checkbox"/>	-\$382
<b>98W</b>	recograin walnut, flat cut, low sheen <input type="checkbox"/>	-\$382
<b>99G</b>	recograin wenge, quarter cut, low sheen <input type="checkbox"/>	-\$382
<b>99K</b>	recograin oak, quarter cut, low sheen <input type="checkbox"/>	-\$382
<b>99W</b>	recograin walnut, quarter cut, low sheen <input type="checkbox"/>	-\$382

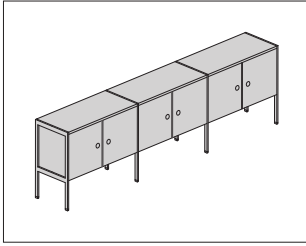
---

Step 6. Metal Finish

<b>BNZ</b>	bronze <input type="checkbox"/>	+\$0
<b>CHR</b>	chrome <input type="checkbox"/>	+\$0
<b>SAC</b>	satin chrome <input type="checkbox"/>	+\$0

# H-Frame Credenza Three Units Wide

JCH3-



## Product Information

### Description

This three-unit wide H-frame credenza has a wooden top and includes 1/2"-thick metal frame gables on the ends. H-frame credenzas are modular and shipped partially assembled.

### Notes

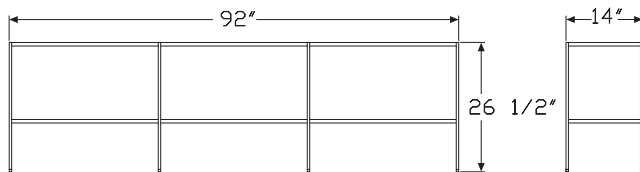
All hardware for assembly is included.

Drawer credenzas include wood boxes and self-closing hidden drawer slides.

CG six box drawer credenza includes pencil trays and felt lining in bottom of top two drawers.

When applicable, Ward Bennett Flip pulls come in matching metal finish. Santos palisander veneer is celebrated for its unique grain and color variations. Similar products ordered in multiples or dissimilar products ordered separately should be expected to have variation in both grain and color characteristics; no two products will look exactly alike.

### Dimensions



## Specification Information

### Step 1.

**JCH3** A

### Step 2. Size

**-1492** 14" deep x 92" wide x 26 1/2" high A

### Step 3. Configuration - left unit

- C1** open shelf A
- C2** two doors A
- CF** two 15" file drawers A
- CH** one file drawer A

### Step 4. Configuration - middle unit

#### For open shelf (-C1)

- C1** open shelf A
- C2** two doors A
- CF** two 15" file drawers A
- CG** six box drawers (top two pencil trays) A

#### For two doors (-C2)

- C2** two doors A

#### For two 15" file drawers (-CF)

- CF** two 15" file drawers A

#### For one file drawer (-CH)

- CH** one file drawer A

### Step 5. Configuration - right unit

#### For open shelf (-C1) with open shelf (C1)

- C1** open shelf A

#### For open shelf (-C1) with two doors (C2)

- C2** two doors A

#### For open shelf (-C1) with two 15" file drawers (CF)

- C2** two doors A

#### For open shelf (-C1) with six box drawers (top two pencil trays) (CG)

- C2** two doors A

#### For two doors (-C2) with two doors (C2)

- C2** two doors A

# H-Frame Credenza Three Units

## Wide *continued*

For two 15" file drawers (-CF) with two 15" file drawers (CF)

**CF** two 15" file drawers A

For one file drawer (-CH) with one file drawer (CH)

**CH** double doors left, 30" box/file right A

Prices for Steps 1-5.

			C1	CF	CH	C2
<b>JCH3-1492</b>	<b>-C1 C1</b>		\$6280	—	—	—
	<b>C2</b>		—	—	—	\$8449
	<b>CF</b>		—	—	—	\$8674
	<b>CG</b>		—	—	—	\$10132
	<b>-C2 C2</b>		—	—	—	\$9532
	<b>-CF CF</b>		—	\$10205	—	—
	<b>-CH CH</b>		—	—	\$9944	—

Step 6. Wood Finish

Premium Veneer - Low Sheen

		-C1C1C1	-C1C2C2	-C1CFC2	-C1CGC2	-C2C2C2
<b>931</b>	champagne anigre (natural) <span style="border: 1px solid black; padding: 0 2px;">A</span>	+\$1155	1554	1596	1864	1754
<b>932</b>	sundance anigre <span style="border: 1px solid black; padding: 0 2px;">A</span>	+\$1155	1554	1596	1864	1754
<b>933</b>	caramel anigre <span style="border: 1px solid black; padding: 0 2px;">A</span>	+\$1155	1554	1596	1864	1754
<b>934</b>	henna anigre <span style="border: 1px solid black; padding: 0 2px;">A</span>	+\$1155	1554	1596	1864	1754
<b>941</b>	natural beech <span style="border: 1px solid black; padding: 0 2px;">A</span>	+\$0	0	0	0	0
<b>942</b>	sundance cherry (natural) <span style="border: 1px solid black; padding: 0 2px;">A</span>	+\$0	0	0	0	0
<b>943</b>	caramel cherry <span style="border: 1px solid black; padding: 0 2px;">A</span>	+\$0	0	0	0	0
<b>946</b>	cocoa cherry <span style="border: 1px solid black; padding: 0 2px;">A</span>	+\$0	0	0	0	0
<b>951</b>	natural anigre <span style="border: 1px solid black; padding: 0 2px;">A</span>	+\$2513	3380	3470	4053	3813
<b>956</b>	cocoa sapele <span style="border: 1px solid black; padding: 0 2px;">A</span>	+\$0	0	0	0	0
<b>962</b>	toasted walnut, low sheen <span style="border: 1px solid black; padding: 0 2px;">A</span>	+\$0	0	0	0	0
<b>963</b>	charred walnut, low sheen <span style="border: 1px solid black; padding: 0 2px;">A</span>	+\$0	0	0	0	0
<b>964</b>	bronzed walnut, low sheen <span style="border: 1px solid black; padding: 0 2px;">A</span>	+\$0	0	0	0	0
<b>965</b>	smoked walnut, low sheen <span style="border: 1px solid black; padding: 0 2px;">A</span>	+\$0	0	0	0	0
<b>966</b>	coffee walnut, low sheen <span style="border: 1px solid black; padding: 0 2px;">A</span>	+\$0	0	0	0	0
<b>967</b>	smoked paldao, low sheen <span style="border: 1px solid black; padding: 0 2px;">A</span>	+\$943	1268	1302	1520	1430
<b>969</b>	warm paldao, low sheen <span style="border: 1px solid black; padding: 0 2px;">A</span>	+\$943	1268	1302	1520	1430

<b>977</b>	chocolate ash, low sheen <span style="border: 1px solid black; padding: 0 2px;">A</span>	+\$0	0	0	0	0
<b>978</b>	natural oak <span style="border: 1px solid black; padding: 0 2px;">A</span>	+\$0	0	0	0	0
<b>981</b>	champagne hickory (natural) <span style="border: 1px solid black; padding: 0 2px;">A</span>	+\$0	0	0	0	0
<b>98R</b>	recograin rosewood <span style="border: 1px solid black; padding: 0 2px;">A</span>	+\$0	0	0	0	0
<b>991</b>	champagne ash <span style="border: 1px solid black; padding: 0 2px;">A</span>	+\$0	0	0	0	0
<b>998</b>	ebony ash <span style="border: 1px solid black; padding: 0 2px;">A</span>	+\$0	0	0	0	0
<b>99A</b>	recograin frosty ash <span style="border: 1px solid black; padding: 0 2px;">A</span>	+\$0	0	0	0	0
<b>99R</b>	recograin rosewood <span style="border: 1px solid black; padding: 0 2px;">A</span>	+\$0	0	0	0	0
<b>99T</b>	recograin teak <span style="border: 1px solid black; padding: 0 2px;">A</span>	+\$0	0	0	0	0
<b>9A1</b>	white ash, quarter cut, low sheen <span style="border: 1px solid black; padding: 0 2px;">A</span>	+\$0	0	0	0	0
<b>9K1</b>	rift oak, rift cut, low sheen <span style="border: 1px solid black; padding: 0 2px;">A</span>	+\$0	0	0	0	0
<b>9K6</b>	burnt oak, rift cut, low sheen <span style="border: 1px solid black; padding: 0 2px;">A</span>	+\$0	0	0	0	0
<b>ED</b>	aged cherry <span style="border: 1px solid black; padding: 0 2px;">A</span>	+\$0	0	0	0	0
<b>EK</b>	medium red walnut <span style="border: 1px solid black; padding: 0 2px;">A</span>	+\$0	0	0	0	0
<b>G2U</b>	light brown walnut, low sheen <span style="border: 1px solid black; padding: 0 2px;">A</span>	+\$0	0	0	0	0
<b>G40</b>	dark brown walnut, low sheen <span style="border: 1px solid black; padding: 0 2px;">A</span>	+\$0	0	0	0	0
<b>UX</b>	walnut on cherry <span style="border: 1px solid black; padding: 0 2px;">A</span>	+\$0	0	0	0	0

		-CFCFCF	-CHCHCH
<b>931</b>	champagne anigre (natural) <span style="border: 1px solid black; padding: 0 2px;">A</span>	+\$1878	1830
<b>932</b>	sundance anigre <span style="border: 1px solid black; padding: 0 2px;">A</span>	+\$1878	1830
<b>933</b>	caramel anigre <span style="border: 1px solid black; padding: 0 2px;">A</span>	+\$1878	1830
<b>934</b>	henna anigre <span style="border: 1px solid black; padding: 0 2px;">A</span>	+\$1878	1830
<b>941</b>	natural beech <span style="border: 1px solid black; padding: 0 2px;">A</span>	+\$0	0
<b>942</b>	sundance cherry (natural) <span style="border: 1px solid black; padding: 0 2px;">A</span>	+\$0	0
<b>943</b>	caramel cherry <span style="border: 1px solid black; padding: 0 2px;">A</span>	+\$0	0
<b>946</b>	cocoa cherry <span style="border: 1px solid black; padding: 0 2px;">A</span>	+\$0	0
<b>951</b>	natural anigre <span style="border: 1px solid black; padding: 0 2px;">A</span>	+\$4083	3978
<b>956</b>	cocoa sapele <span style="border: 1px solid black; padding: 0 2px;">A</span>	+\$0	0
<b>962</b>	toasted walnut, low sheen <span style="border: 1px solid black; padding: 0 2px;">A</span>	+\$0	0
<b>963</b>	charred walnut, low sheen <span style="border: 1px solid black; padding: 0 2px;">A</span>	+\$0	0
<b>964</b>	bronzed walnut, low sheen <span style="border: 1px solid black; padding: 0 2px;">A</span>	+\$0	0
<b>965</b>	smoked walnut, low sheen <span style="border: 1px solid black; padding: 0 2px;">A</span>	+\$0	0
<b>966</b>	coffee walnut, low sheen <span style="border: 1px solid black; padding: 0 2px;">A</span>	+\$0	0
<b>967</b>	smoked paldao, low sheen <span style="border: 1px solid black; padding: 0 2px;">A</span>	+\$1531	1492
<b>969</b>	warm paldao, low sheen <span style="border: 1px solid black; padding: 0 2px;">A</span>	+\$1531	1492

# H-Frame Credenza Three Units

Wide *continued*

<b>977</b>	chocolate ash, low sheen <input type="checkbox"/>	+\$0	0
<b>978</b>	natural oak <input type="checkbox"/>	+\$0	0
<b>981</b>	champagne hickory (natural) <input type="checkbox"/>	+\$0	0
<b>98R</b>	recograin rosewood <input type="checkbox"/>	+\$0	0
<b>991</b>	champagne ash <input type="checkbox"/>	+\$0	0
<b>998</b>	ebony ash <input type="checkbox"/>	+\$0	0
<b>99A</b>	recograin frosty ash <input type="checkbox"/>	+\$0	0
<b>99R</b>	recograin rosewood <input type="checkbox"/>	+\$0	0
<b>99T</b>	recograin teak <input type="checkbox"/>	+\$0	0
<b>9A1</b>	white ash, quarter cut, low sheen <input type="checkbox"/>	+\$0	0
<b>9K1</b>	rift oak, rift cut, low sheen <input type="checkbox"/>	+\$0	0
<b>9K6</b>	burnt oak, rift cut, low sheen <input type="checkbox"/>	+\$0	0
<b>ED</b>	aged cherry <input type="checkbox"/>	+\$0	0
<b>EK</b>	medium red walnut <input type="checkbox"/>	+\$0	0
<b>G2U</b>	light brown walnut, low sheen <input type="checkbox"/>	+\$0	0
<b>G40</b>	dark brown walnut, low sheen <input type="checkbox"/>	+\$0	0
<b>UX</b>	walnut on cherry <input type="checkbox"/>	+\$0	0

Premium Veneer - Matte						
		-C1C1C1	-C1C2C2	-C1CFC2	-C1CGC2	-C2C2C2
<b>662</b>	toasted walnut, matte sheen <input type="checkbox"/>	+\$0	0	0	0	0
<b>663</b>	charred walnut, matte sheen <input type="checkbox"/>	+\$0	0	0	0	0
<b>664</b>	bronzed walnut, matte sheen <input type="checkbox"/>	+\$0	0	0	0	0
<b>665</b>	smoked walnut, matte sheen <input type="checkbox"/>	+\$0	0	0	0	0
<b>666</b>	coffee walnut, matte sheen <input type="checkbox"/>	+\$0	0	0	0	0
<b>667</b>	smoked paldao, quarter cut, matte sheen <input type="checkbox"/>	+\$943	1268	1302	1520	1430
<b>669</b>	warm paldao, quarter cut, matte sheen <input type="checkbox"/>	+\$943	1268	1302	1520	1430
<b>66A</b>	recograin frosty ash <input type="checkbox"/>	+\$0	0	0	0	0
<b>677</b>	chocolate ash, matte sheen <input type="checkbox"/>	+\$0	0	0	0	0
<b>678</b>	natural oak <input type="checkbox"/>	+\$0	0	0	0	0
<b>68R</b>	recograin rosewood <input type="checkbox"/>	+\$0	0	0	0	0
<b>69A</b>	recograin frosty ash <input type="checkbox"/>	+\$0	0	0	0	0
<b>69R</b>	recograin rosewood <input type="checkbox"/>	+\$0	0	0	0	0
<b>69T</b>	recograin teak <input type="checkbox"/>	+\$0	0	0	0	0
<b>6A1</b>	white ash <input type="checkbox"/>	+\$0	0	0	0	0
<b>6K1</b>	rift oak <input type="checkbox"/>	+\$0	0	0	0	0
<b>6K6</b>	burnt oak <input type="checkbox"/>	+\$0	0	0	0	0
<b>ET</b>	clear on ash <input type="checkbox"/>	+\$0	0	0	0	0
<b>EU</b>	oak on ash <input type="checkbox"/>	+\$0	0	0	0	0
<b>EV</b>	walnut on ash <input type="checkbox"/>	+\$0	0	0	0	0
<b>GOU</b>	natural walnut, flat cut, matte sheen <input type="checkbox"/>	+\$0	0	0	0	0

HermanMiller Collection—Storage

# H-Frame Credenza Three Units

Wide *continued*

		-CFCFCF	-CHCHCH
662	toasted walnut, matte sheen <input type="checkbox"/>	+\$0	o
663	charred walnut, matte sheen <input type="checkbox"/>	+\$0	o
664	bronzed walnut, matte sheen <input type="checkbox"/>	+\$0	o
665	smoked walnut, matte sheen <input type="checkbox"/>	+\$0	o
666	coffee walnut, matte sheen <input type="checkbox"/>	+\$0	o
667	smoked paldao, quarter cut, matte sheen <input type="checkbox"/>	+\$1531	1492
669	warm paldao, quarter cut, matte sheen <input type="checkbox"/>	+\$1531	1492
66A	recograin frosty ash <input type="checkbox"/>	+\$0	o
677	chocolate ash, matte sheen <input type="checkbox"/>	+\$0	o
678	natural oak <input type="checkbox"/>	+\$0	o
68R	recograin rosewood <input type="checkbox"/>	+\$0	o
69A	recograin frosty ash <input type="checkbox"/>	+\$0	o
69R	recograin rosewood <input type="checkbox"/>	+\$0	o
69T	recograin teak <input type="checkbox"/>	+\$0	o
6A1	white ash <input type="checkbox"/>	+\$0	o
6K1	rift oak <input type="checkbox"/>	+\$0	o
6K6	burnt oak <input type="checkbox"/>	+\$0	o
ET	clear on ash <input type="checkbox"/>	+\$0	o
EU	oak on ash <input type="checkbox"/>	+\$0	o
EV	walnut on ash <input type="checkbox"/>	+\$0	o
GOU	natural walnut, flat cut, matte sheen <input type="checkbox"/>	+\$0	o

RecoGrain Veneer

		-C1C1C1	-C1C2C2	-C1CFC2	-C1CGC2	-C2C2C2
66G	recograin wenge <input type="checkbox"/>	-\$315	-423	-434	-507	-477
68W	recograin walnut, flat cut, matte sheen <input type="checkbox"/>	-\$315	-423	-434	-507	-477
69G	recograin wenge <input type="checkbox"/>	-\$315	-423	-434	-507	-477
69K	recograin oak, quarter cut, matte sheen <input type="checkbox"/>	-\$315	-423	-434	-507	-477
69W	recograin walnut, quarter cut, matte sheen <input type="checkbox"/>	-\$315	-423	-434	-507	-477

		-CFCFCF	-CHCHCH
66G	recograin wenge <input type="checkbox"/>	-\$511	-498
68W	recograin walnut, flat cut, matte sheen <input type="checkbox"/>	-\$511	-498
69G	recograin wenge <input type="checkbox"/>	-\$511	-498
69K	recograin oak, quarter cut, matte sheen <input type="checkbox"/>	-\$511	-498
69W	recograin walnut, quarter cut, matte sheen <input type="checkbox"/>	-\$511	-498

Recon Veneer -

		-C1C1C1	-C1C2C2	-C1CFC2	-C1CGC2	-C2C2C2
96G	wenge recograin, quarter cut, low sheen <input type="checkbox"/>	-\$315	-423	-434	-507	-477
98W	recograin walnut, flat cut, low sheen <input type="checkbox"/>	-\$315	-423	-434	-507	-477
99G	recograin wenge, quarter cut, low sheen <input type="checkbox"/>	-\$315	-423	-434	-507	-477
99K	recograin oak, quarter cut, low sheen <input type="checkbox"/>	-\$315	-423	-434	-507	-477
99W	recograin walnut, quarter cut, low sheen <input type="checkbox"/>	-\$315	-423	-434	-507	-477

		-CFCFCF	-CHCHCH
96G	wenge recograin, quarter cut, low sheen <input type="checkbox"/>	-\$511	-498
98W	recograin walnut, flat cut, low sheen <input type="checkbox"/>	-\$511	-498
99G	recograin wenge, quarter cut, low sheen <input type="checkbox"/>	-\$511	-498
99K	recograin oak, quarter cut, low sheen <input type="checkbox"/>	-\$511	-498
99W	recograin walnut, quarter cut, low sheen <input type="checkbox"/>	-\$511	-498

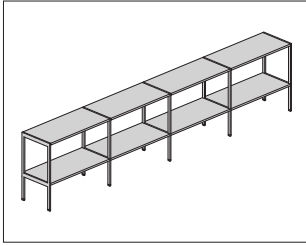
Step 7. Metal Finish

BNZ	bronze <input type="checkbox"/>	+\$0
CHR	chrome <input type="checkbox"/>	+\$0
SAC	satin chrome <input type="checkbox"/>	+\$0



# H-Frame Credenza Four Units Wide

JCH4-



## Product Information

### Description

This four-unit wide H-frame credenza has a wooden top and includes 1/2"-thick metal frame gables on the ends. H-frame credenzas are modular and shipped partially assembled.

### Notes

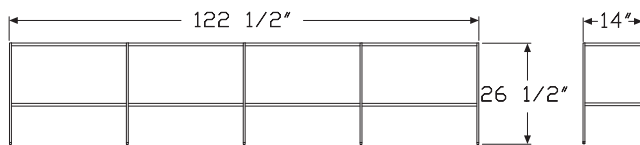
All hardware for assembly is included.

Drawer credenzas include wood boxes and self-closing hidden drawer slides.

CG six box drawer credenza includes pencil trays and felt lining in bottom of top two drawers.

When applicable, Ward Bennett Flip pulls come in matching metal finish. Santos palisander veneer is celebrated for its unique grain and color variations. Similar products ordered in multiples or dissimilar products ordered separately should be expected to have variation in both grain and color characteristics; no two products will look exactly alike.

### Dimensions



## Specification Information

### Step 1.

**JCH4** A

### Step 2. Size

**-14123** 14" deep x 122 1/2" wide x 26 1/2" high A

### Step 3. Configuration - left unit

- C1** open shelf A
- C2** two doors A
- CF** two 15" file drawers A
- CH** one file drawer A

### Step 4. Configuration - left center unit

#### For open shelf (-C1)

- C1** open shelf A
- CG** six box drawers (top two pencil trays) A

#### For two doors (-C2)

- C2** two doors A

#### For two 15" file drawers (-CF)

- CF** two 15" file drawers A

#### For one file drawer (-CH)

- CH** one file drawer A

### Step 5. Configuration - right center unit

#### For open shelf (-C1) with open shelf (C1)

- C1** open shelf A
- C2** two doors A
- CG** six box drawers (top two pencil trays) A

#### For open shelf (-C1) with six box drawers (top two pencil trays) (CG)

- CF** two 15" file drawers A

#### For two doors (-C2) with two doors (C2)

- C2** two doors A

#### For two 15" file drawers (-CF) with two 15" file drawers (CF)

- CF** two 15" file drawers A

#### For one file drawer (-CH) with one file drawer (CH)

- CH** one file drawer A

# H-Frame Credenza Four Units

## Wide *continued*

### Step 6. Configuration - right unit

*For open shelf (-C1) with open shelf (C1) with open shelf (C1)*

**C1** open shelf A

*For open shelf (-C1) with open shelf (C1) with two doors (C2)*

**C2** two doors A

*For open shelf (-C1) with open shelf (C1) with six box drawers (top two pencil trays) (CG)*

**C2** two doors A

*For open shelf (-C1) with six box drawers (top two pencil trays) (CG) with two 15" file drawers (CF)*

**C2** two doors A

*For two doors (-C2) with two doors (C2) with two doors (C2)*

**C2** two doors A

*For two 15" file drawers (-CF) with two 15" file drawers (CF) with two 15" file drawers (CF)*

**CF** two 15" file drawers A

*For one file drawer (-CH) with one file drawer (CH) with one file drawer (CH)*

**CH** double doors left, 30" box/file right A

### Prices for Steps 1-6.

		C1C1	C1C2	CFCF	CFC2	CHCH	C2C2
<b>JCH4-14123</b>	<b>-C1 C1</b>	\$8175	—	—	—	—	10344
	<b>CG</b>	—	—	—	\$13333	—	—
	<b>-C2 C2</b>	—	—	—	—	—	\$12510
	<b>-CF CF</b>	—	—	\$13409	—	—	—
	<b>-CH CH</b>	—	—	—	—	—	\$13060
						<b>CGCF</b>	<b>CGC2</b>
<b>JCH4-14123</b>	<b>-C1 C1</b>						— \$12025

### Step 7. Wood Finish

Premium Veneer - Low Sheen

*For open shelf (C1), two doors (C2), two 15" file drawers (CF) AND one file drawer (CH)*

		-C1C1C1	-C1C1C2	-C1C1CGC2	-C1C1CGCF2	-C2C2C2
<b>931</b>	champagne anigre (natural) <span style="border: 1px solid black; padding: 0 2px;">A</span>	+\$1504	1903	2212	2302	2467

<b>932</b>	sundance anigre <span style="border: 1px solid black; padding: 0 2px;">A</span>	+\$1504	1903	2212	2302	2467
<b>933</b>	caramel anigre <span style="border: 1px solid black; padding: 0 2px;">A</span>	+\$1504	1903	2212	2302	2467
<b>934</b>	henna anigre <span style="border: 1px solid black; padding: 0 2px;">A</span>	+\$1504	1903	2212	2302	2467
<b>941</b>	natural beech <span style="border: 1px solid black; padding: 0 2px;">A</span>	+\$0	0	0	0	0
<b>942</b>	sundance cherry (natural) <span style="border: 1px solid black; padding: 0 2px;">A</span>	+\$0	0	0	0	0
<b>943</b>	caramel cherry <span style="border: 1px solid black; padding: 0 2px;">A</span>	+\$0	0	0	0	0
<b>946</b>	cocoa cherry <span style="border: 1px solid black; padding: 0 2px;">A</span>	+\$0	0	0	0	0
<b>951</b>	natural anigre <span style="border: 1px solid black; padding: 0 2px;">A</span>	+\$3271	4138	4810	5005	5364
<b>956</b>	cocoa sapele <span style="border: 1px solid black; padding: 0 2px;">A</span>	+\$0	0	0	0	0
<b>962</b>	toasted walnut, low sheen <span style="border: 1px solid black; padding: 0 2px;">A</span>	+\$0	0	0	0	0
<b>963</b>	charred walnut, low sheen <span style="border: 1px solid black; padding: 0 2px;">A</span>	+\$0	0	0	0	0
<b>964</b>	bronzed walnut, low sheen <span style="border: 1px solid black; padding: 0 2px;">A</span>	+\$0	0	0	0	0
<b>965</b>	smoked walnut, low sheen <span style="border: 1px solid black; padding: 0 2px;">A</span>	+\$0	0	0	0	0
<b>966</b>	coffee walnut, low sheen <span style="border: 1px solid black; padding: 0 2px;">A</span>	+\$0	0	0	0	0
<b>967</b>	smoked paldao, low sheen <span style="border: 1px solid black; padding: 0 2px;">A</span>	+\$1227	1552	1804	1877	2012
<b>969</b>	warm paldao, low sheen <span style="border: 1px solid black; padding: 0 2px;">A</span>	+\$1227	1552	1804	1877	2012
<b>977</b>	chocolate ash, low sheen <span style="border: 1px solid black; padding: 0 2px;">A</span>	+\$0	0	0	0	0
<b>978</b>	natural oak <span style="border: 1px solid black; padding: 0 2px;">A</span>	+\$0	0	0	0	0
<b>981</b>	champagne hickory (natural) <span style="border: 1px solid black; padding: 0 2px;">A</span>	+\$0	0	0	0	0
<b>98R</b>	recograin rosewood <span style="border: 1px solid black; padding: 0 2px;">A</span>	+\$0	0	0	0	0
<b>991</b>	champagne ash <span style="border: 1px solid black; padding: 0 2px;">A</span>	+\$0	0	0	0	0
<b>998</b>	ebony ash <span style="border: 1px solid black; padding: 0 2px;">A</span>	+\$0	0	0	0	0
<b>99A</b>	recograin frosty ash <span style="border: 1px solid black; padding: 0 2px;">A</span>	+\$0	0	0	0	0
<b>99R</b>	recograin rosewood <span style="border: 1px solid black; padding: 0 2px;">A</span>	+\$0	0	0	0	0
<b>99T</b>	recograin teak <span style="border: 1px solid black; padding: 0 2px;">A</span>	+\$0	0	0	0	0
<b>9A1</b>	white ash, quarter cut, low sheen <span style="border: 1px solid black; padding: 0 2px;">A</span>	+\$0	0	0	0	0
<b>9K1</b>	rift oak, rift cut, low sheen <span style="border: 1px solid black; padding: 0 2px;">A</span>	+\$0	0	0	0	0
<b>9K6</b>	burnt oak, rift cut, low sheen <span style="border: 1px solid black; padding: 0 2px;">A</span>	+\$0	0	0	0	0
<b>ED</b>	aged cherry <span style="border: 1px solid black; padding: 0 2px;">A</span>	+\$0	0	0	0	0

# H-Frame Credenza Four Units

## Wide *continued*

<b>EK</b>	medium red walnut <input type="checkbox"/>	+\$0	0	0	0	0
<b>G2U</b>	light brown walnut, low sheen <input type="checkbox"/>	+\$0	0	0	0	0
<b>G40</b>	dark brown walnut, low sheen <input type="checkbox"/>	+\$0	0	0	0	0
<b>UX</b>	walnut on cherry <input type="checkbox"/>	+\$0	0	0	0	0
-CFCFCFCF -CHCHCHH						
<b>931</b>	champagne anigre (natural) <input type="checkbox"/>					+\$2403
<b>932</b>	sundance anigre <input type="checkbox"/>					+\$2403
<b>933</b>	caramel anigre <input type="checkbox"/>					+\$2403
<b>934</b>	henna anigre <input type="checkbox"/>					+\$2403
<b>941</b>	natural beech <input type="checkbox"/>					+\$0
<b>942</b>	sundance cherry (natural) <input type="checkbox"/>					+\$0
<b>943</b>	caramel cherry <input type="checkbox"/>					+\$0
<b>946</b>	cocoa cherry <input type="checkbox"/>					+\$0
<b>951</b>	natural anigre <input type="checkbox"/>					+\$5225
<b>956</b>	cocoa sapele <input type="checkbox"/>					+\$0
<b>962</b>	toasted walnut, low sheen <input type="checkbox"/>					+\$0
<b>963</b>	charred walnut, low sheen <input type="checkbox"/>					+\$0
<b>964</b>	bronzed walnut, low sheen <input type="checkbox"/>					+\$0
<b>965</b>	smoked walnut, low sheen <input type="checkbox"/>					+\$0
<b>966</b>	coffee walnut, low sheen <input type="checkbox"/>					+\$0
<b>967</b>	smoked paldao, low sheen <input type="checkbox"/>					+\$1960
<b>969</b>	warm paldao, low sheen <input type="checkbox"/>					+\$1960
<b>977</b>	chocolate ash, low sheen <input type="checkbox"/>					+\$0
<b>978</b>	natural oak <input type="checkbox"/>					+\$0
<b>981</b>	champagne hickory (natural) <input type="checkbox"/>					+\$0
<b>98R</b>	recograin rosewood <input type="checkbox"/>					+\$0
<b>991</b>	champagne ash <input type="checkbox"/>					+\$0
<b>998</b>	ebony ash <input type="checkbox"/>					+\$0
<b>99A</b>	recograin frosty ash <input type="checkbox"/>					+\$0
<b>99R</b>	recograin rosewood <input type="checkbox"/>					+\$0
<b>99T</b>	recograin teak <input type="checkbox"/>					+\$0
<b>9A1</b>	white ash, quarter cut, low sheen <input type="checkbox"/>					+\$0
<b>9K1</b>	rift oak, rift cut, low sheen <input type="checkbox"/>					+\$0
<b>9K6</b>	burnt oak, rift cut, low sheen <input type="checkbox"/>					+\$0
<b>ED</b>	aged cherry <input type="checkbox"/>					+\$0
<b>EK</b>	medium red walnut <input type="checkbox"/>					+\$0
<b>G2U</b>	light brown walnut, low sheen <input type="checkbox"/>					+\$0
<b>G40</b>	dark brown walnut, low sheen <input type="checkbox"/>					+\$0
<b>UX</b>	walnut on cherry <input type="checkbox"/>					+\$0

Premium Veneer - Matte						
For open shelf (C1), two doors (C2), two 15" file drawers (CF) AND one file drawer (CH)						
		-C1C1C1C1	-C1C1C2C2	-C1C1C6C2	-C1CGCF2	-C2C2C2C2
<b>662</b>	toasted walnut, matte sheen <input type="checkbox"/>	+\$0	0	0	0	0
<b>663</b>	charred walnut, matte sheen <input type="checkbox"/>	+\$0	0	0	0	0
<b>664</b>	bronzed walnut, matte sheen <input type="checkbox"/>	+\$0	0	0	0	0
<b>665</b>	smoked walnut, matte sheen <input type="checkbox"/>	+\$0	0	0	0	0
<b>666</b>	coffee walnut, matte sheen <input type="checkbox"/>	+\$0	0	0	0	0
<b>667</b>	smoked paldao, quarter cut, matte sheen <input type="checkbox"/>	+\$1227	1552	1804	1877	2012
<b>669</b>	warm paldao, quarter cut, matte sheen <input type="checkbox"/>	+\$1227	1552	1804	1877	2012
<b>66A</b>	recograin frosty ash <input type="checkbox"/>	+\$0	0	0	0	0
<b>677</b>	chocolate ash, matte sheen <input type="checkbox"/>	+\$0	0	0	0	0
<b>678</b>	natural oak <input type="checkbox"/>	+\$0	0	0	0	0
<b>68R</b>	recograin rosewood <input type="checkbox"/>	+\$0	0	0	0	0
<b>69A</b>	recograin frosty ash <input type="checkbox"/>	+\$0	0	0	0	0
<b>69R</b>	recograin rosewood <input type="checkbox"/>	+\$0	0	0	0	0
<b>69T</b>	recograin teak <input type="checkbox"/>	+\$0	0	0	0	0
<b>6A1</b>	white ash <input type="checkbox"/>	+\$0	0	0	0	0
<b>6K1</b>	rift oak <input type="checkbox"/>	+\$0	0	0	0	0
<b>6K6</b>	burnt oak <input type="checkbox"/>	+\$0	0	0	0	0
<b>ET</b>	clear on ash <input type="checkbox"/>	+\$0	0	0	0	0
<b>EU</b>	oak on ash <input type="checkbox"/>	+\$0	0	0	0	0
<b>EV</b>	walnut on ash <input type="checkbox"/>	+\$0	0	0	0	0
<b>GOU</b>	natural walnut, flat cut, matte sheen <input type="checkbox"/>	+\$0	0	0	0	0

# H-Frame Credenza Four Units

## Wide *continued*

		-CFCFCFCF	-CHCHCHCH
662	toasted walnut, matte sheen <input type="checkbox"/>		+\$0
663	charred walnut, matte sheen <input type="checkbox"/>		+\$0
664	bronzed walnut, matte sheen <input type="checkbox"/>		+\$0
665	smoked walnut, matte sheen <input type="checkbox"/>		+\$0
666	coffee walnut, matte sheen <input type="checkbox"/>		+\$0
667	smoked paldao, quarter cut, matte sheen <input type="checkbox"/>		+\$1960
669	warm paldao, quarter cut, matte sheen <input type="checkbox"/>		+\$1960
66A	recograin frosty ash <input type="checkbox"/>		+\$0
677	chocolate ash, matte sheen <input type="checkbox"/>		+\$0
678	natural oak <input type="checkbox"/>		+\$0
68R	recograin rosewood <input type="checkbox"/>		+\$0
69A	recograin frosty ash <input type="checkbox"/>		+\$0
69R	recograin rosewood <input type="checkbox"/>		+\$0
69T	recograin teak <input type="checkbox"/>		+\$0
6A1	white ash <input type="checkbox"/>		+\$0
6K1	rift oak <input type="checkbox"/>		+\$0
6K6	burnt oak <input type="checkbox"/>		+\$0
ET	clear on ash <input type="checkbox"/>		+\$0
EU	oak on ash <input type="checkbox"/>		+\$0
EV	walnut on ash <input type="checkbox"/>		+\$0
GOU	natural walnut, flat cut, matte sheen <input type="checkbox"/>		+\$0

### RecoGrain Veneer

For open shelf (C1), two doors (C2), two 15" file drawers (CF) AND one file drawer (CH)

		-C1C1C1C1	-C1C1C2C2	-C1C1CGC2	-C1CGCFC2	-C2C2C2C2
66G	recograin wenge <input type="checkbox"/>	-\$409	-518	-602	-626	-671
68W	recograin walnut, flat cut, matte sheen <input type="checkbox"/>	-\$409	-518	-602	-626	-671
69G	recograin wenge <input type="checkbox"/>	-\$409	-518	-602	-626	-671
69K	recograin oak, quarter cut, matte sheen <input type="checkbox"/>	-\$409	-518	-602	-626	-671
69W	recograin walnut, quarter cut, matte sheen <input type="checkbox"/>	-\$409	-518	-602	-626	-671

		-CFCFCFCF	-CHCHCHCH
66G	recograin wenge <input type="checkbox"/>		-\$654
68W	recograin walnut, flat cut, matte sheen <input type="checkbox"/>		-\$654
69G	recograin wenge <input type="checkbox"/>		-\$654
69K	recograin oak, quarter cut, matte sheen <input type="checkbox"/>		-\$654
69W	recograin walnut, quarter cut, matte sheen <input type="checkbox"/>		-\$654

### Recon Veneer -

For open shelf (C1), two doors (C2), two 15" file drawers (CF) AND one file drawer (CH)

		-C1C1C1C1	-C1C1C2C2	-C1C1CGC2	-C1CGCFC2	-C2C2C2C2
96G	wenge recograin, quarter cut, low sheen <input type="checkbox"/>	-\$409	-518	-602	-626	-671
98W	recograin walnut, flat cut, low sheen <input type="checkbox"/>	-\$409	-518	-602	-626	-671
99G	recograin wenge, quarter cut, low sheen <input type="checkbox"/>	-\$409	-518	-602	-626	-671
99K	recograin oak, quarter cut, low sheen <input type="checkbox"/>	-\$409	-518	-602	-626	-671
99W	recograin walnut, quarter cut, low sheen <input type="checkbox"/>	-\$409	-518	-602	-626	-671

		-CFCFCFCF	-CHCHCHCH
96G	wenge recograin, quarter cut, low sheen <input type="checkbox"/>		-\$654
98W	recograin walnut, flat cut, low sheen <input type="checkbox"/>		-\$654
99G	recograin wenge, quarter cut, low sheen <input type="checkbox"/>		-\$654
99K	recograin oak, quarter cut, low sheen <input type="checkbox"/>		-\$654
99W	recograin walnut, quarter cut, low sheen <input type="checkbox"/>		-\$654

# H-Frame Credenza Four Units

## Wide *continued*

### Premium Veneer - Low Sheen

*For open shelf (-C1) or one file drawer (-CH) with one file drawer (CH), or six box drawers (top two pencil trays) (CG) with two 15" file drawers (CF), or one file drawer (CH) with two doors (C2)*

<b>921</b>	champagne beech, flat cut, low sheen <span style="border: 1px solid black; padding: 0 2px;">A</span>	+\$0
<b>931</b>	champagne anigre (natural) <span style="border: 1px solid black; padding: 0 2px;">A</span>	+\$2453
<b>932</b>	sundance anigre <span style="border: 1px solid black; padding: 0 2px;">A</span>	+\$2453
<b>933</b>	caramel anigre <span style="border: 1px solid black; padding: 0 2px;">A</span>	+\$2453
<b>941</b>	natural beech <span style="border: 1px solid black; padding: 0 2px;">A</span>	+\$0
<b>942</b>	sundance cherry (natural) <span style="border: 1px solid black; padding: 0 2px;">A</span>	+\$0
<b>943</b>	caramel cherry <span style="border: 1px solid black; padding: 0 2px;">A</span>	+\$0
<b>946</b>	cocoa cherry <span style="border: 1px solid black; padding: 0 2px;">A</span>	+\$0
<b>951</b>	natural anigre <span style="border: 1px solid black; padding: 0 2px;">A</span>	+\$5334
<b>956</b>	cocoa sapele <span style="border: 1px solid black; padding: 0 2px;">A</span>	+\$0
<b>962</b>	toasted walnut, low sheen <span style="border: 1px solid black; padding: 0 2px;">A</span>	+\$0
<b>963</b>	charred walnut, low sheen <span style="border: 1px solid black; padding: 0 2px;">A</span>	+\$0
<b>964</b>	bronzed walnut, low sheen <span style="border: 1px solid black; padding: 0 2px;">A</span>	+\$0
<b>965</b>	smoked walnut, low sheen <span style="border: 1px solid black; padding: 0 2px;">A</span>	+\$0
<b>966</b>	coffee walnut, low sheen <span style="border: 1px solid black; padding: 0 2px;">A</span>	+\$0
<b>967</b>	smoked paldao, low sheen <span style="border: 1px solid black; padding: 0 2px;">A</span>	+\$2001
<b>969</b>	warm paldao, low sheen <span style="border: 1px solid black; padding: 0 2px;">A</span>	+\$2001
<b>977</b>	chocolate ash, low sheen <span style="border: 1px solid black; padding: 0 2px;">A</span>	+\$0
<b>978</b>	natural oak <span style="border: 1px solid black; padding: 0 2px;">A</span>	+\$0
<b>981</b>	champagne hickory (natural) <span style="border: 1px solid black; padding: 0 2px;">A</span>	+\$0
<b>98R</b>	recoGrain rosewood <span style="border: 1px solid black; padding: 0 2px;">A</span>	+\$0
<b>991</b>	champagne ash <span style="border: 1px solid black; padding: 0 2px;">A</span>	+\$0
<b>998</b>	ebony ash <span style="border: 1px solid black; padding: 0 2px;">A</span>	+\$0
<b>99A</b>	recoGrain frosty ash <span style="border: 1px solid black; padding: 0 2px;">A</span>	+\$0
<b>99R</b>	recoGrain rosewood <span style="border: 1px solid black; padding: 0 2px;">A</span>	+\$0
<b>99T</b>	recoGrain teak <span style="border: 1px solid black; padding: 0 2px;">A</span>	+\$0
<b>9A1</b>	white ash, quarter cut, low sheen <span style="border: 1px solid black; padding: 0 2px;">A</span>	+\$0
<b>9K1</b>	rift oak, rift cut, low sheen <span style="border: 1px solid black; padding: 0 2px;">A</span>	+\$0
<b>9K6</b>	burnt oak, rift cut, low sheen <span style="border: 1px solid black; padding: 0 2px;">A</span>	+\$0
<b>ED</b>	aged cherry <span style="border: 1px solid black; padding: 0 2px;">A</span>	+\$0
<b>EK</b>	medium red walnut <span style="border: 1px solid black; padding: 0 2px;">A</span>	+\$0
<b>G2U</b>	light brown walnut, low sheen <span style="border: 1px solid black; padding: 0 2px;">A</span>	+\$0
<b>G40</b>	dark brown walnut, low sheen <span style="border: 1px solid black; padding: 0 2px;">A</span>	+\$0
<b>UX</b>	walnut on cherry <span style="border: 1px solid black; padding: 0 2px;">A</span>	+\$0

### Premium Veneer - Matte

*For open shelf (-C1) or one file drawer (-CH) with one file drawer (CH), or six box drawers (top two pencil trays) (CG) with two 15" file drawers (CF), or one file drawer (CH) with two doors (C2)*

<b>662</b>	toasted walnut, matte sheen <span style="border: 1px solid black; padding: 0 2px;">A</span>	+\$0
<b>663</b>	charred walnut, matte sheen <span style="border: 1px solid black; padding: 0 2px;">A</span>	+\$0
<b>664</b>	bronzed walnut, matte sheen <span style="border: 1px solid black; padding: 0 2px;">A</span>	+\$0
<b>665</b>	smoked walnut, matte sheen <span style="border: 1px solid black; padding: 0 2px;">A</span>	+\$0
<b>666</b>	coffee walnut, matte sheen <span style="border: 1px solid black; padding: 0 2px;">A</span>	+\$0
<b>667</b>	smoked paldao, quarter cut, matte sheen <span style="border: 1px solid black; padding: 0 2px;">A</span>	+\$2001
<b>669</b>	warm paldao, quarter cut, matte sheen <span style="border: 1px solid black; padding: 0 2px;">A</span>	+\$2001
<b>66A</b>	recoGrain frosty ash <span style="border: 1px solid black; padding: 0 2px;">A</span>	+\$0
<b>677</b>	chocolate ash, matte sheen <span style="border: 1px solid black; padding: 0 2px;">A</span>	+\$0
<b>678</b>	natural oak <span style="border: 1px solid black; padding: 0 2px;">A</span>	+\$0
<b>68R</b>	recoGrain rosewood <span style="border: 1px solid black; padding: 0 2px;">A</span>	+\$0
<b>69A</b>	recoGrain frosty ash <span style="border: 1px solid black; padding: 0 2px;">A</span>	+\$0
<b>69R</b>	recoGrain rosewood <span style="border: 1px solid black; padding: 0 2px;">A</span>	+\$0
<b>69T</b>	recoGrain teak <span style="border: 1px solid black; padding: 0 2px;">A</span>	+\$0
<b>6A1</b>	white ash <span style="border: 1px solid black; padding: 0 2px;">A</span>	+\$0
<b>6K1</b>	rift oak <span style="border: 1px solid black; padding: 0 2px;">A</span>	+\$0
<b>6K6</b>	burnt oak <span style="border: 1px solid black; padding: 0 2px;">A</span>	+\$0
<b>ET</b>	clear on ash <span style="border: 1px solid black; padding: 0 2px;">A</span>	+\$0
<b>EU</b>	oak on ash <span style="border: 1px solid black; padding: 0 2px;">A</span>	+\$0
<b>EV</b>	walnut on ash <span style="border: 1px solid black; padding: 0 2px;">A</span>	+\$0
<b>GOU</b>	natural walnut, flat cut, matte sheen <span style="border: 1px solid black; padding: 0 2px;">A</span>	+\$0

### RecoGrain Veneer

*For open shelf (-C1) or one file drawer (-CH) with one file drawer (CH), or six box drawers (top two pencil trays) (CG) with two 15" file drawers (CF), or one file drawer (CH) with two doors (C2)*

<b>66G</b>	recoGrain wenge <span style="border: 1px solid black; padding: 0 2px;">A</span>	-\$667
<b>68W</b>	recoGrain walnut, flat cut, matte sheen <span style="border: 1px solid black; padding: 0 2px;">A</span>	-\$667
<b>69G</b>	recoGrain wenge <span style="border: 1px solid black; padding: 0 2px;">A</span>	-\$667
<b>69K</b>	recoGrain oak, quarter cut, matte sheen <span style="border: 1px solid black; padding: 0 2px;">A</span>	-\$667
<b>69W</b>	recoGrain walnut, quarter cut, matte sheen <span style="border: 1px solid black; padding: 0 2px;">A</span>	-\$667

### Recon Veneer -

*For open shelf (-C1) or one file drawer (-CH) with one file drawer (CH), or six box drawers (top two pencil trays) (CG) with two 15" file drawers (CF), or one file drawer (CH) with two doors (C2)*

<b>96G</b>	wenge recoGrain, quarter cut, low sheen <span style="border: 1px solid black; padding: 0 2px;">A</span>	-\$667
<b>98W</b>	recoGrain walnut, flat cut, low sheen <span style="border: 1px solid black; padding: 0 2px;">A</span>	-\$667
<b>99G</b>	recoGrain wenge, quarter cut, low sheen <span style="border: 1px solid black; padding: 0 2px;">A</span>	-\$667
<b>99K</b>	recoGrain oak, quarter cut, low sheen <span style="border: 1px solid black; padding: 0 2px;">A</span>	-\$667
<b>99W</b>	recoGrain walnut, quarter cut, low sheen <span style="border: 1px solid black; padding: 0 2px;">A</span>	-\$667

# H-Frame Credenza Four Units

Wide *continued*

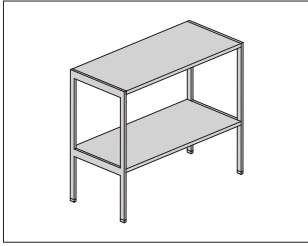
HermanMiller Collection—Storage

---

Step 8. Metal Finish		
<b>BNZ</b>	bronze <input type="checkbox"/>	+\$0
<b>CHR</b>	chrome <input type="checkbox"/>	+\$0
<b>SAC</b>	satin chrome <input type="checkbox"/>	+\$0

# H-Frame Credenza Stone Top

JCH1S  
JCH2S  
JCH3S  
JCH4S



### Product Information

#### Description

This one-unit wide H-frame credenza has a stone top and includes 1/2"-thick metal frame gables on the ends. H-frame credenzas are modular and shipped partially assembled.

#### Notes

All hardware for assembly is included.

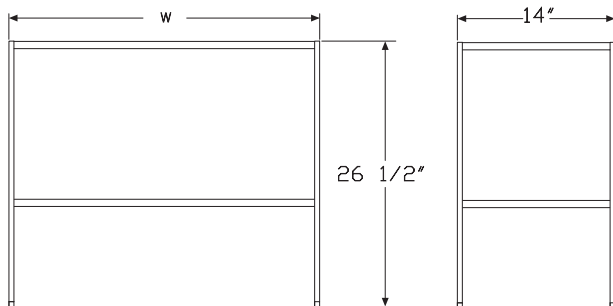
Drawer credenzas include wood boxes and self-closing hidden drawer slides.

CG six box drawer credenza includes pencil trays and felt lining in bottom of top two drawers.

When applicable, Ward Bennett Flip pulls come in matching metal finish.

Santos palisander veneer is celebrated for its unique grain and color variations. Similar products ordered in multiples or dissimilar products ordered separately should be expected to have variation in both grain and color characteristics; no two products will look exactly alike.

### Dimensions



### Specification Information

#### Step 1.

JCH

#### Step 2. Size and Configuration

1S-1431-C1 14" deep x 31" wide x 26 1/2" high, 1 unit, open

2S-1462-C1C1 14" deep x 61 1/2" wide x 26 1/2" high, 2 units, open

3S-1492-C1C1C1 14" deep x 92" wide x 26 1/2" high, 3 units, open

4S-14123-C1C1C1C1 14" deep x 122 1/2" wide x 26 1/2" high, 4 units, open

#### Prices for Steps 1-2.

JCH1S-1431-C1	\$3365
JCH2S-1462-C1C1	\$6131
JCH3S-1492-C1C1C1	\$8594
JCH4S-14123-C1C1C1C1	\$11268

#### Step 3. Stone or Marble Top

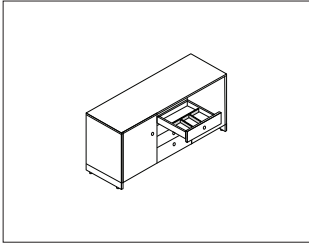
200	perfato marble <input type="checkbox"/>	+\$0
250	verde antique marble <input type="checkbox"/>	+\$0
400	black granite <input type="checkbox"/>	+\$0
5U	georgia grey marble <input type="checkbox"/>	+\$0
800	autumn brown granite <input type="checkbox"/>	+\$0
960	white carrara marble <input type="checkbox"/>	+\$0
HR	wisconsin black marble <input type="checkbox"/>	+\$0

#### Step 4. Metal Finish

BNZ	bronze <input type="checkbox"/>	+\$0
CHR	chrome <input type="checkbox"/>	+\$0
SAC	satin chrome <input type="checkbox"/>	+\$0

# Silverware Drawer Insert

JAH1-  
JAS1-



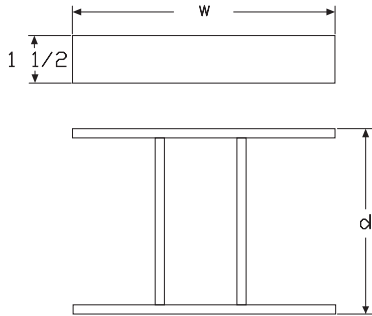
HermanMiller Collection—Storage

## Product Information

### Description

This drawer insert is for use with H-frame, sled, and mobile credenzas, in top box drawers. The bottom of top box drawer and silverware insert are covered with fabric.

### Dimensions



## Specification Information

### Step 1.

JA A

### Step 2. Configuration

**H1-712** for use with H-frame credenza A

**S1-1015** for use with sled base or mobile credenza A

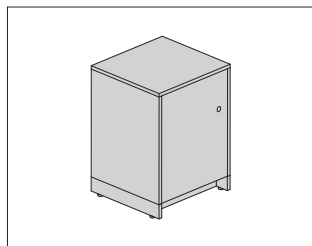
### Prices for Steps 1-2.

<b>JAH1-712</b>	\$362
<b>JAS1-1015</b>	\$362



# Sled Base Pedestal

JCS1-



### Product Information

#### Description

This one-unit wide sled base credenza has a wood top and includes 3"-high metal base on the 3/4"-thick credenza gable. Storage unit is 18"-wide. Ward Bennett Flip pulls come in matching metal finish.

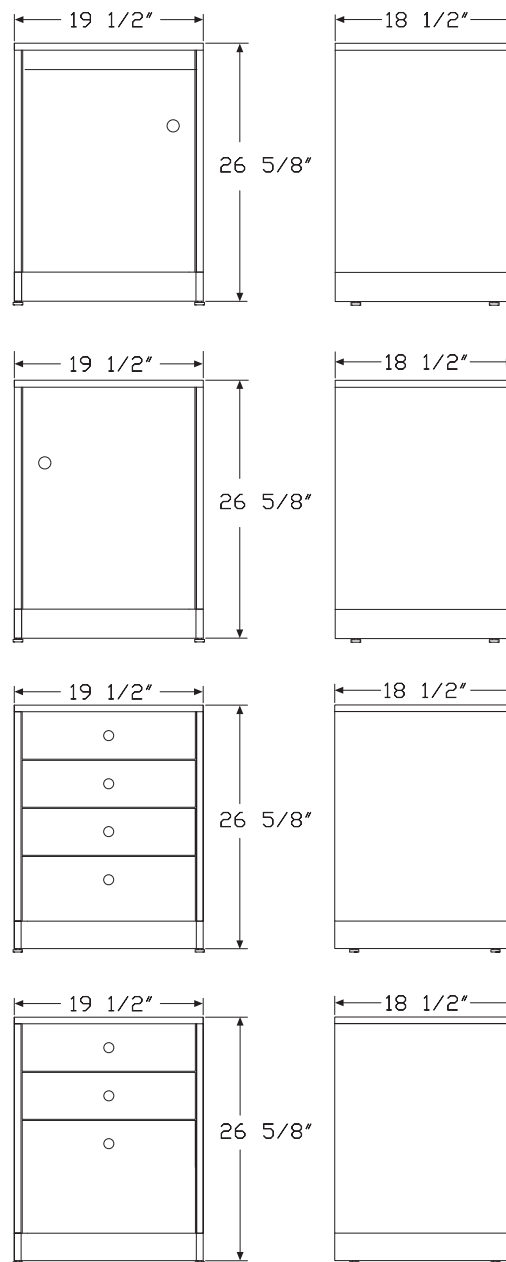
#### Notes

Sled base credenzas ship assembled.

Drawer credenzas include wood boxes and self-closing hidden drawer slides. Pencil tray and felt lining in bottom of drawer also included.

Santos palisander veneer is celebrated for its unique grain and color variations. Similar products ordered in multiples or dissimilar products ordered separately should be expected to have variation in both grain and color characteristics; no two products will look exactly alike.

### Dimensions



Sled Base Pedestal *continued*

**Specification Information**

Step 1.

**JCS1** A

Step 2. Size

**-1920** 18<sup>1</sup>/<sub>2</sub>" deep x 19<sup>1</sup>/<sub>2</sub>" wide x 26<sup>5</sup>/<sub>8</sub>" high A

Step 3. Configuration

**-B2L** single door, hinged left A

**-B2R** single door, hinged right A

**-B3** four box drawer A

**-B4** box, box, file A

Prices for Steps 1-3.

<b>JCS1-1920</b>	<b>-B2L</b>	\$3257
	<b>-B2R</b>	\$3257
	<b>-B3</b>	\$4272
	<b>-B4</b>	\$3883

Step 4. Wood Finish

Premium Veneer - Low Sheen

		-B2L	-B2R	-B3	-B4
<b>931</b>	champagne anigre (natural) <span style="border: 1px solid black; padding: 0 2px;">A</span>	+\$596	596	782	711
<b>932</b>	sundance anigre <span style="border: 1px solid black; padding: 0 2px;">A</span>	+\$596	596	782	711
<b>933</b>	caramel anigre <span style="border: 1px solid black; padding: 0 2px;">A</span>	+\$596	596	782	711
<b>934</b>	henna anigre <span style="border: 1px solid black; padding: 0 2px;">A</span>	+\$596	596	782	711
<b>941</b>	natural beech <span style="border: 1px solid black; padding: 0 2px;">A</span>	+\$0	0	0	0
<b>942</b>	sundance cherry (natural) <span style="border: 1px solid black; padding: 0 2px;">A</span>	+\$0	0	0	0
<b>943</b>	caramel cherry <span style="border: 1px solid black; padding: 0 2px;">A</span>	+\$0	0	0	0
<b>946</b>	cocoa cherry <span style="border: 1px solid black; padding: 0 2px;">A</span>	+\$0	0	0	0
<b>951</b>	natural anigre <span style="border: 1px solid black; padding: 0 2px;">A</span>	+\$1303	1303	1709	1554
<b>956</b>	cocoa sapele <span style="border: 1px solid black; padding: 0 2px;">A</span>	+\$0	0	0	0
<b>962</b>	toasted walnut, low sheen <span style="border: 1px solid black; padding: 0 2px;">A</span>	+\$0	0	0	0
<b>963</b>	charred walnut, low sheen <span style="border: 1px solid black; padding: 0 2px;">A</span>	+\$0	0	0	0
<b>964</b>	bronzed walnut, low sheen <span style="border: 1px solid black; padding: 0 2px;">A</span>	+\$0	0	0	0
<b>965</b>	smoked walnut, low sheen <span style="border: 1px solid black; padding: 0 2px;">A</span>	+\$0	0	0	0
<b>966</b>	coffee walnut, low sheen <span style="border: 1px solid black; padding: 0 2px;">A</span>	+\$0	0	0	0
<b>967</b>	smoked paldao, low sheen <span style="border: 1px solid black; padding: 0 2px;">A</span>	+\$489	489	641	583
<b>969</b>	warm paldao, low sheen <span style="border: 1px solid black; padding: 0 2px;">A</span>	+\$489	489	641	583
<b>977</b>	chocolate ash, low sheen <span style="border: 1px solid black; padding: 0 2px;">A</span>	+\$0	0	0	0
<b>978</b>	natural oak <span style="border: 1px solid black; padding: 0 2px;">A</span>	+\$0	0	0	0
<b>981</b>	champagne hickory (natural) <span style="border: 1px solid black; padding: 0 2px;">A</span>	+\$0	0	0	0
<b>98R</b>	recograin rosewood <span style="border: 1px solid black; padding: 0 2px;">A</span>	+\$0	0	0	0

<b>991</b>	champagne ash <span style="border: 1px solid black; padding: 0 2px;">A</span>	+\$0	0	0	0
<b>998</b>	ebony ash <span style="border: 1px solid black; padding: 0 2px;">A</span>	+\$0	0	0	0
<b>99A</b>	recograin frosty ash <span style="border: 1px solid black; padding: 0 2px;">A</span>	+\$0	0	0	0
<b>99R</b>	recograin rosewood <span style="border: 1px solid black; padding: 0 2px;">A</span>	+\$0	0	0	0
<b>99T</b>	recograin teak <span style="border: 1px solid black; padding: 0 2px;">A</span>	+\$0	0	0	0
<b>9A1</b>	white ash, quarter cut, low sheen <span style="border: 1px solid black; padding: 0 2px;">A</span>	+\$0	0	0	0
<b>9K1</b>	rift oak, rift cut, low sheen <span style="border: 1px solid black; padding: 0 2px;">A</span>	+\$0	0	0	0
<b>9K6</b>	burnt oak, rift cut, low sheen <span style="border: 1px solid black; padding: 0 2px;">A</span>	+\$0	0	0	0
<b>ED</b>	aged cherry <span style="border: 1px solid black; padding: 0 2px;">A</span>	+\$0	0	0	0
<b>EK</b>	medium red walnut <span style="border: 1px solid black; padding: 0 2px;">A</span>	+\$0	0	0	0
<b>G2U</b>	light brown walnut, low sheen <span style="border: 1px solid black; padding: 0 2px;">A</span>	+\$0	0	0	0
<b>G40</b>	dark brown walnut, low sheen <span style="border: 1px solid black; padding: 0 2px;">A</span>	+\$0	0	0	0
<b>UX</b>	walnut on cherry <span style="border: 1px solid black; padding: 0 2px;">A</span>	+\$0	0	0	0

Sled Base Pedestal *continued*

Premium Veneer - Matte		-B2L	-B2R	-B3	-B4
<b>662</b>	toasted walnut, matte sheen <a href="#">A</a>	+\$0	0	0	0
<b>663</b>	charred walnut, matte sheen <a href="#">A</a>	+\$0	0	0	0
<b>664</b>	bronzed walnut, matte sheen <a href="#">A</a>	+\$0	0	0	0
<b>665</b>	smoked walnut, matte sheen <a href="#">A</a>	+\$0	0	0	0
<b>666</b>	coffee walnut, matte sheen <a href="#">A</a>	+\$0	0	0	0
<b>667</b>	smoked paldao, quarter cut, matte sheen <a href="#">A</a>	+\$489	489	641	583
<b>669</b>	warm paldao, quarter cut, matte sheen <a href="#">A</a>	+\$489	489	641	583
<b>66A</b>	recograin frosty ash <a href="#">A</a>	+\$0	0	0	0
<b>677</b>	chocolate ash, matte sheen <a href="#">A</a>	+\$0	0	0	0
<b>678</b>	natural oak <a href="#">A</a>	+\$0	0	0	0
<b>68R</b>	recograin rosewood <a href="#">A</a>	+\$0	0	0	0
<b>69A</b>	recograin frosty ash <a href="#">A</a>	+\$0	0	0	0
<b>69R</b>	recograin rosewood <a href="#">A</a>	+\$0	0	0	0
<b>69T</b>	recograin teak <a href="#">A</a>	+\$0	0	0	0
<b>6A1</b>	white ash <a href="#">A</a>	+\$0	0	0	0
<b>6K1</b>	rift oak <a href="#">A</a>	+\$0	0	0	0
<b>6K6</b>	burnt oak <a href="#">A</a>	+\$0	0	0	0
<b>ET</b>	clear on ash <a href="#">A</a>	+\$0	0	0	0
<b>EU</b>	oak on ash <a href="#">A</a>	+\$0	0	0	0
<b>EV</b>	walnut on ash <a href="#">A</a>	+\$0	0	0	0
<b>GOU</b>	natural walnut, flat cut, matte sheen <a href="#">A</a>	+\$0	0	0	0

RecoGrain Veneer		-B2L	-B2R	-B3	-B4
<b>66G</b>	recograin wenge <a href="#">A</a>	-\$163	-163	-214	-195
<b>68W</b>	recograin walnut, flat cut, matte sheen <a href="#">A</a>	-\$163	-163	-214	-195
<b>69G</b>	recograin wenge <a href="#">A</a>	-\$163	-163	-214	-195
<b>69K</b>	recograin oak, quarter cut, matte sheen <a href="#">A</a>	-\$163	-163	-214	-195
<b>69W</b>	recograin walnut, quarter cut, matte sheen <a href="#">A</a>	-\$163	-163	-214	-195

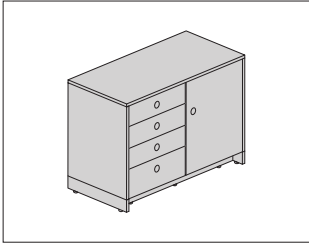
Recon Veneer -		-B2L	-B2R	-B3	-B4
<b>96G</b>	wenge recograin, quarter cut, low sheen <a href="#">A</a>	-\$163	-163	-214	-195
<b>98W</b>	recograin walnut, flat cut, low sheen <a href="#">A</a>	-\$163	-163	-214	-195
<b>99G</b>	recograin wenge, quarter cut, low sheen <a href="#">A</a>	-\$163	-163	-214	-195
<b>99K</b>	recograin oak, quarter cut, low sheen <a href="#">A</a>	-\$163	-163	-214	-195
<b>99W</b>	recograin walnut, quarter cut, low sheen <a href="#">A</a>	-\$163	-163	-214	-195

Step 5. Metal Finish					
<b>BNZ</b>	bronze <a href="#">A</a>				+\$0
<b>CHR</b>	chrome <a href="#">A</a>				+\$0
<b>SAC</b>	satin chrome <a href="#">A</a>				+\$0

HermanMiller Collection—Storage

Sled Base Credenza Two Units Wide

JCS2-Wide



HermanMiller Collection—Storage

**Product Information**

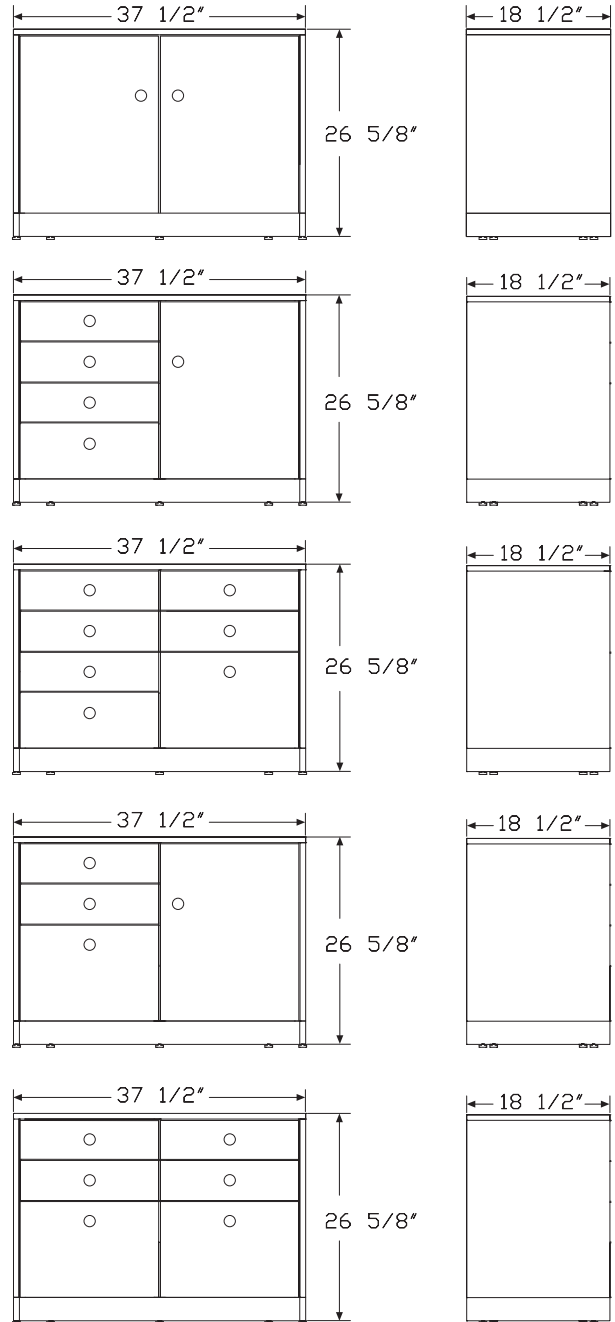
**Description**

This two-unit wide sled base credenza has a wood top and includes 3"-high metal base on the 3/4"-thick credenza gable. Storage unit is 18"-wide. Ward Bennett Flip pulls come in matching metal finish.

**Notes**

Sled base credenzas ship assembled.  
 Drawer credenzas include wood boxes and self-closing hidden drawer slides. Pencil tray and felt lining in bottom of drawer also included.  
 Santos palisander veneer is celebrated for its unique grain and color variations. Similar products ordered in multiples or dissimilar products ordered separately should be expected to have variation in both grain and color characteristics; no two products will look exactly alike.

**Dimensions**



# Sled Base Credenza Two Units

## Wide *continued*

### Specification Information

Step 1.

**JCS2** A

Step 2. Size

**-1938** 18<sup>1</sup>/<sub>2</sub>" deep x 37<sup>1</sup>/<sub>2</sub>" wide x 26<sup>5</sup>/<sub>8</sub>" high A

Step 3. Configuration

**-B2B2** two doors A

**-B3B2** four drawers left, single door right A

**-B3B4** four drawers left, BBF right A

**-B4B2** BBF left, single door right A

**-B4B4** BBF left, BBF right A

Prices for Steps 1-3.

<b>JCS2-1938</b>	<b>-B2B2</b>	\$5303
	<b>-B3B2</b>	\$6236
	<b>-B3B4</b>	\$6863
	<b>-B4B2</b>	\$5849
	<b>-B4B4</b>	\$6474

Step 4. Wood Finish

Premium Veneer - Low Sheen

		<b>-B2B2</b>	<b>-B3B2</b>	<b>-B3B4</b>	<b>-B4B2</b>	<b>-B4B4</b>
<b>931</b>	champagne anigre (natural) <span style="border: 1px solid black; padding: 0 2px;">A</span>	+\$956	1142	1256	1071	1185
<b>932</b>	sundance anigre <span style="border: 1px solid black; padding: 0 2px;">A</span>	+\$956	1142	1256	1071	1185
<b>933</b>	caramel anigre <span style="border: 1px solid black; padding: 0 2px;">A</span>	+\$956	1142	1256	1071	1185
<b>934</b>	henna anigre <span style="border: 1px solid black; padding: 0 2px;">A</span>	+\$956	1142	1256	1071	1185
<b>941</b>	natural beech <span style="border: 1px solid black; padding: 0 2px;">A</span>	+\$0	0	0	0	0
<b>942</b>	sundance cherry (natural) <span style="border: 1px solid black; padding: 0 2px;">A</span>	+\$0	0	0	0	0
<b>943</b>	caramel cherry <span style="border: 1px solid black; padding: 0 2px;">A</span>	+\$0	0	0	0	0
<b>946</b>	cocoa cherry <span style="border: 1px solid black; padding: 0 2px;">A</span>	+\$0	0	0	0	0
<b>951</b>	natural anigre <span style="border: 1px solid black; padding: 0 2px;">A</span>	+\$2089	2495	2746	2340	2590
<b>956</b>	cocoa sapele <span style="border: 1px solid black; padding: 0 2px;">A</span>	+\$0	0	0	0	0
<b>962</b>	toasted walnut, low sheen <span style="border: 1px solid black; padding: 0 2px;">A</span>	+\$0	0	0	0	0
<b>963</b>	charred walnut, low sheen <span style="border: 1px solid black; padding: 0 2px;">A</span>	+\$0	0	0	0	0
<b>964</b>	bronzed walnut, low sheen <span style="border: 1px solid black; padding: 0 2px;">A</span>	+\$0	0	0	0	0
<b>965</b>	smoked walnut, low sheen <span style="border: 1px solid black; padding: 0 2px;">A</span>	+\$0	0	0	0	0

<b>966</b>	coffee walnut, low sheen <span style="border: 1px solid black; padding: 0 2px;">A</span>	+\$0	0	0	0	0
<b>967</b>	smoked paldao, low sheen <span style="border: 1px solid black; padding: 0 2px;">A</span>	+\$784	936	1030	878	972
<b>969</b>	warm paldao, low sheen <span style="border: 1px solid black; padding: 0 2px;">A</span>	+\$784	936	1030	878	972
<b>977</b>	chocolate ash, low sheen <span style="border: 1px solid black; padding: 0 2px;">A</span>	+\$0	0	0	0	0
<b>978</b>	natural oak <span style="border: 1px solid black; padding: 0 2px;">A</span>	+\$0	0	0	0	0
<b>981</b>	champagne hickory (natural) <span style="border: 1px solid black; padding: 0 2px;">A</span>	+\$0	0	0	0	0
<b>98R</b>	recograin rosewood <span style="border: 1px solid black; padding: 0 2px;">A</span>	+\$0	0	0	0	0
<b>991</b>	champagne ash <span style="border: 1px solid black; padding: 0 2px;">A</span>	+\$0	0	0	0	0
<b>998</b>	ebony ash <span style="border: 1px solid black; padding: 0 2px;">A</span>	+\$0	0	0	0	0
<b>99A</b>	recograin frosty ash <span style="border: 1px solid black; padding: 0 2px;">A</span>	+\$0	0	0	0	0
<b>99R</b>	recograin rosewood <span style="border: 1px solid black; padding: 0 2px;">A</span>	+\$0	0	0	0	0
<b>99T</b>	recograin teak <span style="border: 1px solid black; padding: 0 2px;">A</span>	+\$0	0	0	0	0
<b>9A1</b>	white ash, quarter cut, low sheen <span style="border: 1px solid black; padding: 0 2px;">A</span>	+\$0	0	0	0	0
<b>9K1</b>	rift oak, rift cut, low sheen <span style="border: 1px solid black; padding: 0 2px;">A</span>	+\$0	0	0	0	0
<b>9K6</b>	burnt oak, rift cut, low sheen <span style="border: 1px solid black; padding: 0 2px;">A</span>	+\$0	0	0	0	0
<b>ED</b>	aged cherry <span style="border: 1px solid black; padding: 0 2px;">A</span>	+\$0	0	0	0	0
<b>EK</b>	medium red walnut <span style="border: 1px solid black; padding: 0 2px;">A</span>	+\$0	0	0	0	0
<b>G2U</b>	light brown walnut, low sheen <span style="border: 1px solid black; padding: 0 2px;">A</span>	+\$0	0	0	0	0
<b>G40</b>	dark brown walnut, low sheen <span style="border: 1px solid black; padding: 0 2px;">A</span>	+\$0	0	0	0	0
<b>UX</b>	walnut on cherry <span style="border: 1px solid black; padding: 0 2px;">A</span>	+\$0	0	0	0	0

# Sled Base Credenza Two Units

## Wide *continued*

Premium Veneer - Matte		-B2B2	-B3B2	-B3B4	-B4B2	-B4B4
<b>662</b>	toasted walnut, matte sheen <a href="#">A</a>	+\$0	0	0	0	0
<b>663</b>	charred walnut, matte sheen <a href="#">A</a>	+\$0	0	0	0	0
<b>664</b>	bronzed walnut, matte sheen <a href="#">A</a>	+\$0	0	0	0	0
<b>665</b>	smoked walnut, matte sheen <a href="#">A</a>	+\$0	0	0	0	0
<b>666</b>	coffee walnut, matte sheen <a href="#">A</a>	+\$0	0	0	0	0
<b>667</b>	smoked paldao, quarter cut, matte sheen <a href="#">A</a>	+\$784	936	1030	878	972
<b>669</b>	warm paldao, quarter cut, matte sheen <a href="#">A</a>	+\$784	936	1030	878	972
<b>66A</b>	recograin frosty ash <a href="#">A</a>	+\$0	0	0	0	0
<b>677</b>	chocolate ash, matte sheen <a href="#">A</a>	+\$0	0	0	0	0
<b>678</b>	natural oak <a href="#">A</a>	+\$0	0	0	0	0
<b>68R</b>	recograin rosewood <a href="#">A</a>	+\$0	0	0	0	0
<b>69A</b>	recograin frosty ash <a href="#">A</a>	+\$0	0	0	0	0
<b>69R</b>	recograin rosewood <a href="#">A</a>	+\$0	0	0	0	0
<b>69T</b>	recograin teak <a href="#">A</a>	+\$0	0	0	0	0
<b>6A1</b>	white ash <a href="#">A</a>	+\$0	0	0	0	0
<b>6K1</b>	rift oak <a href="#">A</a>	+\$0	0	0	0	0
<b>6K6</b>	burnt oak <a href="#">A</a>	+\$0	0	0	0	0
<b>ET</b>	clear on ash <a href="#">A</a>	+\$0	0	0	0	0
<b>EU</b>	oak on ash <a href="#">A</a>	+\$0	0	0	0	0
<b>EV</b>	walnut on ash <a href="#">A</a>	+\$0	0	0	0	0
<b>GOU</b>	natural walnut, flat cut, matte sheen <a href="#">A</a>	+\$0	0	0	0	0

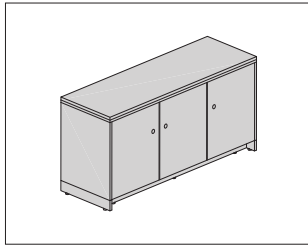
RecoGrain Veneer		-B2B2	-B3B2	-B3B4	-B4B2	-B4B4
<b>66G</b>	recograin wenge <a href="#">A</a>	-\$262	-312	-344	-293	-324
<b>68W</b>	recograin walnut, flat cut, matte sheen <a href="#">A</a>	-\$262	-312	-344	-293	-324
<b>69G</b>	recograin wenge <a href="#">A</a>	-\$262	-312	-344	-293	-324
<b>69K</b>	recograin oak, quarter cut, matte sheen <a href="#">A</a>	-\$262	-312	-344	-293	-324
<b>69W</b>	recograin walnut, quarter cut, matte sheen <a href="#">A</a>	-\$262	-312	-344	-293	-324

Recon Veneer -		-B2B2	-B3B2	-B3B4	-B4B2	-B4B4
<b>96G</b>	wenge recograin, quarter cut, low sheen <a href="#">A</a>	-\$262	-312	-344	-293	-324
<b>98W</b>	recograin walnut, flat cut, low sheen <a href="#">A</a>	-\$262	-312	-344	-293	-324
<b>99G</b>	recograin wenge, quarter cut, low sheen <a href="#">A</a>	-\$262	-312	-344	-293	-324
<b>99K</b>	recograin oak, quarter cut, low sheen <a href="#">A</a>	-\$262	-312	-344	-293	-324
<b>99W</b>	recograin walnut, quarter cut, low sheen <a href="#">A</a>	-\$262	-312	-344	-293	-324

Step 5. Metal Finish		
<b>BNZ</b>	bronze <a href="#">A</a>	+\$0
<b>CHR</b>	chrome <a href="#">A</a>	+\$0
<b>SAC</b>	satin chrome <a href="#">A</a>	+\$0

# Sled Base Credenza Three Units Wide

JCS3-



## Product Information

### Description

This three-unit wide sled base credenza has a wood top and includes 3"-high metal base on the 3/4"-thick credenza gable. Storage unit is 18"-wide. Ward Bennett Flip pulls come in matching metal finish.

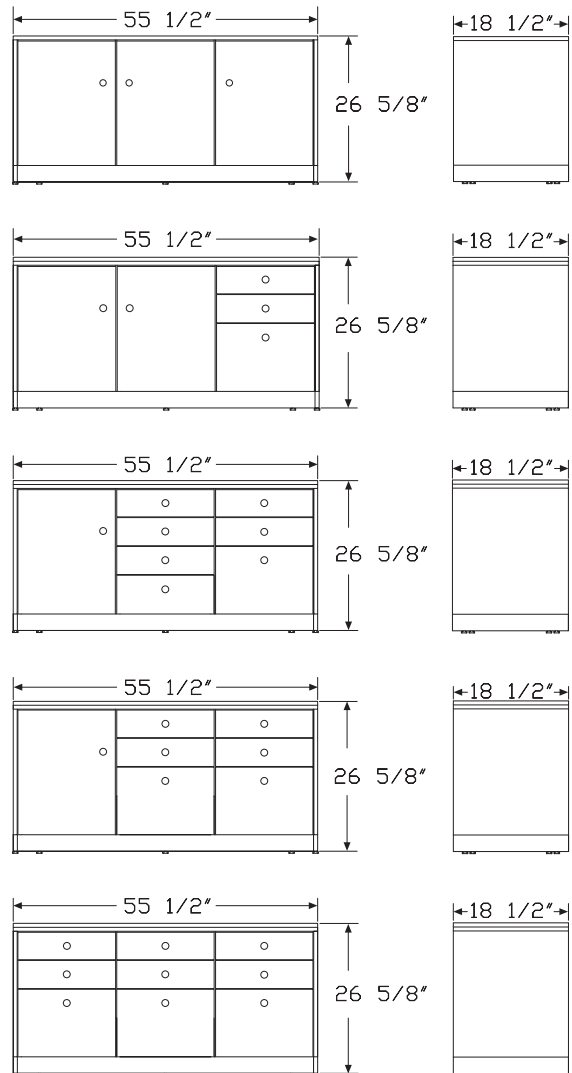
### Notes

Sled base credenzas ship assembled.

Drawer credenzas include wood boxes and self-closing hidden drawer slides. Pencil tray and felt lining in bottom of drawer also included.

Santos palisander veneer is celebrated for its unique grain and color variations. Similar products ordered in multiples or dissimilar products ordered separately should be expected to have variation in both grain and color characteristics; no two products will look exactly alike.

## Dimensions



# Sled Base Credenza Three Units

## Wide *continued*

Specification Information						
Step 1.						
<b>JCS3</b> <input type="checkbox"/>						
Step 2. Size						
<b>-1956</b> 18 <sup>1</sup> / <sub>2</sub> " deep x 55 <sup>1</sup> / <sub>2</sub> " wide x 26 <sup>5</sup> / <sub>8</sub> " high <input type="checkbox"/>						
Step 3. Configuration						
<b>-B2B2B2</b> three single doors <input type="checkbox"/>						
<b>-B2B2B4</b> single door left, single door center, BBF right <input type="checkbox"/>						
<b>-B2B3B4</b> single door left, 4 box center, BBF right <input type="checkbox"/>						
<b>-B2B4B4</b> single door left, BBF center, BBF right <input type="checkbox"/>						
<b>-B4B4B4</b> BBF left, BBF center, BBF right <input type="checkbox"/>						
Prices for Steps 1-3.						
<b>JCS3-1956</b>	<b>-B2B2B2</b>					\$7238
	<b>-B2B2B4</b>					\$7865
	<b>-B2B3B4</b>					\$8879
	<b>-B2B4B4</b>					\$8490
	<b>-B4B4B4</b>					\$9117
Step 4. Wood Finish						
Premium Veneer - Low Sheen						
		<b>-B2B2B2</b>	<b>-B2B2B4</b>	<b>-B2B3B4</b>	<b>-B2B4B4</b>	<b>-B4B4B4</b>
<b>931</b>	champagne anigre (natural) <input type="checkbox"/>	+\$1325	1440	1626	1554	1669
<b>932</b>	sundance anigre <input type="checkbox"/>	+\$1325	1440	1626	1554	1669
<b>933</b>	caramel anigre <input type="checkbox"/>	+\$1325	1440	1626	1554	1669
<b>934</b>	henna anigre <input type="checkbox"/>	+\$1325	1440	1626	1554	1669
<b>941</b>	natural beech <input type="checkbox"/>	+\$0	0	0	0	0
<b>942</b>	sundance cherry (natural) <input type="checkbox"/>	+\$0	0	0	0	0
<b>943</b>	caramel cherry <input type="checkbox"/>	+\$0	0	0	0	0
<b>946</b>	cocoa cherry <input type="checkbox"/>	+\$0	0	0	0	0
<b>951</b>	natural anigre <input type="checkbox"/>	+\$2896	3147	3552	3397	3647
<b>956</b>	cocoa sapele <input type="checkbox"/>	+\$0	0	0	0	0
<b>962</b>	toasted walnut, low sheen <input type="checkbox"/>	+\$0	0	0	0	0
<b>963</b>	charred walnut, low sheen <input type="checkbox"/>	+\$0	0	0	0	0
<b>964</b>	bronzed walnut, low sheen <input type="checkbox"/>	+\$0	0	0	0	0
<b>965</b>	smoked walnut, low sheen <input type="checkbox"/>	+\$0	0	0	0	0

<b>966</b>	coffee walnut, low sheen <input type="checkbox"/>	+\$0	0	0	0	0
<b>967</b>	smoked paldao, low sheen <input type="checkbox"/>	+\$1086	1180	1332	1274	1368
<b>969</b>	warm paldao, low sheen <input type="checkbox"/>	+\$1086	1180	1332	1274	1368
<b>977</b>	chocolate ash, low sheen <input type="checkbox"/>	+\$0	0	0	0	0
<b>978</b>	natural oak <input type="checkbox"/>	+\$0	0	0	0	0
<b>981</b>	champagne hickory (natural) <input type="checkbox"/>	+\$0	0	0	0	0
<b>98R</b>	recograin rosewood <input type="checkbox"/>	+\$0	0	0	0	0
<b>991</b>	champagne ash <input type="checkbox"/>	+\$0	0	0	0	0
<b>998</b>	ebony ash <input type="checkbox"/>	+\$0	0	0	0	0
<b>99A</b>	recograin frosty ash <input type="checkbox"/>	+\$0	0	0	0	0
<b>99R</b>	recograin rosewood <input type="checkbox"/>	+\$0	0	0	0	0
<b>99T</b>	recograin teak <input type="checkbox"/>	+\$0	0	0	0	0
<b>9A1</b>	white ash, quarter cut, low sheen <input type="checkbox"/>	+\$0	0	0	0	0
<b>9K1</b>	rift oak, rift cut, low sheen <input type="checkbox"/>	+\$0	0	0	0	0
<b>9K6</b>	burnt oak, rift cut, low sheen <input type="checkbox"/>	+\$0	0	0	0	0
<b>ED</b>	aged cherry <input type="checkbox"/>	+\$0	0	0	0	0
<b>EK</b>	medium red walnut <input type="checkbox"/>	+\$0	0	0	0	0
<b>G2U</b>	light brown walnut, low sheen <input type="checkbox"/>	+\$0	0	0	0	0
<b>G40</b>	dark brown walnut, low sheen <input type="checkbox"/>	+\$0	0	0	0	0
<b>UX</b>	walnut on cherry <input type="checkbox"/>	+\$0	0	0	0	0



# Sled Base Credenza Three Units

## Wide *continued*

Premium Veneer - Matte		-B2B2B2	-B2B2B4	-B2B3B4	-B2B4B4	-B4B4B4
<b>662</b>	toasted walnut, matte sheen <a href="#">A</a>	+\$0	0	0	0	0
<b>663</b>	charred walnut, matte sheen <a href="#">A</a>	+\$0	0	0	0	0
<b>664</b>	bronzed walnut, matte sheen <a href="#">A</a>	+\$0	0	0	0	0
<b>665</b>	smoked walnut, matte sheen <a href="#">A</a>	+\$0	0	0	0	0
<b>666</b>	coffee walnut, matte sheen <a href="#">A</a>	+\$0	0	0	0	0
<b>667</b>	smoked paldao, quarter cut, matte sheen <a href="#">A</a>	+\$1086	1180	1332	1274	1368
<b>669</b>	warm paldao, quarter cut, matte sheen <a href="#">A</a>	+\$1086	1180	1332	1274	1368
<b>66A</b>	recograin frosty ash <a href="#">A</a>	+\$0	0	0	0	0
<b>677</b>	chocolate ash, matte sheen <a href="#">A</a>	+\$0	0	0	0	0
<b>678</b>	natural oak <a href="#">A</a>	+\$0	0	0	0	0
<b>68R</b>	recograin rosewood <a href="#">A</a>	+\$0	0	0	0	0
<b>69A</b>	recograin frosty ash <a href="#">A</a>	+\$0	0	0	0	0
<b>69R</b>	recograin rosewood <a href="#">A</a>	+\$0	0	0	0	0
<b>69T</b>	recograin teak <a href="#">A</a>	+\$0	0	0	0	0
<b>6A1</b>	white ash <a href="#">A</a>	+\$0	0	0	0	0
<b>6K1</b>	rift oak <a href="#">A</a>	+\$0	0	0	0	0
<b>6K6</b>	burnt oak <a href="#">A</a>	+\$0	0	0	0	0
<b>ET</b>	clear on ash <a href="#">A</a>	+\$0	0	0	0	0
<b>EU</b>	oak on ash <a href="#">A</a>	+\$0	0	0	0	0
<b>EV</b>	walnut on ash <a href="#">A</a>	+\$0	0	0	0	0
<b>GOU</b>	natural walnut, flat cut, matte sheen <a href="#">A</a>	+\$0	0	0	0	0

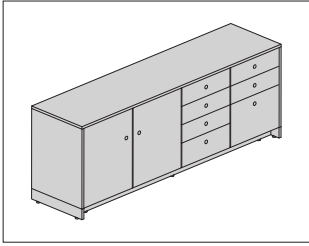
RecoGrain Veneer		-B2B2B2	-B2B2B4	-B2B3B4	-B2B4B4	-B4B4B4
<b>66G</b>	recograin wenge <a href="#">A</a>	-\$362	-394	-444	-425	-456
<b>68W</b>	recograin walnut, flat cut, matte sheen <a href="#">A</a>	-\$362	-394	-444	-425	-456
<b>69G</b>	recograin wenge <a href="#">A</a>	-\$362	-394	-444	-425	-456
<b>69K</b>	recograin oak, quarter cut, matte sheen <a href="#">A</a>	-\$362	-394	-444	-425	-456
<b>69W</b>	recograin walnut, quarter cut, matte sheen <a href="#">A</a>	-\$362	-394	-444	-425	-456

Recon Veneer -		-B2B2B2	-B2B2B4	-B2B3B4	-B2B4B4	-B4B4B4
<b>96G</b>	wenge recograin, quarter cut, low sheen <a href="#">A</a>	-\$362	-394	-444	-425	-456
<b>98W</b>	recograin walnut, flat cut, low sheen <a href="#">A</a>	-\$362	-394	-444	-425	-456
<b>99G</b>	recograin wenge, quarter cut, low sheen <a href="#">A</a>	-\$362	-394	-444	-425	-456
<b>99K</b>	recograin oak, quarter cut, low sheen <a href="#">A</a>	-\$362	-394	-444	-425	-456
<b>99W</b>	recograin walnut, quarter cut, low sheen <a href="#">A</a>	-\$362	-394	-444	-425	-456

Step 5. Metal Finish		
<b>BNZ</b>	bronze <a href="#">A</a>	+\$0
<b>CHR</b>	chrome <a href="#">A</a>	+\$0
<b>SAC</b>	satin chrome <a href="#">A</a>	+\$0

Sled Base Credenza Four Units  
Wide

JCS4-



HermanMiller Collection—Storage

**Product Information**

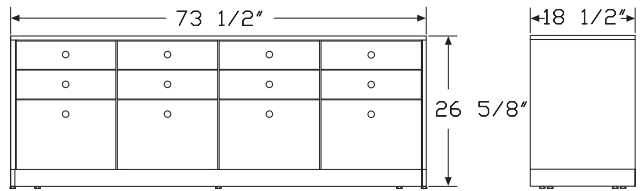
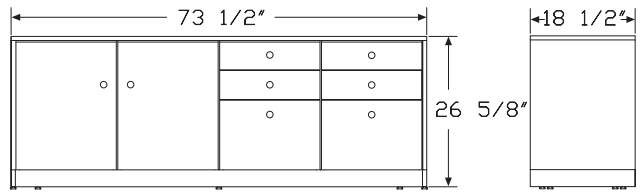
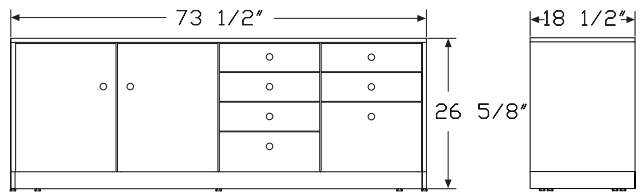
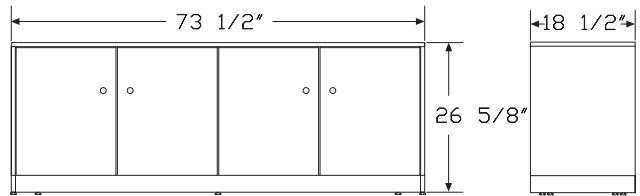
**Description**

This four-unit wide sled base credenza has a wood top and includes 3"-high metal base on the 3/4"-thick credenza gable. Storage unit is 18"-wide. Ward Bennett Flip pulls come in matching metal finish.

**Notes**

Sled base credenzas ship assembled.  
 Drawer credenzas include wood boxes and self-closing hidden drawer slides. Pencil tray and felt lining in bottom of drawer also included.  
 Santos palisander veneer is celebrated for its unique grain and color variations. Similar products ordered in multiples or dissimilar products ordered separately should be expected to have variation in both grain and color characteristics; no two products will look exactly alike.

**Dimensions**



# Sled Base Credenza Four Units

## Wide *continued*

### Specification Information

Step 1.

**JCS4** A

Step 2. Size

**-1974** 18<sup>1</sup>/<sub>2</sub>" deep x 73<sup>1</sup>/<sub>2</sub>" wide x 26<sup>5</sup>/<sub>8</sub>" high A

Step 3. Configuration

**-B2B2B2B2** four single doors A

**-B2B2B3B4** single door left, single door left center, four drawers right center, BBF right A

**-B2B2B4B4** single door left, single door left center, BBF right center, BBF right A

**-B4B4B4B4** four BBF A

Prices for Steps 1-3.

<b>JCS4-1974</b>	<b>-B2B2B2B2</b>	\$9242
	<b>-B2B2B3B4</b>	\$10882
	<b>-B2B2B4B4</b>	\$10495
	<b>-B4B4B4B4</b>	\$11747

### Step 4. Wood Finish

Premium Veneer - Low Sheen

*For four single doors (-B2B2B2B2)*

<b>931</b>	champagne anigre (natural) <span style="border: 1px solid black; padding: 0 2px;">A</span>	+\$1692
<b>932</b>	sundance anigre <span style="border: 1px solid black; padding: 0 2px;">A</span>	+\$1692
<b>933</b>	caramel anigre <span style="border: 1px solid black; padding: 0 2px;">A</span>	+\$1692
<b>934</b>	henna anigre <span style="border: 1px solid black; padding: 0 2px;">A</span>	+\$1692
<b>941</b>	natural beech <span style="border: 1px solid black; padding: 0 2px;">A</span>	+\$0
<b>942</b>	sundance cherry (natural) <span style="border: 1px solid black; padding: 0 2px;">A</span>	+\$0
<b>943</b>	caramel cherry <span style="border: 1px solid black; padding: 0 2px;">A</span>	+\$0
<b>946</b>	cocoa cherry <span style="border: 1px solid black; padding: 0 2px;">A</span>	+\$0
<b>951</b>	natural anigre <span style="border: 1px solid black; padding: 0 2px;">A</span>	+\$3698
<b>956</b>	cocoa sapele <span style="border: 1px solid black; padding: 0 2px;">A</span>	+\$0
<b>962</b>	toasted walnut, low sheen <span style="border: 1px solid black; padding: 0 2px;">A</span>	+\$0
<b>963</b>	charred walnut, low sheen <span style="border: 1px solid black; padding: 0 2px;">A</span>	+\$0
<b>964</b>	bronzed walnut, low sheen <span style="border: 1px solid black; padding: 0 2px;">A</span>	+\$0
<b>965</b>	smoked walnut, low sheen <span style="border: 1px solid black; padding: 0 2px;">A</span>	+\$0
<b>966</b>	coffee walnut, low sheen <span style="border: 1px solid black; padding: 0 2px;">A</span>	+\$0
<b>967</b>	smoked paldao, low sheen <span style="border: 1px solid black; padding: 0 2px;">A</span>	+\$1387
<b>969</b>	warm paldao, low sheen <span style="border: 1px solid black; padding: 0 2px;">A</span>	+\$1387
<b>977</b>	chocolate ash, low sheen <span style="border: 1px solid black; padding: 0 2px;">A</span>	+\$0
<b>978</b>	natural oak <span style="border: 1px solid black; padding: 0 2px;">A</span>	+\$0
<b>981</b>	champagne hickory (natural) <span style="border: 1px solid black; padding: 0 2px;">A</span>	+\$0
<b>98R</b>	recograin rosewood <span style="border: 1px solid black; padding: 0 2px;">A</span>	+\$0
<b>991</b>	champagne ash <span style="border: 1px solid black; padding: 0 2px;">A</span>	+\$0
<b>998</b>	ebony ash <span style="border: 1px solid black; padding: 0 2px;">A</span>	+\$0
<b>99A</b>	recograin frosty ash <span style="border: 1px solid black; padding: 0 2px;">A</span>	+\$0
<b>99R</b>	recograin rosewood <span style="border: 1px solid black; padding: 0 2px;">A</span>	+\$0
<b>99T</b>	recograin teak <span style="border: 1px solid black; padding: 0 2px;">A</span>	+\$0
<b>9A1</b>	white ash, quarter cut, low sheen <span style="border: 1px solid black; padding: 0 2px;">A</span>	+\$0
<b>9K1</b>	rift oak, rift cut, low sheen <span style="border: 1px solid black; padding: 0 2px;">A</span>	+\$0
<b>9K6</b>	burnt oak, rift cut, low sheen <span style="border: 1px solid black; padding: 0 2px;">A</span>	+\$0
<b>ED</b>	aged cherry <span style="border: 1px solid black; padding: 0 2px;">A</span>	+\$0
<b>EK</b>	medium red walnut <span style="border: 1px solid black; padding: 0 2px;">A</span>	+\$0
<b>G2U</b>	light brown walnut, low sheen <span style="border: 1px solid black; padding: 0 2px;">A</span>	+\$0
<b>G40</b>	dark brown walnut, low sheen <span style="border: 1px solid black; padding: 0 2px;">A</span>	+\$0
<b>UX</b>	walnut on cherry <span style="border: 1px solid black; padding: 0 2px;">A</span>	+\$0

# Sled Base Credenza Four Units

## Wide *continued*

### Premium Veneer - Matte

*For four single doors (-B2B2B2B2)*

<b>662</b>	toasted walnut, matte sheen <span style="border: 1px solid black; padding: 0 2px;">A</span>	+\$0
<b>663</b>	charred walnut, matte sheen <span style="border: 1px solid black; padding: 0 2px;">A</span>	+\$0
<b>664</b>	bronzed walnut, matte sheen <span style="border: 1px solid black; padding: 0 2px;">A</span>	+\$0
<b>665</b>	smoked walnut, matte sheen <span style="border: 1px solid black; padding: 0 2px;">A</span>	+\$0
<b>666</b>	coffee walnut, matte sheen <span style="border: 1px solid black; padding: 0 2px;">A</span>	+\$0
<b>667</b>	smoked paldao, quarter cut, matte sheen <span style="border: 1px solid black; padding: 0 2px;">A</span>	+\$1387
<b>669</b>	warm paldao, quarter cut, matte sheen <span style="border: 1px solid black; padding: 0 2px;">A</span>	+\$1387
<b>66A</b>	recograin frosty ash <span style="border: 1px solid black; padding: 0 2px;">A</span>	+\$0
<b>677</b>	chocolate ash, matte sheen <span style="border: 1px solid black; padding: 0 2px;">A</span>	+\$0
<b>678</b>	natural oak <span style="border: 1px solid black; padding: 0 2px;">A</span>	+\$0
<b>68R</b>	recograin rosewood <span style="border: 1px solid black; padding: 0 2px;">A</span>	+\$0
<b>69A</b>	recograin frosty ash <span style="border: 1px solid black; padding: 0 2px;">A</span>	+\$0
<b>69R</b>	recograin rosewood <span style="border: 1px solid black; padding: 0 2px;">A</span>	+\$0
<b>69T</b>	recograin teak <span style="border: 1px solid black; padding: 0 2px;">A</span>	+\$0
<b>6A1</b>	white ash <span style="border: 1px solid black; padding: 0 2px;">A</span>	+\$0
<b>6K1</b>	rift oak <span style="border: 1px solid black; padding: 0 2px;">A</span>	+\$0
<b>6K6</b>	burnt oak <span style="border: 1px solid black; padding: 0 2px;">A</span>	+\$0
<b>ET</b>	clear on ash <span style="border: 1px solid black; padding: 0 2px;">A</span>	+\$0
<b>EU</b>	oak on ash <span style="border: 1px solid black; padding: 0 2px;">A</span>	+\$0
<b>EV</b>	walnut on ash <span style="border: 1px solid black; padding: 0 2px;">A</span>	+\$0
<b>GOU</b>	natural walnut, flat cut, matte sheen <span style="border: 1px solid black; padding: 0 2px;">A</span>	+\$0

### RecoGrain Veneer

*For four single doors (-B2B2B2B2)*

<b>66G</b>	recograin wenge <span style="border: 1px solid black; padding: 0 2px;">A</span>	-\$463
<b>68W</b>	recograin walnut, flat cut, matte sheen <span style="border: 1px solid black; padding: 0 2px;">A</span>	-\$463
<b>69G</b>	recograin wenge <span style="border: 1px solid black; padding: 0 2px;">A</span>	-\$463
<b>69K</b>	recograin oak, quarter cut, matte sheen <span style="border: 1px solid black; padding: 0 2px;">A</span>	-\$463
<b>69W</b>	recograin walnut, quarter cut, matte sheen <span style="border: 1px solid black; padding: 0 2px;">A</span>	-\$463

### Recon Veneer -

*For four single doors (-B2B2B2B2)*

<b>96G</b>	wenge recograin, quarter cut, low sheen <span style="border: 1px solid black; padding: 0 2px;">A</span>	-\$463
<b>98W</b>	recograin walnut, flat cut, low sheen <span style="border: 1px solid black; padding: 0 2px;">A</span>	-\$463
<b>99G</b>	recograin wenge, quarter cut, low sheen <span style="border: 1px solid black; padding: 0 2px;">A</span>	-\$463
<b>99K</b>	recograin oak, quarter cut, low sheen <span style="border: 1px solid black; padding: 0 2px;">A</span>	-\$463
<b>99W</b>	recograin walnut, quarter cut, low sheen <span style="border: 1px solid black; padding: 0 2px;">A</span>	-\$463

### Premium Veneer - Low Sheen

*For single door left, single door left center, four drawers right center, BBF right (-B2B2B3B4)*

<b>931</b>	champagne anigre (natural) <span style="border: 1px solid black; padding: 0 2px;">A</span>	+\$1992
<b>932</b>	sundance anigre <span style="border: 1px solid black; padding: 0 2px;">A</span>	+\$1992
<b>933</b>	caramel anigre <span style="border: 1px solid black; padding: 0 2px;">A</span>	+\$1992
<b>934</b>	henna anigre <span style="border: 1px solid black; padding: 0 2px;">A</span>	+\$1992
<b>941</b>	natural beech <span style="border: 1px solid black; padding: 0 2px;">A</span>	+\$0
<b>942</b>	sundance cherry (natural) <span style="border: 1px solid black; padding: 0 2px;">A</span>	+\$0
<b>943</b>	caramel cherry <span style="border: 1px solid black; padding: 0 2px;">A</span>	+\$0
<b>946</b>	cocoa cherry <span style="border: 1px solid black; padding: 0 2px;">A</span>	+\$0
<b>951</b>	natural anigre <span style="border: 1px solid black; padding: 0 2px;">A</span>	+\$4354
<b>956</b>	cocoa sapele <span style="border: 1px solid black; padding: 0 2px;">A</span>	+\$0
<b>962</b>	toasted walnut, low sheen <span style="border: 1px solid black; padding: 0 2px;">A</span>	+\$0
<b>963</b>	charred walnut, low sheen <span style="border: 1px solid black; padding: 0 2px;">A</span>	+\$0
<b>964</b>	bronzed walnut, low sheen <span style="border: 1px solid black; padding: 0 2px;">A</span>	+\$0
<b>965</b>	smoked walnut, low sheen <span style="border: 1px solid black; padding: 0 2px;">A</span>	+\$0
<b>966</b>	coffee walnut, low sheen <span style="border: 1px solid black; padding: 0 2px;">A</span>	+\$0
<b>967</b>	smoked paldao, low sheen <span style="border: 1px solid black; padding: 0 2px;">A</span>	+\$1633
<b>969</b>	warm paldao, low sheen <span style="border: 1px solid black; padding: 0 2px;">A</span>	+\$1633
<b>977</b>	chocolate ash, low sheen <span style="border: 1px solid black; padding: 0 2px;">A</span>	+\$0
<b>978</b>	natural oak <span style="border: 1px solid black; padding: 0 2px;">A</span>	+\$0
<b>981</b>	champagne hickory (natural) <span style="border: 1px solid black; padding: 0 2px;">A</span>	+\$0
<b>98R</b>	recograin rosewood <span style="border: 1px solid black; padding: 0 2px;">A</span>	+\$0
<b>991</b>	champagne ash <span style="border: 1px solid black; padding: 0 2px;">A</span>	+\$0
<b>998</b>	ebony ash <span style="border: 1px solid black; padding: 0 2px;">A</span>	+\$0
<b>99A</b>	recograin frosty ash <span style="border: 1px solid black; padding: 0 2px;">A</span>	+\$0
<b>99R</b>	recograin rosewood <span style="border: 1px solid black; padding: 0 2px;">A</span>	+\$0
<b>99T</b>	recograin teak <span style="border: 1px solid black; padding: 0 2px;">A</span>	+\$0
<b>9A1</b>	white ash, quarter cut, low sheen <span style="border: 1px solid black; padding: 0 2px;">A</span>	+\$0
<b>9K1</b>	rift oak, rift cut, low sheen <span style="border: 1px solid black; padding: 0 2px;">A</span>	+\$0
<b>9K6</b>	burnt oak, rift cut, low sheen <span style="border: 1px solid black; padding: 0 2px;">A</span>	+\$0
<b>ED</b>	aged cherry <span style="border: 1px solid black; padding: 0 2px;">A</span>	+\$0
<b>EK</b>	medium red walnut <span style="border: 1px solid black; padding: 0 2px;">A</span>	+\$0
<b>G2U</b>	light brown walnut, low sheen <span style="border: 1px solid black; padding: 0 2px;">A</span>	+\$0
<b>G40</b>	dark brown walnut, low sheen <span style="border: 1px solid black; padding: 0 2px;">A</span>	+\$0
<b>UX</b>	walnut on cherry <span style="border: 1px solid black; padding: 0 2px;">A</span>	+\$0

# Sled Base Credenza Four Units

## Wide *continued*

### Premium Veneer - Matte

*For single door left, single door left center, four drawers right center, BBF right (-B2B2B3B4)*

<b>662</b>	toasted walnut, matte sheen <span style="border: 1px solid black; padding: 0 2px;">A</span>	+\$0
<b>663</b>	charred walnut, matte sheen <span style="border: 1px solid black; padding: 0 2px;">A</span>	+\$0
<b>664</b>	bronzed walnut, matte sheen <span style="border: 1px solid black; padding: 0 2px;">A</span>	+\$0
<b>665</b>	smoked walnut, matte sheen <span style="border: 1px solid black; padding: 0 2px;">A</span>	+\$0
<b>666</b>	coffee walnut, matte sheen <span style="border: 1px solid black; padding: 0 2px;">A</span>	+\$0
<b>667</b>	smoked paldao, quarter cut, matte sheen <span style="border: 1px solid black; padding: 0 2px;">A</span>	+\$1633
<b>669</b>	warm paldao, quarter cut, matte sheen <span style="border: 1px solid black; padding: 0 2px;">A</span>	+\$1633
<b>66A</b>	recograin frosty ash <span style="border: 1px solid black; padding: 0 2px;">A</span>	+\$0
<b>677</b>	chocolate ash, matte sheen <span style="border: 1px solid black; padding: 0 2px;">A</span>	+\$0
<b>678</b>	natural oak <span style="border: 1px solid black; padding: 0 2px;">A</span>	+\$0
<b>68R</b>	recograin rosewood <span style="border: 1px solid black; padding: 0 2px;">A</span>	+\$0
<b>69A</b>	recograin frosty ash <span style="border: 1px solid black; padding: 0 2px;">A</span>	+\$0
<b>69R</b>	recograin rosewood <span style="border: 1px solid black; padding: 0 2px;">A</span>	+\$0
<b>69T</b>	recograin teak <span style="border: 1px solid black; padding: 0 2px;">A</span>	+\$0
<b>6A1</b>	white ash <span style="border: 1px solid black; padding: 0 2px;">A</span>	+\$0
<b>6K1</b>	rift oak <span style="border: 1px solid black; padding: 0 2px;">A</span>	+\$0
<b>6K6</b>	burnt oak <span style="border: 1px solid black; padding: 0 2px;">A</span>	+\$0
<b>ET</b>	clear on ash <span style="border: 1px solid black; padding: 0 2px;">A</span>	+\$0
<b>EU</b>	oak on ash <span style="border: 1px solid black; padding: 0 2px;">A</span>	+\$0
<b>EV</b>	walnut on ash <span style="border: 1px solid black; padding: 0 2px;">A</span>	+\$0
<b>GOU</b>	natural walnut, flat cut, matte sheen <span style="border: 1px solid black; padding: 0 2px;">A</span>	+\$0

### RecoGrain Veneer

*For single door left, single door left center, four drawers right center, BBF right (-B2B2B3B4)*

<b>66G</b>	recograin wenge <span style="border: 1px solid black; padding: 0 2px;">A</span>	-\$545
<b>68W</b>	recograin walnut, flat cut, matte sheen <span style="border: 1px solid black; padding: 0 2px;">A</span>	-\$545
<b>69G</b>	recograin wenge <span style="border: 1px solid black; padding: 0 2px;">A</span>	-\$545
<b>69K</b>	recograin oak, quarter cut, matte sheen <span style="border: 1px solid black; padding: 0 2px;">A</span>	-\$545
<b>69W</b>	recograin walnut, quarter cut, matte sheen <span style="border: 1px solid black; padding: 0 2px;">A</span>	-\$545

### Recon Veneer -

*For single door left, single door left center, four drawers right center, BBF right (-B2B2B3B4)*

<b>96G</b>	wenge recograin, quarter cut, low sheen <span style="border: 1px solid black; padding: 0 2px;">A</span>	-\$545
<b>98W</b>	recograin walnut, flat cut, low sheen <span style="border: 1px solid black; padding: 0 2px;">A</span>	-\$545
<b>99G</b>	recograin wenge, quarter cut, low sheen <span style="border: 1px solid black; padding: 0 2px;">A</span>	-\$545
<b>99K</b>	recograin oak, quarter cut, low sheen <span style="border: 1px solid black; padding: 0 2px;">A</span>	-\$545
<b>99W</b>	recograin walnut, quarter cut, low sheen <span style="border: 1px solid black; padding: 0 2px;">A</span>	-\$545

### Premium Veneer - Low Sheen

*For single door left, single door left center, BBF right center, BBF right (-B2B2B4B4)*

<b>931</b>	champagne anigre (natural) <span style="border: 1px solid black; padding: 0 2px;">A</span>	+\$1921
<b>932</b>	sundance anigre <span style="border: 1px solid black; padding: 0 2px;">A</span>	+\$1921
<b>933</b>	caramel anigre <span style="border: 1px solid black; padding: 0 2px;">A</span>	+\$1921
<b>934</b>	henna anigre <span style="border: 1px solid black; padding: 0 2px;">A</span>	+\$1921
<b>941</b>	natural beech <span style="border: 1px solid black; padding: 0 2px;">A</span>	+\$0
<b>942</b>	sundance cherry (natural) <span style="border: 1px solid black; padding: 0 2px;">A</span>	+\$0
<b>943</b>	caramel cherry <span style="border: 1px solid black; padding: 0 2px;">A</span>	+\$0
<b>946</b>	cocoa cherry <span style="border: 1px solid black; padding: 0 2px;">A</span>	+\$0
<b>951</b>	natural anigre <span style="border: 1px solid black; padding: 0 2px;">A</span>	+\$4198
<b>956</b>	cocoa sapele <span style="border: 1px solid black; padding: 0 2px;">A</span>	+\$0
<b>962</b>	toasted walnut, low sheen <span style="border: 1px solid black; padding: 0 2px;">A</span>	+\$0
<b>963</b>	charred walnut, low sheen <span style="border: 1px solid black; padding: 0 2px;">A</span>	+\$0
<b>964</b>	bronzed walnut, low sheen <span style="border: 1px solid black; padding: 0 2px;">A</span>	+\$0
<b>965</b>	smoked walnut, low sheen <span style="border: 1px solid black; padding: 0 2px;">A</span>	+\$0
<b>966</b>	coffee walnut, low sheen <span style="border: 1px solid black; padding: 0 2px;">A</span>	+\$0
<b>967</b>	smoked paldao, low sheen <span style="border: 1px solid black; padding: 0 2px;">A</span>	+\$1575
<b>969</b>	warm paldao, low sheen <span style="border: 1px solid black; padding: 0 2px;">A</span>	+\$1575
<b>977</b>	chocolate ash, low sheen <span style="border: 1px solid black; padding: 0 2px;">A</span>	+\$0
<b>978</b>	natural oak <span style="border: 1px solid black; padding: 0 2px;">A</span>	+\$0
<b>981</b>	champagne hickory (natural) <span style="border: 1px solid black; padding: 0 2px;">A</span>	+\$0
<b>98R</b>	recograin rosewood <span style="border: 1px solid black; padding: 0 2px;">A</span>	+\$0
<b>991</b>	champagne ash <span style="border: 1px solid black; padding: 0 2px;">A</span>	+\$0
<b>998</b>	ebony ash <span style="border: 1px solid black; padding: 0 2px;">A</span>	+\$0
<b>99A</b>	recograin frosty ash <span style="border: 1px solid black; padding: 0 2px;">A</span>	+\$0
<b>99R</b>	recograin rosewood <span style="border: 1px solid black; padding: 0 2px;">A</span>	+\$0
<b>99T</b>	recograin teak <span style="border: 1px solid black; padding: 0 2px;">A</span>	+\$0
<b>9A1</b>	white ash, quarter cut, low sheen <span style="border: 1px solid black; padding: 0 2px;">A</span>	+\$0
<b>9K1</b>	rift oak, rift cut, low sheen <span style="border: 1px solid black; padding: 0 2px;">A</span>	+\$0
<b>9K6</b>	burnt oak, rift cut, low sheen <span style="border: 1px solid black; padding: 0 2px;">A</span>	+\$0
<b>ED</b>	aged cherry <span style="border: 1px solid black; padding: 0 2px;">A</span>	+\$0
<b>EK</b>	medium red walnut <span style="border: 1px solid black; padding: 0 2px;">A</span>	+\$0
<b>G2U</b>	light brown walnut, low sheen <span style="border: 1px solid black; padding: 0 2px;">A</span>	+\$0
<b>G40</b>	dark brown walnut, low sheen <span style="border: 1px solid black; padding: 0 2px;">A</span>	+\$0
<b>UX</b>	walnut on cherry <span style="border: 1px solid black; padding: 0 2px;">A</span>	+\$0

# Sled Base Credenza Four Units

Wide *continued*

## Premium Veneer - Matte

*For single door left, single door left center, BBF right center, BBF right (-B2B2B4B4)*

<b>662</b>	toasted walnut, matte sheen <span style="border: 1px solid black; padding: 0 2px;">A</span>	+\$0
<b>663</b>	charred walnut, matte sheen <span style="border: 1px solid black; padding: 0 2px;">A</span>	+\$0
<b>664</b>	bronzed walnut, matte sheen <span style="border: 1px solid black; padding: 0 2px;">A</span>	+\$0
<b>665</b>	smoked walnut, matte sheen <span style="border: 1px solid black; padding: 0 2px;">A</span>	+\$0
<b>666</b>	coffee walnut, matte sheen <span style="border: 1px solid black; padding: 0 2px;">A</span>	+\$0
<b>667</b>	smoked paldao, quarter cut, matte sheen <span style="border: 1px solid black; padding: 0 2px;">A</span>	+\$1575
<b>66A</b>	recograin frosty ash <span style="border: 1px solid black; padding: 0 2px;">A</span>	+\$0
<b>677</b>	chocolate ash, matte sheen <span style="border: 1px solid black; padding: 0 2px;">A</span>	+\$0
<b>678</b>	natural oak <span style="border: 1px solid black; padding: 0 2px;">A</span>	+\$0
<b>68R</b>	recograin rosewood <span style="border: 1px solid black; padding: 0 2px;">A</span>	+\$0
<b>69A</b>	recograin frosty ash <span style="border: 1px solid black; padding: 0 2px;">A</span>	+\$0
<b>69R</b>	recograin rosewood <span style="border: 1px solid black; padding: 0 2px;">A</span>	+\$0
<b>69T</b>	recograin teak <span style="border: 1px solid black; padding: 0 2px;">A</span>	+\$0
<b>6A1</b>	white ash <span style="border: 1px solid black; padding: 0 2px;">A</span>	+\$0
<b>6K1</b>	rift oak <span style="border: 1px solid black; padding: 0 2px;">A</span>	+\$0
<b>6K6</b>	burnt oak <span style="border: 1px solid black; padding: 0 2px;">A</span>	+\$0
<b>ET</b>	clear on ash <span style="border: 1px solid black; padding: 0 2px;">A</span>	+\$0
<b>EU</b>	oak on ash <span style="border: 1px solid black; padding: 0 2px;">A</span>	+\$0
<b>EV</b>	walnut on ash <span style="border: 1px solid black; padding: 0 2px;">A</span>	+\$0
<b>GOU</b>	natural walnut, flat cut, matte sheen <span style="border: 1px solid black; padding: 0 2px;">A</span>	+\$0

## RecoGrain Veneer

*For single door left, single door left center, BBF right center, BBF right (-B2B2B4B4)*

<b>66G</b>	recograin wenge <span style="border: 1px solid black; padding: 0 2px;">A</span>	-\$525
<b>68W</b>	recograin walnut, flat cut, matte sheen <span style="border: 1px solid black; padding: 0 2px;">A</span>	-\$525
<b>69G</b>	recograin wenge <span style="border: 1px solid black; padding: 0 2px;">A</span>	-\$525
<b>69K</b>	recograin oak, quarter cut, matte sheen <span style="border: 1px solid black; padding: 0 2px;">A</span>	-\$525
<b>69W</b>	recograin walnut, quarter cut, matte sheen <span style="border: 1px solid black; padding: 0 2px;">A</span>	-\$525

## Recon Veneer -

*For single door left, single door left center, BBF right center, BBF right (-B2B2B4B4)*

<b>96G</b>	wenge recograin, quarter cut, low sheen <span style="border: 1px solid black; padding: 0 2px;">A</span>	-\$525
<b>98W</b>	recograin walnut, flat cut, low sheen <span style="border: 1px solid black; padding: 0 2px;">A</span>	-\$525
<b>99G</b>	recograin wenge, quarter cut, low sheen <span style="border: 1px solid black; padding: 0 2px;">A</span>	-\$525
<b>99K</b>	recograin oak, quarter cut, low sheen <span style="border: 1px solid black; padding: 0 2px;">A</span>	-\$525
<b>99W</b>	recograin walnut, quarter cut, low sheen <span style="border: 1px solid black; padding: 0 2px;">A</span>	-\$525

## Premium Veneer - Low Sheen

*For four BBF (-B4B4B4B4)*

<b>931</b>	champagne anigre (natural) <span style="border: 1px solid black; padding: 0 2px;">A</span>	+\$2151
<b>932</b>	sundance anigre <span style="border: 1px solid black; padding: 0 2px;">A</span>	+\$2151
<b>933</b>	caramel anigre <span style="border: 1px solid black; padding: 0 2px;">A</span>	+\$2151
<b>934</b>	henna anigre <span style="border: 1px solid black; padding: 0 2px;">A</span>	+\$2151
<b>941</b>	natural beech <span style="border: 1px solid black; padding: 0 2px;">A</span>	+\$0
<b>942</b>	sundance cherry (natural) <span style="border: 1px solid black; padding: 0 2px;">A</span>	+\$0
<b>943</b>	caramel cherry <span style="border: 1px solid black; padding: 0 2px;">A</span>	+\$0
<b>946</b>	cocoa cherry <span style="border: 1px solid black; padding: 0 2px;">A</span>	+\$0
<b>951</b>	natural anigre <span style="border: 1px solid black; padding: 0 2px;">A</span>	+\$4700
<b>956</b>	cocoa sapele <span style="border: 1px solid black; padding: 0 2px;">A</span>	+\$0
<b>962</b>	toasted walnut, low sheen <span style="border: 1px solid black; padding: 0 2px;">A</span>	+\$0
<b>963</b>	charred walnut, low sheen <span style="border: 1px solid black; padding: 0 2px;">A</span>	+\$0
<b>964</b>	bronzed walnut, low sheen <span style="border: 1px solid black; padding: 0 2px;">A</span>	+\$0
<b>965</b>	smoked walnut, low sheen <span style="border: 1px solid black; padding: 0 2px;">A</span>	+\$0
<b>966</b>	coffee walnut, low sheen <span style="border: 1px solid black; padding: 0 2px;">A</span>	+\$0
<b>967</b>	smoked paldao, low sheen <span style="border: 1px solid black; padding: 0 2px;">A</span>	+\$1763
<b>969</b>	warm paldao, low sheen <span style="border: 1px solid black; padding: 0 2px;">A</span>	+\$1763
<b>977</b>	chocolate ash, low sheen <span style="border: 1px solid black; padding: 0 2px;">A</span>	+\$0
<b>978</b>	natural oak <span style="border: 1px solid black; padding: 0 2px;">A</span>	+\$0
<b>981</b>	champagne hickory (natural) <span style="border: 1px solid black; padding: 0 2px;">A</span>	+\$0
<b>98R</b>	recograin rosewood <span style="border: 1px solid black; padding: 0 2px;">A</span>	+\$0
<b>991</b>	champagne ash <span style="border: 1px solid black; padding: 0 2px;">A</span>	+\$0
<b>998</b>	ebony ash <span style="border: 1px solid black; padding: 0 2px;">A</span>	+\$0
<b>99A</b>	recograin frosty ash <span style="border: 1px solid black; padding: 0 2px;">A</span>	+\$0
<b>99R</b>	recograin rosewood <span style="border: 1px solid black; padding: 0 2px;">A</span>	+\$0
<b>99T</b>	recograin teak <span style="border: 1px solid black; padding: 0 2px;">A</span>	+\$0
<b>9A1</b>	white ash, quarter cut, low sheen <span style="border: 1px solid black; padding: 0 2px;">A</span>	+\$0
<b>9K1</b>	rift oak, rift cut, low sheen <span style="border: 1px solid black; padding: 0 2px;">A</span>	+\$0
<b>9K6</b>	burnt oak, rift cut, low sheen <span style="border: 1px solid black; padding: 0 2px;">A</span>	+\$0
<b>ED</b>	aged cherry <span style="border: 1px solid black; padding: 0 2px;">A</span>	+\$0
<b>EK</b>	medium red walnut <span style="border: 1px solid black; padding: 0 2px;">A</span>	+\$0
<b>G2U</b>	light brown walnut, low sheen <span style="border: 1px solid black; padding: 0 2px;">A</span>	+\$0
<b>G40</b>	dark brown walnut, low sheen <span style="border: 1px solid black; padding: 0 2px;">A</span>	+\$0
<b>UX</b>	walnut on cherry <span style="border: 1px solid black; padding: 0 2px;">A</span>	+\$0

# Sled Base Credenza Four Units

## Wide *continued*

---

### Premium Veneer - Matte

*For four BBF (-B4B4B4B4)*

<b>662</b>	toasted walnut, matte sheen <input type="checkbox"/>	+\$0
<b>663</b>	charred walnut, matte sheen <input type="checkbox"/>	+\$0
<b>664</b>	bronzed walnut, matte sheen <input type="checkbox"/>	+\$0
<b>665</b>	smoked walnut, matte sheen <input type="checkbox"/>	+\$0
<b>666</b>	coffee walnut, matte sheen <input type="checkbox"/>	+\$0
<b>66A</b>	recograin frosty ash <input type="checkbox"/>	+\$0
<b>677</b>	chocolate ash, matte sheen <input type="checkbox"/>	+\$0
<b>678</b>	natural oak <input type="checkbox"/>	+\$0
<b>68R</b>	recograin rosewood <input type="checkbox"/>	+\$0
<b>69A</b>	recograin frosty ash <input type="checkbox"/>	+\$0
<b>69R</b>	recograin rosewood <input type="checkbox"/>	+\$0
<b>69T</b>	recograin teak <input type="checkbox"/>	+\$0
<b>6A1</b>	white ash <input type="checkbox"/>	+\$0
<b>6K1</b>	rift oak <input type="checkbox"/>	+\$0
<b>6K6</b>	burnt oak <input type="checkbox"/>	+\$0
<b>ET</b>	clear on ash <input type="checkbox"/>	+\$0
<b>EU</b>	oak on ash <input type="checkbox"/>	+\$0
<b>EV</b>	walnut on ash <input type="checkbox"/>	+\$0
<b>GOU</b>	natural walnut, flat cut, matte sheen <input type="checkbox"/>	+\$0

---

### RecoGrain Veneer

*For four BBF (-B4B4B4B4)*

<b>66G</b>	recograin wenge <input type="checkbox"/>	-\$588
<b>68W</b>	recograin walnut, flat cut, matte sheen <input type="checkbox"/>	-\$588
<b>69G</b>	recograin wenge <input type="checkbox"/>	-\$588
<b>69K</b>	recograin oak, quarter cut, matte sheen <input type="checkbox"/>	-\$588
<b>69W</b>	recograin walnut, quarter cut, matte sheen <input type="checkbox"/>	-\$588

---

### Recon Veneer -

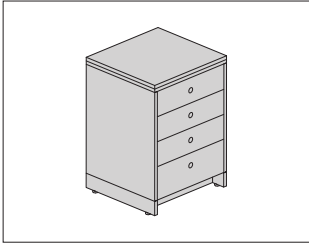
*For four BBF (-B4B4B4B4)*

<b>96G</b>	wenge recograin, quarter cut, low sheen <input type="checkbox"/>	-\$588
<b>98W</b>	recograin walnut, flat cut, low sheen <input type="checkbox"/>	-\$588
<b>99G</b>	recograin wenge, quarter cut, low sheen <input type="checkbox"/>	-\$588
<b>99K</b>	recograin oak, quarter cut, low sheen <input type="checkbox"/>	-\$588
<b>99W</b>	recograin walnut, quarter cut, low sheen <input type="checkbox"/>	-\$588

---

### Step 5. Metal Finish

<b>BNZ</b>	bronze <input type="checkbox"/>	+\$0
<b>CHR</b>	chrome <input type="checkbox"/>	+\$0
<b>SAC</b>	satin chrome <input type="checkbox"/>	+\$0



**Product Information**

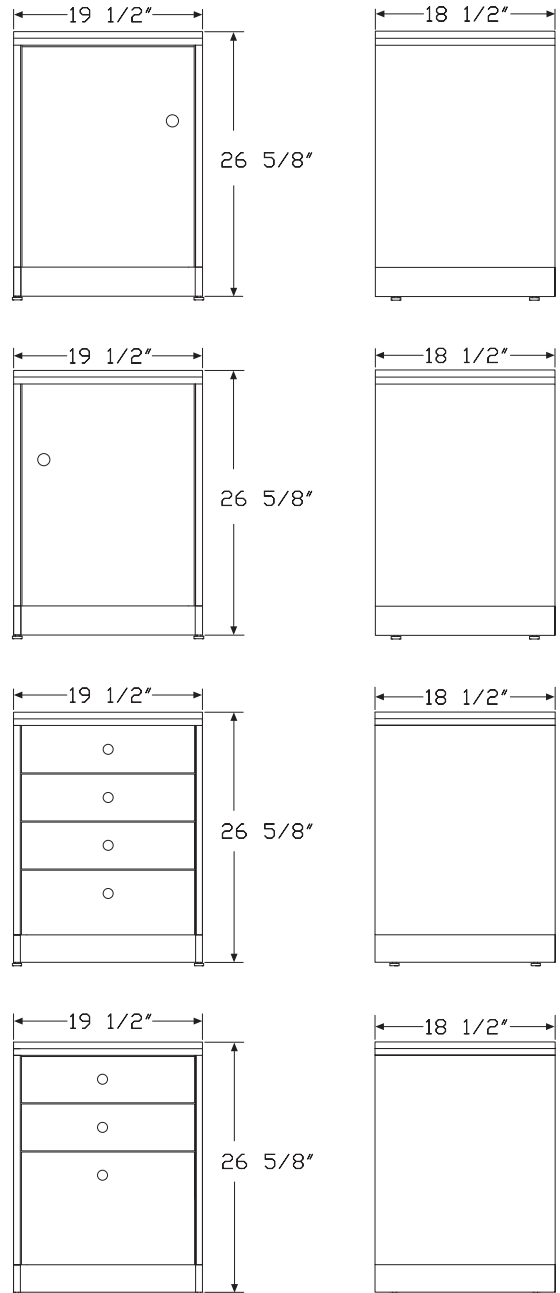
**Description**

This one-unit wide sled base credenza has a stone top and includes 3"-high metal base on the 3/4"-thick credenza gable. Storage unit is 18"-wide. Ward Bennett Flip pulls come in matching metal finish.

**Notes**

Sled base credenzas ship assembled.  
 Drawer credenzas include wood boxes and self-closing hidden drawer slides. Pencil tray and felt lining in bottom of drawer also included.  
 Santos palisander veneer is celebrated for its unique grain and color variations. Similar products ordered in multiples or dissimilar products ordered separately should be expected to have variation in both grain and color characteristics; no two products will look exactly alike.

**Dimensions**





# Sled Base Pedestal Stone Top

continued

## Specification Information

Step 1.

**JCS1S** A

Step 2. Size

**-1920** 18<sup>1</sup>/<sub>2</sub>" deep x 19<sup>1</sup>/<sub>2</sub>" wide x 26<sup>5</sup>/<sub>8</sub>" high A

Step 3. Configuration

**-B2L** single door, hinged left A

**-B2R** single door, hinged right A

**-B3** four box drawer A

**-B4** box, box, file A

Prices for Steps 1-3.

	<b>-B2L</b>	<b>-B2R</b>	<b>-B3</b>	<b>-B4</b>
<b>JCS1S -1920</b>	\$4233	4233	5247	4859

Step 4. Wood Finish

Premium Veneer - Low Sheen

	<b>-B2L</b>	<b>-B2R</b>	<b>-B3</b>	<b>-B4</b>
<b>931</b> champagne anigre (natural) <span style="border: 1px solid black; padding: 0 2px;">A</span>	+\$775	775	961	890
<b>932</b> sundance anigre <span style="border: 1px solid black; padding: 0 2px;">A</span>	+\$775	775	961	890
<b>933</b> caramel anigre <span style="border: 1px solid black; padding: 0 2px;">A</span>	+\$775	775	961	890
<b>934</b> henna anigre <span style="border: 1px solid black; padding: 0 2px;">A</span>	+\$775	775	961	890
<b>941</b> natural beech <span style="border: 1px solid black; padding: 0 2px;">A</span>	+\$0	0	0	0
<b>942</b> sundance cherry (natural) <span style="border: 1px solid black; padding: 0 2px;">A</span>	+\$0	0	0	0
<b>943</b> caramel cherry <span style="border: 1px solid black; padding: 0 2px;">A</span>	+\$0	0	0	0
<b>946</b> cocoa cherry <span style="border: 1px solid black; padding: 0 2px;">A</span>	+\$0	0	0	0
<b>951</b> natural anigre <span style="border: 1px solid black; padding: 0 2px;">A</span>	+\$1694	1694	2099	1944
<b>956</b> cocoa sapele <span style="border: 1px solid black; padding: 0 2px;">A</span>	+\$0	0	0	0
<b>962</b> toasted walnut, low sheen <span style="border: 1px solid black; padding: 0 2px;">A</span>	+\$0	0	0	0
<b>963</b> charred walnut, low sheen <span style="border: 1px solid black; padding: 0 2px;">A</span>	+\$0	0	0	0
<b>964</b> bronzed walnut, low sheen <span style="border: 1px solid black; padding: 0 2px;">A</span>	+\$0	0	0	0
<b>965</b> smoked walnut, low sheen <span style="border: 1px solid black; padding: 0 2px;">A</span>	+\$0	0	0	0
<b>966</b> coffee walnut, low sheen <span style="border: 1px solid black; padding: 0 2px;">A</span>	+\$0	0	0	0
<b>967</b> smoked paldao, low sheen <span style="border: 1px solid black; padding: 0 2px;">A</span>	+\$635	635	788	729
<b>969</b> warm paldao, low sheen <span style="border: 1px solid black; padding: 0 2px;">A</span>	+\$635	635	788	729
<b>977</b> chocolate ash, low sheen <span style="border: 1px solid black; padding: 0 2px;">A</span>	+\$0	0	0	0
<b>978</b> natural oak <span style="border: 1px solid black; padding: 0 2px;">A</span>	+\$0	0	0	0
<b>981</b> champagne hickory (natural) <span style="border: 1px solid black; padding: 0 2px;">A</span>	+\$0	0	0	0
<b>98R</b> recograin rosewood <span style="border: 1px solid black; padding: 0 2px;">A</span>	+\$0	0	0	0
<b>991</b> champagne ash <span style="border: 1px solid black; padding: 0 2px;">A</span>	+\$0	0	0	0
<b>998</b> ebony ash <span style="border: 1px solid black; padding: 0 2px;">A</span>	+\$0	0	0	0

<b>99A</b>	recograin frosty ash <span style="border: 1px solid black; padding: 0 2px;">A</span>	+\$0	0	0	0
<b>99R</b>	recograin rosewood <span style="border: 1px solid black; padding: 0 2px;">A</span>	+\$0	0	0	0
<b>99T</b>	recograin teak <span style="border: 1px solid black; padding: 0 2px;">A</span>	+\$0	0	0	0
<b>9A1</b>	white ash, quarter cut, low sheen <span style="border: 1px solid black; padding: 0 2px;">A</span>	+\$0	0	0	0
<b>9K1</b>	rift oak, rift cut, low sheen <span style="border: 1px solid black; padding: 0 2px;">A</span>	+\$0	0	0	0
<b>9K6</b>	burnt oak, rift cut, low sheen <span style="border: 1px solid black; padding: 0 2px;">A</span>	+\$0	0	0	0
<b>ED</b>	aged cherry <span style="border: 1px solid black; padding: 0 2px;">A</span>	+\$0	0	0	0
<b>EK</b>	medium red walnut <span style="border: 1px solid black; padding: 0 2px;">A</span>	+\$0	0	0	0
<b>G2U</b>	light brown walnut, low sheen <span style="border: 1px solid black; padding: 0 2px;">A</span>	+\$0	0	0	0
<b>G40</b>	dark brown walnut, low sheen <span style="border: 1px solid black; padding: 0 2px;">A</span>	+\$0	0	0	0
<b>UX</b>	walnut on cherry <span style="border: 1px solid black; padding: 0 2px;">A</span>	+\$0	0	0	0

# Sled Base Pedestal Stone Top

continued

HermanMiller Collection—Storage

Premium Veneer - Matte		-B2L	-B2R	-B3	-B4
662	toasted walnut, matte sheen <a href="#">A</a>	+\$0	0	0	0
663	charred walnut, matte sheen <a href="#">A</a>	+\$0	0	0	0
664	bronzed walnut, matte sheen <a href="#">A</a>	+\$0	0	0	0
665	smoked walnut, matte sheen <a href="#">A</a>	+\$0	0	0	0
666	coffee walnut, matte sheen <a href="#">A</a>	+\$0	0	0	0
667	smoked paldao, quarter cut, matte sheen <a href="#">A</a>	+\$635	635	788	729
669	warm paldao, quarter cut, matte sheen <a href="#">A</a>	+\$635	635	788	729
66A	recograin frosty ash <a href="#">A</a>	+\$0	0	0	0
677	chocolate ash, matte sheen <a href="#">A</a>	+\$0	0	0	0
678	natural oak <a href="#">A</a>	+\$0	0	0	0
68R	recograin rosewood <a href="#">A</a>	+\$0	0	0	0
69A	recograin frosty ash <a href="#">A</a>	+\$0	0	0	0
69R	recograin rosewood <a href="#">A</a>	+\$0	0	0	0
69T	recograin teak <a href="#">A</a>	+\$0	0	0	0
6A1	white ash <a href="#">A</a>	+\$0	0	0	0
6K1	rift oak <a href="#">A</a>	+\$0	0	0	0
6K6	burnt oak <a href="#">A</a>	+\$0	0	0	0
ET	clear on ash <a href="#">A</a>	+\$0	0	0	0
EU	oak on ash <a href="#">A</a>	+\$0	0	0	0
EV	walnut on ash <a href="#">A</a>	+\$0	0	0	0
GOU	natural walnut, flat cut, matte sheen <a href="#">A</a>	+\$0	0	0	0

RecoGrain Veneer		-B2L	-B2R	-B3	-B4
66G	recograin wenge <a href="#">A</a>	-\$212	-212	-263	-243
68W	recograin walnut, flat cut, matte sheen <a href="#">A</a>	-\$212	-212	-263	-243
69G	recograin wenge <a href="#">A</a>	-\$212	-212	-263	-243
69K	recograin oak, quarter cut, matte sheen <a href="#">A</a>	-\$212	-212	-263	-243
69W	recograin walnut, quarter cut, matte sheen <a href="#">A</a>	-\$212	-212	-263	-243

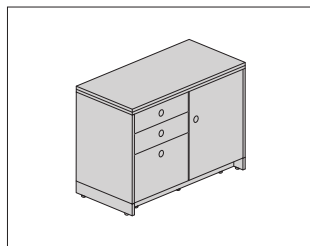
Recon Veneer -		-B2L	-B2R	-B3	-B4
96G	wenge recograin, quarter cut, low sheen <a href="#">A</a>	-\$212	-212	-263	-243
98W	recograin walnut, flat cut, low sheen <a href="#">A</a>	-\$212	-212	-263	-243
99G	recograin wenge, quarter cut, low sheen <a href="#">A</a>	-\$212	-212	-263	-243
99K	recograin oak, quarter cut, low sheen <a href="#">A</a>	-\$212	-212	-263	-243
99W	recograin walnut, quarter cut, low sheen <a href="#">A</a>	-\$212	-212	-263	-243

Step 5. Stone or Marble Top		
200	perfato marble <a href="#">A</a>	+\$0
250	verde antique marble <a href="#">A</a>	+\$0
400	black granite <a href="#">A</a>	+\$0
5U	georgia grey marble <a href="#">A</a>	+\$0
800	autumn brown granite <a href="#">A</a>	+\$0
960	white carrara marble <a href="#">A</a>	+\$0
HR	wisconsin black marble <a href="#">A</a>	+\$0

Step 6. Metal Finish		
BNZ	bronze <a href="#">A</a>	+\$0
CHR	chrome <a href="#">A</a>	+\$0
SAC	satin chrome <a href="#">A</a>	+\$0

# Sled Base Credenza Two Units Wide and Stone Top

JCS2S



## Product Information

### Description

This two-unit wide sled base credenza has a stone top and includes 3"-high metal base on the 3/4"-thick credenza gable. Storage unit is 18"-wide. Ward Bennett Flip pulls come in matching metal finish.

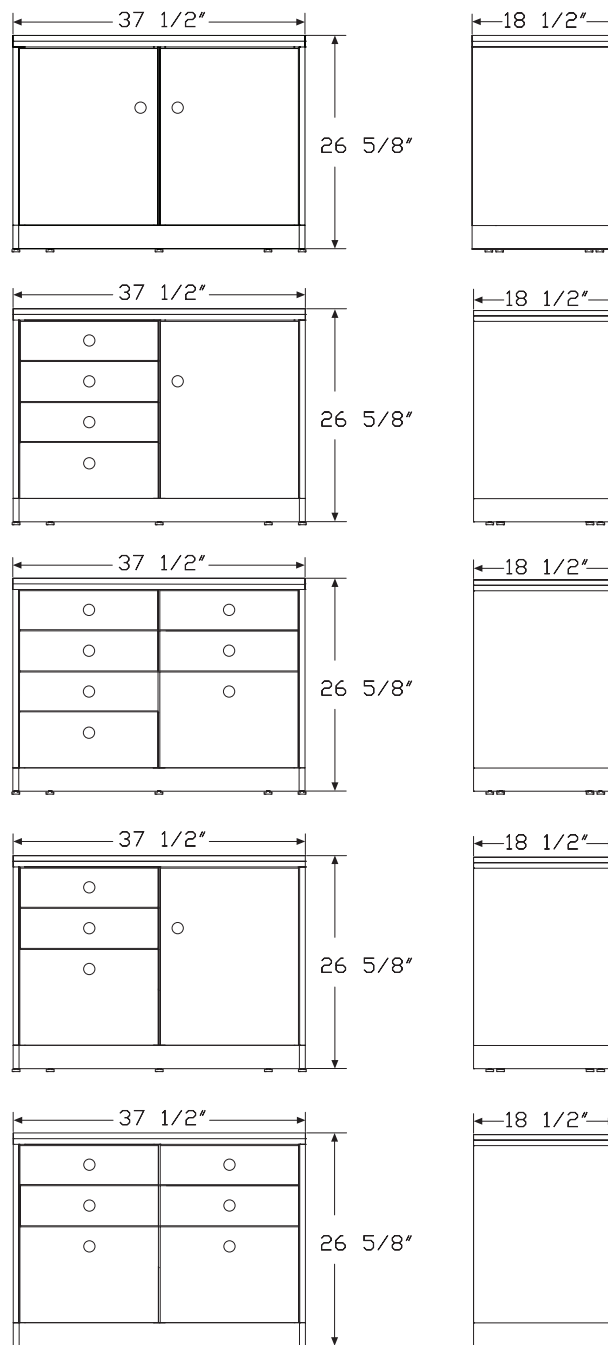
### Notes

Sled base credenzas ship assembled.

Drawer credenzas include wood boxes and self-closing hidden drawer slides. Pencil tray and felt lining in bottom of drawer also included.

Santos palisander veneer is celebrated for its unique grain and color variations. Similar products ordered in multiples or dissimilar products ordered separately should be expected to have variation in both grain and color characteristics; no two products will look exactly alike.

## Dimensions



# Sled Base Credenza Two Units Wide and Stone Top *continued*

Specification Information						
Step 1.						
<b>JCS2S</b> <input type="checkbox"/>						
Step 2. Size						
<b>-1938</b>	18 <sup>1</sup> / <sub>2</sub> " deep x 37 <sup>1</sup> / <sub>2</sub> " wide x 26 <sup>5</sup> / <sub>8</sub> " high <input type="checkbox"/>					
Step 3. Configuration						
<b>-B2B2</b>	two doors <input type="checkbox"/>					
<b>-B3B2</b>	four drawers left, single door right <input type="checkbox"/>					
<b>-B3B4</b>	four drawers left, BBF right <input type="checkbox"/>					
<b>-B4B2</b>	BBF left, single door right <input type="checkbox"/>					
<b>-B4B4</b>	BBF left, BBF right <input type="checkbox"/>					
Prices for Steps 1-3.						
	<b>-B2B2</b>	<b>-B3B2</b>	<b>-B3B4</b>	<b>-B4B2</b>	<b>-B4B4</b>	
<b>JCS2S -1938</b>	\$7176	8190	8816	7802	8429	
Step 4. Wood Finish						
Premium Veneer - Low Sheen						
	<b>-B2B2</b>	<b>-B3B2</b>	<b>-B3B4</b>	<b>-B4B2</b>	<b>-B4B4</b>	
<b>931</b>	champagne anigre (natural) <input type="checkbox"/>	+\$1314	1499	1614	1428	1543
<b>932</b>	sundance anigre <input type="checkbox"/>	+\$1314	1499	1614	1428	1543
<b>933</b>	caramel anigre <input type="checkbox"/>	+\$1314	1499	1614	1428	1543
<b>934</b>	henna anigre <input type="checkbox"/>	+\$1314	1499	1614	1428	1543
<b>941</b>	natural beech <input type="checkbox"/>	+\$0	0	0	0	0
<b>942</b>	sundance cherry (natural) <input type="checkbox"/>	+\$0	0	0	0	0
<b>943</b>	caramel cherry <input type="checkbox"/>	+\$0	0	0	0	0
<b>946</b>	cocoa cherry <input type="checkbox"/>	+\$0	0	0	0	0
<b>951</b>	natural anigre <input type="checkbox"/>	+\$2871	3276	3527	3121	3372
<b>956</b>	cocoa sapele <input type="checkbox"/>	+\$0	0	0	0	0
<b>962</b>	toasted walnut, low sheen <input type="checkbox"/>	+\$0	0	0	0	0
<b>963</b>	charred walnut, low sheen <input type="checkbox"/>	+\$0	0	0	0	0
<b>964</b>	bronzed walnut, low sheen <input type="checkbox"/>	+\$0	0	0	0	0
<b>965</b>	smoked walnut, low sheen <input type="checkbox"/>	+\$0	0	0	0	0
<b>966</b>	coffee walnut, low sheen <input type="checkbox"/>	+\$0	0	0	0	0
<b>967</b>	smoked paldao, low sheen <input type="checkbox"/>	+\$1077	1229	1323	1171	1265

<b>969</b>	warm paldao, low sheen <input type="checkbox"/>	+\$1077	1229	1323	1171	1265
<b>977</b>	chocolate ash, low sheen <input type="checkbox"/>	+\$0	0	0	0	0
<b>978</b>	natural oak <input type="checkbox"/>	+\$0	0	0	0	0
<b>981</b>	champagne hickory (natural) <input type="checkbox"/>	+\$0	0	0	0	0
<b>98R</b>	recograin rosewood <input type="checkbox"/>	+\$0	0	0	0	0
<b>991</b>	champagne ash <input type="checkbox"/>	+\$0	0	0	0	0
<b>998</b>	ebony ash <input type="checkbox"/>	+\$0	0	0	0	0
<b>99A</b>	recograin frosty ash <input type="checkbox"/>	+\$0	0	0	0	0
<b>99R</b>	recograin rosewood <input type="checkbox"/>	+\$0	0	0	0	0
<b>99T</b>	recograin teak <input type="checkbox"/>	+\$0	0	0	0	0
<b>9A1</b>	white ash, quarter cut, low sheen <input type="checkbox"/>	+\$0	0	0	0	0
<b>9K1</b>	rift oak, rift cut, low sheen <input type="checkbox"/>	+\$0	0	0	0	0
<b>9K6</b>	burnt oak, rift cut, low sheen <input type="checkbox"/>	+\$0	0	0	0	0
<b>ED</b>	aged cherry <input type="checkbox"/>	+\$0	0	0	0	0
<b>EK</b>	medium red walnut <input type="checkbox"/>	+\$0	0	0	0	0
<b>G2U</b>	light brown walnut, low sheen <input type="checkbox"/>	+\$0	0	0	0	0
<b>G40</b>	dark brown walnut, low sheen <input type="checkbox"/>	+\$0	0	0	0	0
<b>UX</b>	walnut on cherry <input type="checkbox"/>	+\$0	0	0	0	0

# Sled Base Credenza Two Units Wide and Stone Top *continued*

## Premium Veneer - Matte

		-B2B2	-B3B2	-B3B4	-B4B2	-B4B4
<b>662</b>	toasted walnut, matte sheen <a href="#">A</a>	+\$0	0	0	0	0
<b>663</b>	charred walnut, matte sheen <a href="#">A</a>	+\$0	0	0	0	0
<b>664</b>	bronzed walnut, matte sheen <a href="#">A</a>	+\$0	0	0	0	0
<b>665</b>	smoked walnut, matte sheen <a href="#">A</a>	+\$0	0	0	0	0
<b>666</b>	coffee walnut, matte sheen <a href="#">A</a>	+\$0	0	0	0	0
<b>667</b>	smoked paldao, quarter cut, matte sheen <a href="#">A</a>	+\$1077	1229	1323	1171	1265
<b>669</b>	warm paldao, quarter cut, matte sheen <a href="#">A</a>	+\$1077	1229	1323	1171	1265
<b>66A</b>	recograin frosty ash <a href="#">A</a>	+\$0	0	0	0	0
<b>677</b>	chocolate ash, matte sheen <a href="#">A</a>	+\$0	0	0	0	0
<b>678</b>	natural oak <a href="#">A</a>	+\$0	0	0	0	0
<b>68R</b>	recograin rosewood <a href="#">A</a>	+\$0	0	0	0	0
<b>69A</b>	recograin frosty ash <a href="#">A</a>	+\$0	0	0	0	0
<b>69R</b>	recograin rosewood <a href="#">A</a>	+\$0	0	0	0	0
<b>69T</b>	recograin teak <a href="#">A</a>	+\$0	0	0	0	0
<b>6A1</b>	white ash <a href="#">A</a>	+\$0	0	0	0	0
<b>6K1</b>	rift oak <a href="#">A</a>	+\$0	0	0	0	0
<b>6K6</b>	burnt oak <a href="#">A</a>	+\$0	0	0	0	0
<b>ET</b>	clear on ash <a href="#">A</a>	+\$0	0	0	0	0
<b>EU</b>	oak on ash <a href="#">A</a>	+\$0	0	0	0	0
<b>EV</b>	walnut on ash <a href="#">A</a>	+\$0	0	0	0	0
<b>GOU</b>	natural walnut, flat cut, matte sheen <a href="#">A</a>	+\$0	0	0	0	0

## RecoGrain Veneer

		-B2B2	-B3B2	-B3B4	-B4B2	-B4B4
<b>66G</b>	recograin wenge <a href="#">A</a>	-\$359	-410	-441	-391	-422
<b>68W</b>	recograin walnut, flat cut, matte sheen <a href="#">A</a>	-\$359	-410	-441	-391	-422
<b>69G</b>	recograin wenge <a href="#">A</a>	-\$359	-410	-441	-391	-422
<b>69K</b>	recograin oak, quarter cut, matte sheen <a href="#">A</a>	-\$359	-410	-441	-391	-422
<b>69W</b>	recograin walnut, quarter cut, matte sheen <a href="#">A</a>	-\$359	-410	-441	-391	-422

## Recon Veneer -

		-B2B2	-B3B2	-B3B4	-B4B2	-B4B4
<b>96G</b>	wenge recograin, quarter cut, low sheen <a href="#">A</a>	-\$359	-410	-441	-391	-422
<b>98W</b>	recograin walnut, flat cut, low sheen <a href="#">A</a>	-\$359	-410	-441	-391	-422
<b>99G</b>	recograin wenge, quarter cut, low sheen <a href="#">A</a>	-\$359	-410	-441	-391	-422
<b>99K</b>	recograin oak, quarter cut, low sheen <a href="#">A</a>	-\$359	-410	-441	-391	-422
<b>99W</b>	recograin walnut, quarter cut, low sheen <a href="#">A</a>	-\$359	-410	-441	-391	-422

## Step 5. Stone or Marble Top

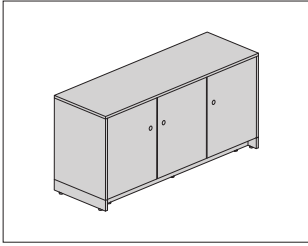
<b>200</b>	perfato marble <a href="#">A</a>	+\$0
<b>250</b>	verde antique marble <a href="#">A</a>	+\$0
<b>400</b>	black granite <a href="#">A</a>	+\$0
<b>5U</b>	georgia grey marble <a href="#">A</a>	+\$0
<b>800</b>	autumn brown granite <a href="#">A</a>	+\$0
<b>960</b>	white carrara marble <a href="#">A</a>	+\$0
<b>HR</b>	wisconsin black marble <a href="#">A</a>	+\$0

## Step 6. Metal Finish

<b>BNZ</b>	bronze <a href="#">A</a>	+\$0
<b>CHR</b>	chrome <a href="#">A</a>	+\$0
<b>SAC</b>	satin chrome <a href="#">A</a>	+\$0

Sled Base Credenza Three Units  
Wide and Stone Top

JCS3S



HermanMiller Collection—Storage

**Product Information**

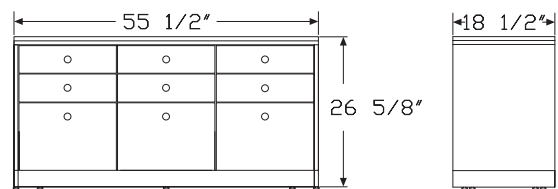
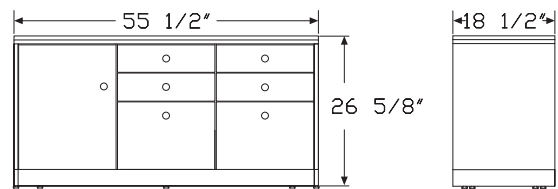
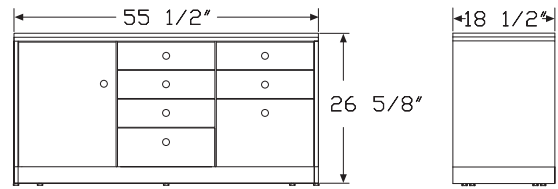
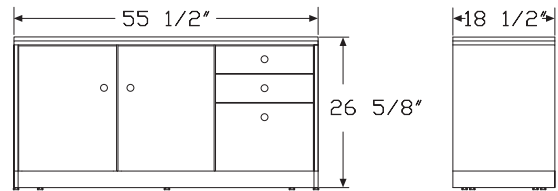
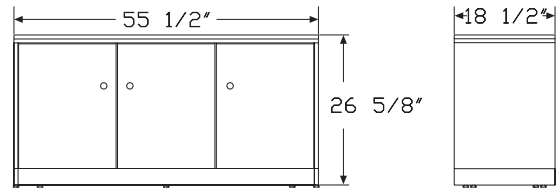
**Description**

This three-unit wide sled base credenza has a stone top and includes 3"-high metal base on the 3/4"-thick credenza gable. Storage unit is 18"-wide. Ward Bennett Flip pulls come in matching metal finish.

**Notes**

Sled base credenzas ship assembled.  
 Drawer credenzas include wood boxes and self-closing hidden drawer slides. Pencil tray and felt lining in bottom of drawer also included.  
 Santos palisander veneer is celebrated for its unique grain and color variations. Similar products ordered in multiples or dissimilar products ordered separately should be expected to have variation in both grain and color characteristics; no two products will look exactly alike.

**Dimensions**



# Sled Base Credenza Three Units Wide and Stone Top *continued*

## Specification Information

Step 1.

**JCS3S** A

Step 2. Size

**-1956** 18<sup>1</sup>/<sub>2</sub>" deep x 55<sup>1</sup>/<sub>2</sub>" wide x 26<sup>5</sup>/<sub>8</sub>" high A

Step 3. Configuration

**-B2B2B2** three single doors A

**-B2B2B4** single door left, single door center, BBF right A

**-B2B3B4** single door left, 4 box center, BBF right A

**-B2B4B4** single door left, BBF center, BBF right A

**-B4B4B4** BBF left, BBF center, BBF right A

Prices for Steps 1-3.

	<b>-B2B2B2</b>	<b>-B2B2B4</b>	<b>-B2B3B4</b>	<b>-B2B4B4</b>	<b>-B4B4B4</b>
<b>JCS3S -1956</b>	\$9681	10307	11321	10933	11559

Step 4. Wood Finish

Premium Veneer - Low Sheen

	<b>-B2B2B2</b>	<b>-B2B2B4</b>	<b>-B2B3B4</b>	<b>-B2B4B4</b>	<b>-B4B4B4</b>
<b>931</b> champagne anigre (natural) <span style="border: 1px solid black; padding: 0 2px;">A</span>	+\$1772	1887	2073	2002	2116
<b>932</b> sundance anigre <span style="border: 1px solid black; padding: 0 2px;">A</span>	+\$1772	1887	2073	2002	2116
<b>933</b> caramel anigre <span style="border: 1px solid black; padding: 0 2px;">A</span>	+\$1772	1887	2073	2002	2116
<b>934</b> henna anigre <span style="border: 1px solid black; padding: 0 2px;">A</span>	+\$1772	1887	2073	2002	2116
<b>941</b> natural beech <span style="border: 1px solid black; padding: 0 2px;">A</span>	+\$0	0	0	0	0
<b>942</b> sundance cherry (natural) <span style="border: 1px solid black; padding: 0 2px;">A</span>	+\$0	0	0	0	0
<b>943</b> caramel cherry <span style="border: 1px solid black; padding: 0 2px;">A</span>	+\$0	0	0	0	0
<b>946</b> cocoa cherry <span style="border: 1px solid black; padding: 0 2px;">A</span>	+\$0	0	0	0	0
<b>951</b> natural anigre <span style="border: 1px solid black; padding: 0 2px;">A</span>	+\$3873	4124	4529	4374	4624
<b>956</b> cocoa sapele <span style="border: 1px solid black; padding: 0 2px;">A</span>	+\$0	0	0	0	0
<b>962</b> toasted walnut, low sheen <span style="border: 1px solid black; padding: 0 2px;">A</span>	+\$0	0	0	0	0
<b>963</b> charred walnut, low sheen <span style="border: 1px solid black; padding: 0 2px;">A</span>	+\$0	0	0	0	0
<b>964</b> bronzed walnut, low sheen <span style="border: 1px solid black; padding: 0 2px;">A</span>	+\$0	0	0	0	0
<b>965</b> smoked walnut, low sheen <span style="border: 1px solid black; padding: 0 2px;">A</span>	+\$0	0	0	0	0
<b>966</b> coffee walnut, low sheen <span style="border: 1px solid black; padding: 0 2px;">A</span>	+\$0	0	0	0	0
<b>967</b> smoked paldao, low sheen <span style="border: 1px solid black; padding: 0 2px;">A</span>	+\$1453	1547	1699	1641	1734

<b>969</b> warm paldao, low sheen <span style="border: 1px solid black; padding: 0 2px;">A</span>	+\$1453	1547	1699	1641	1734
<b>977</b> chocolate ash, low sheen <span style="border: 1px solid black; padding: 0 2px;">A</span>	+\$0	0	0	0	0
<b>978</b> natural oak <span style="border: 1px solid black; padding: 0 2px;">A</span>	+\$0	0	0	0	0
<b>981</b> champagne hickory (natural) <span style="border: 1px solid black; padding: 0 2px;">A</span>	+\$0	0	0	0	0
<b>98R</b> recograin rosewood <span style="border: 1px solid black; padding: 0 2px;">A</span>	+\$0	0	0	0	0
<b>991</b> champagne ash <span style="border: 1px solid black; padding: 0 2px;">A</span>	+\$0	0	0	0	0
<b>998</b> ebony ash <span style="border: 1px solid black; padding: 0 2px;">A</span>	+\$0	0	0	0	0
<b>99A</b> recograin frosty ash <span style="border: 1px solid black; padding: 0 2px;">A</span>	+\$0	0	0	0	0
<b>99R</b> recograin rosewood <span style="border: 1px solid black; padding: 0 2px;">A</span>	+\$0	0	0	0	0
<b>99T</b> recograin teak <span style="border: 1px solid black; padding: 0 2px;">A</span>	+\$0	0	0	0	0
<b>9A1</b> white ash, quarter cut, low sheen <span style="border: 1px solid black; padding: 0 2px;">A</span>	+\$0	0	0	0	0
<b>9K1</b> rift oak, rift cut, low sheen <span style="border: 1px solid black; padding: 0 2px;">A</span>	+\$0	0	0	0	0
<b>9K6</b> burnt oak, rift cut, low sheen <span style="border: 1px solid black; padding: 0 2px;">A</span>	+\$0	0	0	0	0
<b>ED</b> aged cherry <span style="border: 1px solid black; padding: 0 2px;">A</span>	+\$0	0	0	0	0
<b>EK</b> medium red walnut <span style="border: 1px solid black; padding: 0 2px;">A</span>	+\$0	0	0	0	0
<b>G2U</b> light brown walnut, low sheen <span style="border: 1px solid black; padding: 0 2px;">A</span>	+\$0	0	0	0	0
<b>G40</b> dark brown walnut, low sheen <span style="border: 1px solid black; padding: 0 2px;">A</span>	+\$0	0	0	0	0
<b>UX</b> walnut on cherry <span style="border: 1px solid black; padding: 0 2px;">A</span>	+\$0	0	0	0	0

HermanMiller Collection—Storage

# Sled Base Credenza Three Units Wide and Stone Top *continued*

Premium Veneer - Matte		-B2B2B2	-B2B2B4	-B2B3B4	-B2B4B4	-B4B4B4
<b>662</b>	toasted walnut, matte sheen <a href="#">A</a>	+\$0	0	0	0	0
<b>663</b>	charred walnut, matte sheen <a href="#">A</a>	+\$0	0	0	0	0
<b>664</b>	bronzed walnut, matte sheen <a href="#">A</a>	+\$0	0	0	0	0
<b>665</b>	smoked walnut, matte sheen <a href="#">A</a>	+\$0	0	0	0	0
<b>666</b>	coffee walnut, matte sheen <a href="#">A</a>	+\$0	0	0	0	0
<b>667</b>	smoked paldao, quarter cut, matte sheen <a href="#">A</a>	+\$1453	1547	1699	1641	1734
<b>669</b>	warm paldao, quarter cut, matte sheen <a href="#">A</a>	+\$1453	1547	1699	1641	1734
<b>66A</b>	recograin frosty ash <a href="#">A</a>	+\$0	0	0	0	0
<b>677</b>	chocolate ash, matte sheen <a href="#">A</a>	+\$0	0	0	0	0
<b>678</b>	natural oak <a href="#">A</a>	+\$0	0	0	0	0
<b>68R</b>	recograin rosewood <a href="#">A</a>	+\$0	0	0	0	0
<b>69A</b>	recograin frosty ash <a href="#">A</a>	+\$0	0	0	0	0
<b>69R</b>	recograin rosewood <a href="#">A</a>	+\$0	0	0	0	0
<b>69T</b>	recograin teak <a href="#">A</a>	+\$0	0	0	0	0
<b>6A1</b>	white ash <a href="#">A</a>	+\$0	0	0	0	0
<b>6K1</b>	rift oak <a href="#">A</a>	+\$0	0	0	0	0
<b>6K6</b>	burnt oak <a href="#">A</a>	+\$0	0	0	0	0
<b>ET</b>	clear on ash <a href="#">A</a>	+\$0	0	0	0	0
<b>EU</b>	oak on ash <a href="#">A</a>	+\$0	0	0	0	0
<b>EV</b>	walnut on ash <a href="#">A</a>	+\$0	0	0	0	0
<b>GOU</b>	natural walnut, flat cut, matte sheen <a href="#">A</a>	+\$0	0	0	0	0

RecoGrain Veneer		-B2B2B2	-B2B2B4	-B2B3B4	-B2B4B4	-B4B4B4
<b>66G</b>	recograin wenge <a href="#">A</a>	-\$485	-516	-567	-547	-578
<b>68W</b>	recograin walnut, flat cut, matte sheen <a href="#">A</a>	-\$485	-516	-567	-547	-578
<b>69G</b>	recograin wenge <a href="#">A</a>	-\$485	-516	-567	-547	-578
<b>69K</b>	recograin oak, quarter cut, matte sheen <a href="#">A</a>	-\$485	-516	-567	-547	-578
<b>69W</b>	recograin walnut, quarter cut, matte sheen <a href="#">A</a>	-\$485	-516	-567	-547	-578

Recon Veneer -		-B2B2B2	-B2B2B4	-B2B3B4	-B2B4B4	-B4B4B4
<b>96G</b>	wenge recograin, quarter cut, low sheen <a href="#">A</a>	-\$485	-516	-567	-547	-578
<b>98W</b>	recograin walnut, flat cut, low sheen <a href="#">A</a>	-\$485	-516	-567	-547	-578
<b>99G</b>	recograin wenge, quarter cut, low sheen <a href="#">A</a>	-\$485	-516	-567	-547	-578
<b>99K</b>	recograin oak, quarter cut, low sheen <a href="#">A</a>	-\$485	-516	-567	-547	-578
<b>99W</b>	recograin walnut, quarter cut, low sheen <a href="#">A</a>	-\$485	-516	-567	-547	-578

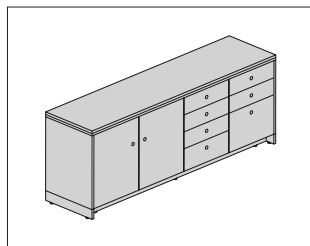
Step 5. Stone or Marble Top		
<b>200</b>	perfato marble <a href="#">A</a>	+\$0
<b>250</b>	verde antique marble <a href="#">A</a>	+\$0
<b>400</b>	black granite <a href="#">A</a>	+\$0
<b>5U</b>	georgia grey marble <a href="#">A</a>	+\$0
<b>800</b>	autumn brown granite <a href="#">A</a>	+\$0
<b>960</b>	white carrara marble <a href="#">A</a>	+\$0
<b>HR</b>	wisconsin black marble <a href="#">A</a>	+\$0

Step 6. Metal Finish		
<b>BNZ</b>	bronze <a href="#">A</a>	+\$0
<b>CHR</b>	chrome <a href="#">A</a>	+\$0
<b>SAC</b>	satin chrome <a href="#">A</a>	+\$0



# Sled Base Credenza Four Units Wide and Stone Top

JCS4S



## Product Information

### Description

This four-unit wide sled base credenza has a stone top and includes 3"-high metal base on the 3/4"-thick credenza gable. Storage unit is 18"-wide. Ward Bennett Flip pulls come in matching metal finish.

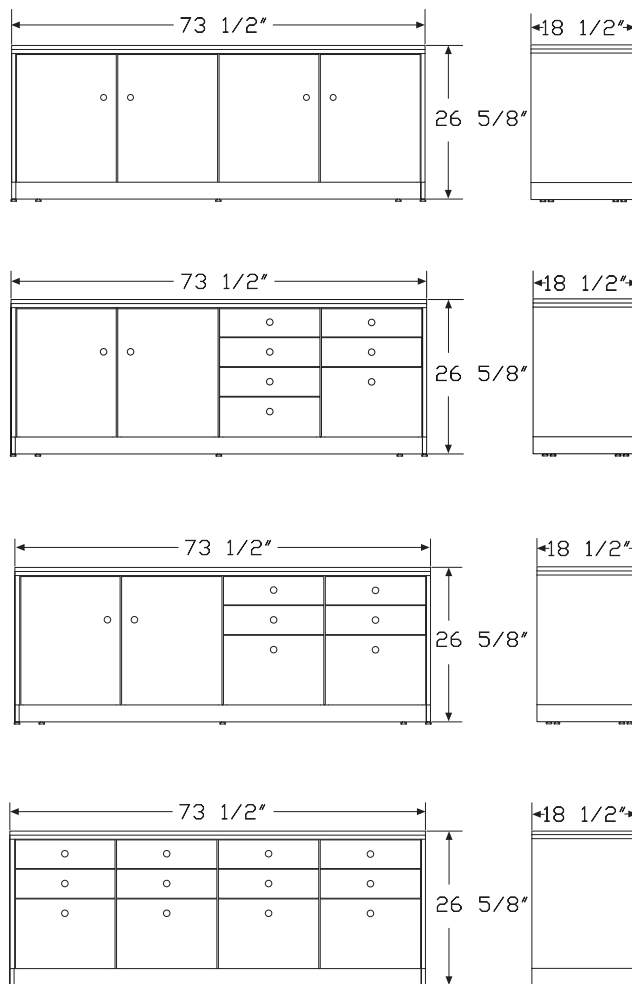
### Notes

Sled base credenzas ship assembled.

Drawer credenzas include wood boxes and self-closing hidden drawer slides. Pencil tray and felt lining in bottom of drawer also included.

Santos palisander veneer is celebrated for its unique grain and color variations. Similar products ordered in multiples or dissimilar products ordered separately should be expected to have variation in both grain and color characteristics; no two products will look exactly alike.

## Dimensions



# Sled Base Credenza Four Units Wide and Stone Top *continued*

Specification Information				
Step 1.				
<b>JCS4S</b> <input type="checkbox"/>				
Step 2. Size				
<b>-1974</b>	18 <sup>1</sup> / <sub>2</sub> " deep x	73 <sup>1</sup> / <sub>2</sub> " wide x	26 <sup>5</sup> / <sub>8</sub> " high	<input type="checkbox"/>
Step 3. Configuration				
<b>-B2B2B2B2</b>	four single doors	<input type="checkbox"/>		
<b>-B2B2B3B4</b>	single door left, single door left center, four drawers right center, BBF right	<input type="checkbox"/>		
<b>-B2B2B4B4</b>	single door left, single door left center, BBF right center, BBF right	<input type="checkbox"/>		
<b>-B4B4B4B4</b>	four BBF	<input type="checkbox"/>		
Prices for Steps 1-3.				
	<b>-B2B2B2B2</b>	<b>-B2B2B3B4</b>	<b>-B2B2B4B4</b>	<b>-B4B4B4B4</b>
<b>JCS4S -1974</b>	\$12662	14301	13914	15166

Step 4. Wood Finish				
Premium Veneer - Low Sheen				
	<b>-B2B2B2B2</b>	<b>-B2B2B3B4</b>	<b>-B2B2B4B4</b>	<b>-B4B4B4B4</b>
<b>931</b> champagne anigre (natural) <input type="checkbox"/>	+\$2318	2618	2547	2777
<b>932</b> sundance anigre <input type="checkbox"/>	+\$2318	2618	2547	2777
<b>933</b> caramel anigre <input type="checkbox"/>	+\$2318	2618	2547	2777
<b>934</b> henna anigre <input type="checkbox"/>	+\$2318	2618	2547	2777
<b>941</b> natural beech <input type="checkbox"/>	+\$0	0	0	0
<b>942</b> sundance cherry (natural) <input type="checkbox"/>	+\$0	0	0	0
<b>943</b> caramel cherry <input type="checkbox"/>	+\$0	0	0	0
<b>946</b> cocoa cherry <input type="checkbox"/>	+\$0	0	0	0
<b>951</b> natural anigre <input type="checkbox"/>	+\$5066	5721	5566	6067
<b>956</b> cocoa sapele <input type="checkbox"/>	+\$0	0	0	0
<b>962</b> toasted walnut, low sheen <input type="checkbox"/>	+\$0	0	0	0
<b>963</b> charred walnut, low sheen <input type="checkbox"/>	+\$0	0	0	0
<b>964</b> bronzed walnut, low sheen <input type="checkbox"/>	+\$0	0	0	0
<b>965</b> smoked walnut, low sheen <input type="checkbox"/>	+\$0	0	0	0
<b>966</b> coffee walnut, low sheen <input type="checkbox"/>	+\$0	0	0	0
<b>967</b> smoked paldao, low sheen <input type="checkbox"/>	+\$1900	2146	2088	2276
<b>969</b> warm paldao, low sheen <input type="checkbox"/>	+\$1900	2146	2088	2276
<b>977</b> chocolate ash, low sheen <input type="checkbox"/>	+\$0	0	0	0
<b>978</b> natural oak <input type="checkbox"/>	+\$0	0	0	0
<b>981</b> champagne hickory (natural) <input type="checkbox"/>	+\$0	0	0	0
<b>98R</b> recograin rosewood <input type="checkbox"/>	+\$0	0	0	0

<b>991</b> champagne ash <input type="checkbox"/>	+\$0	0	0	0
<b>998</b> ebony ash <input type="checkbox"/>	+\$0	0	0	0
<b>99A</b> recograin frosty ash <input type="checkbox"/>	+\$0	0	0	0
<b>99R</b> recograin rosewood <input type="checkbox"/>	+\$0	0	0	0
<b>99T</b> recograin teak <input type="checkbox"/>	+\$0	0	0	0
<b>9A1</b> white ash, quarter cut, low sheen <input type="checkbox"/>	+\$0	0	0	0
<b>9K1</b> rift oak, rift cut, low sheen <input type="checkbox"/>	+\$0	0	0	0
<b>9K6</b> burnt oak, rift cut, low sheen <input type="checkbox"/>	+\$0	0	0	0
<b>ED</b> aged cherry <input type="checkbox"/>	+\$0	0	0	0
<b>EK</b> medium red walnut <input type="checkbox"/>	+\$0	0	0	0
<b>G2U</b> light brown walnut, low sheen <input type="checkbox"/>	+\$0	0	0	0
<b>G40</b> dark brown walnut, low sheen <input type="checkbox"/>	+\$0	0	0	0
<b>UX</b> walnut on cherry <input type="checkbox"/>	+\$0	0	0	0

# Sled Base Credenza Four Units Wide and Stone Top *continued*

Premium Veneer - Matte		-B2B2B2B2	-B2B2B3B4	-B2B2B4B4	-B4B4B4B4
<b>662</b>	toasted walnut, matte sheen <a href="#">A</a>	+\$0	0	0	0
<b>663</b>	charred walnut, matte sheen <a href="#">A</a>	+\$0	0	0	0
<b>664</b>	bronzed walnut, matte sheen <a href="#">A</a>	+\$0	0	0	0
<b>665</b>	smoked walnut, matte sheen <a href="#">A</a>	+\$0	0	0	0
<b>666</b>	coffee walnut, matte sheen <a href="#">A</a>	+\$0	0	0	0
<b>667</b>	smoked paldao, quarter cut, matte sheen <a href="#">A</a>	+\$1900	2146	2088	2276
<b>669</b>	warm paldao, quarter cut, matte sheen <a href="#">A</a>	+\$1900	2146	2088	2276
<b>66A</b>	recograin frosty ash <a href="#">A</a>	+\$0	0	0	0
<b>677</b>	chocolate ash, matte sheen <a href="#">A</a>	+\$0	0	0	0
<b>678</b>	natural oak <a href="#">A</a>	+\$0	0	0	0
<b>68R</b>	recograin rosewood <a href="#">A</a>	+\$0	0	0	0
<b>69A</b>	recograin frosty ash <a href="#">A</a>	+\$0	0	0	0
<b>69R</b>	recograin rosewood <a href="#">A</a>	+\$0	0	0	0
<b>69T</b>	recograin teak <a href="#">A</a>	+\$0	0	0	0
<b>6A1</b>	white ash <a href="#">A</a>	+\$0	0	0	0
<b>6K1</b>	rift oak <a href="#">A</a>	+\$0	0	0	0
<b>6K6</b>	burnt oak <a href="#">A</a>	+\$0	0	0	0
<b>ET</b>	clear on ash <a href="#">A</a>	+\$0	0	0	0
<b>EU</b>	oak on ash <a href="#">A</a>	+\$0	0	0	0
<b>EV</b>	walnut on ash <a href="#">A</a>	+\$0	0	0	0
<b>GOU</b>	natural walnut, flat cut, matte sheen <a href="#">A</a>	+\$0	0	0	0

RecoGrain Veneer		-B2B2B2B2	-B2B2B3B4	-B2B2B4B4	-B4B4B4B4
<b>66G</b>	recograin wenge <a href="#">A</a>	-\$634	-716	-696	-759
<b>68W</b>	recograin walnut, flat cut, matte sheen <a href="#">A</a>	-\$634	-716	-696	-759
<b>69G</b>	recograin wenge <a href="#">A</a>	-\$634	-716	-696	-759
<b>69K</b>	recograin oak, quarter cut, matte sheen <a href="#">A</a>	-\$634	-716	-696	-759
<b>69W</b>	recograin walnut, quarter cut, matte sheen <a href="#">A</a>	-\$634	-716	-696	-759

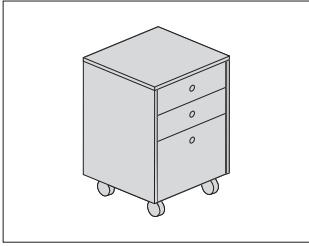
Recon Veneer -		-B2B2B2B2	-B2B2B3B4	-B2B2B4B4	-B4B4B4B4
<b>96G</b>	wenge recograin, quarter cut, low sheen <a href="#">A</a>	-\$634	-716	-696	-759
<b>98W</b>	recograin walnut, flat cut, low sheen <a href="#">A</a>	-\$634	-716	-696	-759
<b>99G</b>	recograin wenge, quarter cut, low sheen <a href="#">A</a>	-\$634	-716	-696	-759
<b>99K</b>	recograin oak, quarter cut, low sheen <a href="#">A</a>	-\$634	-716	-696	-759
<b>99W</b>	recograin walnut, quarter cut, low sheen <a href="#">A</a>	-\$634	-716	-696	-759

## Step 5. Stone or Marble Top

<b>200</b>	perfato marble <a href="#">A</a>	+\$0
<b>250</b>	verde antique marble <a href="#">A</a>	+\$0
<b>400</b>	black granite <a href="#">A</a>	+\$0
<b>5U</b>	georgia grey marble <a href="#">A</a>	+\$0
<b>800</b>	autumn brown granite <a href="#">A</a>	+\$0
<b>960</b>	white carrara marble <a href="#">A</a>	+\$0
<b>HR</b>	wisconsin black marble <a href="#">A</a>	+\$0

## Step 6. Metal Finish

<b>BNZ</b>	bronze <a href="#">A</a>	+\$0
<b>CHR</b>	chrome <a href="#">A</a>	+\$0
<b>SAC</b>	satin chrome <a href="#">A</a>	+\$0



**Product Information**

**Description**

This one-unit wide mobile pedestal has a wood top with metal frame. The casters are black with a silver yoke and no brake. Drawers include wood boxes and self-closing hidden drawer slides. Ward Bennett Flip Pull comes in matching metal finish.

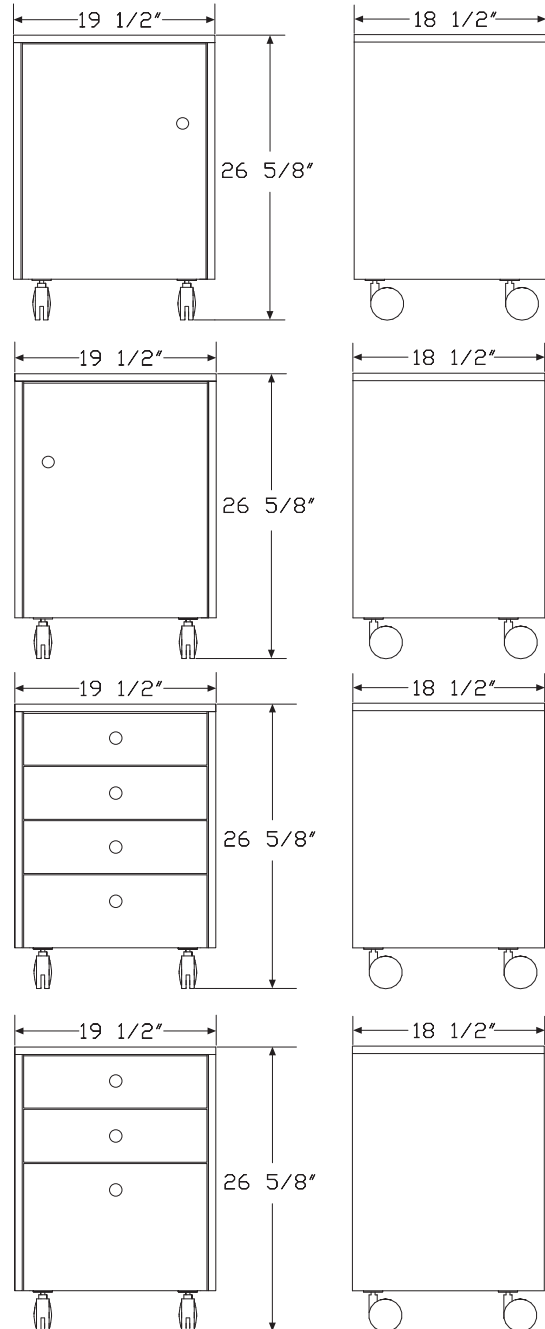
**Notes**

Mobile credenzas ship assembled.

B3 and B4 box drawers include pencil tray and felt lining in bottom of top drawer.

Santos palisander veneer is celebrated for its unique grain and color variations. Similar products ordered in multiples or dissimilar products ordered separately should be expected to have variation in both grain and color characteristics; no two products will look exactly alike.

**Dimensions**



Sled Base Mobile Pedestal *continued*

**Specification Information**

Step 1.

**JMS1** A

Step 2. Size

**-1920** 18<sup>1</sup>/<sub>2</sub>" deep x 19<sup>1</sup>/<sub>2</sub>" wide x 26<sup>5</sup>/<sub>8</sub>" high A

Step 3. Configuration

**-B2L** single door, hinged left A

**-B2R** single door, hinged right A

**-B3** four box drawer A

**-B4** box, box, file A

Prices for Steps 1-3.

<b>JMS1-1920 -B2L</b>	\$3006
<b>-B2R</b>	\$3006
<b>-B3</b>	\$4020
<b>-B4</b>	\$3632

Step 4. Wood Finish

Premium Veneer - Low Sheen

	<b>-B2L</b>	<b>-B2R</b>	<b>-B3</b>	<b>-B4</b>
<b>931</b> champagne anigre (natural) <span style="border: 1px solid black; padding: 0 2px;">A</span>	+\$550	550	736	665
<b>932</b> sundance anigre <span style="border: 1px solid black; padding: 0 2px;">A</span>	+\$550	550	736	665
<b>933</b> caramel anigre <span style="border: 1px solid black; padding: 0 2px;">A</span>	+\$550	550	736	665
<b>934</b> henna anigre <span style="border: 1px solid black; padding: 0 2px;">A</span>	+\$550	550	736	665
<b>941</b> natural beech <span style="border: 1px solid black; padding: 0 2px;">A</span>	+\$0	0	0	0
<b>942</b> sundance cherry (natural) <span style="border: 1px solid black; padding: 0 2px;">A</span>	+\$0	0	0	0
<b>943</b> caramel cherry <span style="border: 1px solid black; padding: 0 2px;">A</span>	+\$0	0	0	0
<b>946</b> cocoa cherry <span style="border: 1px solid black; padding: 0 2px;">A</span>	+\$0	0	0	0
<b>951</b> natural anigre <span style="border: 1px solid black; padding: 0 2px;">A</span>	+\$1203	1203	1608	1454
<b>956</b> cocoa sapele <span style="border: 1px solid black; padding: 0 2px;">A</span>	+\$0	0	0	0
<b>962</b> toasted walnut, low sheen <span style="border: 1px solid black; padding: 0 2px;">A</span>	+\$0	0	0	0
<b>963</b> charred walnut, low sheen <span style="border: 1px solid black; padding: 0 2px;">A</span>	+\$0	0	0	0
<b>964</b> bronzed walnut, low sheen <span style="border: 1px solid black; padding: 0 2px;">A</span>	+\$0	0	0	0
<b>965</b> smoked walnut, low sheen <span style="border: 1px solid black; padding: 0 2px;">A</span>	+\$0	0	0	0
<b>966</b> coffee walnut, low sheen <span style="border: 1px solid black; padding: 0 2px;">A</span>	+\$0	0	0	0
<b>967</b> smoked paldao, low sheen <span style="border: 1px solid black; padding: 0 2px;">A</span>	+\$451	451	603	545
<b>969</b> warm paldao, low sheen <span style="border: 1px solid black; padding: 0 2px;">A</span>	+\$451	451	603	545
<b>977</b> chocolate ash, low sheen <span style="border: 1px solid black; padding: 0 2px;">A</span>	+\$0	0	0	0
<b>978</b> natural oak <span style="border: 1px solid black; padding: 0 2px;">A</span>	+\$0	0	0	0
<b>981</b> champagne hickory (natural) <span style="border: 1px solid black; padding: 0 2px;">A</span>	+\$0	0	0	0
<b>98R</b> recograin rosewood <span style="border: 1px solid black; padding: 0 2px;">A</span>	+\$0	0	0	0

<b>991</b> champagne ash <span style="border: 1px solid black; padding: 0 2px;">A</span>	+\$0	0	0	0
<b>998</b> ebony ash <span style="border: 1px solid black; padding: 0 2px;">A</span>	+\$0	0	0	0
<b>99A</b> recograin frosty ash <span style="border: 1px solid black; padding: 0 2px;">A</span>	+\$0	0	0	0
<b>99R</b> recograin rosewood <span style="border: 1px solid black; padding: 0 2px;">A</span>	+\$0	0	0	0
<b>99T</b> recograin teak <span style="border: 1px solid black; padding: 0 2px;">A</span>	+\$0	0	0	0
<b>9A1</b> white ash, quarter cut, low sheen <span style="border: 1px solid black; padding: 0 2px;">A</span>	+\$0	0	0	0
<b>9K1</b> rift oak, rift cut, low sheen <span style="border: 1px solid black; padding: 0 2px;">A</span>	+\$0	0	0	0
<b>9K6</b> burnt oak, rift cut, low sheen <span style="border: 1px solid black; padding: 0 2px;">A</span>	+\$0	0	0	0
<b>ED</b> aged cherry <span style="border: 1px solid black; padding: 0 2px;">A</span>	+\$0	0	0	0
<b>EK</b> medium red walnut <span style="border: 1px solid black; padding: 0 2px;">A</span>	+\$0	0	0	0
<b>G2U</b> light brown walnut, low sheen <span style="border: 1px solid black; padding: 0 2px;">A</span>	+\$0	0	0	0
<b>G40</b> dark brown walnut, low sheen <span style="border: 1px solid black; padding: 0 2px;">A</span>	+\$0	0	0	0
<b>UX</b> walnut on cherry <span style="border: 1px solid black; padding: 0 2px;">A</span>	+\$0	0	0	0

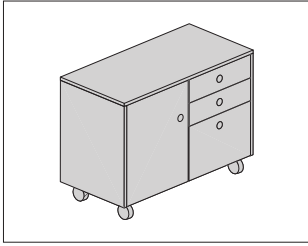
Sled Base Mobile Pedestal *continued*

Premium Veneer - Matte		-B2L	-B2R	-B3	-B4
662	toasted walnut, matte sheen <a href="#">A</a>	+\$0	0	0	0
663	charred walnut, matte sheen <a href="#">A</a>	+\$0	0	0	0
664	bronzed walnut, matte sheen <a href="#">A</a>	+\$0	0	0	0
665	smoked walnut, matte sheen <a href="#">A</a>	+\$0	0	0	0
666	coffee walnut, matte sheen <a href="#">A</a>	+\$0	0	0	0
667	smoked paldao, quarter cut, matte sheen <a href="#">A</a>	+\$451	451	603	545
669	warm paldao, quarter cut, matte sheen <a href="#">A</a>	+\$451	451	603	545
66A	recograin frosty ash <a href="#">A</a>	+\$0	0	0	0
677	chocolate ash, matte sheen <a href="#">A</a>	+\$0	0	0	0
678	natural oak <a href="#">A</a>	+\$0	0	0	0
68R	recograin rosewood <a href="#">A</a>	+\$0	0	0	0
69A	recograin frosty ash <a href="#">A</a>	+\$0	0	0	0
69R	recograin rosewood <a href="#">A</a>	+\$0	0	0	0
69T	recograin teak <a href="#">A</a>	+\$0	0	0	0
6A1	white ash <a href="#">A</a>	+\$0	0	0	0
6K1	rift oak <a href="#">A</a>	+\$0	0	0	0
6K6	burnt oak <a href="#">A</a>	+\$0	0	0	0
ET	clear on ash <a href="#">A</a>	+\$0	0	0	0
EU	oak on ash <a href="#">A</a>	+\$0	0	0	0
EV	walnut on ash <a href="#">A</a>	+\$0	0	0	0
GOU	natural walnut, flat cut, matte sheen <a href="#">A</a>	+\$0	0	0	0

RecoGrain Veneer		-B2L	-B2R	-B3	-B4
66G	recograin wenge <a href="#">A</a>	-\$151	-151	-201	-182
68W	recograin walnut, flat cut, matte sheen <a href="#">A</a>	-\$151	-151	-201	-182
69G	recograin wenge <a href="#">A</a>	-\$151	-151	-201	-182
69K	recograin oak, quarter cut, matte sheen <a href="#">A</a>	-\$151	-151	-201	-182
69W	recograin walnut, quarter cut, matte sheen <a href="#">A</a>	-\$151	-151	-201	-182

Recon Veneer -		-B2L	-B2R	-B3	-B4
96G	wenge recograin, quarter cut, low sheen <a href="#">A</a>	-\$151	-151	-201	-182
98W	recograin walnut, flat cut, low sheen <a href="#">A</a>	-\$151	-151	-201	-182
99G	recograin wenge, quarter cut, low sheen <a href="#">A</a>	-\$151	-151	-201	-182
99K	recograin oak, quarter cut, low sheen <a href="#">A</a>	-\$151	-151	-201	-182
99W	recograin walnut, quarter cut, low sheen <a href="#">A</a>	-\$151	-151	-201	-182

Step 5. Metal Finish			
BNZ	bronze <a href="#">A</a>		+\$0
CHR	chrome <a href="#">A</a>		+\$0
SAC	satin chrome <a href="#">A</a>		+\$0



**Product Information**

**Description**

This two-unit wide mobile pedestal has a wood top with metal frame. The casters are black with a silver yoke and no brake. Drawers include wood boxes and self-closing hidden drawer slides. Ward Bennett Flip pulls come in matching metal finish.

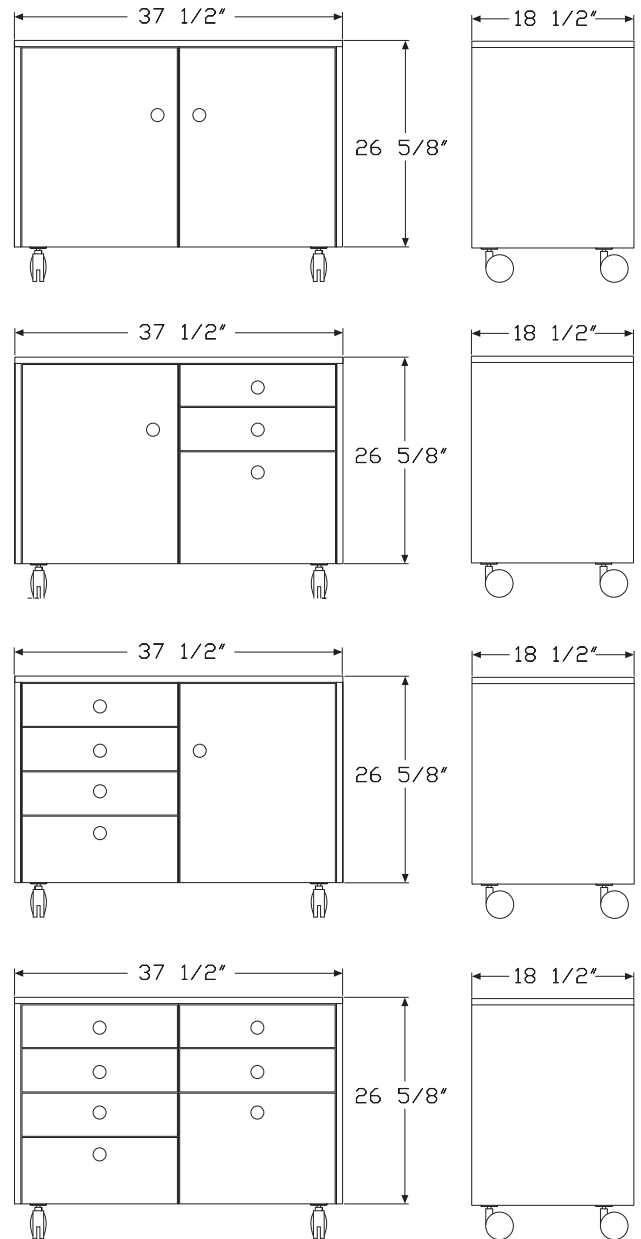
**Notes**

Mobile credenzas ship assembled.

B3 and B4 box drawers include pencil tray and felt lining in bottom of top drawer.

Santos palisander veneer is celebrated for its unique grain and color variations. Similar products ordered in multiples or dissimilar products ordered separately should be expected to have variation in both grain and color characteristics; no two products will look exactly alike.

**Dimensions**



HermanMiller Collection—Storage

Sled Base Mobile Credenza *continued*

Specification Information	
Step 1.	
<b>JMS2</b> <span style="border: 1px solid black; padding: 0 2px;">A</span>	
Step 2. Size	
<b>-1938</b>	18 <sup>1</sup> / <sub>2</sub> " deep x 37 <sup>1</sup> / <sub>2</sub> " wide x 26 <sup>5</sup> / <sub>8</sub> " high <span style="border: 1px solid black; padding: 0 2px;">A</span>
Step 3. Configuration	
<b>-B2B2</b>	two doors <span style="border: 1px solid black; padding: 0 2px;">A</span>
<b>-B2B4</b>	single door left, BBF right <span style="border: 1px solid black; padding: 0 2px;">A</span>
<b>-B3B2</b>	four drawers left, single door right <span style="border: 1px solid black; padding: 0 2px;">A</span>
<b>-B3B4</b>	four drawers left, BBF right <span style="border: 1px solid black; padding: 0 2px;">A</span>
Prices for Steps 1-3.	
<b>JMS2-1938 -B2B2</b>	\$5034
<b>-B2B4</b>	\$5661
<b>-B3B2</b>	\$6049
<b>-B3B4</b>	\$6676

Step 4. Wood Finish

Premium Veneer - Low Sheen					
		<b>-B2B2</b>	<b>-B2B4</b>	<b>-B3B2</b>	<b>-B3B4</b>
<b>931</b>	champagne anigre (natural) <span style="border: 1px solid black; padding: 0 2px;">A</span>	+\$922	1036	1107	1222
<b>932</b>	sundance anigre <span style="border: 1px solid black; padding: 0 2px;">A</span>	+\$922	1036	1107	1222
<b>933</b>	caramel anigre <span style="border: 1px solid black; padding: 0 2px;">A</span>	+\$922	1036	1107	1222
<b>934</b>	henna anigre <span style="border: 1px solid black; padding: 0 2px;">A</span>	+\$922	1036	1107	1222
<b>941</b>	natural beech <span style="border: 1px solid black; padding: 0 2px;">A</span>	+\$0	0	0	0
<b>942</b>	sundance cherry (natural) <span style="border: 1px solid black; padding: 0 2px;">A</span>	+\$0	0	0	0
<b>943</b>	caramel cherry <span style="border: 1px solid black; padding: 0 2px;">A</span>	+\$0	0	0	0
<b>946</b>	cocoa cherry <span style="border: 1px solid black; padding: 0 2px;">A</span>	+\$0	0	0	0
<b>951</b>	natural anigre <span style="border: 1px solid black; padding: 0 2px;">A</span>	+\$2014	2265	2420	2671
<b>956</b>	cocoa sapele <span style="border: 1px solid black; padding: 0 2px;">A</span>	+\$0	0	0	0
<b>962</b>	toasted walnut, low sheen <span style="border: 1px solid black; padding: 0 2px;">A</span>	+\$0	0	0	0
<b>963</b>	charred walnut, low sheen <span style="border: 1px solid black; padding: 0 2px;">A</span>	+\$0	0	0	0
<b>964</b>	bronzed walnut, low sheen <span style="border: 1px solid black; padding: 0 2px;">A</span>	+\$0	0	0	0
<b>965</b>	smoked walnut, low sheen <span style="border: 1px solid black; padding: 0 2px;">A</span>	+\$0	0	0	0
<b>966</b>	coffee walnut, low sheen <span style="border: 1px solid black; padding: 0 2px;">A</span>	+\$0	0	0	0
<b>967</b>	smoked paldao, low sheen <span style="border: 1px solid black; padding: 0 2px;">A</span>	+\$756	850	908	1002
<b>969</b>	warm paldao, low sheen <span style="border: 1px solid black; padding: 0 2px;">A</span>	+\$756	850	908	1002
<b>977</b>	chocolate ash, low sheen <span style="border: 1px solid black; padding: 0 2px;">A</span>	+\$0	0	0	0
<b>978</b>	natural oak <span style="border: 1px solid black; padding: 0 2px;">A</span>	+\$0	0	0	0
<b>981</b>	champagne hickory (natural) <span style="border: 1px solid black; padding: 0 2px;">A</span>	+\$0	0	0	0
<b>98R</b>	recograin rosewood <span style="border: 1px solid black; padding: 0 2px;">A</span>	+\$0	0	0	0

<b>991</b>	champagne ash <span style="border: 1px solid black; padding: 0 2px;">A</span>	+\$0	0	0	0
<b>998</b>	ebony ash <span style="border: 1px solid black; padding: 0 2px;">A</span>	+\$0	0	0	0
<b>99A</b>	recograin frosty ash <span style="border: 1px solid black; padding: 0 2px;">A</span>	+\$0	0	0	0
<b>99R</b>	recograin rosewood <span style="border: 1px solid black; padding: 0 2px;">A</span>	+\$0	0	0	0
<b>99T</b>	recograin teak <span style="border: 1px solid black; padding: 0 2px;">A</span>	+\$0	0	0	0
<b>9A1</b>	white ash, quarter cut, low sheen <span style="border: 1px solid black; padding: 0 2px;">A</span>	+\$0	0	0	0
<b>9K1</b>	rift oak, rift cut, low sheen <span style="border: 1px solid black; padding: 0 2px;">A</span>	+\$0	0	0	0
<b>9K6</b>	burnt oak, rift cut, low sheen <span style="border: 1px solid black; padding: 0 2px;">A</span>	+\$0	0	0	0
<b>ED</b>	aged cherry <span style="border: 1px solid black; padding: 0 2px;">A</span>	+\$0	0	0	0
<b>EK</b>	medium red walnut <span style="border: 1px solid black; padding: 0 2px;">A</span>	+\$0	0	0	0
<b>G2U</b>	light brown walnut, low sheen <span style="border: 1px solid black; padding: 0 2px;">A</span>	+\$0	0	0	0
<b>G40</b>	dark brown walnut, low sheen <span style="border: 1px solid black; padding: 0 2px;">A</span>	+\$0	0	0	0
<b>UX</b>	walnut on cherry <span style="border: 1px solid black; padding: 0 2px;">A</span>	+\$0	0	0	0



Sled Base Mobile Credenza *continued*

Premium Veneer - Matte		-B2B2	-B2B4	-B3B2	-B3B4
662	toasted walnut, matte sheen <a href="#">A</a>	+\$0	0	0	0
663	charred walnut, matte sheen <a href="#">A</a>	+\$0	0	0	0
664	bronzed walnut, matte sheen <a href="#">A</a>	+\$0	0	0	0
665	smoked walnut, matte sheen <a href="#">A</a>	+\$0	0	0	0
666	coffee walnut, matte sheen <a href="#">A</a>	+\$0	0	0	0
667	smoked paldao, quarter cut, matte sheen <a href="#">A</a>	+\$756	850	908	1002
669	warm paldao, quarter cut, matte sheen <a href="#">A</a>	+\$756	850	908	1002
66A	recograin frosty ash <a href="#">A</a>	+\$0	0	0	0
677	chocolate ash, matte sheen <a href="#">A</a>	+\$0	0	0	0
678	natural oak <a href="#">A</a>	+\$0	0	0	0
68R	recograin rosewood <a href="#">A</a>	+\$0	0	0	0
69A	recograin frosty ash <a href="#">A</a>	+\$0	0	0	0
69R	recograin rosewood <a href="#">A</a>	+\$0	0	0	0
69T	recograin teak <a href="#">A</a>	+\$0	0	0	0
6A1	white ash <a href="#">A</a>	+\$0	0	0	0
6K1	rift oak <a href="#">A</a>	+\$0	0	0	0
6K6	burnt oak <a href="#">A</a>	+\$0	0	0	0
ET	clear on ash <a href="#">A</a>	+\$0	0	0	0
EU	oak on ash <a href="#">A</a>	+\$0	0	0	0
EV	walnut on ash <a href="#">A</a>	+\$0	0	0	0
GOU	natural walnut, flat cut, matte sheen <a href="#">A</a>	+\$0	0	0	0

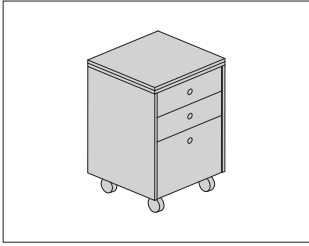
RecoGrain Veneer		-B2B2	-B2B4	-B3B2	-B3B4
66G	recograin wenge <a href="#">A</a>	-\$252	-284	-303	-334
68W	recograin walnut, flat cut, matte sheen <a href="#">A</a>	-\$252	-284	-303	-334
69G	recograin wenge <a href="#">A</a>	-\$252	-284	-303	-334
69K	recograin oak, quarter cut, matte sheen <a href="#">A</a>	-\$252	-284	-303	-334
69W	recograin walnut, quarter cut, matte sheen <a href="#">A</a>	-\$252	-284	-303	-334

Recon Veneer -		-B2B2	-B2B4	-B3B2	-B3B4
96G	wenge recograin, quarter cut, low sheen <a href="#">A</a>	-\$252	-284	-303	-334
98W	recograin walnut, flat cut, low sheen <a href="#">A</a>	-\$252	-284	-303	-334
99G	recograin wenge, quarter cut, low sheen <a href="#">A</a>	-\$252	-284	-303	-334
99K	recograin oak, quarter cut, low sheen <a href="#">A</a>	-\$252	-284	-303	-334
99W	recograin walnut, quarter cut, low sheen <a href="#">A</a>	-\$252	-284	-303	-334

Step 5. Metal Finish			
BNZ	bronze <a href="#">A</a>		+\$0
CHR	chrome <a href="#">A</a>		+\$0
SAC	satin chrome <a href="#">A</a>		+\$0

HermanMiller Collection—Storage

Sled Base Mobile Pedestal Stone Top JMS1S  
Top



HermanMiller Collection—Storage

**Product Information**

**Description**

This one-unit wide mobile pedestal has a stone top with metal frame. Drawers include wood boxes and self-closing hidden drawer slides. The casters are black with a silver yoke and no brake. Ward Bennett Flip pull comes in matching metal finish.

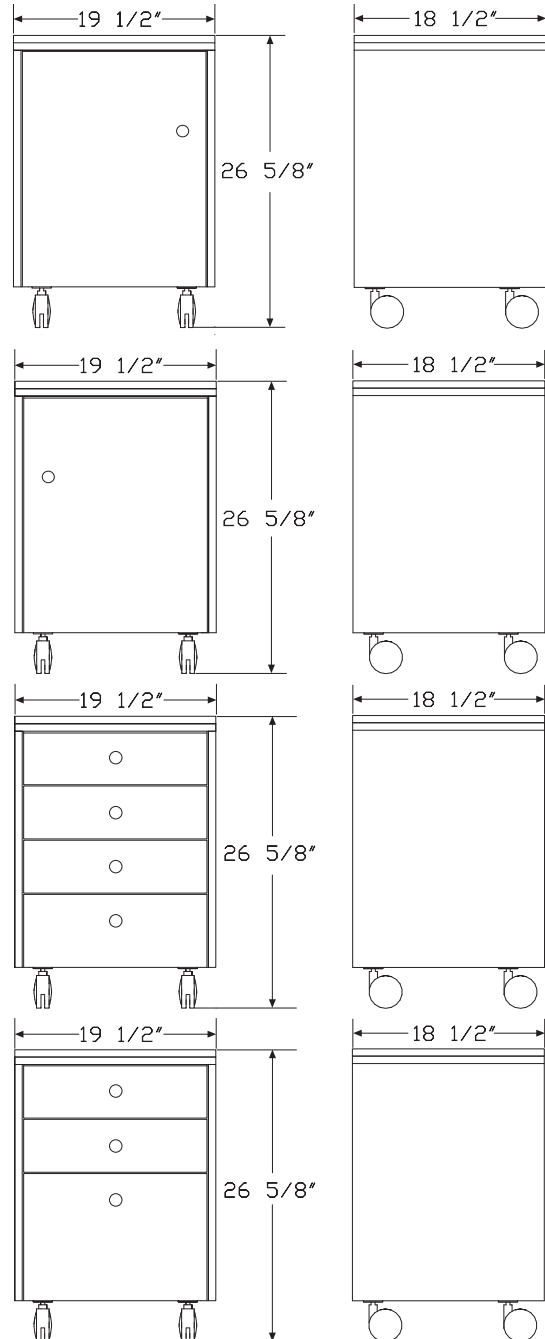
**Notes**

Mobile credenzas ship assembled.

B3 and B4 box drawers include pencil tray and felt lining in bottom of top drawer.

Santos palisander veneer is celebrated for its unique grain and color variations. Similar products ordered in multiples or dissimilar products ordered separately should be expected to have variation in both grain and color characteristics; no two products will look exactly alike.

**Dimensions**



# Sled Base Mobile Pedestal Stone

Top *continued*

## Specification Information

Step 1.

**JMS1S** A

Step 2. Size

**-1920** 18<sup>1</sup>/<sub>2</sub>" deep x 19<sup>1</sup>/<sub>2</sub>" wide x 26<sup>5</sup>/<sub>8</sub>" high A

Step 3. Configuration

**-B2L** single door, hinged left A

**-B2R** single door, hinged right A

**-B3** four box drawer A

**-B4** box, box, file A

Prices for Steps 1-3.

	<b>-B2L</b>	<b>-B2R</b>	<b>-B3</b>	<b>-B4</b>
<b>JMS1S -1920</b>	\$3983	3983	4996	4609

Step 4. Wood Finish

Premium Veneer - Low Sheen

	<b>-B2L</b>	<b>-B2R</b>	<b>-B3</b>	<b>-B4</b>
<b>931</b> champagne anigre (natural) <span style="border: 1px solid black; padding: 0 2px;">A</span>	+\$729	729	915	844
<b>932</b> sundance anigre <span style="border: 1px solid black; padding: 0 2px;">A</span>	+\$729	729	915	844
<b>933</b> caramel anigre <span style="border: 1px solid black; padding: 0 2px;">A</span>	+\$729	729	915	844
<b>934</b> henna anigre <span style="border: 1px solid black; padding: 0 2px;">A</span>	+\$729	729	915	844
<b>941</b> natural beech <span style="border: 1px solid black; padding: 0 2px;">A</span>	+\$0	0	0	0
<b>942</b> sundance cherry (natural) <span style="border: 1px solid black; padding: 0 2px;">A</span>	+\$0	0	0	0
<b>943</b> caramel cherry <span style="border: 1px solid black; padding: 0 2px;">A</span>	+\$0	0	0	0
<b>946</b> cocoa cherry <span style="border: 1px solid black; padding: 0 2px;">A</span>	+\$0	0	0	0
<b>951</b> natural anigre <span style="border: 1px solid black; padding: 0 2px;">A</span>	+\$1594	1594	1999	1844
<b>956</b> cocoa sapele <span style="border: 1px solid black; padding: 0 2px;">A</span>	+\$0	0	0	0
<b>962</b> toasted walnut, low sheen <span style="border: 1px solid black; padding: 0 2px;">A</span>	+\$0	0	0	0
<b>963</b> charred walnut, low sheen <span style="border: 1px solid black; padding: 0 2px;">A</span>	+\$0	0	0	0
<b>964</b> bronzed walnut, low sheen <span style="border: 1px solid black; padding: 0 2px;">A</span>	+\$0	0	0	0
<b>965</b> smoked walnut, low sheen <span style="border: 1px solid black; padding: 0 2px;">A</span>	+\$0	0	0	0
<b>966</b> coffee walnut, low sheen <span style="border: 1px solid black; padding: 0 2px;">A</span>	+\$0	0	0	0
<b>967</b> smoked paldao, low sheen <span style="border: 1px solid black; padding: 0 2px;">A</span>	+\$598	598	750	692
<b>969</b> warm paldao, low sheen <span style="border: 1px solid black; padding: 0 2px;">A</span>	+\$598	598	750	692
<b>977</b> chocolate ash, low sheen <span style="border: 1px solid black; padding: 0 2px;">A</span>	+\$0	0	0	0
<b>978</b> natural oak <span style="border: 1px solid black; padding: 0 2px;">A</span>	+\$0	0	0	0
<b>981</b> champagne hickory (natural) <span style="border: 1px solid black; padding: 0 2px;">A</span>	+\$0	0	0	0
<b>98R</b> recograin rosewood <span style="border: 1px solid black; padding: 0 2px;">A</span>	+\$0	0	0	0
<b>991</b> champagne ash <span style="border: 1px solid black; padding: 0 2px;">A</span>	+\$0	0	0	0
<b>998</b> ebony ash <span style="border: 1px solid black; padding: 0 2px;">A</span>	+\$0	0	0	0

<b>99A</b>	recograin frosty ash <span style="border: 1px solid black; padding: 0 2px;">A</span>	+\$0	0	0	0
<b>99R</b>	recograin rosewood <span style="border: 1px solid black; padding: 0 2px;">A</span>	+\$0	0	0	0
<b>99T</b>	recograin teak <span style="border: 1px solid black; padding: 0 2px;">A</span>	+\$0	0	0	0
<b>9A1</b>	white ash, quarter cut, low sheen <span style="border: 1px solid black; padding: 0 2px;">A</span>	+\$0	0	0	0
<b>9K1</b>	rift oak, rift cut, low sheen <span style="border: 1px solid black; padding: 0 2px;">A</span>	+\$0	0	0	0
<b>9K6</b>	burnt oak, rift cut, low sheen <span style="border: 1px solid black; padding: 0 2px;">A</span>	+\$0	0	0	0
<b>ED</b>	aged cherry <span style="border: 1px solid black; padding: 0 2px;">A</span>	+\$0	0	0	0
<b>EK</b>	medium red walnut <span style="border: 1px solid black; padding: 0 2px;">A</span>	+\$0	0	0	0
<b>G2U</b>	light brown walnut, low sheen <span style="border: 1px solid black; padding: 0 2px;">A</span>	+\$0	0	0	0
<b>G40</b>	dark brown walnut, low sheen <span style="border: 1px solid black; padding: 0 2px;">A</span>	+\$0	0	0	0
<b>UX</b>	walnut on cherry <span style="border: 1px solid black; padding: 0 2px;">A</span>	+\$0	0	0	0

# Sled Base Mobile Pedestal Stone

Top *continued*

HermanMiller Collection—Storage

Premium Veneer - Matte		-B2L	-B2R	-B3	-B4
662	toasted walnut, matte sheen <a href="#">A</a>	+\$0	0	0	0
663	charred walnut, matte sheen <a href="#">A</a>	+\$0	0	0	0
664	bronzed walnut, matte sheen <a href="#">A</a>	+\$0	0	0	0
665	smoked walnut, matte sheen <a href="#">A</a>	+\$0	0	0	0
666	coffee walnut, matte sheen <a href="#">A</a>	+\$0	0	0	0
667	smoked paldao, quarter cut, matte sheen <a href="#">A</a>	+\$598	598	750	692
669	warm paldao, quarter cut, matte sheen <a href="#">A</a>	+\$598	598	750	692
66A	recograin frosty ash <a href="#">A</a>	+\$0	0	0	0
677	chocolate ash, matte sheen <a href="#">A</a>	+\$0	0	0	0
678	natural oak <a href="#">A</a>	+\$0	0	0	0
68R	recograin rosewood <a href="#">A</a>	+\$0	0	0	0
69A	recograin frosty ash <a href="#">A</a>	+\$0	0	0	0
69R	recograin rosewood <a href="#">A</a>	+\$0	0	0	0
69T	recograin teak <a href="#">A</a>	+\$0	0	0	0
6A1	white ash <a href="#">A</a>	+\$0	0	0	0
6K1	rift oak <a href="#">A</a>	+\$0	0	0	0
6K6	burnt oak <a href="#">A</a>	+\$0	0	0	0
ET	clear on ash <a href="#">A</a>	+\$0	0	0	0
EU	oak on ash <a href="#">A</a>	+\$0	0	0	0
EV	walnut on ash <a href="#">A</a>	+\$0	0	0	0
GOU	natural walnut, flat cut, matte sheen <a href="#">A</a>	+\$0	0	0	0

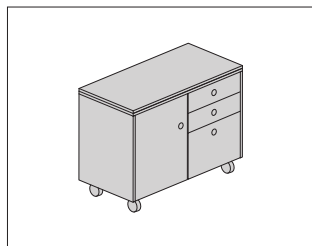
RecoGrain Veneer		-B2L	-B2R	-B3	-B4
66G	recograin wenge <a href="#">A</a>	-\$200	-200	-250	-231
68W	recograin walnut, flat cut, matte sheen <a href="#">A</a>	-\$200	-200	-250	-231
69G	recograin wenge <a href="#">A</a>	-\$200	-200	-250	-231
69K	recograin oak, quarter cut, matte sheen <a href="#">A</a>	-\$200	-200	-250	-231
69W	recograin walnut, quarter cut, matte sheen <a href="#">A</a>	-\$200	-200	-250	-231

Recon Veneer -		-B2L	-B2R	-B3	-B4
96G	wenge recograin, quarter cut, low sheen <a href="#">A</a>	-\$200	-200	-250	-231
98W	recograin walnut, flat cut, low sheen <a href="#">A</a>	-\$200	-200	-250	-231
99G	recograin wenge, quarter cut, low sheen <a href="#">A</a>	-\$200	-200	-250	-231
99K	recograin oak, quarter cut, low sheen <a href="#">A</a>	-\$200	-200	-250	-231
99W	recograin walnut, quarter cut, low sheen <a href="#">A</a>	-\$200	-200	-250	-231

Step 5. Stone or Marble Top		
200	perfato marble <a href="#">A</a>	+\$0
250	verde antique marble <a href="#">A</a>	+\$0
400	black granite <a href="#">A</a>	+\$0
5U	georgia grey marble <a href="#">A</a>	+\$0
800	autumn brown granite <a href="#">A</a>	+\$0
960	white carrara marble <a href="#">A</a>	+\$0
HR	wisconsin black marble <a href="#">A</a>	+\$0

Step 6. Metal Finish		
BNZ	bronze <a href="#">A</a>	+\$0
CHR	chrome <a href="#">A</a>	+\$0
SAC	satin chrome <a href="#">A</a>	+\$0

# Sled Base Mobile Credenza Stone Top JMS2S



## Product Information

### Description

This two-unit wide mobile pedestal has a stone top with metal frame. The casters are black with a silver yoke and no brake. Drawers include wood boxes and self-closing hidden drawer slides. Ward Bennett Flip pulls come in matching metal finish.

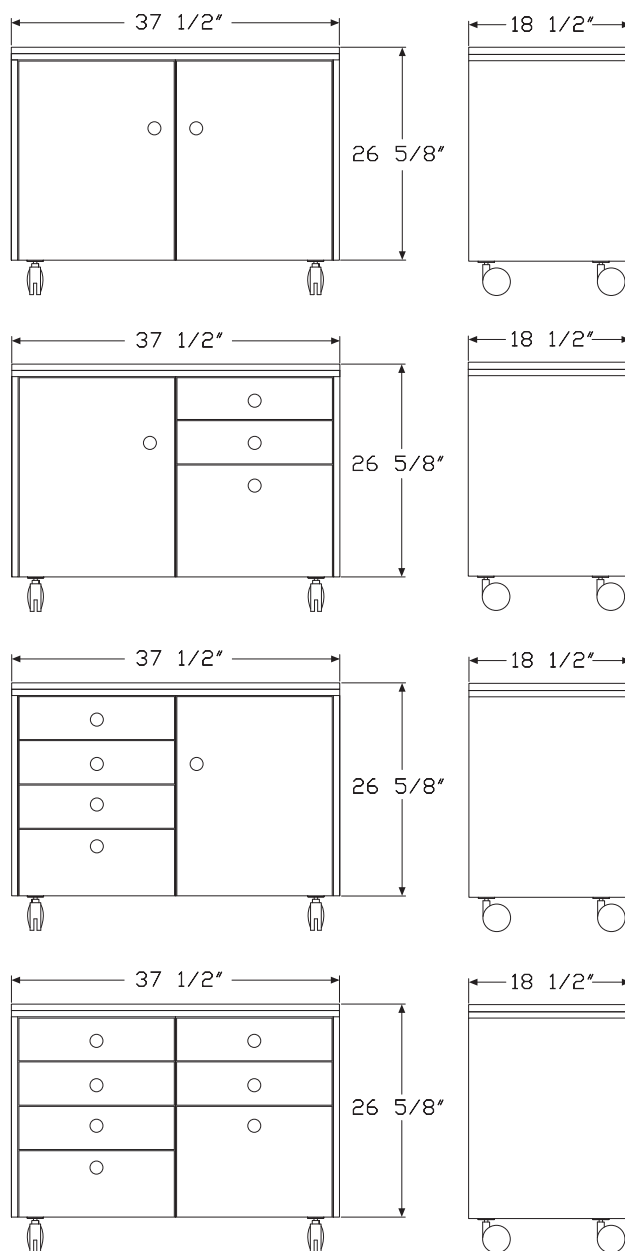
### Notes

Mobile credenzas ship assembled.

B3 and B4 box drawers include pencil tray and felt lining in bottom of top drawer.

Santos palisander veneer is celebrated for its unique grain and color variations. Similar products ordered in multiples or dissimilar products ordered separately should be expected to have variation in both grain and color characteristics; no two products will look exactly alike.

## Dimensions



# Sled Base Mobile Credenza Stone

Top *continued*

HermanMiller Collection—Storage

Specification Information					
Step 1.					
<b>JMS2S</b> <input type="checkbox"/>					
Step 2. Size					
<b>-1938</b>	18 <sup>1</sup> / <sub>2</sub> " deep x 37 <sup>1</sup> / <sub>2</sub> " wide x 26 <sup>5</sup> / <sub>8</sub> " high	<input type="checkbox"/>			
Step 3. Configuration					
<b>-B2B2</b>	two doors	<input type="checkbox"/>			
<b>-B2B4</b>	single door left, BBF right	<input type="checkbox"/>			
<b>-B3B2</b>	four drawers left, single door right	<input type="checkbox"/>			
<b>-B3B4</b>	four drawers left, BBF right	<input type="checkbox"/>			
Prices for Steps 1-3.					
		<b>-B2B2</b>	<b>-B2B4</b>	<b>-B3B2</b>	<b>-B3B4</b>
<b>JMS2S -1938</b>		\$6988	7614	8002	8628

Step 4. Wood Finish					
Premium Veneer - Low Sheen					
		<b>-B2B2</b>	<b>-B2B4</b>	<b>-B3B2</b>	<b>-B3B4</b>
<b>931</b>	champagne anigre (natural) <input type="checkbox"/>	+\$1279	1394	1465	1580
<b>932</b>	sundance anigre <input type="checkbox"/>	+\$1279	1394	1465	1580
<b>933</b>	caramel anigre <input type="checkbox"/>	+\$1279	1394	1465	1580
<b>934</b>	henna anigre <input type="checkbox"/>	+\$1279	1394	1465	1580
<b>941</b>	natural beech <input type="checkbox"/>	+\$0	0	0	0
<b>942</b>	sundance cherry (natural) <input type="checkbox"/>	+\$0	0	0	0
<b>943</b>	caramel cherry <input type="checkbox"/>	+\$0	0	0	0
<b>946</b>	cocoa cherry <input type="checkbox"/>	+\$0	0	0	0
<b>951</b>	natural anigre <input type="checkbox"/>	+\$2796	3046	3201	3452
<b>956</b>	cocoa sapele <input type="checkbox"/>	+\$0	0	0	0
<b>962</b>	toasted walnut, low sheen <input type="checkbox"/>	+\$0	0	0	0
<b>963</b>	charred walnut, low sheen <input type="checkbox"/>	+\$0	0	0	0
<b>964</b>	bronzed walnut, low sheen <input type="checkbox"/>	+\$0	0	0	0
<b>965</b>	smoked walnut, low sheen <input type="checkbox"/>	+\$0	0	0	0
<b>966</b>	coffee walnut, low sheen <input type="checkbox"/>	+\$0	0	0	0
<b>967</b>	smoked paldao, low sheen <input type="checkbox"/>	+\$1049	1143	1201	1295
<b>969</b>	warm paldao, low sheen <input type="checkbox"/>	+\$1049	1143	1201	1295
<b>977</b>	chocolate ash, low sheen <input type="checkbox"/>	+\$0	0	0	0
<b>978</b>	natural oak <input type="checkbox"/>	+\$0	0	0	0
<b>981</b>	champagne hickory (natural) <input type="checkbox"/>	+\$0	0	0	0
<b>98R</b>	recograin rosewood <input type="checkbox"/>	+\$0	0	0	0
<b>991</b>	champagne ash <input type="checkbox"/>	+\$0	0	0	0
<b>998</b>	ebony ash <input type="checkbox"/>	+\$0	0	0	0

<b>99A</b>	recograin frosty ash <input type="checkbox"/>	+\$0	0	0	0
<b>99R</b>	recograin rosewood <input type="checkbox"/>	+\$0	0	0	0
<b>99T</b>	recograin teak <input type="checkbox"/>	+\$0	0	0	0
<b>9A1</b>	white ash, quarter cut, low sheen <input type="checkbox"/>	+\$0	0	0	0
<b>9K1</b>	rift oak, rift cut, low sheen <input type="checkbox"/>	+\$0	0	0	0
<b>9K6</b>	burnt oak, rift cut, low sheen <input type="checkbox"/>	+\$0	0	0	0
<b>ED</b>	aged cherry <input type="checkbox"/>	+\$0	0	0	0
<b>EK</b>	medium red walnut <input type="checkbox"/>	+\$0	0	0	0
<b>G2U</b>	light brown walnut, low sheen <input type="checkbox"/>	+\$0	0	0	0
<b>G40</b>	dark brown walnut, low sheen <input type="checkbox"/>	+\$0	0	0	0
<b>UX</b>	walnut on cherry <input type="checkbox"/>	+\$0	0	0	0

# Sled Base Mobile Credenza Stone Top *continued*

Premium Veneer - Matte		-B2B2	-B2B4	-B3B2	-B3B4
<b>662</b>	toasted walnut, matte sheen <a href="#">A</a>	+\$0	0	0	0
<b>663</b>	charred walnut, matte sheen <a href="#">A</a>	+\$0	0	0	0
<b>664</b>	bronzed walnut, matte sheen <a href="#">A</a>	+\$0	0	0	0
<b>665</b>	smoked walnut, matte sheen <a href="#">A</a>	+\$0	0	0	0
<b>666</b>	coffee walnut, matte sheen <a href="#">A</a>	+\$0	0	0	0
<b>667</b>	smoked paldao, quarter cut, matte sheen <a href="#">A</a>	+\$1049	1143	1201	1295
<b>669</b>	warm paldao, quarter cut, matte sheen <a href="#">A</a>	+\$1049	1143	1201	1295
<b>66A</b>	recograin frosty ash <a href="#">A</a>	+\$0	0	0	0
<b>677</b>	chocolate ash, matte sheen <a href="#">A</a>	+\$0	0	0	0
<b>678</b>	natural oak <a href="#">A</a>	+\$0	0	0	0
<b>68R</b>	recograin rosewood <a href="#">A</a>	+\$0	0	0	0
<b>69A</b>	recograin frosty ash <a href="#">A</a>	+\$0	0	0	0
<b>69R</b>	recograin rosewood <a href="#">A</a>	+\$0	0	0	0
<b>69T</b>	recograin teak <a href="#">A</a>	+\$0	0	0	0
<b>6A1</b>	white ash <a href="#">A</a>	+\$0	0	0	0
<b>6K1</b>	rift oak <a href="#">A</a>	+\$0	0	0	0
<b>6K6</b>	burnt oak <a href="#">A</a>	+\$0	0	0	0
<b>ET</b>	clear on ash <a href="#">A</a>	+\$0	0	0	0
<b>EU</b>	oak on ash <a href="#">A</a>	+\$0	0	0	0
<b>EV</b>	walnut on ash <a href="#">A</a>	+\$0	0	0	0
<b>GOU</b>	natural walnut, flat cut, matte sheen <a href="#">A</a>	+\$0	0	0	0

RecoGrain Veneer		-B2B2	-B2B4	-B3B2	-B3B4
<b>66G</b>	recograin wenge <a href="#">A</a>	-\$350	-381	-401	-432
<b>68W</b>	recograin walnut, flat cut, matte sheen <a href="#">A</a>	-\$350	-381	-401	-432
<b>69G</b>	recograin wenge <a href="#">A</a>	-\$350	-381	-401	-432
<b>69K</b>	recograin oak, quarter cut, matte sheen <a href="#">A</a>	-\$350	-381	-401	-432
<b>69W</b>	recograin walnut, quarter cut, matte sheen <a href="#">A</a>	-\$350	-381	-401	-432

Recon Veneer -		-B2B2	-B2B4	-B3B2	-B3B4
<b>96G</b>	wenge recograin, quarter cut, low sheen <a href="#">A</a>	-\$350	-381	-401	-432
<b>98W</b>	recograin walnut, flat cut, low sheen <a href="#">A</a>	-\$350	-381	-401	-432
<b>99G</b>	recograin wenge, quarter cut, low sheen <a href="#">A</a>	-\$350	-381	-401	-432
<b>99K</b>	recograin oak, quarter cut, low sheen <a href="#">A</a>	-\$350	-381	-401	-432
<b>99W</b>	recograin walnut, quarter cut, low sheen <a href="#">A</a>	-\$350	-381	-401	-432

Step 5. Stone or Marble Top		
<b>200</b>	perfato marble <a href="#">A</a>	+\$0
<b>250</b>	verde antique marble <a href="#">A</a>	+\$0
<b>400</b>	black granite <a href="#">A</a>	+\$0
<b>5U</b>	georgia grey marble <a href="#">A</a>	+\$0
<b>800</b>	autumn brown granite <a href="#">A</a>	+\$0
<b>960</b>	white carrara marble <a href="#">A</a>	+\$0
<b>HR</b>	wisconsin black marble <a href="#">A</a>	+\$0

Step 6. Metal Finish		
<b>BNZ</b>	bronze <a href="#">A</a>	+\$0
<b>CHR</b>	chrome <a href="#">A</a>	+\$0
<b>SAC</b>	satin chrome <a href="#">A</a>	+\$0



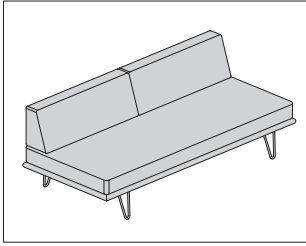






# Nelson™ Daybed

TE5088  
TE5089  
TE5090

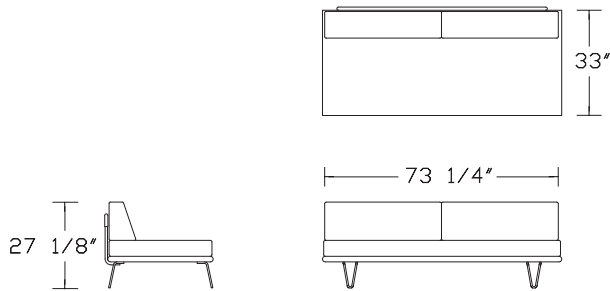


## Product Information

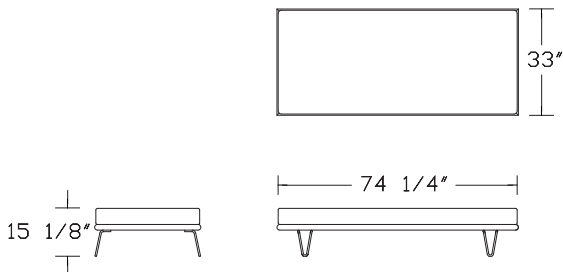
### Description

This daybed is available with a seat cushion only, 2 back bolsters with steel bolster supports, or 1 end bolster and bolster support. Leg options are 4 steel hairpin legs or 4 wood taper legs with black glides.

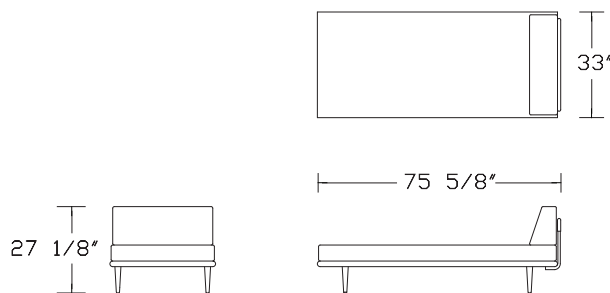
### Dimensions



2 Bolsters and Bolster Support



Daybed



End Bolster and Bolster Support

## Specification Information

### Step 1.

**TE50**

### Step 2. Configuration

- 88.** two bolsters and bolster support
- 89.** daybed
- 90.** end bolster and bolster support

### Step 3. Leg

- H** hairpin
- T** wood taper

### Prices for Steps 1-3.

<b>TE5088.</b>	<b>H</b>	\$3415
	<b>T</b>	\$3325
<b>TE5089.</b>	<b>H</b>	\$3015
	<b>T</b>	\$2925
<b>TE5090.</b>	<b>H</b>	\$3215
	<b>T</b>	\$3125

### Step 4. Frame

- OU** walnut  +\$0
- A2** white ash  +\$105

### Step 5. Leg Finish

#### For hairpin (H)

- SAC** satin chrome  +\$0

#### For wood taper (T)

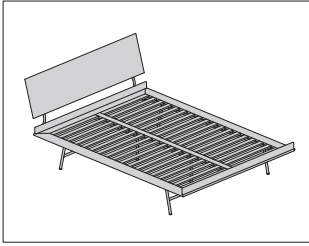
- OU** walnut  +\$0
- A2** white ash  +\$0

### Step 6. Fabric

	<b>88.</b>	<b>89.</b>	<b>90.</b>
Price Category E	+\$730	610	670
Price Category 2	+\$280	160	220
Price Category 5	+\$550	430	490
Price Category (Geiger) 7	+\$730	610	670
Price Category 10	+\$1000	880	940
Price Category 14	+\$1360	1240	1300

# Nelson™ Thin Edge Bed

TE5491  
TE5492  
TE5493  
TE5494  
TE5495



HermanMiller Collection—Bedroom

## Product Information

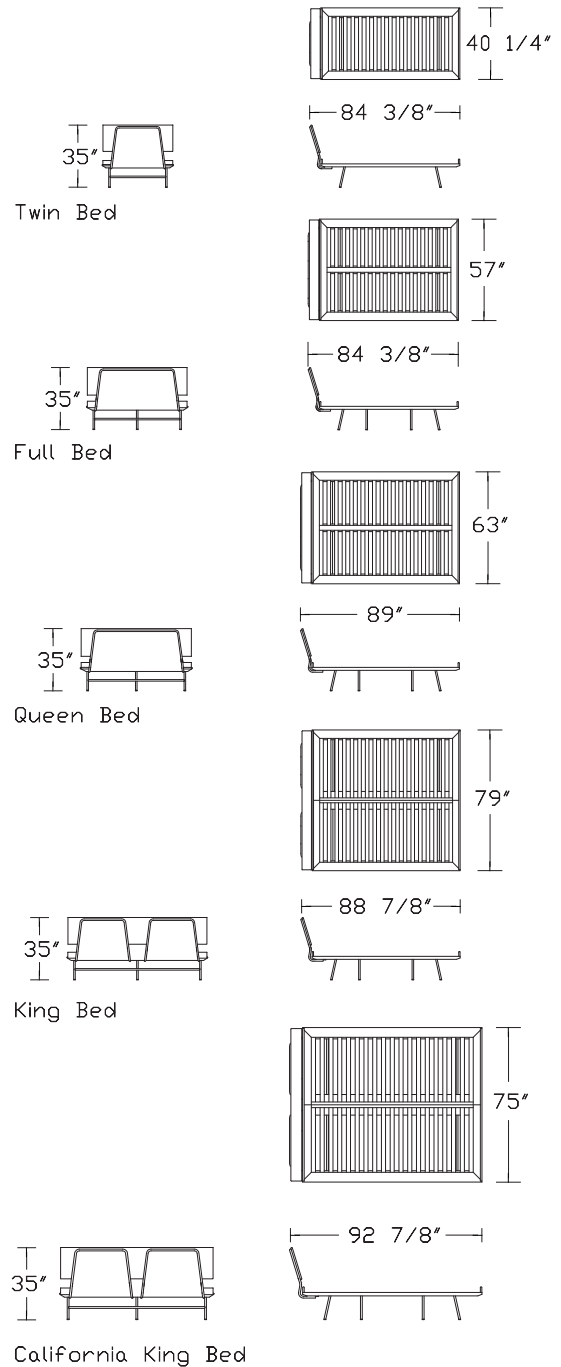
### Description

This bed comes with a natural cane or veneer headboard option. Twin, full, and queen sizes have 1 headboard support. King and California king sizes come with 2 twin-size headboard supports. Leg options are steel H-frame legs or solid wood tapers. Twin bed has 4 wood taper legs; larger bed sizes have 6 wood taper legs. All leg options come with black glides.

### Notes

Bed ships unassembled in 3 boxes. Frame, headboard and headboard supports, and legs ship in separate boxes.

## Dimensions



Nelson™ Thin Edge Bed *continued*

**Specification Information**

Step 1.

**TE54**

Step 2. Size

- 91.** twin
- 92.** full
- 93.** queen
- 94.** king
- 95.** california king

Step 3. Headboard

- C** natural cane
- V** veneer

Step 4. Leg

- F** h frame
- T** wood taper

Prices for Steps 1-4.

		F	T
<b>TE5491.</b>	<b>C</b>	\$3390	3300
	<b>V</b>	\$3120	3050
<b>TE5492.</b>	<b>C</b>	\$3990	3900
	<b>V</b>	\$3730	3650
<b>TE5493.</b>	<b>C</b>	\$4840	4750
	<b>V</b>	\$4590	4500
<b>TE5494.</b>	<b>C</b>	\$5440	5350
	<b>V</b>	\$5190	5100
<b>TE5495.</b>	<b>C</b>	\$5440	5350
	<b>V</b>	\$5190	5100

Step 5. Frame Finish

		91.	92.	93.	94.	95.
<b>OU</b>	walnut <input type="checkbox"/>	+\$0	0	0	0	0
<b>A2</b>	white ash <input type="checkbox"/>	+\$105	120	150	180	180

Step 6. Leg Finish

*For h frame (F)*

**SAC** satin chrome  +\$0

*For wood taper (T)*

**OU** walnut  +\$0  
**A2** white ash  +\$0



Accessories

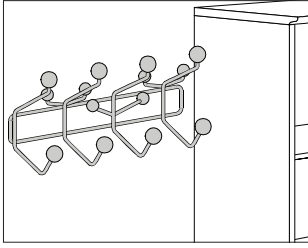
Lighting





# Eames® Hang-It-All®

HIA91  
 HIABK  
 HIAML  
 HIAOU  
 HIAUL

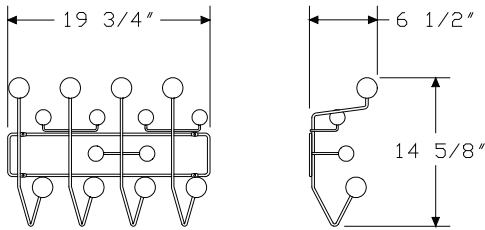


## Product Information

### Description

The Hang-It-All® frame is steel rod, available in white, black or dark blue. The black frame is available with solid wooden spheres in black or solid walnut. The white frame is available with either the multi-color option with 14 solid wooden spheres in 9 different colors: yellow, mustard, blue, green, red, pastel pink, bold pink, purple, and black, or the white option with solid wooden spheres in white or solid walnut. The dark blue frame is offered with solid maple spheres finished in a matte sheen. Attachment hardware is included.

### Dimensions



## Specification Information

### Step 1.

**HIA**

### Step 2. Sphere Finish

<b>MLC</b>	multi-color (multi-color spheres with white frame)
<b>91</b>	white
<b>BK</b>	black
<b>OU</b>	walnut
<b>UL</b>	natural maple

### Step 3. Wire Finish

#### For multi-color (multi-color spheres with white frame) (MLC)

**91** white

#### For white (91)

**91** white

#### For black (BK)

**BK** black

#### For walnut (OU)

**91** white

**BK** black

#### For natural maple (UL)

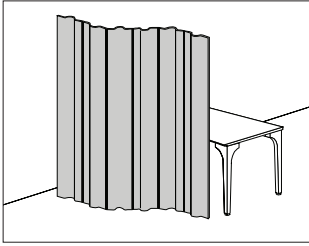
**DBM** dark blue maple

### Prices for Steps 1-3.

<b>HIAMLC 91</b>	\$185
<b>HIA91 91</b>	\$185
<b>HIABK BK</b>	\$185
<b>HIAOU 91</b>	\$285
<b>BK</b>	\$285
<b>HIAUL DBM</b>	\$285

# Eames® Molded Plywood Folding Screen

FSW.



HermanMiller Collection—Accessories

## Product Information

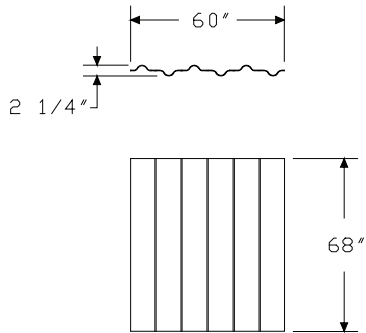
### Description

This 6-paneled, 5-ply screen has natural face veneers with lightweight hardwood inner plies. It stands alone to create standing or seated privacy and divisions within an environment. Each molded plywood section is connected by woven polypropylene mesh.

### Notes

Ebony (EN) option is stain on ash veneer; inner plies are not as visible.

### Dimensions



## Specification Information

### Step 1.

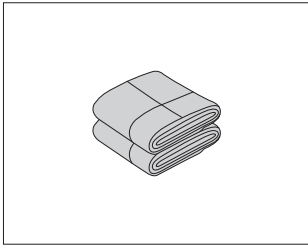
**FSW.** A \$3042

### Step 2. Surface Finish

<b>EN</b>	ebony <span style="border: 1px solid black; padding: 0 2px;">A</span>	+\$225
<b>OU</b>	walnut <span style="border: 1px solid black; padding: 0 2px;">A</span>	+\$0
<b>A2</b>	white ash <span style="border: 1px solid black; padding: 0 2px;">A</span>	+\$225

# Girard® Throw

HA-GT

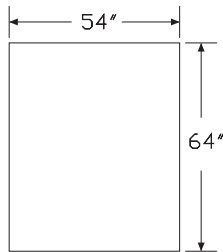


### Product Information

#### Description

In the 1960's, Alexander Girard designed this richly hued throw blanket as part of an astounding 17,543 item brand identity system—from logo to lounge furniture to bag tags—for Braniff International Airways. The re-created designs are crafted from a blend of 82% naturally breathable, wrinkle resistant, high quality virgin wool and 18% cotton.

#### Dimensions



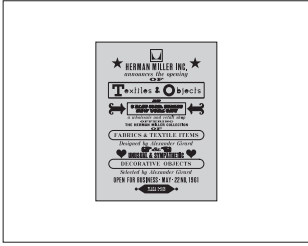
### Specification Information

#### Step 1.

**HA-GT** \$359

#### Step 2. Finish

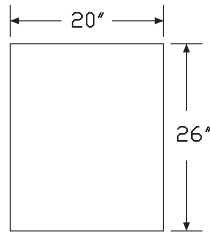
<b>TLA</b>	teal/aqua	+\$0
<b>ORF</b>	orange/fuchsia	+\$0
<b>BKW</b>	black/white	+\$0
<b>NLW</b>	natural/white	+\$0



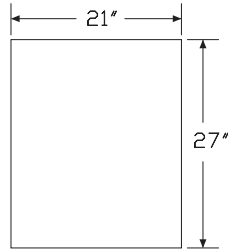
**Product Information**

**Description**  
 The Textiles & Objects poster is evidence that, in Girard’s hands, advertising can rise to the level of art. Among the many invitations, signs, product tags, and other graphical elements Alexander Girard designed to promote the midtown Manhattan Textiles & Objects shop he launched with Herman Miller in 1961, this faithful screen printed re-edition of the 26” x 20” poster is available framed or unframed. The framed version includes an elegant 3/4” white wood frame with clear acrylic. Mounting hardware included.

**Dimensions**



Unframed



Framed

**Specification Information**

Step 1.

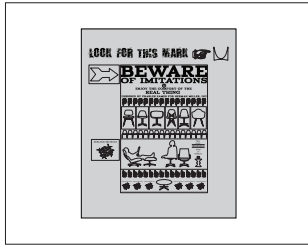
**HA-TO**

Step 2. Option

- F** framed
- U** unframed

Prices for Steps 1-2.

<b>HA-TO F</b>	\$525
<b>U</b>	\$125

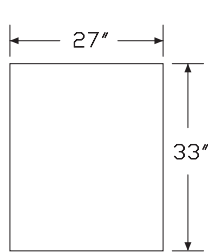


**Product Information**

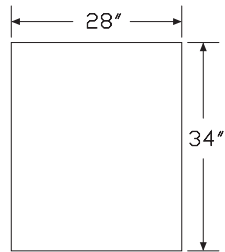
Description

The Beware of Imitations poster is a reproduction of an advertisement produced for Herman Miller by the Eames® Office in 1962. The original ad appeared on the back cover of Arts & Architecture magazine, edited at the time by the Eames' Case Study collaborator John Entenza. Faithful in every detail to the original art, and reproduced as a 2-color screen print on acid-free archival paper, the 33" x 27" poster is available framed or unframed. The framed version includes an elegant 3/4" white wood frame with clear acrylic. Mounting hardware included.

Dimensions



Unframed



Framed

**Specification Information**

Step 1.

**HA-BE**

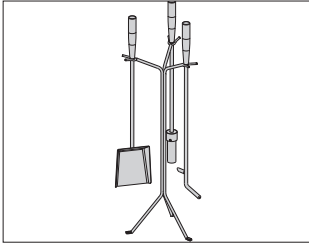
Step 2. Option

**U** unframed

**F** framed

Prices for Steps 1-2.

<b>HA-BE U</b>	\$157
<b>F</b>	\$655

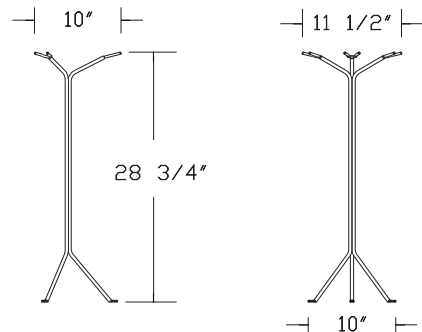
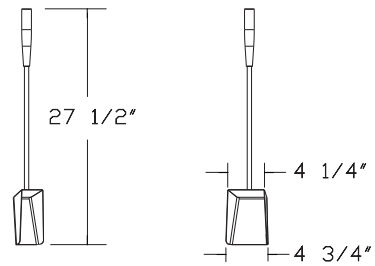
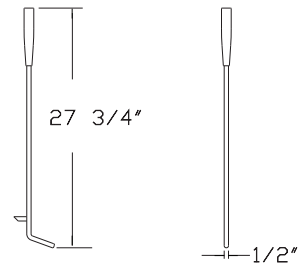
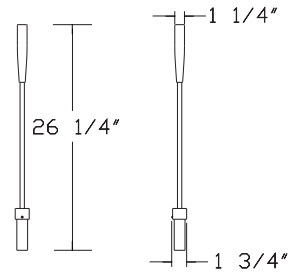


**Product Information**

**Description**

This set of fireplace tools includes stand, poker, shovel, and brush, each made from powder-coated steel with walnut handles.

**Dimensions**



# Nelson™ Fireplace Tool Set *continued*

## Specification Information

Step 1.

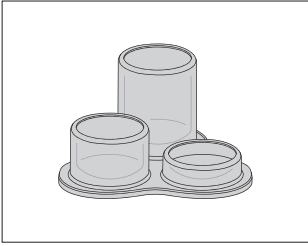
**HA-FP.**  **A** \$430

Step 2. Wood Handle

**OU** walnut  **A** +\$0

1, 2, 3, 8-Pack

HA-DT



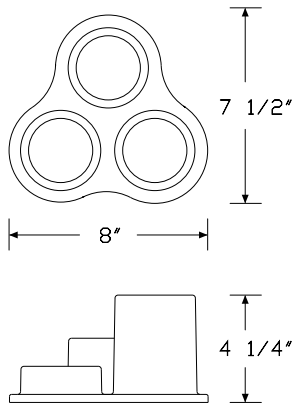
Herman Miller Collection—Accessories

**Product Information**

Description

Jasper Morrison's 1-piece desk organizer for Magis defines everyday elegance. As useful as it is beautiful, it offers 3 simple compartments formed of standard plastic to keep pens, pencils, and paper clips neatly in place in any work space.

Dimensions



**Specification Information**

Step 1.

**HA-DT-8**

\$224

Step 2. Finish

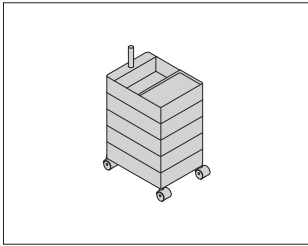
**T** clear translucent color

+\$0



360° Container (5 drawer w/casters)

HA-CO

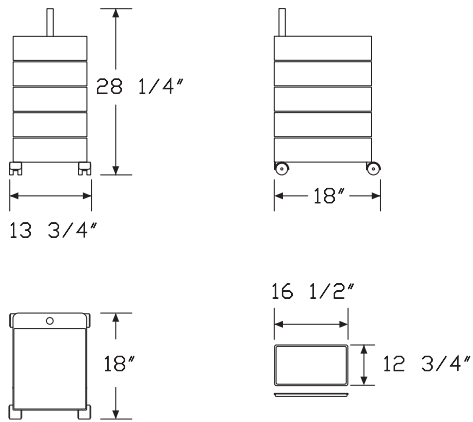


**Product Information**

**Description**

A strikingly simple and highly mobile storage solution, Konstantin Grcic's 360° Container for Magis keeps pace with contemporary work and living spaces where considerable movement is the norm. The container's drawer units swivel out to 360° to open, and casters allow for convenient mobility.

**Dimensions**



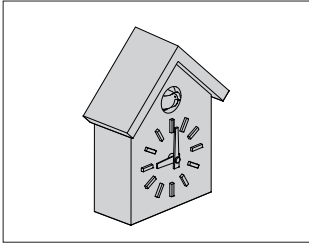
**Specification Information**

**Step 1.**

**HA-CO** \$683

**Step 2. Finish**

<b>TRG</b>	orange gloss	+\$0
<b>TWG</b>	white gloss	+\$0
<b>YB3</b>	light grey gloss	+\$0
<b>TBG</b>	black gloss	+\$0
<b>RED</b>	red gloss	+\$0



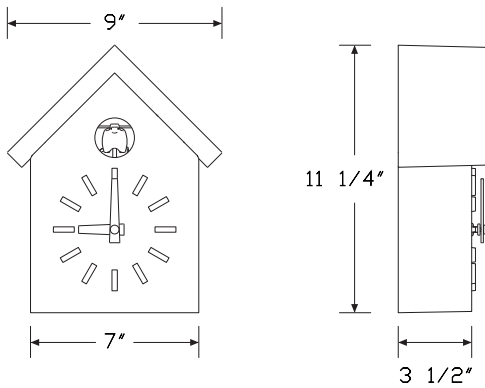
HermanMiller Collection—Accessories

**Product Information**

**Description**

Japanese designer Naoto Fukasawa offers a contemporary twist on tradition with his Cu-Clock for Magis. Cleverly stripping away the ornamentation, wooden gears, pendants, and chains that define the look of the traditional Black Forest cuckoo clock, Fukasawa leaves in its place clean lines and standard injection-molded ABS. Finish is matte white with optional roof colors. Battery included.

**Dimensions**



**Specification Information**

**Step 1.**

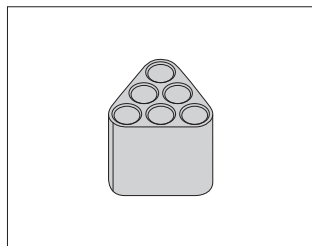
**HA-CC-4** \$1468

**Step 2. Finish**

<b>A</b>	white with orange roof	+\$0
<b>B</b>	white with white roof	+\$0
<b>V</b>	white with green roof	+\$0

# Umbrella Stand

HA-US

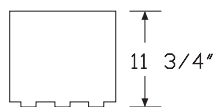
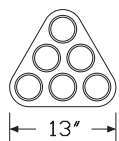


### Product Information

#### Description

The Umbrella Stand for Magis allows long and short umbrellas to be easily popped in and stowed when dashing in from the rain. Its compact size and triangular shape make for easy placement in an entryway or hallway. Available in orange, white, black, or olive green.

#### Dimensions



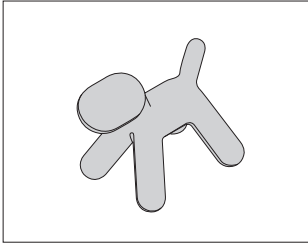
### Specification Information

#### Step 1.

**HA-US** \$157

#### Step 2. Finish

<b>ORN</b>	orange	+\$0
<b>WHX</b>	white	+\$0
<b>BLC</b>	black	+\$0
<b>YGH</b>	olive green <span style="border: 1px solid black; padding: 0 2px;">A</span>	+\$0

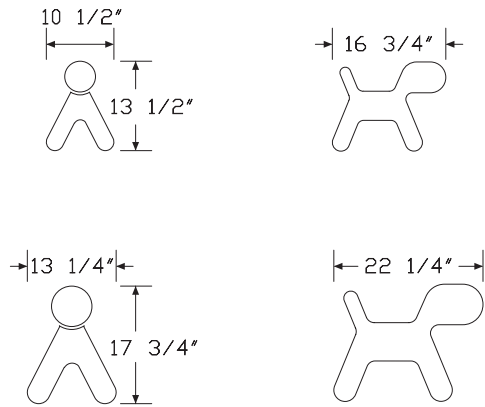


**Product Information**

**Description**

The vivid color, organic form, and playful spirit of Puppy are all characteristic of Finnish designer Eero Aarnio's oeuvre. Imaginative and innovative, his abstract plastic dog for Magis Me Too blends function and delight, finding use both inside and out as a seat or simply as sculpture.

**Dimensions**



**Specification Information**

**Step 1.**

**HA-PP-2**

**Step 2. Size**

- S** small
- M** medium

**Prices for Steps 1-2.**

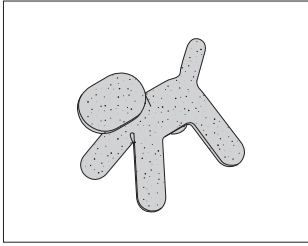
<b>HA-PP-2 S</b>	\$188
<b>M</b>	\$314

**Step 3. Finish**

<b>PRG</b> orange	+ \$0
<b>PFW</b> off-white	+ \$0
<b>PGN</b> green <span style="border: 1px solid black; padding: 0 2px;">A</span>	+ \$0

# Dalmatian Puppy

HA-DP

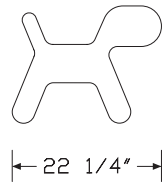
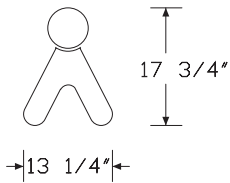
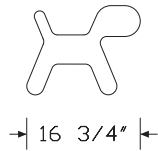
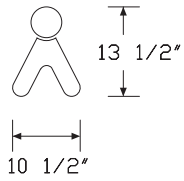


## Product Information

### Description

The color, organic form, and playful spirit of Puppy are all characteristic of Finnish designer Eero Aarnio's oeuvre. Imaginative and innovative, his abstract plastic dog for Magis Me Too blends function and delight, finding use both inside and out as a seat or simply as sculpture.

### Dimensions



## Specification Information

### Step 1.

HA-DP

### Step 2. Size

**S** small

**M** medium

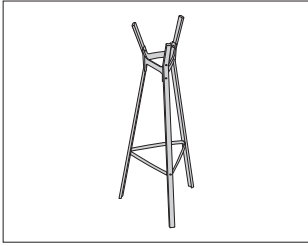
**L** large

### Prices for Steps 1-2.

HA-DP	<b>S</b>	\$130
	<b>M</b>	\$220
	<b>L</b>	\$290

# Steelwood Coat Stand

HA-CR



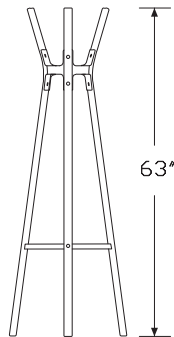
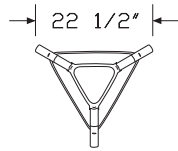
HermanMiller Collection—Accessories

## Product Information

### Description

This coat stand shares the same simple wood and steel joinery that makes the entire Steelwood family appropriate for casual and elegant settings alike. Its triangular footprint fits easily into tight spaces. Frame is natural or painted beech. Top and bottom joints are steel plate painted in epoxy resin.

### Dimensions



## Specification Information

### Step 1.

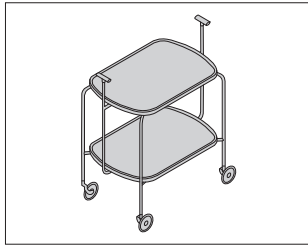
**HA-CR** \$662

### Step 2. Finish

<b>WFW</b>	white frame with white joints	+\$0
<b>BFB</b>	black frame with black joints <span style="border: 1px solid black; padding: 0 2px;">A</span>	+\$0
<b>NBW</b>	natural beech frame with white joints	+\$0
<b>NBB</b>	natural beech frame with black joints	+\$0
<b>YWF</b>	walnut frame with black joints <span style="border: 1px solid black; padding: 0 2px;">A</span>	+\$430

# Transit Folding Trolley

HA-TT

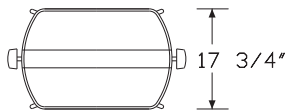
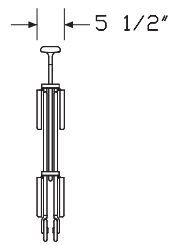
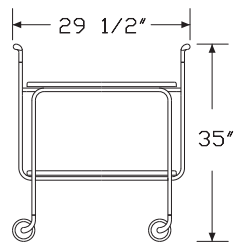


### Product Information

#### Description

The practical design and subtle sophistication of David Mellor's Transit Folding Trolley for Magis makes this resourceful trolley cart equally suited for both home and work environments. Made with a chromed steel tube frame, standard injection-molded polypropylene shelves, and polished die-cast aluminum handles, Transit features casters for easy mobility and a folding system for quick, compact storage.

#### Dimensions



### Specification Information

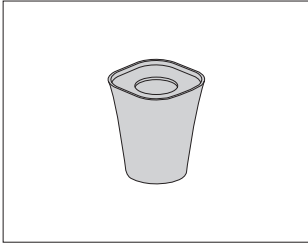
#### Step 1.

**HA-TT** \$736

#### Step 2. Finish

**YF9** white +\$0

**YF8** grey anthracite +\$0

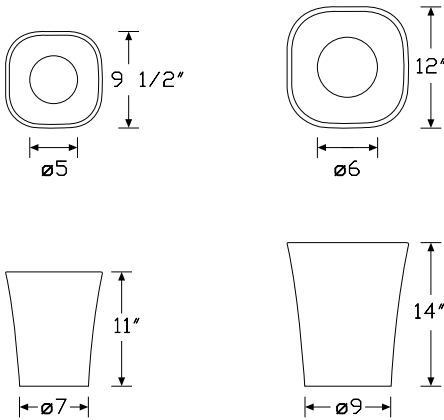


**Product Information**

**Description**

Jasper Morrison’s ability to design simple, functional objects beautifully finds its proof in his covetable reprisal of the lowly trash container. Created with Magis using standard plastic, this sleek receptacle features a removable lid and bag-liner holder to make basic litter collection easier and more stylish in the home or workplace.

**Dimensions**



**Specification Information**

**Step 1.**

**HA-TH-4**

**Step 2. Size**

- 4.** Small  A
- 0.** Large

**Prices for Steps 1-2.**

<b>HA-TH-4 4.</b>	\$152
<b>0.</b>	\$228

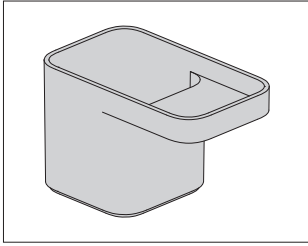
**Step 3. Finish**

<b>B</b>	white matte color	+ \$0
<b>N</b>	black matte color	+ \$0
<b>BE</b>	beige matte color <input type="checkbox"/> A	+ \$0



# Pencil Cup

CY100.



### Product Information

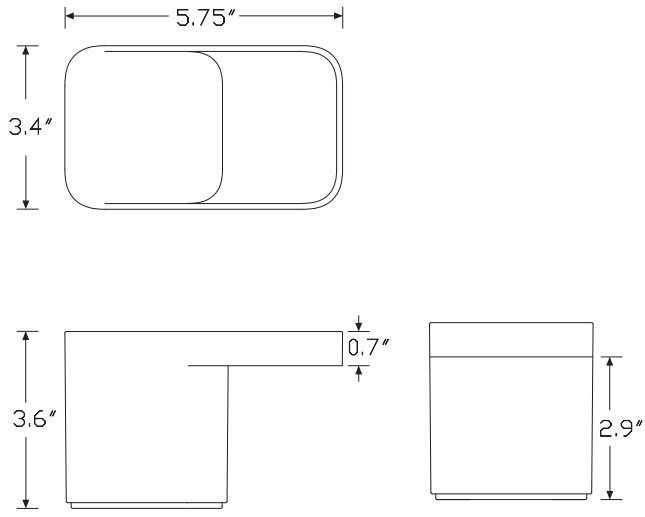
#### Description

The pencil cup is designed to hold pencils, pens, markers, and office tools. It also has an integrated ledge for convenient storage of other small items. It is crafted of high gloss ABS plastic with a silicone base.

#### Notes

Formwork® is a modular system of containers that may be arranged, stacked, and combined to best organize tools and accessories.

#### Dimensions



### Specification Information

#### Step 1.

**CY100.** \$23

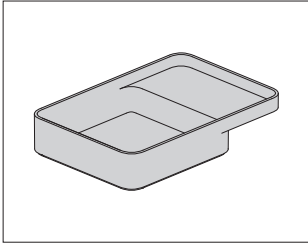
#### Step 2. Finish

**CRT** concrete +\$0

**NYX** onyx +\$0

# Tray

CY101.



HermanMiller Collection—Accessories

## Product Information

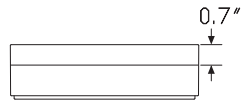
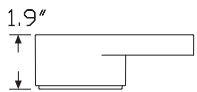
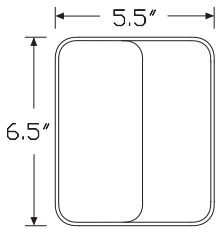
### Description

These stackable trays are designed to hold small office tools and personal items, and have an integrated ledge for convenient storage of other objects such as business cards or a pad of sticky notes. They are crafted of high gloss ABS plastic with a silicone base.

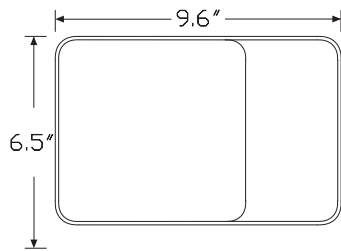
### Notes

Formwork® is a modular system of containers that may be arranged, stacked, and combined to best organize tools and accessories.

### Dimensions



Tray-Small



Tray-Large

## Specification Information

### Step 1.

**CY101.**

### Step 2. Size

**S** small

**L** large

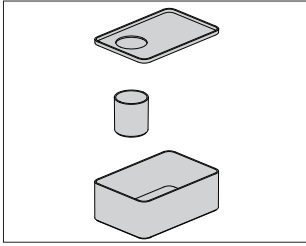
### Prices for Steps 1-2.

<b>CY101. S</b>	\$25
<b>L</b>	\$32

### Step 3. Finish

**CRT** concrete +\$0

**NYX** onyx +\$0



**Product Information**

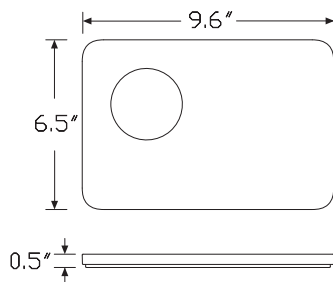
**Description**

These stackable boxes are designed to hold office tools and personal items, and have a cup for convenient storage of other objects such as paper clips, tacks, and loose change. They are crafted of high gloss ABS plastic with a silicone base.

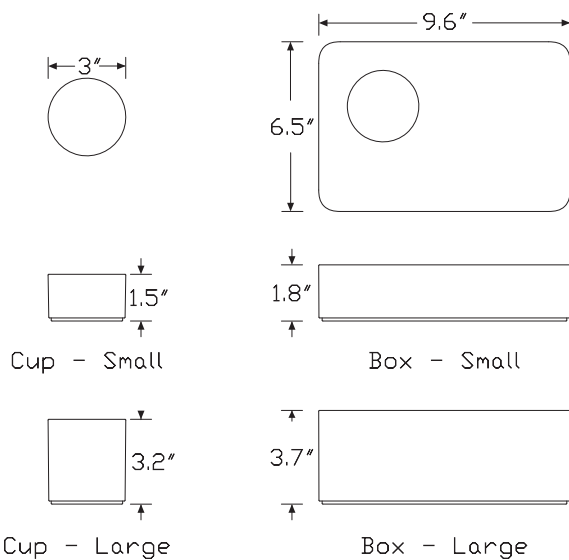
**Notes**

Formwork® is a modular system of containers that may be arranged, stacked, and combined to best organize tools and accessories.

**Dimensions**



Lid



Cup - Small

Box - Small

Cup - Large

Box - Large

**Specification Information**

**Step 1.**

**CY102.**

**Step 2. Size**

- S** small
- L** large

**Prices for Steps 1-2.**

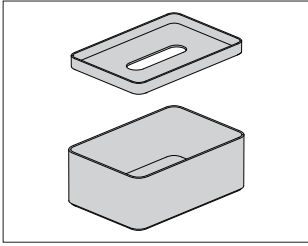
<b>CY102. S</b>	\$55
<b>L</b>	\$67

**Step 3. Finish**

<b>CRT</b> concrete	+ \$0
<b>NYX</b> onyx	+ \$0

Tissue Box

CY103.



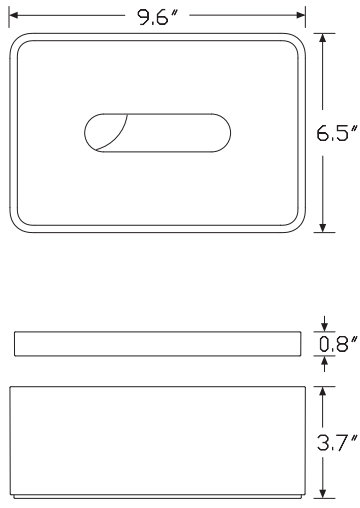
HermanMiller Collection—Accessories

**Product Information**

**Description**  
The tissue box is crafted of high gloss ABS plastic with a silicone base.

**Notes**  
Formwork® is a modular system of containers that may be arranged, stacked, and combined to best organize tools and accessories.

**Dimensions**



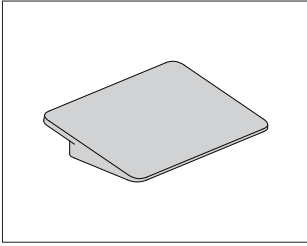
**Specification Information**

**Step 1.**  
**CY103.** \$65

**Step 2. Finish**  
**CRT** concrete +\$0  
**NYX** onyx +\$0

Media Stand

CY104.



**Product Information**

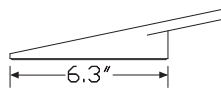
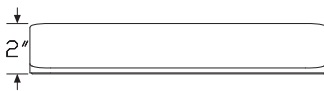
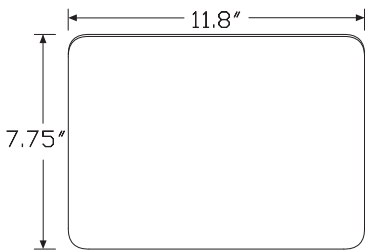
**Description**

The media stand supports tablets, notebooks, and small laptops. It is crafted of high gloss ABS plastic with a silicone top.

**Notes**

Formwork® is a modular system of containers that may be arranged, stacked, and combined to best organize tools and accessories.

**Dimensions**



**Specification Information**

**Step 1.**

**CY104.** \$70

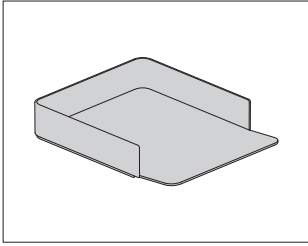
**Step 2. Finish**

**CRT** concrete +\$0

**NYX** onyx +\$0

Paper Tray

CY105.



HermanMiller Collection—Accessories

**Product Information**

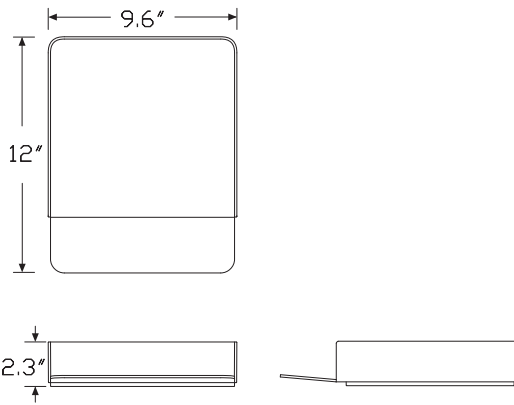
**Description**

This stackable paper tray is crafted of high gloss ABS plastic.

**Notes**

Formwork® is a modular system of containers that may be arranged, stacked, and combined to best organize tools and accessories.

**Dimensions**



**Specification Information**

**Step 1.**

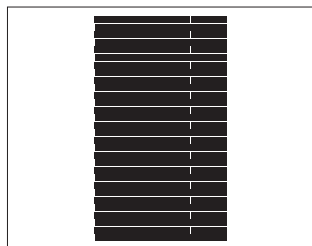
**CY105.** \$30

**Step 2. Finish**

**CRT** concrete +\$0

**NYX** onyx +\$0

# Environmental Enrichment Panel, EE925 Brick



## Product Information

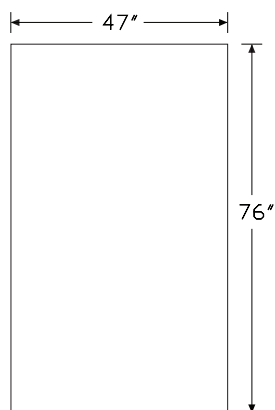
### Description

This environmental enrichment panel is 47" x 76" and is screen printed by hand on 100% linen fabric. Mounted on an MDF panel with a spacer frame and hardware, it is easy to install on a wall.

### Notes

Mounted panel is stretched over MDF with a frame and sawtooth hanging clip.

### Dimensions



## Specification Information

### Step 1.

EE  A

### Step 2. Form

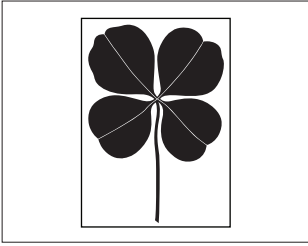
925 mounted  A

### Prices for Steps 1-2.

EE925

\$1737

Environmental Enrichment Panel, EE929  
Four Leaf Clover



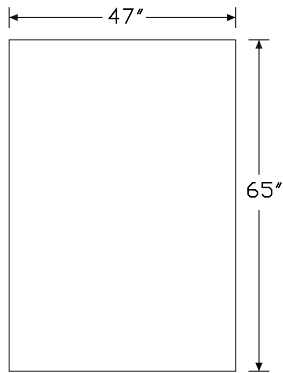
HermanMiller Collection—Accessories

**Product Information**

**Description**  
This environmental enrichment panel is 47" x 65" and is screen printed by hand on 100% linen fabric. Mounted on an MDF panel with a spacer frame and hardware, it is easy to install on a wall.

**Notes**  
Mounted panel is stretched over MDF with a frame and sawtooth hanging clip.

**Dimensions**



**Specification Information**

Step 1.

EE  A

Step 2. Form

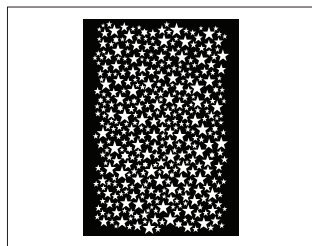
929 mounted  A

Prices for Steps 1-2.

EE929 \$1600



# Environmental Enrichment Panel, EE913 Stars



### Product Information

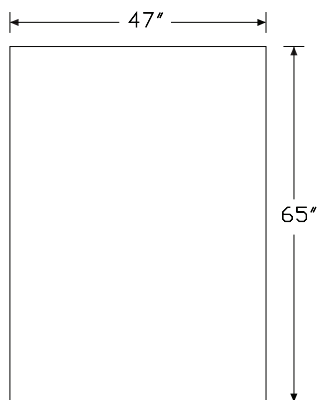
#### Description

This environmental enrichment panel is 47" x 65" and is screen printed by hand on 100% linen fabric. Mounted on an MDF panel with a spacer frame and hardware, it is easy to install on a wall.

#### Notes

Mounted panel is stretched over MDF with a frame and sawtooth hanging clip.

#### Dimensions



### Specification Information

#### Step 1.

EE  A

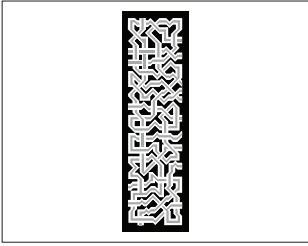
#### Step 2. Form

913  mounted  A

#### Prices for Steps 1-2.

EE913 \$1600

# Environmental Enrichment Panel, EE943 Ribbons



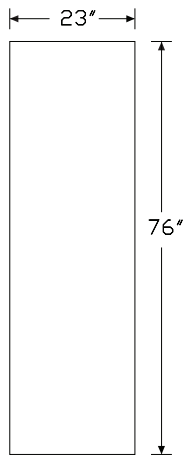
HermanMiller Collection—Accessories

## Product Information

**Description**  
This environmental enrichment panel is 23" x 76" and is screen printed by hand on 100% linen fabric. Mounted on an MDF panel with a spacer frame and hardware, it is easy to install on a wall.

**Notes**  
Mounted panel is stretched over MDF with a frame and sawtooth hanging clip.

## Dimensions



## Specification Information

Step 1.

EE  A

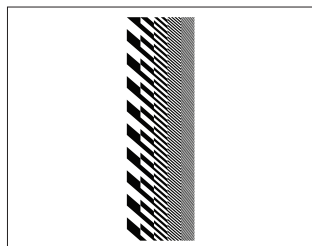
Step 2. Form

943 mounted  A

Prices for Steps 1-2.

EE943 \$1566

Environmental Enrichment Panel, EE937  
Diagonals



**Product Information**

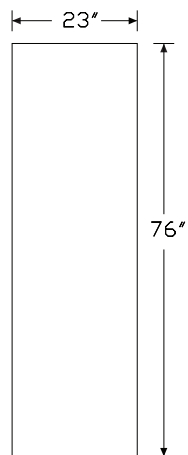
**Description**

This environmental enrichment panel is 23" x 76" and is screen printed by hand on 100% linen fabric. Mounted on an MDF panel with a spacer frame and hardware, it is easy to install on a wall.

**Notes**

Mounted panel is stretched over MDF with a frame and sawtooth hanging clip.

**Dimensions**



**Specification Information**

**Step 1.**

EE  A

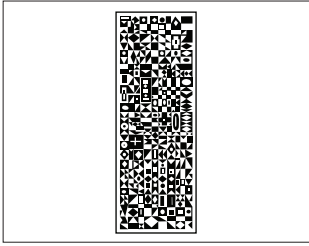
**Step 2. Form**

937 mounted  A

**Prices for Steps 1-2.**

EE937 \$1412

# Environmental Enrichment Panel, EE908 Geometry



HermanMiller Collection—Accessories

## Product Information

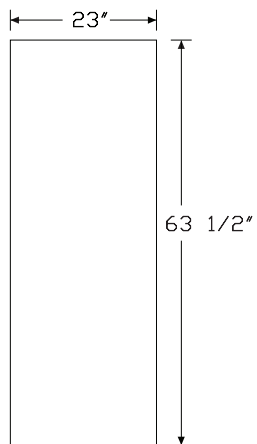
### Description

This environmental enrichment panel is 23" × 63 1/2" and is screen printed by hand on 100% linen fabric. Mounted on an MDF panel with a spacer frame and hardware, it is easy to install on a wall.

### Notes

Mounted panel is stretched over MDF with a frame and sawtooth hanging clip.

### Dimensions



## Specification Information

### Step 1.

EE  A

### Step 2. Form

908 mounted  A

### Prices for Steps 1-2.

EE908

\$1341

# Environmental Enrichment Panel, Hand & Dove EE907



### Product Information

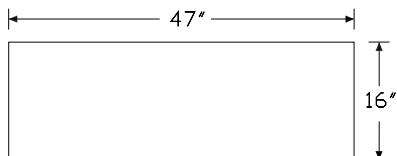
#### Description

This environmental enrichment panel is 47" x 16" and is screen printed by hand on 100% linen fabric. Mounted on an MDF panel with a spacer frame and hardware, it is easy to install on a wall.

#### Notes

Mounted panel is stretched over MDF with a frame and sawtooth hanging clip.

#### Dimensions



### Specification Information

#### Step 1.

EE  A

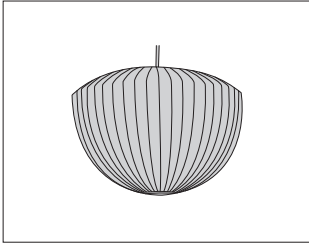
#### Step 2. Form

907 mounted  A

#### Prices for Steps 1-2.

EE907 \$978

Nelson™ Apple Bubble Pendant H766M



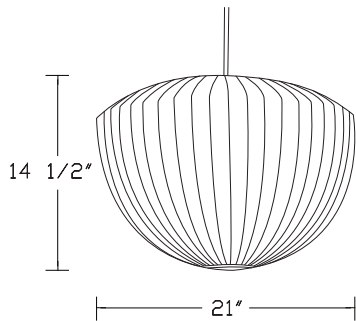
HermanMiller Collection—Lighting

**Product Information**

**Description**  
 The Nelson™ Apple Bubble Pendant comes with a 5 1/4" brushed, nickel-plated steel ceiling plate and a 6' cord. Bulb not included. 150W/120V. UL listed.

**Notes**  
 UL rated for bulbs up to 150 watts.

**Dimensions**



**Specification Information**

**Step 1.**

**H766**

**Step 2. Size**

**M** medium

**Prices for Steps 1-2.**

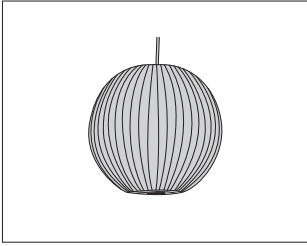
**H766M** \$398

**Step 3. Trim Finish**

**BNS** brushed nickel +\$0

Nelson™ Ball Bubble Pendant

H761L  
H761M  
H761S



**Product Information**

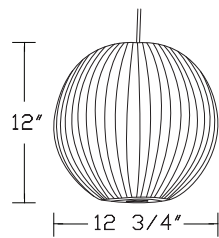
**Description**

The Nelson™ Ball Bubble Pendant is available in 3 sizes. Each lamp comes with a 5 3/4" brushed, nickel-plated steel ceiling plate and a 6' cord. Bulb not included. 150W/120V. UL listed.

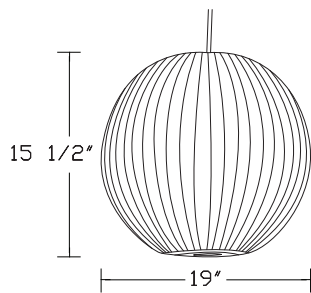
**Notes**

UL rated for bulbs up to 150 watts.

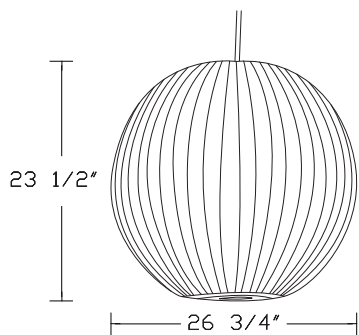
**Dimensions**



Small



Medium



Large

**Specification Information**

**Step 1.**

**H761**

**Step 2. Size**

- S** small
- M** medium
- L** large

**Prices for Steps 1-2.**

<b>H761S</b>	\$343
<b>H761M</b>	\$398
<b>H761L</b>	\$497

**Step 3. Trim Finish**

<b>BNS</b> brushed nickel	+\$0
---------------------------	------

Nelson™ Bell Bubble Pendant

BELLX



HermanMiller Collection—Lighting

**Product Information**

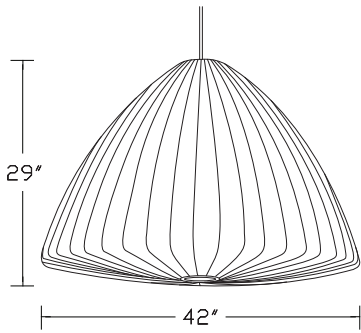
**Description**

The extra-large Nelson™ Bell Bubble Pendant comes with a 5 1/4" brushed, nickel-plated steel ceiling plate and a 9' cord. Bulb not included. 150W/120V. UL listed.

**Notes**

UL rated for bulbs up to 150 watts.

**Dimensions**



**Specification Information**

**Step 1.**

**BELL**

**Step 2. Size**

**XL** x-large

**Prices for Steps 1-2.**

**BELLXL** \$1536

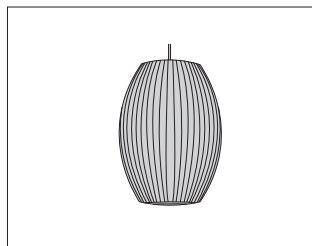
**Step 3. Trim Finish**

**BNS** brushed nickel +\$0



# Nelson™ Cigar Bubble Pendant

H762L  
H762M  
H762S  
H762X



## Product Information

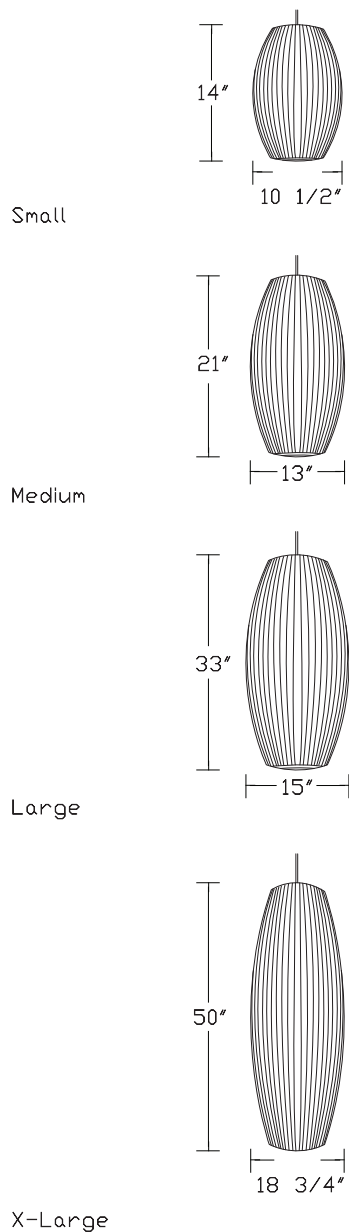
### Description

The Nelson™ Cigar Bubble Pendant is available in 4 sizes. Each lamp comes with a 5 3/4" brushed, nickel-plated steel ceiling plate and a 6' cord. Bulb not included. 150W/120V. UL listed.

### Notes

UL rated for bulbs up to 150 watts.

## Dimensions



# Nelson™ Cigar Bubble Pendant

continued

HermanMiller Collection—Lighting

## Specification Information

Step 1.

**H762**

Step 2. Size

**S** small

**M** medium

**L** large

**XL** x-large

Prices for Steps 1-2.

**H762S** \$343

**H762M** \$398

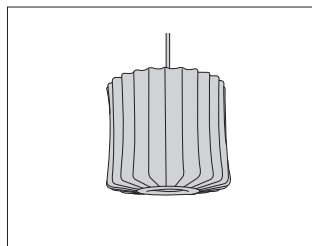
**H762L** \$497

**H762XL** \$1536

Step 3. Trim Finish

**BNS** brushed nickel +\$0

Nelson™ Lantern Bubble Pendant H737S



**Product Information**

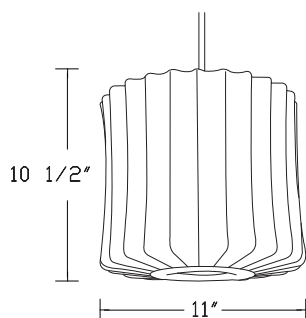
**Description**

The Nelson™ Lantern Bubble Pendant comes with a 5 1/4" brushed, nickel-plated steel ceiling plate and a 6' cord. Bulb not included. 150W/120V. UL listed.

**Notes**

UL rated for bulbs up to 150 watts.

**Dimensions**



**Specification Information**

**Step 1.**

**H737**

**Step 2. Size**

**S** small

**Prices for Steps 1-2.**

**H737S** \$343

**Step 3. Trim Finish**

**BNS** brushed nickel +\$0

Nelson™ Pear Bubble Pendant

H770M  
H770S



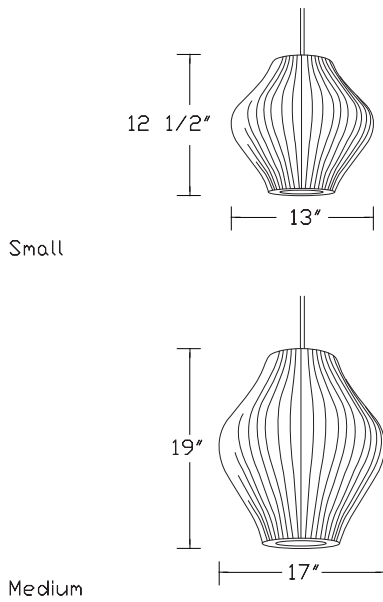
HermanMiller Collection—Lighting

**Product Information**

**Description**  
The Nelson™ Pear Bubble Pendant is available in 2 sizes. Each lamp comes with a 5 1/4" brushed, nickel-plated steel ceiling plate and a 6' cord. Bulb not included. 150W/120V. UL listed.

**Notes**  
UL rated for bulbs up to 150 watts.

**Dimensions**



**Specification Information**

**Step 1.**

**H770**

**Step 2. Size**

**S** small

**M** medium

**Prices for Steps 1-2.**

**H770S** \$368

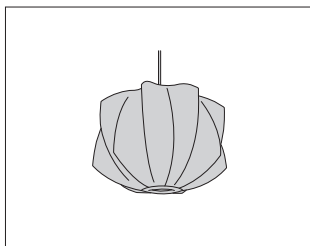
**H770M** \$438

**Step 3. Trim Finish**

**BNS** brushed nickel +\$0

# Nelson™ Propeller Bubble Pendant

PROP



### Product Information

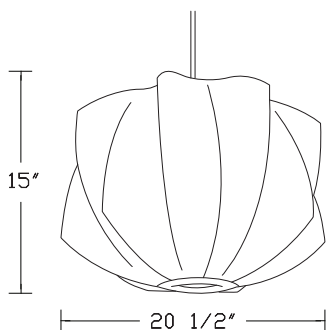
#### Description

The Nelson™ Propeller Bubble Pendant comes with a 5 1/4" brushed, nickel-plated steel ceiling plate and a 6' cord. Bulb not included. 150W/120V. UL listed.

#### Notes

UL rated for bulbs up to 150 watts.

#### Dimensions



### Specification Information

#### Step 1.

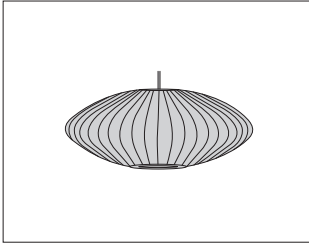
**PROP** \$431

#### Step 2. Trim Finish

**BNS** brushed nickel +\$0

# Nelson™ Saucer Bubble Pendant

H763L  
H763M  
H763S  
H763X



HermanMiller Collection—Lighting

## Product Information

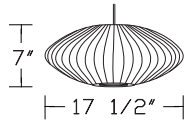
### Description

The Nelson™ Saucer Bubble Pendant is available in 4 sizes. Each lamp comes with a 5 1/4" brushed, nickel-plated steel ceiling plate and a 6' cord. The extra-large lamp has a 9' cord. Bulb not included. 150W/120V for medium, large and extra-large saucers; 60W/120V for small saucers. UL listed.

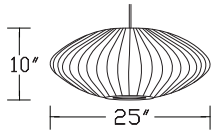
### Notes

UL rated for bulbs up to 150 watts; small saucer 60W/120V and UL rated for bulbs up to 60 watts.

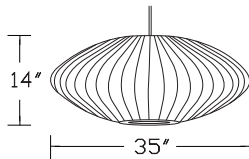
### Dimensions



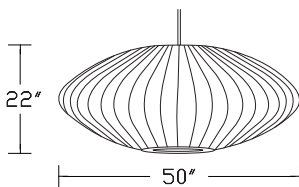
Small



Medium



Large



Extra Large

## Specification Information

### Step 1.

**H763**

### Step 2. Size

**S** small  
**M** medium  
**L** large  
**XL** x-large

### Prices for Steps 1-2.

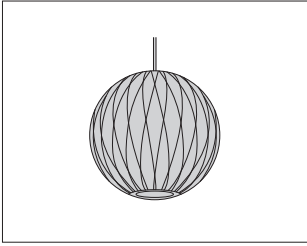
<b>H763S</b>	\$343
<b>H763M</b>	\$409
<b>H763L</b>	\$497
<b>H763XL</b>	\$1536

### Step 3. Trim Finish

**BNS** brushed nickel + \$0

Nelson™ Ball Crisscross Bubble  
Pendant

H761C



**Product Information**

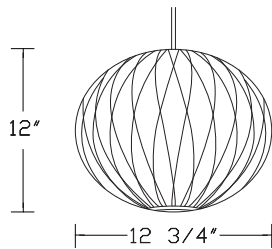
**Description**

The Nelson™ Ball Crisscross Bubble Pendant is available in 2 sizes. Each lamp comes with a 5 3/4" brushed, nickel-plated steel ceiling plate and a 6' cord. Bulb not included. 150W/120V. UL listed.

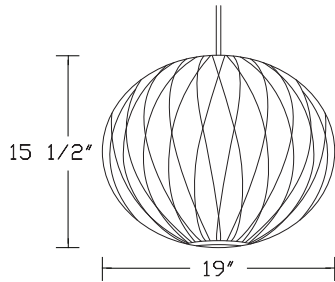
**Notes**

UL rated for bulbs up to 150 watts.

**Dimensions**



Small



Medium

**Specification Information**

**Step 1.**

**H761CC**

**Step 2. Size**

- S** small
- M** medium

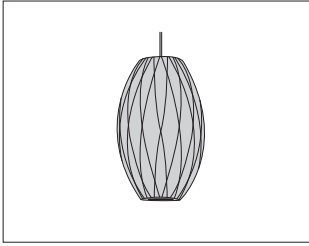
**Prices for Steps 1-2.**

<b>H761CC S</b>	\$376
<b>M</b>	\$431

**Step 3. Trim Finish**

<b>BNS</b> brushed nickel	+\$0
---------------------------	------

Nelson™ Cigar Crisscross Bubble Pendant H762C



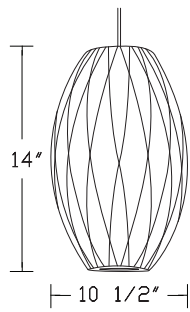
HermanMiller Collection—Lighting

**Product Information**

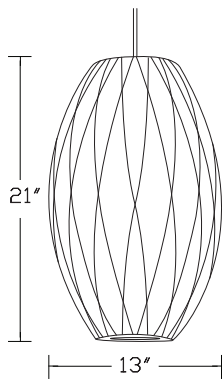
**Description**  
 The Nelson™ Cigar Crisscross Bubble Pendant is available in 2 sizes. Each lamp comes with a 5 1/4" brushed, nickel-plated steel ceiling plate and a 6' cord. Bulb not included. 150W/120V. UL listed.

**Notes**  
 UL rated for bulbs up to 150 watts.

**Dimensions**



Small



Medium

**Specification Information**

**Step 1.**  
**H762CC**

**Step 2. Size**  
**S** small  
**M** medium

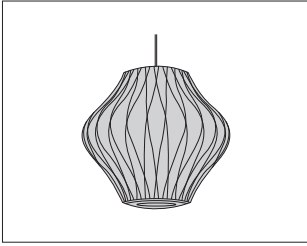
**Prices for Steps 1-2.**  
**H762CC S** \$376  
**M** \$431

**Step 3. Trim Finish**  
**BNS** brushed nickel +\$0



Nelson™ Pear Crisscross Bubble  
Pendant

H770C



**Product Information**

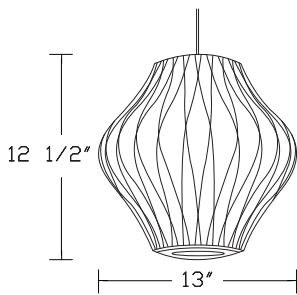
**Description**

The Nelson™ Pear Crisscross Bubble Pendant is available in 2 sizes. Each lamp comes with a 5 3/4" brushed, nickel-plated steel ceiling plate and a 6' cord. Bulb not included. 150W/120V. UL listed.

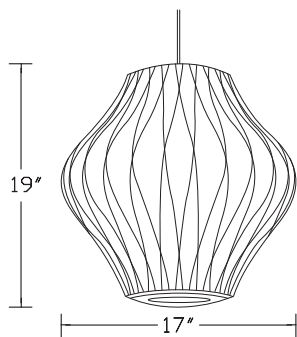
**Notes**

UL rated for bulbs up to 150 watts.

**Dimensions**



Small



Medium

**Specification Information**

**Step 1.**

**H770CC**

**Step 2. Size**

- S** small
- M** medium

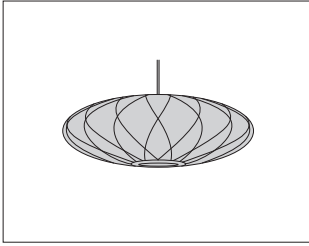
**Prices for Steps 1-2.**

<b>H770CC S</b>	\$400
<b>M</b>	\$453

**Step 3. Trim Finish**

<b>BNS</b> brushed nickel	+\$0
---------------------------	------

Nelson™ Saucer Crisscross Bubble H763C  
Pendant



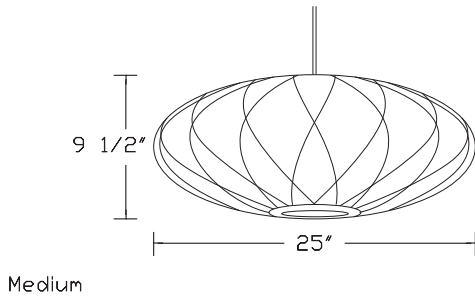
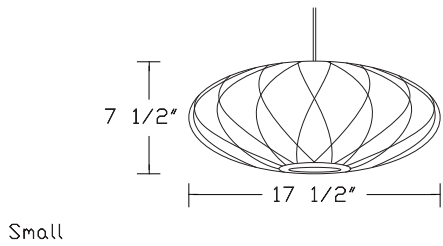
HermanMiller Collection—Lighting

**Product Information**

**Description**  
The Nelson™ Saucer Crisscross Bubble Pendant is available in 2 sizes. Each lamp comes with a 5 1/4" brushed, nickel-plated steel ceiling plate and a 6' cord. Bulb not included. 150W/120V for medium saucers; 60W/120V for small saucers. UL listed.

**Notes**  
UL rated for bulbs up to 150 watts; small saucer 60W/120V and UL rated for bulbs up to 60 watts.

**Dimensions**



**Specification Information**

**Step 1.**  
**H763CC**

**Step 2. Size**  
**S** small  
**M** medium

**Prices for Steps 1-2.**  
**H763CC S** \$376  
**M** \$431

**Step 3. Trim Finish**  
**BNS** brushed nickel +\$0

# Nelson™ Triple Bubble Lamp Fixture

B-3-7



## Product Information

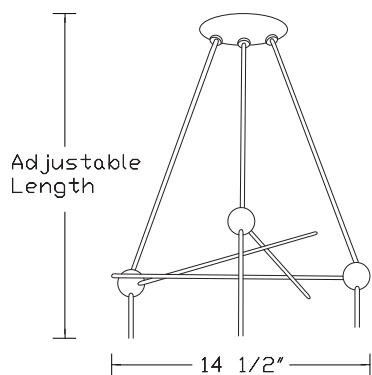
### Description

This lamp fixture comes with a 5 1/4" brushed, nickel-plated steel ceiling plate for mounting and metal rods with walnut spheres spaced 14 1/2" apart. Nelson™ Bubble lamps with cord are sold separately.

### Notes

For use with this fixture, Bubble Lamp pendants should be 19" in diameter or smaller.

### Dimensions



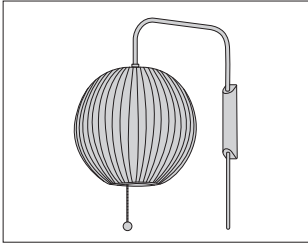
## Specification Information

### Step 1.

**B-3-740** \$232

### Step 2. Finish

**BNS** brushed nickel +\$0



HermanMiller Collection—Lighting

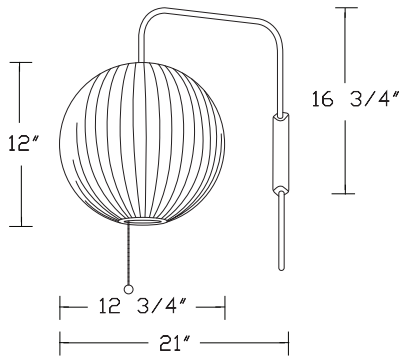
**Product Information**

**Description**  
 The Nelson™ Ball Wall Sconce has a 2"-thick solid walnut wall mount and a brushed-nickel steel arm that extends out approximately 14". The arm has a swivel hinge and an adjustable 12' plug-in cord with a counterweight that allows for height adjustments. The sconce swivels left-to-right and adjusts vertically without changing its wall-mount position. Ships with bulb included. 150W/120V. UL listed.

**Notes**

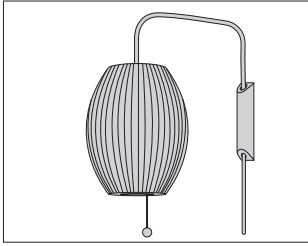
UL rated for bulbs up to 150 watts.

**Dimensions**



**Specification Information**

<b>Step 1.</b>	
<b>H761SC</b>	\$475
<b>Step 2. Bracket Finish</b>	
<b>WAL</b> walnut	+\$0
<b>Step 3. Arm Finish</b>	
<b>BNS</b> brushed nickel	+\$0



**Product Information**

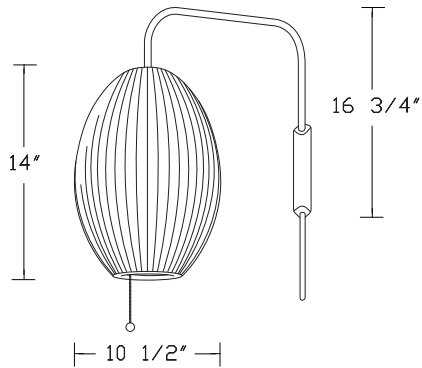
**Description**

The Nelson™ Cigar Wall Sconce has a 2"-thick solid walnut wall mount and a brushed-nickel steel arm that extends out approximately 14". The arm has a swivel hinge and an adjustable 12' plug-in cord with a counterweight that allows for height adjustments. The sconce swivels left-to-right and adjusts vertically without changing its wall-mount position. Ships with bulb included. 150W/120V. UL listed.

**Notes**

UL rated for bulbs up to 150 watts.

**Dimensions**



**Specification Information**

Step 1.

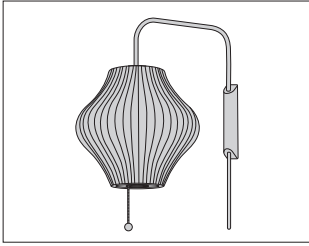
**H762SC** \$475

Step 2. Bracket Finish

**WAL** walnut +\$0

Step 3. Arm Finish

**BNS** brushed nickel +\$0



HermanMiller Collection—Lighting

**Product Information**

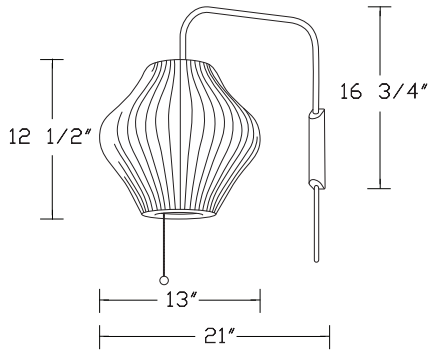
**Description**

The Nelson™ Pear Wall Sconce has a 2"-thick solid walnut wall mount and a brushed-nickel steel arm that extends out approximately 14". The arm has a swivel hinge and an adjustable 12' plug-in cord with a counterweight that allows for height adjustments. The sconce swivels left-to-right and adjusts vertically without changing its wall-mount position. Ships with bulb included. 150W/120V. UL listed.

**Notes**

UL rated for bulbs up to 150 watts.

**Dimensions**



**Specification Information**

**Step 1.**

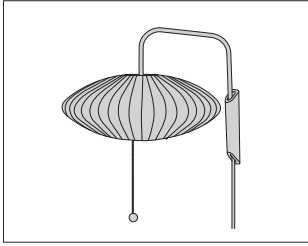
**H770SC** \$488

**Step 2. Bracket Finish**

**WAL** walnut +\$0

**Step 3. Arm Finish**

**BNS** brushed nickel +\$0



**Product Information**

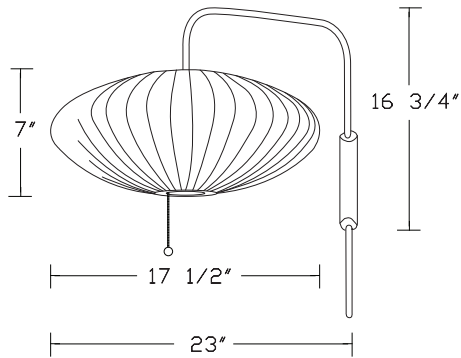
**Description**

The Nelson™ Saucer Wall Sconce has a 2"-thick solid walnut wall mount and a brushed-nickel steel arm that extends out approximately 14". The arm has a swivel hinge and an adjustable 12' plug-in cord with a counterweight that allows for height adjustments. The sconce swivels left-to-right and adjusts vertically without changing its wall-mount position. Ships with bulb included. 60W/120V. UL listed.

**Notes**

UL rated for bulbs up to 60 watts.

**Dimensions**



**Specification Information**

Step 1.

**H763SC** \$475

Step 2. Bracket Finish

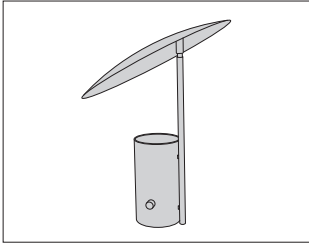
**WAL** walnut +\$0

Step 3. Arm Finish

**BNS** brushed nickel +\$0

# Half Nelson™ Lamp

HALFN



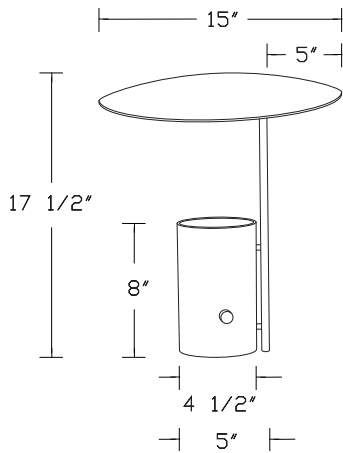
HermanMiller Collection—Lighting

### Product Information

#### Description

The Nelson™ Half Nelson Table Lamp has a pivoting shade that adjusts both left and right, and up and down, to direct light in all directions. The cylinder base is aluminum with a black line-grained anodized finish. The top of the spun aluminum shade has a black line-grained anodized finish, and the underside has a powder-coated white finish. The shade stem is chromed aluminum. The on/off switch is machined anodized aluminum. Black cord is 100" long. Bulb not included. 40W/120V.

### Dimensions



### Specification Information

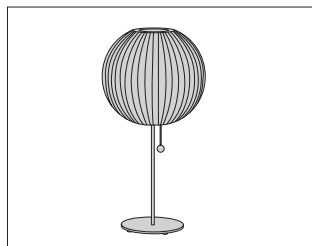
#### Step 1.

HALFNEL A \$508



# Nelson™ Ball Lotus Table Lamp

H761L

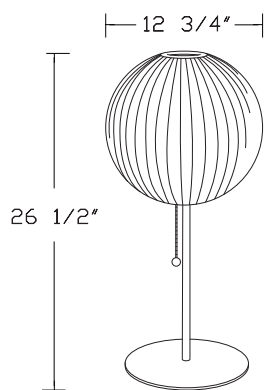


### Product Information

#### Description

The Nelson™ Ball Lotus Table Lamp has an 8"-diameter brushed nickel-plated steel base available with or without a walnut cover. The lamp has an on/off pull chain with a solid walnut end. Cord is 86" long. 150W/120V. Ships with bulb included.

#### Dimensions



### Specification Information

#### Step 1.

**H761LT**

#### Step 2. Size

**S** small

#### Prices for Steps 1-2.

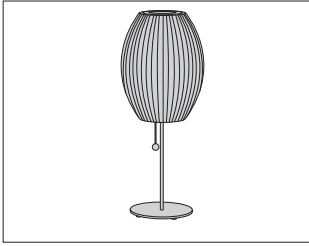
**H761LT S** \$475

#### Step 3. Base Finish

**BNS** brushed nickel  +\$0

**WAL** walnut  +\$44

Nelson™ Cigar Lotus Table Lamp H762L

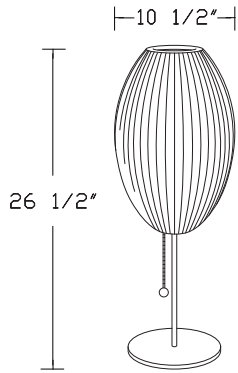


HermanMiller Collection—Lighting

**Product Information**

**Description**  
 The Nelson™ Cigar Lotus Table Lamp has an 8"-diameter brushed nickel-plated steel base available with or without a walnut cover. The lamp has an on/off pull chain with a solid walnut end. Cord is 86" long. 150W/120V. Ships with bulb included.

**Dimensions**



**Specification Information**

**Step 1.**

**H762LT**  A

**Step 2. Size**

**S** small  A

**Prices for Steps 1-2.**

**H762LT S** \$475

**Step 3. Base Finish**

**BNS** brushed nickel  A +\$0

**WAL** walnut  A +\$44

Nelson™ Pear Lotus Table Lamp H770L

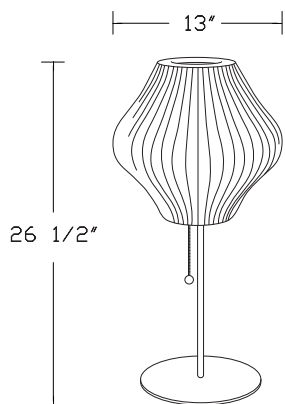


**Product Information**

**Description**

The Nelson™ Pear Lotus Table Lamp has an 8"-diameter brushed nickel-plated steel base available with or without a walnut cover. The lamp has an on/off pull chain with a solid walnut end. Cord is 86" long. 150W/120V. Ships with bulb included.

**Dimensions**



**Specification Information**

**Step 1.**

**H770LT**  A

**Step 2. Size**

**S** small  A

**Prices for Steps 1-2.**

**H770LT S** \$466

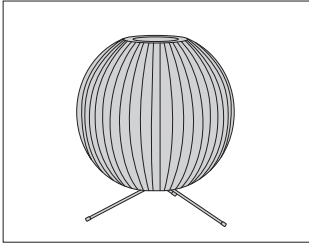
**Step 3. Base Finish**

**BNS** brushed nickel  A +\$0

**WAL** walnut  A +\$71

Nelson™ Ball Tripod Lamp

H761T



HermanMiller Collection—Lighting

**Product Information**

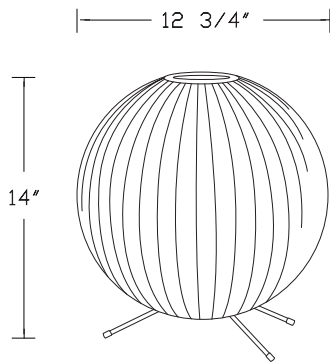
Description

The Nelson™ Ball Tripod Lamp has a durable, brushed nickel-plated steel stand, an on/off switch, and a 90" cord. Ships with bulb included. 150W/120V. UL listed.

Notes

UL rated for bulbs up to 150 watts.

Dimensions



**Specification Information**

Step 1.

**H761T**

Step 2. Size

**S** small

Prices for Steps 1-2.

**H761T S** \$398

Step 3. Base Finish

**BNS** brushed nickel +\$0

Nelson™ Cigar Tripod Lamp

H762T



**Product Information**

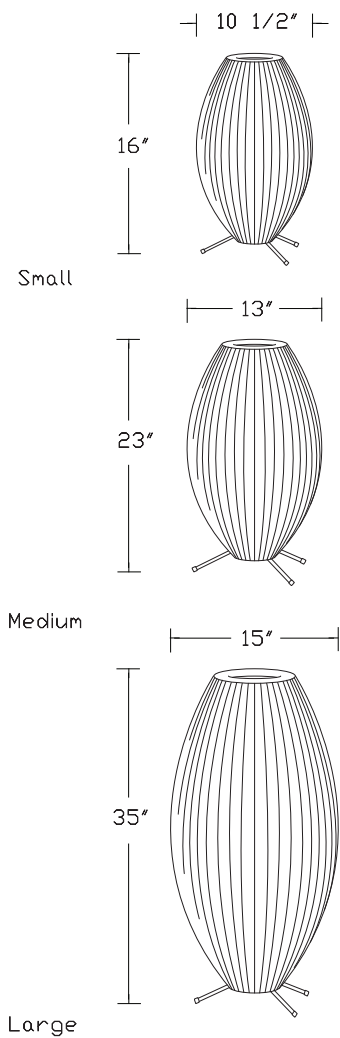
**Description**

The Nelson™ Cigar Tripod Lamp is available in 3 sizes. It has a durable, brushed nickel-plated steel stand, an on/off switch, and a 90" cord. Ships with bulb included. 150W/120V. UL listed.

**Notes**

UL rated for bulbs up to 150 watts.

**Dimensions**



**Specification Information**

**Step 1.**

**H762T**

**Step 2. Size**

- S** small
- M** medium
- L** large

**Prices for Steps 1-2.**

<b>H762T S</b>	\$398
<b>M</b>	\$453
<b>L</b>	\$553

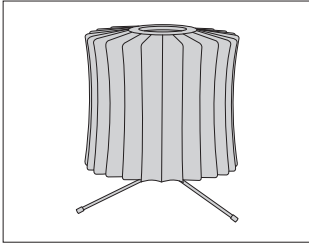
**Step 3. Base Finish**

<b>BNS</b> brushed nickel	+\$0
---------------------------	------

HermanMiller Collection—Lighting

Nelson™ Lantern Tripod Lamp

H737T



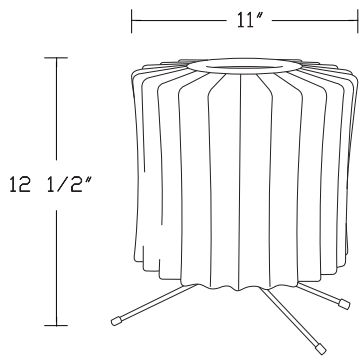
HermanMiller Collection—Lighting

**Product Information**

**Description**  
 The Nelson™ Lantern Tripod Lamp has a durable, brushed nickel-plated steel stand, an on/off switch, and a 90" cord. Ships with bulb included. 150W/120V. UL listed.

**Notes**  
 UL rated for bulbs up to 150 watts.

**Dimensions**



**Specification Information**

Step 1.

**H737T**

Step 2. Size

**S** small

Prices for Steps 1-2.

**H737T S** \$398

Step 3. Base Finish

**BNS** brushed nickel +\$0

Nelson™ Pear Tripod Lamp

H770T



**Product Information**

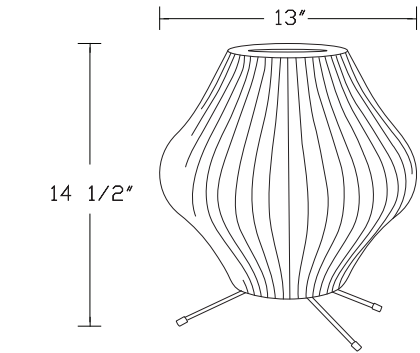
**Description**

The Nelson™ Pear Tripod Lamp is available in 2 sizes. It has a durable, brushed nickel-plated steel stand, an on/off switch, and a 90" cord. Ships with bulb included. 150W/120V. UL listed.

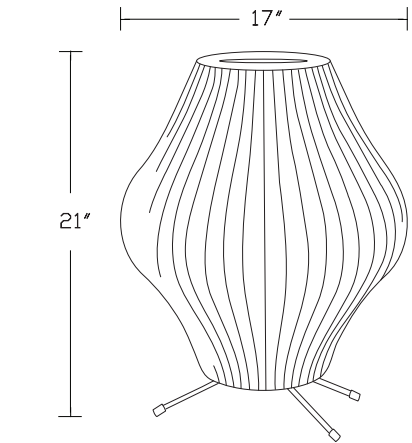
**Notes**

UL rated for bulbs up to 150 watts.

**Dimensions**



Small



Medium

**Specification Information**

**Step 1.**

**H770T**

**Step 2. Size**

- S** small
- M** medium

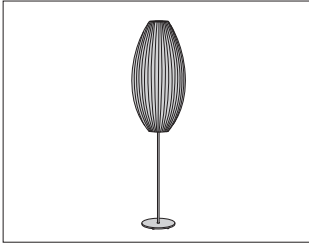
**Prices for Steps 1-2.**

<b>H770T S</b>	\$442
<b>M</b>	\$497

**Step 3. Base Finish**

<b>BNS</b> brushed nickel	+\$0
---------------------------	------

Nelson™ Cigar Lotus Floor Lamp H762L

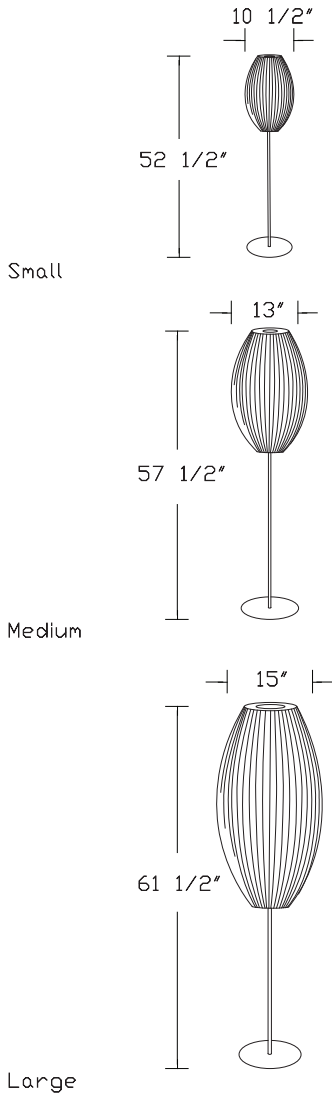


HermanMiller Collection—Lighting

**Product Information**

**Description**  
 The Nelson™ Cigar Lotus Floor Lamp is available in 3 sizes. It has a 10"-diameter brushed nickel-plated steel stand with a 6½-pound base for stability, available with or without a walnut cover. The lamp has an on/off floor switch and a 9' cord. Ships with bulb included. 150W/120V.

**Dimensions**



**Specification Information**

Step 1.

H762LF

Step 2. Size

S small

M medium

L large

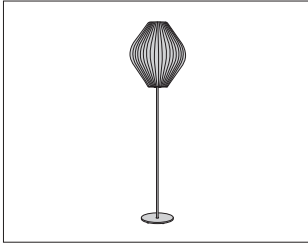
Prices for Steps 1-2.

H762LF	S	\$475
	M	\$519
	L	\$564

Step 3. Base Finish

		S	M	L
BNS	brushed nickel <input type="checkbox"/>	+\$0	0	0
WAL	walnut <input type="checkbox"/>	+\$44	44	55



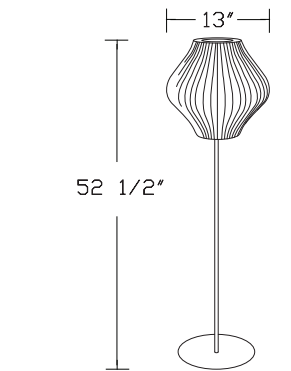


**Product Information**

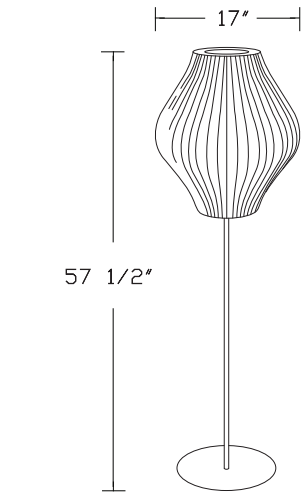
**Description**

The Nelson™ Pear Lotus Floor Lamp is available in 2 sizes. It has a 10"-diameter brushed nickel-plated steel stand with a 6½-pound base for stability, available with or without a walnut cover. Base is brushed nickel and comes with or without a walnut cover. The lamp has an on/off floor switch and a 9' cord. Ships with bulb included. 150W/120V.

**Dimensions**



Small



Medium

**Specification Information**

**Step 1.**

**H770LF**  A

**Step 2. Size**

**S** small  A

**M** medium  A

**Prices for Steps 1-2.**

<b>H770LF S</b>	\$508
<b>M</b>	\$542

**Step 3. Base Finish**

		S	M
<b>BNS</b>	brushed nickel <input type="checkbox"/> A	+\$0	0
<b>WAL</b>	walnut <input type="checkbox"/> A	+\$45	38



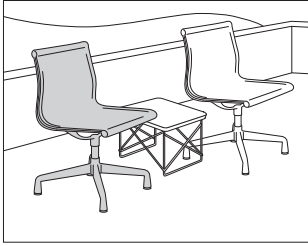
Seating

Tables



Eames® Aluminum Group Side  
Chair Outdoor

EA506  
EA508

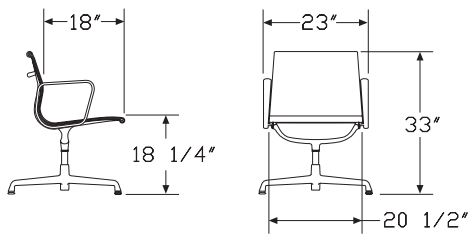


**Product Information**

**Description**

This outdoor low back side chair has a lightweight aluminum frame and suspended mesh upholstery. It has a 4-star base with adjustable glides. The chair is available with or without arms.

**Dimensions**



**Specification Information**

**Step 1.**

**EA50**  A

**Step 2. Arms**

**6** no arms  A

**8** arms  A

**Step 3. Swivel**

**S** swivel base  A

**F** fixed base, no swivel  A

**Prices for Steps 1-3.**

<b>EA506 S</b>	\$1215
<b>F</b>	\$1294

<b>EA508 S</b>	\$1597
<b>F</b>	\$1675

**Step 4. Base/Frame Finish**

<b>BK</b> black <input type="checkbox"/> A	+\$91
<b>G2</b> graphite satin <input type="checkbox"/> A	+\$91
<b>91</b> white <input type="checkbox"/> A	+\$91

**Step 5. Fabric**

Price Category 6	+\$179
------------------	--------

# Eames® Wire Chair Outdoor

DKQR.  
DKQX.



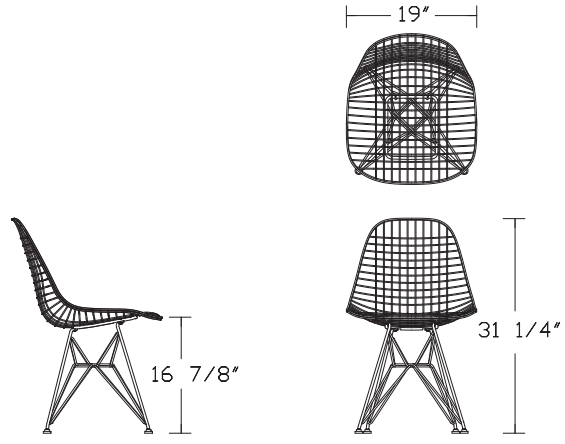
HermanMiller Collection—Outdoor Seating

## Product Information

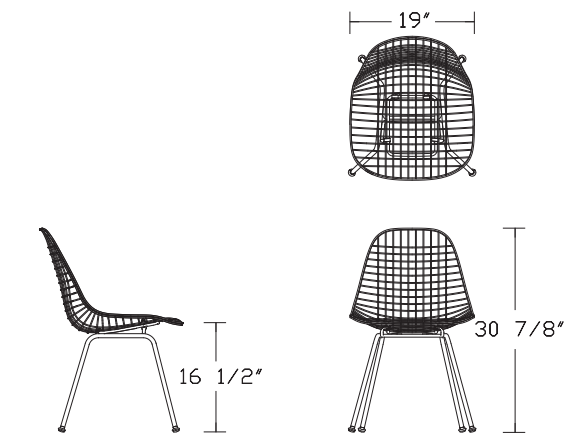
### Description

This outdoor chair has a wire shell with wire base or 4-leg base. Finish is white or black. Chair comes with standard outdoor glides.

### Dimensions



Wire Base



4-Leg Base

## Specification Information

### Step 1.

**DKQ**

### Step 2. Base

**R.0** wire base

**X.0** 4 leg base

### Prices for Steps 1-2.

**DKQR.0** \$749

**DKQX.0** \$739

### Step 3. Seat Frame/Leg Finish

**91** white  +\$0

**BK** black  +\$0

### Step 4. Glide Option

**E8** standard glide  +\$0

Eames® Wire Stool Outdoor

DKHQBX  
DKHQCX

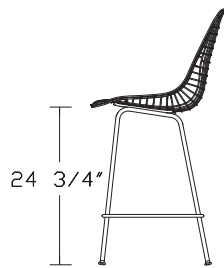
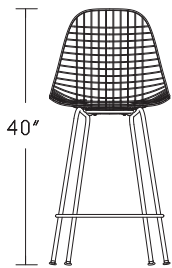
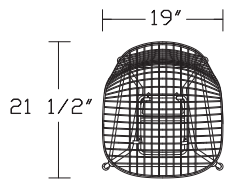


**Product Information**

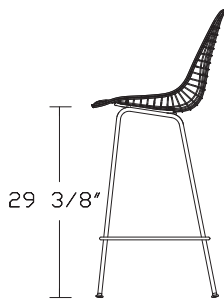
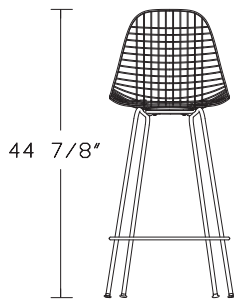
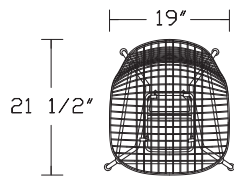
**Description**

This outdoor stool has a wire shell and is available in bar height or counter height. Finish is white or black. Stool comes with standard outdoor glides.

**Dimensions**



Counter Height



Bar Height

**Specification Information**

Step 1.

**DKHQ**

Step 2. Base Height

**BX.** bar height stool

**CX.** counter height stool

Prices for Steps 1-2.

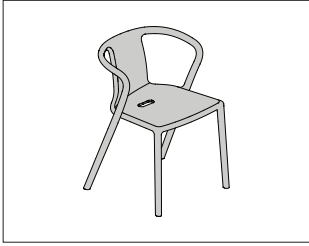
<b>DKHQBX.</b>	\$1025
<b>DKHQCX.</b>	\$1005

Step 3. Seat Frame/Leg Finish

<b>91</b> white <input type="checkbox"/>	+ \$0
<b>BK</b> black <input type="checkbox"/>	+ \$0

Step 4. Glide Option

<b>E8</b> standard glide <input type="checkbox"/>	+ \$0
---	-------

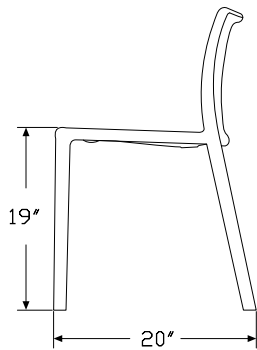
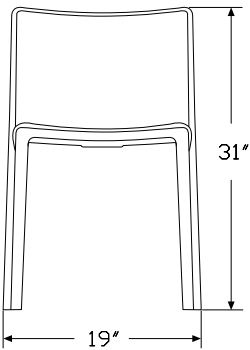
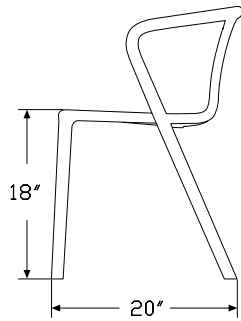
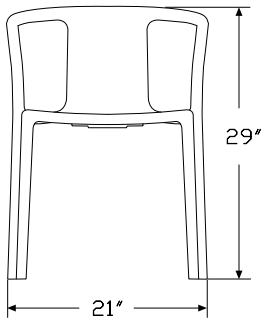


**Product Information**

**Description**

This outdoor stacking chair is available with or without arms and is made from polypropylene with glass fibre added. Chairs can stack up to 10 high. Package contains 4 chairs.

**Dimensions**



**Specification Information**

**Step 1.**

**MGA10.** [A]

**Step 2. Arms**

**N** no arms [A]

**A** arms [A]

**Prices for Steps 1-2.**

<b>MGA10.N</b>	\$773
<b>A</b>	\$858

**Step 3. Finish**

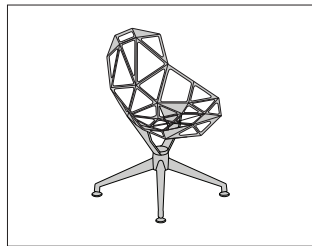
*For no arms (N)*

<b>YBB</b> beige [A]	+\$0
<b>YBC</b> black [A]	+\$0
<b>YBH</b> green [A]	+\$0
<b>YBM</b> orange [A]	+\$0
<b>YBP</b> white [A]	+\$0

*For arms (A)*

<b>YBB</b> beige [A]	+\$0
<b>YBH</b> green [A]	+\$0
<b>YBJ</b> grey anthracite [A]	+\$0
<b>YBM</b> orange [A]	+\$0
<b>YBP</b> white [A]	+\$0



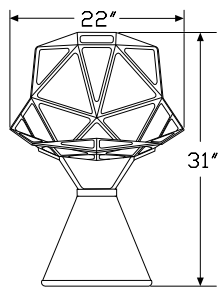


**Product Information**

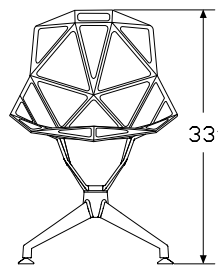
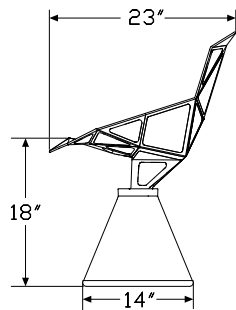
**Description**

This chair is available with a four-star or concrete base, with or without swivel.

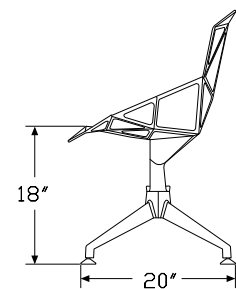
**Dimensions**



C



B



**Specification Information**

**Step 1.**

**MGE10.** [A]

**Step 2. Base**

- B** 4-star base [A]
- C** concrete base [A]
- D** 4-star base, swivel [A]
- E** concrete base, swivel [A]

**Step 3. Seat/Leg Material**

*For 4-star base (B) or 4-star base, swivel (D)*

**PA** painted aluminum seat and legs [A]

*For concrete base (C) or concrete base, swivel (E)*

**PC** painted aluminum seat/natural concrete base [A]

**Prices for Steps 1-3.**

	PA	PC
<b>MGE10.B</b>	\$747	—
<b>C</b>	—	\$784
<b>D</b>	\$947	—
<b>E</b>	—	\$984

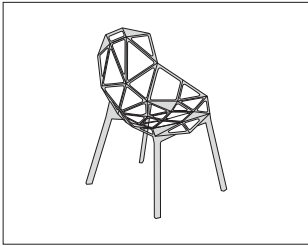
**Step 4. Seat Finish**

*For concrete base (C) or concrete base, swivel (E)*

<b>YHB</b> black [A]	+\$0
<b>YHH</b> grey anthracite [A]	+\$0
<b>YHM</b> red [A]	+\$0
<b>YHP</b> white [A]	+\$0
<b>YLW</b> yellow [A]	+\$0

*For 4-star base (B) or 4-star base, swivel (D)*

<b>YHB</b> black [A]	+\$0
<b>YHP</b> white [A]	+\$0

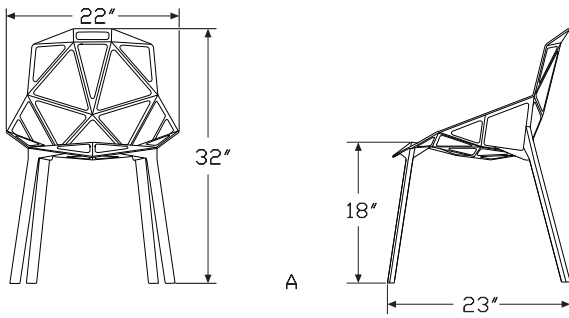


**Product Information**

**Description**

This outdoor chair comes with a four-leg base. Chairs can stack up to 8 high. Package contains 2 chairs.

**Dimensions**



**Specification Information**

**Step 1.**

**MGE10.A** A

**Step 2. Seat/Leg Material**

**PP** painted aluminum seat/polished aluminum legs A

**PA** painted aluminum seat and legs A

**Prices for Steps 1-2.**

<b>MGE10.A PP</b>	\$1056
<b>PA</b>	\$1100

**Step 3. Seat Finish**

*For painted aluminum seat/polished aluminum legs (PP)*

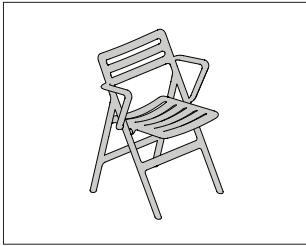
<b>YHH</b> grey anthracite <span style="border: 1px solid black; padding: 0 2px;">A</span>	+\$0
<b>YHM</b> red <span style="border: 1px solid black; padding: 0 2px;">A</span>	+\$0
<b>YHP</b> white <span style="border: 1px solid black; padding: 0 2px;">A</span>	+\$0

*For painted aluminum seat and legs (PA)*

<b>YHB</b> black <span style="border: 1px solid black; padding: 0 2px;">A</span>	+\$0
<b>YHP</b> white <span style="border: 1px solid black; padding: 0 2px;">A</span>	+\$0
<b>YLW</b> yellow <span style="border: 1px solid black; padding: 0 2px;">A</span>	+\$0

# Folding Air-Chair Outdoor

MGA11.

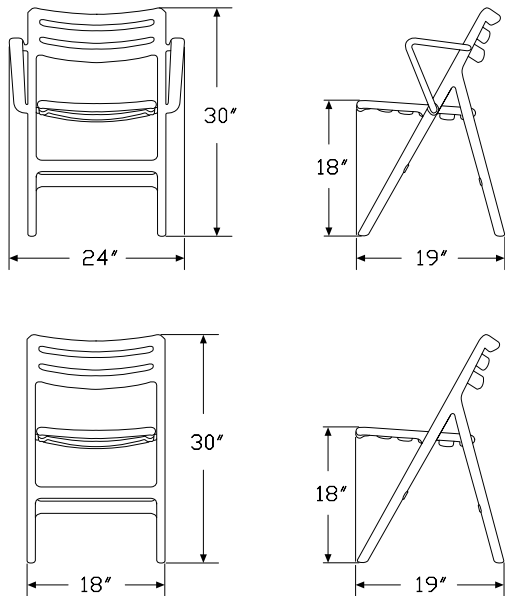


## Product Information

### Description

This outdoor folding chair is made from polypropylene with glass fibre added. It is available with or without arms. Package contains 2 chairs.

### Dimensions



## Specification Information

### Step 1.

**MGA11.**  A

### Step 2. Arms

**N** no arms  A

**A** arms  A

### Prices for Steps 1-2.

<b>MGA11.N</b>	\$428
<b>A</b>	\$474

### Step 3. Finish

#### For no arms (N)

**YBH** green  A +\$0

**YBM** orange  A +\$0

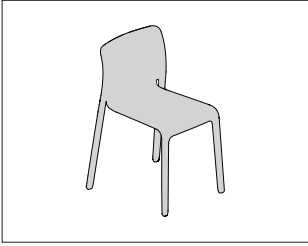
**YBP** white  A +\$0

#### For arms (A)

**YBP** white  A +\$0

Chair First Outdoor

MGF01.

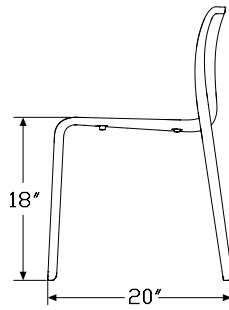
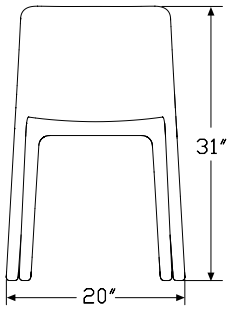


HermanMiller Collection—Outdoor Seating

**Product Information**

**Description**  
 This outdoor stacking chair is made from polypropylene with glass fibre added. Chairs can stack up to 10 high. Package contains 4 chairs.

**Dimensions**



**Specification Information**

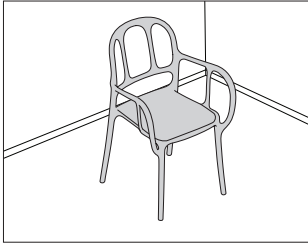
**Step 1.**  
**MGF01.**  A \$1091

**Step 2. Finish**

<b>YGB</b>	beige <input type="checkbox"/> A	+\$0
<b>YGC</b>	black <input type="checkbox"/> A	+\$0
<b>YGH</b>	olive green <input type="checkbox"/> A	+\$0
<b>YGM</b>	white <input type="checkbox"/> A	+\$0

# Mila Chair

XXSD2

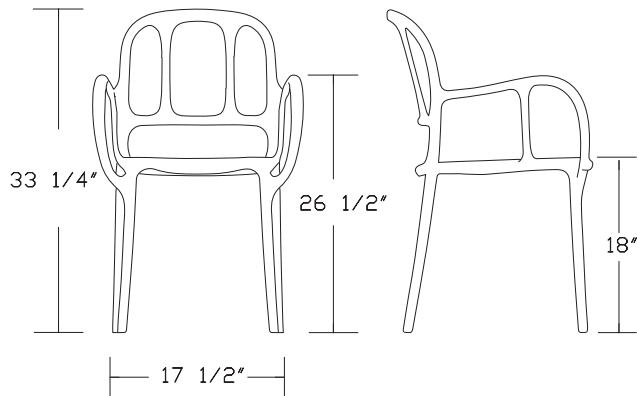
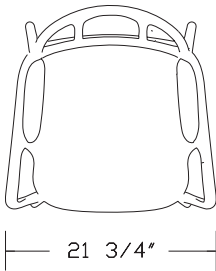


## Product Information

### Description

This stacking plastic chair is suitable for indoor or outdoor use. Stacks up to 6 high. Package contains 2 chairs.

### Dimensions



## Specification Information

### Step 1.

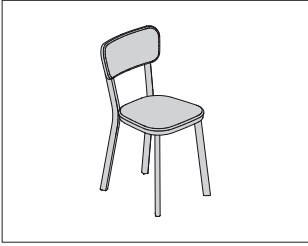
**XXSD2100** A \$778

### Step 2. Finish

<b>1484C</b> red <span style="border: 1px solid black; padding: 0 2px;">A</span>	+\$0
<b>1556C</b> dark green <span style="border: 1px solid black; padding: 0 2px;">A</span>	+\$0
<b>1666C</b> yellow <span style="border: 1px solid black; padding: 0 2px;">A</span>	+\$0
<b>1733C</b> beige <span style="border: 1px solid black; padding: 0 2px;">A</span>	+\$0
<b>1738C</b> white	+\$0
<b>1769C</b> black	+\$0

Deja-Vu Chair Outdoor

MGD10.

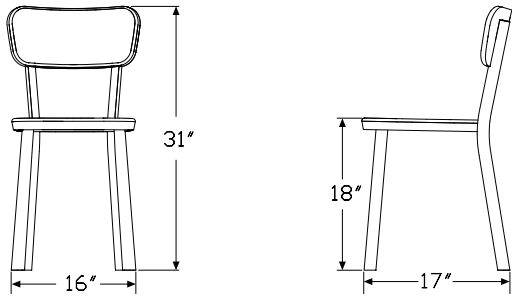


HermanMiller Collection—Outdoor Seating

**Product Information**

**Description**  
 This outdoor chair has a painted aluminum outer back. The leg, seat, and back finishes are black.

**Dimensions**



**Specification Information**

Step 1.

**MGD10.**  A

Step 2. Finish

**PA** painted aluminum  A

Prices for Steps 1-2.

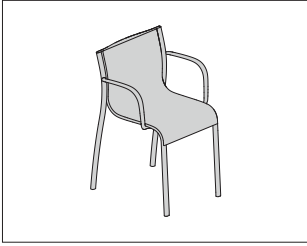
**MGD10.PA** \$755

Step 3. Leg/Seat/Back Finish

**YFB** black  A + \$0

Paso Doble Chair Outdoor

MGP10.

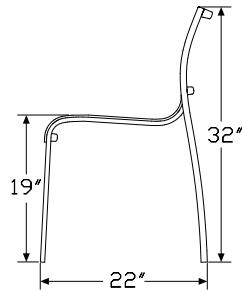
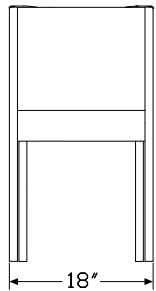
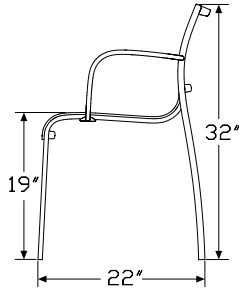
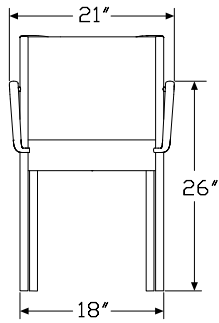


**Product Information**

**Description**

This outdoor stacking chair has an aluminum frame and is available with or without arms. The arms and crosspieces come in die-cast aluminum. Chairs can stack up to 5 high. Package contains 2 chairs.

**Dimensions**



**Specification Information**

**Step 1.**

**MGP10.**  A

**Step 2. Arms**

**N** no arms  A

**A** arms  A

**Prices for Steps 1-2.**

**MGP10.N** \$1315

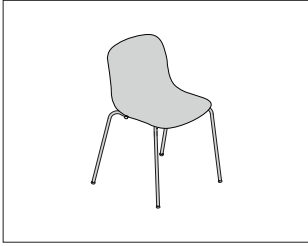
**A** \$1815

**Step 3. Chair Color**

**YKB** black  A +\$0

Troy Plastic Outdoor Chair

MGY10.



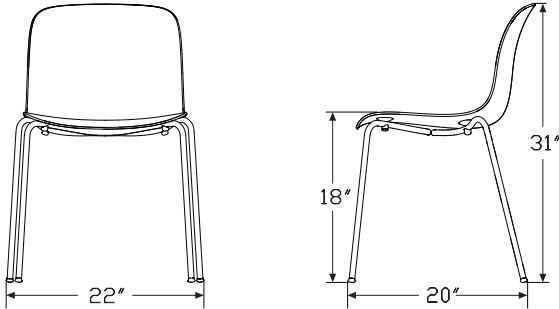
HermanMiller Collection—Outdoor Seating

**Product Information**

**Description**

This stacking chair has matching painted steel tube frame and plastic seat and back. Available with or without arms. Chairs stack up to 6 high. Package contains 2 chairs. Suitable for outdoor use.

**Dimensions**



**Specification Information**

**Step 1.**

**MGY10.**  A

**Step 2. Frame**

**P** painted frame no arms  A

**PA** painted frame with arms  A

**Prices for Steps 1-2.**

<b>MGY10. P</b>	\$803
<b>PA</b>	\$1026

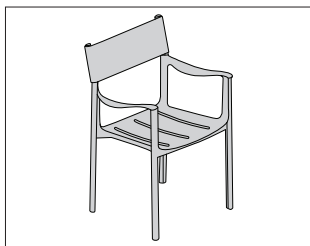
**Step 3. Seat Finish**

<b>YNG</b> black <input type="checkbox"/> A	+\$0
<b>YNJ</b> white <input type="checkbox"/> A	+\$0
<b>YLW</b> yellow <input type="checkbox"/> A	+\$0
<b>YGJ</b> purple <input type="checkbox"/> A	+\$0
<b>YBH</b> green <input type="checkbox"/> A	+\$0
<b>YGK</b> red <input type="checkbox"/> A	+\$0



# Venice Chair Outdoor

MGU10.

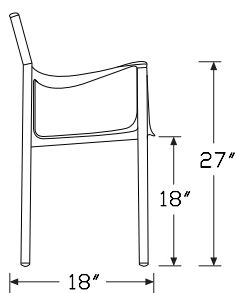
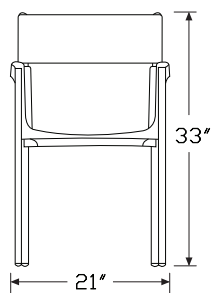


### Product Information

#### Description

This stacking chair with arms has a seat of die-cast aluminum painted in polyester powder. Legs are extruded aluminum and painted in polyester powder. Back is thermoplastic rubber. Chairs stack up to 6 high. Suitable for outdoor use. Sold in sets of 2 only.

#### Dimensions



### Specification Information

#### Step 1.

**MGU10.**  A \$1431

#### Step 2. Frame Finish

**YNJ** white  A +\$0

**YNG** black  A +\$0

#### Step 3. Seat Finish

**YBC** black  A +\$0

**YMP** grey  A +\$0

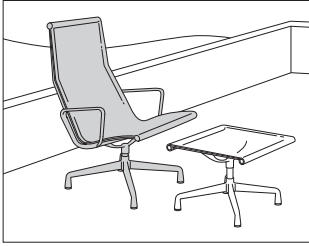
**YBH** green  A +\$0

**YMN** light blue  A +\$0

**YBG** fuchsia  A +\$0

**YBM** orange  A +\$0

Eames® Aluminum Group Lounge Chair Outdoor EA516



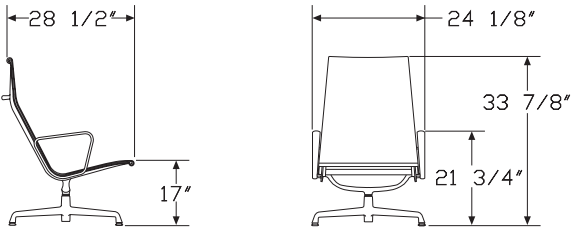
HermanMiller Collection—Outdoor Seating

**Product Information**

**Description**

This outdoor lounge chair has a lightweight aluminum frame and suspended mesh upholstery. It has a 4-star swiveling base with adjustable glides.

**Dimensions**



**Specification Information**

**Step 1.**

**EA516** [A] \$1858

**Step 2. Base/Frame Finish**

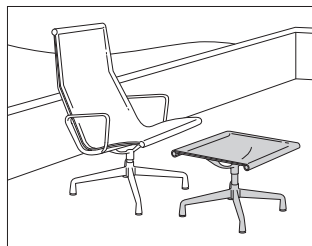
**BK** black [A] +\$140  
**G2** graphite satin [A] +\$140  
**91** white [A] +\$140

**Step 3. Fabric**

Price Category 6 +\$236

Eames® Aluminum Group  
Ottoman Outdoor

EA523

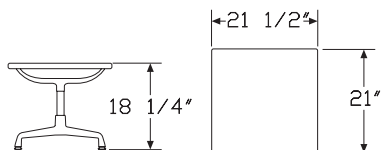


**Product Information**

**Description**

This outdoor ottoman has a lightweight aluminum frame and suspended mesh upholstery. It has a 4-star base with adjustable glides.

**Dimensions**



**Specification Information**

**Step 1.**

**EA523** A \$888

**Step 2. Base/Frame Finish**

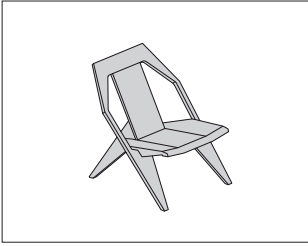
**BK** black A +\$72  
**G2** graphite satin A +\$72  
**91** white A +\$72

**Step 3. Fabric**

Price Category 6 +\$125

# Medici Chair Outdoor

MGM01.



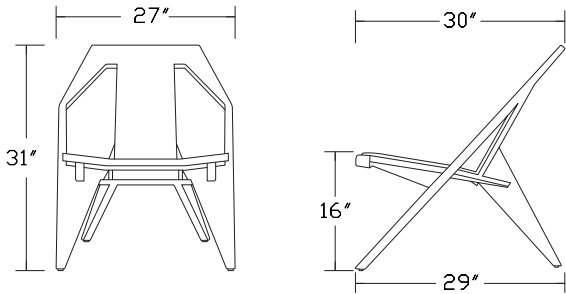
HermanMiller Collection—Outdoor Seating

### Product Information

**Description**  
This solid wood chair with armrests is available in natural thermo oiled finish. Suitable for outdoor use.

**Notes**  
Product should be oiled at least once a year to maintain finish quality. Refer to care and maintenance instructions for applying oil based finishes.

### Dimensions



### Specification Information

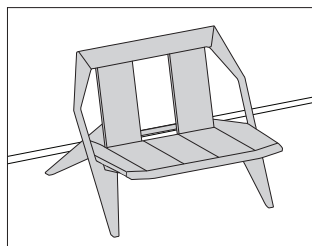
**Step 1.**  
**MGM01.**

**Step 3. Frame Finish**  
**ZQK** natural thermo oiled

**Prices for Steps 1-3.**  
**MGM01.ZQK** \$1750

# Medici Bench Outdoor

MGM21.



### Product Information

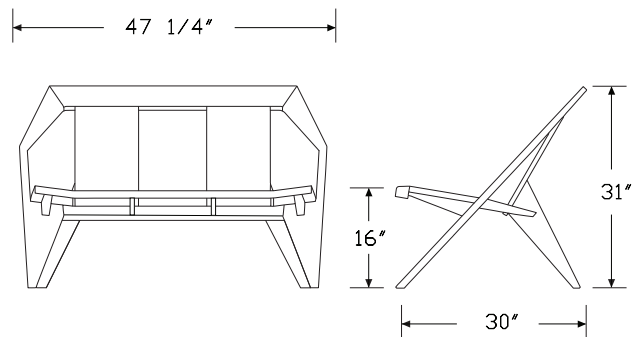
#### Description

This solid wood bench comes in natural thermo oiled finish. Suitable for outdoor use.

#### Notes

Product should be oiled at least once per year to maintain finish quality. Refer to care and maintenance instructions for applying oil based finishes.

#### Dimensions



### Specification Information

#### Step 1.

**MGM21.** A

#### Step 2. Frame Finish

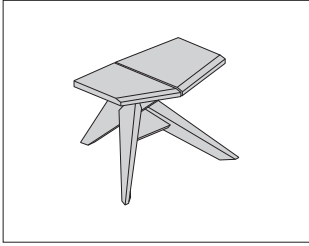
**ZQK** natural thermo oiled A

#### Prices for Steps 1-2.

**MGM21.ZQK** \$3600

Medici Ottoman Outdoor

MGV21.



Herman Miller Collection—Outdoor Seating

Product Information

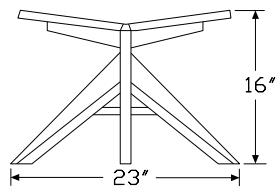
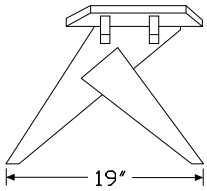
Description

This solid wood stool is available in natural thermo oiled finish. Suitable for outdoor use.

Notes

Product should be oiled at least once a year to maintain finish quality. Refer to care and maintenance instructions for applying oil based finishes.

Dimensions



Specification Information

Step 1.

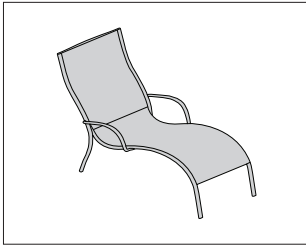
MGV21. [A] \$1012

Step 2. Frame Finish

ZQK natural thermo oiled [A] +\$0

Paso Doble Chaise Lounge  
Outdoor

MGP50.

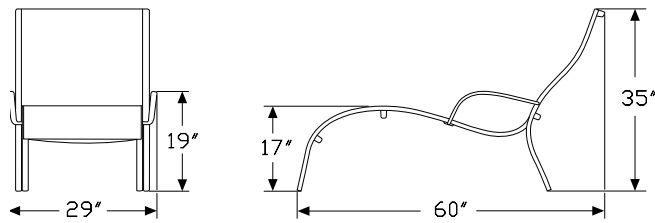


**Product Information**

**Description**

This outdoor stacking chaise lounge comes with an aluminum frame. The arms and crosspieces are made of die-cast aluminum. Chairs can stack up to 6 high.

**Dimensions**



**Specification Information**

**Step 1.**

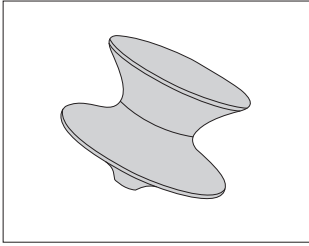
**MGP50.** [A] \$2205

**Step 2. Chair Color**

**YKB** black [A] +\$0

# Spun Rotating Chair

MGN00.



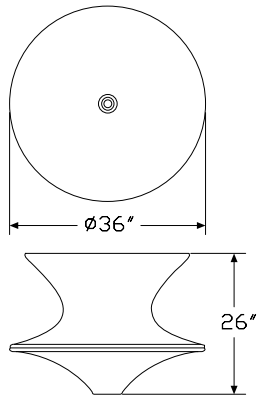
Herman Miller Collection—Outdoor Seating

## Product Information

### Description

This rotating low chair is made from polyethylene and is suitable for outdoor use.

### Dimensions



## Specification Information

### Step 1.

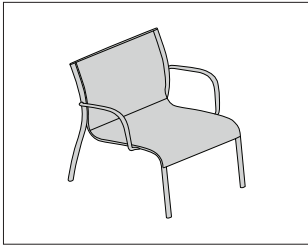
**MGN00.**

\$772

### Step 2. Finish

<b>YLB</b>	dark purple <input type="checkbox"/>	+\$0
<b>YLD</b>	red <input type="checkbox"/>	+\$0
<b>YLG</b>	white <input type="checkbox"/>	+\$0
<b>YLH</b>	grey anthracite <input type="checkbox"/>	+\$0



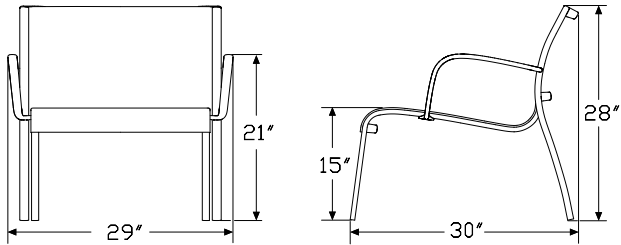


**Product Information**

**Description**

This outdoor stacking low chair comes with an aluminum frame and is available with or without arms. The arms and crosspieces are die-cast aluminum. Chairs can stack up to 6 high. Package contains 2 chairs.

**Dimensions**



**Specification Information**

**Step 1.**

**MGP11.**  A

**Step 2. Arms**

**N** no arms  A

**A** arms  A

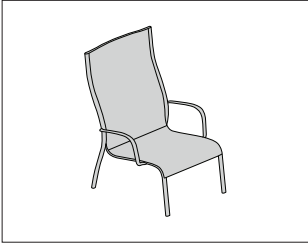
**Prices for Steps 1-2.**

<b>MGP11.N</b>	\$1802
<b>A</b>	\$2382

**Step 3. Chair Color**

**YKB** black  A + \$0

Paso Doble Low Chair High Back MGP12.  
Outdoor

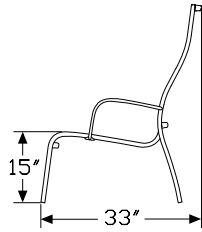
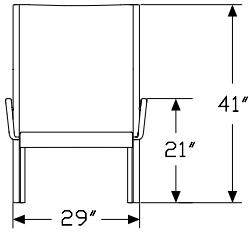


HermanMiller Collection—Outdoor Seating

**Product Information**

**Description**  
This outdoor stacking low chair with high back is available with or without arms. The frame is aluminum and the arms and crosspieces are die-cast aluminum. Chairs can stack up to 6 high. Package contains 2 chairs.

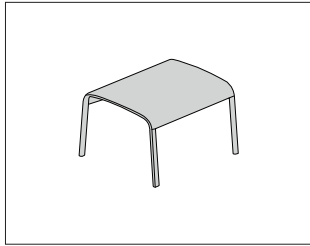
**Dimensions**



**Specification Information**

<b>Step 1.</b>	
<b>MGP12.</b> [A]	\$2600
<b>Step 2. Chair Color</b>	
<b>YKB</b> black [A]	+ \$0

Paso Doble Foot Stool Outdoor MGP13.

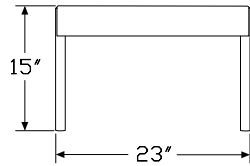
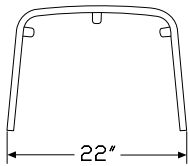


**Product Information**

Description

This outdoor footstool has an aluminum frame. The crosspieces are made of die-cast aluminum. Package contains 2 footstools.

Dimensions



**Specification Information**

Step 1.

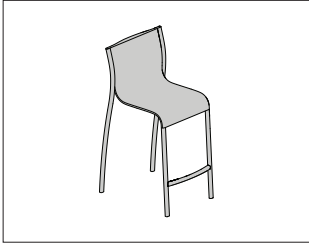
**MGP13.**  A \$1357

Step 2. Stool Color

**YKB** black  A +\$0

Paso Doble Stool Outdoor

MGP30.



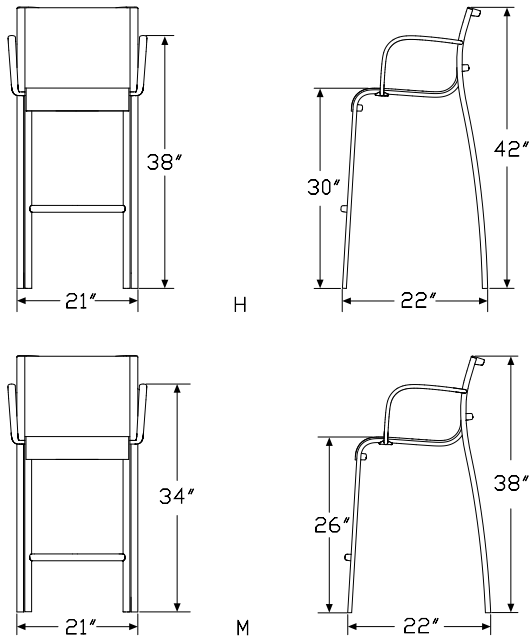
HermanMiller Collection—Outdoor Seating

**Product Information**

**Description**

This outdoor stacking bar stool comes in high and medium height and is available with or with arms. The frame is aluminum, and the arms, crosspieces, and footrest are die-cast aluminum. Bar stools can stack up to 6 high. Package contains 2 bar stools.

**Dimensions**



**Specification Information**

**Step 1.**

**MGP30.** [A]

**Step 2. Height**

**H** high height [A]

**M** medium height [A]

**Step 3. Arms**

**N** no arms [A]

**A** arms [A]

**Prices for Steps 1-3.**

	N	A
<b>MGP30.H</b>	\$1531	2028
<b>M</b>	\$1482	1966

**Step 4. Stool Color**

**YKB** black [A] +\$0



**Product Information**

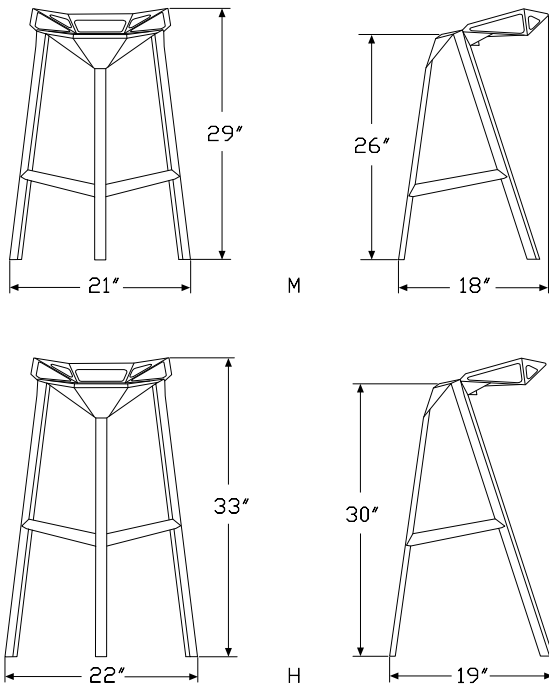
**Description**

This outdoor bar stool comes in a high and medium height. The seat and leg finishes available are polished aluminum and anodised aluminum black. Bar stools can stack up to 4 high. Package contains 2 bar stools.

**Notes**

Stool is flame retardant.

**Dimensions**



**Specification Information**

**Step 1.**

**MGE30.** [A]

**Step 2. Height**

**M** medium height [A]

**H** high height [A]

**Step 3. Leg Material**

**AM** painted aluminum [A]

**AB** anodised aluminum black [A]

**Prices for Steps 1-3.**

	AM	AB
<b>MGE30.M</b>	\$965	1017
<b>H</b>	\$1028	1071

**Step 4. Seat/Leg Finish**

*For painted aluminum (AM)*

**YHM** red [A] +\$0

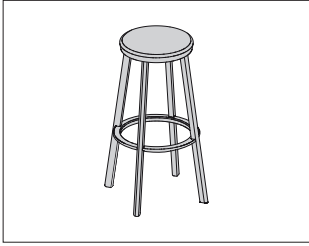
**YHP** white [A] +\$0

*For anodised aluminum black (AB)*

**YHB** black [A] +\$0

# Deja-Vu Stool Outdoor

MGD21.



HermanMiller Collection—Outdoor Seating

### Product Information

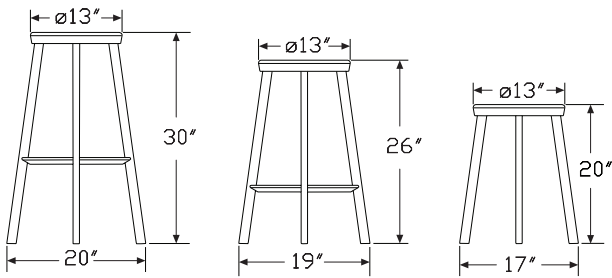
#### Description

This bar stool is available in a high, medium, and low height. The seat and leg finishes are black.

#### Notes

Stool is flame retardant.

#### Dimensions



### Specification Information

#### Step 1.

**MGD21.**  A

#### Step 2. Height

**L** low height  A

**M** medium height  A

**H** high height  A

#### Prices for Steps 1-2.

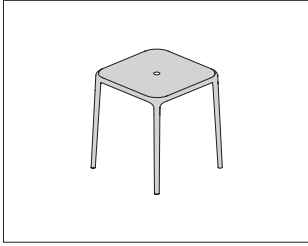
<b>MGD21.L</b>	\$389
<b>M</b>	\$511
<b>H</b>	\$533

#### Step 3. Seat/Leg Finish

**YFB** black  A + \$0

# Air-Table Outdoor

MGA71.

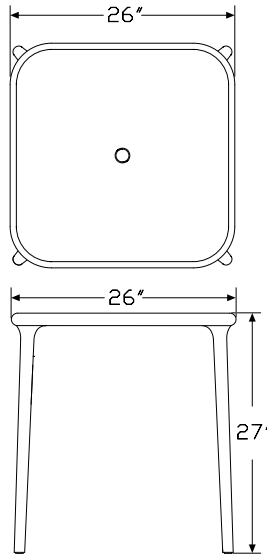
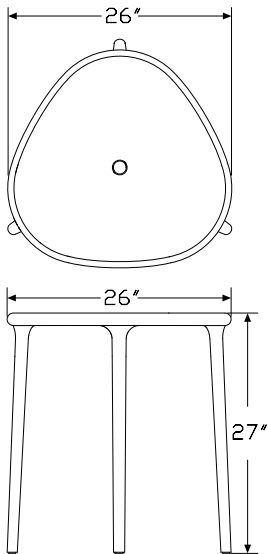


### Product Information

#### Description

This outdoor stacking and knocked-down table is made from polypropylene with glass fibre added. It is available in a triangle or square shape. Tables can stack up to 5 high.

#### Dimensions



### Specification Information

#### Step 1.

**MGA71.**  A

#### Step 2. Shape

**T** triangular  A

**S** square  A

#### Prices for Steps 1-2.

<b>MGA71.T</b>	\$366
<b>S</b>	\$420

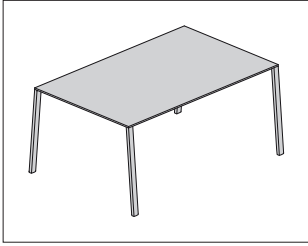
#### Step 3. Finish

**YBB** beige  A + \$0

**YBP** white  A + \$0

Table\_One Outdoor

MGE71.



HermanMiller Collection—Outdoor Tables

**Product Information**

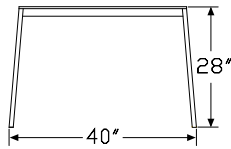
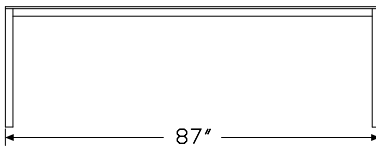
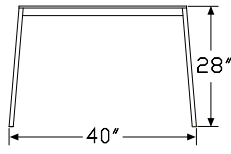
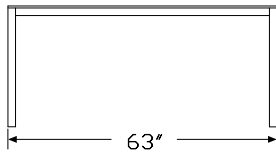
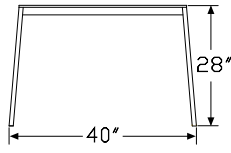
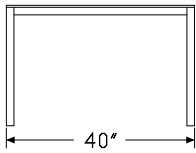
**Description**

The frame of this outdoor table is an anodised aluminum tube. The top is a high pressure laminate. Joints are die-cast aluminum.

**Notes**

The frame and top finishes come in black only. No color options are available.

**Dimensions**



**Specification Information**

**Step 1.**

**MGE71.** [A]

**Step 2. Size**

**4040** 40" x 40" [A]

**6340** 63" x 40" [A]

**8740** 87" x 40" [A]

**Prices for Steps 1-2.**

<b>MGE71.4040</b>	\$1839
<b>6340</b>	\$2155
<b>8740</b>	\$2798

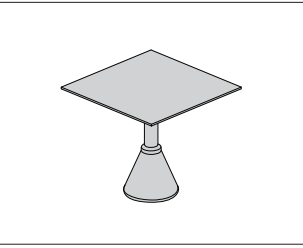
**Step 3. Base Finish**

**YHB** black [A] + \$0

**Step 4. Top Finish**

**YHB** black [A] + \$0





**Product Information**

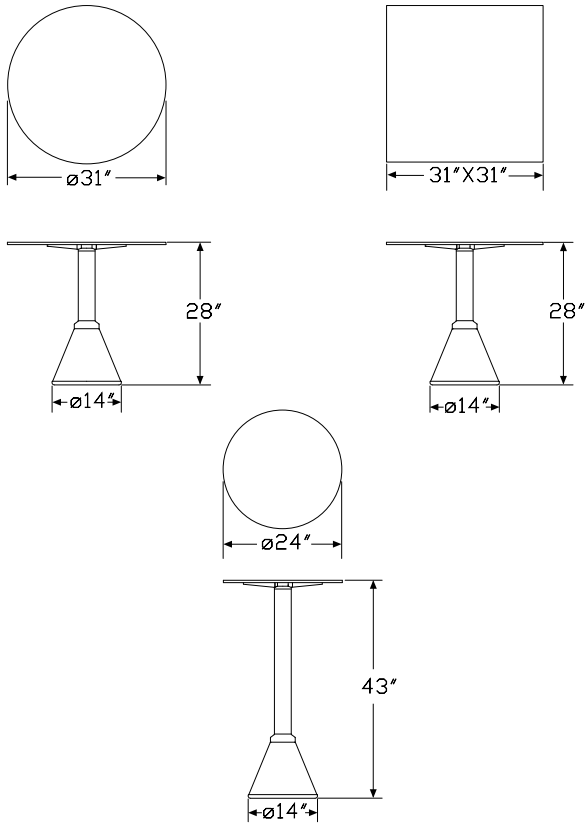
**Description**

The shape of this outdoor table is available in round or square with a concrete base. The frame is an anodised aluminum tube. The top is high pressure laminate.

**Notes**

Finishes for the top and base come in black only. No color options are available.

**Dimensions**



**Specification Information**

**Step 1.**

**MGE81.**

**Step 2. Shape**

**R** round

**S** square

**Step 3. Height**

*For round (R)*

**28** 28" high

**43** 43" high

*For square (S)*

**28** 28" high

**Prices for Steps 1-3.**

	<b>28</b>	<b>43</b>
<b>MGE81.R</b>	\$1240	1143
<b>S</b>	\$1191	—

**Step 4. Base Finish**

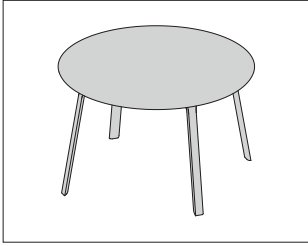
**YHB** black  +\$0

**Step 5. Top Finish**

**YHB** black  +\$0

Table First Outdoor

MGF80.



HermanMiller Collection—Outdoor Tables

**Product Information**

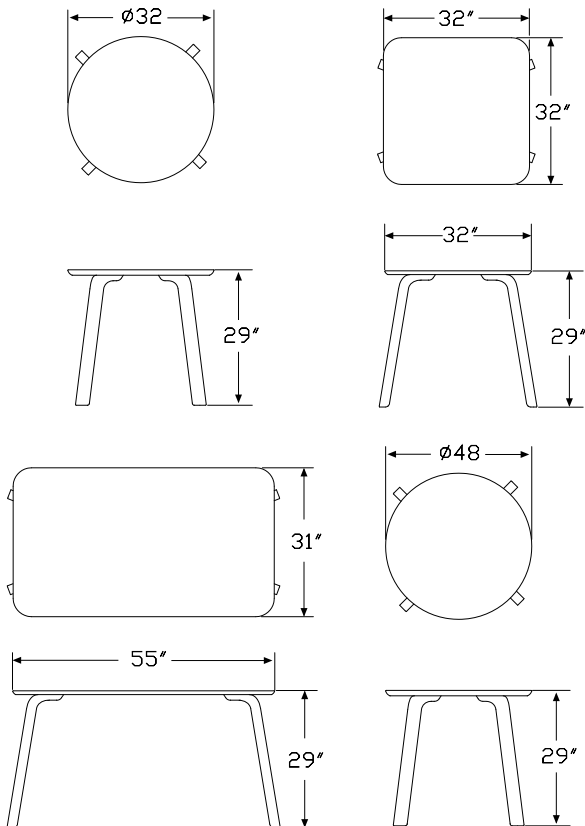
**Description**

The shape of this outdoor table is available in round, square, or rectangular. The top is high pressure laminate, and the legs are made from polypropylene with glass fibre added.

**Notes**

Top is 1/2" thick.

**Dimensions**



**Specification Information**

**Step 1.**

**MGF80.** [A]

**Step 2. Size/Shape**

- 3155** 31" x 55" rectangular [A]
- 3232** 32" x 32" square [A]
- 3200** 32" round [A]
- 4800** 48" round [A]

**Prices for Steps 1-2.**

<b>MGF80.3155</b>	\$1264
<b>3232</b>	\$1066
<b>3200</b>	\$969
<b>4800</b>	\$1603

**Step 3. Leg Finish**

<b>YGC</b> black [A]	+ \$0
<b>YGM</b> white [A]	+ \$0

**Step 4. Top Finish**

*For black (YGC)*

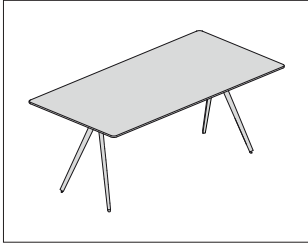
<b>YGC</b> black [A]	+ \$0
----------------------	-------

*For white (YGM)*

		<b>3155</b>	<b>3232</b>	<b>3200</b>	<b>4800</b>
<b>YGN</b> white with black edge [A]		+ \$0	0	0	0
<b>YGM</b> white [A]		+ \$198	224	381	579

# Baguette Table Outdoor

MGG71.

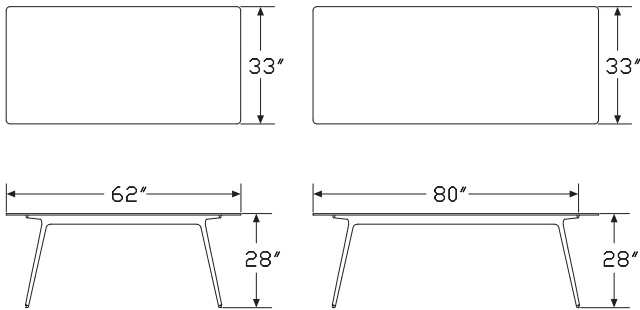


### Product Information

#### Description

The legs of this table are painted cast aluminum. The crosspiece is painted aluminum. The top is made of quartzite (3/4"-thick), or Italian ardesia slate (3/4"-thick).

#### Dimensions



### Specification Information

#### Step 1.

**MGG71.**

#### Step 2. Size

**3362** 33" x 62" rectangular

**3380** 33" x 80" rectangular

#### Prices for Steps 1-2.

<b>MGG71.3362</b>	\$2108
<b>3380</b>	\$2313

#### Step 3. Frame Finish

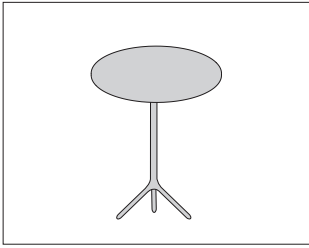
<b>YCB</b> black <input type="checkbox"/>	+\$0
<b>YCF</b> white <input type="checkbox"/>	+\$0

#### Step 4. Top Finish

	<b>3362</b>	<b>3380</b>
<b>YJC</b> magis® ardesia slate <input type="checkbox"/>	+\$986	1022

Central Table Outdoor

MGG81.

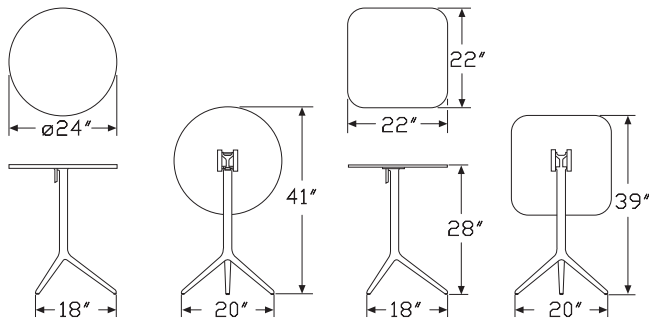


HermanMiller Collection—Outdoor Tables

**Product Information**

**Description**  
 This table is available in a round or square shape with a painted cast aluminum frame.

**Dimensions**



**Specification Information**

Step 1.

**MGG81.**  A

Step 2. Shape

**R** round  A  
**S** square  A

Prices for Steps 1-2.

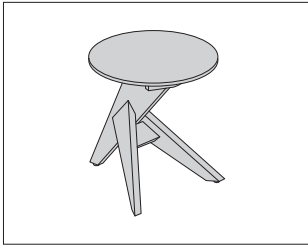
**MGG81.R** \$1006  
**S** \$1006

Step 3. Frame/Top Finish

**YCB** black  A +\$0  
**YCF** white  A +\$91

# Medici Table Outdoor

MGV71.



### Product Information

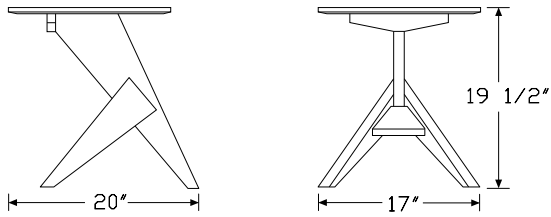
#### Description

This solid wood table is available in natural thermo oiled finish. Suitable for outdoor use.

#### Notes

Product should be oiled at least once a year to maintain finish quality. Refer to care and maintenance instructions for applying oil based finishes.

#### Dimensions



### Specification Information

#### Step 1.

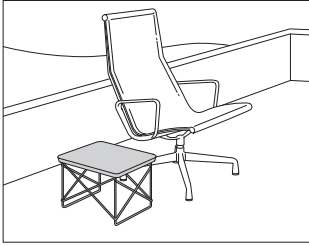
**MGV71.**  A \$1078

#### Step 2. Frame Finish

**ZQK** natural thermo oiled  A +\$0

# Eames® Wire Base Low Table Outdoor

LTRT.



HermanMiller Collection—Outdoor Tables

## Product Information

### Description

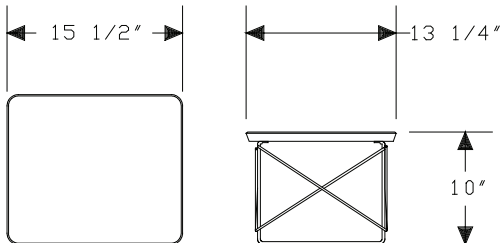
This outdoor table has a 3/4"-thick stone top or a thin profile HPL top. The base is powder-coated wire.

### Notes

Stone has a honed finish and knife edge profile.

Natural characteristics in stone cause variations in hues, veins, crystals, and distinctive marks. These variations and subtle changes seen as the stone ages are values associated with natural materials. No two tabletops are identically the same; variations in both color and veining are to be expected. Over time the stone may fade in color, staining of the surface may appear, and surface cracks-if not already visible at time of purchase-may appear. Small cracks do not affect the structure of the tabletop.

### Dimensions



## Specification Information

### Step 1.

**LTRT.5** A

### Step 2. Top Type

**S** stone A

**M** thin profile HPL top A

### Prices for Steps 1-2.

<b>LTRT.5 S</b>	\$215
<b>M</b>	\$215

### Step 3. Top Finish

#### For stone (S)

<b>5U</b> georgia grey marble <span style="border: 1px solid black; padding: 0 2px;">A</span>	+\$1359
<b>HR</b> wisconsin black marble <span style="border: 1px solid black; padding: 0 2px;">A</span>	+\$1419
<b>CRR</b> Carrara marble <span style="border: 1px solid black; padding: 0 2px;">A</span>	+\$1289

#### For thin profile HPL top (M)

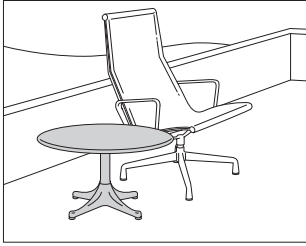
<b>91</b> white <span style="border: 1px solid black; padding: 0 2px;">A</span>	+\$110
<b>BK</b> black <span style="border: 1px solid black; padding: 0 2px;">A</span>	+\$110
<b>G1</b> graphite <span style="border: 1px solid black; padding: 0 2px;">A</span>	+\$110

### Step 4. Base Finish

<b>91</b> white <span style="border: 1px solid black; padding: 0 2px;">A</span>	+\$21
<b>G2</b> graphite satin <span style="border: 1px solid black; padding: 0 2px;">A</span>	+\$21
<b>BK</b> black <span style="border: 1px solid black; padding: 0 2px;">A</span>	+\$21

# Nelson™ Pedestal Table Outdoor

5451.  
5452.  
5453.  
5454.  
5455.



## Product Information

### Description

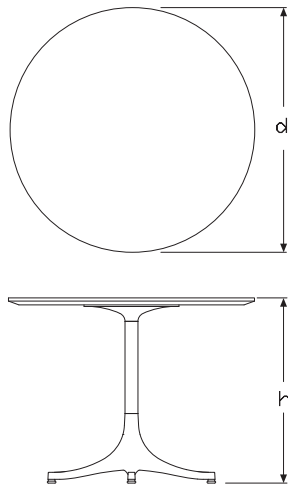
This outdoor table has a 3/4" thick stone top or a thin profile HPL top and adjustable glides.

### Notes

Stone has a honed finish and knife edge profile.

Natural characteristics in stone cause variations in hues, veins, crystals, and distinctive marks. These variations and subtle changes seen as the stone ages are values associated with natural materials. No two tabletops are identically the same; variations in both color and veining are to be expected. Over time the stone may fade in color, staining of the surface may appear, and surface cracks-if not already visible at time of purchase-may appear. Small cracks do not affect the structure of the tabletop.

### Dimensions



## Specification Information

### Step 1.

545 [A]

### Step 2. Height/Diameter

1.5 21 1/2" high x 17" diameter  
5.5 26" high x 17" diameter [A]  
2.5 16" high x 28 1/2" diameter  
3.5 21 1/2" high x 28 1/2" diameter  
4.5 26" high x 28 1/2" diameter [A]

### Step 3. Surface Material

M thin profile HPL top [A]  
S stone top [A]

### Prices for Steps 1-3.

5451.5	M	\$850
	S	\$2130
5455.5	M	\$850
	S	\$2130
5452.5	M	\$1850
	S	\$3399
5453.5	M	\$1850
	S	\$3399
5454.5	M	\$1850
	S	\$3399

### Step 4. Base Finish

91	white [A]	+\$0
91	white [A]	+\$30
G2	graphite satin [A]	+\$0
G2	graphite satin [A]	+\$30
BK	black [A]	+\$30

### Step 5. Top Finish

#### For stone top (S)

		1.5	5.5	2.5	3.5	4.5
5U	georgia grey marble [A]	+\$225	225	360	360	360
HR	wisconsin black marble [A]	+\$631	631	1022	1022	1022
CRR	Carrara marble [A]	+\$100	100	285	285	285

# Nelson™ Pedestal Table Outdoor

continued

HermanMiller Collection—Outdoor Tables

		<i>For thin profile HPL top (M)</i>				
		1.5	5.5	2.5	3.5	4.5
<b>91</b>	white <span style="border: 1px solid black; padding: 0 2px;">A</span>	+\$0	0	0	0	0
<b>BK</b>	black <span style="border: 1px solid black; padding: 0 2px;">A</span>	+\$0	0	0	0	0
<b>G1</b>	graphite <span style="border: 1px solid black; padding: 0 2px;">A</span>	+\$0	0	0	0	0



# Index by Product Name

<b>HermanMiller Collection Accessories</b>	
1, 2, 3, 8-Pack	page(s) 592
360° Container (5 drawer w/casters)	593
Beware of Imitations Poster	589
Box	603
Cu-Clock, 4-Pack	594
Dalmatian Puppy	597
Eames® Hang-It-All®	585
Eames® Molded Plywood Folding Screen	586
Environmental Enrichment Panel, Brick	607
Environmental Enrichment Panel, Diagonals	611
Environmental Enrichment Panel, Four Leaf Clover	608
Environmental Enrichment Panel, Geometry	612
Environmental Enrichment Panel, Hand & Dove	613
Environmental Enrichment Panel, Ribbons	610
Environmental Enrichment Panel, Stars	609
Girard® Throw	587
Half Nelson™ Lamp	632
Media Stand	605
Nelson™ Apple Bubble Pendant	614
Nelson™ Ball Bubble Pendant	615
Nelson™ Ball Crisscross Bubble Pendant	623
Nelson™ Ball Lotus Table Lamp	633
Nelson™ Ball Tripod Lamp	636
Nelson™ Ball Wall Sconce	628
Nelson™ Bell Bubble Pendant	616
Nelson™ Cigar Bubble Pendant	617
Nelson™ Cigar Crisscross Bubble Pendant	624
Nelson™ Cigar Lotus Floor Lamp	640
Nelson™ Cigar Lotus Table Lamp	634
Nelson™ Cigar Tripod Lamp	637
Nelson™ Cigar Wall Sconce	629
Nelson™ Fireplace Tool Set	590
Nelson™ Lantern Bubble Pendant	619
Nelson™ Lantern Tripod Lamp	638
Nelson™ Pear Bubble Pendant	620
Nelson™ Pear Crisscross Bubble Pendant	625
Nelson™ Pear Lotus Floor Lamp	641
Nelson™ Pear Lotus Table Lamp	635
Nelson™ Pear Tripod Lamp	639
Nelson™ Pear Wall Sconce	630
Nelson™ Propeller Bubble Pendant	621
Nelson™ Saucer Bubble Pendant	622
Nelson™ Saucer Crisscross Bubble Pendant	626
Nelson™ Saucer Wall Sconce	631
Nelson™ Triple Bubble Lamp Fixture	627

Paper Tray	606
Pencil Cup	601
Puppy, 2-Pack	596
Steelwood Coat Stand	598
Textiles & Objects Poster	588
Tissue Box	604
Transit Folding Trolley	599
Trash Bin, 4-Pack	600
Tray	602
Umbrella Stand	595
<b>HermanMiller Collection Bedroom</b>	
Nelson™ Daybed	page(s) 579
Nelson™ Thin Edge Bed	580
<b>HermanMiller Collection Desks and Tables</b>	
AGL™ Table Group	page(s) 375
AGL™ Table Group Power Kit	378
AGL™ Table Group Power Kit, Chicago version	380
Air-Table	394
Baguette Table	395
Brabo Occasional Table	431
Branca Table	414
Burdick Group™ Base Assembly	386
Burdick Group™ Beam	385
Burdick Group™ Oval Table	383
Burdick Group™ Rectangular Table	382
Burdick Group™ Rectangular Work Surface	388
Burdick Group™ Round Work Surface	387
Central Table	396
Claw Occasional Table, Square	435
Claw Table	434
Deja-Vu Table	397
Distil Desk	373
Distil Table	374
Eames® Coffee Table	420
Eames® Desk Unit	371
Eames® Molded Plywood Coffee Table Metal Base	422
Eames® Molded Plywood Coffee Table Wood Base	423
Eames® Rectangular Coffee Table	424
Eames® Wire Base Elliptical Table	425
Eames® Wire Base Low Table	426
Full Round Table	436
Girard Hexagonal Table	448
Girard Splayed Leg Table	449
H-Frame Coffee Table	444
H-Frame Side Table	442
I-Beam Coffee Table	446

# Index by Product Name *continued*

Index: Product Name

I-Beam Side Table	447	Tuxedo Component Lounge Tables Tray	450
Layer Occasional Table, High Nesting	469	<b>HermanMiller Collection Outdoor Furniture</b>	
Layer Occasional Table, Low Nesting	471	Air-Chair Outdoor	page(s) 648
Layer Occasional Table, No Shelf	463	Air-Table Outdoor	671
Layer Occasional Table, Stone Shelf	464	Baguette Table Outdoor	675
Layer Occasional Table, Wood Drawer	467	Central Table Outdoor	676
Layer Occasional Table, Wood Shelf	465	Chair First Outdoor	652
Medici Table	419	Chair_One Outdoor	649
Nelson™ Pedestal Table	427	Chair_One Stacking Outdoor	650
Nelson™ Swag Leg Desk	372	Deja-Vu Chair Outdoor	654
Nelson™ Swag Leg Dining Table Rectangular	389	Deja-Vu Stool Outdoor	670
Nelson™ Swag Leg Dining Table Round	390	Eames® Aluminum Group Lounge Chair Outdoor	658
Nelson™ Swag Leg Work Table	391	Eames® Aluminum Group Ottoman Outdoor	659
Nelson™ X-Leg Table	392	Eames® Aluminum Group Side Chair Outdoor	645
Noguchi® Rudder Table	430	Eames® Wire Base Low Table Outdoor	678
Noguchi® Table	429	Eames® Wire Chair Outdoor	646
Officina Bistro Table	400	Eames® Wire Stool Outdoor	647
Officina Console Table	402	Folding Air-Chair Outdoor	651
Officina Fratino Table	401	Medici Bench Outdoor	661
Officina Pedestal Table	403	Medici Chair Outdoor	660
Officina Table	398	Medici Ottoman Outdoor	662
Osso Table	417	Medici Table Outdoor	677
Pizza Table	418	Mila Chair	653
Polygon Wire Table	473	Nelson™ Pedestal Table Outdoor	679
Primo Table	413	Paso Doble Chair Outdoor	655
Saiba Table Glass Top	459	Paso Doble Chaise Lounge Outdoor	663
Saiba Table Thin Profile Top	461	Paso Doble Foot Stool Outdoor	667
Saiba Table Wood Top	456	Paso Doble Low Chair High Back Outdoor	666
Solo Table	415	Paso Doble Low Chair Outdoor	665
Steelwood Extending Table	407	Paso Doble Stool Outdoor	668
Steelwood Table	405	Spun Rotating Chair	664
Steelwood Table System	406	Stool_One Outdoor	669
Striped Tavolo	408	Table First Outdoor	674
Table First	409	Table_One Bistro Outdoor	673
Table_One	410	Table_One Outdoor	672
Table_One Bistro	411	Troy Plastic Outdoor Chair	656
Tavolo XZ3 Table	412	Venice Chair Outdoor	657
Traffic Low Side Table	479	<b>HermanMiller Collection Seating</b>	
Traffic Low Side Table, Suitable for Outdoor Use	480	Air-Chair	page(s) 35
Traffic Low Square Table	477	Air-Chair to Air-Chair Connector	36
Traffic Low Square Table, Suitable for Outdoor Use	478	Air-Folding Chair	37
Traffic Low Table	475	Al Bombo® Kit	197
Traffic Low Table, Suitable for Outdoor Use	476	Al Bombo® Stool	196
Tronco Table	416	Bevel Chaise	265
Tuxedo Component Lounge Tables Rectangular	454	Bevel Club Chair	261
Tuxedo Component Lounge Tables Square	452	Bevel Corner	262

Bevel Curved Settee	268	ColourForm Ottoman, Not Quilted, Single Textile	287
Bevel Ottoman	264	ColourForm Ottoman, Quilted, Single Textile	288
Bevel Rounded Ottoman	270	ColourForm Sofa, Not Quilted, Single Textile	278
Bevel Settee	263	ColourForm Sofa, Quilted, Single Textile	280
Bevel Single Seat	269	ColourForm Sofa, Quilted, Two Textiles	282
Bevel Sofa	266	ColourForm Tete-a-Tete, Not Quilted, Single Textile	295
Bolster Chaise	276	ColourForm Tete-a-Tete, Quilted, Single Textile	296
Bolster Club Chair	271	ColourForm Tete-a-Tete, Quilted, Two Textiles	297
Bolster Corner	272	Crosshatch Lounge Chair	137
Bolster Ottoman	275	Crosshatch Ottoman	140
Bolster Settee	273	Crosshatch Side Chair	86
Bolster Sofa	277	Crosshatch Stool	226
Bombo® Stool	198	Deja-Vu Chair	44
Brabo Lounge Chair	185	Deja-Vu Stool	199
Brabo Settee	350	Dressed First	43
Brabo Sofa	353	Eames® Aluminum Group Executive Chair	246
Branca Chair	57	Eames® Aluminum Group Lounge Chair	90
Branca Stool	207	Eames® Aluminum Group Management Chair	248
Bumper Conference Chair	256	Eames® Aluminum Group Ottoman	92
Bumper Lounge Chair	135	Eames® Aluminum Group Side Chair	5
Bumper Side Chair	69	Eames® Chaise	111
Chadwick Base Cover Kit	305	Eames® Executive Chair	254
Chadwick Module	303	Eames® Lounge Chair	98
Chadwick Power Entry	306	Eames® Lounge Chair and Ottoman	95
Chadwick Power Jumper	308	Eames® Lounge Chair and Ottoman White Ash	97
Chadwick Receptacle Kit	307	Eames® Lounge Chair and Ottoman, Ebony	96
Chair First	38	Eames® Lounge Chair White Ash	100
Chair_One	40	Eames® Lounge Chair, Ebony	99
Chair_One Stacking Base	39	Eames® Molded Fiberglass Armchair	28
Chair_One Cushion	42	Eames® Molded Fiberglass Side Chair	17
Chiaro Chair	58	Eames® Molded Fiberglass Stool	214
Chiaro Stool	208	Eames® Molded Plastic Armchair	25
Clerici Armchair	130	Eames® Molded Plastic Armchair Rocker Base	104
Clerici Three Seat Bench	132	Eames® Molded Plastic Side Chair	13
Clerici Two Seat Bench	131	Eames® Molded Plastic Stool	217
ColourForm Bench, Not Quilted, Single Textile	300	Eames® Molded Plywood Dining Chair Metal Base	9
ColourForm Bench, Quilted, Single Textile	301	Eames® Molded Plywood Dining Chair Wood Base	11
ColourForm Chaise, Not Quilted, Single Textile	289	Eames® Molded Plywood Lounge Chair Metal Base	107
ColourForm Chaise, Quilted, Single Textile	291	Eames® Molded Plywood Lounge Chair Wood Base	109
ColourForm Chaise, Quilted, Two Textiles	293	Eames® Molded Wood Side Chair	21
ColourForm Club Chair, Not Quilted, Single Textile	284	Eames® Molded Wood Stool	220
ColourForm Club Chair, Quilted, Single Textile	285	Eames® Ottoman	101
ColourForm Club Chair, Quilted, Two Textiles	286	Eames® Ottoman White Ash	103
ColourForm Corner, Not Quilted, Single Textile	298	Eames® Ottoman, Ebony	102
ColourForm Corner, Quilted, Single Textile	299	Eames® Side Chair Stacking Base Dolly	22
ColourForm Ganging Kit	302	Eames® Sofa	345

## Index by Product Name *continued*

Eames® Sofa Compact	344	Osso Stool	212
Eames® Soft Pad Group Executive Chair	250	Paso Doble Chair	47
Eames® Soft Pad Group Management Chair	252	Paso Doble Chaise	113
Eames® Soft Pad Lounge Chair	93	Paso Doble Lounge Chair	114
Eames® Soft Pad Ottoman	94	Paso Doble Lounge Chair High Back	115
Eames® Soft Pad Side Chair	7	Paso Doble Ottoman	116
Eames® Upholstered Molded Fiberglass Armchair	30	Paso Doble Stool	202
Eames® Upholstered Molded Fiberglass Side Chair	19	Primo Chair	63
Eames® Upholstered Molded Fiberglass Stool	215	Rolled Arm Club Chair	142
Eames® Upholstered Molded Plastic Armchair	26	Rolled Arm Sofa	356
Eames® Upholstered Molded Plastic Armchair Rocker Base	105	S.S.S.S. Stool	203
Eames® Upholstered Molded Plastic Side Chair	15	Saiba Conference Chair	85
Eames® Upholstered Molded Plastic Stool	218	Saiba Guest Chair	182
Eames® Upholstered Molded Wood Side Chair	32	Saiba Lounge	180
Eames® Upholstered Molded Wood Stool	221	Saiba Multitask Chair	258
Eames® Walnut Stool	194	Saiba Ottoman	181
Eames® Wire Chair	23	Scissor Chair	148
Eames® Wire Stool	223	She Said Chair	60
Envelope® Chair	67	She Said Lowide Chair	61
Folly	229	She Said Stool	209
Folly Floor Kit	230	Sled Chair	150
Full Twist™ Guest Chair	71	Solo Chair	62
Girard Color Wheel Ottoman	361	Solo Stool	211
Goetz™ Sofa	347	Spot Stool	224
He Said Chair	59	Spun Rotating Chair	129
Landmark Chair	78	Stanley Chair	89
Landmark Low Arm Chair	75	Steelwood Chair	48
Lyra Stool	200	Steelwood Stool	204
Medici Chair	133	Steelwood Upholstered Chair	49
Medici Ottoman	134	Stool_One	205
Mila Chair	45	Stool_One Cushion	206
Module Lounge Seating Corner	313	Striad High-Back Lounge Chair, 4-Star Base	166
Module Lounge Seating Ottoman	315	Striad High-Back Lounge Chair, Wire Base	168
Module Lounge Seating Single Seat	311	Striad Low-Back Lounge Chair, 4-Star Base	174
Module Lounge Seating with Privacy Back Corner	310	Striad Low-Back Lounge Chair, Wire Base	176
Module Lounge Seating with Privacy Back Single Seat	309	Striad Mid-Back Lounge Chair, 4-Star Base	170
Nelson™ Coconut Lounge Chair	112	Striad Mid-Back Lounge Chair, Wire Base	172
Nelson™ Marshmallow Sofa	349	Striad Ottoman, 4-Star Base	178
Nelson™ Pedestal Stool	195	Striad Ottoman, Wire Base	179
Nelson™ Platform Bench	231	Taper Chair	259
Nelson™ Platform Bench Cushion	232	Tom & Jerry Stool	210
Nelson™ Swag Leg Armchair	34	Traffic Armchair Leather	118
Nessel Chair	81	Traffic Armchair Upholstered	117
Officina Chair	46	Traffic Armchair Upholstered (Suitable for Outdoor Use)	119
Officina Stool	201	Traffic Chaise Lounge Leather	127
Osso Chair	56	Traffic Chaise Lounge Upholstered	126

Traffic One-Seater Bench Leather	240
Traffic One-Seater Bench Upholstered	238
Traffic One-Seater Bench Upholstered (Suitable for Outdoor Use)	239
Traffic Platform Leather	245
Traffic Platform Upholstered	244
Traffic Tablet in Acrylic Stone	128
Traffic Three-Seater Sofa Leather	125
Traffic Three-Seater Sofa Upholstered	123
Traffic Three-Seater Sofa Upholstered (Suitable for Outdoor Use)	124
Traffic Two-Seater Bench Leather	243
Traffic Two-Seater Bench Upholstered	241
Traffic Two-Seater Bench Upholstered (Suitable for Outdoor Use)	242
Traffic Two-Seater Sofa Leather	122
Traffic Two-Seater Sofa Upholstered	120
Traffic Two-Seater Sofa Upholstered (Suitable for Outdoor Use)	121
Tronco Connector	66
Tronco Dolly	65
Tronco Stacking Chair	64
Troy Plastic Chair	50
Troy Upholstered Chair	52
Tuxedo Classic Club Chair	164
Tuxedo Classic Corner Settee	332
Tuxedo Classic Corner Sofa	340
Tuxedo Classic Settee	328
Tuxedo Classic Sofa	336
Tuxedo Component Lounge with Table - One Seat	158
Tuxedo Component Lounge with Table - Two Seats	161
Tuxedo Component Lounge™ Bench	234
Tuxedo Component Lounge™ Club Chair	152
Tuxedo Component Lounge™ Corner Sofa with Attached Settee	324
Tuxedo Component Lounge™ Corner Sofa with Attached Sofa	326
Tuxedo Component Lounge™ Daybed	156
Tuxedo Component Lounge™ Museum Bench	236
Tuxedo Component Lounge™ Ottoman	154
Tuxedo Component Lounge™ Settee	318
Tuxedo Component Lounge™ Settee Corner	320
Tuxedo Component Lounge™ Sofa	316
Tuxedo Component Lounge™ Sofa Corner	322
Venice Chair	54
Venice Cushion	55
Wireframe™ Chair	144
Wireframe™ Ottoman	146
Wireframe™ Sofa	359
Wood Base Club Chair	188
Wood Base Ottoman	191
Wood Base Settee	362

Wood Base Sofa	365
<b>HermanMiller Collection Storage</b>	
Domino Credenza	page(s) 501, 503, 505, 506, 509, 510
Domino Sideboard	502, 504, 507, 508, 511, 512
Eames® Storage Unit	483
H-Frame Credenza Four Units Wide	529
H-Frame Credenza One Unit Wide	513
H-Frame Credenza Stone Top	535
H-Frame Credenza Three Units Wide	525
H-Frame Credenza Two Units Wide	520
Nelson™ Basic Cabinet Series 16.5 x 18	485
Nelson™ Basic Cabinet Series 24 x 24	486
Nelson™ Basic Cabinet Series 24 x 34	487
Nelson™ Basic Cabinet Series 24 x 34 Bookcase	488
Nelson™ Basic Cabinet Series 34 x 40	489
Nelson™ Miniature Chest 6 Drawer	490
Nelson™ Miniature Chest 9 Drawer	491
Nelson™ Thin Edge Bedside Table	493
Nelson™ Thin Edge Buffet	497
Nelson™ Thin Edge Cabinet	495
Nelson™ Thin Edge Chest	494
Nelson™ Thin Edge Chest Cabinet	496
Nelson™ Thin Edge Double Dresser	498
Silverware Drawer Insert	536
Sled Base Credenza Four Units Wide	546
Sled Base Credenza Four Units Wide and Stone Top	561
Sled Base Credenza Three Units Wide	543
Sled Base Credenza Three Units Wide and Stone Top	558
Sled Base Credenza Two Units Wide	540
Sled Base Credenza Two Units Wide and Stone Top	555
Sled Base Mobile Credenza	567
Sled Base Mobile Credenza Stone Top	573
Sled Base Mobile Pedestal	564
Sled Base Mobile Pedestal Stone Top	570
Sled Base Pedestal	537
Sled Base Pedestal Stone Top	552
Steelwood Shelving System	499



# Index by Product Number

411	Eames® Walnut Stool	page(s) 194	AJN10	ColourForm Tete-a-Tete, Quilted, Two Textiles	297
412			AJN2B	ColourForm Bench, Not Quilted, Single Textile	300
413			AJN2B	ColourForm Bench, Quilted, Single Textile	301
473	Eames® Sofa Compact	344	AJN3B	ColourForm Bench, Not Quilted, Single Textile	300
5451.	Nelson™ Pedestal Table Outdoor	679	AJN3B	ColourForm Bench, Quilted, Single Textile	301
5451L	Nelson™ Pedestal Table	427	AJNG	ColourForm Ganging Kit	302
5451S			AL1C0	Bolster Ottoman	275
5451W			AL1C1	Bolster Chaise	276
5452.	Nelson™ Pedestal Table Outdoor	679	AL1C1	Bolster Club Chair	271
5452L	Nelson™ Pedestal Table	427	AL1C1	Bolster Corner	272
5452S			AL1C1	Bolster Settee	273
5452W			AL1C1	Bolster Sofa	277
5453.	Nelson™ Pedestal Table Outdoor	679	AL2C1	Module Lounge Seating Single Seat	311
5453L	Nelson™ Pedestal Table	427	AL2C2		
5453S			AL2C3	Module Lounge Seating Corner	313
5453W			AL2C4	Module Lounge Seating Ottoman	315
5454.	Nelson™ Pedestal Table Outdoor	679	AL2C5	Module Lounge Seating with Privacy Back Single Seat	309
5454L	Nelson™ Pedestal Table	427	AL2C7	Module Lounge Seating with Privacy Back Corner	310
5454S			AL6C0	Bevel Ottoman	264
5454W			AL6C0	Bevel Rounded Ottoman	270
5455.	Nelson™ Pedestal Table Outdoor	679	AL6C0	Bevel Single Seat	269
5455L	Nelson™ Pedestal Table	427	AL6C1	Bevel Chaise	265
5455S			AL6C1	Bevel Club Chair	261
5455W			AL6C1	Bevel Corner	262
5569.	Nelson™ Coconut Lounge Chair	112	AL6C1	Bevel Settee	263
5670	Nelson™ Marshmallow Sofa	349	AL6C1	Bevel Sofa	266
66332	Girard Color Wheel Ottoman	361	AL6C2	Bevel Curved Settee	268
66353	Girard Hexagonal Table	448	AL6C3		
66356	Girard Splayed Leg Table	449	ALNHS	Layer Occasional Table, High Nesting	469
ACL1A	Claw Table	434	ALNLT	Layer Occasional Table, Low Nesting	471
ACL2A	Claw Occasional Table, Square	435	ALYDA	Layer Occasional Table, Wood Drawer	467
AJN04	ColourForm Ottoman, Not Quilted, Single Textile	287	ALYDW		
AJN04	ColourForm Ottoman, Quilted, Single Textile	288	ALYSA	Layer Occasional Table, Wood Shelf	465
AJN10	ColourForm Chaise, Not Quilted, Single Textile	289	ALYSN	Layer Occasional Table, No Shelf	463
AJN10	ColourForm Chaise, Quilted, Single Textile	291	ALYSS	Layer Occasional Table, Stone Shelf	464
AJN10	ColourForm Chaise, Quilted, Two Textiles	293	ALYSW	Layer Occasional Table, Wood Shelf	465
AJN10	ColourForm Club Chair, Not Quilted, Single Textile	284	ASB1A	Saiba Table Wood Top	456
AJN10	ColourForm Club Chair, Quilted, Single Textile	285	ASB1G	Saiba Table Glass Top	459
AJN10	ColourForm Club Chair, Quilted, Two Textiles	286	ASB1T	Saiba Table Thin Profile Top	461
AJN10	ColourForm Corner, Not Quilted, Single Textile	298	ASB1W	Saiba Table Wood Top	456
AJN10	ColourForm Corner, Quilted, Single Textile	299	AV3AL	Brabo Occasional Table	431
AJN10	ColourForm Sofa, Not Quilted, Single Textile	278	AV3AW		
AJN10	ColourForm Sofa, Quilted, Single Textile	280	AV3WL		
AJN10	ColourForm Sofa, Quilted, Two Textiles	282	AV3WW		
AJN10	ColourForm Tete-a-Tete, Not Quilted, Single Textile	295	AWB1Z	I-Beam Side Table	447
AJN10	ColourForm Tete-a-Tete, Quilted, Single Textile	296			

# Index by Product Number *continued*

Index: Product Number

AWB2G	I-Beam Coffee Table	446
AWB2M		
AWH2G	H-Frame Coffee Table	444
AWH2G	H-Frame Side Table	442
AWH2S	H-Frame Coffee Table	444
AWH2S	H-Frame Side Table	442
AWH2W	H-Frame Coffee Table	444
AWH2W	H-Frame Side Table	442
AWR2-	Full Round Table	436
AXT3-	Tuxedo Component Lounge Tables Tray	450
AXW2-	Tuxedo Component Lounge Tables Square	452
AXW3-	Tuxedo Component Lounge Tables Rectangular	454
B-3-7	Nelson™ Triple Bubble Lamp Fixture	627
BC1618	Nelson™ Basic Cabinet Series 16.5 x 18	485
BC2400	Nelson™ Basic Cabinet Series 24 x 34 Bookcase	488
BC2424	Nelson™ Basic Cabinet Series 24 x 24	486
BC2434	Nelson™ Basic Cabinet Series 24 x 34	487
BC3440	Nelson™ Basic Cabinet Series 34 x 40	489
BELLX	Nelson™ Bell Bubble Pendant	616
BG105	Burdick Group™ Beam	385
BG106		
BG107	Burdick Group™ Base Assembly	386
BG120	Burdick Group™ Rectangular Work Surface	388
BG121		
BG122	Burdick Group™ Round Work Surface	387
BG321	Burdick Group™ Rectangular Table	382
BG322		
BG331		
BG332		
BG335	Burdick Group™ Oval Table	383
BG336		
BG435		
BG436		
BK104	Wireframe™ Ottoman	146
BK110	Wireframe™ Chair	144
BK110	Wireframe™ Sofa	359
CCL100	Striad High-Back Lounge Chair, 4-Star Base	166
CCL101	Striad High-Back Lounge Chair, Wire Base	168
CCL200	Striad Mid-Back Lounge Chair, 4-Star Base	170
CCL201	Striad Mid-Back Lounge Chair, Wire Base	172
CCL300	Striad Low-Back Lounge Chair, 4-Star Base	174
CCL301	Striad Low-Back Lounge Chair, Wire Base	176
CCL400	Striad Ottoman, 4-Star Base	178
CCL401	Striad Ottoman, Wire Base	179

CM101	Chadwick Module	303
CM102		
CM103		
CM104	Chadwick Base Cover Kit	305
CM105	Chadwick Module	303
CM106		
CM107	Chadwick Power Entry	306
CM108	Chadwick Receptacle Kit	307
CM109	Chadwick Power Jumper	308
CTM.	Eames® Molded Plywood Coffee Table Metal Base	422
CTW.	Eames® Molded Plywood Coffee Table Wood Base	423
CTW1.	Eames® Rectangular Coffee Table	424
CY100.	Pencil Cup	601
CY101.	Tray	602
CY102.	Box	603
CY103.	Tissue Box	604
CY104.	Media Stand	605
CY105.	Paper Tray	606
DAF	Nelson™ Swag Leg Armchair	34
DAR.	Eames® Molded Plastic Armchair	25
DAR.	Eames® Upholstered Molded Plastic Armchair	26
DAW.	Eames® Molded Plastic Armchair	25
DAW.	Eames® Upholstered Molded Plastic Armchair	26
DAX.	Eames® Molded Plastic Armchair	25
DAX.	Eames® Upholstered Molded Plastic Armchair	26
DCM.	Eames® Molded Plywood Dining Chair Metal Base	9
DCW.	Eames® Molded Plywood Dining Chair Wood Base	11
DF100.	AGL™ Table Group	375
DF900.	AGL™ Table Group Power Kit	378
DF901.	AGL™ Table Group Power Kit, Chicago version	380
DFAR.	Eames® Molded Fiberglass Armchair	28
DFAR.	Eames® Upholstered Molded Fiberglass Armchair	30
DFAW.	Eames® Molded Fiberglass Armchair	28
DFAW.	Eames® Upholstered Molded Fiberglass Armchair	30
DFAX.	Eames® Molded Fiberglass Armchair	28
DFAX.	Eames® Upholstered Molded Fiberglass Armchair	30
DFHBM.	Eames® Molded Fiberglass Stool	214
DFHBM.	Eames® Upholstered Molded Fiberglass Stool	215
DFHBM.	Eames® Molded Fiberglass Stool	214
DFHBM.	Eames® Upholstered Molded Fiberglass Stool	215
DFSR.	Eames® Molded Fiberglass Side Chair	17
DFSR.	Eames® Upholstered Molded Fiberglass Side Chair	19
DFSS.	Eames® Molded Fiberglass Side Chair	17
DFSW.		
DFSW.	Eames® Upholstered Molded Fiberglass Side Chair	19
DFSX.	Eames® Molded Fiberglass Side Chair	17



# Index by Product Number *continued*

DFSX.	Eames® Upholstered Molded Fiberglass Side Chair	19	EA434	Eames® Soft Pad Group Management Chair	252
DKHBX.	Eames® Wire Stool	223	EA435		
DKHCX.			EA437	Eames® Soft Pad Group Executive Chair	250
DKHQBX	Eames® Wire Stool Outdoor	647	EA506	Eames® Aluminum Group Side Chair Outdoor	645
DKHQCX			EA508		
DKQR.	Eames® Wire Chair Outdoor	646	EA516	Eames® Aluminum Group Lounge Chair Outdoor	658
DKQX.			EA523	Eames® Aluminum Group Ottoman Outdoor	659
DKR.	Eames® Wire Chair	23	ECT30	Eames® Coffee Table	420
DKW.			EDU10.	Eames® Desk Unit	371
DKX.			EDU20.		
DOLLY.	Eames® Side Chair Stacking Base Dolly	22	EDU21.		
DSHBX.	Eames® Molded Plastic Stool	217	EE907	Environmental Enrichment Panel, Hand & Dove	613
DSHBX.	Eames® Upholstered Molded Plastic Stool	218	EE908	Environmental Enrichment Panel, Geometry	612
DSHCX.	Eames® Molded Plastic Stool	217	EE913	Environmental Enrichment Panel, Stars	609
DSHCX.	Eames® Upholstered Molded Plastic Stool	218	EE925	Environmental Enrichment Panel, Brick	607
DSR.	Eames® Molded Plastic Side Chair	13	EE929	Environmental Enrichment Panel, Four Leaf Clover	608
DSR.	Eames® Upholstered Molded Plastic Side Chair	15	EE937	Environmental Enrichment Panel, Diagonals	611
DSS.	Eames® Molded Plastic Side Chair	13	EE943	Environmental Enrichment Panel, Ribbons	610
DSW.			ES106	Eames® Chaise	111
DSW.	Eames® Upholstered Molded Plastic Side Chair	15	ES108	Eames® Sofa	345
DSX.	Eames® Molded Plastic Side Chair	13	ES110		
DSX.	Eames® Upholstered Molded Plastic Side Chair	15	ES204	Eames® Executive Chair	254
DWHBX.	Eames® Molded Wood Stool	220	ES670	Eames® Lounge Chair	98
DWHBX.	Eames® Upholstered Molded Wood Stool	221	ES670	Eames® Lounge Chair and Ottoman	95
DWHCX.	Eames® Molded Wood Stool	220	ES670	Eames® Lounge Chair and Ottoman White Ash	97
DWHCX.	Eames® Upholstered Molded Wood Stool	221	ES670	Eames® Lounge Chair and Ottoman, Ebony	96
DWSR.	Eames® Molded Wood Side Chair	21	ES670	Eames® Lounge Chair White Ash	100
DWSR.	Eames® Upholstered Molded Wood Side Chair	32	ES670	Eames® Lounge Chair, Ebony	99
DWSW.	Eames® Molded Wood Side Chair	21	ES671	Eames® Ottoman	101
DWSW.	Eames® Upholstered Molded Wood Side Chair	32	ES671	Eames® Ottoman White Ash	103
DWSX.	Eames® Molded Wood Side Chair	21	ES671	Eames® Ottoman, Ebony	102
DWSX.	Eames® Upholstered Molded Wood Side Chair	32	ESU100	Eames® Storage Unit	483
EA306	Eames® Aluminum Group Side Chair	5	ESU150		
EA308			ESU201		
EA316	Eames® Aluminum Group Lounge Chair	90	ESU230		
EA322			ESU420		
EA323	Eames® Aluminum Group Ottoman	92	ETRT.	Eames® Wire Base Elliptical Table	425
EA334	Eames® Aluminum Group Management Chair	248	FSW.	Eames® Molded Plywood Folding Screen	586
EA335			GS100.	Goetz™ Sofa	347
EA337	Eames® Aluminum Group Executive Chair	246	H737S	Nelson™ Lantern Bubble Pendant	619
EA406	Eames® Soft Pad Side Chair	7	H737T	Nelson™ Lantern Tripod Lamp	638
EA408			H761C	Nelson™ Ball Crisscross Bubble Pendant	623
EA416	Eames® Soft Pad Lounge Chair	93	H761L	Nelson™ Ball Bubble Pendant	615
EA422			H761L	Nelson™ Ball Lotus Table Lamp	633
EA423	Eames® Soft Pad Ottoman	94	H761M	Nelson™ Ball Bubble Pendant	615
			H761S		

# Index by Product Number *continued*

Index: Product Number

H761S	Nelson™ Ball Wall Sconce	628	IWCM2	Domino Credenza	506
H761T	Nelson™ Ball Tripod Lamp	636	IWCM3	Domino Credenza	509
H762C	Nelson™ Cigar Crisscross Bubble Pendant	624	IWCM4	Domino Credenza	510
H762L	Nelson™ Cigar Bubble Pendant	617	IWCS2	Domino Credenza	501
H762L	Nelson™ Cigar Lotus Floor Lamp	640	IWCS3	Domino Credenza	503
H762L	Nelson™ Cigar Lotus Table Lamp	634	IWCS4	Domino Credenza	505
H762M	Nelson™ Cigar Bubble Pendant	617	IWSM2	Domino Sideboard	508
H762S			IWSM3	Domino Sideboard	511
H762S	Nelson™ Cigar Wall Sconce	629	IWSM4	Domino Sideboard	512
H762T	Nelson™ Cigar Tripod Lamp	637	IWSS2	Domino Sideboard	502
H762X	Nelson™ Cigar Bubble Pendant	617	IWSS3	Domino Sideboard	504
H763C	Nelson™ Saucer Crisscross Bubble Pendant	626	IWSS4	Domino Sideboard	507
H763L	Nelson™ Saucer Bubble Pendant	622	JAH1-	Silverware Drawer Insert	536
H763M			JAS1-		
H763S			JCH1-	H-Frame Credenza One Unit Wide	513
H763S	Nelson™ Saucer Wall Sconce	631	JCH1S	H-Frame Credenza Stone Top	535
H763X	Nelson™ Saucer Bubble Pendant	622	JCH2-	H-Frame Credenza Two Units Wide	520
H766M	Nelson™ Apple Bubble Pendant	614	JCH2S	H-Frame Credenza Stone Top	535
H770C	Nelson™ Pear Crisscross Bubble Pendant	625	JCH3-	H-Frame Credenza Three Units Wide	525
H770L	Nelson™ Pear Lotus Floor Lamp	641	JCH3S	H-Frame Credenza Stone Top	535
H770L	Nelson™ Pear Lotus Table Lamp	635	JCH4-	H-Frame Credenza Four Units Wide	529
H770M	Nelson™ Pear Bubble Pendant	620	JCH4S	H-Frame Credenza Stone Top	535
H770S			JCS1-	Sled Base Pedestal	537
H770S	Nelson™ Pear Wall Sconce	630	JCS1S	Sled Base Pedestal Stone Top	552
H770T	Nelson™ Pear Tripod Lamp	639	JCS2-	Sled Base Credenza Two Units Wide	540
HA-BE	Beware of Imitations Poster	589	JCS2S	Sled Base Credenza Two Units Wide and Stone Top	555
HA-CC	Cu-Clock, 4-Pack	594	JCS3-	Sled Base Credenza Three Units Wide	543
HA-CO	360° Container (5 drawer w/casters)	593	JCS3S	Sled Base Credenza Three Units Wide and Stone Top	558
HA-CR	Steelwood Coat Stand	598	JCS4-	Sled Base Credenza Four Units Wide	546
HA-DP	Dalmatian Puppy	597	JCS4S	Sled Base Credenza Four Units Wide and Stone Top	561
HA-DT	1, 2, 3, 8-Pack	592	JMS1-	Sled Base Mobile Pedestal	564
HA-FP	Nelson™ Fireplace Tool Set	590	JMS1S	Sled Base Mobile Pedestal Stone Top	570
HA-GT	Girard® Throw	587	JMS2-	Sled Base Mobile Credenza	567
HA-PP	Puppy, 2-Pack	596	JMS2S	Sled Base Mobile Credenza Stone Top	573
HA-TH	Trash Bin, 4-Pack	600	LCM.	Eames® Molded Plywood Lounge Chair Metal Base	107
HA-TO	Textiles & Objects Poster	588	LCW.	Eames® Molded Plywood Lounge Chair Wood Base	109
HA-TT	Transit Folding Trolley	599	LTRT.	Eames® Wire Base Low Table	426
HA-US	Umbrella Stand	595	LTRT.	Eames® Wire Base Low Table Outdoor	678
HALFN	Half Nelson™ Lamp	632	MAS18	Spot Stool	224
HIA91	Eames® Hang-It-All®	585	MAS24		
HIABK			MAS30		
HIAML			MC14C.	Primo Chair	63
HIAOU			MC14T.	Primo Table	413
HIAUL			MGA00.	Air-Chair	35
IN50	Noguchi® Table	429	MGA01.	Air-Folding Chair	37
IN52	Noguchi® Rudder Table	430	MGA10.	Air-Chair Outdoor	648

# Index by Product Number *continued*

MGA11. Folding Air-Chair Outdoor	651	MGJ70. Osso Table	417
MGA70. Air-Table	394	MGK01. Tronco Stacking Chair	64
MGA71. Air-Table Outdoor	671	MGK70. Tronco Table	416
MGA90. Air-Chair to Air-Chair Connector	36	MGK91. Tronco Connector	66
MGB20. Al Bombo® Stool	196	MGK99. Tronco Dolly	65
MGB21. Bombo® Stool	198	MGL202 Lyra Stool	200
MGB90. Al Bombo® Kit	197	MGL30. S.S.S.S. Stool	203
MGC00. Folly	229	MGM00. Medici Chair	133
MGC90. Folly Floor Kit	230	MGM01. Medici Chair Outdoor	660
MGCH00 Chiaro Chair	58	MGM21. Medici Bench Outdoor	661
MGCH03 Chiaro Stool	208	MGN00. Spun Rotating Chair	129, 664
MGCL00 Clerici Armchair	130	MGP00. Paso Doble Chair	47
MGCL02 Clerici Two Seat Bench	131	MGP01. Paso Doble Lounge Chair	114
MGCL03 Clerici Three Seat Bench	132	MGP02. Paso Doble Lounge Chair High Back	115
MGD00. Deja-Vu Chair	44	MGP03. Paso Doble Ottoman	116
MGD10. Deja-Vu Chair Outdoor	654	MGP10. Paso Doble Chair Outdoor	655
MGD20. Deja-Vu Stool	199	MGP11. Paso Doble Low Chair Outdoor	665
MGD21. Deja-Vu Stool Outdoor	670	MGP12. Paso Doble Low Chair High Back Outdoor	666
MGD70. Deja-Vu Table	397	MGP13. Paso Doble Foot Stool Outdoor	667
MGE00. Chair_One	40	MGP20. Paso Doble Stool	202
MGE00. Chair_One Stacking Base	39	MGP30. Paso Doble Stool Outdoor	668
MGE10. Chair_One Outdoor	649	MGP40. Paso Doble Chaise	113
MGE10. Chair_One Stacking Outdoor	650	MGP50. Paso Doble Chaise Lounge Outdoor	663
MGE20. Stool_One	205	MGQ70. Officina Bistro Table	400
MGE30. Stool_One Outdoor	669	MGQ70. Officina Console Table	402
MGE70. Table_One	410	MGQ70. Officina Fratino Table	401
MGE71. Table_One Outdoor	672	MGQ70. Officina Pedestal Table	403
MGE80. Table_One Bistro	411	MGQ70. Officina Table	398
MGE81. Table_One Bistro Outdoor	673	MGR00. Branca Chair	57
MGE90. Chair_One Cushion	42	MGR20. Branca Stool	207
MGE91. Stool_One Cushion	206	MGR70. Branca Table	414
MGF00. Chair First	38	MGS00. Steelwood Chair	48
MGF01. Chair First Outdoor	652	MGS00. Steelwood Upholstered Chair	49
MGF70. Table First	409	MGS20. Steelwood Stool	204
MGF80. Table First Outdoor	674	MGS70. Steelwood Table	405
MGG70. Baguette Table	395	MGS71. Steelwood Extending Table	407
MGG71. Baguette Table Outdoor	675	MGS72. Steelwood Table System	406
MGG80. Central Table	396	MGS90. Steelwood Shelving System	499
MGG81. Central Table Outdoor	676	MGT70. Tavolo XZ3 Table	412
MGG90. Pizza Table	418	MGTJ20 Tom & Jerry Stool	210
MGH00. He Said Chair	59	MGU00. Venice Chair	54
MGH01. She Said Chair	60	MGU10. Venice Chair Outdoor	657
MGH02. She Said Lowide Chair	61	MGU90. Venice Cushion	55
MGH03. She Said Stool	209	MGV20. Medici Ottoman	134
MGJ00. Osso Chair	56	MGV21. Medici Ottoman Outdoor	662
MGJ01. Osso Stool	212	MGV70. Medici Table	419

# Index by Product Number *continued*

Index: Product Number

MGV71. Medici Table Outdoor	677	SBR5N Bumper Conference Chair	256
MGW70. Striped Tavolo	408	SBRA- Rolled Arm Club Chair	142
MGX00. Dressed First	43	SBRA- Rolled Arm Sofa	356
MGY01. Troy Upholstered Chair	52	SBRLN Bumper Side Chair	69
MGY08. Troy Plastic Chair	50	SBSC- Scissor Chair	148
MGY10. Troy Plastic Outdoor Chair	656	SBSD-	
MGZ00. Solo Chair	62	SBSU- Sled Chair	150
MGZ02. Solo Stool	211	SD205 Officina Chair	46
MGZ70. Solo Table	415	SD207 Officina Stool	201
NC526 Nelson™ Miniature Chest 6 Drawer	490	SEB1B Crosshatch Stool	226
NC529 Nelson™ Miniature Chest 9 Drawer	491	SEB1C	
NC556 Nelson™ Miniature Chest 6 Drawer	490	SES1A Crosshatch Lounge Chair	137
NC559 Nelson™ Miniature Chest 9 Drawer	491	SES1W	
NS585 Nelson™ Swag Leg Desk	372	SES2A Crosshatch Side Chair	86
NS585 Nelson™ Swag Leg Dining Table Rectangular	389	SES2W	
NS585 Nelson™ Swag Leg Dining Table Round	390	SES3A Crosshatch Ottoman	140
NS585 Nelson™ Swag Leg Work Table	391	SES3W	
NX100. Nelson™ X-Leg Table	392	SFA1P Taper Chair	259
PB. Nelson™ Platform Bench	231	SFA1S	
PBC. Nelson™ Platform Bench Cushion	232	SFA1T	
PROP Nelson™ Propeller Bubble Pendant	621	SFA2P	
PS16 Nelson™ Pedestal Stool	195	SFA2S	
PWL14 Polygon Wire Table	473	SFA2T	
PWL22		SFT1A Full Twist™ Guest Chair	71
PWL26		SFT1M	
PWM14		SFT1N	
PWM18		SFT1W	
PWM26		SNS1A Nessel Chair	81
PWS16		SNS1W	
PWS20		SNS2A	
PWS26		SNS2W	
RAR. Eames® Molded Plastic Armchair Rocker Base	104	ST1AN Tuxedo Component Lounge™ Club Chair	152
RAR. Eames® Upholstered Molded Plastic Armchair Rocker Base	105	ST1AQ	
SBEV- Envelope® Chair	67	ST1BN Tuxedo Component Lounge™ Ottoman	154
SBLAC Landmark Low Arm Chair	75	ST1BQ	
SBLAF		ST1NN Tuxedo Component Lounge™ Club Chair	152
SBLLC Landmark Chair	78	ST1NQ	
SBLLF		ST2AL Tuxedo Component Lounge™ Settee	318
SBN1H Saiba Conference Chair	85	ST2AN	
SBN1M		ST2AQ	
SBN3H Saiba Multitask Chair	258	ST2AR	
SBN3M		ST2BN Tuxedo Component Lounge™ Bench	234
SBN5H Saiba Lounge	180	ST2BQ	
SBN6 Saiba Ottoman	181	ST2CL Tuxedo Component Lounge™ Settee Corner	320
SBN7M Saiba Guest Chair	182	ST2CR	
SBR4N Bumper Lounge Chair	135		

Index by Product Number *continued*

ST2MN	Tuxedo Component Lounge™ Corner Sofa with Attached Settee	324	SZ3AB	Tuxedo Classic Sofa	336
ST2MQ			SZ3AL		
ST2NN	Tuxedo Component Lounge™ Settee	318	SZ3AN		
ST2NQ			SZ3AR		
ST3AL	Tuxedo Component Lounge™ Sofa	316	SZ3CL	Tuxedo Classic Corner Sofa	340
ST3AN			SZ3CR		
ST3AQ			SZ3ZL		
ST3AR			SZ3ZR		
ST3BN	Tuxedo Component Lounge™ Museum Bench	236	TB100.	Distil Desk	373
ST3BQ			TB200.	Distil Table	374
ST3CL	Tuxedo Component Lounge™ Sofa Corner	322	TE0204	Nelson™ Thin Edge Double Dresser	498
ST3CR			TE1618	Nelson™ Thin Edge Bedside Table	493
ST3DN	Tuxedo Component Lounge™ Daybed	156	TE2100	Nelson™ Thin Edge Chest	494
ST3DQ			TE2134	Nelson™ Thin Edge Cabinet	495
ST3MN	Tuxedo Component Lounge™ Corner Sofa with Attached Sofa	326	TE2167	Nelson™ Thin Edge Buffet	497
ST3MQ			TE3400	Nelson™ Thin Edge Chest Cabinet	496
ST3NN	Tuxedo Component Lounge™ Sofa	316	TE5088	Nelson™ Daybed	579
ST3NQ			TE5089		
SVV4A	Brabo Lounge Chair	185	TE5090		
SVV4W			TE5491	Nelson™ Thin Edge Bed	580
SVV5A	Brabo Settee	350	TE5492		
SVV5W			TE5493		
SVV6A	Brabo Sofa	353	TE5494		
SVV6W			TE5495		
SX1AL	Tuxedo Component Lounge with Table - One Seat	158	TT1AA	Wood Base Club Chair	188
SX1AR			TT1AW		
SX1NL			TT1BA	Wood Base Ottoman	191
SX1NR			TT1BW		
SX2AL	Tuxedo Component Lounge with Table - Two Seats	161	TT2AA	Wood Base Settee	362
SX2AR			TT2AW		
SX2CL			TT3AA	Wood Base Sofa	365
SX2CR			TT3AW		
SX2NL			XXSD1	Stanley Chair	89
SX2NR			XXSD2	Mila Chair	45, 653
SZ1AB	Tuxedo Classic Club Chair	164	XXSD2	Traffic Armchair Leather	118
SZ2AB	Tuxedo Classic Settee	328	XXSD2	Traffic Armchair Upholstered	117
SZ2AL			XXSD2	Traffic Armchair Upholstered (Suitable for Outdoor Use)	119
SZ2AN			XXSD2	Traffic Chaise Lounge Leather	127
SZ2AR			XXSD2	Traffic Chaise Lounge Upholstered	126
SZ2CL	Tuxedo Classic Corner Settee	332	XXSD2	Traffic One-Seater Bench Leather	240
SZ2CR			XXSD2	Traffic One-Seater Bench Upholstered	238
SZ2ZL			XXSD2	Traffic One-Seater Bench Upholstered (Suitable for Outdoor Use)	239
SZ2ZR			XXSD2	Traffic Platform Leather	245
			XXSD2	Traffic Platform Upholstered	244
			XXSD2	Traffic Tablet in Acrylic Stone	128

## Index by Product Number *continued*

Index: Product Number

XXSD2	Traffic Three-Seater Sofa Leather	125
XXSD2	Traffic Three-Seater Sofa Upholstered	123
XXSD2	Traffic Three-Seater Sofa Upholstered (Suitable for Outdoor Use)	124
XXSD2	Traffic Two-Seater Bench Leather	243
XXSD2	Traffic Two-Seater Bench Upholstered	241
XXSD2	Traffic Two-Seater Bench Upholstered (Suitable for Outdoor Use)	242
XXSD2	Traffic Two-Seater Sofa Leather	122
XXSD2	Traffic Two-Seater Sofa Upholstered	120
XXSD2	Traffic Two-Seater Sofa Upholstered (Suitable for Outdoor Use)	121
XXTV2	Traffic Low Side Table	479
XXTV2	Traffic Low Side Table, Suitable for Outdoor Use	480
XXTV2	Traffic Low Square Table	477
XXTV2	Traffic Low Square Table, Suitable for Outdoor Use	478
XXTV2	Traffic Low Table	475
XXTV2	Traffic Low Table, Suitable for Outdoor Use	476

# 20-Day or Less/Assigned Lead-Time Order Information

## 20-Day or Less and Assigned Lead-Time Programs

20-day or less and assigned lead-time products are designed for established Herman Miller dealers with pre-approved credit.

Products are distributed from multiple manufacturing facilities across the United States. All products and options not designated by an Assigned Lead-Time icon **A** will ship in 20 business days or less after being acknowledged by Herman Miller. Products and options designated by an **A** are on the assigned lead-time program and will ship in 20 days, less than 20 days, or more than 20 days from order acknowledgement.

## Ordering Procedure

Please place orders through Order Manager. If this is not available to you, place orders through mail or fax. Verbal purchase orders will not be accepted.

Order Entry fax number for Passage®, 5000 Series, and Meridian® Filing and Storage: (616) 846 9236.

Order Entry fax number for all other products:  
(616) 654 3085.

For more information, contact your Customer Care representative at:  
(866) 854 3048 EXT 3400.

## Shipments and Delivery

Per Herman Miller Terms and Conditions.

## Changes and Cancellation

Per Herman Miller Terms and Conditions.

# Stain-to-Match Program

## Stain-to-Match Program

### Program Overview

The Stain-to-Match program gives you the option of using veneer finishes that are not listed in the standard offering. The program allows Herman Miller to match a customer's existing recut or natural veneer, or create a new finish that is unique to an installation.

Specific information on approval, ordering, pricing, and warranty for the Stain-to-Match program is listed below. Questions and requests for assistance may be directed to Herman Miller Options at:

(800) 654 3910

### Stain-to-Match Process

1. Fill out the Options Stain-to-Match Request Form and send along with a color sample (2" x 3" minimum) to the Herman Miller Options Applications Team at the address provided on the form. The form can be found on Omni.
2. Within 7-10 working days, Herman Miller Options will send a sample of the color-matched stain on Herman Miller veneer to the requester for the customer's signed approval.
3. If the sample meets the customer's approval, sign the reverse side of the sample, scan and email the approval to:  
options@hermanmiller.com.
4. After the stain has been approved, a formal quotation with special number and pricing can be provided, or the product can be specified through the Vary Easy program, if available. Work with the Options team on final product needs and how to specify.
5. A purchase order can then be placed.

## Stain-to-Match Warranty

Herman Miller warrants its products to be free from defects in craftsmanship from the date of delivery for the applicable warranty period. Herman Miller is responsible for the physical properties of the veneers available through the Stain-to-Match program, which include:

- STA: Stain-to-Match on Recut Ash
- STB: Stain-to-Match on Beech
- STC: Stain-to-Match on Cherry
- STD: Stain-to-Match on Oak
- STK: Stain-to-Match on Reltech Anigre (Geiger)
- STM: Stain-to-Match on Recut Mahogany
- STP: Stain-to-Match on Maple
- STU: Stain-to-Match on Walnut (Geiger)

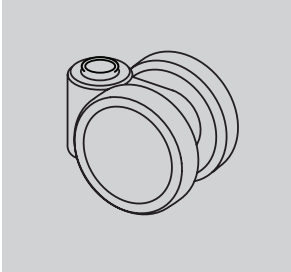
See your specification tool for product specific finish offering limitations.



# Casters and Glides

▲	<b>WARNING</b>	▲
Depending on the floor surface, chair may unexpectedly roll away from user when entering or exiting the chair, possibly leading to unexpected injury. Please refer to descriptions of floor types when selecting casters.		

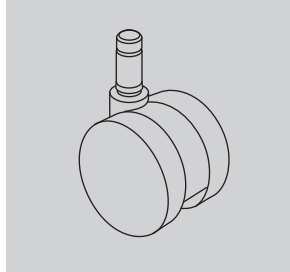
## 32 Caster



17/8-inch-diameter hard double-wheel caster; black nylon wheels and yoke; for use on carpet only

Applicable on:  
Keyn Chairs  
Sayl® Chairs

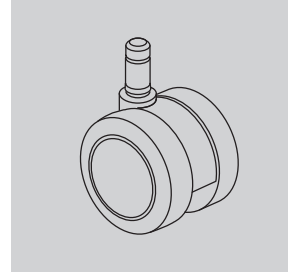
## BB Caster



2 1/2-inch-diameter hard double-wheel caster; black nylon wheels and yoke; for use on carpet only

Applicable on:  
New Aeron® Chairs  
Classic Aeron Chairs  
Caper® Chairs  
Celle® Chairs  
Embody® Chairs  
Equa 2® Chairs  
Ergon 3® Chairs  
Mirra 2 Chairs  
Sayl Chairs    Verus™ Chairs

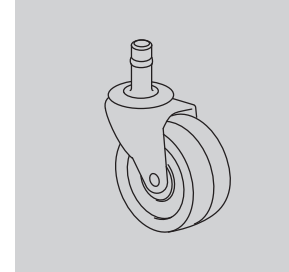
## C7 Caster



2 1/2-inch-diameter double-wheel caster; black nylon wheels and yoke; soft polyurethane tread; for use on hard floors or carpet

Applicable on:  
New Aeron Chairs  
Classic Aeron Chairs  
Caper Chairs  
Celle Chairs  
Embody Chairs  
Equa 2 Chairs  
Ergon 3 Chairs  
Mirra 2 Chairs  
Sayl Chairs  
Verus Chairs

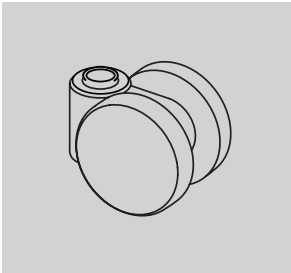
## CA Caster



2-inch-diameter single-wheel caster; black rubber wheel with black yoke; for use on hard floors or carpet

Applicable on:  
Co/Struc® System

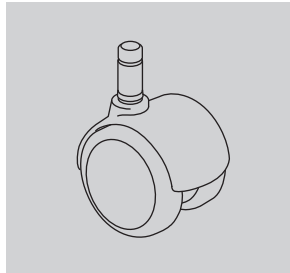
## 49 Caster



1 7/8-inch-diameter soft double-wheel caster; black nylon wheels and yoke; for use on hard floors or carpet

Applicable on:  
Keyn Chairs  
Sayl Chairs

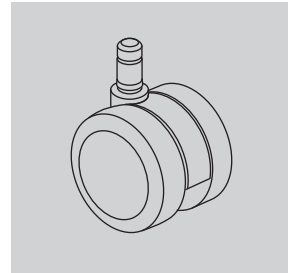
## BSC Caster



2-inch-diameter double-wheel caster; black nylon wheels and hood; soft polyurethane tread; for use on hard floors or carpet

Applicable on:  
Eames® Aluminum Group  
Eames Executive Chairs  
Eames Soft Pad Group

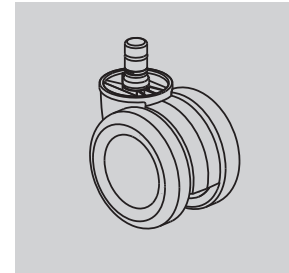
## C9 Caster



2 1/2-inch-diameter double-wheel caster; black nylon wheels and yoke; soft polyurethane tread; internal brake; for use on hard floors or carpet

Applicable on:  
Classic Aeron Chairs  
Caper Chairs  
Celle Chairs  
Embody Chairs  
Equa 2 Chairs    Sayl Chairs  
Ergon 3 Chairs    Setu® Stools  
Keyn Chairs    Verus Chairs  
Mirra 2 Chairs

## DC1 Caster



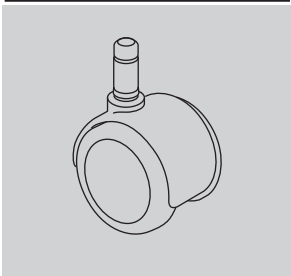
2 1/2-inch-diameter double-wheel braking caster; black nylon wheels and yoke; for use on hard floors or carpet; quiet roll technology

Applicable on:  
New Aeron Chairs

# Casters and Glides

continued

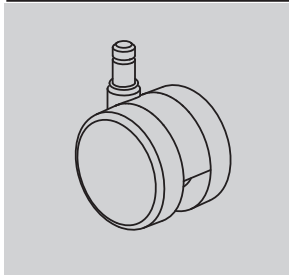
**DS Caster**



2-inch-diameter soft double-wheel braking caster; black nylon wheels and hood; for use on hard floors only

Applicable on:  
Aside® Chairs  
Caper Chairs

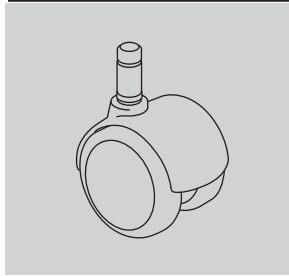
**HCC Caster**



2 1/2-inch-diameter double-wheel medium roll resistance caster; black yoke; for use on hard floors or carpet.

Applicable on:  
Keyn Chairs  
Setu Chairs

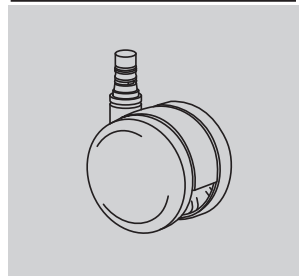
**MD Caster**



2-inch-diameter double-wheel caster; black nylon wheels with integral chrome hood; soft polyurethane tread; for use on hard floors or carpet

Applicable on:  
Eames® Aluminum Group  
Eames Executive Chairs  
Eames Soft Pad Group

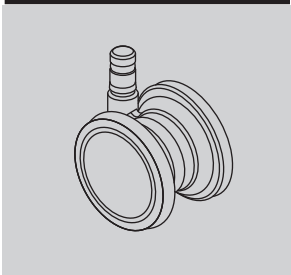
**SC8 Caster**



2 1/2-inch-diameter double-wheel caster; black nylon wheels and yoke; soft polyurethane tread; quiet roll technology; for use on hard floors or carpet

Applicable on:  
Mirra 2 Chairs

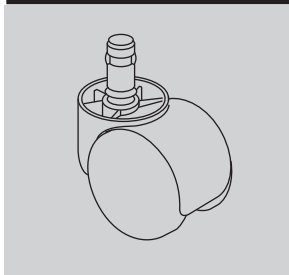
**H9 Caster**



2 1/2-inch-diameter double-wheel caster; clear polycarbonate wheels; nylon yoke; soft polyurethane tread; for use on carpet only.

Applicable on:  
Embody Chairs  
Keyn Chairs  
Setu Chairs

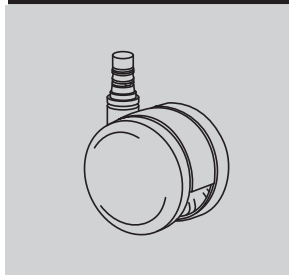
**HW Caster**



2-inch-diameter double-wheel caster; black nylon wheels and hood; for use on carpet only

Applicable on:  
Limerick® Cart

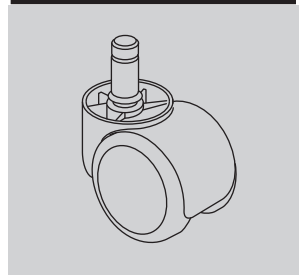
**OC Caster**



Setu-specific 2 1/2-inch-diameter double-wheel medium roll-resistant caster; black nylon wheels and yoke; soft polyurethane tread; for use on hard floors or carpet; quiet roll technology

Applicable on:  
Keyn Chairs  
Setu Chairs

**SW Caster**



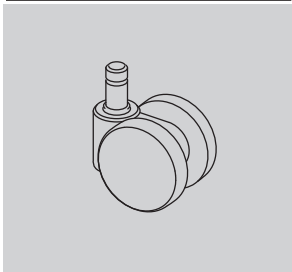
2-inch-diameter soft double-wheel caster; black nylon wheels and hood; for use on hard floors only

Applicable on:  
Limerick Cart

# Casters and Glides

continued

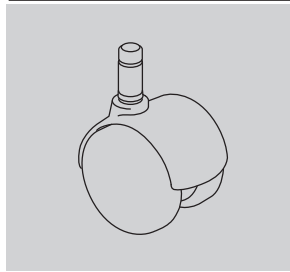
**U4 Caster**



1 7/8-inch-diameter hard double-wheel caster; black nylon wheels and yoke; for use on carpet only

Applicable on:  
Aside Chairs  
Caper Chairs  
Verus Chairs

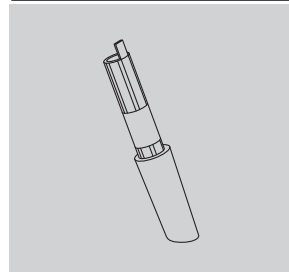
**UD Caster**



2-inch-diameter hard double-wheel caster; black nylon wheels with painted hood; for use on carpet only

Applicable on:  
Eames® Aluminum Group  
Eames Executive Chairs  
Eames Soft Pad Group

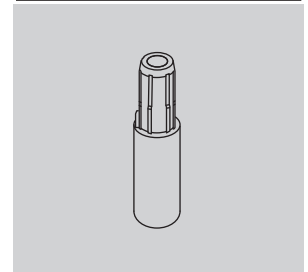
**16 Glide**



(Front glide shown)  
2 1/8-inch-high glide; black or fog acetal; for use on carpet only

Applicable on:  
Sayl Chairs

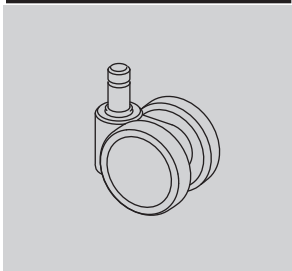
**AGL Glide**



2 1/4-inch-high glide; black or white nylon stem; for use on carpet only

Applicable on:  
Keyn Chairs

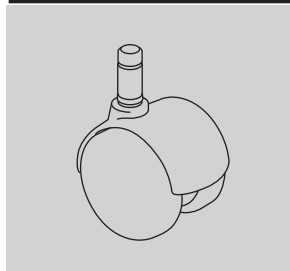
**U5 Caster**



1 7/8-inch-diameter soft double-wheel caster; black nylon wheels and yoke; for use on hard floors or carpet

Applicable on:  
Aside Chairs  
Caper Chairs  
Verus Chairs

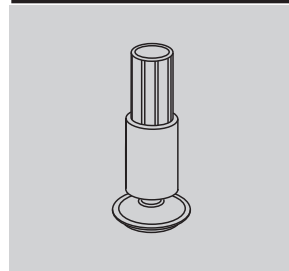
**VD Caster**



2-inch-diameter hard double-wheel caster; black nylon wheels with integral chrome hood; for use on carpet only

Applicable on:  
Eames Aluminum Group  
Eames Executive Chairs  
Eames Soft Pad Group

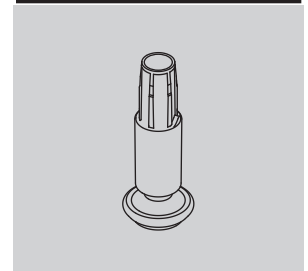
**69 Glide**



(Front glide shown)  
2 1/8-inch-high glide; black glass-filled nylon stem; steel-plated swivel foot with Floor Saver Glide™ insert; for use on hard floors only

Applicable on:  
Sayl Chairs

**FSG Glide**



2 1/4-inch-high glide; black or white nylon stem; steel-plated swivel foot with Floor Saver Glide™ insert; for use on hard floors only

Applicable on:  
Keyn Chairs

# Casters and Glides

continued



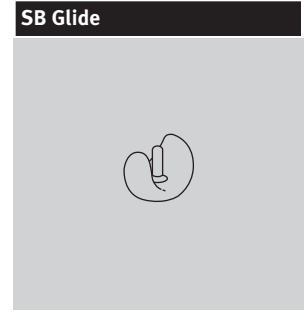
**G4 Glide**  
17/8-inch-high glide; black acetal; for use on carpet only  
Applicable on:  
Verus Chairs



**GF Glide**  
2 1/2-inch-high glide; black nylon; for use on hard floors or carpet  
Applicable on:  
New Aeron Chairs  
Classic Aeron Chairs  
Caper Chairs  
Celle Chairs  
Equa 2 Chairs  
Ergon 3 Chairs  
Mirra 2 Chairs  
Sayl Chairs



**GL Glide**  
17/8-inch-high glide; black nylon stem; steel-plated swivel foot with Floor Saver Glide™ insert; for use on hard floors only  
Applicable on:  
Verus chairs



**SB Glide**  
1/4-inch-high, 1-inch diameter glide; thermoplastic CAP material (G1 base has black glides; XT base has clear glides); for use on hard floors or carpet  
Applicable on:  
Classic Aeron Chairs  
Equa 2 Chairs



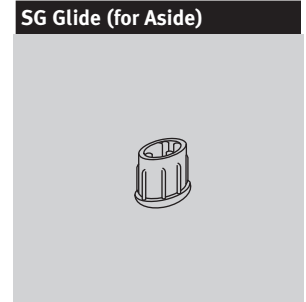
**GD Glide**  
1 1/2-inch-diameter glide; 1/2 inch in height; black nylon; for use on hard floors or carpet  
Applicable on:  
Eames Aluminum Group  
Eames Executive Chairs  
Eames Soft Pad Group



**GG Glide**  
1/2-inch-high ganging glide; clear polycarbonate; for use on hard floors or carpet  
Applicable on:  
Limerick Chairs



**HG Glide**  
1/2-inch-high glide; black nylon glide with stainless-steel insert; for use on hard floors or carpet  
Applicable on:  
Aside Chairs

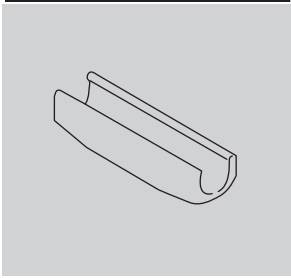


**SG Glide (for Aside)**  
1/2-inch-high glide; black nylon; for use on carpet only  
Applicable on:  
Aside Chairs

# Casters and Glides

continued

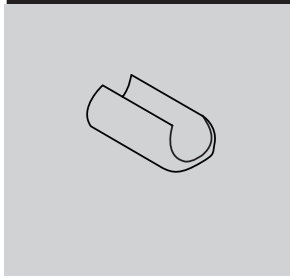
**SG Glide (for Limerick)**



1/2-inch-high glide; clear polycarbonate; for use on hard floors or carpet

Applicable on:  
Limerick Chairs

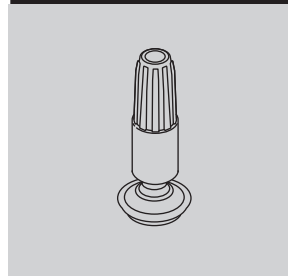
**XS Glide**



1/8-inch-high glide; polycarbonate in black, fog, clear, and studio white finishes; for use on hard floors or carpet

Applicable on:  
Sayl Chairs

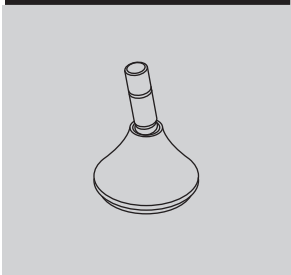
**YX Glide**



1 7/8-inch-high glide; black nylon stem; steel-plated swivel foot with Floor Saver Glide™ insert; for use on hard floors only

Applicable on:  
Caper Chairs

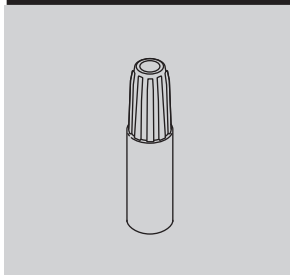
**X8 Glide**



Glide; low profile; for use on hard floors or carpet

Applicable on:  
Setu Chairs

**Y7 Glide**



1 7/8-inch-high glide; black acetal; for use on carpet only

Applicable on:  
Caper Chairs



# Customer's Own Material/Customer's Own Leather Order Information — Seating

## Packaging

Packaging varies according to individual product. A surcharge may be added for special packaging requests. Contact Customer Care for specific information.

## Customer's Own Material/Customer's Own Leather

### Program Overview

The Customer's Own Material (COM) and Customer's Own Leather (COL) program gives you the option of using textiles other than those listed. Herman Miller will test textiles for application to Herman Miller products and will process orders for those with approved COM/COL textiles only. COM/COL are assigned lead-time textiles.

Omni lists an overview of fabrics and leathers that have been tested and indicates whether or not they were approved for application to Herman Miller products.

Specific information on the terms and conditions, testing, approval, and ordering process for COM/COL is listed below. Questions about the COM/COL program and requests for assistance may be directed to your COM representative at:

(616) 654 3400

(866) 854 3048 EXT 6543400

### Customer's Own Material/Customer's Own Leather Warranty

Herman Miller does not warrant COM/COL textiles. COM/COL textiles are tested for application only; they are not tested for performance. The Herman Miller warranty does apply to the underlying products.

Suppliers of COM/COL textiles are responsible for color consistency within commercial tolerances, UV stability, and resistance to soiling and perspiration.

### Customer's Own Material/Customer's Own Leather Pricing

COM is a Category 1 fabric. There are no application charges for COM fabrics. COL is a Category 7 textile; refer to prices on specific products to determine the application charge.

Ordering and payment for COM/COL textile yardage are the responsibility of the customer and the textile supplier.

If desired, Herman Miller will purchase COM textiles directly from True Textiles, C.F. Stinson, Luna Textiles, Maharam, and Momentum Textiles to simplify ordering and shipment. For this service, refer to the Supplier Connection program.

## Textile Approval

1. Select a COM/COL textile and a Herman Miller product.
2. If your textile is not listed in Omni, obtain a test number from a COM representative at (616) 654 3400. You can also submit your request within Omni. Please have the following information ready before calling: textile name, number, pattern, roll width, and the product you will apply it to.

Additional yardage may be needed due to the unique characteristics of a textile. All package labels must include the words "COM test" or "COL test" and the assigned COM/COL test number.

3. Herman Miller will notify you of approval or disapproval within 4 days from receipt of the test yardage.

## Ordering Products with COM/COL

1. Refer to the specific products to determine the yardage required for COM/COL textiles.
2. If your textile is not listed in Omni, call a COM representative at (616) 654 3400 or (866) 854 3048 EXT 6543400. The representative will assign an identification number for your textile (ID#) and will verify yardage requirements for your order. Additional yardage may be needed due to the unique characteristics of a textile.
3. Enter your order on Order Manager in Omni.
4. Upon receipt of your purchase order, Herman Miller will send you a PO acknowledgment.
5. Arrangements must be made for the textiles to be shipped from the supplier to Herman Miller for application to the seating products. Textiles must be tagged with the assigned identification number and the roll yardage quantity. See Omni for shipping procedures and current shipping addresses or contact a COM representative at (616) 654 3400 or (866) 854 3048 EXT 6543400.

Products will be scheduled for production when COM/COL textiles are received at Herman Miller. Standard lead times in effect at that time will apply.

*Note: If textiles are to be purchased directly by Herman Miller through the Supplier Connection program, Herman Miller will handle the ordering and shipping process and will schedule your order for production upon receipt of your purchase order (dependent on textile availability). Refer to the Supplier Connection program for more information.*

# Customer's Own Material/Customer's Own Leather Order Information — Seating

continued

## Supplier Connection

### Program Overview

The Supplier Connection program is a service offered by Herman Miller to purchase approved COM textiles directly from True Textiles, C.F. Stinson, Luna Textiles, Maharam, and Momentum Textiles. When you select a textile through this program, Herman Miller will facilitate the ordering, scheduling, and shipment of the textile directly with the supplier.

Suppliers included in the Supplier Connection program keep an active inventory of textiles that are pre-approved for application to Herman Miller products. Pre-approval applies only to the suitability of a textile for manufacturing and application to a Herman Miller product. Omni provides an overview of fabrics that have been tested and indicates whether or not they were approved for application to Herman Miller products.

Specific information on the terms and conditions, testing, approval, and ordering process for the Supplier Connection program is listed below. Questions and requests for assistance may be directed to your COM representative at:

(616) 654 3400

(866) 854 3048 EXT 6543400

### Supplier Connection Warranty

Textiles purchased by Herman Miller through the Supplier Connection program are COM and are not warranted by Herman Miller. COM textiles are tested for application only; they are not tested for performance. The Herman Miller warranty does apply to the underlying products.

Suppliers of COM textiles are responsible for color consistency within commercial tolerances, UV stability, and resistance to soiling and perspiration.

### Supplier Connection Pricing

Textiles purchased by Herman Miller through the Supplier Connection program are COM. COM is a Category 1 fabric. There are no application charges for COM fabrics.

Payment for textiles purchased by Herman Miller through the Supplier Connection program is the responsibility of the customer or dealer. Herman Miller will invoice the order at the supplier's prices published at the time of the order.

### Textile Approval

1. Refer to Omni to identify the approval status of the textile. If your textile is not listed, contact the COM Department to request testing for application to Herman Miller products.
2. Herman Miller will notify you of approval or disapproval in approximately 4 days from receipt of the test yardage. If the textile is approved, it will be assigned a COM identification number.

### Ordering Products with Supplier Connection COM

1. Identify and include the following information on your purchase order:
  - Product number and option
  - Herman Miller's COM identification number
2. Enter your order on Order Manager in Omni.
3. Upon receipt of the purchase order, Herman Miller will process your order and send you a PO acknowledgment. Herman Miller will determine the yardage required to produce your product and will order and schedule for delivery the required textile. Standard lead times in effect at the time the textile is allocated at the supplier will apply to products ordered through this program.





# Proprietary Textiles Application Chart – Collection Seating

continued

- Available
  - [A] Assigned lead-time textile.
- See below for exception notes.

	Chadwick Modular Seating	Eames® Aluminum Group Outdoor	Eames Aluminum Group Chairs/Ottomans	Eames Soft Pad Group Chairs/Ottomans	Eames Executive Chairs	Eames Lounge Chairs/Ottomans	Eames Molded Fiberglass/Plastic/Wood Chairs Upholstered Seat Pad	Eames Molded Fiberglass/Plastic Chairs Upholstered	Eames Molded Plywood Chair Upholstered	Eames Wire Chair Upholstered Seat Pad	Eames Sofa Compact	Eames Sofa, 2 and 3 Seat	Goetz™ Sofa	Module Lounge Seating	Nelson™ Daybed Cushion/Bolsters	Nelson Platform Bench Cushion	Nelson Marshmallow Sofa	Nelson Pedestal Stool	Bevel Sofa/Bolster Sofa	Brabo Lounge Seating	Bumper Seating	Crosshatch Lounge Chair/Ottoman	Full Twist™ Chair/Landmark™ Chair	Nessel Chair	Envelope™ Chair	Rolled Arm Sofa Group	Saiba Seating	Scissor™ Chair	Sled™ Chair	Striad Lounge Chair/Ottoman	Tuxedo Component Lounge/Tuxedo Classic Seating—Non-quilted	Tuxedo Component Lounge/Tuxedo Classic Seating—Quilted	Wireframe™ Sofa Group				
<b>Price Category 6</b>																																					
165__	Classic Velvet - Geiger Textile										13				•						•	•	•	•													
72__	Outdoor Weave	•																																			
170__	Pick-Stitch Plaid - Geiger Textile										•				•																						
1AJ__	Sommar - Geiger Textile		•	•	•			•		13					•																						
200__	Tattersall Reverse - Geiger Textile					•				13		•			•																						
<b>Price Category 7</b>																																					
COL	Customer's Own Leather [A]			1	1	1		1		1		1	1	1		1	1		1																	1	
172__	Capri - Geiger Textile																																				
189__	Corduroy Plaid - Geiger Textile																																				
220__	Double Beam Redux - Geiger Textile		•	•	•			•							•																						
1GC__	Epinglé - Geiger Textile										•	13			•																						
171__	Milaner - Geiger Textile					•	•				•	13			•	•																					
163__	Sateen Weave - Geiger Textile																																				
224__	True Herringbone - Geiger Textile										•	•	•																								
169__	Twill Plaid - Geiger Textile							•		•	•	•			•																						
201__	Velvet Plaid - Geiger Textile																																				
217__	Vesture - Geiger Textile																																				
162__	Wool Epinglé - Geiger Textile																																				
202__	Wool Satin - Geiger Textile										•	13			•																						
166__	Wool Tweed - Geiger Textile					•				•					•																						
<b>Price Category 8</b>																																					
187__	Basketweave - Geiger Textile																																				
161__	Staple - Geiger Textile																																				
<b>Price Category 9</b>																																					
185__	Alpaca Mohair - Geiger Textile																																				
223__	Corded Stripe - Geiger Textile																																				
21__	Leather		•	•	•	•	•		•	•		•			•																						
<b>Price Category 10</b>																																					
5-5__	Bristol Leather - Geiger Textile (5-6__)		•	•	•	•									•	•																					
196__	Moleskin Emboss - Geiger Textile										13																										
<b>Price Category 11</b>																																					
1R__	MCL Leather [A]		•	•	•	•	•		•	•					•	•																					
175__	Tenera Leather - Geiger Textile																																				

1 Refer to price book appendices and Omni for COM/COL information.  
 6 Not available on Landmark Chair.  
 7 Available only on Eames Aluminum Group Chair EA334, EA335.  
 9 Not available in Bristol Leather 5-597 Pure on Saiba Chair.  
 13 Fabric is railroaded.

# Proprietary Textile Colors – Collection Seating

## Price Category 1

**Customer's Own Material**  
See Order Information in  
Appendices. Assigned lead-time  
textile. A

<b>ColorGuard</b>	
54" wide	
100% vinyl	
3P01	Grey
3P02	Navy
3P03	Spruce <span style="border: 1px solid black; padding: 0 2px;">A</span>
3P04	Jade <span style="border: 1px solid black; padding: 0 2px;">A</span>
3P05	Natural <span style="border: 1px solid black; padding: 0 2px;">A</span>
3P08	Blueberry <span style="border: 1px solid black; padding: 0 2px;">A</span>
3P09	Coal <span style="border: 1px solid black; padding: 0 2px;">A</span>
3P12	Black Plum <span style="border: 1px solid black; padding: 0 2px;">A</span>
3P14	Black
3P15	New Burgundy <span style="border: 1px solid black; padding: 0 2px;">A</span>
3P17	Burgundy <span style="border: 1px solid black; padding: 0 2px;">A</span>
3P19	Slate
3P31	Horizon Blue <span style="border: 1px solid black; padding: 0 2px;">A</span>
3P33	Pumice
3P54	Candy Apple <span style="border: 1px solid black; padding: 0 2px;">A</span>
3P58	Beige <span style="border: 1px solid black; padding: 0 2px;">A</span>
3P66	Deep Clay <span style="border: 1px solid black; padding: 0 2px;">A</span>
3P72	Allspice <span style="border: 1px solid black; padding: 0 2px;">A</span>
3P90	Green Tea <span style="border: 1px solid black; padding: 0 2px;">A</span>
3P93	Camelback <span style="border: 1px solid black; padding: 0 2px;">A</span>
3P96	Manzanita <span style="border: 1px solid black; padding: 0 2px;">A</span>
3P97	Fudge <span style="border: 1px solid black; padding: 0 2px;">A</span>
3PB2	Sea Grass <span style="border: 1px solid black; padding: 0 2px;">A</span>
3PB5	Vizcaya Palm <span style="border: 1px solid black; padding: 0 2px;">A</span>
3PB9	Neptune <span style="border: 1px solid black; padding: 0 2px;">A</span>
3PC7	Bucksuede <span style="border: 1px solid black; padding: 0 2px;">A</span>
3PD4	Otter <span style="border: 1px solid black; padding: 0 2px;">A</span>

A Assigned lead-time color.

<b>Gem</b>	
54" wide	
100% antimony-free polyester	
9501	Sesame
9502	Tangerine
9503	Red
9504	Red Violet
9505	Mulberry
9506	Java
9507	Twilight
9508	Bayou
9509	Iris
9510	Berry Blue
9511	Aqua Green
9512	Green Apple
9513	Spruce
9514	Black
9515	Slate Grey
9516	Fog

<b>Lyris 2™</b>	
74% elastomeric	
26% polyester	
4W21	Alpine
4W22	Mango
4W23	Chartreuse
4W25	erry Blue
4W26	Slate Grey
4W28	Chino
4W29	Rattan
4W30	Java
4W31	Graphite

<b>Monologue</b>	
54" wide	
56% recycled polyester	
44% polyester	
1MN01	Linen
1MN02	Alabaster
1MN03	Truffle
1MN04	Folkstone
1MN05	Silver Pine
1MN06	Slate
1MN07	Seed
1MN08	Yellow Oxide
1MN09	Persimmon
1MN10	Tundra
1MN11	Meadow
1MN12	Blue Sky
1MN13	Blue Spruce
1MN14	Deep Sea

<b>Tailored</b>	
54" wide	
56% polyester	
44% recycled polyester	
23501	Studio White
23502	Sugar
23503	Tomato
23504	Orchid
23505	Boysenberry
23506	Chive
23507	Bluegrass
23508	Cobalt
23509	Cadet
23510	Fog
23511	Graphite
23512	Black
23513	Coffee

<b>Whisper</b>	
54" wide	
73% recycled polyester	
27% polyester	
1WS01	Sand Dollar
1WS02	Pebble
1WS03	Silver Birch
1WS04	Iceberg
1WS05	Silver Pine
1WS06	Carbon
1WS07	Cumin
1WS08	Adobe
1WS09	Strawberry
1WS10	Blush
1WS11	Eggplant
1WS12	Willow
1WS13	Sea Grass
1WS14	Pool
1WS15	Blueberry

# Proprietary Textile Colors – Collection Seating

continued

## Price Category 2

Crepe	
54" wide	
100% recycled polyester	
9201	Licorice
9203	Smoke
9207	Cherry
9209	Claret
9212	Raisin
9218	Aquamarine
9223	Cadet
9241	Beachglass
9243	Midnight
9244	Artichoke
9248	Warm White
9249	Stone
9250	Earth
9251	Fog
9252	Slate Grey
9253	Yellow Dark
9254	Coral
9255	Blush Grey
9256	Wild Berry
9257	Clover
9258	Caribbean
9259	Cerulean
9260	Brownstone
9261	Shale
9262	Graphite
9263	Tomato
9264	Green Apple

Fish Net	
55" wide	
100% recycled polyester	
22Q01	Oyster
22Q02	Stone
22Q03	Citrus
22Q04	Curry
22Q05	Chipotle
22Q06	Cherry
22Q07	Fuschia
22Q08	Claret
22Q09	Purple
22Q10	Clover
22Q11	Pesto
22Q12	Peacock
22Q13	Lagoon
22Q14	Twilight
22Q15	Bluestone
22Q16	Storm
22Q17	Black
22Q18	Cocoa

Marvel	
54" wide	
100% pvc-free polyurethane antimicrobial, antibacterial finish	
1MV01	Summer White
1MV02	Sand Dollar
1MV03	Espresso
1MV04	Folkstone Grey
1MV05	Graphite
1MV06	Onyx
1MV07	Polar Blue
1MV08	Blush Grey
1MV09	Woodrose
1MV10	Citrus
1MV11	Adobe
1MV12	Red
1MV13	Kiwi Green
1MV14	Pine
1MV15	Teal Green
1MV16	Twilight

Medley	
54" wide	
100% polyester	
1HA01	Stone
1HA02	Trail
1HA03	Charcoal
1HA04	Cinder
1HA05	Citrus
1HA06	Papaya
1HA07	Chutney
1HA08	Tundra
1HA09	Feather Grey
1HA10	Chartreuse
1HA11	Loden
1HA12	Peacock
1HA13	Bayou
1HA14	Blue Grotto
1HA15	Blueberry
1HA22	Khaki
1HA23	Pewter
1HA24	Yellow Oxide
1HA25	Vintage Rose
1HA26	Raspberry
1HA27	Acai Berry

Moiré	
54" wide	
100% recycled polyester	
3A01	Concrete
3A02	Biscotti
3A03	Rattan
3A04	Chambray
3A05	Fern
3A08	Violet
3A09	Zin
3A10	Curry
3A11	Spice
3A12	Cork

Rhythm	
54" wide	
100% polyester	
3001	Kiwi Green
3002	Green Apple
3003	Peacock
3004	Bayou
3005	Berry Blue
3006	Iris
3007	Twilight
3008	Pumpkin
3009	Poppy
3010	Molasses
3011	Mulberry
3012	Khaki
3013	Mink
3014	Black
3015	Charcoal

Rivet	
54" wide	
100% recycled polyester	
1RV01	Twig
1RV02	Deep Clay
1RV03	Woodrose
1RV04	Otter
1RV05	Hemlock
1RV06	Olive
1RV07	Lagoon
1RV08	Deep Sea
1RV09	Charcoal
1RV10	Grey Brindle

Category 2 continued on next page

# Proprietary Textile Colors – Collection Seating

continued

## Price Category 2

continued

Twist	
54" wide	
80% antimony-free polyester	
13% recycled polyester	
7% polyester	
8R05	Wicker
8R10	Poppy
8R14	Tin
8R15	Shale
8R16	Graphite
8R17	Birch
8R18	Sepia
8R22	Blueberry
8R23	Green Apple
8R26	Gunmetal
8R27	Cinder
8R28	Citrus
8R29	Pekoe
8R30	Tangerine
8R31	Red Plum
8R32	Wisteria
8R33	Forest
8R34	Jade Dark
8R35	Waterfall
8R36	Midnight Blue
8R37	Carbon Dark

Well Suited	
55" wide	
79% polyester	
21% recycled polyester	
22T01	Oyster
22T02	Raffia
22T03	Peppermint
22T04	Wild Berry
22T05	Spring Green
22T06	Mint
22T07	Periwinkle
22T08	Cool Grey
22T09	Citrus
22T10	Pumpkin
22T11	Red
22T12	Fuschia
22T13	Orchid
22T14	Chartreuse
22T15	Green Apple
22T16	Jade
22T17	Peacock
22T18	Blueberry
22T19	Bluestone
22T20	Mink

## Price Category 3

Bento	
54" wide	
100% antimony-free polyester	
7001	Frost
7002	Linen
7003	Khaki
7004	Truffle
7005	Grey Black
7006	Pumpkin
7007	Cranberry
7008	Everglade
7009	Cobalt

Cambrai - Geiger Textile	
54" wide	
100% polyester	
Antimicrobial stain resistant finish	
Acrylic backing	
21601	Natural
21602	Khaki
21603	Hemp
21604	Pumice
21605	Lavarock
21606	Carbon
21607	Ink

Mini Plaid - Geiger Textile	
56" wide	
100% polyester	
PFOA-Free stain resistant finish	
Acrylic backing	
1MP01	Vintage Ivory
1MP02	Light Gray
1MP03	Ore
1MP04	Coffee Bean
1MP05	Shadow
1MP06	Charcoal
1MP07	Black Onyx
1MP08	Gray Blue
1MP09	Deep Federal
1MP10	Celadon
1MP11	Blaze
1MP12	Lipstick

Pinpoint - Geiger Textile	
57" wide	
100% antimony-free polyester	
19810	Cream
19811	Camel
19820	Luggage
19830	Red
19831	Wine
19832	Cordovan
19850	Navy
19870	Trench Dark
19880	Charcoal
19881	Grey

Pins and Needles	
58" wide	
76% recycled polyester	
24% polyester	
22R01	Day and Night
22R02	Night and Day

Saille - Geiger Textile	
57" wide	
69% cotton	
31% polyester	
PFOA-Free stain resistant finish	
Acrylic backing	
18001	Coal
18002	Shale
18003	Haze
18004	Stone
18005	White
18006	Beach
18007	Sand
18008	Blush
18009	Brick
18010	Fog
18011	Celadon
18012	Poolside
18013	Summer Sky

Category 3 continued on next page

# Proprietary Textile Colors – Collection Seating

continued

## Price Category 3

continued

### Stitches

54" wide	
54% polyester	
46% recycled polyester	
8U02	Rye
8U03	Khaki
8U04	Honey
8U05	Cattail
8U06	Pumpkin
8U07	Brick
8U08	Cool Grey
8U09	Slate Blue
8U10	Juniper
8U11	Evening Blue
8U12	Charcoal
8U13	Kiwi Green
8U14	Olive
8U15	Pesto
8U16	Cocoa
8U17	Seed

### String Plaid

54" wide	
100% recycled polyester	
22V01	Warm White on Khaki
22V02	Mint on Yellow Green
22V03	Mist on Blue Grey
22V04	Sky Blue on Red
22V05	Lime on Magenta
22V06	Bright Green on Green
22V07	Aqua Blue on Cerulean
22V08	Ivory on Black

### Tweed Stripe - Geiger Textile

54" wide	
38% polyester	
37% cotton	
18% acrylic	
7% post-industrial recycled cotton	
PFOA-Free stain resistant finish	
16701	Cotton
16702	Cream
16703	Chamois
16704	Golden Gray
16705	Brown Gray
16706	Celadon
16707	Vessel
16708	Gray Blue
16709	Deep Federal
16710	Onyx
16711	Java
16712	Sunset
16713	Citronella

## Price Category 4

### Bateau - Geiger Textile

54" wide	
56% post-industrial recycled cotton	
30% polyester	
14% post-industrial recycled polyester	
PFOA-Free stain resistant finish	
1AK01	Cloud
1AK02	Fawn
1AK03	Breeze
1AK04	Meadow
1AK05	Rafia
1AK06	Dark Sand
1AK07	Steel
1AK08	Milky Way

### Bingo

54" wide	
100% PVC-free polyurethane	
7Y01	Oyster
7Y02	Natural
7Y03	Cashew
7Y04	Buff
7Y05	Rattan
7Y06	Root
7Y07	Woodland
7Y08	Camel
7Y09	Copper
7Y10	Allspice
7Y11	Canyon
7Y12	Henna
7Y13	Sedona
7Y14	Black Plum
7Y15	Currant
7Y16	Mahogany
7Y17	Seed
7Y18	Mushroom
7Y19	Blue Grey
7Y20	Navy
7Y21	Black
7Y22	Mint
7Y23	Seaport
7Y24	Evening Blue
7Y25	Hemlock
7Y26	Kiwi Green
7Y27	Celadon
7Y28	Moss
7Y29	Pesto

### Braid - Geiger Textile

56" wide	
100% polyester	
1AG01	Pearl
1AG02	Dark Sand
1AG03	City Night
1AG04	Shadow
1AG05	Midnight Blue

### Cygnus™

For Eames® Aluminum Group Chairs	
69% elastomeric	
31% polyester	
5401	Black
5402	Zinc
5403	Quartz

### Derby - Geiger Textile

57" wide	
50% polyester	
34% post-industrial recycled polyester	
32% post-consumer recycled polyester	
PFOA-Free stain resistant finish	
Acrylic backing	
1AE01	Antique White
1AE02	Blush
1AE03	Ivory
1AE04	Light Gray
1AE05	Ore
1AE06	Coffee Bean
1AE07	Onyx
1AE08	Cadet Blue
1AE09	Marine
1AE10	Steel Blue
1AE11	Teal
1AE12	Persimmon
1AE13	Cinnabar
1AE14	Dark Scarlet

Category 4 continued on next page

# Proprietary Textile Colors – Collection Seating

continued

## Price Category 4

continued

### Fringe - Geiger Textile

54" wide  
74% recycled polyester  
20% nylon  
6% polyester

1AF01	Buckskin
1AF02	Ash Blonde
1AF03	Silver Bay
1AF04	Perfect Taupe
1AF05	Morning Sky
1AF06	Lapis
1AF07	Indigo
1AF08	Paprika
1AF09	Deep Red
1AF10	Dark Sienna
1AF11	French Press
1AF12	Black Bay

### Kalista - Geiger Textile

54" wide  
71% post-industrial recycled cotton  
18% post-industrial recycled polyester  
11% polyester  
PFOA-Free stain resistant finish

1AL01	Cotton
1AL02	Natural
1AL03	Titanium
1AL04	Pewter
1AL05	Starry Night
1AL06	Red Hot
1AL07	Sun Kissed
1AL08	Dune
1AL09	Beach Glass
1AL10	Bluestone
1AL11	Seaside
1AL12	Night Sky

### Micro Houndstooth - Geiger Textile

57" wide  
50% polyester  
33% post-consumer recycled polyester  
17% post-industrial recycled polyester  
PFOA-Free stain resistant finish  
Acrylic backing

1MH01	Silver Ore
1MH02	Oatmeal
1MH03	Coffee Bean
1MH04	Charcoal
1MH05	Dark Night
1MH06	Onyx
1MH07	Gray Blue
1MH08	Federal
1MH09	Gray Green
1MH10	Blaze
1MH11	Gothic Red

### Modo - Geiger Textile

54" wide  
100% polyurethane  
100% polyester knit backing  
Antimicrobial stain resistant finish

17301	White
17302	Cream
17303	Dune
17304	Warm Sand
17305	Caramel
17306	Latte
17307	Saddle
17308	Paprika
17309	Scarlet
17310	Deep Red
17311	Navy
17312	Racing Green
17313	Aquamarine
17314	Smoke
17315	Charcoal
17316	Black
17317	Espresso

### Ottoman - Geiger Textile

54" wide  
100% recycled polyester  
GreenShield

19710	Cream
19711	Camel
19712	Vicuna
19713	Stone
19719	Aqua
19720	Citron
19721	Luggage
19728	Ruby
19729	Currant
19730	Red
19731	Blaze
19732	Persimmon
19748	Titanium
19749	Pewter
19750	Oxford
19751	Cadet Dark
19752	Blue
19760	Willow
19761	Napa
19767	Sterling
19768	Flint
19769	Slate
19770	Trench
19771	Java
19777	Deep Sea
19778	Navy
19779	Metal
19780	Black

### Spools

54" wide  
51% recycled polyester  
49% polyester  
Crypton® Green

8Y01	Cashew
8Y02	Wicker
8Y03	Trail
8Y04	Cappuccino
8Y05	Copper
8Y08	Bluegrass
8Y09	Lagoon
8Y10	Grape
8Y11	Beachglass
8Y12	Marsh
8Y13	Bud

### Strata

54" wide  
50% solution dyed recycled nylon  
50% solution dyed nylon

22P01	Rattan
22P02	Yellow Jacket
22P03	Avocado
22P04	Pesto
22P05	Peacock
22P06	Blue Jay
22P07	Blueberry
22P08	Boysenberry
22P09	Mango
22P10	Paprika
22P11	Mulberry
22P12	Wheat
22P13	Brownstone
22P14	Bayou
22P15	Trail

# Proprietary Textile Colors – Collection Seating

continued

## Price Category 5

Appendix: Proprietary Textile Colors – Collection Seating

Bouclé - Geiger Textile	
54" wide	
100% recycled polyester	
GreenShield	
1GA10	Creme
1GA11	Dune
1GA12	Camel
1GA20	Luggage
1GA21	Copper
1GA30	Wine
1GA31	Red Dark
1GA50	Navy
1GA60	Willow
1GA61	Fir
1GA70	Umber
1GA71	Java
1GA80	Stone
1GA81	Graphite
1GA82	Black

Dapper - Geiger Textile	
54" wide	
55% recycled polyester	
28% nylon	
17% rayon	
1AD01	Brick
1AD02	Pale Slate Blue
1AD03	Vessel
1AD04	Coffee
1AD05	Mountainside
1AD06	Cerise
1AD07	Dark Night

Essential Twill - Geiger Textile	
53" wide	
70% post-consumer recycled polyester	
27% wool	
3% nylon	
PFOA-Free stain resistant finish	
Acrylic backing	
16801	Cream
16802	Fog
16803	Orange
16804	Natier Blue
16805	Blue
16806	Forest
16807	Smoke
16808	Shale

Herringbone - Geiger Textile	
54" wide	
50% nylon	
27% cotton	
23% polyester	
GreenShield	
19310	Copper
19330	Vermillion
19350	Oxford
19351	Cadet
19352	Navy
19360	Willow
19370	Trench Dark
19371	Umber
19380	Stone
19381	Flannel

Hopsak	
56" wide	
100% recycled polyester	
14A20	Black
14A22	Raw Umber Dark
14A26	Grey Blue Dark
14A30	Sepia Dark
14A38	Emerald Dark
14A39	Yellow Dark
14A40	Orange
14A41	Sienna
14A42	Olive Green Dark
14A43	Crimson
14A44	Crimson Dark Dark
14A45	Violet Dark
14A46	Pink Dark Dark
14A47	Ultramarine Dark
14A48	Cobalt Blue
14A49	Terra Cotta
14A50	Ochre Dark

Iron Cloth- Geiger Textile	
54" wide	
61% nylon	
22% rayon	
17% cotton	
19510	Cream
19511	Stone
19512	Camel
19520	Citron
19530	Red
19531	Cordovan
19550	Sky
19551	Navy
19552	Cadet
19560	Leaf
19570	Trench
19571	Umber
19580	Black

Noble	
54" wide	
100% wool	
22N02	Chipotle
22N04	Cherry
22N07	Cadet
22N08	Berry Blue
22N09	Peacock
22N11	Pesto
22N12	Blue Grey Mix
22H15	Heathered Black
22H16	Heathered Grey
22H17	Heathered Twilight
22H18	Heathered Rye Grass
22N19	Lemongrass Mix
22H20	Heathered Red
22H21	Heathered Wild Berry
22N22	Pesto Mix
22N23	Lagoon Mix

Pixel Stripe - Geiger Textile	
56" wide	
65% cotton	
35% recycled polyester	
1AP01	Pale / Dark Ash
1AP02	Ash / Light Grey
1AP03	Night / Cream
1AP04	Cardinal / Cream
1AP05	Denim / Neutral
1AP06	Federal / Taupe
1AP07	Olive / Neutral

Category 5 continued on next page



# Proprietary Textile Colors – Collection Seating

continued

## Price Category 5

continued

### Striae - Geiger Textile

53" wide  
62% polyester  
38% nylon

19910	Neutral
19911	Camel Java
19992	Blue
19990	Charcoal Saddle
19991	Navy
19993	Java Copper
19994	Bright

### Threads - Geiger Textile

54" wide  
73% post-industrial recycled cotton  
27% polyester  
PFOA-Free stain resistant finish  
Acrylic backing

21801	Cotton
21802	Stonewashed
21803	Silver
21804	Chamois
21805	Cargo Gray
21806	Black Brown
21807	Dark Denim
21808	Sunset

### Vavare - Geiger Textile

54" wide  
50% post-consumer recycled cotton  
28% cotton  
13% polyester  
9% acrylic  
PFOA-Free stain resistant finish  
Acrylic backing

17401	Pearl Gray
17402	Sandstone
17403	Monochrome
17404	Shadow
17405	Blue Earth
17406	Lakeside
17407	Midsummer
17408	Bittersweet

## Price Category 6

### Classic Velvet - Geiger Textile

55" wide  
100% polyester  
Polyester/cotton backing

16501	Opal
16502	Ice Blue
16503	Platinum
16504	Smoky Taupe
16505	Blaze
16506	Majestic Red
16507	Peridot
16508	Obsidian
16509	Truffle
16510	Sapphire

### Outdoor Weave

For Eames® Aluminum Group  
Outdoor Chairs  
50% elastomeric  
50% polypropylene

7202	Jute
7203	Lead
7204	Java
7205	Graphite

### Pick-Stitch Plaid - Geiger Textile

54" wide  
38% post-industrial recycled nylon  
32% rayon  
30% cotton  
PFOA-Free stain resistant finish  
Acrylic backing

17001	Cotton
17002	Camel
17003	Red
17004	Blue
17005	Forest
17006	Bark
17007	Gray

### Sommar - Geiger Textile

55" wide  
62% cotton  
24% polyester  
14% acrylic  
PFOA-Free stain resistant finish

1AJ01	Cloud
1AJ02	Natural
1AJ03	Light Silver
1AJ04	Oxford
1AJ05	Sweet Tea
1AJ06	Amber
1AJ07	Mocha Caramel
1AJ08	Dark Roast

### Tattersall Reverse - Geiger Textile

54" wide  
35% cotton  
29% polyester  
27% nylon  
9% recycled polyester  
GreenShield

20010	Saddle
20020	Willow
20030	Red
20050	Navy
20070	Trench
20071	Latte Umber
20080	Flannel Umber

## Price Category 7

### Customer's Own Leather

See Order Information in Appendices. Assigned lead-time textile. [A](#)

### Capri - Geiger Textile

55" wide  
36% cotton  
32% acrylic  
24% rayon  
8% polyester  
PFOA-Free stain resistant finish  
Acrylic backing

17201	Snow
17202	Stone
17203	Trench
17204	Graphite
17205	Anthracite
17206	Light Silver
17207	Russet
17208	Chestnut Brown

### Corduroy Plaid - Geiger Textile

55" wide  
100% polyester pile  
100% acrylic

18910	Cream
18970	Umber
18980	Charcoal

### Double Beam Redux - Geiger Textile

52" wide  
52% rayon  
45% post-consumer recycled polyester  
3% nylon  
PFOA-Free stain resistant finish  
Acrylic backing

22001	Oyster
22002	Mortar
22003	Pale Goldenrod
22004	Pewter
22005	Light Steel Blue
22006	Dark Denim
22007	Cocoa

Category 7 continued on next page

# Proprietary Textile Colors – Collection Seating

continued

Appendix: Proprietary Textile Colors – Collection Seating

## Price Category 7

continued

Epinglé - Geiger Textile	
56" wide	
57% acrylic, 43% polyester pile	
60% polyester, 40% acrylic	
1GC10	Ivory
1GC11	Dune
1GC12	Camel
1GC30	Red
1GC50	Navy
1GC70	Trench
1GC71	Java
1GC80	Charcoal
1GC81	Fog

Milaner - Geiger Textile	
55" wide	
56% wool, 10% acrylic	
10% alpaca, 10% cotton	
8% nylon, 6% rayon	
17101	Linen
17102	Flax
17103	Bark
17104	Deep Navy
17105	Charcoal
17106	Medium Grey
17107	Ash
17108	Crimson

Sateen Weave - Geiger Textile	
54" wide	
92% wool, 8% nylon	
16301	Bright Red
16302	Cognac Brown
16303	Chestnut Brown
16304	Pale Native Umber
16305	Light Native Umber
16306	Sahara Sand Deep
16307	Light Blue
16308	Deep Cerulean Blue
16309	Light Veronese Green
16310	Black Green
16311	Deep Native Umber
16312	Chestnut Brown
16313	Natural Native Umber
16314	Navy

True Herringbone - Geiger Textile	
54" wide	
49% rayon	
48% post-consumer recycled polyester	
3% nylon	
PFOA-Free stain resistant finish	
Acrylic backing	
22401	Olivine
22402	Camel
22403	Earthen
22404	Caribbean Sea
22405	Vermilion
22406	Denim
22407	Bordeaux
22408	Prussian Blue
22409	Dark Sienna

Twill Plaid - Geiger Textile	
53" wide	
70% post-consumer recycled polyester	
27% wool	
3% nylon	
PFOA-Free stain resistant finish	
Acrylic backing	
16901	Cream
16902	Fog
16903	Orange
16904	Natier Blue
16905	Blue
16906	Forest
16907	Smoke
16908	Shale

Velvet Plaid - Geiger Textile	
55" wide	
94% polyester, 6% acrylic pile	
100% acrylic	
20110	Cream
20170	Umber
20180	Charcoal

Vesture - Geiger Textile	
55" wide	
40% wool, 25% polyester	
20% silk, 15% nylon	
PFOA-Free stain resistant finish	
21701	Ashen
21702	Dark Blush
21703	Dusk
21704	Medium Gray
21705	Twilight

Wool Epinglé - Geiger Textile	
54" wide	
100% wool	
16201	Swiss Red
16202	Orange
16203	Light Chestnut Brown
16204	Light Burnt Umber
16205	Pale Native Umber
16206	Pearl Grey
16207	Grey
16208	Natier Blue
16209	Deep Cerulean Blue
16210	Anthracite
16211	Natural Native Umber
16212	Chestnut Brown

Wool Satin - Geiger Textile	
56" wide	
40% polyester, 33% wool	
27% cotton	
20270	Trench
20271	Umber
20280	Flannel
20281	Charcoal

Wool Tweed - Geiger Textile	
54" wide	
80% wool, 20% nylon	
16601	Trench
16602	Pewter
16603	Ruby
16604	Blue Gray
16605	Navy
16606	Umber
16607	Charcoal

## Price Category 8

Basketweave - Geiger Textile	
53" wide	
60% cotton	
40% wool	
18710	Dune
18711	Saddle
18712	Camel Flannel
18770	Umber
18780	Stone
18781	Charcoal

Staple - Geiger Textile	
54" wide	
100% wool	
16101	Light Native Umber
16102	Medium Native Umber
16103	Pearl Grey
16104	Light Grey
16105	Ferric Grey
16106	Black Green
16107	Prussian Blue
16108	Navy
16109	Burnt Umber
16110	Chestnut Brown
16111	Ruby Red

# Proprietary Textile Colors – Collection Seating

continued

## Price Category 9

### Alpaca Mohair - Geiger Textile

54" wide  
63% alpaca  
21% cotton, 16% polyester

18510	Dune
18511	Trench
18512	Vicuna
18570	Sepia
18571	Umber
18580	Fog
18581	Flannel
18582	Charcoal

### Corded Stripe - Geiger Textile

54" wide  
100% cotton

22301	Federal Taupe
22302	Cool Navy
22303	Swiss Red
22304	Deep Sea
22305	Blue Brown
22306	Red Madder

### Leather

approx. 50 sq. ft. per hide  
100% leather

2101	Ivory
2109	Black
2110	Smoke
2111	Graphite
2112	Khaki
2113	Rattan
2114	Truffle
2115	Alpine
2116	Haze
2117	Sable Grey
2118	Dark Mineral
2119	Dark Carbon
2120	Cranberry
2121	Deep Sea

## Price Category 10

### Bristol Leather - Geiger Textile

approx. 55 sq. ft. per hide  
100% leather

5-507	Black
5-511	Putty
5-512	Grebe
5-514	Iona
5-519	Hunter
5-520	White
5-521	Ivory
5-522	Parchment
5-524	Espresso
5-534	Pearl
5-537	Caribbean
5-546	Pumice
5-547	Smoke
5-548	Charcoal
5-549	Dark Shale
5-556	Downtown Grey
5-557	City Night
5-558	Neutral
5-559	Ash Grey
5-563	Champagne
5-564	Chestnut Brown
5-565	Dark Sienna
5-566	Earthen
5-567	Desert
5-568	British Green
5-569	Wrought Iron
5-579	Paris Blue
5-583	Atlantic
5-589	Umber
5-591	Bone
5-592	Camel
5-594	Taupe
5-597	Pure *
5-598	Cream
5-599	Poppy
5-600	Midnight Blue
5-601	Deep Aubergine
5-602	Merlot
5-603	Sangria
5-604	Swiss Red
5-605	Nordic Yellow
5-606	Sky Grey

\* Color not available on Saiba Chair.

### Moleskin Emboss - Geiger Textile

53" wide  
100% nylon

19610	Ivory
19611	Cream
19612	Latte
19613	Camel
19614	Saddle
19630	Red
19650	Oxford
19651	Navy
19670	Trench
19671	Java
19680	Flannel
19681	Charcoal

## Price Category 11

### MCL Leather

approx. 55 sq. ft. per hide  
100% leather

1R01	Pearl
1R02	Ivory
1R05	Red
1R07	Espresso
1R08	Stone
1R10	Black
1R11	Clay
1R12	Grey
1R13	Gunmetal
1R14	Charcoal
1R15	Cobblestone
1R16	Mulberry

### Tenera Leather - Geiger Textile

approx. 55 sq. ft. per hide  
100% leather

17501	Cement
17502	Marzipan
17503	Sunglow
17504	Raw Sienna
17505	Maple
17506	Poppy
17507	Salsa
17508	Cranberry
17509	Burnt Sienna
17510	Dark Chocolate
17511	Black
17512	Carbon
17513	Sapphire



# Maharam® Application Chart – Collection Seating

• Available

Maharam textiles are on assigned  
lead times. **A**

[N] Non-woven textile.

	Chadwick Modular Seating	Bevel Sofa/Bolster Sofa	Eames® Aluminum Group Chairs/Ottomans	Eames Soft Pad Group Chairs/Ottomans	Eames Executive Chairs	Eames Lounge Chairs/Ottomans	Eames Molded Fiberglass/Plastic/Wood Chairs Upholstered Seat Pad	Eames Molded Fiberglass/Plastic Chairs Upholstered	Eames Molded Plywood Chair Upholstered	Eames Wire Chair Upholstered Seat Pad	Eames Sofa, 2 and 3 Seat	Eames Sofa Compact	Goetz™ Sofa	Module Lounge Seating	Nelson™ Daybed Cushion/Bolsters	Nelson Pedestal Stool	Nelson Platform Bench Cushion	Wireframe™ Sofa Group	Brabo Lounge Seating	Bumper Seating	Crosshatch Chair/Ottoman	Envelope™ Chair	Full Twist™ Chair/Landmark™ Chair	Nessel Chair	Rolled Arm Sofa Group	Scissor™ Chair	Sled™ Chair	Striad Lounge Chair/Ottoman	Tuxedo Component Lounge/Tuxedo Classic Seating Quilted	Tuxedo Component Lounge/Tuxedo Classic Seating Non-quilted		
<b>Price Category 1-9</b>																																
No fabrics available at this time.																																
<b>Price Category 10</b>																																
Z22__ Superweave		•						•				•	•	•	•			•	•	•	•		•							•	•	
<b>Price Category 11-13</b>																																
No fabrics available at this time.																																
<b>Price Category 14</b>																																
Z13__ Lanalux		•						•				•	•	•	•			•	•	•	•		•							•	•	
<b>Price Category A</b>																																
No fabrics available at this time.																																
<b>Price Category B</b>																																
VM__ Medium					•	•						•	•																			
TI__ Messenger *				•	•	•		1				•	•					•											•			
<b>Price Category C</b>																																
No fabrics available at this time.																																
<b>Price Category D</b>																																
ZAT__ Article [N]				•	•	•		•		•	•	•					•	•	•	•	•	•	•	•	•	•	•	•	•	•	•	•
Z27__ Manner	•		1	•	1			1		•	1	•					•	•	•	•	•	•	•	•	•	•	•	•	•	•	•	•
ZML__ Milestone			1	•	1			1		•	1	•					•	•	•	•	•	•	•	•	•	•	•	•	•	•	•	•
<b>Price Category E</b>																																
ZFS__ Focus				•	1			1		•	1	•					•	•	•	•	•	•	•	•	•	•	•	•	•	•	•	•
ZLR__ Lariat [N]				•														•	•	•	•	•	•	•	•	•	•	•	•	•	•	•
V9G__ Ledger [N]				•	•	•		•		•	•	•					•	•	•	•	•	•	•	•	•	•	•	•	•	•	•	•
Z3__ Metric								•		•	•						•	•	•	•	•	•	•	•	•	•	•	•	•	•	•	•
ZMB__ Micro								•		•	•						•	•	•	•	•	•	•	•	•	•	•	•	•	•	•	•
ZMD__ Mode					•	•	•	•		•	•	•					•	•	•	•	•	•	•	•	•	•	•	•	•	•	•	•
Z32__ Skein								•		•	•	•					•	•	•	•	•	•	•	•	•	•	•	•	•	•	•	•
<b>Price Category F</b>																																
ZAS__ Abacus Standard								1		•	1	•					•	•	•	•	•	•	•	•	•	•	•	•	•	•	•	•
ZAY__ Alloy [N]			1		1			1		•	1	•					•	•	•	•	•	•	•	•	•	•	•	•	•	•	•	•
ZAL__ Alter										•	•	•					•	•	•	•	•	•	•	•	•	•	•	•	•	•	•	•
ZBT__ Bitmap [N]			1		•	1		1		•	1	•					•	•	•	•	•	•	•	•	•	•	•	•	•	•	•	•
V9M__ Chime [N]										•	•	•					•	•	•	•	•	•	•	•	•	•	•	•	•	•	•	•
ZCJ__ Coincide								•		•	•	•					•	•	•	•	•	•	•	•	•	•	•	•	•	•	•	•
ZCY__ Commentary										•	•	•					•	•	•	•	•	•	•	•	•	•	•	•	•	•	•	•
VS__ Crush					•			•		•	•	•					•	•	•	•	•	•	•	•	•	•	•	•	•	•	•	•
ZEE__ Exchange					•			•		•	•	•					•	•	•	•	•	•	•	•	•	•	•	•	•	•	•	•
ZMF__ Minimal [N]			1		•	1		1		•	1	•					•	•	•	•	•	•	•	•	•	•	•	•	•	•	•	•
ZPC__ Pitch [N]					•			•		•	•	•					•	•	•	•	•	•	•	•	•	•	•	•	•	•	•	•
Z29__ Plait								•		•	•	•					•	•	•	•	•	•	•	•	•	•	•	•	•	•	•	•

\* Available in select colors on 20-day lead-time. Refer to "Maharam Textile Colors-Collection Seating" for 20-day colors.

continued on next page



# Maharam® Application Chart – Collection Seating

*continued*

	Chadwick Modular Seating	Bevel Sofa/ Bolster Sofa	Eames® Aluminum Group Chairs/Ottomans	Eames Soft Pad Group Chairs/Ottomans	Eames Executive Chairs	Eames Lounge Chairs/Ottomans	Eames Molded Fiberglass/Plastic/Wood Chairs Upholstered Seat Pad	Eames Molded Fiberglass/Plastic Chairs Upholstered	Eames Molded Plywood Chair Upholstered	Eames Wire Chair Upholstered Seat Pad	Eames Sofa, 2 and 3 Seat	Eames Sofa Compact	Goetz™ Sofa	Module Lounge Seating	Nelson™ Daybed Cushion/Bolsters	Nelson Pedestal Stool	Nelson Platform Bench Cushion	Wireframe™ Sofa Group	Brabo Lounge Seating	Bumper Seating	Crosshatch Chair/Ottoman	Envelope™ Chair	Full Twist™ Chair/Landmark™ Chair	Nessel Chair	Rolled Arm Sofa Group	Scissor™ Chair	Sled™ Chair	Striad Lounge Chair/Ottoman	Tuxedo Component Lounge/Tuxedo Classic Seating Quilted	Tuxedo Component Lounge/Tuxedo Classic Seating Non-quilted	
<b>Price Category G</b> <i>continued</i>																															
ZSE__ Steelcut				1				1			•	1	•				•	•	•	•	•	•	•	•	•	•	•	•	•	•	
V25__ Steelcut Trio		1					1		1				•			•	•	•	•	•	•	•	•	•	•	•	•	•	•	•	
ZSD__ Sudden [N]				•				•				•	•				•	•	•	•	•	•	•	•	•	•	•	•	•	•	
ZTT__ Tilt				•								•	•				•	•	•	•	•	•	•	•	•	•	•	•	•	•	
ZTC__ Tonica				•	•			•				•	•				•	•	•	•	•	•	•	•	•	•	•	•	•	•	
ZUR__ Urban											•	•	•				•	•	•	•	•	•	•	•	•	•	•	•	•	•	
ZVT__ Vestige											•	•					•	•	•	•	•	•	•	•	•	•	•	•	•	•	
<b>Price Category H</b>																															
ZAC__ Abacus					1			1			•	1					•	•	•	•	•	•	•	•	•	•	•	•	•	•	•
ZAN__ Anagram											•	•	•				•	•	•	•	•	•	•	•	•	•	•	•	•	•	•
ZBM__ Beam								•			•	•	•				•	•	•	•	•	•	•	•	•	•	•	•	•	•	•
ZBG__ Blip								•			•	•	•				•	•	•	•	•	•	•	•	•	•	•	•	•	•	•
ZCC__ Chenille Cord								•			•	•	•				•	•	•	•	•	•	•	•	•	•	•	•	•	•	•
ZT__ Circles					•						•	•	•				•	•	•	•	•	•	•	•	•	•	•	•	•	•	•
ZCE__ Couple											•	•	•				•	•	•	•	•	•	•	•	•	•	•	•	•	•	•
ZS__ Crosspatch					•						•	•	•				•	•	•	•	•	•	•	•	•	•	•	•	•	•	•
Z2D__ Ditto				•							•	•	•				•	•	•	•	•	•	•	•	•	•	•	•	•	•	•
ZK__ Dot Pattern					•			•			•	•	•			•	•	•	•	•	•	•	•	•	•	•	•	•	•	3	3
ZFN__ Fasten											•	•	•				•	•	•	•	•	•	•	•	•	•	•	•	•	•	•
Z24__ Hallingdal		•	1				•	•	•	•			•				•	•	•	•	•	•	•	•	•	•	•	•	•	•	•
ZKX__ Helix											•	•	•				•	•	•	•	•	•	•	•	•	•	•	•	•	•	•
ZMC__ Mechanism								•			•	•	•				•	•	•	•	•	•	•	•	•	•	•	•	•	•	•
ZMG__ Mister								•			•	•	•				•	•	•	•	•	•	•	•	•	•	•	•	•	•	•
ZQT__ Octave											•	•	•				•	•	•	•	•	•	•	•	•	•	•	•	•	•	•
ZQF__ Offset											•	•	•				•	•	•	•	•	•	•	•	•	•	•	•	•	•	•
ZQB__ Outback											•	•	•				•	•	•	•	•	•	•	•	•	•	•	•	•	•	•
ZRT__ Regatta					•			•			•	•	•				•	•	•	•	•	•	•	•	•	•	•	•	•	•	•
ZRU__ Rule								•			•	•	•				•	•	•	•	•	•	•	•	•	•	•	•	•	•	•
ZSL__ Salon					•	•		•			•	•	•			•	•	•	•	•	•	•	•	•	•	•	•	•	•	•	•
ZL__ Small Dot Pattern					•			•			•	•				•	•	•	•	•	•	•	•	•	•	•	•	•	3	3	
ZST__ Star											•	1	•				•	•	•	•	•	•	•	•	•	•	•	•	•	•	•
ZTN__ Tonus					•	•		•			•	•	•			•	•	•	•	•	•	•	•	•	•	•	•	•	•	•	•

*continued on next page*

# Maharam® Application Chart – Collection Seating

continued

Appendix: Maharam Application Chart – Collection Seating

	Chadwick Modular Seating	Bevel Sofa/Bolster Sofa	Eames® Aluminum Group Chairs/Ottomans	Eames Soft Pad Group Chairs/Ottomans	Eames Executive Chairs	Eames Lounge Chairs/Ottomans	Eames Molded Fiberglass/Plastic/Wood Chairs Upholstered Seat Pad	Eames Molded Fiberglass/Plastic Chairs Upholstered	Eames Molded Plywood Chair Upholstered	Eames Wire Chair Upholstered Seat Pad	Eames Sofa, 2 and 3 Seat	Eames Sofa Compact	Goetz™ Sofa	Module Lounge Seating	Nelson™ Daybed Cushion/Bolsters	Nelson Pedestal Stool	Nelson Platform Bench Cushion	Wireframe™ Sofa Group	Brabo Lounge Seating	Bumper Seating	Crosshatch Chair/Ottoman	Envelope™ Chair	Full Twist™ Chair/Landmark™ Chair	Nessel Chair	Roller Arm Sofa Group	Scissor™ Chair	Sled™ Chair	Striad Lounge Chair/Ottoman	Tuxedo Component Lounge/Tuxedo Classic Seating Quilted	Tuxedo Component Lounge/Tuxedo Classic Seating Non-quilted	
<b>Price Category I</b>																															
ZCT__ Centric																															
ZCB__ Climb					•						•	•																			
ZCW__ Colorwheel																															
ZGN__ Garden				•																											
ZKF__ Highfield																															
V11__ Palio																															
ZPP__ Park																															
ZSY__ Study																															
ZTJ__ Trio																															
ZVS__ Vases																															
ZVY__ Vineyard																															
ZVG__ Voyage																															
<b>Price Category J</b>																															
ZCL__ Coach Cloth																															
ZDD__ Design 9297																															
ZFK__ Fluted Silk																															
ZMT__ Melange Tweed																															
V19__ Mikado																															
V20__ Pavement																															
V21__ Quatrefoil																															
ZSA__ Snap																															
ZSW__ Soft Tweed																															
ZTG__ Tangram																															
ZTA__ Telary																															
ZT1__ Tokyo																															
ZTB__ Transport																															
ZWB__ Waterborn [N]																															
ZWR__ Wool Rib																															
<b>Price Category K</b>																															
ZC6__ Carapace																															
V12__ Checker																															
V13__ Checker Split																															
ZCG__ Cobblestone																															
ZDB__ Dingbats																															
V14__ Double Triangles																															
V15__ Facets																															
V18__ Names																															
ZQP__ Optik																															
ZQR__ Orakelblume																															
ZPS__ Painted Stripe																															
ZTE__ Trees																															
ZUN__ Unisol																															

continued on next page



# Maharam® Application Chart – Collection Seating

continued

	Chadwick Modular Seating	Bevel Sofa/Bolster Sofa	Eames® Aluminum Group Chairs/Ottomans	Eames Soft Pad Group Chairs/Ottomans	Eames Executive Chairs	Eames Lounge Chairs/Ottomans	Eames Molded Fiberglass/Plastic/Wood Chairs Upholstered Seat Pad	Eames Molded Fiberglass/Plastic Chairs Upholstered	Eames Molded Plywood Chair Upholstered	Eames Wire Chair Upholstered Seat Pad	Eames Sofa, 2 and 3 Seat	Eames Sofa Compact	Goetz™ Sofa	Module Lounge Seating	Nelson™ Daybed Cushion/Bolsters	Nelson Pedestal Stool	Nelson Platform Bench Cushion	Wireframe™ Sofa Group	Brabo Lounge Seating	Bumper Seating	Crosshatch Chair/Ottoman	Envelope™ Chair	Full Twist™ Chair/Landmark™ Chair	Nessel Chair	Rolled Arm Sofa Group	Scissor™ Chair	Sled™ Chair	Striad Lounge Chair/Ottoman	Tuxedo Component Lounge/Tuxedo Classic Seating Quilted	Tuxedo Component Lounge/Tuxedo Classic Seating Non-quilted		
<b>Price Category L</b>																																
ZAH__Alpaca Herringbone			•	1				1			•	1	•				•	•	•	•	•	•	•	•	•	•	•	•	•	•	•	•
ZBN__Blumen								•			•	•	•				•	•	•	•	•	•	•	•	•	•	•	•	•	•	•	
ZEP__Exaggerated Plaid											•	•	•				•	•	•	•	•	•	•	•	•	•	•	•	•	•	•	
ZGM__Geometri											•	•	•				•	•	•	•	•	•	•	•	•	•	•	•	•	•	•	
V16__Jacobs Coat								•			•	•	•			•	•	•	•	•	•	•	•	•	•	•	•	•	•	•	•	
ZLT__Letters								•			•	•	•				•	•	•	•	•	•	•	•	•	•	•	•	•	•	•	
V17__Millerstripe								•			•	•	•			•	•	•	•	•	•	•	•	•	•	•	•	•	•	•	•	
ZMS__Mohair Supreme						1									•			•	•	•	•	•	•	•	•	•	•	•	•	•	•	
ZMW__Monk's Wool																		•														
ZPW__Pebble Wool								•			•	•	•				•	•														
ZPM__Pebble Wool Multi								•			•	•	•				•	•														
ZPF__Plait High Performance											•	•	•				•	•	•	•	•	•	•	•	•	•	•	•	•	•	•	
ZRS__Repeat Classic Stripe											•	•	•				•	•	•	•	•	•	•	•	•	•	•	•	•	•	•	
ZRR__Repeat Dot Ring								•			•	•	•				•	•	•	•	•	•	•	•	•	•	•	•	•	•	•	
ZSP__Stripes								•			•	•	•				•	•	•	•	•	•	•	•	•	•	•	•	•	•	•	
ZTS__The Story of My Life			•	•							•	•	•				•	•	•	•	•	•	•	•	•	•	•	•	•	•	•	
V22__Toostripe								•			•	•	•		•		•	•	•	•	•	•	•	•	•	•	•	•	•	•	•	
<b>Price Category M</b>																																
ZQN__Ottoman Stripe								•			•	•	•				•	•	•	•	•	•	•	•	•	•	•	•	•	•	•	
T11__Pressed Plaid								•			•	•	•				•	•	•	•	•	•	•	•	•	•	•	•	•	•	•	
T12__Wool Striae								•			•	•	•				•	•	•	•	•	•	•	•	•	•	•	•	•	•	•	
<b>Price Category N</b>																																
ZAE__Alpaca Epinglé			•	•				•			•	•	•				•	•	•	•	•	•	•	•	•	•	•	•	•	•	•	
ZAV__Alpaca Velvet																	•	•	•	•	•	•	•	•	•	•	•	•	•	•	•	
ZBP__Bespoke Stripe											•	•	•				•	•	•	•	•	•	•	•	•	•	•	•	•	•	•	
ZKP__Herringbone Stripe								•			•	•	•				•	•	•	•	•	•	•	•	•	•	•	•	•	•	•	
ZPT__Point								•									•	•	•	•	•	•	•	•	•	•	•	•	•	•	•	
ZWV__Wool Velvet												•				•	•	•	•	•	•	•	•	•	•	•	•	•	•	•	•	
<b>Price Category O</b>																																
ZBS__Bavaria Stripe											•	•	•				•	•	•	•	•	•	•	•	•	•	•	•	•	•	•	
<b>Price Category P</b>																																
ZBR__Big Stripe																	•	•	•	•	•	•	•	•	•	•	•	•	•	•	•	
ZBJ__Brushed Merino																	•	•	•	•	•	•	•	•	•	•	•	•	•	•	•	
ZES__Epinglé Stripe																	•	•	•	•	•	•	•	•	•	•	•	•	•	•	•	
ZLY__Layers Garden								•			•	•	•				•	•	•	•	•	•	•	•	•	•	•	•	•	•	•	
ZLP__Layers Park								•			•	•	•				•	•	•	•	•	•	•	•	•	•	•	•	•	•	•	
ZLV__Layers Vineyard Large								•			•	•	•				•	•	•	•	•	•	•	•	•	•	•	•	•	•	•	
ZLS__Layers Vineyard Small			•	•				•			•	•	•				•	•	•	•	•	•	•	•	•	•	•	•	•	•	•	

continued on next page



# Maharam Textile Colors – Collection Seating

## Price Category 1-9

No fabrics available at this time.

## Price Category 10

Superweave - Maharam	
54" wide	
75% polyester	
25% cotton	
Z2203/466241-005	Sienna
Z2204/466241-002	Ochre
Z2207/466241-004	Marine
Z2208/466241-003	Olive
Z2220/466241-001	Orange and Pink

## Price Category 11-13

No fabrics available at this time.

## Price Category 14

Lanalux - Maharam	
54" wide	
100% wool	
Z1375/466240-005	Black/White
Z1378/466240-006	Olive/Black
Z1380/466240-001	Natural
Z1383/466240-002	Umber
Z1384/466240-007	Natural/Black
Z1386/466240-003	Orange
Z1387/466240-004	Crimson

- Maharam textiles are on assigned lead times. [A](#)
- Fabric numbers are listed as Herman Miller fabric number/Maharam fabric number.

# Maharam Textile Colors – Collection Seating

continued

## Price Category A

No fabrics available at this time.

## Price Category B

### Medium – Maharam

54" wide	
100% polyester	
VM01/463490-001	Raven
VM02/463490-002	Smoke
VM03/463490-003	Alloy
VM04/463490-004	Flax
VM06/463490-006	Bark
VM07/463490-007	Espresso
VM08/463490-008	Pecan
VM12/463490-012	Pumpkin
VM13/463490-013	Persimmon
VM14/463490-014	Laser
VM16/463490-016	Port
VM22/463490-022	Marina
VM29/463490-029	Pistachio
VM32/463490-032	Prospect
VM36/463490-036	Delight
VM39/463490-039	Nautical
VM40/463490-040	Pool
VM44/463490-044	Washed
VM45/463490-045	Sculpture
VM46/463490-046	Thatched
VM47/463490-047	Hike
VM48/463490-048	Tangle
VM49/463490-049	Pacific
VM50/463490-050	Cosmic
VM51/463490-051	Cascade
VM52/463490-052	Blackberry
VM53/463490-053	Nasturtium
VM54/463490-054	Wooded

### Messenger – Maharam

54" wide	
78% post-industrial recycled polyester	
15% polyester, 7% nylon	
TI01/458640-001	Balsa
TI06/458640-006	Tobacco
TI07/458640-007	Shadow *
TI08/458640-008	Bayou *
TI10/458640-010	Zinc
TI24/458640-024	Poppy
TI25/458640-025	Mao
TI29/458640-029	Onyx
TI31/458640-031	Cloud *
TI38/458640-038	Depth *
TI40/458640-040	Nile
TI41/458640-041	Azure *
TI45/458640-045	Cactus *
TI46/458640-046	Ice * **
TI48/458640-048	Neon *
TI50/458640-050	Hydrangea *
TI51/458640-051	Lilac
TI52/458640-052	Chestnut
TI53/458640-053	Tangelo
TI54/458640-054	Lumine *
TI58/458640-058	Snow **
TI59/458640-059	Fennel
TI60/458640-060	Peridot *
TI61/458640-061	Capri
TI62/458640-062	Ultramarine
TI63/458640-063	Squall
TI66/458640-066	Cassis
TI67/458640-067	Aster
TI68/458640-068	Spice
TI69/458640-069	Cherry
TI70/458640-070	Vibrant
TI71/458640-071	Satsuma *
TI72/458640-072	Maize

### Messenger continued

TI76/458640-076	Fossil
TI77/458640-077	Ash
TI78/458640-078	Tusk
TI79/458640-079	Oyster **
TI80/458640-080	Pensive
TI81/458640-081	Husk
TI82/458640-082	Fireside
TI83/458640-083	Chili
TI84/458640-084	Robust
TI85/458640-085	Beyond
TI86/458640-086	Voyage
TI87/458640-087	Everglade
TI88/458640-088	Electric

\* Colors available on 20-day lead time.

\*\* Colors not available on Eames Molded Fiberglass and Molded Plastic Side Chairs.

- Maharam textiles are on assigned lead times. A
- Fabric numbers are listed as Herman Miller fabric number/Maharam fabric number.

# Maharam Textile Colors – Collection Seating

continued

## Price Category C

No fabrics available at this time.

## Price Category D

Article – Maharam
54" wide
100% vinyl
ZAT02/458600-002 Paraffin
ZAT04/458600-004 Olive
ZAT05/458600-005 Acre
ZAT08/458600-008 Marina
ZAT09/458600-009 Navy
ZAT11/458600-011 Plum
ZAT12/458600-012 Damson
ZAT13/458600-013 Flume
ZAT14/458600-014 Storm
ZAT15/458600-015 Toast
ZAT17/458600-017 Bayleaf
ZAT18/458600-018 Mushroom
ZAT19/458600-019 Fleece
ZAT20/458600-020 Ochre
ZAT21/458600-021 Butterscotch
ZAT22/458600-022 Stone
ZAT23/458600-023 Fawn
ZAT24/458600-024 Henna
ZAT25/458600-025 Mars
ZAT26/458600-026 Mercury
ZAT27/458600-027 Mystic
ZAT28/458600-028 Ink
ZAT29/458600-029 Bluegrass
ZAT31/458600-031 Truffle

Manner - Maharam
54" wide
65% post-industrial recycled polyester
35% post-consumer recycled polyester
Z2701/466177-001 Magic
Z2702/466177-002 Carob
Z2703/466177-003 Porpoise
Z2704/466177-004 Flint
Z2705/466177-005 Hush *
Z2706/466177-006 Nuance
Z2707/466177-007 Thicket
Z2708/466177-008 Cocoa
Z2709/466177-009 Pathway
Z2710/466177-010 Cola
Z2711/466177-011 Ember
Z2712/466177-012 Wagon
Z2713/466177-013 Ablaze
Z2714/466177-014 Peel
Z2715/466177-015 Penny
Z2716/466177-016 Butterscotch
Z2717/466177-017 Harvest
Z2718/466177-018 Lioness
Z2719/466177-019 Caper
Z2720/466177-020 Parakeet
Z2721/466177-021 Greenway
Z2722/466177-022 Aquatic
Z2723/466177-023 Cottage
Z2724/466177-024 Dahlia
Z2725/466177-025 Vivid
Z2726/466177-026 Basin
Z2727/466177-027 Schooner

\* Color not available on Eames Aluminum Group, Executive Chairs, Upholstered Molded Plywood Chairs, and Sofa Compact.

Milestone – Maharam
54" wide
78% post-industrial recycled polyester
15% polyester
7% nylon
ZML22/403901-022 Pewter
ZML25/403901-025 Charcoal
ZML26/403901-026 Ebony
ZML29/403901-029 Medium Grey
ZML31/403901-031 Ground
ZML46/403901-046 Tortoise
ZML47/403901-047 Rush
ZML54/403901-054 Linger
ZML55/403901-055 Embrace
ZML57/403901-057 Coffee
ZML58/403901-058 Bison
ZML61/403901-061 Tiger Lily
ZML62/403901-062 Aurora
ZML65/403901-065 Ribbon
ZML69/403901-069 Lychee *
ZML71/403901-071 Daffodil
ZML72/403901-072 Ecru
ZML77/403901-077 Basil
ZML78/403901-078 Spruce
ZML79/403901-079 Fountain
ZML80/403901-080 Mykonos

\* Color not available on Eames Aluminum Group, Executive Chairs, Upholstered Molded Plywood Chairs, and Sofa Compact.

- Maharam textiles are on assigned lead times. [A](#)
- Fabric numbers are listed as Herman Miller fabric number/Maharam fabric number.

# Maharam Textile Colors – Collection Seating

continued

## Price Category E

Appendix: Maharam Textile Colors – Collection Seating

Focus - Maharam	
57" wide	
54% post-industrial recycled polyester	
33% polyester	
13% post-consumer recycled polyester	
ZFS01/465910-001	Ivory *
ZFS02/465910-002	Allow
ZFS04/465910-004	Lichen
ZFS06/465910-006	Sierra
ZFS07/465910-007	Merlot
ZFS08/465910-008	Clove
ZFS09/465910-009	Carbon
ZFS10/465910-010	Regatta
ZFS11/465910-011	Emerald

\* Color not available on Eames Executive Chairs, Upholstered Molded Plywood Chairs, and Sofa Compact.

Lariat – Maharam	
54" wide	
100% vinyl	
ZLR01/440401-001	001
ZLR02/440401-002	002
ZLR03/440401-003	003
ZLR04/440401-004	004
ZLR06/440401-006	006
ZLR07/440401-007	007
ZLR08/440401-008	008
ZLR10/440401-010	010
ZLR11/440401-011	011
ZLR12/440401-012	012
ZLR13/440401-013	013
ZLR14/440401-014	014
ZLR15/440401-015	015
ZLR16/440401-016	016
ZLR18/440401-018	018
ZLR20/440401-020	020
ZLR21/440401-021	021
ZLR23/440401-023	023
ZLR24/440401-024	024
ZLR25/440401-025	025
ZLR26/440401-026	026
ZLR27/440401-027	027
ZLR28/440401-028	028
ZLR29/440401-029	029
ZLR30/440401-030	030
ZLR31/440401-031	031
ZLR32/440401-032	032
ZLR33/440401-033	033
ZLR34/440401-034	034
ZLR35/440401-035	035
ZLR36/440401-036	036
ZLR37/440401-037	037
ZLR38/440401-038	038

Ledger – Maharam	
54" wide	
100% polyurethane	
V9G1/463770-001	001
V9G2/463770-002	002
V9G3/463770-003	003
V9G4/463770-004	004
V9G6/463770-006	006
V9GG/463770-017	017
V9GJ/463770-019	019
V9GK/463770-020	020
V9GM/463770-022	022
V9GQ/463770-025	025
V9GS/463770-026	026
V9GT/463770-027	027
V9GU/463770-028	028
V9GV/463770-029	029
V9GW/463770-030	030
V9GX/463770-031	031
V9GY/463770-032	032
V9GZ/463770-033	033
V9G10/463770-034	034
V9G11/463770-035	035
V9G12/463770-036	036
V9G13/463770-037	037
V9G14/463770-038	038
V9G15/463770-039	039
V9G16/463770-040	040
V9G17/463770-041	041
V9G18/463770-042	042
V9G19/463770-043	043
V9G20/463770-044	044
V9G21/463770-045	045
V9G22/463770-046	046

Metric – Maharam	
54" wide	
51% post-industrial recycled polyester	
49% polyester	
Z301/466014-001	Phantom
Z302/466014-002	Fog
Z303/466014-003	Fleece
Z304/466014-004	Sourdough
Z305/466014-005	Toffee
Z306/466014-006	Driftwood
Z307/466014-007	Mineral
Z308/466014-008	Bittersweet
Z309/466014-009	Arabica
Z310/466014-010	Cerise
Z311/466014-011	Brick
Z312/466014-012	Cardinal
Z313/466014-013	Lava
Z314/466014-014	Oriole
Z315/466014-015	Cedar
Z316/466014-016	Sorrel
Z317/466014-017	Caramel
Z318/466014-018	Pollen
Z319/466014-019	Tupelo
Z320/466014-020	Alligator
Z321/466014-021	Envy
Z322/466014-022	Bonsai
Z323/466014-023	Tar
Z324/466014-024	Anchor
Z325/466014-025	Twilight
Z326/466014-026	Admiral
Z327/466014-027	Seaport
Z328/466014-028	Scuba

Price category E continued on next page

- Maharam textiles are on assigned lead times. A
- Fabric numbers are listed as Herman Miller fabric number/Maharam fabric number.

# Maharam Textile Colors – Collection Seating

continued

## Price Category E

continued

### Micro – Maharam

54" wide
100% vinyl
ZMB01/466099-001 Muslin
ZMB04/466099-004 Basalt
ZMB05/466099-005 Wenge
ZMB06/466099-006 Phantom
ZMB07/466099-007 Depth
ZMB08/466099-008 Cottage
ZMB09/466099-009 Hunter
ZMB10/466099-010 Lime
ZMB11/466099-011 Tomatillo
ZMB12/466099-012 Brew
ZMB13/466099-013 Zest
ZMB14/466099-014 Tang
ZMB15/466099-015 Risk

### Mode – Maharam

54" wide
80% post-consumer recycled polyester
20% polyester
PFOA-Free stain resistant finish
ZMD01/466337-001 Stroll
ZMD02/466337-002 Intaglio
ZMD03/466337-003 Ominous
ZMD04/466337-004 Machine
ZMD05/466337-005 Talus
ZMD06/466337-006 Marsh
ZMD07/466337-007 Hollow
ZMD08/466337-008 Sycamore
ZMD09/466337-009 Clavicle
ZMD10/466337-010 Billygoat
ZMD11/466337-011 Spindle
ZMD12/466337-012 Lemon
ZMD13/466337-013 Oxeye
ZMD14/466337-014 Henge
ZMD15/466337-015 Goldenrod
ZMD16/466337-016 Cottontail
ZMD17/466337-017 Lioness
ZMD18/466337-018 Oriole
ZMD19/466337-019 Rust

### Mode continued

ZMD20/466337-020 Carotene
ZMD21/466337-021 Blush
ZMD22/466337-022 Vermilion
ZMD23/466337-023 Alder
ZMD24/466337-024 Kermes
ZMD25/466337-025 Barberry
ZMD26/466337-026 Petal
ZMD27/466337-027 Valley
ZMD28/466337-028 Odyssey
ZMD29/466337-029 Ballpoint
ZMD30/466337-030 Toile
ZMD31/466337-031 Paradise
ZMD32/466337-032 Angelfish
ZMD33/466337-033 Denim
ZMD34/466337-034 Crush
ZMD35/466337-035 Jetty
ZMD36/466337-036 Saltwater
ZMD37/466337-037 Mallard
ZMD38/466337-038 Celtic
ZMD39/466337-039 Eucalyptus
ZMD40/466337-040 Bonsai
ZMD41/466337-041 Sassafras
ZMD42/466337-042 Yucca
ZMD43/466337-043 Lichen

### Skein - Maharam

54" wide
56% post-consumer recycled polyester
44% polyester
Z3201/466170-001 Burrow
Z3204/466170-004 Sumac
Z3205/466170-005 Pomegranate
Z3206/466170-006 Cavern
Z3208/466170-008 Cinder
Z3209/466170-009 Dock
Z3210/466170-010 Cadet
Z3211/466170-011 Marsh

## Price Category F

### Abacus Standard - Maharam

54" wide
54% post-industrial recycled polyester
46% post-consumer recycled polyester
ZAS10/466140-010 Replica *
ZAS11/466140-011 Cellar
ZAS12/466140-012 Extract

\* Color not available on Eames Upholstered Molded Plywood Chairs and Sofa Compact.

### Alloy - Maharam

54" wide
100% polyurethane
ZAY01/466064-001 Chalk *
ZAY02/466064-002 Oat
ZAY03/466064-003 Chamomile
ZAY04/466064-004 Navel
ZAY05/466064-005 Sultry
ZAY06/466064-006 Aubergine
ZAY07/466064-007 Truffle
ZAY08/466064-008 Peat
ZAY09/466064-009 Sapling
ZAY10/466064-010 Peacock
ZAY11/466064-011 Rave
ZAY12/466064-012 Baltic
ZAY13/466064-013 Lapis
ZAY14/466064-014 Indigo
ZAY15/466064-015 Heron
ZAY16/466064-016 Covert
ZAY17/466064-017 Zinc
ZAY18/466064-018 Mercury
ZAY19/466064-019 Flint
ZAY20/466064-020 Carbonite

\* Color not available on Eames Aluminum Group, Executive Chairs, Upholstered Molded Plywood Chairs, and Sofa Compact.

### Alter - Maharam

59" wide
59% post-industrial recycled polyester
41% post-consumer recycled polyester
ZAL01/464880-001 Veil
ZAL02/464880-002 Terra
ZAL03/464880-003 Umбра
ZAL04/464880-004 Illustrate
ZAL05/464880-005 Glen
ZAL06/464880-006 Ore
ZAL07/464880-007 Portray

### Bitmap - Maharam

54" wide
100% vinyl
ZBT02/466066-002 Armadillo
ZBT03/466066-003 Sparrow
ZBT05/466066-005 Blacktop
ZBT06/466066-006 Swift
ZBT07/466066-007 Freeze
ZBT08/466066-008 Topple
ZBT09/466066-009 Silt
ZBT10/466066-010 Aloe
ZBT11/466066-011 Copper

Price category F continued on next page

- Maharam textiles are on assigned lead times. [A](#)
- Fabric numbers are listed as Herman Miller fabric number/Maharam fabric number.

# Maharam Textile Colors – Collection Seating

continued

## Price Category F

continued

Chime - Maharam	
54" wide	
100% vinyl	
V9M2/465350-002	Honey
V9M3/465350-003	Morel
V9M4/465350-004	Vessel
V9M7/465350-007	Particle
V9MA/465350-010	Peacock
V9MB/465350-011	Tranquil
V9MH/465350-018	Copper
V9MJ/465350-020	Slate
V9ML/465350-022	Eggshell
V9MM/465350-023	Cloud
V9MN/465350-024	Allium
V9MP/465350-025	Ease
V9MQ/465350-026	Slither
V9MR/465350-027	Ancient
V9MS/465350-028	Paramount
V9MT/465350-029	Bug
V9MU/465350-030	Forward
V9MV/465350-031	Verve
V9MW/465350-032	Understory
V9MX/465350-033	Royal
Coincide - Maharam	
54" wide	
100% polyester	
ZCJ01/465808-001	Mist
ZCJ02/465808-002	Drizzle
ZCJ03/465808-003	Cicada
ZCJ04/465808-004	Bungalow
ZCJ05/465808-005	Aurora
ZCJ06/465808-006	Currant
ZCJ07/465808-007	Raisin
ZCJ08/465808-008	Tranquil
ZCJ09/465808-009	Caribbean
ZCJ10/465808-010	Woodland
ZCJ11/465808-011	Acre

Commentary - Maharam	
54" wide	
91% polyester	
6% post-industrial recycled polyester	
3% post-consumer recycled polyester	
ZCY01/466109-001	Conceal
ZCY05/466109-005	Chariot
ZCY10/466109-010	Guise

Crush – Maharam	
54" wide	
41% solution-dyed post-industrial recycled nylon	
41% solution-dyed nylon	
15% polyester	
3% polyolefin	
VS01/464780-001	001
VS02/464780-002	002
VS05/464780-005	005
VS08/464780-008	008
VS13/464780-013	013
VS16/464780-016	016
VS17/464780-017	017
VS18/464780-018	018
VS19/464780-019	019
VS20/464780-020	020
VS22/464780-022	022
VS23/464780-023	023
VS24/464780-024	024
VS25/464780-025	025
VS26/464780-026	026
VS27/464780-027	027

Exchange - Maharam	
58" wide	
58% post-industrial recycled polyester	
42% post-consumer recycled polyester	
ZEE01/466027-001	Cinder
ZEE02/466027-002	Sable
ZEE04/466027-004	Gull
ZEE06/466027-006	Coastline
ZEE07/466027-007	Clay
ZEE08/466027-008	Buck
ZEE10/466027-010	Rhubarb
ZEE11/466027-011	Punch

Minimal - Maharam	
54" wide	
100% polyurethane with silver-based antimicrobial	
ZMF01/466026-001	Cloud *
ZMF02/466026-002	Platinum
ZMF03/466026-003	Shine
ZMF04/466026-004	Gilded
ZMF05/466026-005	Acorn
ZMF06/466026-006	Zest
ZMF07/466026-007	Carnelian
ZMF09/466026-009	Capri
ZMF10/466026-010	Aquamarine
ZMF11/466026-011	Viridian
ZMF12/466026-012	Titanium
ZMF13/466026-013	Coffee
ZMF14/466026-014	Bronze
ZMF15/466026-015	Onyx

\* Color not available on Eames Aluminum Group, Executive Chairs, Upholstered Molded Plywood Chairs, and Sofa Compact.

Pitch - Maharam	
54" wide	
100% vinyl	
ZPC01/466186-001	Alpine
ZPC02/466186-002	Cottonseed
ZPC03/466186-003	Sesame
ZPC04/466186-004	Pollen
ZPC05/466186-005	Citron
ZPC06/466186-006	Lime
ZPC07/466186-007	Apple
ZPC08/466186-008	Fairway
ZPC09/466186-009	Chive
ZPC10/466186-010	Ridge
ZPC11/466186-011	Voyage
ZPC12/466186-012	Turquoise
ZPC13/466186-013	Riviera
ZPC14/466186-014	Inlet
ZPC15/466186-015	Captain
ZPC16/466186-016	Aura
ZPC17/466186-017	Coastal
ZPC18/466186-018	Fog
ZPC19/466186-019	Coal
ZPC20/466186-020	Saddle
ZPC21/466186-021	Mulberry
ZPC22/466186-022	Brick
ZPC23/466186-023	Rocket
ZPC24/466186-024	Flame
ZPC25/466186-025	Dijon
ZPC26/466186-026	Tumbleweed
ZPC27/466186-027	Tawny
ZPC28/466186-028	Derby
ZPC29/466186-029	Subtle
ZPC30/466186-030	Buff

Price category F continued on next page

- Maharam textiles are on assigned lead times. [A](#)
- Fabric numbers are listed as Herman Miller fabric number/Maharam fabric number.



# Maharam Textile Colors – Collection Seating

continued

## Price Category F

continued

### Plait - Maharam

58" wide	
53% post-industrial recycled polyester	
32% polyester	
15% post-consumer recycled polyester	
Z2901/466052-001	Cobblestone
Z2902/466052-002	Sachet
Z2903/466052-003	Mesa
Z2904/466052-004	Tavern
Z2905/466052-005	Sequoia
Z2906/466052-006	Rhubarb
Z2907/466052-007	Sangria
Z2908/466052-008	Reef
Z2909/466052-009	Stormy
Z2910/466052-010	Dapper

### Remix – Maharam

54" wide	
90% wool	
10% nylon	
V2601/465956-113	113
V2602/465956-123	123
V2603/465956-133	133
V2604/465956-143	143
V2605/465956-152	152
V2606/465956-163	163
V2607/465956-173	173
V2608/465956-183	183
V2609/465956-223	223
V2610/465956-233	233
V2611/465956-242	242
V2612/465956-252	252
V2613/465956-362	362
V2614/465956-373	373
V2615/465956-383	383
V2616/465956-393	393
V2617/465956-412	412
V2618/465956-422	422
V2619/465956-433	433
V2620/465956-443	443
V2621/465956-452	452

### Remix continued

V2622/465956-543	543
V2623/465956-612	612
V2624/465956-632	632
V2625/465956-643	643
V2626/465956-653	653
V2627/465956-662	662
V2628/465956-672	672
V2629/465956-682	682
V2630/465956-692	692
V2631/465956-722	722
V2632/465956-733	733
V2633/465956-743	743
V2634/465956-753	753
V2635/465956-762	762
V2636/465956-773	773
V2637/465956-783	783
V2638/465956-823	823
V2639/465956-842	842
V2640/465956-852	852
V2641/465956-873	873
V2642/465956-912	912
V2643/465956-923	923
V2644/465956-933	933
V2645/465956-942	942
V2646/465956-962	962
V2647/465956-973	973
V2648/465956-982	982
V2649/465956-954	954

### Rove - Maharam

54" wide	
100% solution-dyed polyolefin with silver-based antimicrobial	
ZRV01/466096-001	Rice *
ZRV02/466096-002	Soba
ZRV03/466096-003	Owl
ZRV04/466096-004	Till
ZRV05/466096-005	Dijon
ZRV06/466096-006	Mum
ZRV07/466096-007	Nasturtium
ZRV08/466096-008	Vixen
ZRV09/466096-009	Roast
ZRV10/466096-010	Llama
ZRV11/466096-011	Rind
ZRV12/466096-012	Grackle
ZRV13/466096-013	Indigo
ZRV14/466096-014	Drip
ZRV15/466096-015	Neptunia
ZRV16/466096-016	Pomelo
ZRV17/466096-017	Fairy

\* Color not available on Eames Sofa Compact.

### Runner Standard - Maharam

58" wide	
57% post-industrial recycled polyester	
43% post-consumer recycled polyester	
ZRA07/466167-007	Bluff
ZRA08/466167-008	Arid
ZRA09/466167-009	Grove
ZRA10/466167-010	Starboard
ZRA11/466167-011	Plot
ZRA12/466167-012	Carousel

### Scuba - Maharam

54" wide	
100% polyurethane	
V9B1/464930-001	Vanilla
V9B2/464930-002	Cocoon
V9B3/464930-003	Dune
V9B4/464930-004	Walnut
V9B5/464930-005	Chinchilla
V9B6/464930-006	Mahogany
V9B7/464930-007	Jet
V9B8/464930-008	Charcoal
V9B9/464930-009	Dolphin
V9BA/464930-010	Drizzle
V9BB/464930-011	Sage
V9BC/464930-012	Conifer
V9BD/464930-013	Bottle
V9BF/464930-015	Tourmaline
V9BG/464930-016	Sapphire
V9BH/464930-017	Electric
V9BJ/464930-018	Fig
V9BK/464930-019	Raisin
V9BL/464930-020	Cabernet
V9BM/464930-021	Brick
V9BN/464930-022	Coral
V9BP/464930-023	Autumn

### Shuttle Standard - Maharam

54" wide	
84% post-industrial recycled polyester	
16% post-consumer recycled polyester	
ZSS16/466168-016	Clam
ZSS17/466168-017	Plateau
ZSS18/466168-018	Shoal

Price category F continued on next page

- Maharam textiles are on assigned lead times. [A](#)
- Fabric numbers are listed as Herman Miller fabric number/Maharam fabric number.

# Maharam Textile Colors – Collection Seating

continued

## Price Category F

continued

Appendix: Maharam Textile Colors – Collection Seating

Steady - Maharam	
54" wide	
46% polyester	
35% post-industrial recycled polyester	
19% post-consumer recycled polyester	
ZSG01/465947-001	Cameo
ZSG02/465947-002	Drife
ZSG03/465947-003	Summit
ZSG05/465947-005	Thrive
ZSG06/465947-006	Estuary
ZSG07/465947-007	Aegean
ZSG08/465947-008	Tidal

Strum - Maharam	
54" wide	
100% polyurethane with silane-based antimicrobial	
Z3301/466122-001	Overcast
Z3302/466122-002	Ridge
Z3303/466122-003	Twilight
Z3304/466122-004	Pigeon
Z3305/466122-005	Char
Z3306/466122-006	Cabin
Z3307/466122-007	Bur
Z3308/466122-008	Abalone
Z3309/466122-009	Prawn
Z3310/466122-010	Gourd
Z3311/466122-011	Wheat
Z3312/466122-012	Lemongrass

Terrace – Maharam	
54" wide	
46% solution-dyed polyester	
45% vinyl-coated polyester	
9% solution-dyed acrylic	
ZTR01/466114-001	Inlay
ZTR05/466114-005	Mystic
ZTR06/466114-006	Hush
ZTR07/466114-007	Bellows

Trait – Maharam	
54" wide	
50% solution-dyed nylon	
50% solution-dyed post-industrial recycled nylon	
TP01/464830-001	001
TP09/464830-009	009
TP15/464830-015	015
TP16/464830-016	016
TP17/464830-017	017
TP18/464830-018	018
TP19/464830-019	019
TP20/464830-020	020
TP21/464830-021	021
TP22/464830-022	022
TP23/464830-023	023

## Price Category G

Across - Maharam	
54" wide	
100% post-consumer recycled polyester	
ZAD01/465964-001	Oat
ZAD02/465964-002	Camel
ZAD03/465964-003	Tobacco
ZAD04/465964-004	Forge
ZAD05/465964-005	Terrace
ZAD06/465964-006	Cloudburst
ZAD07/465964-007	Peacock
ZAD08/465964-008	Schooner
ZAD09/465964-009	Urge
ZAD10/465964-010	Earthen
ZAD11/465964-011	Marmalade

Akimbo - Maharam	
54" wide	
100% solution-dyed nylon	
ZAK01/464770-001	Parchment
ZAK02/464770-002	Bliss
ZAK03/464770-003	Spring
ZAK04/464770-004	Walnut
ZAK05/464770-005	Carnelian
ZAK07/464770-007	Hearth

Basel – Maharam	
55" wide	
90% wool	
10% nylon	
ZB101/466214-121	121
ZB102/466214-123	123
ZB103/466214-126	126
ZB104/466214-127	127
ZB105/466214-129	129
ZB106/466214-181	181
ZB107/466214-183	183
ZB108/466214-186	186
ZB109/466214-187	187
ZB110/466214-189	189

Canvas – Maharam	
55" wide	
90% wool	
10% nylon	
ZC501/466185-114	114 *
ZC502/466185-124	124
ZC503/466185-134	134
ZC504/466185-154	154
ZC505/466185-174	174
ZC506/466185-224	224 *
ZC507/466185-244	244
ZC508/466185-254	254
ZC509/466185-264	264
ZC510/466185-364	364
ZC511/466185-374	374
ZC512/466185-414	414 *
ZC513/466185-424	424
ZC514/466185-454	454
ZC515/466185-614	614 *
ZC516/466185-644	644
ZC517/466185-654	654
ZC518/466185-674	674
ZC519/466185-684	684
ZC520/466185-694	694
ZC521/466185-734	734
ZC522/466185-764	764
ZC523/466185-794	794
ZC524/466185-854	854
ZC525/466185-954	954
ZC526/466185-964	964
ZC527/466185-974	974
ZC528/466185-984	984
ZC529/466185-216	216
ZC530/466185-356	356
ZC531/466185-446	446
ZC532/466185-546	546
ZC533/466185-556	556
ZC534/466185-566	566
ZC535/466185-576	576
ZC536/466185-666	666
ZC537/466185-716	716

\* Color not available on Eames Upholstered Molded Plywood Chairs and Sofa Compact.

Price category G continued on next page

- Maharam textiles are on assigned lead times. [A](#)
- Fabric numbers are listed as Herman Miller fabric number/Maharam fabric number.

# Maharam Textile Colors – Collection Seating

continued

## Price Category G

continued

### Canvas – Maharam continued

ZC538/466185-726	726
ZC539/466185-746	746
ZC540/466185-786	786
ZC541/466185-836	836
ZC542/466185-926	926
ZC543/466185-936	936
ZC544/466185-946	946
ZC545/466185-996	996

\* Color not available on Eames Upholstered Molded Plywood Chairs and Sofa Compact.

### Chance – Maharam

54" wide	
62% cotton	
33% polyester	
5% rayon	
V9C1/464010-001	Harvest
V9C2/464010-002	Bamboo
V9C3/464010-003	Bayou
V9C4/464010-004	Pond
V9C5/464010-005	Pencil
V9C6/464010-006	Bison
V9C8/464010-008	Slumber

### Circuit - Maharam

54" wide	
38% rayon	
34% post-industrial recycled polyester	
28% post-consumer recycled polyester	
ZCU07/466089-007	Radar

### Coincide High Performance- Maharam

54" wide	
100% polyester	
ZCF02/466132-002	Drizzle
ZCF03/466132-003	Cicada
ZCF04/466132-004	Bungalow
ZCF07/466132-007	Raisin
ZCF10/466132-010	Woodland
ZCF11/466132-011	Acre

### Colline – Maharam

55" wide	
75% wool	
17% acrylic	
8% nylon	
ZCQ01/466155-108	108 *
ZCQ02/466155-118	118
ZCQ03/466155-148	148
ZCQ04/466155-188	188
ZCQ05/466155-228	228
ZCQ06/466155-348	348
ZCQ07/466155-448	448
ZCQ08/466155-548	548
ZCQ09/466155-568	568
ZCQ10/466155-668	668
ZCQ11/466155-688	688
ZCQ12/466155-788	788

\* Color not available on Striad Lounge Chair and Ottoman.

### Compound - Maharam

54" wide	
100% polyurethane with silane-based antimicrobial	
ZC201/466196-001	Quartz
ZC202/466196-002	Mirage
ZC203/466196-003	Weathered
ZC204/466196-004	Cliff
ZC205/466196-005	Espresso
ZC206/466196-006	Smolder
ZC207/466196-007	Blaze
ZC208/466196-008	Mandarin
ZC209/466196-009	Maple
ZC210/466196-010	Perennial
ZC211/466196-011	Mountainside
ZC212/466196-012	Tundra
ZC213/466196-013	Manatee
ZC214/466196-014	Marine
ZC215/466196-015	Twilight
ZC216/466196-016	Shelter
ZC217/466196-017	Vessel
ZC218/466196-018	Smoke
ZC219/466196-019	Fog

### Crew - Maharam

54" wide	
100% polyester	
ZCZ01/466149-001	Guide
ZCZ02/466149-002	Pike
ZCZ03/466149-003	Dock
ZCZ04/466149-004	Topiary
ZCZ05/466149-005	Hosta
ZCZ06/466149-006	Cork
ZCZ07/466149-007	Cinnamon
ZCZ08/466149-008	Stern
ZCZ09/466149-009	Soak
ZCZ10/466149-010	Jam
ZCZ11/466149-011	Impulse

### Dart - Maharam

54" wide	
63% polyester	
37% cotton	
T101/464040-001	Woodland
T102/464040-002	Elm
T104/464040-004	Bartlett
T105/464040-005	Desert
T106/464040-006	Beeswax
T107/464040-007	Fiesta
T111/464040-011	Bittersweet
T114/464040-014	Cajole
T116/464040-016	Nightshade
T117/464040-017	Scribe
T118/464040-018	Shale
T119/464040-019	Masala
T120/464040-020	Ardor
T121/464040-021	Cinnamon
T122/464040-022	Maize
T123/464040-023	Wade
T124/464040-024	Flood

### Decode – Maharam

54" wide	
50% solution-dyed nylon	
50% solution-dyed post-industrial recycled nylon	
VA01/464800-001	001
VA06/464800-006	006
VA07/464800-007	007
VA12/464800-012	012
VA13/464800-013	013
VA14/464800-014	014
VA15/464800-015	015
VA17/464800-017	017

Price category G continued on next page

Appendix: Maharam Textile Colors – Collection Seating

- Maharam textiles are on assigned lead times. [A](#)
- Fabric numbers are listed as Herman Miller fabric number/Maharam fabric number.

# Maharam Textile Colors – Collection Seating

continued

## Price Category G

continued

Appendix: Maharam Textile Colors – Collection Seating

Disperse - Maharam	
53" wide	
100% post-consumer recycled polyester	
ZDP02/466017-002	Sky
ZDP03/466017-003	Chalk
ZDP05/466017-005	Lime
ZDP06/466017-006	Mediterranean
ZDP07/466017-007	Cornflower
ZDP09/466017-009	Ember
ZDP10/466017-010	Carnelian
ZDP13/466017-013	Midnight

Divina – Maharam	
59" wide	
100% wool	
TF01/460730-154	154
TF03/460730-171	171
TF04/460730-173	173
TF05/460730-181	181
TF06/460730-191	191
TF08/460730-224	224
TF10/460730-236	236
TF13/460730-246	246
TF14/460730-334	334
TF16/460730-346	346
TF17/460730-356	356
TF18/460730-376	376
TF19/460730-384	384
TF20/460730-393	393
TF22/460730-426	426
TF23/460730-444	444
TF25/460730-462	462
TF26/460730-526	526
TF27/460730-536	536
TF29/460730-542	542
TF30/460730-552	552
TF31/460730-562	562
TF33/460730-584	584
TF37/460730-623	623
TF41/460730-626	626
TF42/460730-636	636
TF43/460730-652	652
TF47/460730-662	662

Divina continued	
TF49/460730-666	666
TF51/460730-671	671
TF53/460730-676	676
TF55/460730-684	684
TF56/460730-686	686
TF57/460730-691	691
TF58/460730-692	692
TF69/460730-696	696
TF70/460730-756	756
TF71/460730-826	826
TF72/460730-836	836
TF73/460730-846	846
TF74/460730-856	856
TF75/460730-876	876
TF76/460730-886	886
TF77/460730-936	936
TF78/460730-956	956
TF79/460730-966	966

Divina MD - Maharam	
59" wide	
100% wool	
Z2301/466150-193	193
Z2302/466150-203	203
Z2303/466150-213	213
Z2304/466150-293	293
Z2305/466150-343	343
Z2306/466150-353	353
Z2307/466150-363	363
Z2308/466150-413	413
Z2309/466150-433	433
Z2310/466150-453	453
Z2311/466150-613	613
Z2312/466150-633	633
Z2313/466150-653	653
Z2314/466150-673	673
Z2315/466150-683	683
Z2316/466150-713	713
Z2317/466150-733	733
Z2318/466150-743	743
Z2319/466150-753	753
Z2320/466150-773	773
Z2321/466150-783	783
Z2322/466150-813	813
Z2323/466150-843	843
Z2324/466150-873	873
Z2325/466150-913	913
Z2326/466150-943	943
Z2327/466150-973	973

Divina Melange – Maharam	
59" wide	
100% wool	
TG01/460830-120	120
TG02/460830-170	170
TG03/460830-180	180
TG04/460830-220	220
TG05/460830-260	260
TG06/460830-280	280
TG07/460830-871	871
TG08/460830-821	821
TG09/460830-771	771
TG10/460830-721	721
TG11/460830-731	731
TG12/460830-681	681
TG13/460830-631	631
TG15/460830-671	671
TG16/460830-581	581
TG17/460830-531	531
TG18/460830-521	521
TG19/460830-571	571
TG20/460830-421	421
TG21/460830-471	471
TG22/460830-931	931
TG24/460830-971	971
TG25/460830-920	920
TG26/460830-620	620

Drape - Maharam	
54" wide	
100% vinyl	
ZDE01/466145-001	Chalk
ZDE02/466145-002	Rail
ZDE03/466145-003	Terminal
ZDE04/466145-004	Cog
ZDE05/466145-005	Alert
ZDE06/466145-006	Pallet
ZDE07/466145-007	Flag
ZDE08/466145-008	Carrier
ZDE10/466145-010	Cargo

Price category G continued on next page

- Maharam textiles are on assigned lead times. [A](#)
- Fabric numbers are listed as Herman Miller fabric number/Maharam fabric number.

# Maharam Textile Colors – Collection Seating

continued

## Price Category G

continued

Floret - Maharam	
54" wide	
100% polyester	
ZFE01/464070-001	Venice
ZFE03/464070-003	Cedar
ZFE05/464070-005	Amaranth
ZFE06/464070-006	Offshore
ZFE08/464070-008	Arabica
ZFE09/464070-009	Midnight

Fluent Crypton - Maharam	
54" wide	
52% polyester	
31% post-industrial recycled polyester	
17% post-consumer recycled polyester	
ZFC01/466073-001	Lynx
ZFC02/466073-002	Burlap
ZFC03/466073-003	Cashew
ZFC04/466073-004	Rum
ZFC08/466073-008	Bittersweet
ZFC09/466073-009	Mulch
ZFC10/466073-010	Bog
ZFC11/466073-011	Ash
ZFC12/466073-012	Bayou
ZFC13/466073-013	Bottle
ZFC14/466073-014	Cadet
ZFC15/466073-015	Formal
ZFC16/466073-016	Gentle
ZFC17/466073-017	Cub
ZFC18/466073-018	Patch
ZFC19/466073-019	Bounce
ZFC20/466073-020	Aubergine
ZFC21/466073-021	Bedrock
ZFC22/466073-022	Turf
ZFC23/466073-023	Cobalt
ZFC24/466073-024	Steady

Kindred - Maharam	
54" wide	
90% polyester	
10% rayon	
ZKN01/466166-001	Mason
ZKN02/466166-002	Cove
ZKN03/466166-003	Fresh
ZKN04/466166-004	Glen
ZKN05/466166-005	Heirloom
ZKN06/466166-006	Chestnut
ZKN07/466166-007	Chiminea

Mimic - Maharam	
54" wide	
100% polyurethane with silane-based antimicrobial	
ZMM01/466136-001	Cloud *
ZMM02/466136-002	Enamel
ZMM03/466136-003	Almond
ZMM04/466136-004	Cement
ZMM05/466136-005	Clay
ZMM06/466136-006	Suntan
ZMM07/466136-007	Totem
ZMM08/466136-008	Castanet
ZMM09/466136-009	Panther
ZMM10/466136-010	Umbra
ZMM11/466136-011	Ultramarine
ZMM12/466136-012	Reservoir
ZMM13/466136-013	Iguana
ZMM14/466136-014	Goldenrod
ZMM15/466136-015	Chutney
ZMM16/466136-016	Laser

\* Color not available on Eames Aluminum Group, Executive Chairs, Upholstered Molded Plywood Chairs, and Sofa Compact.

Mortise - Maharam	
54" wide	
45% polyester	
36% post-industrial recycled polyester	
19% post-consumer recycled polyester	
Crypton Green	
ZMR01/466213-001	001
ZMR02/466213-002	002
ZMR03/466213-003	003
ZMR04/466213-004	004
ZMR05/466213-005	005
ZMR06/466213-006	006
ZMR07/466213-007	007

Omen - Maharam	
54" wide	
75% polyester	
16% post-industrial recycled polyester	
9% post-consumer recycled polyester	
ZQM01/466172-001	Clam
ZQM02/466172-002	Pewter
ZQM03/466172-003	Hazel
ZQM04/466172-004	Grain
ZQM05/466172-005	Bundle
ZQM07/466172-007	Glacier
ZQM08/466172-008	Surf
ZQM09/466172-009	Wade
ZQM10/466172-010	Marble
ZQM11/466172-011	Silt
ZQM12/466172-012	Persimmon
ZQM13/466172-013	Rocket

Paver - Maharam	
54" wide	
100% solution-dyed polyolefin with silver-based antimicrobial	
ZPV01/466111-001	Oracle
ZPV02/466111-002	Billow
ZPV11/466111-011	Darkness
ZPV12/466111-012	Channel
ZPV13/466111-013	Pontoon
ZPV14/466111-014	Dip
ZPV15/466111-015	Oasis

Recollection - Maharam	
54" wide	
55% cotton	
45% polyester	
ZRN01/465968-001	Coir
ZRN04/465968-004	Breeze
ZRN05/465968-005	Buckwheat
ZRN06/465968-006	Field
ZRN08/465968-008	Brick
ZRN10/465968-010	Fedora

Rise - Maharam	
54" wide	
100% vinyl	
ZRB01/466146-001	Fig
ZRB02/466146-002	Cement
ZRB06/466146-006	Tyrol
ZRB07/466146-007	Nordic
ZRB09/466146-009	Ultra
ZRB10/466146-010	Electric

Runner - Maharam	
54" wide	
57% post-industrial recycled polyester	
43% post-consumer recycled polyester	
ZRF01/466108-001	Bluff
ZRF02/466108-002	Arid
ZRF03/466108-003	Grove
ZRF04/466108-004	Starboard
ZRF05/466108-005	Plot
ZRF06/466108-006	Carousel

Appendix: Maharam Textile Colors – Collection Seating

- Maharam textiles are on assigned lead times. [A](#)
- Fabric numbers are listed as Herman Miller fabric number/Maharam fabric number.

Price category G continued on next page

# Maharam Textile Colors — Collection Seating

continued

## Price Category G

continued

Appendix: Maharam Textile Colors — Collection Seating

### Sequace - Maharam

54" wide	
100% solution-dyed polyolefin with silver-based antimicrobial	
Z3101/466179-001	Driftwood
Z3102/466179-002	Boardwalk
Z3103/466179-003	Rattan
Z3104/466179-004	Alfresco
Z3105/466179-005	Plunge
Z3106/466179-006	Starboard
Z3107/466179-007	Veranda
Z3108/466179-008	Lodge
Z3109/466179-009	Flare

### Shadowbox - Maharam

54" wide	
100% polyester	
ZSX01/466265-001	001
ZSX02/466265-002	002
ZSX03/466265-003	003
ZSX04/466265-004	004
ZSX05/466265-005	005
ZSX06/466265-006	006
ZSX07/466265-007	007
ZSX08/466265-008	008

### Steady Crypton - Maharam

54" wide	
46% polyester	
35% post-industrial recycled polyester	
19% post-consumer recycled polyester	
V9E1/465946-001	Cameo
V9E2/465946-002	Drift
V9E3/465946-003	Summit
V9E4/465946-004	Bison
V9E5/465946-005	Thrive
V9E6/465946-006	Estuary
V9E7/465946-007	Aegean
V9E8/465946-008	Tidal
V9E9/465946-009	Acre
V9EA/465946-010	Marigold
V9EB/465946-011	Rhubarb
V9EC/465946-012	Brick

### Steelcut — Maharam

55" wide	
90% wool	
10% nylon	
ZSE01/464470-110	110 *
ZSE02/464470-120	120
ZSE03/464470-135	135
ZSE04/464470-140	140
ZSE05/464470-155	155
ZSE06/464470-160	160
ZSE07/464470-180	180
ZSE08/464470-190	190
ZSE09/464470-220	220
ZSE10/464470-240	240
ZSE11/464470-255	255
ZSE12/464470-265	265
ZSE13/464470-365	365
ZSE14/464470-370	370
ZSE15/464470-380	380
ZSE16/464470-435	435
ZSE17/464470-445	445 *
ZSE18/464470-535	535
ZSE19/464470-545	545
ZSE20/464470-550	550
ZSE21/464470-605	605
ZSE22/464470-615	615
ZSE23/464470-625	625
ZSE24/464470-635	635
ZSE25/464470-655	655
ZSE26/464470-660	660
ZSE27/464470-685	685
ZSE28/464470-695	695
ZSE29/464470-760	760
ZSE30/464470-775	775
ZSE31/464470-780	780
ZSE32/464470-820	820
ZSE33/464470-835	835
ZSE34/464470-935	935
ZSE35/464470-950	950
ZSE36/464470-975	975
ZSE37/464470-985	985

\* Color not available on Eames Executive Chairs, Upholstered Molded Plywood Chairs, and Sofa Compact.

### Steelcut Trio — Maharam

55" wide	
90% wool	
10% nylon	
V2501/465906-105	105 * **
V2502/465906-113	113
V2503/465906-124	124
V2504/465906-133	133 *
V2506/465906-153	153
V2507/465906-195	195
V2508/465906-205	205 **
V2509/465906-213	213 *
V2513/465906-253	253
V2514/465906-283	283
V2518/465906-383	383
V2523/465906-453	453
V2525/465906-515	515 *
V2526/465906-533	533
V2527/465906-553	553 *
V2529/465906-645	645
V2534/465906-713	713
V2542/465906-865	865
V2543/465906-883	883
V2544/465906-915	915 *
V2545/465906-933	933
V2546/465906-945	945
V2547/465906-953	953
V2548/465906-965	965
V2549/465906-983	983
V2550/465906-176	176
V2551/465906-226	226
V2552/465906-236	236
V2553/465906-246	246
V2554/465906-266	266
V2555/465906-276	276
V2556/465906-336	336
V2557/465906-376	376
V2558/465906-416	416
V2559/465906-426	426
V2560/465906-436	436
V2561/465906-446	446
V2562/465906-466	466
V2563/465906-476	476
V2564/465906-506	506
V2565/465906-526	526

### Steelcut Trio continued

V2566/465906-576	576
V2567/465906-616	616
V2568/465906-636	636
V2569/465906-666	666
V2570/465906-686	686
V2571/465906-716	716
V2572/465906-746	746
V2573/465906-756	756
V2574/465906-776	776
V2575/465906-796	796
V2576/465906-806	806
V2577/465906-906	906
V2578/465906-916	916
V2579/465906-946	946
V2580/465906-966	966
V2581/465906-976	976
V2582/465906-996	996

\* Colors available on Bevel Sofa and Bolster Sofa.

\*\* Colors not available on Eames Molded Fiberglass Chairs Upholstered Seat Pad, Eames Molded Plastic Chairs Upholstered Seat Pad, and Eames Wire Chair Upholstered Seat Pad.

Price category G continued on next page

- Maharam textiles are on assigned lead times. [A](#)
- Fabric numbers are listed as Herman Miller fabric number/Maharam fabric number.

# Maharam Textile Colors — Collection Seating

continued

## Price Category G

continued

Sudden – Maharam	
54" wide	
100% polyurethane	
ZSD02/463000-002	002
ZSD03/463000-003	003
ZSD05/463000-005	005
ZSD06/463000-006	006
ZSD07/463000-007	007
ZSD08/463000-008	008
ZSD09/463000-009	009
ZSD10/463000-010	010
ZSD11/463000-011	011
ZSD13/463000-013	013
ZSD14/463000-014	014
ZSD15/463000-015	015
ZSD16/463000-016	016
ZSD17/463000-017	017
ZSD18/463000-018	018
ZSD19/463000-019	019
ZSD20/463000-020	020
ZSD24/463000-024	024
ZSD26/463000-026	026
ZSD27/463000-027	027
ZSD28/463000-028	028
ZSD29/463000-029	029
ZSD30/463000-030	030
ZSD31/463000-031	031
ZSD32/463000-032	032
ZSD33/463000-033	033
ZSD34/463000-034	034
ZSD35/463000-035	035
ZSD36/463000-036	036
ZSD37/463000-037	037

Tilt - Maharam	
55" wide	
56% cotton	
35% polyester	
9% rayon	
ZTT01/466256-001	001
ZTT02/466256-002	002
ZTT03/466256-003	003
ZTT04/466256-004	004
ZTT05/466256-005	005
ZTT06/466256-006	006
ZTT07/466256-007	007
ZTT08/466256-008	008

Tonica – Maharam	
55" wide	
100% wool	
ZTC01/460850-111	111
ZTC02/460850-131	131
ZTC03/460850-132	132
ZTC04/460850-171	171
ZTC05/460850-182	182
ZTC06/460850-192	192
ZTC07/460850-221	221
ZTC08/460850-231	231
ZTC09/460850-272	272
ZTC10/460850-411	411
ZTC11/460850-412	412
ZTC12/460850-511	511
ZTC13/460850-512	512
ZTC14/460850-531	531
ZTC15/460850-532	532
ZTC16/460850-611	611
ZTC17/460850-612	612
ZTC18/460850-631	631
ZTC19/460850-632	632
ZTC20/460850-671	671
ZTC21/460850-672	672
ZTC22/460850-731	731
ZTC23/460850-732	732
ZTC24/460850-751	751
ZTC25/460850-752	752

Tonica continued	
ZTC26/460850-761	761
ZTC27/460850-762	762
ZTC28/460850-791	791
ZTC29/460850-792	792
ZTC30/460850-811	811
ZTC31/460850-812	812
ZTC32/460850-831	831
ZTC33/460850-832	832
ZTC34/460850-961	961
ZTC35/460850-962	962

Urban - Maharam	
54" wide	
90% polyester	
10% rayon	
ZUR01/466079-001	Sketch
ZUR02/466079-002	Minnow
ZUR03/466079-003	Cremini
ZUR04/466079-004	Cedar
ZUR05/466079-005	Hearth
ZUR06/466079-006	Pool
ZUR07/466079-007	Marsh

Vestige - Maharam	
54" wide	
71% polyester	
29% rayon	
ZVT01/466259-001	001
ZVT02/466259-002	002
ZVT03/466259-003	003
ZVT04/466259-004	004
ZVT05/466259-005	005
ZVT06/466259-006	006
ZVT07/466259-007	007
ZVT08/466259-008	008
ZVT09/466259-009	009
ZVT10/466259-010	010

## Price Category H

Abacus - Maharam	
54" wide	
54% post-industrial recycled polyester	
46% post-consumer recycled polyester	
ZAC01/466118-001	Replica *
ZAC02/466118-002	Canoe
ZAC03/466118-003	Cellar
ZAC04/466118-004	Restore
ZAC05/466118-005	Sprig
ZAC06/466118-006	Distill
ZAC07/466118-007	Festive
ZAC08/466118-008	Extract
ZAC09/466118-009	Silhouette

\* Color not available on Eames Executive Chairs, Upholstered Molded Plywood Chairs, and Sofa Compact.

Anagram - Maharam	
54" wide	
42% cotton	
32% polyester	
26% nylon	
ZAN01/466067-001	Quarry
ZAN02/466067-002	Hush
ZAN03/466067-003	Electric
ZAN04/466067-004	Range
ZAN05/466067-005	Settle

Beam - Maharam	
54" wide	
58% polyester	
42% rayon	
ZBM07/466119-007	Brook
ZBM10/466119-010	Simmer

Price category H continued on next page

Appendix: Maharam Textile Colors — Collection Seating

- Maharam textiles are on assigned lead times. [A](#)
- Fabric numbers are listed as Herman Miller fabric number/Maharam fabric number.

# Maharam Textile Colors — Collection Seating

continued

## Price Category H

continued

Blip - Maharam	
54" wide	
44% rayon	
24% nylon	
21% post-industrial recycled polyester	
11% post-consumer recycled polyester	
ZBG01/466129-001 Miner	
ZBG02/466129-002 Relic	
ZBG04/466129-004 Tank	
ZBG05/466129-005 Cove	
ZBG06/466129-006 Coal	
ZBG07/466129-007 Robust	
ZBG08/466129-008 Siege	

Chenille Cord - Maharam	
54" wide	
43% solution-dyed post-industrial recycled nylon	
42% solution-dyed nylon	
13% polyester	
2% polyolefin	
ZCC04/407808-004 004	
ZCC06/407808-006 006	
ZCC10/407808-010 010	
ZCC18/407808-018 018	
ZCC30/407808-030 030	
ZCC31/407808-031 031	
ZCC32/407808-032 032	
ZCC34/407808-034 034	
ZCC35/407808-035 035	
ZCC36/407808-036 036	

Circles — Maharam	
55" wide	
70% cotton	
30% polyester	
ZT01/458310-001 Khaki	
ZT02/458310-002 Fatigue	
ZT03/458310-003 Document	
ZT04/458310-004 Engine	

Couple — Maharam	
54" wide	
100% polyester	
ZCE06/466010-006 Surf	
ZCE07/466010-007 Tavern	
ZCE10/466010-010 Rhubarb	

Crosspatch — Maharam	
54" wide	
75% rayon	
25% polyester	
ZS01/458920-001 Song	
ZS02/458920-002 Fresh	
ZS04/458920-004 Document	
ZS06/458920-006 Circus	
ZS08/458920-008 Grounded	

Ditto — Maharam	
54" wide	
77% post-industrial recycled polyester	
23% solution-dyed nylon	
Z2D1/465993-001 Nacre	
Z2D2/465993-002 Shadow	
Z2D3/465993-003 Saddle	
Z2D9/465993-009 Fern	
Z2DA/465993-010 Fountain	
Z2DC/465993-012 Iron	
Z2DD/465993-013 Driftwood	

Dot Pattern — Maharam	
55" wide	
71% cotton	
29% polyester	
ZK01/458300-001 Document	
ZK02/458300-002 Taupe	
ZK04/458300-004 Red	
ZK05/458300-005 Navy	

Fasten — Maharam	
54" wide	
39% cotton	
39% rayon	
22% solution-dyed nylon	
ZFN01/466053-001 Canvas	
ZFN04/466053-004 Russet	
ZFN05/466053-005 Canyon	
ZFN06/466053-006 Cocoa	
ZFN07/466053-007 Kelp	
ZFN08/466053-008 Monsoon	

Hallingdal - Maharam	
51" wide	
70% wool	
30% rayon	
Z2401/460760-100 100 *	
Z2402/460760-103 103	
Z2403/460760-110 110 *	
Z2404/460760-113 113	
Z2405/460760-116 116	
Z2406/460760-123 123	
Z2407/460760-126 126	
Z2408/460760-130 130	
Z2409/460760-143 143 *	
Z2410/460760-153 153 *	
Z2411/460760-166 166 *	
Z2412/460760-173 173	
Z2413/460760-180 180 *	
Z2414/460760-190 190	
Z2415/460760-200 200	
Z2416/460760-220 220 *	
Z2417/460760-224 224	
Z2418/460760-227 227	
Z2419/460760-270 270	
Z2420/460760-350 350 *	
Z2421/460760-368 368 *	
Z2422/460760-370 370	

Hallingdal continued	
Z2423/460760-376 376	
Z2424/460760-390 390	
Z2425/460760-407 407	
Z2426/460760-420 420	
Z2427/460760-457 457	
Z2428/460760-526 526	
Z2429/460760-547 547	
Z2430/460760-563 563	
Z2431/460760-573 573	
Z2432/460760-590 590 *	
Z2433/460760-596 596	
Z2434/460760-600 600 *	
Z2435/460760-657 657	
Z2436/460760-660 660	
Z2437/460760-674 674	
Z2438/460760-680 680	
Z2439/460760-687 687	
Z2440/460760-694 694	
Z2441/460760-702 702	
Z2442/460760-723 723	
Z2443/460760-733 733	
Z2444/460760-750 750	
Z2445/460760-753 753	
Z2446/460760-754 754	
Z2447/460760-763 763	
Z2448/460760-764 764 *	
Z2449/460760-773 773	
Z2450/460760-810 810 *	
Z2451/460760-840 840 *	
Z2452/460760-850 850	
Z2453/460760-890 890	
Z2454/460760-907 907	
Z2455/460760-944 944	
Z2456/460760-960 960	
Z2457/460760-968 968	
Z2458/460760-980 980	

\* Colors available on Bevel Sofa and Bolster Sofa.

Price category H continued on next page

- Maharam textiles are on assigned lead times. A
- Fabric numbers are listed as Herman Miller fabric number/Maharam fabric number.



# Maharam Textile Colors — Collection Seating

continued

## Price Category H

continued

Helix - Maharam	
54" wide	
54% polyester	
24% solution-dyed nylon	
22% rayon	
ZKX01/466271-001	001
ZKX02/466271-002	002
ZKX03/466271-003	003
ZKX04/466271-004	004
ZKX05/466271-005	005
ZKX06/466271-006	006

Mechanism – Maharam	
54" wide	
100% polyester	
ZMC01/465952-001	Mercury
ZMC03/465952-003	Frenzy
ZMC10/465952-010	Pearl
ZMC11/465952-011	Bronze
ZMC13/465952-013	Titanium
ZMC14/465952-014	Smoke
ZMC15/465952-015	Tangerine
ZMC16/465952-016	Glow
ZMC17/465952-017	Sprout
ZMC18/465952-018	Aqua
ZMC19/465952-019	Sapphire

Mister – Maharam	
54" wide	
67% solution-dyed acrylic	
33% solution-dyed polyester	
ZMG01/466178-001	Breeze
ZMG02/466178-002	Meander
ZMG03/466178-003	Cricket
ZMG04/466178-004	Enliven
ZMG05/466178-005	Notice
ZMG06/466178-006	Azurite

Octave – Maharam	
54" wide	
65% solution-dyed acrylic	
35% solution-dyed polyester	
ZQT01/466116-001	Crisp
ZQT02/466116-002	Froth
ZQT03/466116-003	Beacon
ZQT04/466116-004	Ignite
ZQT06/466116-006	Theater
ZQT07/466116-007	Scenery
ZQT08/466116-008	Elope
ZQT09/466116-009	Spry
ZQT11/466116-011	Navigate

Offset – Maharam	
54" wide	
40% cotton	
36% nylon	
24% wool	
ZQF01/465951-001	Passage
ZQF02/465951-002	Fieldstone
ZQF03/465951-003	Coast
ZQF04/465951-004	Esplanade
ZQF05/465951-005	Oasis
ZQF06/465951-006	Spice
ZQF07/465951-007	Bloom

Outback - Maharam	
55" wide	
80% wool	
20% nylon	
ZQB01/466061-111	111
ZQB02/466061-121	121
ZQB03/466061-141	141
ZQB04/466061-151	151
ZQB05/466061-191	191
ZQB06/466061-221	221
ZQB07/466061-231	231
ZQB08/466061-241	241
ZQB09/466061-331	331
ZQB10/466061-351	351
ZQB11/466061-381	381
ZQB12/466061-451	451
ZQB13/466061-641	641
ZQB14/466061-671	671
ZQB15/466061-781	781
ZQB16/466061-851	851
ZQB17/466061-861	861
ZQB18/466061-941	941
ZQB19/466061-951	951
ZQB20/466061-961	961

Regatta – Maharam	
54" wide	
65% solution-dyed acrylic	
35% solution-dyed polyester	
ZRT01/466189-001	Drift
ZRT02/466189-002	Parasol
ZRT03/466189-003	Shoreline
ZRT04/466189-004	Swell
ZRT05/466189-005	Cliff

Rule – Maharam	
54" wide	
67% solution-dyed acrylic	
33% solution-dyed polyester	
ZRU01/466190-001	Sandbar
ZRU02/466190-002	Sail
ZRU03/466190-003	Refresh
ZRU04/466190-004	Spring
ZRU05/466190-005	Burst
ZRU06/466190-006	Pepper
ZRU07/466190-007	Dock
ZRU08/466190-008	Night sky

Salon – Maharam	
54" wide	
92% wool	
8% nylon	
ZSL04/458670-004	Birch
ZSL06/458670-006	Shade
ZSL09/458670-009	Brazen
ZSL10/458670-010	Earth
ZSL11/458670-011	Tempest
ZSL14/458670-014	Path
ZSL15/458670-015	Peat
ZSL16/458670-016	Spruce
ZSL17/458670-017	Turtle
ZSL18/458670-018	Island
ZSL20/458670-020	Coin
ZSL21/458670-021	Fog
ZSL22/458670-022	Fieldstone
ZSL23/458670-023	Mulberry
ZSL24/458670-024	Terracotta

Price category H continued on next page

- Maharam textiles are on assigned lead times. [A](#)
- Fabric numbers are listed as Herman Miller fabric number/Maharam fabric number.

# Maharam Textile Colors — Collection Seating

continued

## Price Category H

continued

### Small Dot Pattern — Maharam

55" wide	
71% cotton	
29% polyester	
ZL01/458320-001	Document
ZL02/458320-002	Sand
ZL03/458320-003	Khaki
ZL04/458320-004	Taupe
ZL05/458320-005	Charcoal
ZL06/458320-006	Document Reverse
ZL07/458320-007	Red
ZL08/458320-008	Yellow
ZL09/458320-009	Green

### Star - Maharam

55" wide	
100% trevira cs polyester	
ZST01/465966-117	117 *
ZST03/465966-177	177
ZST04/465966-197	197
ZST05/465966-237	237
ZST07/465966-357	357
ZST08/465966-367	367
ZST13/465966-547	547
ZST17/465966-667	667
ZST18/465966-687	687
ZST21/465966-757	757
ZST23/465966-787	787
ZST26/465966-947	947
ZST28/465966-222	222
ZST29/465966-442	442
ZST30/465966-452	452
ZST31/465966-622	622
ZST32/465966-642	642
ZST33/465966-692	692
ZST34/465966-742	742
ZST35/465966-932	932

\* Color not available on Eames  
Sofa Compact.

### Tonus - Maharam

51" wide	
90% wool	
10% helanka	
ZTN01/460800-100	100
ZTN03/460800-109	109
ZTN05/460800-118	118
ZTN10/460800-125	125
ZTN13/460800-128	128
ZTN14/460800-129	129
ZTN15/460800-130	130
ZTN16/460800-131	131
ZTN17/460800-132	132
ZTN19/460800-135	135
ZTN21/460800-207	207
ZTN23/460800-210	210
ZTN26/460800-216	216
ZTN27/460800-240	240
ZTN29/460800-440	440
ZTN32/460800-508	508
ZTN34/460800-605	605
ZTN35/460800-608	608
ZTN36/460800-609	609
ZTN37/460800-610	610
ZTN38/460800-613	613
ZTN40/460800-615	615
ZTN41/460800-619	619
ZTN51/460800-631	631

### Tonus continued

ZTN54/460800-634	634
ZTN56/460800-636	636
ZTN59/460800-690	690
ZTN62/460800-840	840
ZTN63/460800-940	940
ZTN65/460800-224	224
ZTN66/460800-244	244
ZTN67/460800-364	364
ZTN68/460800-374	374
ZTN69/460800-394	394
ZTN70/460800-424	424
ZTN71/460800-454	454
ZTN72/460800-464	464
ZTN73/460800-474	474
ZTN74/460800-554	554
ZTN75/460800-654	654
ZTN76/460800-664	664
ZTN77/460800-684	684
ZTN78/460800-754	754
ZTN79/460800-764	764
ZTN80/460800-854	854
ZTN81/460800-914	914
ZTN82/460800-934	934
ZTN83/460800-954	954
ZTN84/460800-964	964
ZTN85/460800-974	974

## Price Category I

### Centric — Maharam

54" wide	
34% rayon	
33% cotton	
33% polyester	
ZCT02/466056-002	Lead
ZCT03/466056-003	Nebula
ZCT04/466056-004	Claret
ZCT05/466056-005	Flare
ZCT07/466056-007	Splendor

### Climb — Maharam

54" wide	
63% rayon	
37% cotton	
ZCB01/465922-001	Alabaster
ZCB03/465922-003	Woodsmoke
ZCB04/465922-004	Earth

### Colorwheel — Maharam

54" wide	
62% cotton	
38% solution-dyed post-industrial recycled nylon	
ZCW02/466163-002	Pumice
ZCW03/466163-003	Viridian
ZCW06/466163-006	Charcoal
ZCW07/466163-007	Carbon

Price category I continued on next  
page

- Maharam textiles are on assigned lead times. <sup>A</sup>
- Fabric numbers are listed as Herman Miller fabric number/Maharam fabric number.

# Maharam Textile Colors — Collection Seating

continued

## Price Category I

continued

Garden – Maharam	
54" wide	
39% solution-dyed	
post-industrial recycled nylon	
31% rayon	
30% cotton	
ZGN01/466134-001	Oat/Shell
ZGN03/466134-003	Pumice/Cay
ZGN04/466134-004	Fir/Moss
ZGN06/466134-006	Iron/Mineral
ZGN07/466134-007	Raven/Graphite

Highfield - Maharam	
55" wide	
100% trevira cs polyester	
ZKF01/465957-141	141
ZKF02/465957-181	181
ZKF03/465957-191	191
ZKF04/465957-214	214
ZKF05/465957-231	231
ZKF06/465957-241	241
ZKF07/465957-371	371
ZKF08/465957-444	444
ZKF09/465957-454	454
ZKF10/465957-634	634
ZKF11/465957-651	651
ZKF12/465957-674	674
ZKF13/465957-724	724
ZKF14/465957-734	734
ZKF15/465957-744	744
ZKF16/465957-781	781
ZKF17/465957-834	834
ZKF18/465957-864	864

Palio – Maharam	
55" wide	
61% cotton	
39% solution dyed	
post-industrial recycled nylon	
V1101/466107-001	Earth
V1102/466107-002	Sky
V1103/466107-003	Sun
V1104/466107-004	Multi

Park – Maharam	
54" wide	
39% solution-dyed	
post-industrial recycled nylon	
31% rayon	
30% cotton	
ZPP07/466135-007	Cayenne/ Syrah

Study - Maharam	
54" wide	
73% solution-dyed acrylic	
27% solution-dyed polyester	
ZSY01/466269-001	001
ZSY02/466269-002	002
ZSY03/466269-003	003
ZSY04/466269-004	004
ZSY05/466269-005	005

Trio – Maharam	
54" wide	
50% cotton	
50% polyester	
ZTJ03/466088-003	Fatigue
ZTJ04/466088-004	Ore
ZTJ05/466088-005	Ink
ZTJ06/466088-006	Sable

Vases – Maharam	
54" wide	
62% cotton	
38% solution dyed	
post-industrial recycled nylon	
ZVS01/466164-001	Berry
ZVS02/466164-002	Citrus
ZVS03/466164-003	Sprout
ZVS04/466164-004	Goldenrod
ZVS05/466164-005	Autumn
ZVS06/466164-006	Pheasant

Vineyard – Maharam	
54" wide	
39% solution-dyed	
post-industrial recycled nylon	
31% rayon	
30% cotton	
ZVY01/466133-001	Taro
ZVY02/466133-002	Arbor
ZVY03/466133-003	Cay
ZVY04/466133-004	Smoke
ZVY07/466133-007	Mahogany
ZVY08/466133-008	Pitch

Voyage – Maharam	
54" wide	
100% wool	
ZVG05/456801-005	Maize
ZVG12/456801-012	Stone
ZVG25/456801-025	Briar
ZVG26/456801-026	Harvest
ZVG27/456801-027	Currant
ZVG28/456801-028	Twilight
ZVG30/456801-030	Lake
ZVG33/456801-033	Clover
ZVG34/456801-034	Thicket
ZVG36/456801-036	Chinchilla
ZVG37/456801-037	Parcel

## Price Category J

Coach Cloth – Maharam	
54" wide	
100% wool	
ZCL08/458950-008	Dusk
ZCL09/458950-009	Mars
ZCL15/458950-015	Savile
ZCL17/458950-017	Llama
ZCL19/458950-019	Graphite
ZCL20/458950-020	Bittersweet

Design 9297 – Maharam	
55" wide	
51% cotton	
45% rayon	
4% polyester	
ZDD02/465230-002	Olive
ZDD03/465230-003	Lake
ZDD04/465230-004	Ocher
ZDD05/465230-005	Scarlet
ZDD06/465230-006	Magenta
ZDD07/465230-007	Peacock
ZDD08/465230-008	Umbra

Price category J continued on next page

- Maharam textiles are on assigned lead times. [A](#)
- Fabric numbers are listed as Herman Miller fabric number/Maharam fabric number.

# Maharam Textile Colors – Collection Seating

continued

## Price Category J

Appendix: Maharam Textile Colors – Collection Seating

Fluted Silk – Maharam	
54" wide	
85% silk	
8% cotton	
7% acrylic	
ZFK02/465982-002 Tarnish	
ZFK04/465982-004 Virtue	
ZFK05/465982-005 Calm	
ZFK06/465982-006 Flaxen	
ZFK08/465982-008 Merry	
ZFK10/465982-010 Noticed	
ZFK11/465982-011 Moody	
ZFK12/465982-012 Constant	
ZFK13/465982-013 Seed	
ZFK14/465982-014 Eternal	
ZFK15/465982-015 Honor	
ZFK16/465982-016 Winkle	
ZFK17/465982-017 Cranach	
ZFK19/465982-019 Faint	
ZFK20/465982-020 Discreet	

Melange Tweed – Maharam	
54" wide	
100% wool	
ZMT02/461190-002 Bramble	
ZMT03/461190-003 Tweed	
ZMT04/461190-004 Inca	
ZMT05/461190-005 Saffron	
ZMT06/461190-006 Summer	

Mikado – Maharam	
54" wide	
79% cotton	
21% polyester	
V1901/459330-001 Umber	
V1902/459330-002 Orange	
V1903/459330-003 Ultramarine	
V1904/459330-004 Pink	
V1905/459330-005 Sepia	

Pavement – Maharam	
54" wide	
51% rayon	
49% cotton	
V2002/459740-002 Birch	
V2003/459740-003 Grey	
V2004/459740-004 Blue	
V2005/459740-005 Rust	
V2007/459740-007 Loden	
V2008/459740-008 Copper	
V2009/459740-009 Brown	

Quatrefoil – Maharam	
54" wide	
75% cotton	
25% nylon	
V2101/459350-001 Silver	
V2102/459350-002 Pink	
V2103/459350-003 Crimson	
V2104/459350-004 Emerald	
V2105/459350-005 Violet	

Snap – Maharam	
53" wide	
48% rayon	
29% polyester	
21% wool	
2% nylon	
ZSA01/465360-001 Primary	

Soft Tweed – Maharam	
54" wide	
44% linen	
22% cotton	
20% acrylic	
8% bamboo viscose	
6% nylon	
ZSW01/466197-001 Sand	
ZSW03/466197-003 Gold	
ZSW04/466197-004 Teal	
ZSW05/466197-005 Steel	
ZSW06/466197-006 Crimson	
ZSW07/466197-007 Sepia	

Tangram – Maharam	
54" wide	
68% polyester	
32% cotton	
ZTG01/466084-001 Tusk	
ZTG03/466084-003 Lead	
ZTG04/466084-004 Resin	

Telary – Maharam	
54" wide	
41% cotton	
33% post-consumer recycled polyester	
26% nylon	
ZTA01/466151-001 Bone	
ZTA02/466151-002 Khaki	
ZTA03/466151-003 Pebble	
ZTA04/466151-004 Heron	
ZTA05/466151-005 Voyage	
ZTA06/466151-006 Spice	
ZTA07/466151-007 Bison	
ZTA08/466151-008 Molasses	

Tokyo - Maharam	
59" wide	
67% wool	
24% polyester	
9% nylon	
ZT101/466247-112 112	
ZT102/466247-132 132	
ZT103/466247-182 182	
ZT104/466247-242 242	
ZT105/466247-252 252	
ZT106/466247-352 352	
ZT107/466247-432 432	
ZT108/466247-632 632	
ZT109/466247-652 652	
ZT110/466247-682 682	
ZT111/466247-692 692	
ZT112/466247-732 732	
ZT113/466247-782 782	
ZT114/466247-952 952	
ZT115/466247-982 982	

Transport – Maharam	
56" wide	
48% rayon	
32% polyester	
20% linen	
ZTB01/466176-001 Breaker	
ZTB02/466176-002 Grain	
ZTB03/466176-003 Barley	
ZTB04/466176-004 Mink	
ZTB05/466176-005 Avenue	

Price category J continued on next page

- Maharam textiles are on assigned lead times. [A](#)
- Fabric numbers are listed as Herman Miller fabric number/Maharam fabric number.

# Maharam Textile Colors — Collection Seating

continued

## Price Category J

continued

Waterborn - Maharam	
55" wide	
85% polyester	
15% polyurethane	
ZWB01/466097-123	123
ZWB02/466097-133	133
ZWB03/466097-153	153
ZWB04/466097-163	163
ZWB05/466097-183	183
ZWB06/466097-193	193
ZWB07/466097-203	203
ZWB08/466097-213	213
ZWB09/466097-223	223
ZWB10/466097-233	233
ZWB11/466097-243	243
ZWB12/466097-343	343
ZWB13/466097-353	353
ZWB14/466097-363	363
ZWB15/466097-373	373
ZWB16/466097-383	383
ZWB17/466097-443	443
ZWB18/466097-453	453
ZWB19/466097-463	463
ZWB20/466097-523	523
ZWB21/466097-543	543
ZWB22/466097-583	583
ZWB23/466097-603	603
ZWB24/466097-653	653
ZWB25/466097-663	663
ZWB26/466097-673	673
ZWB27/466097-693	693
ZWB28/466097-723	723
ZWB29/466097-743	743
ZWB30/466097-753	753
ZWB31/466097-773	773
ZWB32/466097-783	783
ZWB33/466097-793	793
ZWB34/466097-853	853
ZWB35/466097-883	883
ZWB36/466097-923	923
ZWB37/466097-933	933
ZWB38/466097-953	953
ZWB39/466097-973	973

Wool Rib – Maharam	
53" wide	
38% cotton	
29% acrylic	
19% wool	
7% alpaca	
7% nylon	
ZWR01/466198-001	Oat
ZWR03/466198-003	Turquoise
ZWR05/466198-005	Vermilion
ZWR06/466198-006	Magenta
ZWR07/466198-007	Garnet

## Price Category K

Carapace - Maharam	
54" wide	
37% cotton	
37% post-consumer recycled polyester	
26% solution-dyed nylon	
ZC601/466261-001	001
ZC602/466261-002	002
ZC603/466261-003	003
ZC604/466261-004	004
ZC605/466261-005	005
ZC606/466261-006	006
ZC607/466261-007	007

Checker – Maharam	
55" wide	
77% cotton	
23% polyester	
V1201/459830-001	Emerald Light/ Ivory
V1204/459830-004	Ultramarine/ Emerald
V1206/459830-007	Sienna Dark/ Khaki
V1207/459830-008	Black/White
V1209/459830-009	Ultramarine/ Turquoise
V1210/459830-010	Blue Gray/ Emerald
V1211/459830-011	Olive/Pink
V1212/459830-012	Magenta/ Orange
V1213/459830-013	Crimson/ Orange

Checker Split – Maharam	
55" wide	
77% cotton	
23% polyester	
V1301/460290-01	Black/White

Cobblestone – Maharam	
55" wide	
94% wool	
6% polyester	
ZCG01/465250-001	Fleece
ZCG02/465250-002	Cumulus
ZCG03/465250-003	Ocelot
ZCG05/465250-005	Pewter
ZCG06/465250-006	Charcoal
ZCG07/465250-007	Earth
ZCG08/465250-008	Walnut
ZCG09/465250-009	Woodland

Dingbats – Maharam	
54" wide	
74% cotton	
26% nylon	
ZDB01/465994-001	Taupe
ZDB02/465994-002	Olive
ZDB03/465994-003	Indigo
ZDB04/465994-004	Earth
ZDB05/465994-005	Onyx

Double Triangles – Maharam	
55" wide	
77% cotton	
23% polyester	
V1401/459840-001	Black/White

Facets – Maharam	
55" wide	
77% cotton	
23% polyester	
V1501/459850-001	Black/White

Price category K continued on next page

Appendix: Maharam Textile Colors — Collection Seating

- Maharam textiles are on assigned lead times. [A](#)
- Fabric numbers are listed as Herman Miller fabric number/Maharam fabric number.

# Maharam Textile Colors — Collection Seating

continued

## Price Category K

continued

Appendix: Maharam Textile Colors — Collection Seating

Names – Maharam	
55" wide	
73% cotton	
27% polyester	
V1801/462510-001	Crimson On White
V1802/462510-002	Ultramarine On White
V1803/462510-003	Black On White

Optik – Maharam	
55" wide	
76% cotton	
24% polyester	
ZQP01/459960-001	Sun Yellow/ Orange
ZQP03/459960-003	White/Black

Orakelblume – Maharam	
55" wide	
59% cotton	
41% rayon	
ZQR02/463900-002	Bark
ZQR03/463900-003	Mineral
ZQR04/463900-004	Document
ZQR06/463900-006	Loden
ZQR07/463900-007	Danube

Painted Stripe – Maharam	
55" wide	
75% cotton	
25% polyester	
ZPS01/465998-001	Rosin
ZPS02/465998-002	Tempera
ZPS04/465998-004	Variance

Trees – Maharam	
53" wide	
55% cotton	
28% nylon	
17% wool	
ZTE01/466195-001	Thistle
ZTE02/466195-002	Begonia
ZTE03/466195-003	Carmine
ZTE04/466195-004	Rye
ZTE05/466195-005	Conifer
ZTE06/466195-006	Rice
ZTE07/466195-007	Ocher
ZTE08/466195-008	Shadow
ZTE09/466195-009	Brush

Unisol – Maharam	
55" wide	
61% rayon	
21% polyester	
18% cotton	
ZUN01/461160-001	Black/White

## Price Category L

Alpaca Herringbone – Maharam	
56" wide	
35% polyester	
30% alpaca	
30% wool	
5% cotton	
ZAH01/465898-001	Ivory *
ZAH02/465898-002	Cinder
ZAH03/465898-003	Graphite
ZAH04/465898-004	Bark

\* Color not available on Eames Executive Chairs, Upholstered Molded Plywood Chairs, and Sofa Compact.

Blumen – Maharam	
55" wide	
53% cotton	
47% rayon	
ZBN02/462870-002	Mustard
ZBN03/462870-003	Robin
ZBN05/462870-005	Espresso

Exaggerated Plaid – Maharam	
59" wide	
100% wool	
ZEP01/466039-001	Glen
ZEP02/466039-002	Brae
ZEP03/466039-003	Firth

Geometri – Maharam	
55" wide	
77% cotton	
23% polyester	
ZGM01/459970-001	Sun Yellow/ Orange
ZGM02/459970-002	Red/Carmine
ZGM03/459970-003	Lilac/Blue
ZGM04/459970-004	White/Black

Jacobs Coat – Maharam	
54" wide	
92% wool	
8% nylon	
V1601/462270-001	Multicolored Bright
V1602/462270-002	Multicolored Neutral

Letters – Maharam	
55" wide	
80% wool	
20% nylon	
ZLT01/462560-001	Sun
ZLT02/462560-002	Tangerine
ZLT03/462560-003	Scarlet
ZLT04/462560-004	Violet
ZLT05/462560-005	Cobalt
ZLT06/462560-006	Aqua
ZLT07/462560-007	Emerald
ZLT08/462560-008	Taupe

Millerstripe – Maharam	
54" wide	
92% wool	
8% rayon	
V1701/462250-001	Multicolored Bright
V1702/462250-002	Multicolored Neutral

Price category L continued on next page

- Maharam textiles are on assigned lead times. <sup>A</sup>
- Fabric numbers are listed as Herman Miller fabric number/Maharam fabric number.

# Maharam Textile Colors — Collection Seating

continued

## Price Category L

continued

### Mohair Supreme - Maharam

54" wide
100% mohair
ZMS01/451801-023 Ruby
ZMS02/451801-072 Stonehenge
ZMS03/451801-094 Black
ZMS04/451801-095 Acorn
ZMS05/451801-097 Pebble
ZMS06/451801-112 Slate *
ZMS07/451801-113 Rich Chocolate *
ZMS08/451801-123 Moss
ZMS09/451801-126 Cayenne
ZMS10/451801-127 Cognac
ZMS11/451801-128 Tobacco
ZMS12/451801-129 Peat *
ZMS13/451801-130 Grass
ZMS14/451801-132 Cerulean
ZMS15/451801-133 Abyss
ZMS16/451801-134 Intrigue
ZMS17/451801-135 Pup
ZMS18/451801-136 Lupine *
ZMS19/451801-137 Selkie
ZMS20/451801-138 Mane
ZMS22/451801-140 Bosc
ZMS23/451801-141 Maple
ZMS24/451801-142 Canela
ZMS26/451801-144 Starlet
ZMS28/451801-146 League
ZMS29/451801-147 Armory *
ZMS30/451801-148 Steeple
ZMS31/451801-149 Arena

\* Colors available on Eames Lounge Chair and Ottoman.

### Monk's Wool – Maharam

54" wide
96% wool
4% nylon
ZMW01/457301-001 Tusk
ZMW03/457301-003 Slate
ZMW05/457301-005 Cherokee

### Pebble Wool – Maharam

54" wide
90% wool
10% nylon
ZPW01/457401-001 Birch
ZPW10/457401-010 Cottage

### Pebble Wool Multi – Maharam

54" wide
97% wool
3% nylon
ZPM01/461200-001 Fawn
ZPM02/461200-002 Slate
ZPM05/461200-005 Moss
ZPM06/461200-006 Tabasco

### Plait High Performance - Maharam

58" wide
53% post-industrial polyester
32% polyester
15% post-consumer recycled polyester
ZPF02/466138-002 Sachet
ZPF05/466138-005 Sequoia
ZPF08/466138-008 Reef

### Repeat Classic Stripe – Maharam

55" wide
47% cotton
27% rayon
26% polyester
ZRS01/462170-001 Inca
ZRS02/462170-002 Pistachio
ZRS03/462170-003 Poppy
ZRS04/462170-004 Cadet
ZRS05/462170-005 Peacock

### Repeat Dot Ring – Maharam

55" wide
75% cotton
25% polyester
ZRR01/462150-001 Gold
ZRR03/462150-003 Apple
ZRR04/462150-004 Pink
ZRR05/462150-005 Coral
ZRR06/462150-006 Robin
ZRR07/462150-007 Gold Reverse
ZRR09/462150-009 Apple Reverse
ZRR10/462150-010 Pink Reverse
ZRR11/462150-011 Coral Reverse
ZRR12/462150-012 Robin Reverse

### Stripes - Maharam

56" wide
92% wool
8% nylon
ZSP01/463980-001 001
ZSP02/463980-002 002
ZSP03/463980-003 003
ZSP04/463980-004 004
ZSP05/463980-005 005
ZSP06/463980-006 006
ZSP07/463980-007 007
ZSP08/463980-008 008
ZSP09/463980-009 009
ZSP10/463980-010 010

### The Story of My Life – Maharam

54" wide
83% rayon
17% polyester
ZTS02/464670-002 Hay
ZTS03/464670-003 Abyss
ZTS04/464670-004 Venetian

### Toostripe – Maharam

54" wide
92% wool
8% nylon
V2201/462260-001 Orange Dark/Crimson Dark
V2202/462260-002 Black/Raw Umber
V2203/462260-003 Ochre Dark/Sienna

Appendix: Maharam Textile Colors — Collection Seating

- Maharam textiles are on assigned lead times. [A](#)
- Fabric numbers are listed as Herman Miller fabric number/Maharam fabric number.

# Maharam Textile Colors — Collection Seating

continued

## Price Category M

Ottoman Stripe – Maharam	
58" wide	
92% wool	
8% nylon	
ZQN01/466142-001	Brass
ZQN02/466142-002	Cocoa
ZQN03/466142-003	Dusk
ZQN04/466142-004	Pistachio
ZQN05/466142-005	Apricot

Pressed Plaid – Maharam	
54" wide	
100% wool	
T1101/466181-001	001
T1102/466181-002	002
T1103/466181-003	003
T1104/466181-004	004
T1105/466181-005	005
T1106/466181-006	006

Wool Striae – Maharam	
54" wide	
100% wool	
T1201/466184-001	001
T1202/466184-002	002
T1203/466184-003	003
T1204/466184-004	004
T1205/466184-005	005
T1206/466184-006	006
T1207/466184-007	007

## Price Category N

Alpaca Epinglé - Maharam	
55" wide	
100% alpaca	
ZAE02/465902-002	Slate
ZAE06/465902-006	Graphite

Alpaca Velvet - Maharam	
54" wide	
100% alpaca	
ZAV01/465901-001	Alpine
ZAV02/465901-002	Camel
ZAV04/465901-004	Ash
ZAV05/465901-005	Mahogany
ZAV06/465901-006	Charcoal
ZAV07/465901-007	Pewter

Bespoke Stripe - Maharam	
56" wide	
100% wool	
ZBP01/463540-001	Navy
ZBP02/463540-002	Tobacco
ZBP03/463540-003	Chocolate
ZBP04/463540-004	Charcoal
ZBP05/463540-005	Black
ZBP06/463540-006	Pewter

Herringbone Stripe - Maharam	
57" wide	
100% wool	
ZKP01/465945-001	Granite
ZKP02/465945-002	Espresso
ZKP03/465945-003	Graphite
ZKP04/465945-004	Indigo
ZKP05/465945-005	Raven

Point – Maharam	
53" wide	
97% rayon	
3% nylon	
ZPT01/466090-001	Ivory and Ember
ZPT02/466090-002	Black and Coral
ZPT03/466090-003	Slate and Khaki
ZPT04/466090-004	Black and Cobalt
ZPT05/466090-005	Black and Khaki
ZPT06/466090-006	Slate and Mandarin
ZPT07/466090-007	Slate and Black
ZPT08/466090-008	Brick and Greige
ZPT09/466090-009	Gold and Black
ZPT10/466090-010	Greige and Peat
ZPT11/466090-011	Peat and Mandarin
ZPT12/466090-012	Crimson
ZPT13/466090-013	Mandarin
ZPT14/466090-014	Citrus
ZPT15/466090-015	Grass
ZPT16/466090-016	Cyan
ZPT17/466090-017	Cobalt

Wool Velvet - Maharam	
54" wide	
100% wool	
ZWV01/466120-001	Plush
ZWV02/466120-002	Subdue
ZWV03/466120-003	Flagstone
ZWV04/466120-004	Nori
ZWV06/466120-006	Bridle
ZWV07/466120-007	Covert
ZWV08/466120-008	Gateway
ZWV10/466120-010	Opera

- Maharam textiles are on assigned lead times. <sup>A</sup>
- Fabric numbers are listed as Herman Miller fabric number/Maharam fabric number.



# Maharam Textile Colors — Collection Seating

continued

## Price Category O

**Bavaria Stripe – Maharam**  
 55" wide  
 77% polyester  
 23% cotton  
 ZBS02/466161-002 Unique

## Price Category P

**Big Stripe – Maharam**  
 55" wide  
 92% wool  
 8% nylon  
 ZBR01/466174-001 Peacock  
 ZBR02/466174-002 Spring  
 ZBR03/466174-003 Umber  
 ZBR04/466174-004 Poppy  
 ZBR05/466174-005 Cobalt

**Brushed Merino – Maharam**  
 54" wide  
 90% merino wool  
 10% cashmere  
 ZBJ01/465983-001 Non  
 ZBJ02/465983-002 Feather  
 ZBJ03/465983-003 Doe  
 ZBJ04/465983-004 Wither  
 ZBJ05/465983-005 Nook  
 ZBJ06/465983-006 Senf  
 ZBJ07/465983-007 Cheshire  
 ZBJ08/465983-008 Cadmium  
 ZBJ09/465983-009 Hewn  
 ZBJ11/465983-011 Ardenne  
 ZBJ12/465983-012 Dandy  
 ZBJ13/465983-013 Sprig

**Epinglé Stripe - Maharam**  
 50" wide  
 100% cotton  
 ZES01/466007-001 Caramel  
 ZES02/466007-002 Lead  
 ZES03/466007-003 Violet  
 ZES04/466007-004 Mahogany  
 ZES05/466007-005 Olive

**Layers Garden – Maharam**  
 52" wide  
 96% wool  
 3% nylon  
 1% polyester  
 ZLY01/465916-001 Ivy/Bronze  
 ZLY02/465916-002 Putty/  
 Turquoise  
 ZLY03/465916-003 Pewter/  
 White  
 ZLY04/465916-004 Chocolate/  
 Lilac  
 ZLY05/465916-005 Peat/Copper

**Layers Park – Maharam**  
 52" wide  
 95% wool  
 3% nylon  
 2% polyester  
 ZLP01/465918-001 Ash/Snow  
 ZLP02/465918-002 Mineral/Sky  
 ZLP03/465918-003 Poppy/  
 Melon  
 ZLP04/465918-004 Indigo/  
 White  
 ZLP05/465918-005 Earth/Cobalt

**Layers Vineyard Large – Maharam**  
 52" wide  
 95% wool  
 3% nylon  
 2% polyester  
 ZLV01/465921-001 Ivory/Onyx  
 ZLV02/465921-002 Slate/Azure  
 ZLV03/465921-003 Loden/Sky  
 ZLV04/465921-004 Taupe/  
 Crimson  
 ZLV05/465921-005 Black/  
 Mahogany

**Layers Vineyard Small – Maharam**  
 52" wide  
 92% wool  
 5% polyester  
 3% nylon  
 ZLS01/465920-001 Ochre/White  
 ZLS02/465920-002 Scarlet/  
 Peony  
 ZLS03/465920-003 Taupe/Violet  
 ZLS04/465920-004 Jade/  
 Turquoise  
 ZLS05/465920-005 Ginger/Rose

- Maharam textiles are on assigned lead times. [A](#)
- Fabric numbers are listed as Herman Miller fabric number/Maharam fabric number.

# Maharam Textile Colors — Collection Seating

continued

Appendix: Maharam Textile Colors — Collection Seating

## Price Category Q

<b>A Band Apart – Maharam</b>
56" wide
75% polyester
25% cotton
ZAB01/466000-001 Unique
<b>Aftermath – Maharam</b>
55" wide
75% polyester
25% cotton
ZAM01/466169-001 Unique
<b>Agency – Maharam</b>
55" wide
75% polyester
25% cotton
ZAG02/466001-002 002
ZAG04/466001-004 004
ZAG05/466001-005 005
ZAG06/466001-006 006
ZAG07/466001-007 007
ZAG08/466001-008 008
<b>Brushed Camel – Maharam</b>
58" wide
100% baby camel hair
ZBA01/465977-001 Albino
ZBA02/465977-002 Natural

## Price Category R

<b>Deconstructed Rose – Maharam</b>
55" wide
65% polyester
32% cotton
3% rayon
ZDS01/466086-001 Golden
ZDS02/466086-002 Vivid
ZDS03/466086-003 Earthen
<b>Massive Paisley – Maharam</b>
57" wide
76% polyester
24% cotton
ZMV01/465915-001 Ash
ZMV03/465915-003 Cardinal
ZMV05/465915-005 Earth
ZMV06/465915-006 Night
<b>The Firm – Maharam</b>
56" wide
75% polyester
25% cotton
ZTF03/465999-003 Unique

## Price Category S

<b>Borders – Maharam</b>
53" wide
98% wool
2% polyester
ZBB01/466082-001 Natural
ZBB02/466082-002 Greige
ZBB03/466082-003 Charcoal
ZBB04/466082-004 Walnut
<b>Compartment – Maharam</b>
50" wide
100% cotton
ZCA01/466154-001 001
ZCA02/466154-002 002
ZCA03/466154-003 003

<b>Bavaria – Maharam</b>
55" wide
73% polyester
27% cotton
ZBV01/466162-001 Unique

- Maharam textiles are on assigned lead times. [A](#)
- Fabric numbers are listed as Herman Miller fabric number/Maharam fabric number.

# Maharam Textile Colors — Collection Seating

continued

## Price Category T

Hours – Maharam	
56" wide	
95% wool	
3% nylon	
2% rayon	
ZKR01/466092-001	Day
ZKR02/466092-002	Night

## Price Category U

Layers Garden Double – Maharam	
52" wide	
96% wool	
3% nylon	
1% polyester	
ZLD01/465917-001	Ash/ Quartz/ Grass
ZLD02/465917-002	Earth/ Chocolate/ Coral
ZLD03/465917-003	Black/ Navy/ Cobalt

Layers Park Double – Maharam	
52" wide	
96% wool	
3% nylon	
1% polyester	
ZLB01/465919-001	Mineral/ Taupe/ Lemon
ZLB02/465919-002	Sienna/ Ginger/ Rose
ZLB03/465919-003	Black/ Peat/ Copper

## Price Category V-W

No fabrics available at this time.

## Price Category X

Eden – Maharam	
56" wide	
83% polyester	
17% cotton	
ZED01/466258-001	001
ZED02/466258-002	002
ZED03/466258-003	003
ZED04/466258-004	004
ZED05/466258-005	005

Foliage – Maharam	
56" wide	
75% polyester	
25% cotton	
ZFG01/466257-001	001
ZFG02/466257-002	002
ZFG03/466257-003	003
ZFG04/466257-004	004
ZFG05/466257-005	005

- Maharam textiles are on assigned lead times. [A](#)
- Fabric numbers are listed as Herman Miller fabric number/Maharam fabric number.

# Maharam Textile Colors — Collection Seating

continued

---

## Price Category Y

### Industry – Maharam

55" wide  
80% polyester  
20% cotton

ZND01/466255-001 001

---

## Price Category Z, AA-EE

No fabrics available at this time.

---

## Price Category FF

### Loam Leather – Maharam

approx. 50 sq. ft. per hide  
100% leather

ZLM01/700006-001 Terracotta

ZLM02/700006-002 Mulberry

ZLM03/700006-003 Harbor

ZLM04/700006-004 Ivy

ZLM05/700006-005 Willow

ZLM06/700006-006 Flagstone

ZLM07/700006-007 Gravel

ZLM08/700006-008 Nightfall

- Maharam textiles are on assigned lead times. [A](#)
- Fabric numbers are listed as Herman Miller fabric number/Maharam fabric number.



For more information about our products and services or to see a list of dealers, please visit us at [HermanMiller.com](http://HermanMiller.com) or call (800) 851 1196.

© 2017 Herman Miller, Inc., Zeeland, Michigan

® **HermanMiller**, 3D Intelligent, AO, Action Office, Aeron, ArcSpan, Aside, Avall, Avive, Bubble Lamps, Canvas Office Landscape, Caper, Celle, Co/Struc, Daisyone, Distil, Eames, Eco-Dematerialized, Embody, Envelop, Equa 2, Ergon 3, Ethospace, Exclave, Fine-Tune, FlexFront, Flo, Formcoat, Formwork, Ground Cloth, Herman Miller for the Home, Herman Miller for Healthcare, Intersect, Kinemat, Lapjack, Layout Studio, Lifework, Limerick, Live Unframed, Living Office, Locale, Maharam, Meridian, Mirra, Passage, Pellicle, Perspectives, PostureFit, Public Office Landscape, Resolve, Rodney, Sayl, Setu, Thrive, Tu, Wishbone, and Y-Tower are among the registered trademarks of Herman Miller, Inc., and its owned subsidiaries.

™ 8Z Pellicle, About Face, AireWeave, Albert, Backfit, Bubbletack, Burdick Group, Butterfly Back, Celeste, Cellular Suspension, Clam, Compass, Connect, Cubert, DOT, Duracare, Durawrap, Eames Soft Pad, EnhancedAccess, Everywhere, Flex-Edge, Flute, Harmonic, Herman Miller Select, Hopsak 2, Intent, Iota, Jaw, Keyless Entry, Keyn Chair Group by Herman Miller, Latitude, Locale, Logic Mini, Logic Power Access Solutions, Live OS, Loop, Lyris, Lyris 2, Made-to-Measure Storage, Metaform Portfolio, Mora, Motia, Multiscrim, Nelson, Pari, Pixelated Support, Plex, PostureFit SL, Prospect, Q, Renew, Sense, Soft Pad, Stackable, Stackable Storage, Striad, Swoop, Tone, TriFlex, Twist, Ubi, Verus and Wireframe are among the trademarks of Herman Miller, Inc., and its owned subsidiaries.

SM Herman Miller Options is among the service marks of Herman Miller, Inc.

Alexander Girard® is a registered trademark of The Alexander Girard Estate.

Chemsur® is a registered trademark of Wilsonart International.

Corian® is a registered trademark of E. I. du Pont de Nemours and Company Corporation.

Crypton® is a registered trademark of Crypton, Inc.

DACRON® is a registered trademark of INVISTA S.a r.l.

Edelman® Leather is a registered trademark of Edelman Leather, Inc.

FENIX NTM® is a registered trademark of Arpa Industriale S.p.A.

FLEXNET™ is a trademark of Milliken & Company.

Floor Saver Glide® is a registered trademark of Carpin Manufacturing, Inc.

Geiger® is a registered trademark, and Bumper™, Saiba™, and Ward Bennett™ are trademarks, of Geiger International.

Goetz™ is a trademark of Mark W. Goetz.

Hang-It-All® is a registered trademark of Lucia Eames Demetrios, d.b.a. Eames Office.

Holophane® is a registered trademark of Holophane.

Ingeo™ is a trademark of Cargill Dow LLC.

iPad® is a registered trademark of Apple, Inc.

LifeSize® is a registered trademark of LifeSize Communications, Inc.

Magis®, Bombo®, and Me Too® are registered trademarks of Magis S.p.A.

Microsoft® and Natural® Keyboard are registered trademarks of Microsoft Corporation.

Noguchi® and the Noguchi table configuration (trade dress) are registered trademarks, and Rudder Table™ is a trademark, of The Isamu Noguchi Foundation and Garden Museum.

Place Textiles® is a registered trademark of Place Textiles.

SuperSeat™ is a trademark of Dahti Seating, a division of ITW.