

INSTALLATION INSTRUCTIONS

lumencove® 2.0

WHITE & STATIC COLORS,
COLOR CHANGING
& DYNAMIC WHITE

drawing number 118637



This product must be installed in accordance with applicable national and local electrical and construction codes by a person familiar with the construction and operation of the product and the hazards involved. Failure to comply with the following installation instructions may result in death or serious injury.

⚠ WARNING

SEPARATION OF FIELD INSTALLED POWER LIMITED CIRCUIT (DIMMING/CONTROL) WIRING FROM THE BRANCH CIRCUIT WIRING IN THE OUTLET BOX ARE TO BE MADE IN ACCORDANCE WITH LOCAL AND/OR NATIONAL ELECTRICAL INSTALLATION CODES.

⚠ WARNING

DISCONNECT POWER BEFORE INSTALLING OR SERVICING TO AVOID ELECTRICAL SHOCK.

⚠ WARNING

DO NOT EXCEED FIXTURE SPECIFIED VOLTAGE.

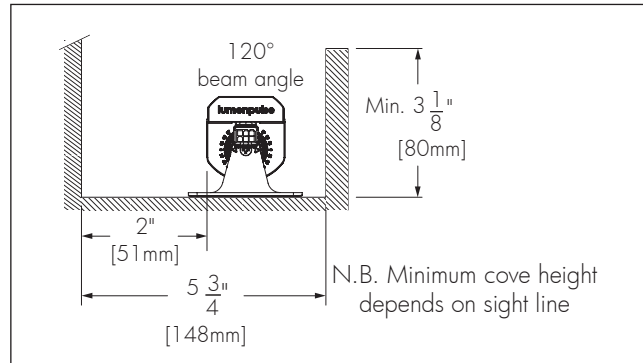
⚠ WARNING

DO NOT USE IF FIXTURE, PARTS OR CONNECTORS ARE DAMAGED.

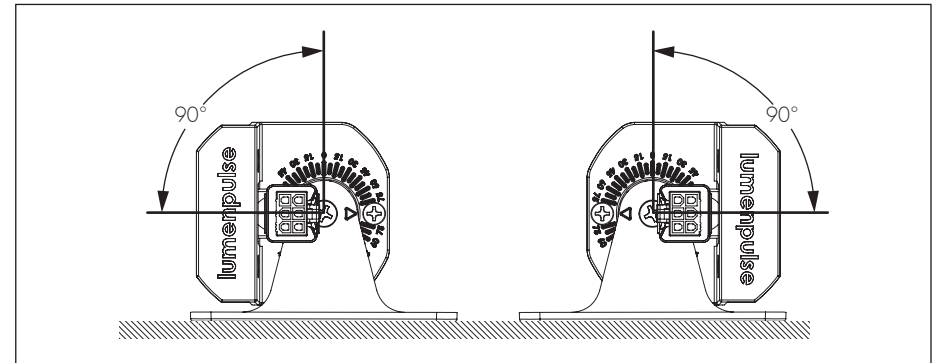
CAUTION

UNAUTHORIZED FIELD REPAIRS WILL VOID WARRANTY.

MINIMUM COVE DIMENSIONS



PIVOT LIMITS

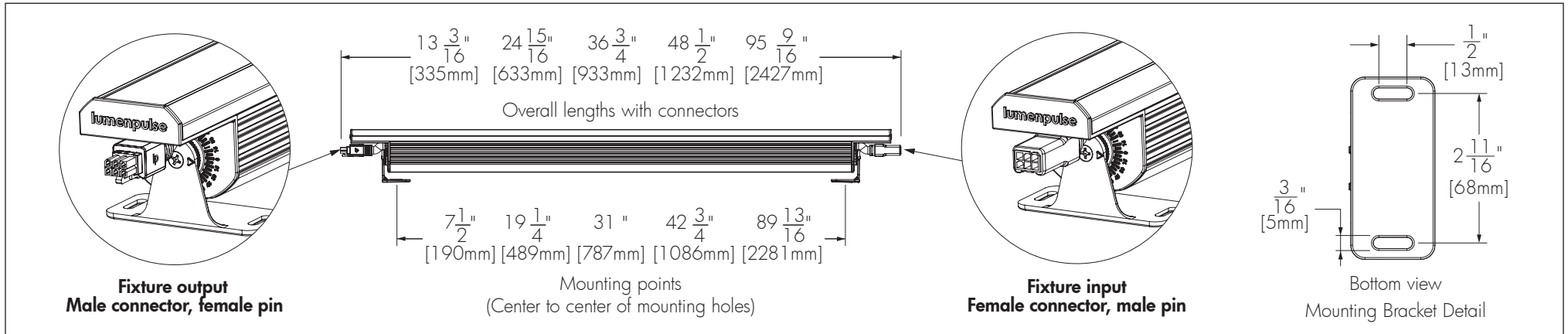


REQUIRED TOOL:

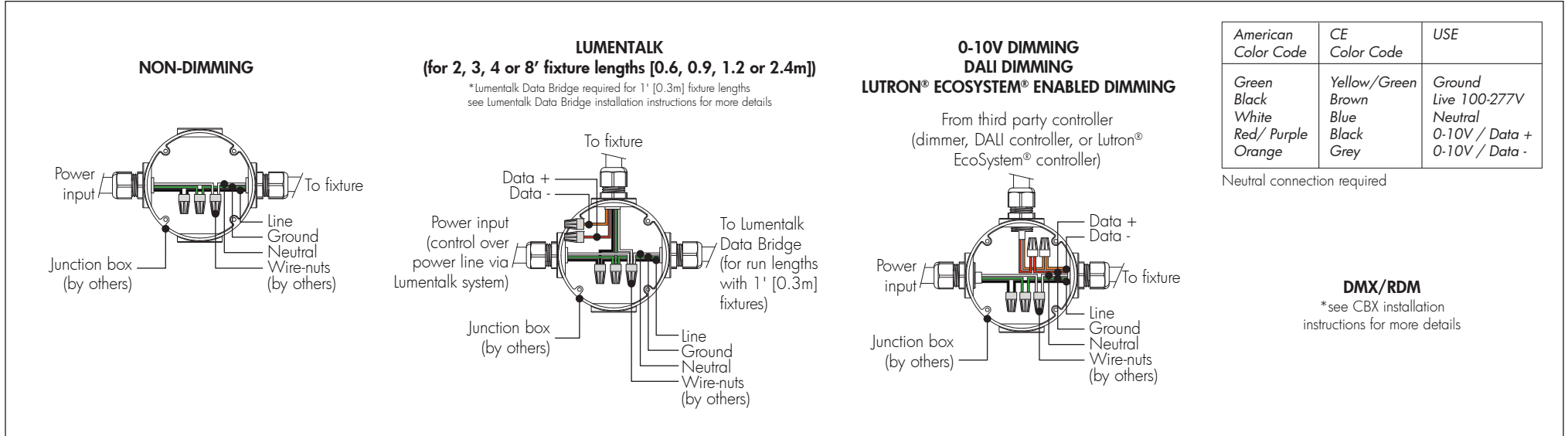
PHILLIPS
SCREWDRIVER



PRODUCT DETAILS



WIRING DETAIL AT JUNCTION BOX (BY OTHERS)

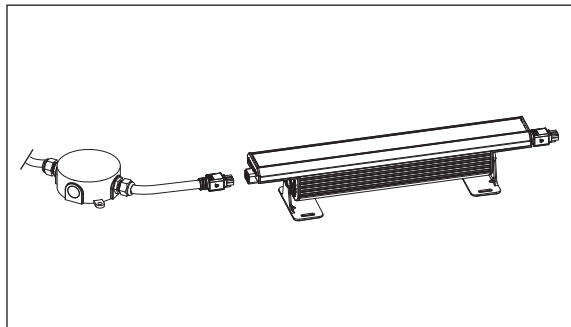


DMX/Data Cable Specification
DMX Cable from Controller to CBX and CBX to CBX shall adhere to ANSI E1.11 - 2008 (2013) - Entertainment Technology - USITT DMX512-A, Asynchronous Serial Digital Data Transmission Standard for Controlling Lighting Equipment and Accessories. At minimum DMX Cable shall be 1-Pair (24 AWG, 7x32 Stranding) Twisted (minimum of 4.8 twists/foot), Shielded, minimum of 100 ohms Impedance, and <25 pF/ft. Capacitance.

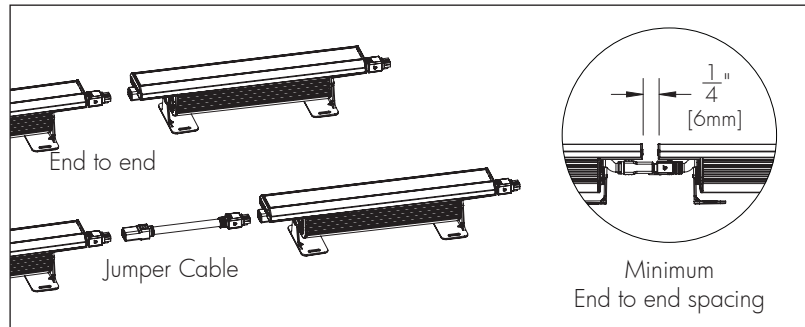
Combined Power & Data Cable Specification
Fixture cabling from CBX to Fixtures shall be installed per NEC and local Codes. All cables shall be SOOW style cables with minimum of 16 AWG annealed stranded bare copper per ASTM B-174 with a minimum temperature range of -40°C to +90°C. All conductor standing must be a minimum of 26/30 and capable of handling 13 amps. Cable must be water resistant, UL Listed and CSA certified for indoor and outdoor use. Must be Ozone-sunlight (UV) and weather resistant.

NOTICE
RECORD THE LOCATION OF EACH FIXTURE BY SERIAL NUMBER TO PREPARE FOR THE COMMISSIONING PROCESS (DMX/RDM).

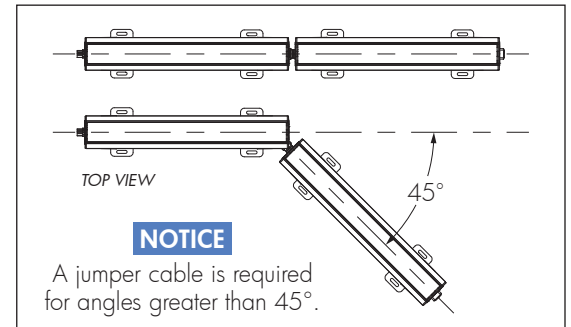
CONNECT LEADER CABLE TO FIRST FIXTURE



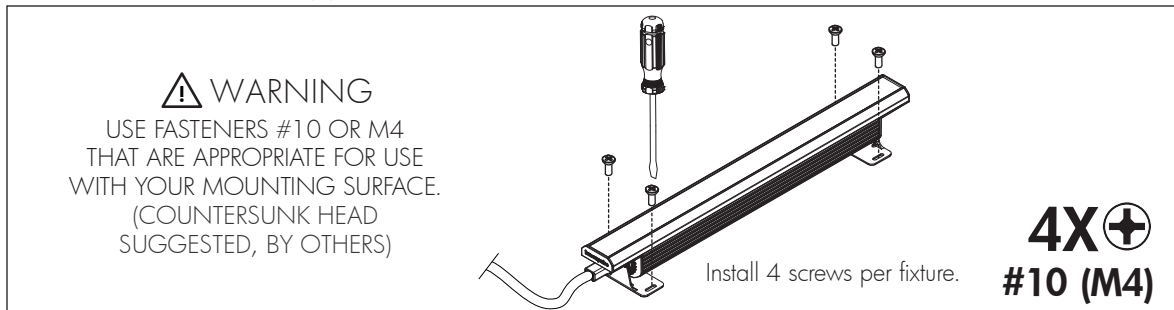
CONNECT NEXT FIXTURES



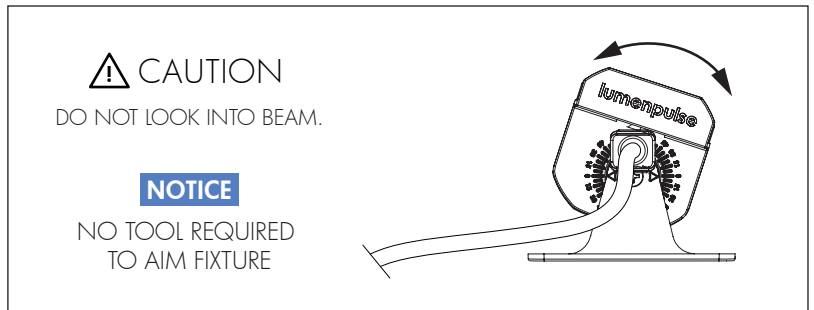
MAXIMUM ANGLE ADJUSTMENT



ALIGN AND SECURE FIXTURE(S) TO SURFACE



ADJUST BEAM ORIENTATION



lumencove™, a proprietary binning method, guarantees color temperature consistency within a 2-step MacAdam ellipse.
lumencove talk lumencove near™ Combine lumencove translator with Lumencove-enabled luminaires housing lumencove's proprietary lumencove near control card to build your Lumencove system.

2017.11.08
MG-R7