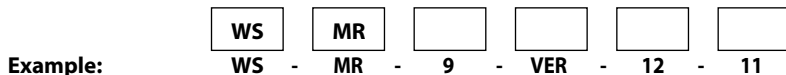


# MR-16 Halogen

# WELL STAR™

<b>PROJECT:</b>	
<b>TYPE:</b>	
<b>CATALOG NUMBER:</b>	
<b>SOURCE:</b>	
<b>NOTES:</b>	

## CATALOG NUMBER LOGIC



Series **WS** - Well Star™

Source **MR** - MR-16 Halogen

- Lamp
- |                                   |                                   |
|-----------------------------------|-----------------------------------|
| <b>0</b> - By Others              | <b>5</b> - FMW(35W), 36° Flood    |
| <b>1</b> - ESX(20W), 12° Spot     | <b>6</b> - EXT(50W), 12° Spot     |
| <b>2</b> - BAB(20W), 36° Flood    | <b>7</b> - EXZ(50W), 25° N. Flood |
| <b>3</b> - FRB(35W), 12° Spot     | <b>8</b> - EXN(50W), 36° Flood    |
| <b>4</b> - FRA(35W), 24° N. Flood | <b>9</b> - FNV(50W), 60° W. Flood |

Finish

Cast Iron Finish		Premium Finish		
<b>Unfinished, Cast Iron</b>	<b>CIF</b>	<b>ABP</b> Antique Brass Powder	<b>CMG</b> Cascade Mountain Granite	<b>RMG</b> Rocky Mountain Granite
<b>Powder Coat Color</b>	<b>Wrinkle</b>	<b>AMG</b> Aleutian Mountain Granite	<b>CRI</b> Cracked Ice	<b>SDS</b> Sonoran Desert Sandstone
Bronze	<b>BZW</b>	<b>AQW</b> Antique White	<b>CRM</b> Cream	<b>SMG</b> Sierra Mountain Granite
Black	<b>BLW</b>	<b>BCM</b> Black Chrome	<b>HUG</b> Hunter Green	<b>TXF</b> Textured Forest
White (Gloss)	<b>WHW</b>	<b>BGE</b> Beige	<b>MDS</b> Mojave Desert Sandstone	<b>WCP</b> Weathered Copper
Verde	<b>VER</b>	<b>BPP</b> Brown Patina Powder	<b>NBP</b> Natural Brass Powder	<b>WIR</b> Weathered Iron
		<b>CAP</b> Clear Anodized Powder	<b>OCP</b> Old Copper	<i>Also available in RAL Finishes See submittal SUB-1439-00</i>

Lens Type **9** - Clear (Standard)      **10** - Spread Lens\*      **12** - Soft Focus Lens\*      **13** - Rectilinear Lens\*

Shielding **11** - Honeycomb Baffle\*

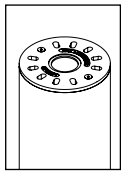
\*Accommodates up to 2 Lens/Shielding media

## LAMP DATA

BK No.	Lamp Watts	Description	Rated Life (hrs.)	Center Beam Candlepower	Beam Angle	Beam Type
1	20	ESX	4,000	4,000	12°	Spot
2	20	BAB	5,000	600	36°	Flood
3	35	FRB	5,000	6,000	12°	Spot
4	35	FRA	5,000	2,300	24°	Narrow Flood
5	35	FMW	5,000	1,300	36°	Flood
6	50	EXT	5,000	11,000	12°	Spot
7	50	EXZ	6,000	3,200	25°	Narrow Flood
8	50	EXN	5,000	2,000	36°	Flood
9	50	FNV	5,000	850	60°	Wide Flood

<b>B-K LIGHTING</b>	40429 Brickyard Drive • Madera, CA 93636 • USA 559.438.5800 • FAX 559.438.5900 www.bklighting.com • info@bklighting.com	RELEASED 01-26-16	DRAWING NUMBER SUB-1007-04
---------------------	-------------------------------------------------------------------------------------------------------------------------------	----------------------	-------------------------------

THIS DOCUMENT CONTAINS PROPRIETARY INFORMATION OF B-K LIGHTING, INC. AND ITS RECEIPT OR POSSESSION DOES NOT CONVEY ANY RIGHTS TO REPRODUCE, DISCLOSE ITS CONTENTS, OR TO MANUFACTURE, USE OR SELL ANYTHING IT MAY DESCRIBE. REPRODUCTION, DISCLOSURE OR USE WITHOUT SPECIFIC WRITTEN AUTHORIZATION OF B-K LIGHTING, INC. IS STRICTLY FORBIDDEN.

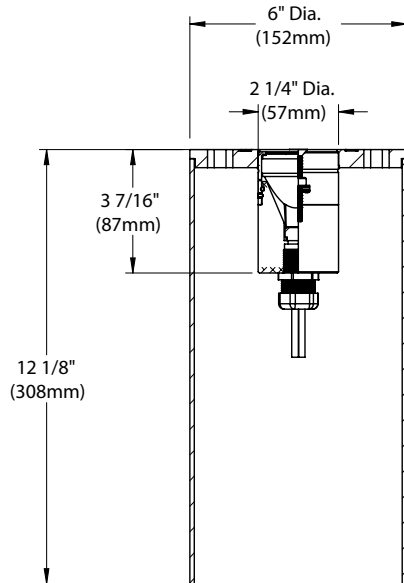


# MR-16 Halogen

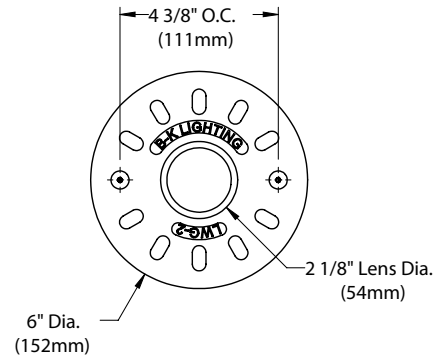
# WELL STAR™

PROJECT:	
TYPE:	

**SIDE VIEW**



**FACEPLATE DETAIL**

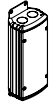


### Accessories (Configure separately)

#### Remote Transformers:



TR Series



UPMRM™

All dimensions indicated on this submittal are nominal. Contact Technical Sales if you require more stringent specifications.

## SPECIFICATIONS

### GreenSource Initiative™

Metal and packaging components are made from recycled materials. Manufactured using renewable solar energy, produced on site. Returnable to manufacturer at end of life to ensure cradle-to-cradle handling. Packaging contains no chlorofluorocarbons (CFC's). Use of this product may qualify for GreenSource efficacy and recycling rebate(s). Consult [www.bklighting.com/greensource](http://www.bklighting.com/greensource) for program requirements.

### Materials

Furnished in Cast Iron (ASTM Type A43).

### Well Cover

Cast constructed. Slotted, flow through design. [2] Tamper resistant, stainless steel cap screws.

### Body

Fully machined from solid billet. Unibody design provides enclosed, water-proof wireway and integral heat sink for maximum lamp life. High temperature, silicone 'O' Ring provides water-tight seal.

### Cap

Fully machined. Flush mounted lens. Accommodates up to [1] lens or louver media.

### Lens

Shock resistant, tempered, glass lens is factory adhered to fixture cap and provides hermetically sealed optical compartment.

### Lamp

For use with 50 Watt maximum, MR-16 lamp.\* Not for use with IR technology lamps.

\*Except GE Light Q42MR16/C/VNSP9 (EZY).

### Transformer

For use with 12 VAC remote transformer.

### Socket

Specification grade ceramic body lamp holder. GU5.3 base. Nickel allow contacts and heat resistant, spring loaded, stainless steel lamp retaining clips.

### Wiring

Teflon® coated, 18AWG, 600V, 250° C rated and certified to UL 1659 standard. Anti-Siphon Valve (ASV™) prevents "wicking" through conductor insulation.

### Installation

6" dia., 1/8" steel-wall housing. Flow through design for drainage (drain material by others).

For direct burial in soil or concrete. Consult Drainage Installation Guide for In-Grade Fixtures (DIG-IT) for compliance with proper soil preparation and drainage requirements prior to installation.

### Hardware

Tamper-resistant, stainless steel hardware. Well cover screws are additionally black oxide treated for additional corrosion resistance.

### Finish

Natural Cast Iron or class 'A' TGIC polyester powder coat finish.

### Warranty

5 year limited warranty.

### Certification and Listing

UL Listed. Certified to CAN/CSA/ANSI Standards. RoHs compliant. Suitable for indoor or outdoor use. Suitable for use in wet locations. Suitable for installation within 4' of the ground. IP66 Rated. Made in USA.



Teflon is a registered trademark of DuPont Corporation.

# B-K LIGHTING

40429 Brickyard Drive • Madera, CA 93636 • USA  
559.438.5800 • FAX 559.438.5900  
[www.bklighting.com](http://www.bklighting.com) • [info@bklighting.com](mailto:info@bklighting.com)

RELEASED  
01-26-16

DRAWING NUMBER  
SUB-1007-04



By SORAA™

# MR16 LED RETROFIT LAMP

<b>PROJECT:</b>	
<b>TYPE:</b>	
<b>CATALOG NUMBER:</b>	
<b>LAMP(S):</b>	
<b>NOTES:</b>	

<p><b>B-K Lamp # 359</b>            Base: GU5.3 Bi-Pin            Input Voltage: 12V            CCT: 2700K            Beam: 10° Spot</p>	<p>Mfg. #: MR16-            SM16-07-10D-927-03            Wattage: 7.5W            Lamp Efficacy: 51 (Lm/W)            Rated Life: 35,000 hrs</p>	<p>CBCP (cd): 5710            CRI: &gt;95            Power Factor: 0.92            Dimmable: Yes            Lumens: 390</p>	<table border="1"> <thead> <tr> <th>Distance feet</th> <th>Beam Dia. (50% CBCP)</th> <th>Footcandles</th> </tr> </thead> <tbody> <tr><td>3'</td><td>0.5'</td><td>634</td></tr> <tr><td>6'</td><td>1.0'</td><td>160</td></tr> <tr><td>9'</td><td>1.6'</td><td>69</td></tr> <tr><td>12'</td><td>2.1'</td><td>40</td></tr> <tr><td>15'</td><td>2.6'</td><td>23</td></tr> </tbody> </table>	Distance feet	Beam Dia. (50% CBCP)	Footcandles	3'	0.5'	634	6'	1.0'	160	9'	1.6'	69	12'	2.1'	40	15'	2.6'	23
Distance feet	Beam Dia. (50% CBCP)	Footcandles																			
3'	0.5'	634																			
6'	1.0'	160																			
9'	1.6'	69																			
12'	2.1'	40																			
15'	2.6'	23																			
<p><b>B-K Lamp # 361</b>            Base: GU5.3 Bi-Pin            Input Voltage: 12V            CCT: 2700K            Beam: 25° Narrow Flood</p>	<p>Mfg. #: MR16-            SM16-07-25D-927-03            Wattage: 7.5W            Lamp Efficacy: 53 (Lm/W)            Rated Life: 35,000 hrs</p>	<p>CBCP (cd): 2260            CRI: &gt;95            Power Factor: 0.92            Dimmable: Yes            Lumens: 410</p>	<table border="1"> <thead> <tr> <th>Distance feet</th> <th>Beam Dia. (50% CBCP)</th> <th>Footcandles</th> </tr> </thead> <tbody> <tr><td>3'</td><td>1.3'</td><td>251</td></tr> <tr><td>6'</td><td>2.7'</td><td>63</td></tr> <tr><td>9'</td><td>4.0'</td><td>27</td></tr> <tr><td>12'</td><td>5.3'</td><td>16</td></tr> <tr><td>15'</td><td>6.7'</td><td>9</td></tr> </tbody> </table>	Distance feet	Beam Dia. (50% CBCP)	Footcandles	3'	1.3'	251	6'	2.7'	63	9'	4.0'	27	12'	5.3'	16	15'	6.7'	9
Distance feet	Beam Dia. (50% CBCP)	Footcandles																			
3'	1.3'	251																			
6'	2.7'	63																			
9'	4.0'	27																			
12'	5.3'	16																			
15'	6.7'	9																			
<p><b>B-K Lamp # 362</b>            Base: GU5.3 Bi-Pin            Input Voltage: 12V            CCT: 2700K            Beam: 36° Flood</p>	<p>Mfg. #: MR16-            SM16-07-36D-927-03            Wattage: 7.5W            Lamp Efficacy: 53 (Lm/W)            Rated Life: 35,000 hrs</p>	<p>CBCP (cd): 1040            CRI: &gt;95            Power Factor: 0.92            Dimmable: Yes            Lumens: 410</p>	<table border="1"> <thead> <tr> <th>Distance feet</th> <th>Beam Dia. (50% CBCP)</th> <th>Footcandles</th> </tr> </thead> <tbody> <tr><td>3'</td><td>1.9'</td><td>119</td></tr> <tr><td>6'</td><td>3.9'</td><td>30</td></tr> <tr><td>9'</td><td>5.8'</td><td>13</td></tr> <tr><td>12'</td><td>7.8'</td><td>7</td></tr> <tr><td>15'</td><td>9.7'</td><td>4</td></tr> </tbody> </table>	Distance feet	Beam Dia. (50% CBCP)	Footcandles	3'	1.9'	119	6'	3.9'	30	9'	5.8'	13	12'	7.8'	7	15'	9.7'	4
Distance feet	Beam Dia. (50% CBCP)	Footcandles																			
3'	1.9'	119																			
6'	3.9'	30																			
9'	5.8'	13																			
12'	7.8'	7																			
15'	9.7'	4																			
<p><b>B-K Lamp # 363</b>            Base: GU5.3 Bi-Pin            Input Voltage: 12V            CCT: 3000K            Beam: 10° Spot</p>	<p>Mfg. #: MR16-            SM16-07-10D-930-03            Wattage: 7.5W            Lamp Efficacy: 55 (Lm/W)            Rated Life: 35,000 hrs</p>	<p>CBCP (cd): 6000            CRI: &gt;95            Power Factor: 0.92            Dimmable: Yes            Lumens: 410</p>	<table border="1"> <thead> <tr> <th>Distance feet</th> <th>Beam Dia. (50% CBCP)</th> <th>Footcandles</th> </tr> </thead> <tbody> <tr><td>3'</td><td>0.5'</td><td>666</td></tr> <tr><td>6'</td><td>1.0'</td><td>168</td></tr> <tr><td>9'</td><td>1.6'</td><td>72</td></tr> <tr><td>12'</td><td>2.1'</td><td>42</td></tr> <tr><td>15'</td><td>2.6'</td><td>24</td></tr> </tbody> </table>	Distance feet	Beam Dia. (50% CBCP)	Footcandles	3'	0.5'	666	6'	1.0'	168	9'	1.6'	72	12'	2.1'	42	15'	2.6'	24
Distance feet	Beam Dia. (50% CBCP)	Footcandles																			
3'	0.5'	666																			
6'	1.0'	168																			
9'	1.6'	72																			
12'	2.1'	42																			
15'	2.6'	24																			
<p><b>B-K Lamp # 365</b>            Base: GU5.3 Bi-Pin            Input Voltage: 12V            CCT: 3000K            Beam: 25° Narrow Flood</p>	<p>Mfg. #: MR16-            SM16-07-25D-930-03            Wattage: 7.5W            Lamp Efficacy: 58 (Lm/W)            Rated Life: 35,000 hrs</p>	<p>CBCP (cd): 2400            CRI: &gt;95            Power Factor: 0.92            Dimmable: Yes            Lumens: 435</p>	<table border="1"> <thead> <tr> <th>Distance feet</th> <th>Beam Dia. (50% CBCP)</th> <th>Footcandles</th> </tr> </thead> <tbody> <tr><td>3'</td><td>1.3'</td><td>266</td></tr> <tr><td>6'</td><td>2.7'</td><td>67</td></tr> <tr><td>9'</td><td>4.0'</td><td>29</td></tr> <tr><td>12'</td><td>5.3'</td><td>17</td></tr> <tr><td>15'</td><td>6.7'</td><td>10</td></tr> </tbody> </table>	Distance feet	Beam Dia. (50% CBCP)	Footcandles	3'	1.3'	266	6'	2.7'	67	9'	4.0'	29	12'	5.3'	17	15'	6.7'	10
Distance feet	Beam Dia. (50% CBCP)	Footcandles																			
3'	1.3'	266																			
6'	2.7'	67																			
9'	4.0'	29																			
12'	5.3'	17																			
15'	6.7'	10																			
<p><b>B-K Lamp # 366</b>            Base: GU5.3 Bi-Pin            Input Voltage: 12V            CCT: 3000K            Beam: 36° Flood</p>	<p>Mfg. #: MR16-            SM16-07-36D-930-03            Wattage: 7.5W            Lamp Efficacy: 58 (Lm/W)            Rated Life: 35,000 hrs</p>	<p>CBCP (cd): 1130            CRI: &gt;95            Power Factor: 0.92            Dimmable: Yes            Lumens: 435</p>	<table border="1"> <thead> <tr> <th>Distance feet</th> <th>Beam Dia. (50% CBCP)</th> <th>Footcandles</th> </tr> </thead> <tbody> <tr><td>3'</td><td>1.9'</td><td>125</td></tr> <tr><td>6'</td><td>3.9'</td><td>32</td></tr> <tr><td>9'</td><td>5.8'</td><td>14</td></tr> <tr><td>12'</td><td>7.8'</td><td>8</td></tr> <tr><td>15'</td><td>9.7'</td><td>5</td></tr> </tbody> </table>	Distance feet	Beam Dia. (50% CBCP)	Footcandles	3'	1.9'	125	6'	3.9'	32	9'	5.8'	14	12'	7.8'	8	15'	9.7'	5
Distance feet	Beam Dia. (50% CBCP)	Footcandles																			
3'	1.9'	125																			
6'	3.9'	32																			
9'	5.8'	14																			
12'	7.8'	8																			
15'	9.7'	5																			

**B-K LIGHTING**

40429 Brickyard Drive • Madera, CA 93636 • USA  
 559.438.5800 • FAX 559.438.5900  
 www.bklighting.com • info@bklighting.com

SUBMITTAL DATE  
 05-20-16

DRAWING NUMBER  
 SUB-2099-00

THIS DOCUMENT CONTAINS PROPRIETARY INFORMATION OF B-K LIGHTING, INC. AND ITS RECEIPT OR POSSESSION DOES NOT CONVEY ANY RIGHTS TO REPRODUCE, DISCLOSE ITS CONTENTS, OR TO MANUFACTURE, USE OR SELL ANYTHING IT MAY DESCRIBE. REPRODUCTION, DISCLOSURE OR USE WITHOUT SPECIFIC WRITTEN AUTHORIZATION OF B-K LIGHTING, INC. IS STRICTLY FORBIDDEN.



By SORAA™

# MR16 LED RETROFIT LAMP

<b>PROJECT:</b>	
<b>TYPE:</b>	
<b>CATALOG NUMBER:</b>	
<b>LAMP(S):</b>	
<b>NOTES:</b>	

<p><b>B-K Lamp # 378</b>            Base: GU5.3 Bi-Pin            Input Voltage: 12V            CCT: 4000K            Beam: 10° Spot</p>	<p>Mfg. #: MR16-            SM16-07-10D-940-03            Wattage: 7.5W            Lamp Efficacy: 57 (Lm/W)            Rated Life: 35,000 hrs</p>	<p>CBCP (cd): 6290            CRI: &gt;95            Power Factor: 0.92            Dimmable: Yes            Lumens: 430</p>	<table border="1"> <thead> <tr> <th>Distance feet</th> <th>Beam Dia. (50% CBCP)</th> <th>Footcandles</th> </tr> </thead> <tbody> <tr><td>3'</td><td>0.5'</td><td>698</td></tr> <tr><td>6'</td><td>1.0'</td><td>176</td></tr> <tr><td>9'</td><td>1.6'</td><td>75</td></tr> <tr><td>12'</td><td>2.1'</td><td>44</td></tr> <tr><td>15'</td><td>2.6'</td><td>25</td></tr> </tbody> </table>	Distance feet	Beam Dia. (50% CBCP)	Footcandles	3'	0.5'	698	6'	1.0'	176	9'	1.6'	75	12'	2.1'	44	15'	2.6'	25
Distance feet	Beam Dia. (50% CBCP)	Footcandles																			
3'	0.5'	698																			
6'	1.0'	176																			
9'	1.6'	75																			
12'	2.1'	44																			
15'	2.6'	25																			
<p><b>B-K Lamp # 379</b>            Base: GU5.3 Bi-Pin            Input Voltage: 12V            CCT: 4000K            Beam: 25° Narrow Flood</p>	<p>Mfg. #: MR16-            SM16-07-25D-940-03            Wattage: 7.5W            Lamp Efficacy: 61 (Lm/W)            Rated Life: 35,000 hrs</p>	<p>CBCP (cd): 2510            CRI: &gt;95            Power Factor: 0.92            Dimmable: Yes            Lumens: 455</p>	<table border="1"> <thead> <tr> <th>Distance feet</th> <th>Beam Dia. (50% CBCP)</th> <th>Footcandles</th> </tr> </thead> <tbody> <tr><td>3'</td><td>1.3'</td><td>279</td></tr> <tr><td>6'</td><td>2.7'</td><td>70</td></tr> <tr><td>9'</td><td>4.0'</td><td>30</td></tr> <tr><td>12'</td><td>5.3'</td><td>18</td></tr> <tr><td>15'</td><td>6.7'</td><td>10</td></tr> </tbody> </table>	Distance feet	Beam Dia. (50% CBCP)	Footcandles	3'	1.3'	279	6'	2.7'	70	9'	4.0'	30	12'	5.3'	18	15'	6.7'	10
Distance feet	Beam Dia. (50% CBCP)	Footcandles																			
3'	1.3'	279																			
6'	2.7'	70																			
9'	4.0'	30																			
12'	5.3'	18																			
15'	6.7'	10																			
<p><b>B-K Lamp # 380</b>            Base: GU5.3 Bi-Pin            Input Voltage: 12V            CCT: 4000K            Beam: 36° Flood</p>	<p>Mfg. #: MR16-            SM16-07-36D-940-03            Wattage: 7.5W            Lamp Efficacy: 53 (Lm/W)            Rated Life: 35,000 hrs</p>	<p>CBCP (cd): 1190            CRI: &gt;95            Power Factor: 0.92            Dimmable: Yes            Lumens: 455</p>	<table border="1"> <thead> <tr> <th>Distance feet</th> <th>Beam Dia. (50% CBCP)</th> <th>Footcandles</th> </tr> </thead> <tbody> <tr><td>3'</td><td>1.9'</td><td>132</td></tr> <tr><td>6'</td><td>3.9'</td><td>33</td></tr> <tr><td>9'</td><td>5.8'</td><td>14</td></tr> <tr><td>12'</td><td>7.8'</td><td>8</td></tr> <tr><td>15'</td><td>9.7'</td><td>5</td></tr> </tbody> </table>	Distance feet	Beam Dia. (50% CBCP)	Footcandles	3'	1.9'	132	6'	3.9'	33	9'	5.8'	14	12'	7.8'	8	15'	9.7'	5
Distance feet	Beam Dia. (50% CBCP)	Footcandles																			
3'	1.9'	132																			
6'	3.9'	33																			
9'	5.8'	14																			
12'	7.8'	8																			
15'	9.7'	5																			
<p><b>B-K Lamp # 381</b>            Base: GU5.3 Bi-Pin            Input Voltage: 12V            CCT: 5000K            Beam: 10° Spot</p>	<p>Mfg. #: MR16-            SM16-07-10D-950-03            Wattage: 7.5W            Lamp Efficacy: 57 (Lm/W)            Rated Life: 35,000 hrs</p>	<p>CBCP (cd): 6290            CRI: &gt;95            Power Factor: 0.92            Dimmable: Yes            Lumens: 430</p>	<table border="1"> <thead> <tr> <th>Distance feet</th> <th>Beam Dia. (50% CBCP)</th> <th>Footcandles</th> </tr> </thead> <tbody> <tr><td>3'</td><td>0.5'</td><td>698</td></tr> <tr><td>6'</td><td>1.0'</td><td>176</td></tr> <tr><td>9'</td><td>1.6'</td><td>75</td></tr> <tr><td>12'</td><td>2.1'</td><td>44</td></tr> <tr><td>15'</td><td>2.6'</td><td>25</td></tr> </tbody> </table>	Distance feet	Beam Dia. (50% CBCP)	Footcandles	3'	0.5'	698	6'	1.0'	176	9'	1.6'	75	12'	2.1'	44	15'	2.6'	25
Distance feet	Beam Dia. (50% CBCP)	Footcandles																			
3'	0.5'	698																			
6'	1.0'	176																			
9'	1.6'	75																			
12'	2.1'	44																			
15'	2.6'	25																			
<p><b>B-K Lamp # 382</b>            Base: GU5.3 Bi-Pin            Input Voltage: 12V            CCT: 5000K            Beam: 25° Narrow Flood</p>	<p>Mfg. #: MR16-            SM16-07-25D-950-03            Wattage: 7.5W            Lamp Efficacy: 61 (Lm/W)            Rated Life: 35,000 hrs</p>	<p>CBCP (cd): 2510            CRI: &gt;95            Power Factor: 0.92            Dimmable: Yes            Lumens: 455</p>	<table border="1"> <thead> <tr> <th>Distance feet</th> <th>Beam Dia. (50% CBCP)</th> <th>Footcandles</th> </tr> </thead> <tbody> <tr><td>3'</td><td>1.1'</td><td>279</td></tr> <tr><td>6'</td><td>2.1'</td><td>70</td></tr> <tr><td>9'</td><td>3.2'</td><td>30</td></tr> <tr><td>12'</td><td>4.2'</td><td>18</td></tr> <tr><td>15'</td><td>5.3'</td><td>10</td></tr> </tbody> </table>	Distance feet	Beam Dia. (50% CBCP)	Footcandles	3'	1.1'	279	6'	2.1'	70	9'	3.2'	30	12'	4.2'	18	15'	5.3'	10
Distance feet	Beam Dia. (50% CBCP)	Footcandles																			
3'	1.1'	279																			
6'	2.1'	70																			
9'	3.2'	30																			
12'	4.2'	18																			
15'	5.3'	10																			
<p><b>B-K Lamp # 383</b>            Base: GU5.3 Bi-Pin            Input Voltage: 12V            CCT: 5000K            Beam: 36° Flood</p>	<p>Mfg. #: MR16-            SM16-07-36D-950-03            Wattage: 7.5W            Lamp Efficacy: 61 (Lm/W)            Rated Life: 35,000 hrs</p>	<p>CBCP (cd): 1190            CRI: &gt;95            Power Factor: 0.92            Dimmable: Yes            Lumens: 455</p>	<table border="1"> <thead> <tr> <th>Distance feet</th> <th>Beam Dia. (50% CBCP)</th> <th>Footcandles</th> </tr> </thead> <tbody> <tr><td>3'</td><td>1.9'</td><td>132</td></tr> <tr><td>6'</td><td>3.9'</td><td>33</td></tr> <tr><td>9'</td><td>5.8'</td><td>14</td></tr> <tr><td>12'</td><td>7.8'</td><td>8</td></tr> <tr><td>15'</td><td>9.7'</td><td>5</td></tr> </tbody> </table>	Distance feet	Beam Dia. (50% CBCP)	Footcandles	3'	1.9'	132	6'	3.9'	33	9'	5.8'	14	12'	7.8'	8	15'	9.7'	5
Distance feet	Beam Dia. (50% CBCP)	Footcandles																			
3'	1.9'	132																			
6'	3.9'	33																			
9'	5.8'	14																			
12'	7.8'	8																			
15'	9.7'	5																			

**B-K LIGHTING**

40429 Brickyard Drive • Madera, CA 93636 • USA  
 559.438.5800 • FAX 559.438.5900  
 www.bklighting.com • info@bklighting.com

SUBMITTAL DATE  
 05-20-16

DRAWING NUMBER  
 SUB-2099-00

THIS DOCUMENT CONTAINS PROPRIETARY INFORMATION OF B-K LIGHTING, INC. AND ITS RECEIPT OR POSSESSION DOES NOT CONVEY ANY RIGHTS TO REPRODUCE, DISCLOSE ITS CONTENTS, OR TO MANUFACTURE, USE OR SELL ANYTHING IT MAY DESCRIBE. REPRODUCTION, DISCLOSURE OR USE WITHOUT SPECIFIC WRITTEN AUTHORIZATION OF B-K LIGHTING, INC. IS STRICTLY FORBIDDEN.