



WW2FB100

OUTDOOR LIGHTING
LED FLOOD LIGHTS

Type	
Project	
Catalog No.	



DESCRIPTION


The WW2FB LED Flood light series is suitable for outdoor wall washing, and lighting driveways, yards, and warehouses. An adjustable mounting bracket allows for positioning of the head and locking it in place.

FEATURES

- cULus listed for outdoor use
- Universal voltage
- Includes mounting bracket
- Includes 36 inch 3-conductor lead wire for hard-wire installations

* Exceeding the operating temperature values may damage the LEDs by reducing the lifespan, lumen output, and/or adversely impact color consistency. It is recommended adequate air flow and heatsinking be taken into consideration in the installation and application of this product. Improper thermal management may lead to premature product failure and void the warranty. Not suitable for installations near salt water. Not submersible. Not dimmable or DMX compatible.

SPECIFICATIONS

Model	WW2FB100
Description	LED Outdoor Flood
Input Voltage	100 – 240V / 277V AC
Input Wattage	102W
Beam Angle	120 degrees
Equivalent Lamp	100 - 150W HPS
Lamp Life	50,000 hours
Fixture Material	Cast Aluminum / Tempered Glass
Fixture Finish	Black, Gray*
Mounting	Mounting Bracket included
Operating Temperature *	-4°F to +113°F
IP Rating / Environment *	IP65 / Wet, Damp, or Dry
Certifications	 US LISTED
Warranty	5 Years – see published warranty terms for detailed information.

LUMEN DATA

Color Temp	Output (Lumens)	Efficacy (Lm/W)
3000K	6520	64
4000K	7223	71
6000K	8100	79

ORDERING INFORMATION

MODEL	POWER	COLOR TEMP	FINISH
WW2FB	100W	NW – Neutral White WW – Warm White* CW – Cool White*	BK – Black GY – Gray*

* Consult Factory

Note: Finish for applications near salt water available.
Slip-fit mounting bracket for more aiming flexibility available

Example: **WW2FB100NBK** (WW2FB / 100W / Neutral White / Black)
Warm White: ~3000K, Neutral White: ~4000K, Cool White: ~6000K



www.jescolighting.com
support@jescolighting.com
Tech Support: 855.592.0029

15 Harbor Park Drive
Port Washington, NY 11050
Main Line: 800.527.7796
Fax Line: 855.265.5768

219 South 6th Ave
City of Industry, CA 91746
Main Line: 855.654.0110
Fax Line: 626.333.2955

9/26/2016

Specifications subject to change without notice.

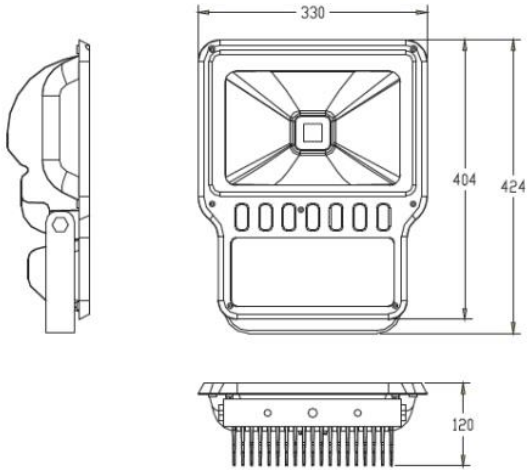


WW2FB100

OUTDOOR LIGHTING
LED FLOOD LIGHTS

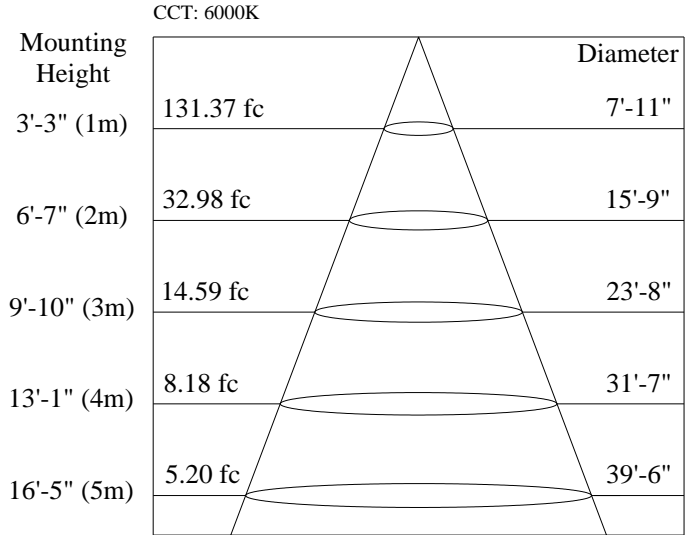
Type	
Project	
Catalog No.	

DIMENSIONS

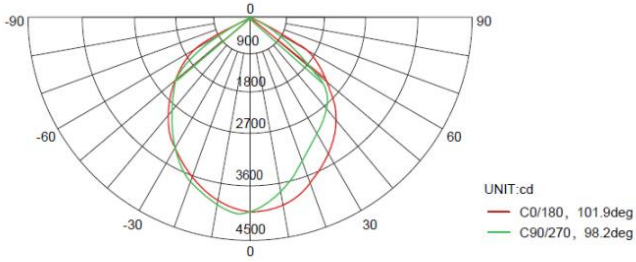


Dims: (330mm / 13")W x (404mm / 16")H x (120mm / 4 3/4")D

CONE DIAGRAM



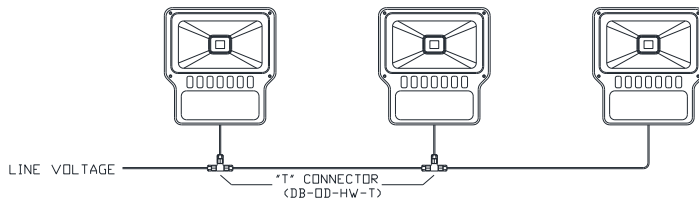
POLAR PLOT



Average Beam Angle (50%) : 100 DEG

WIRING DIAGRAMS – For reference purposes only. Not to scale. Not for installation.

Multi-Fixture wiring diagram using connector DB-OD-HW-T:



Note: Connecting cable (supplied by others) needs to be between 6.5 and 10mm in diameter in order for T-connector to be watertight.

FIXTURE WIRING ACCESSORIES

	Part Number	Description
	DB-OD-HW-T	Distribution Block Outdoor "T" IP67 20AMP/ (6.5-10MM OD) MAX, BLACK UL Rated