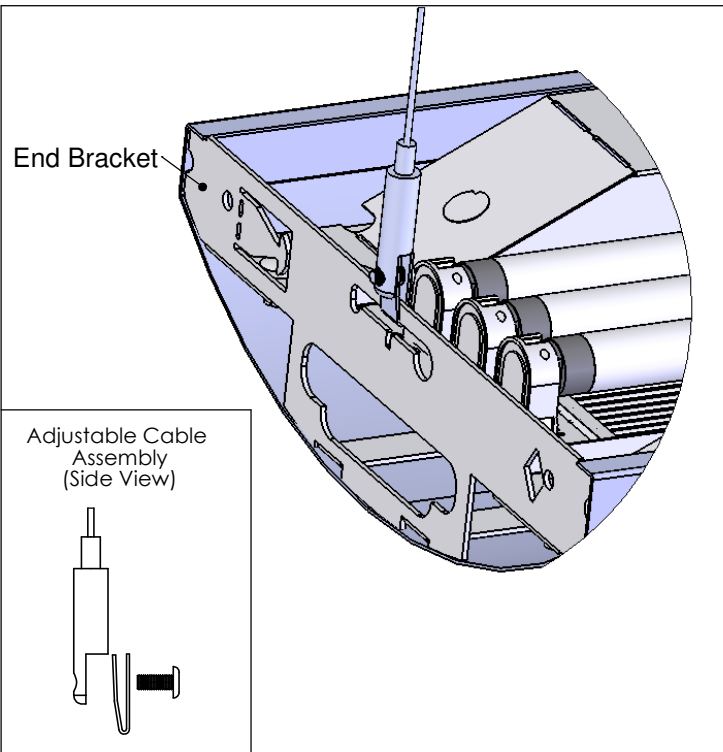


i2 Suspended Luminaire

Warning: Before starting any work ensure that all sources of power are turned off. All work must meet local/national codes and be performed by a certified electrician. **Do not** mount fixtures vertically.

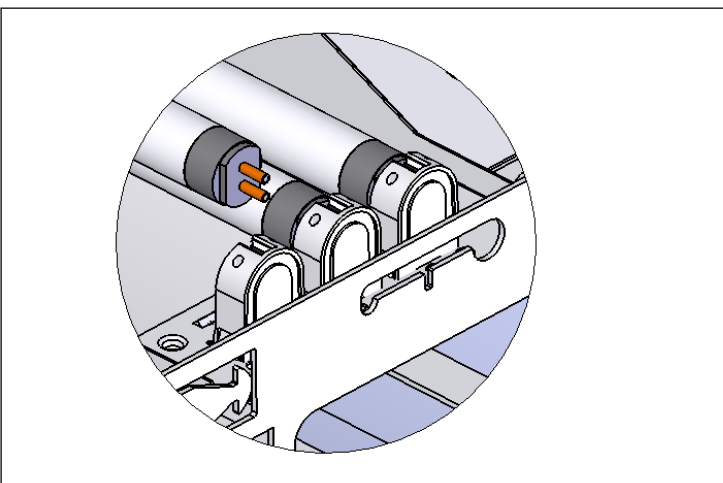
CONNECTION AT FIXTURE

ADJUSTABLE CABLE



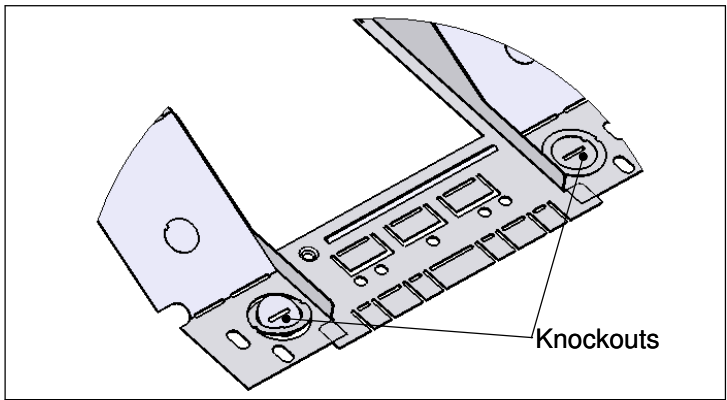
Slide adjuster clip into slot on end bracket. Secure machine screw to adjuster through the holes in the clip, tighten screw, but leave enough of a gap in the clip to slide back and forth. Slide cable through adjuster. Repeat on the opposite end for 1st fixture of row or stand-alone fixtures. For multiple fixtures, level 1st fixture, hang 2nd and level, etc. Level the complete row prior to tightening all the screws.

LAMP INSTALLATION

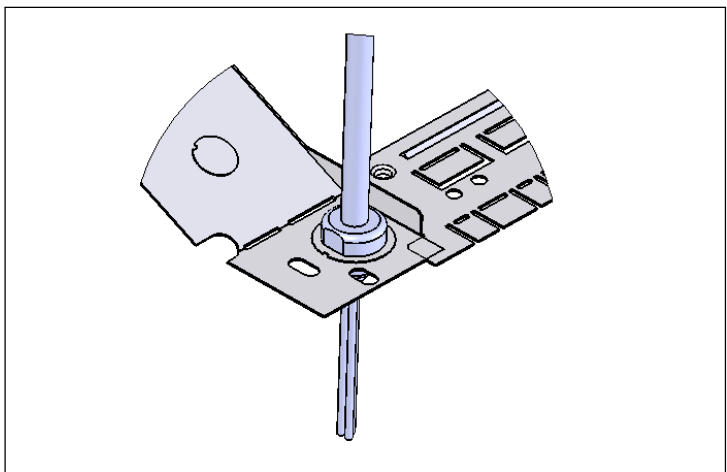


NOTE: Ensure lamps are properly seated before initial power-up. Push lamp down into socket and turn 90 degrees.

5/8"-7/8" KNOCKOUT

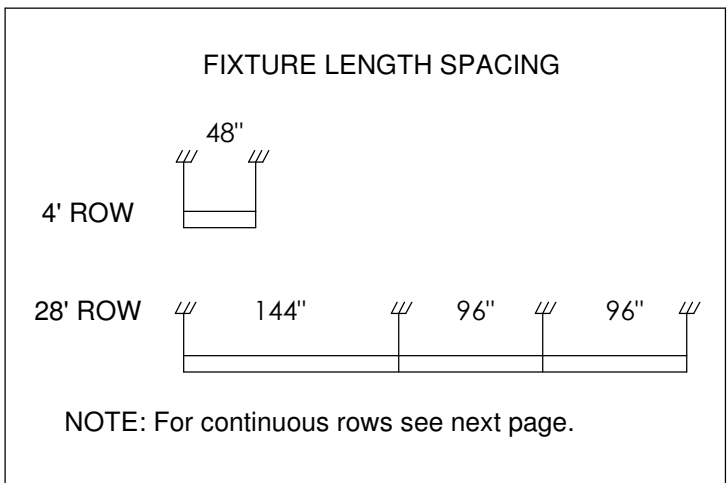


POWER DROPS



Break off appropriate KO, slide power cord through KO opening, then secure power cord with strain relief.

MOUNT SPACING



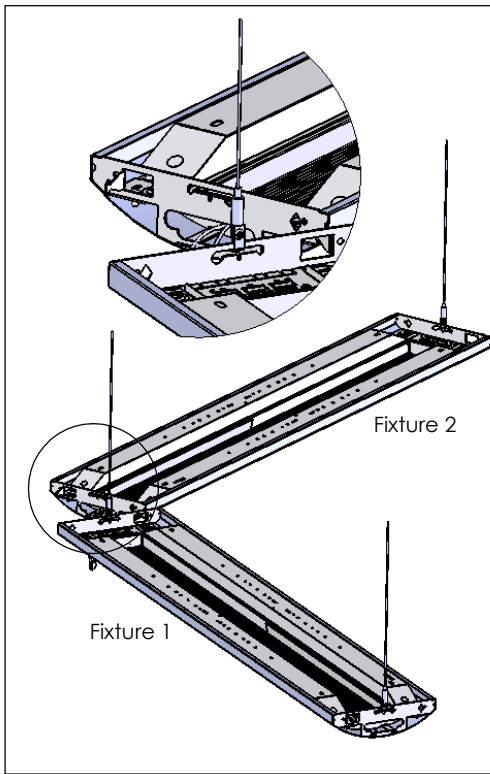
ADE090321 REV B

*Not all options available. Please consult your Cooper Lighting Representative for availability. Specifications and Dimensions subject to change without notice.

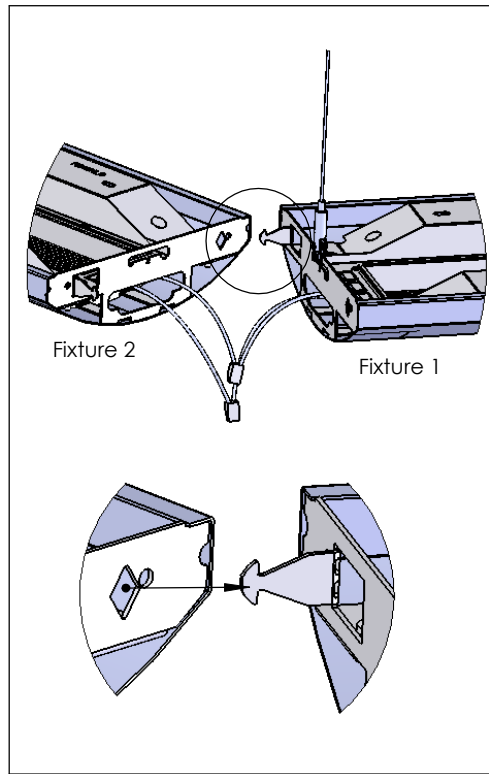
i2 Suspended Luminaire

Warning: Before starting any work ensure that all sources of power are turned off. All work must meet local/national codes and be performed by a certified electrician. **Do not** mount fixtures vertically.

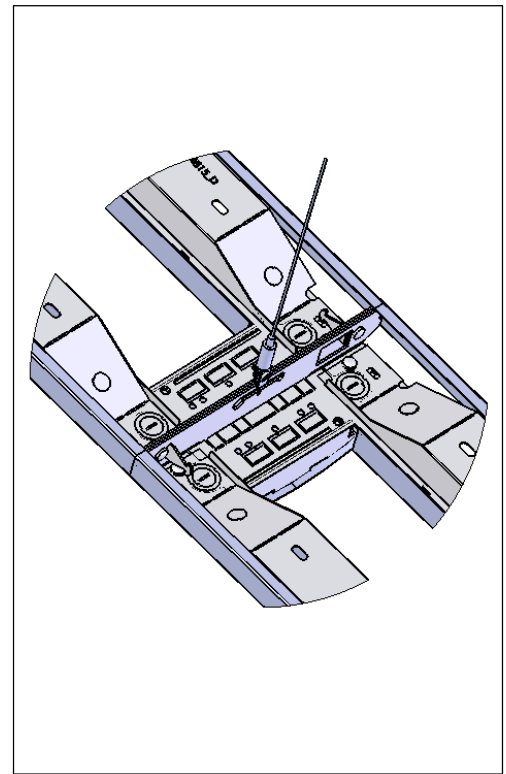
JOINING



Install first fixture with two AC cables, then second fixture with one additional cable.

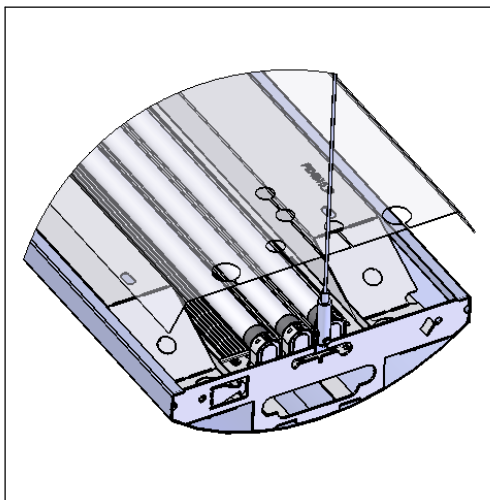


Bend out tapered aligning tabs and fit into aligner slots. (Fixture 2 is now supported by Fixture 1 at the joint.) Make electrical connections.



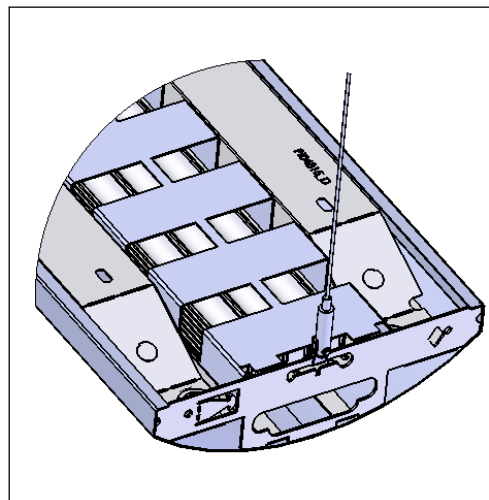
Tuck wires into wire cavity, slide both fixtures together and secure tightly using two 10-32 x 3/8" screws, starwashers and nuts. Tighten 1/4 turn past hand-tight. Starwashers must break the paint for proper grounding to occur.

DUST COVER (ABOVE LAMP)



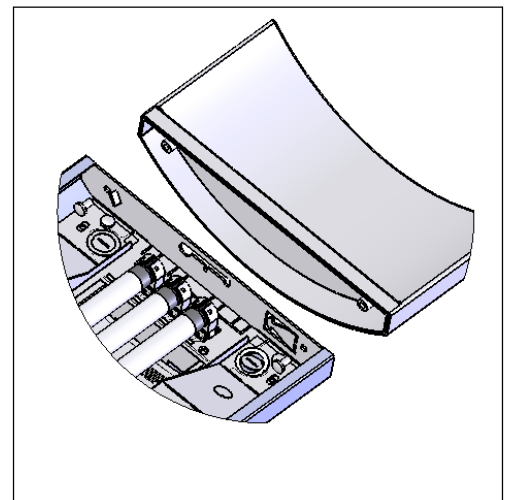
Remove film from dust cover. Squeeze dust cover into fixture. NOTE: Power cord and cables will slide through end of dust cover.

SLIDE-N-LOCK™



Remove film from optic before installing. To install - set in place over lamps. The Slide-N-Lock™ comes preset from the factory to the customer specified optical setting. To adjust, depress the control notch and slide tab to desired setting.

END CAPS



Align End Caps with end bracket of fixture. Secure using two 10-32 x 3/8" self-tapping screws .

ADE090321 REV B

*Not all options available. Please consult your Cooper Lighting Representative for availability. Specifications and Dimensions subject to change without notice.