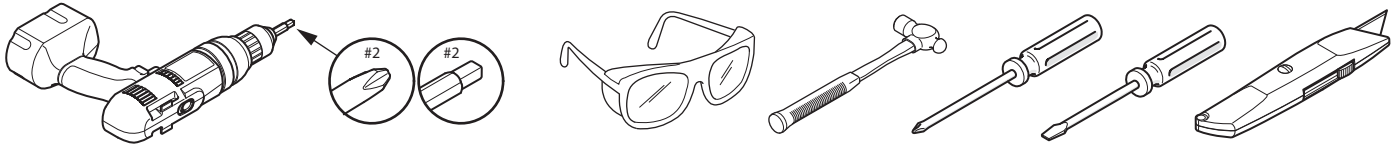


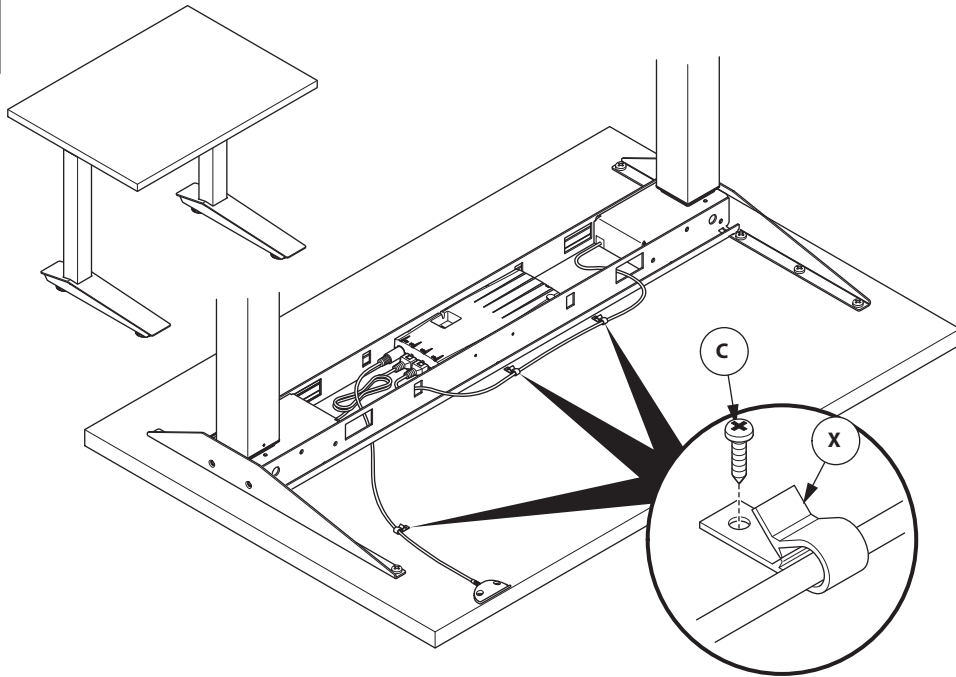


PLANES®
Height Adjustable
 Disassembly & Recycling Instructions

Tools Required




1

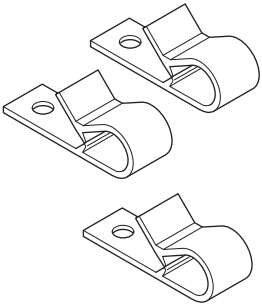


RECYCLE BINS

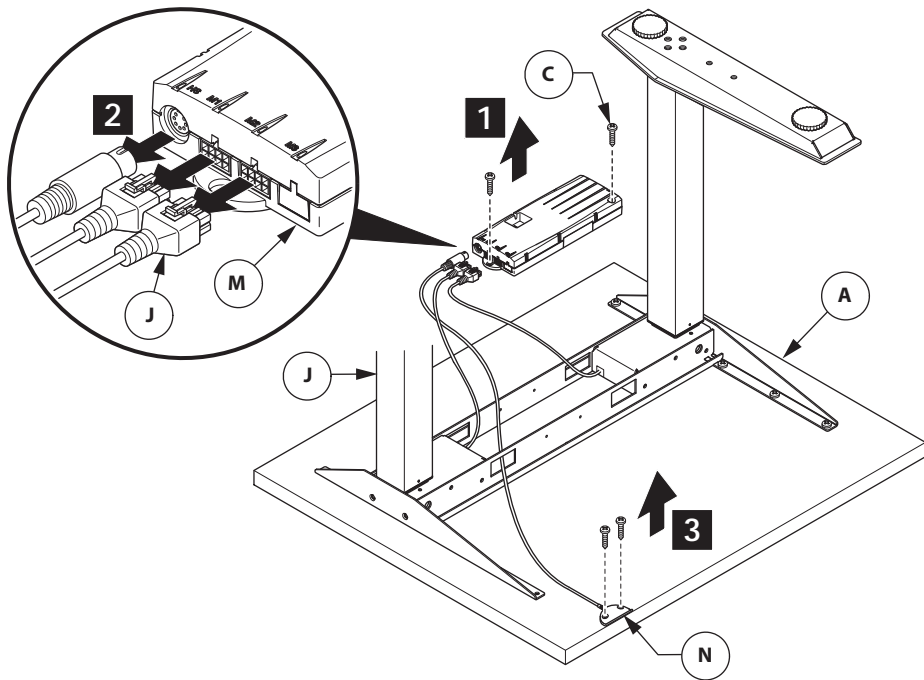
STEEL



NYLON/PLASTIC




2

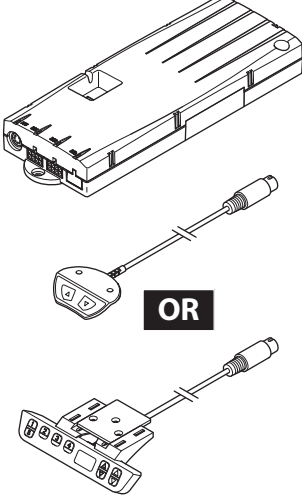


RECYCLE BINS

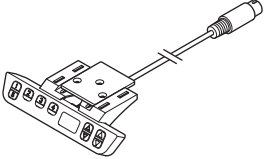
STEEL



ELECTRONICS



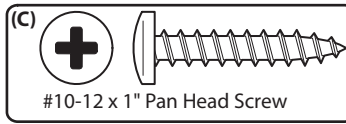
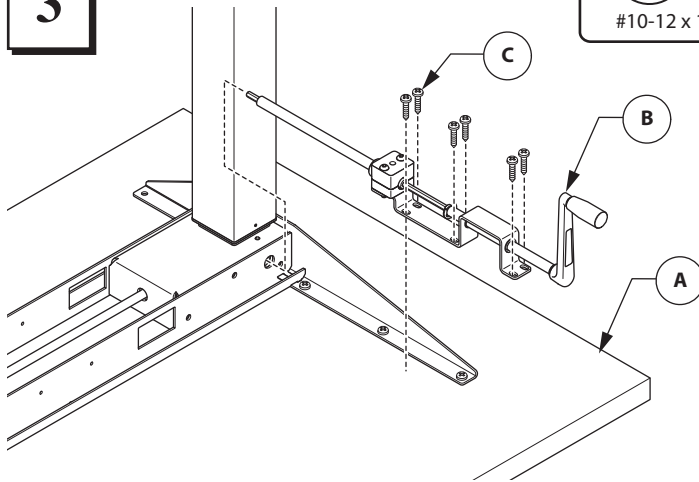
OR



CUSTOMER SERVICE PHONE: 1-800-426-8562

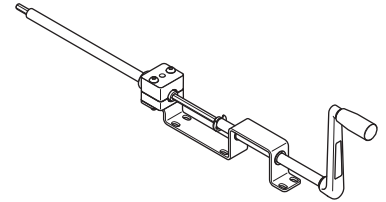
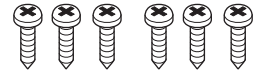
FOR CRANK TABLES

3



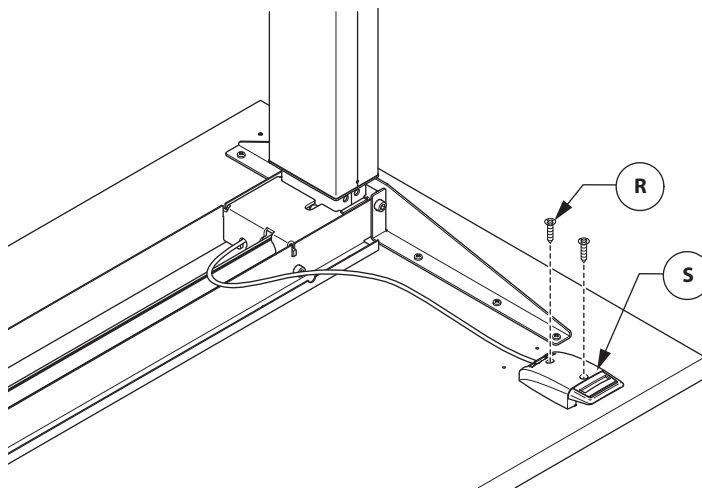
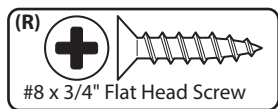
RECYCLE BINS

STEEL



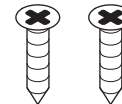
FOR TORSION TABLES

4

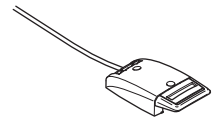


RECYCLE BINS

STEEL

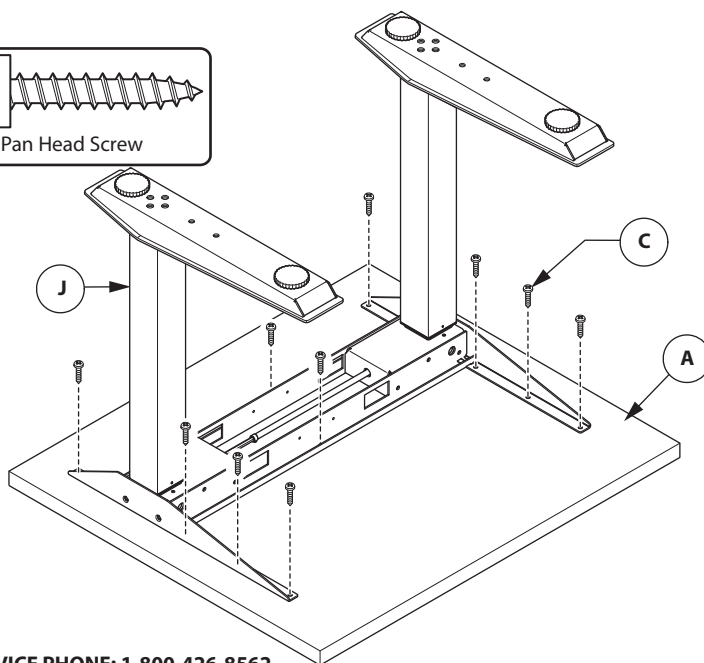
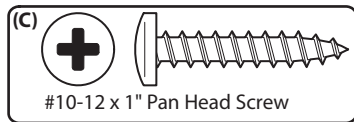


NYLON/PLASTIC



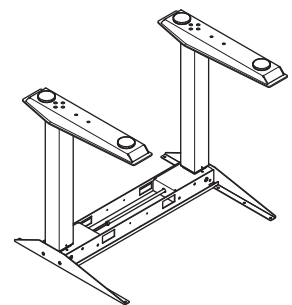
5

Install top (A)

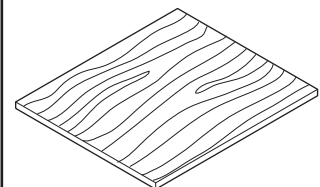


RECYCLE BINS

STEEL



WOOD/LAMINATE



CUSTOMER SERVICE PHONE: 1-800-426-8562