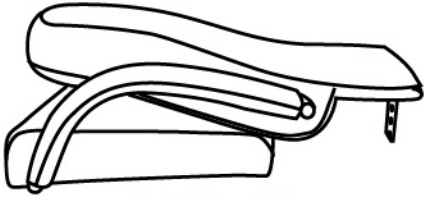





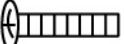

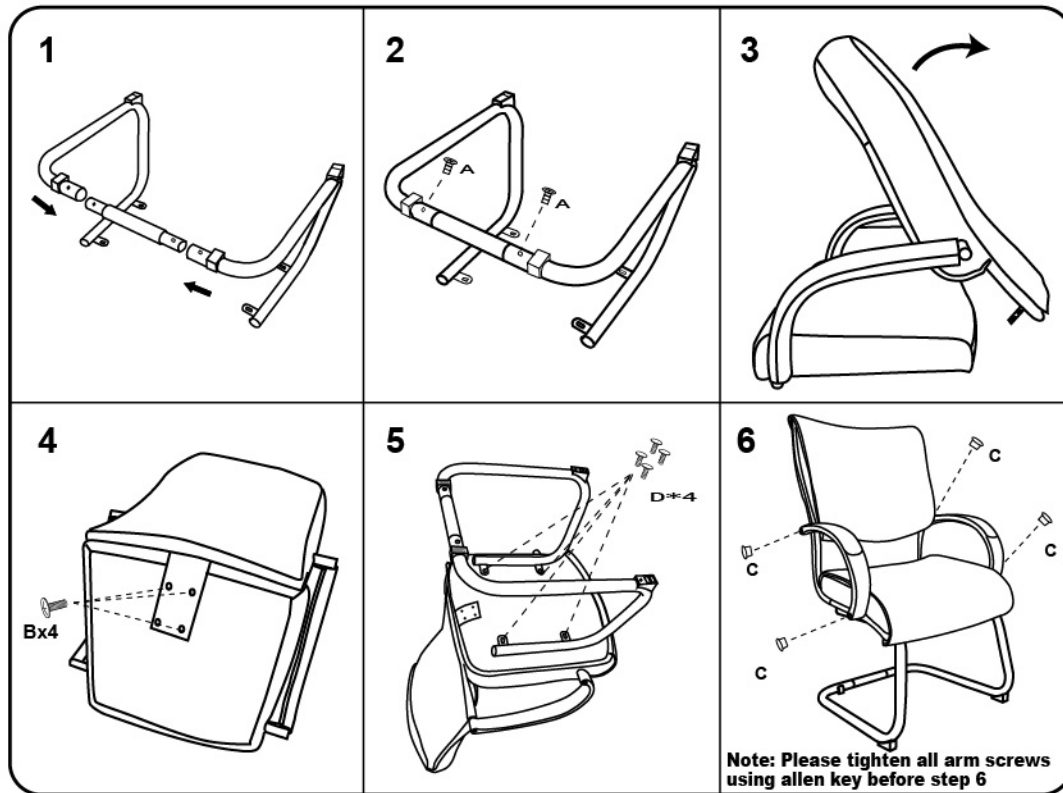


**IMPORTANT NOTICE:
HARDWARE PACKAGE IS ATTACHED
ON THE BOTTOM OF SEAT CUSHION.**

MODEL: 9709 9709C

(1)x1		
 Back & Seat W/Arms		
(2)x1	(3)x1	
 Sled Base	 Connecting Bar	
(A)*2PCS		M6*14 CONNECTING BAR SCREW (Please find these 2 screws on sled base.)
(B)*4PCS		M8*30 BACK BAR SCREWS
(C)*4PCS		ARM CAP
(D)*4PCS		M6*22 SLED BASE/SEAT SCREW
(E)*1PCS		ALLEN KEY



Insert and loosely tighten all screws. When assembly is completed, fully tighten all screws before using. This chair is only intended for sitting. Any other use will void the warranty.

