


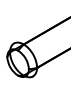


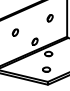




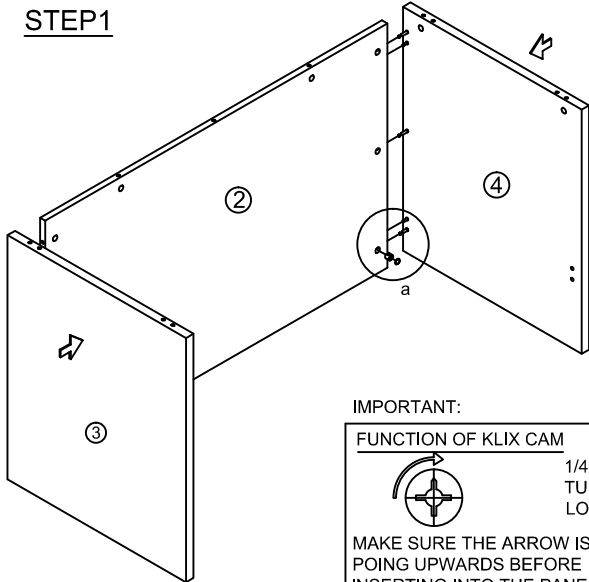
# Assembly Instructions

## MODEL NO.:N104

### Desk shell


TUN010CL	TUN011KC	TUN026	TUN021AG	TUN018SC	TUN013LB	TUN015BG	TUN015BG	TUN015BG
 Cam lock 12pcs+1pc(spare)	 Klix Cam 12pcs+1pc(spare)	 Cam Cover 12pcs+1pc(spare)	 Dowel 9Pcs+1Pc(spare)	 Adjustable Glide 4 PCS	 screw#4**5/8" 30Pcs+1Pc(spare)	 6Hole L-Bracket 5Pcs	 60mm Black Grommet 2 PCS	 Cover 4PCS+1PC(Spare)

#### STEP1



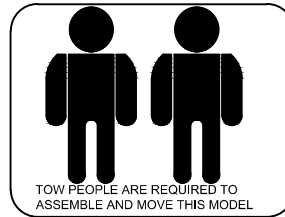
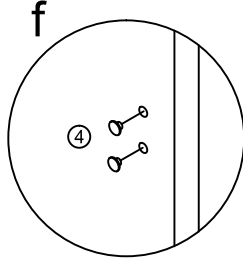
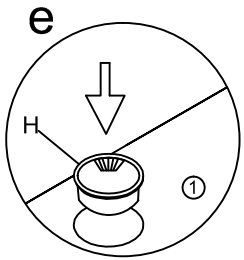
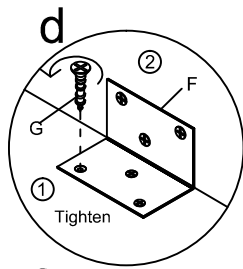
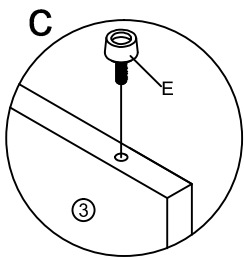
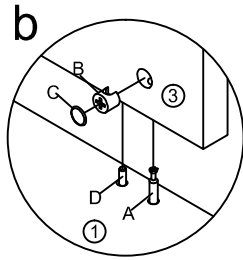
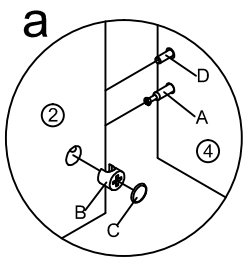
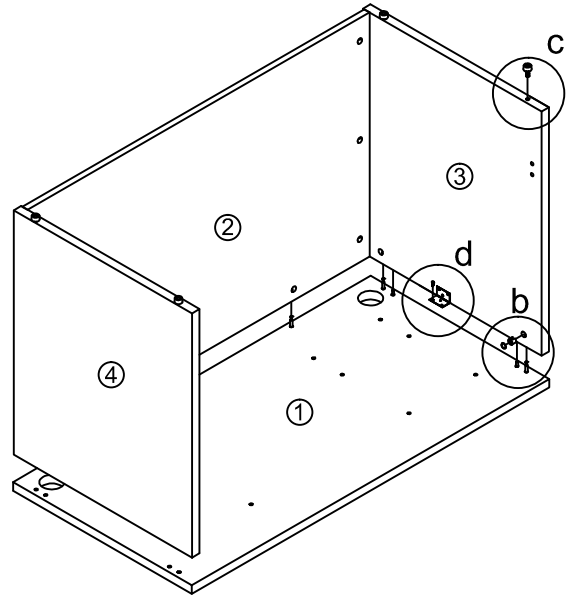
**IMPORTANT:**

**FUNCTION OF KLIX CAM**

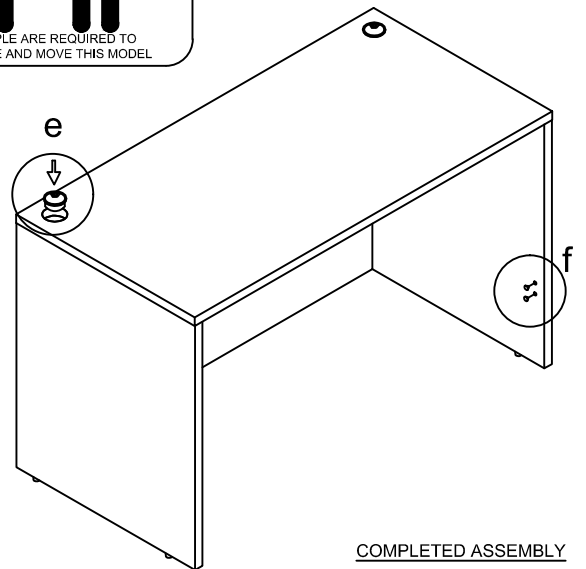

 1/4 RIGHT  
 TURN FOR  
 LOCKING

MAKE SURE THE ARROW IS  
 POING UPWARDS BEFORE  
 INSERTING INTO THE PANELS  
 HOLE

#### STEP2



#### STEP3



COMPLETED ASSEMBLY

#### IMPORTANT NOTE:

- Place all laminated parts on a clean and smooth surface such as a rug or carpet to avoid the parts from being scratched.
- Check to be sure that you have all parts and hardware.
- Remove all wrapping materials, including staples & packing straps before you start to assemble.
- Don't tighten all screws/bolts until all completely assembled.
- Keep all hardware parts out of reach of children
- If the product is not working properly, is missing a part, is damaged, or if you have any questions, please call customer service hotline before returning.
- Customer Service Hotline: 1-800-593-1888 For further assembly instructions, please visit our website at [www.boschair.com](http://www.boschair.com)