

Assembly Instructions ■

Unite® Panel System

Steel Tile & Steel Markerboard Tile

June 2016

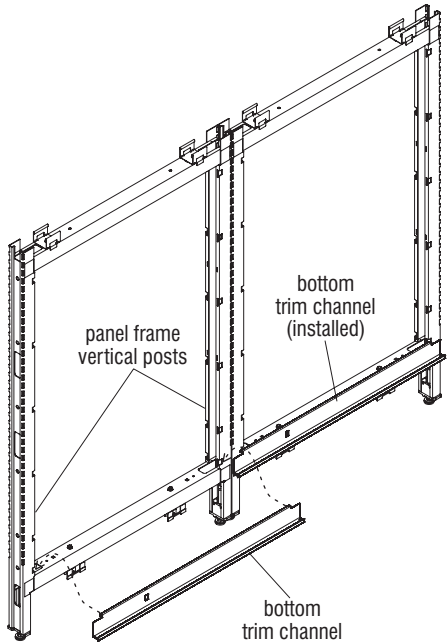


Figure 1 - Bottom Trim Channel Installation



Rare Earth Magnets used with this product. The magnets can be harmful to pacemaker wearers and others with medical devices. **Pacemaker wearers should stay at least one foot away from the steel tiles.**

WARNING

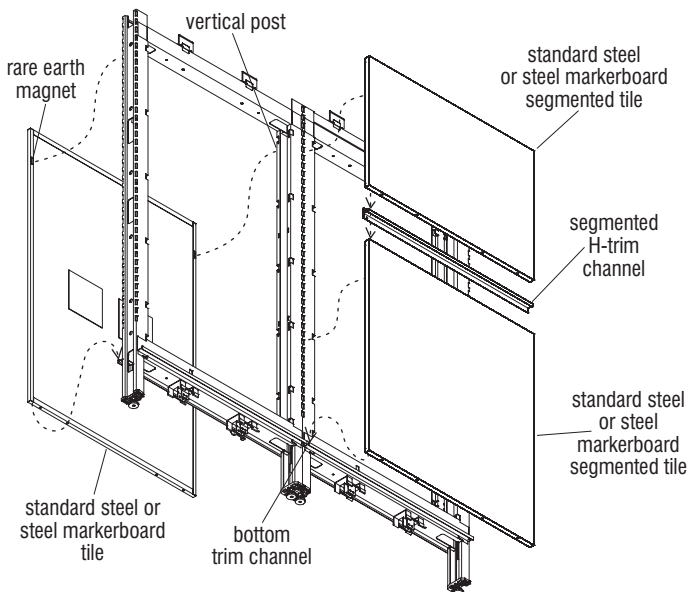
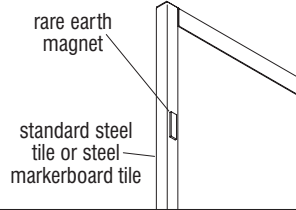


Figure 2 - Standard Steel Tile or Steel Markerboard Installation

WARNING: Rare earth magnets used with this product.



Detail A



Assemble units as described herein only. To do otherwise may result in instability. All screws, nuts and bolts must be tightened securely and must be checked periodically after assembly. Failure to assemble properly, or to secure parts may result in assembly failure and personal injury.

CAUTION

Steel Tile and Steel Markerboard Tile Installation

Note: Assembly of all standard steel and steel markerboard tiles are different than standard fabric tiles. Instead of brackets and tabs like Unite fabric tiles, steel tiles have two pre-assembled magnets located on the back of the tile. Steps to assemble steel tiles remain similar to standard fabric tiles and require no tools.

1. At the bottom of the panel frame where a steel tile will rest, install a "bottom trim channel" to the "vertical posts". Position the bottom trim channel as illustrated. Hook the top lip into the vertical posts. Push trim channel down into the slots to secure (Figure 1).
2. Hold the tile up, then center and nest the bottom of the tile into the bottom trim channel. Push the top of the tile against the frame. Magnets will hold the tile against the frame (Figure 2 & Detail A).
3. If a panel has steel segmented tiles, install a segmented H-shape trim channel such that the wide flange of the channel is behind the tile as illustrated. Install segmented tiles from the bottom up (Figure 2).

Note: Unite tiles do not hang from the frame. Support of tiles is provided by the bottom trim channel or the segmented H-trim channel. Magnets simply keep the tile from tipping away from the frame until the top cap is installed providing final tile retention.