

Assembly Instructions

Unite® Panel System

Hinge Door

July 2016

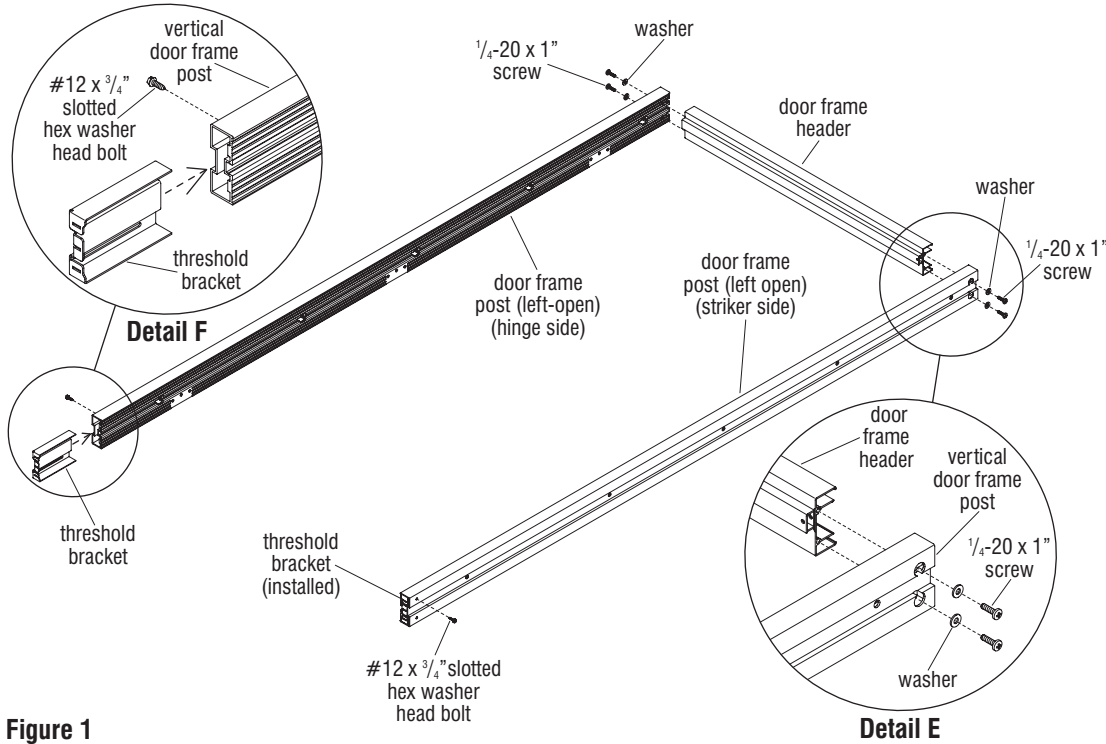
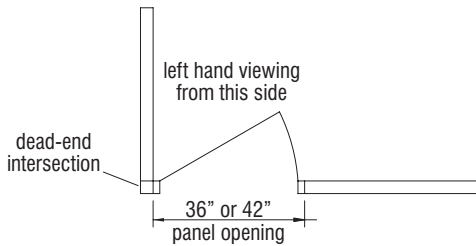
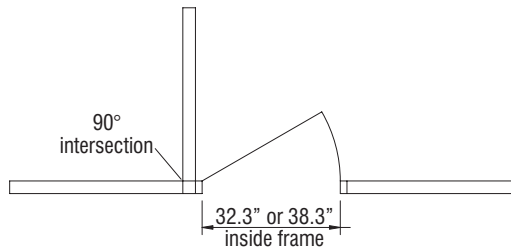


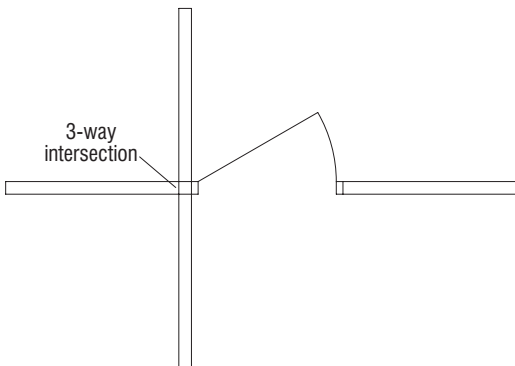
Figure 1



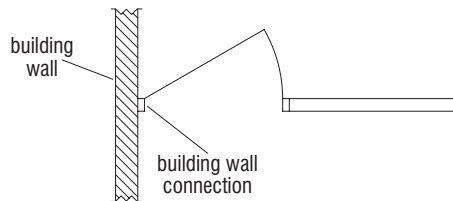
Detail A - Dead-End Intersection



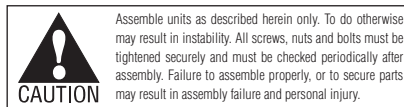
Detail B - 90° Intersection



Detail C - 3-Way Intersection



Detail D - Building Wall Intersection



Assemble units as described herein only. To do otherwise may result in instability. All screws, nuts and bolts must be tightened securely and must be checked periodically after assembly. Failure to assemble properly, or to secure parts may result in assembly failure and personal injury.

Hinge Door Overview

The hinge door is available in 36" and 42" widths which is the nominal distance between panel frames. The height is designed to work with standard Unite panels with a maximum panel height of 80". With header, this leaves an open height of 78³/₄". Unite panels require a stacker to configure 80" high panels.

Tools Required

- ⁹/₁₆" deep well socket drive (mounting bolts)
- T30 Torx drive bit (frame assembly)
- #2 Phillip drive bit (hinge assembly)
- Soft rubber mallet (trim assembly)
- ⁵/₁₆" socket drive (threshold bracket)

Door Frame Assembly

Note: The following instructions illustrate a "left-opening" door attached to a "dead-end intersection" (see Detail A). Your configuration may vary (Details B, C, or D).

1. Identify the striker-side and hinge-side door posts, then lay door posts and door frame header out on a soft protective surface as illustrated. Position header as shown between the tops of the posts (holes drilled for header) and secure with two 1/4-20 x 1" thread cutting screws and washers at each side (Figure 1 & Detail E).

Note: Threshold brackets must be installed and secured at this stage, to prepare for optional door threshold which may be specified at this time, or later if required due to door frame not stable at the bottom.

2. Slide threshold brackets all of the way into the bottom of each door frame post as shown. Using one #12 x 3/4" slotted hex washer head bolt at the outside of each door frame post secure threshold bracket into each door post (Figure 1 & Detail F).

Caution: Careful handling of the assembled frame is required to prevent twisting and bending which may cause damage.

Unite® Panel System - Hinge Door

Assembly Instructions



Assemble units as described herein only. To do otherwise may result in instability. All screws, nuts and bolts must be tightened securely and must be checked periodically after assembly. Failure to assemble properly, or to secure parts may result in assembly failure and personal injury.

Door Frame Installation

3. Prior to installation of door frame assembly, remove tiles and stacker posts from panel frames adjacent to door frame location. Set tiles and any removed stacker posts aside until reassembly at a later time (Figure 2).
4. Ensure that the door frame opening between panel frames is exactly 36" or 42" wide (depending on model). Adjust if necessary for correct fit (Figure 2).
5. Ensure that all intersection connector blocks are installed, then snap a plastic light shield to connector blocks (Figure 2).

Caution: Careful handling of the assembled frame is required to prevent twisting and bending which may cause damage.

6. Carefully lift and set the door frame assembly into position between panel frames (Figure 2).

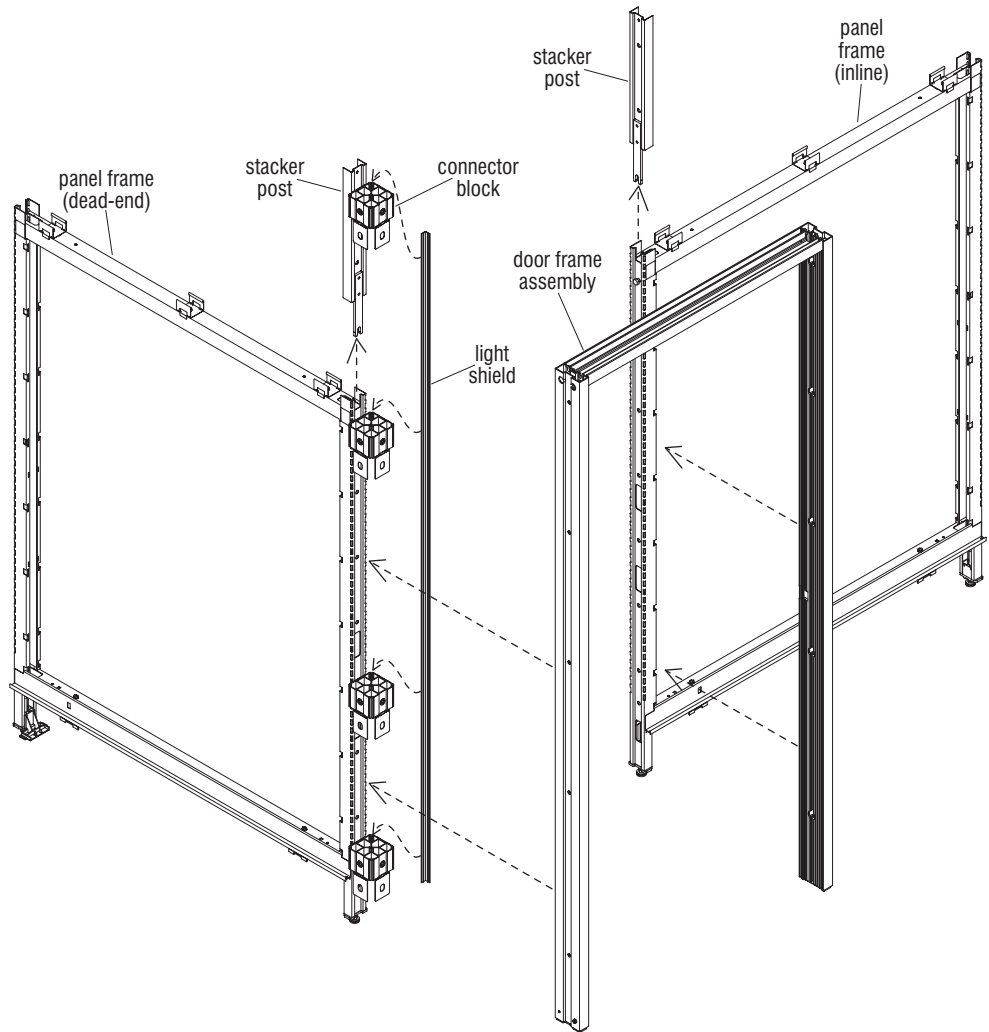


Figure 2



Assemble units as described herein only. To do otherwise may result in instability. All screws, nuts and bolts must be tightened securely and must be checked periodically after assembly. Failure to assemble properly, or to secure parts may result in assembly failure and personal injury.

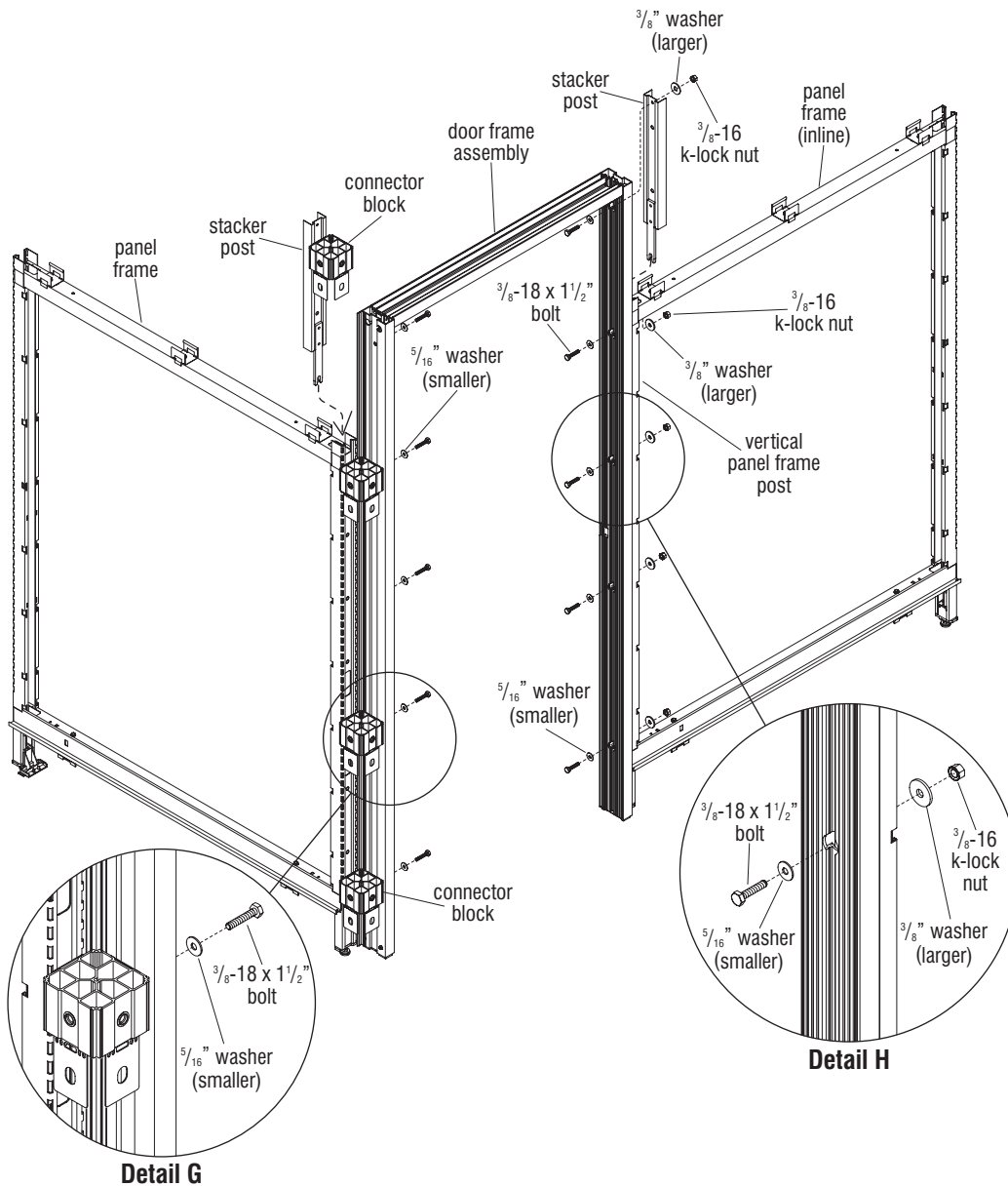


Figure 3

7. Begin assembly of the door frame to panel frame assemblies by first placing a $\frac{5}{16}$ " (smaller) washer onto each $\frac{3}{8}$ -18 x $1\frac{1}{2}$ " bolt as illustrated. All bolts install from inside the door frame, and the smaller washers fit through the inside access hole (Figure 3, Details G & H).
8. Next, at the connector block side of the door frame, insert the bolts with washers through the vertical frame and into the connector blocks and tighten. At the door frame side which attaches to a panel frame, insert bolts with small washers through the inside of the door frame and through the vertical panel frame post, then place a $\frac{3}{8}$ " (larger) washer onto the exposed bolt and secure using a $\frac{3}{8}$ -16 k-lock nut as illustrated (Figure 3, Details G & H).
9. Re-insert stacker posts back into slot at end of panel frames and ensure that the top of both stacker posts is fastened to top of door frame with $\frac{3}{8}$ -18 x $1\frac{1}{2}$ " bolts and $\frac{5}{16}$ " (smaller) washers (Figure 3).

Unite® Panel System - Hinge Door

Assembly Instructions



Assemble units as described herein only. To do otherwise may result in instability. All screws, nuts and bolts must be tightened securely and must be checked periodically after assembly. Failure to assemble properly, or to secure parts may result in assembly failure and personal injury.

10. Install three frame-side hinge plates (with two pin sleeves - Detail I) using #10-32 x 1" Phillips flat head thread-cutting screws provided. Be sure to secure screws tight into frame, but take care to not strip the threads (Figure 4 & Detail I).
 11. Position latch plate to other side of door frame as illustrated, correct to door swing and install with two #10-32 x 1" Phillips flat head-thread cutting screws (Figure 4 & Detail J).
- Note:** It is recommended to install thread cutting screws using drill driver and #2 Phillips drive bit.
12. All tiles and stacker panels may now be re-installed prior to door installation for more easy tile assembly.

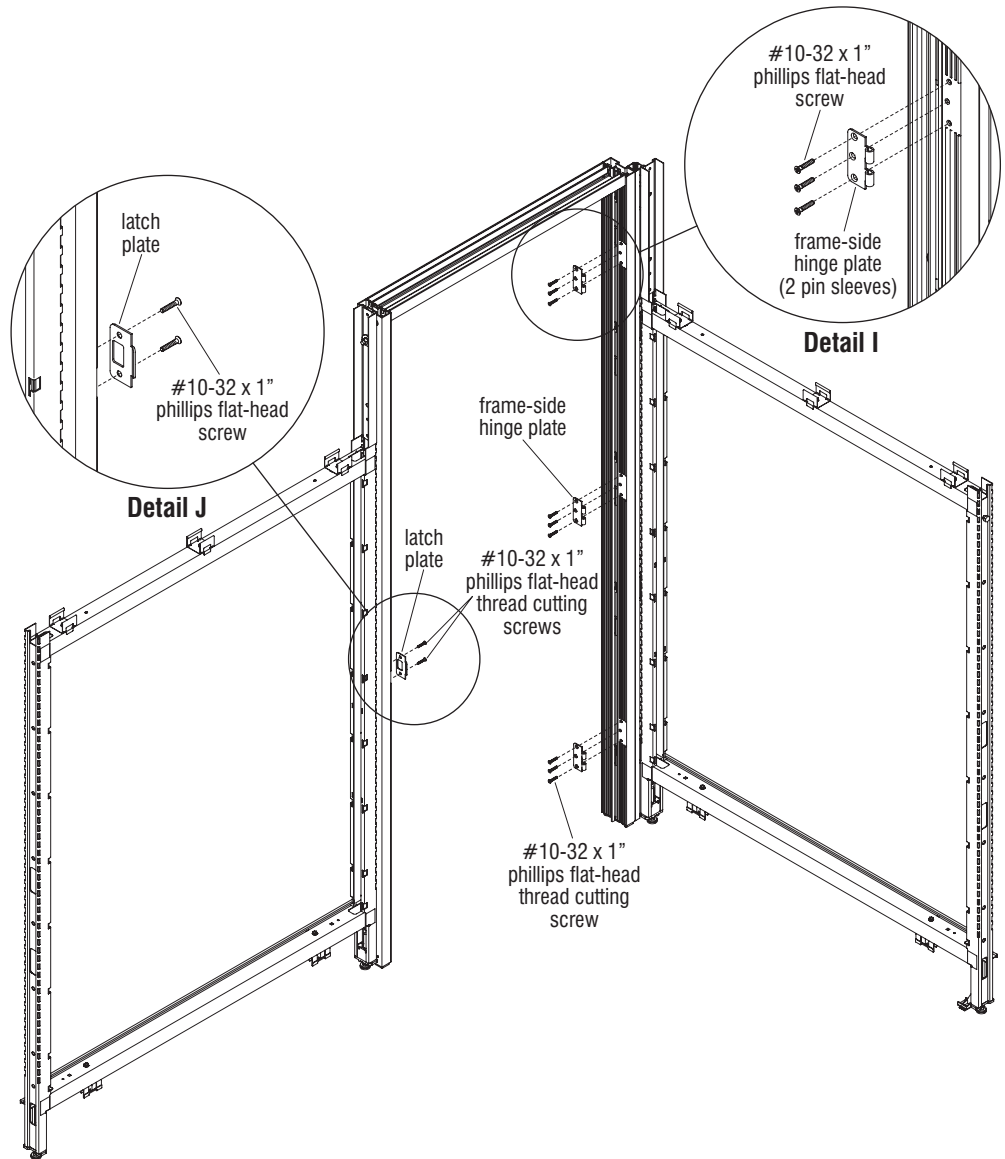


Figure 4



Assemble units as described herein only. To do otherwise may result in instability. All screws, nuts and bolts must be tightened securely and must be checked periodically after assembly. Failure to assemble properly, or to secure parts may result in assembly failure and personal injury.

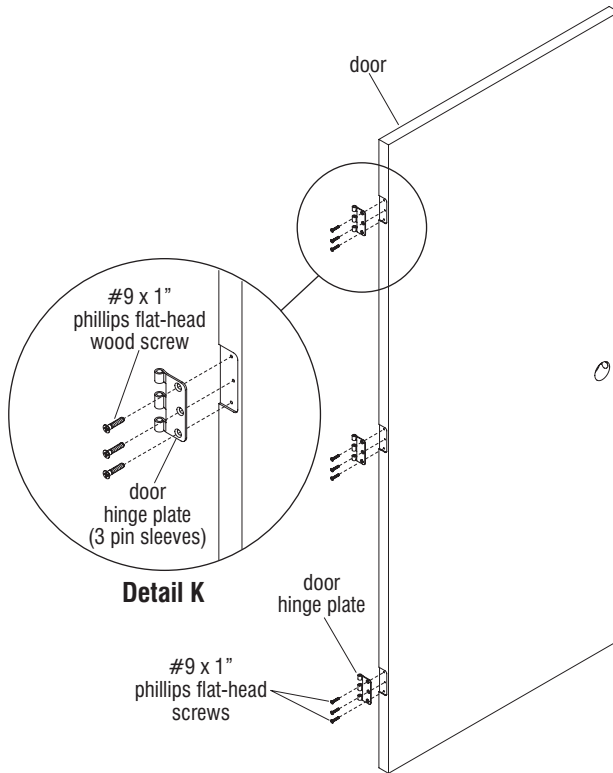


Figure 5

13. Install three door hinge plates (with three pin sleeves - Detail K) into pockets of door edge as illustrated using #9 x 1" flat-head wood screws. Do not over-tighten which may strip wood out (Figure 5 & Detail K).

■ Unite® Panel System - Hinge Door
Assembly Instructions



Assemble units as described herein only. To do otherwise may result in instability. All screws, nuts and bolts must be tightened securely and must be checked periodically after assembly. Failure to assemble properly, or to secure parts may result in assembly failure and personal injury.

- Carefully place door inside of the room to receive it. Lift door into position and interlock the door hinge pin sleeves with the frame hinge pin sleeves. Install hinge pins into each interlocked hinge from the top down as illustrated (Figure 6 & Detail L).

Note: If only one person is installing door, a shim can be used under the door to help support the door while inter-locking hinges and installing the hinge pins.

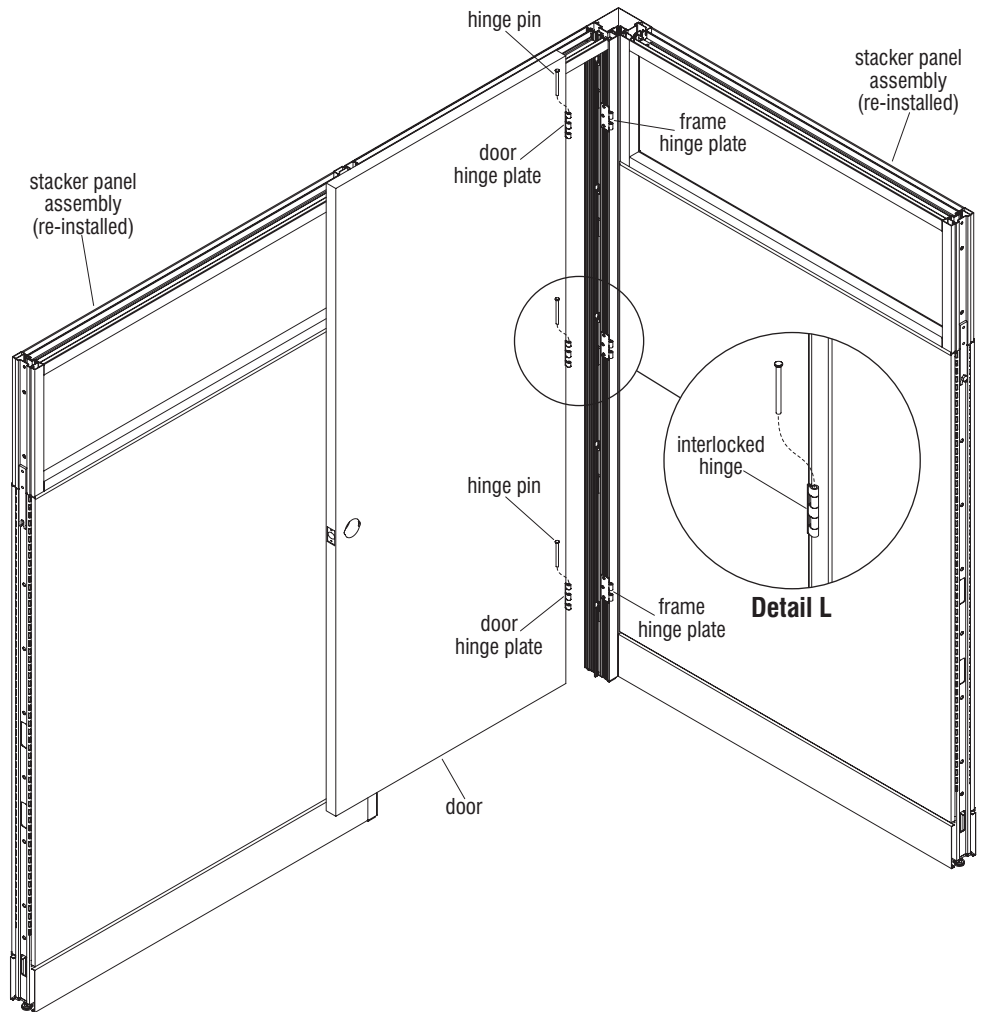
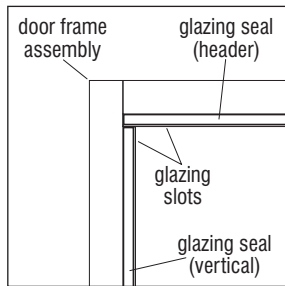


Figure 6



Assemble units as described herein only. To do otherwise may result in instability. All screws, nuts and bolts must be tightened securely and must be checked periodically after assembly. Failure to assemble properly, or to secure parts may result in assembly failure and personal injury.

15. Locate and identify both the hinge-side, and the latch-side vertical trim (Figure 7). Position glazing clips evenly and press them onto the vertical trim rib of both vertical trim pieces as illustrated (Figure 7 & Detail M).



Detail O - Side View

Note: It is important to attach the glazing clips to the vertical trim rib (as illustrated), rather than into the door frame channel for ease of installation.

16. One at a time, position vertical trim up to the appropriate side at the interior of the door frame. Take care to space hinge and door latch openings of trim evenly around

installed hinges and latch plate. Using a soft rubber mallet, gently tap trim firmly to snap into place. Trim should sit flush at all edges when installed properly (Figure 7).

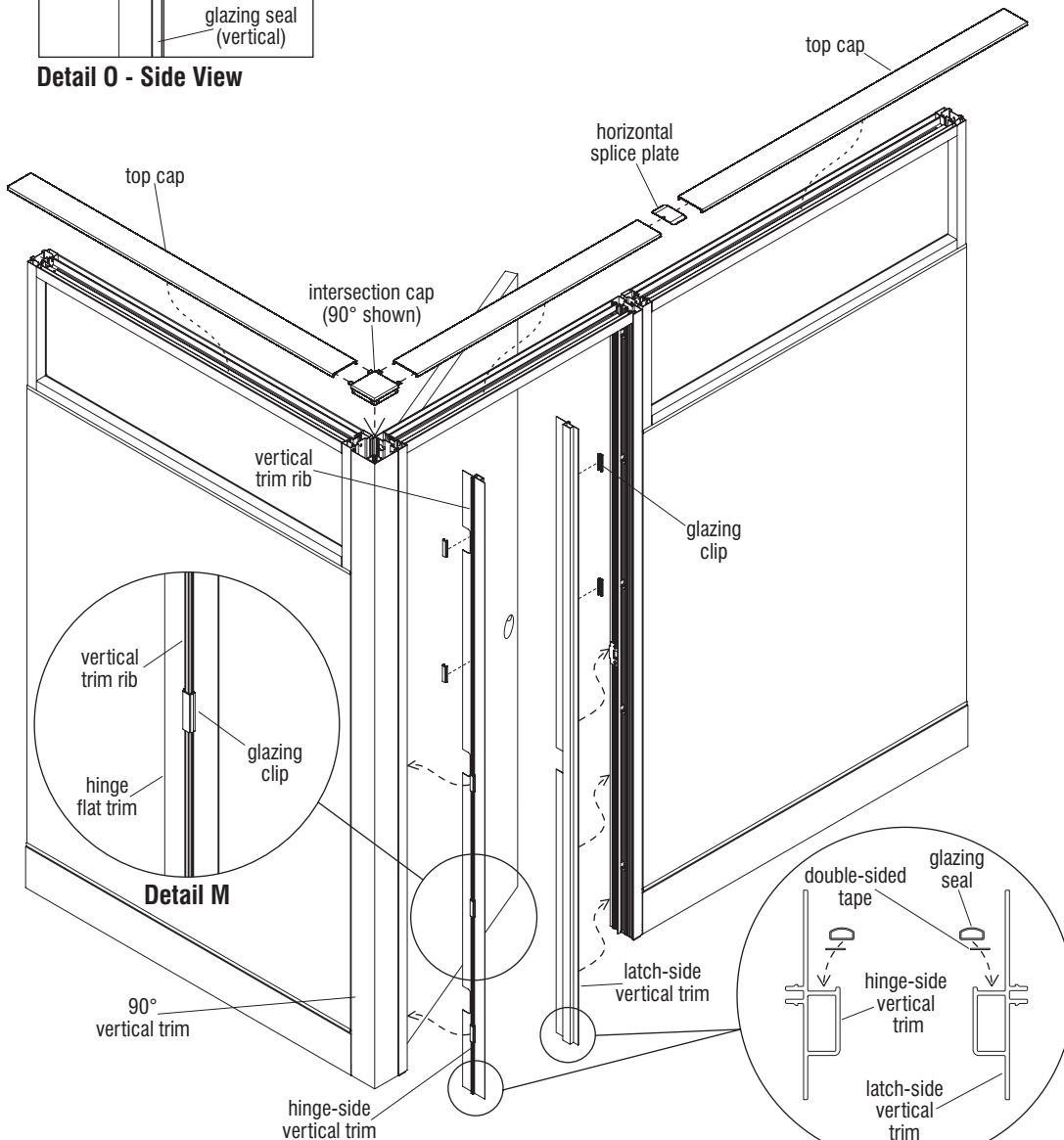
17. The previously removed top caps, horizontal splice plates, intersection caps and 90° vertical trim may now be re-installed (Figure 7).

18. The door glazing seal must be installed around the perimeter of the door frame, into the glazing slot in both vertical trim, as well as the header. Double-sided clear tape (provided in a 20' long roll) is used to adhere the glazing seal in place. Two pieces of glazing seal are provided at 120" in length and must be cut to fit. The D-shaped glazing seal has a flat, hard side and a softer bulb side. The flat side is designed to fasten to the double-sided tape and fit into the glazing slot (Detail N).

19. Unroll the double-sided tape as you go. Carefully press the sticky side of the tape into the glazing slot along the top horizontal header, as well as the two vertical trim glazing slots at the side of the door frame. Cut to fit at the ends (Figure 7 & Detail N).

Note: The glazing seal must be cut to size and applied to the header first, then to the vertical trim, such that the header seal crosses over the top of the vertical trim seals at the sides (Detail O).

20. To install glazing, cut a length of glazing seal to $33\frac{1}{4}$ " (for 36" wide door), or $39\frac{1}{4}$ " (for 42" wide doors). Peel the backer off the installed double-sided tape and install the glazing seal to the horizontal header first. The glazing seal for vertical trim on each side must be cut to $78\frac{1}{8}$ " and installed in the same way. Take care to make sure no gaps are left and that the seal is seated firmly into the glazing slot and secured to the double-sided tape (Figure 7 & Details N & O).



Detail M

Detail N - Top View

Figure 7

■ Unite® Panel System - Hinge Door
Assembly Instructions



Assemble units as described herein only. To do otherwise may result in instability. All screws, nuts and bolts must be tightened securely and must be checked periodically after assembly. Failure to assemble properly, or to secure parts may result in assembly failure and personal injury.

21. Instructions for door handle installation should be located inside the handle kit. Two types of handles are available: (1) Passage and (2) Key Lock. If key entry is used, determine which side the key should be located (typically the outside) and install appropriately according to instructions (Figure 8).

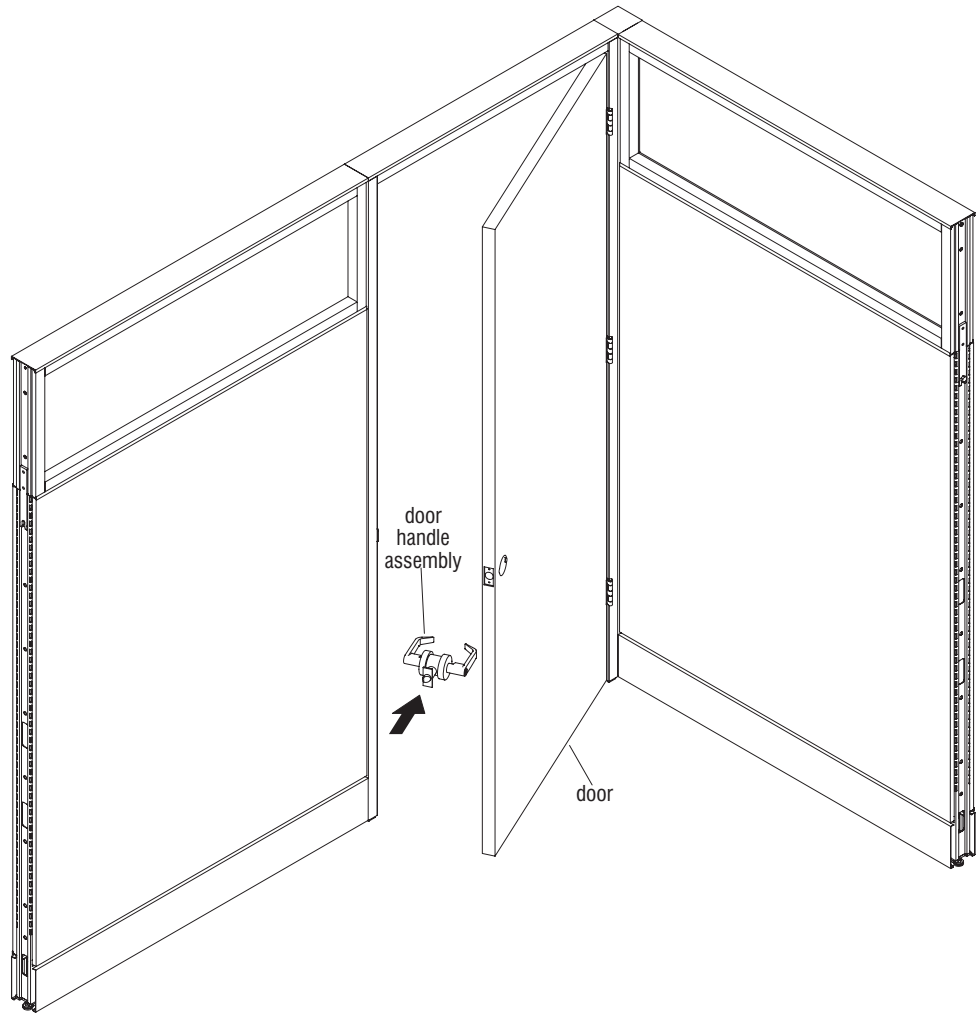


Figure 8



Assemble units as described herein only. To do otherwise may result in instability. All screws, nuts and bolts must be tightened securely and must be checked periodically after assembly. Failure to assemble properly, or to secure parts may result in assembly failure and personal injury.

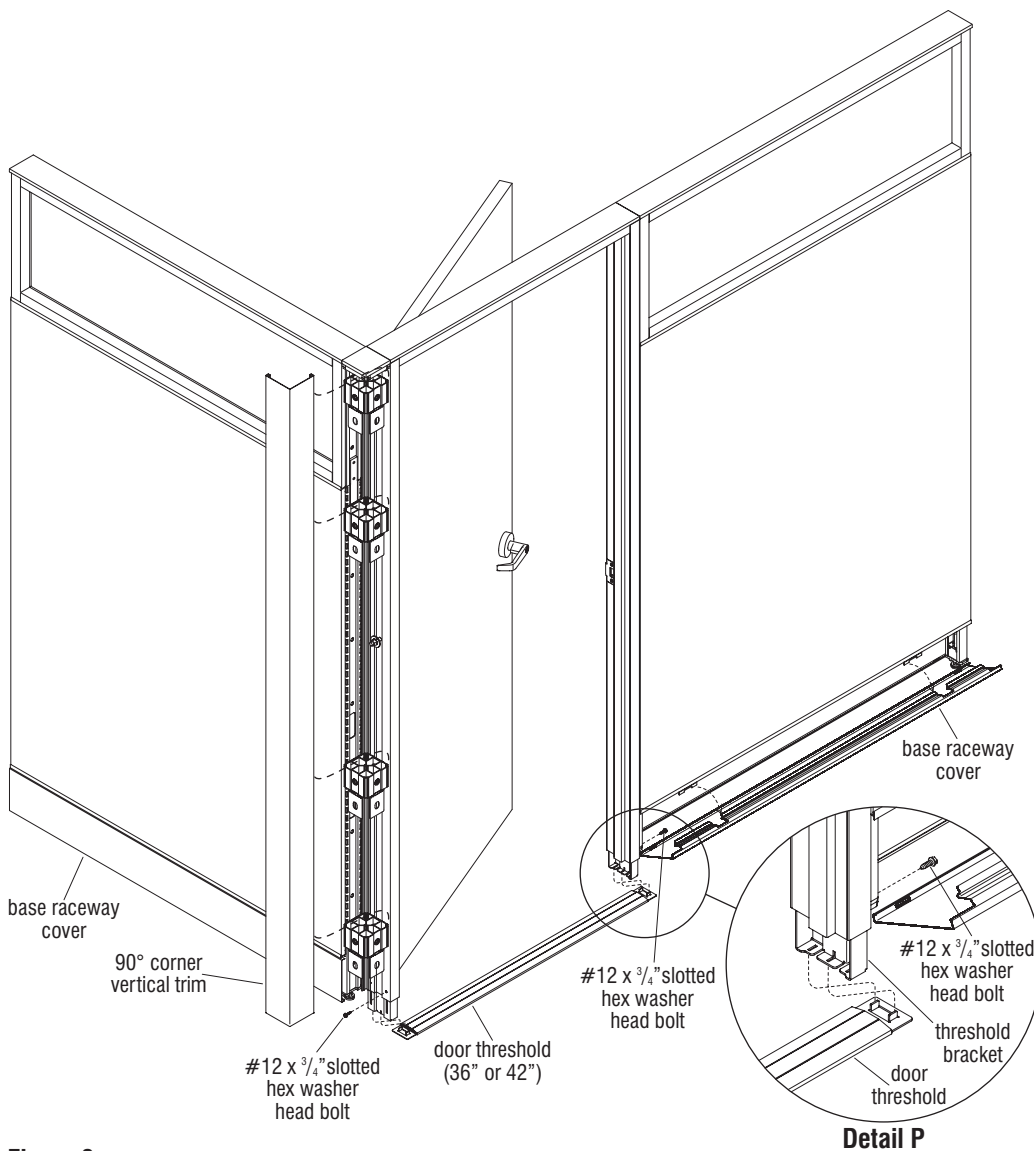


Figure 9

Accessory Threshold Installation

Note: Door threshold kits (36" and 42") are sold separately. If system panels are insufficiently constrained, the door frame may spread open at the bottom. This could cause uneven door alignment and impair the function of the door latch. Installed doorway thresholds are designed to maintain the proper door width at the bottom of the door frame.

22. Begin threshold installation by first removing the 90° corner vertical trim from the hinge side, then flip open the base raceway cover from the panel frame adjacent to the latch side (Figure 9).
23. Locate the previously installed threshold brackets at the bottom of the vertical frame posts (see Figure 1) and remove retaining screw (#12 x 3/4" slotted hex washer head bolt) at each threshold bracket (Figure 9).
24. Position the threshold as illustrated at the hallway side. Using a screwdriver to assist, lift each threshold bracket while sliding the threshold into position under the brackets. Three slots are in each threshold bracket, but two are used to help align the threshold to one or the other side of the door frame, depending on door closed location. Position the threshold so it is centered under the closed door location, then allow each threshold bracket to slide down so the slots drop down over the two tabs at the end of the threshold to align it (Figure 9 & Detail P).
25. After both threshold brackets have dropped down and nested over the tabs on each end, insert and re-tighten the #12 x 3/4" slotted hex washer head thread-cutting screw into the hole on backside of each vertical door frame post to lock the threshold in place (Figure 9 & Detail P).

■ **Unite® Panel System - Hinge Door**
Assembly Instructions



Assemble units as described herein only. To do otherwise may result in instability. All screws, nuts and bolts must be tightened securely and must be checked periodically after assembly. Failure to assemble properly, or to secure parts may result in assembly failure and personal injury.