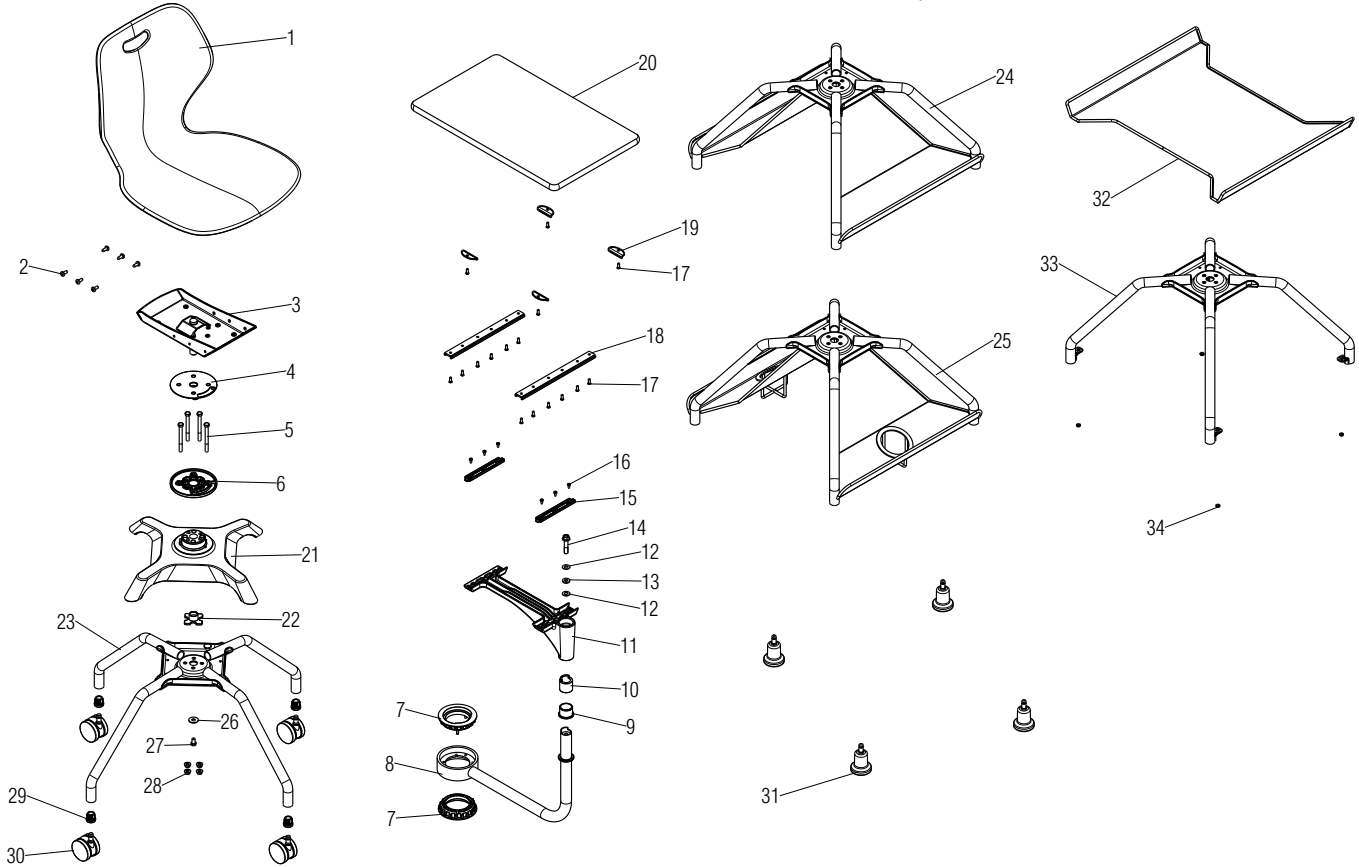


Parts Diagram

Learn2™ Classroom Furniture

Intellect Wave® Seating Armless Chair with Laminate Worksurface
With and Without Accessories

January 2015



.XX = Select Color

Item	Part Number	Item Description	Qty	Item	Part Number	Item Description	Qty
1	46.9104.XX	Shell, 18" (Large) Chair	1	19	44.0044	Bracket, Wood Tablet Slide Rail Stop	4
2	12.0074.P	Screw, 1/4-20 x 5/8 TCPH	6	20	T15P.LXX	Tablet, Laminate with Lacquer Edge	1
3	47.1023.XX	Weldment, Wave Learn2	1	21	47.1001.BL	Casting, 4-Leg Frame	1
4	47.1035	Bushing, Seat Swivel/Bumper	1	22	47.1009	Bushing, Seat Swivel	1
5	12.2205	Screw, 5/16-18 x 3.25 LG	4	23	47.1014.XX	Weldment, 4-Leg Frame	1
6	47.1002.BL	Casting, Upper Bearing Mount	1	24	47.1014.BK.XX	Weldment, Chair Bookrack Frame	1
7	47.1010	Bushing, Rotate Around Seat	2	25	47.1014.CP.XX	Weldment, Chair Bookrack and Cup Holder Frame	1
8	47.1012.XX	Weldment, Tablet Arm Learn2	1	26	12.2206	Washer, 5/16 x 1.0 O.D.	1
9	47.1041.BL	Bushing, Bottom 2 Piece Arm Tube	1	27	12.2207	Bolt, 5/16-18 x 0.5 Hex Head	1
10	47.1038.BL	Bushing, Top 2 Piece Arm Tube	1	28	12.1154	Nut, 5/16-18 Flange Centerlock	4
11	47.1000.A.BL	Casting, Tablet Arm Gusset	1	29	46.0386.BL	Bushing, Caster	4
12	12.2200	Washer, 3/8 Hardened for Thrust Washer Stack Fastener	2	30	09.0440.BL	Bushing, Hard Floor, 60mm	4
13	12.2202	Washer, 3/8 Solid Bronze Thrust Fastener	1		09.0441.BL	Caster, Soft Floor	4
14	12.2204	Screw, 3/8 - 16 x 1.75 Hex Serrated Flange Head Machine Fastener	1	31	10.0150	Bell Glide	4
15	47.1007	Carriage, Tablet Arm Gusset	2	32	47.1042.XX	Weldment, Flat Bookrack	1
16	12.2203	Screw, #8-32 x 3/8 Tri-Lobe	6	33	47.1014.FB	Weldment, Flat Bookrack Chair Frame	1
17	46.0466	Screw, K-50 2.24 x 13mm, T-2	16	34	12.0023.TM	Nut, #10-24 Hex w/ Lock Washer	4
18	47.1003	Rail, Tablet Slide	2				

