

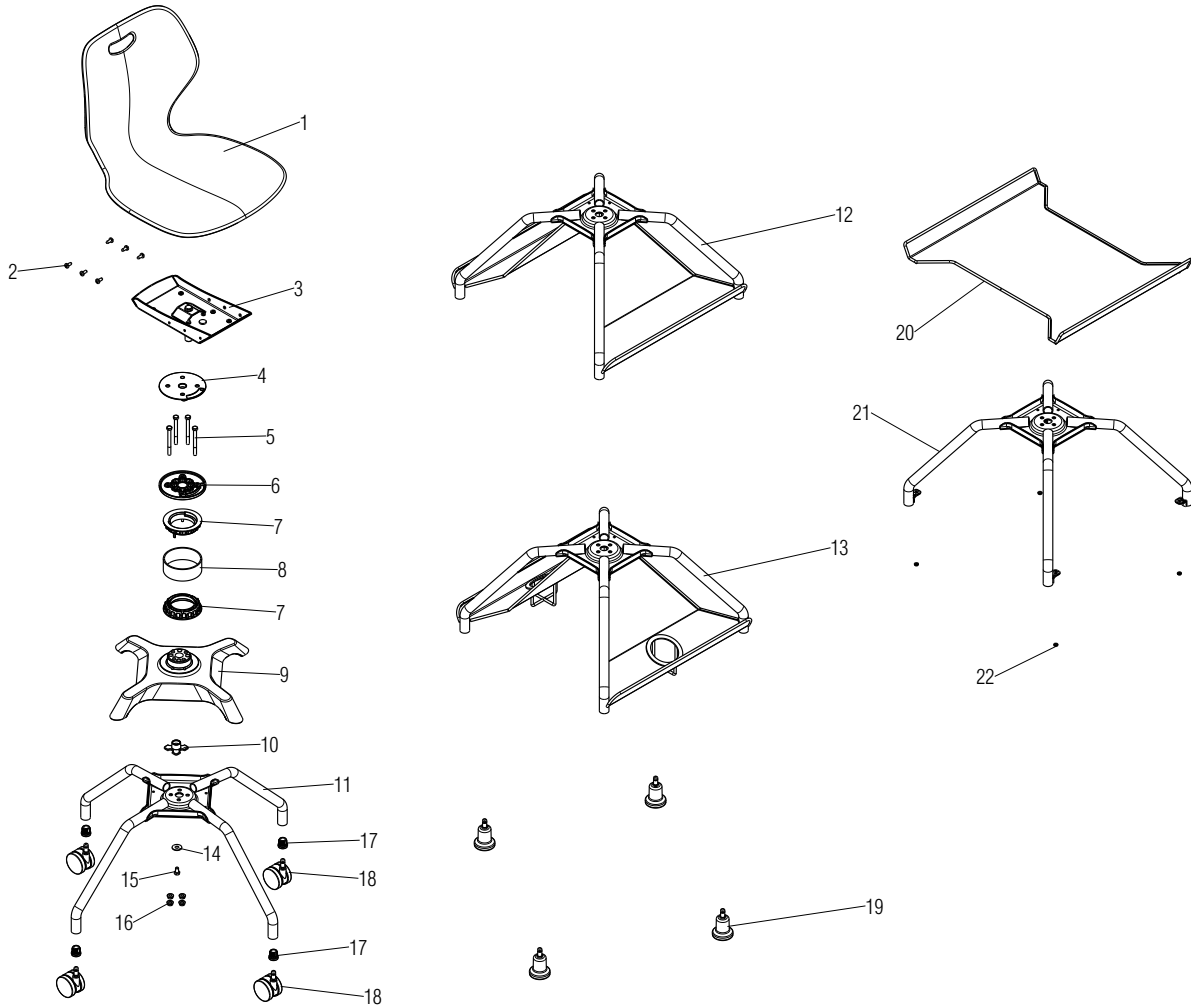
# Parts Diagram

Learn2™ Classroom Furniture

Intellect Wave® Seating Armless Chair

With and Without Accessories

August 2016



.XX = Select Color

Item	Part Number	Item Description	Qty	Item	Part Number	Item Description	Qty
1	46.9104.XX	Shell, 18" Large Chair	1	13	47.1014.CP.XX	Weldment, Chair Frame with Cup Holder Bookracks	1
2	12.0074.P	Screw, 1/4-20 x 5/8 6-LO PAN T/R BLK ZC w/ Patch	6	14	12.2206	Washer, 5/16 x 1 O.D.	1
3	47.1023.XX	Weldment, Wave Swivel Seat Base	1	15	12.2207	Bolt, 5/16-18 x 1/2 Hex Head w/ Patch	1
4	47.1035	Bushing, Seat Swivel with Spacer and Bumpers	1	16	12.1154	Nut, 5/16-18 Hex Flange Centerlock BLK ZC	4
5	12.2205	Screw, 5/16-18 x 3 1/4 Hex Head GR2 Machine	4	17	46.0386.BL	Bushing, 13 Gage Tube Caster	4
6	47.1002.BL	Casting, Upper Bearing Mount	1	18	09.0440.BL	Caster, 60mm Diameter Carpet	4
7	47.1010	Bushing, Tablet Arm Rotation Around Seat	2		09.0441.BL	Caster, 60mm Diameter Hard Floor	4
8	42.0001.XX	Tube, Tablet Hub	1	19	10.0150	Glide, Bell	4
9	47.1001.BL	Casting, 4-Leg Frame	1	20	47.1042.XX	Weldment, Flat Bookrack	1
10	47.1009	Bushing, Seat Swivel	1	21	47.1014.FB	Weldment, Flat Bookrack Chair Frame	1
11	47.1014.NR.XX	Weldment, Chair Frame	1	22	12.0023.TM	Nut, #10-24 Hex w/ Lock Washer	4
12	47.1014.BK.XX	Weldment, Chair Frame with Bookracks	1				

