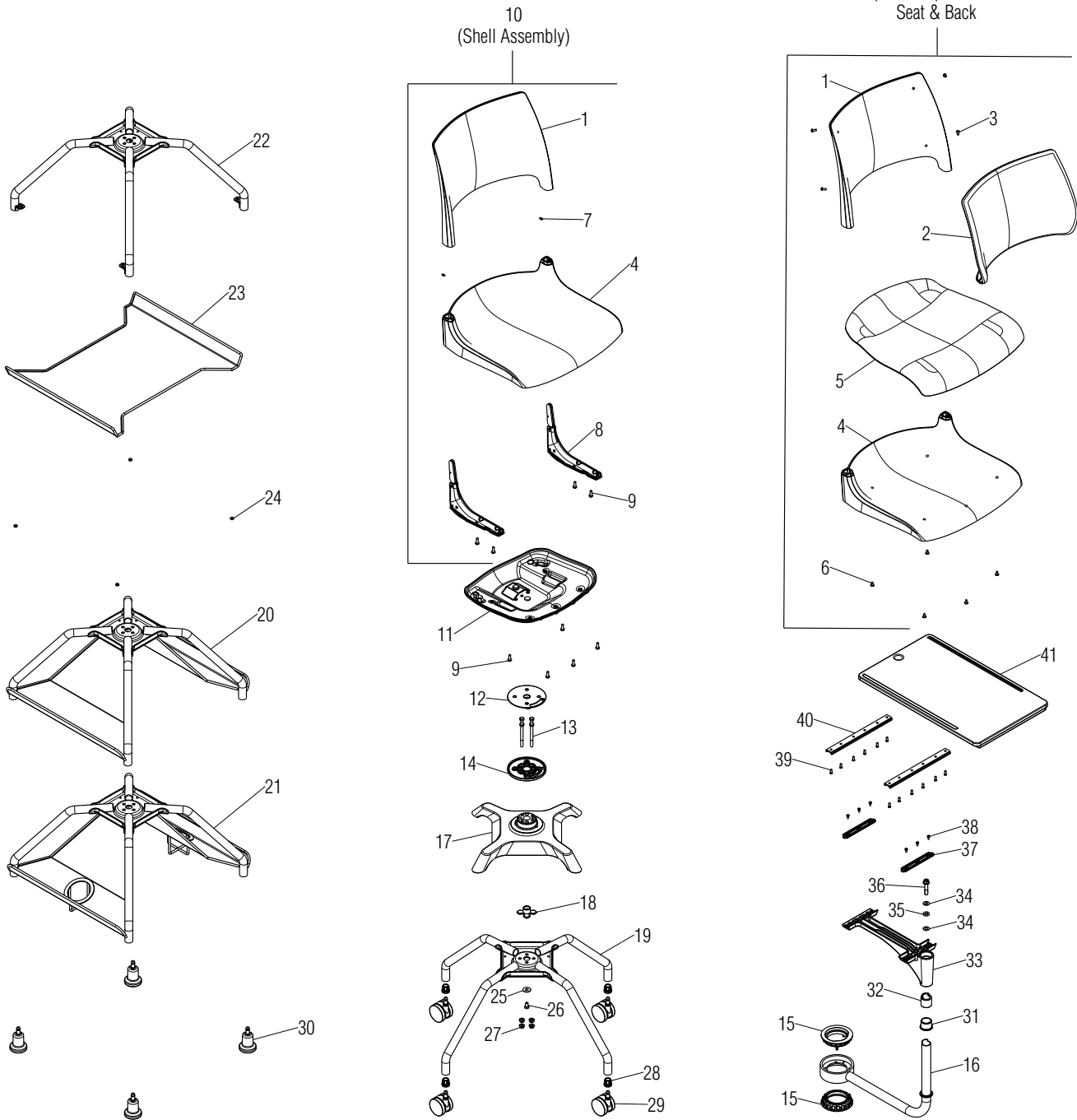


Parts Diagram

Learn2™ Classroom Furniture

Doni™ Seating Collection Armless Chair with Plastic Worksurface

August 2016



Learn2™ Classroom Furniture - Doni™ Seating Collection Armless Chair with Plastic Worksurface

Parts Diagram

.XX = Select Color

Item 10 includes:

Poly Seat & Back - Items 1, 4, 7, 8 and 9

Upholstered Seat - Items 1, 4, 5, 6, 7, 8 and 9

Upholstered Seat & Back - Items 1, 2, 3, 4, 5, 6, 7, 8 and 9

Item	Part Number	Item Description	Qty
1	4201.XX	Backrest, Chair (Poly Back Only)	1
	4201.U.XX	Backrest, Chair with Liner (Upholstered Back Only)	1
2	DNRBC.XX	Cushion, Backrest (Upholstered Back Only)	1
3	12.0110.XX	Screw, 10-24 x 1/2" PTH (Upholstered Back Only)	4
4	4200.XX	Seat, Chair (Poly Seat Only)	1
	4200.U.XX	Seat, Chair with Liner (Upholstered Seat Only)	1
5	DNRSC.XX	Cushion, Seat (Upholstered Seat Only)	1
6	12.0055.CZ	Screw, #10-16 x 1/2" PTH Type AB T/F ZC (Upholstered Seat Only)	5
7	46.4230	Set Screw, M5 x 0.8 x 10 Hex Socket	2
8	46.4202	Assembly, Backrest Support Mechanism	2
9	12.0011	Screw, M6 x 18 PPH BosScrew	9
10	4225.XX	Assembly, Seat, Back & Mechanism	1
	4225.U.XX	Assembly, Seat, Back & Mechanism w/ Upholstered Seat	1
	4225.B.XX	Assembly, Seat, Back & Mechanism w/ Upholstered Seat & Back	1
11	46.4244	Weldment, Doni Seat Support	1
12	47.1035	Bushing, Seat Swivel with Spacer and Bumpers	1
13	12.2205	Screw, 5/16-18 x 3 1/4 Hex Head GR2 Machine	4
14	47.1002.BL	Casting, Upper Bearing Mount	1
15	47.1010	Bushing, Tablet Arm Rotation Around Seat	2
16	42.1012.XX	Weldment, Tablet Arm	1
17	47.1001.BL	Casting, 4-Leg Frame	1
18	47.1009	Bushing, Seat Swivel	1
19	47.1014.NR.XX	Weldment, Chair Frame	1
20	47.1014.BK.XX	Weldment, Chair Frame with Bookracks	1
21	47.1014.CP.XX	Weldment, Chair Frame with Cup Holder Bookracks	1
22	47.1014.FB	Weldment, Flat Bookrack Chair Frame	1
23	47.1042.XX	Weldment, Flat Bookrack	1
24	12.0023.TM	Nut, #10-24 Hex w/ Lock Washer	4
25	12.2206	Washer, 5/16 x 1 O.D.	1
26	12.2207	Bolt, 5/16-18 x 1/2 Hex Head w/ Patch	1
27	12.1154	Nut, 5/16-18 Hex Flange Centerlock BLK ZC	4
28	46.0386.BL	Bushing, 13 Gage Tube Caster	4
29	09.0440.BL	Caster, 60mm Diameter Carpet	4
	09.0441.BL	Caster, 60mm Diameter Hard Floor	4
30	10.0150	Glide, Bell	1
31	47.1041.BL	Bushing, Bottom 2 Piece Arm Tube	1
32	47.1038.BL	Bushing, Top 2 Piece Arm Tube	1
33	47.1000.A.BL	Casting, Tall Tablet Arm Gusset	1
34	12.2200	Washer, 3/8 Hardened for Thrust Washer Stack	2
35	12.2202	Washer, 3/8 Solid Bronze Thrust	1
36	12.2204	Screw, 3/8-16 x 1 3/4 Hex Serrated Flange Head Machine	1
37	47.1007	Carriage, Tablet Belly Room Overmolded Slide	2
38	12.2203	Screw, #8-32 x 3/8 Torx PH Tri-Lobe T/F CLR ZINC	6
39	46.0466	Screw, K-50 2.24 x 13mm	12
40	47.1003	Rail, Tablet Slide	2
41	47.1026.XX	Assembly, Plastic Tablet Board	1

