

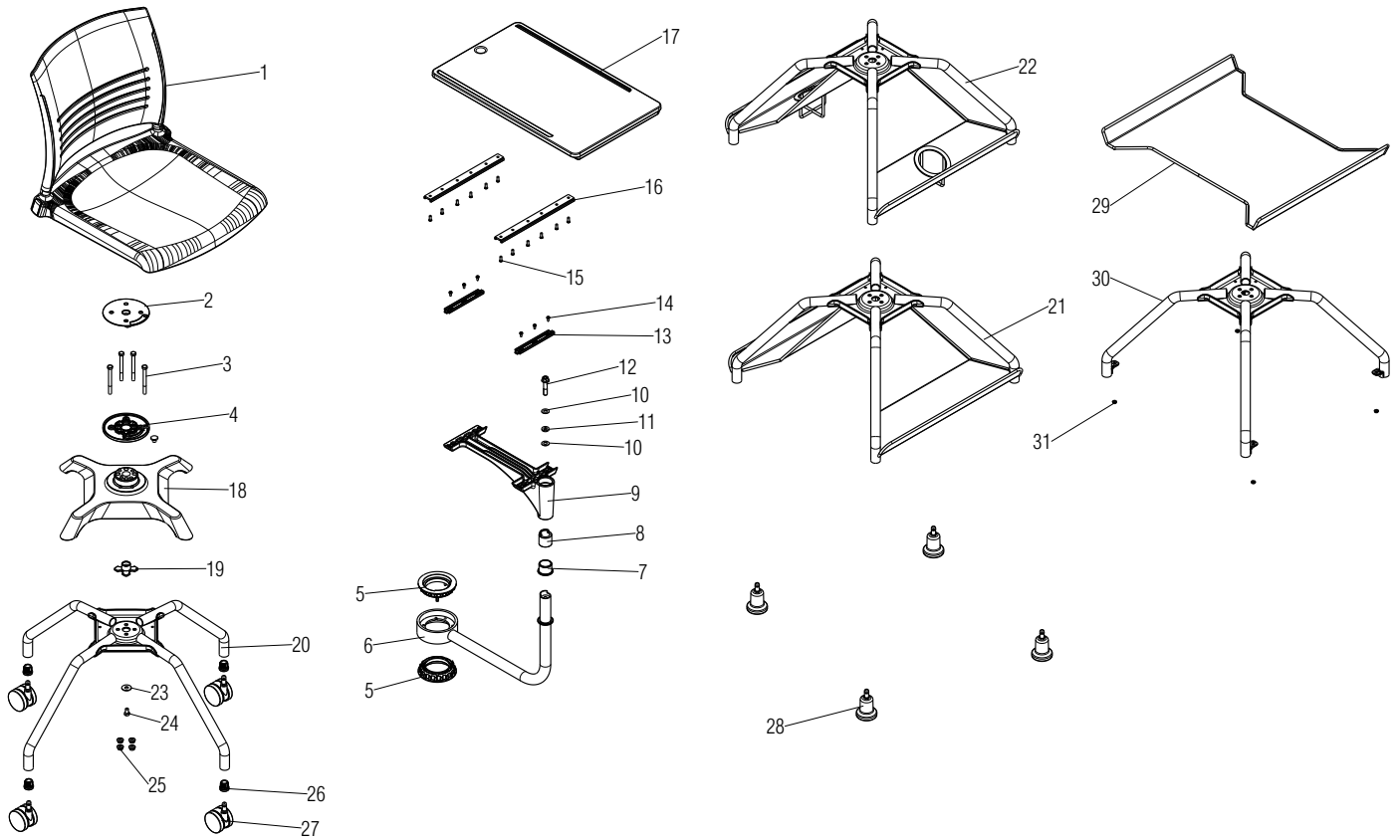
Parts Diagram

Learn2™ Classroom Furniture

Strive® Seating Armless Chair with Plastic Worksurface

With and Without Accessories

September 2016



.XX = Select Color

Item	Part Number	Item Description	Qty	Item	Part Number	Item Description	Qty
1	2SRS	Strive Pressure Fit Chair	1	17	47.1026.XX	Assembly, Plastic Tablet Board	1
2	47.1035	Bushing, Seat Swivel with Spacer and Bumpers	1	18	47.1001.BL	Casting, 4-Leg Frame	1
3	12.2205	Screw, 5/16-18 x 3 1/4 Hex Head GR2 Machine	4	19	47.1009	Bushing, Seat Swivel	1
4	27.1002.BL	Casting, Upper Bearing Mount	1	20	47.1014.NR.XX	Weldment, Chair Frame	1
5	47.1010	Bushing, Tablet Arm Rotation Around Seat	2	21	47.1014.BK.XX	Weldment, Chair Frame with Bookrack	1
6	47.1012.XX	Weldment, Tablet Arm	1	22	47.1014.CP.XX	Weldment, Chair Frame with Cup Holder Bookracks	1
7	47.1041.BL	Bushing, Bottom 2 Piece Arm Tube	1	23	12.2206	Washer, 5/16 x 1 O.D.	1
8	47.1038.BL	Bushing, Top 2 Piece Arm Tube	1	24	12.2207	Bolt, 5/16-18 x 1/2 Hex Head w/ Patch	1
9	47.1000.A.BL	Casting, Tall Tablet Arm Gusset	1	25	12.1154	Nut, 5/16-18 Hex Flange Centerlock BLK ZC	4
10	12.2200	Washer, 3/8 Hardened for Thrust Washer Stack	2	26	46.0386.BL	Bushing, 13 Gage Tube Caster	4
11	12.2202	Washer, 3/8 Solid Bronze Thrust	1	27	09.0440.BL	Caster, 60mm Diameter Carpet	4
12	12.2204	Screw, 3/8-16 x 1 3/4 Hex Serrated Flange Head Machine	1		09.0441.BL	Caster, 60mm Diameter Hard Floor	4
13	47.1007	Carriage, Tablet Belly Room Overmolded Slide	2	28	10.0150	Glide, Bell	4
14	12.2203	Screw, #8-32 x 3/8 Torx PH Tri-Lobe T/F CLR ZINC	6	29	47.1042.XX	Weldment, Flat Bookrack	1
15	46.0466	Screw, K-50 2.24 x 13mm	12	30	47.1014.FB	Weldment, Flat Bookrack Chair Frame	1
16	47.1003	Rail, Tablet Slide	2	31	12.0023.TM	Nut, #10-24 Hex w/ Lock Washer	4

