

Installation Instructions ■

Wall Mount Cabinet

March 2012

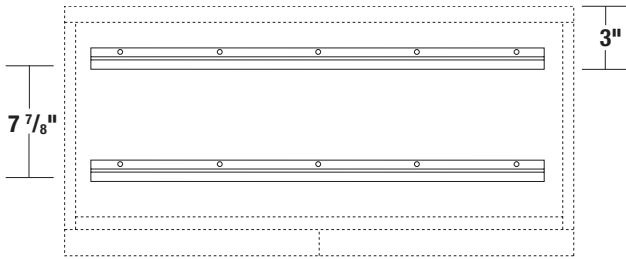
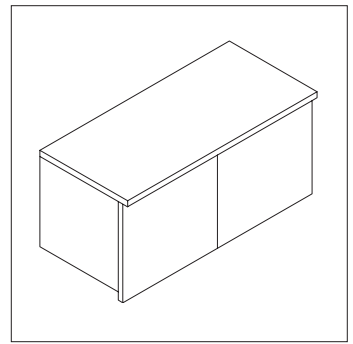


Figure 1

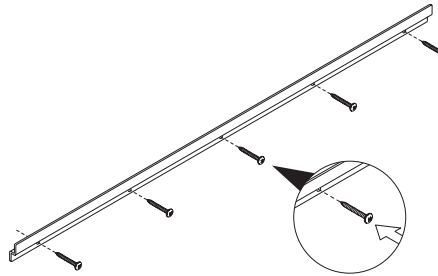


Figure 2

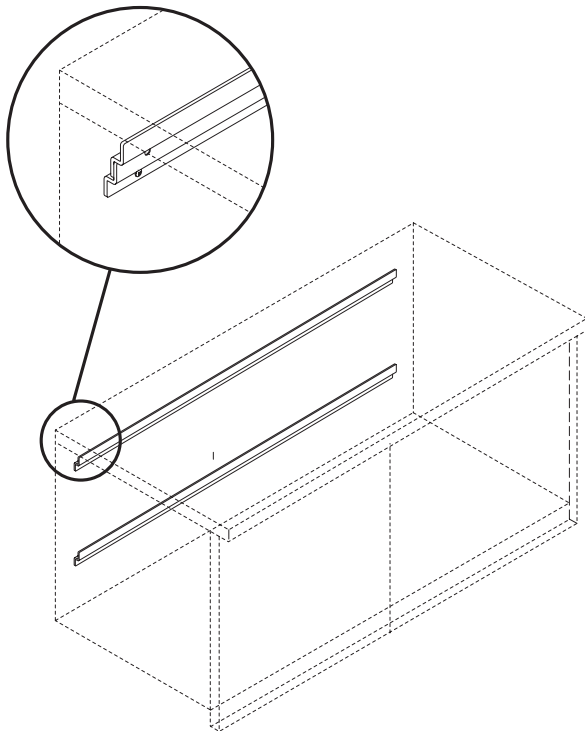
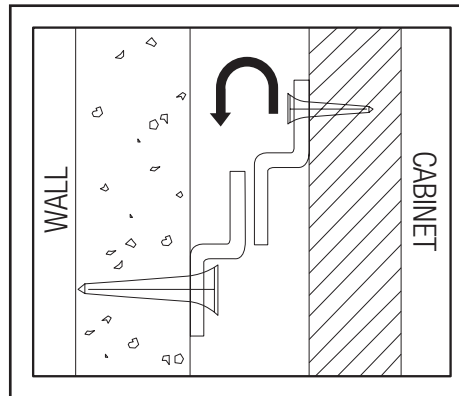


Figure 3



Detail A

Contents:

- (2) Z-Brackets
- (10) Wall Anchors
- (10) #10 x 2" screws

1. Remove contents from packaging. Examine the parts and review the assembly instructions below before beginning the installation process.
2. Determine the location and height which the top of the overhead cabinet will be installed to the wall. About 3" down from the top of the desired cabinet height, use a three foot spirit level and position one Z-Bracket onto the wall, holding it level. Using a pencil, mark all five mounting hole locations of the Z-Bracket (Figure 1).
3. Drill holes, insert wall anchors and fasten first Z-Bracket to the wall using five #10 x 2" screws (Figure 2).
4. Position the second, lower Z-Bracket exactly 7 7/8" below the first bracket. Using a three foot spirit level to hold second bracket in place, mark all five mounting hole locations (Figure 1).
5. Drill holes, insert wall anchors and fasten second Z-Bracket to the wall using five #10 x 2" screws (Figure 2).
6. As illustrated, hang the wall cabinet onto the two Z-Brackets (Detail A & Figure 3).



Assemble units as described herein only. To do otherwise may result in instability. All screws, nuts and bolts must be tightened securely and must be checked periodically after assembly. Failure to assemble properly, or to secure parts may result in assembly failure and personal injury.