

# Assembly Instructions ■

## Casegoods Tackboard

May 2012

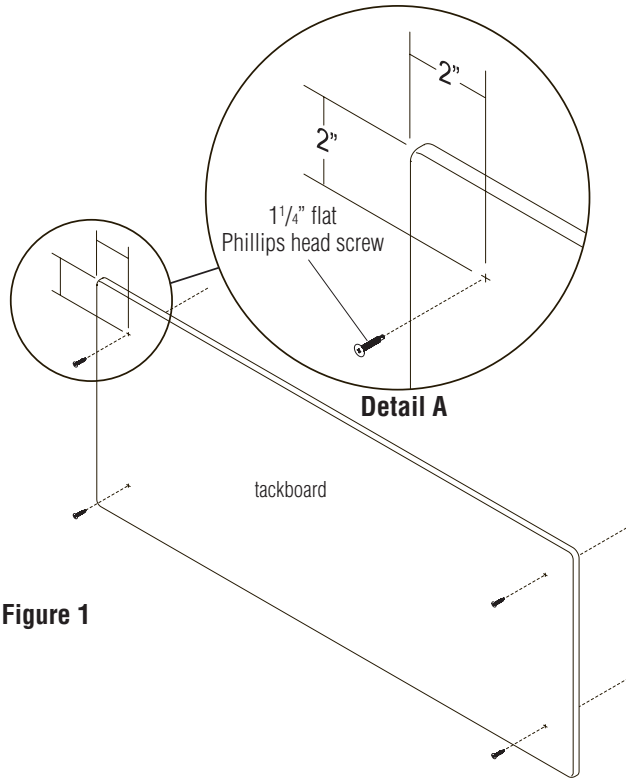


Figure 1

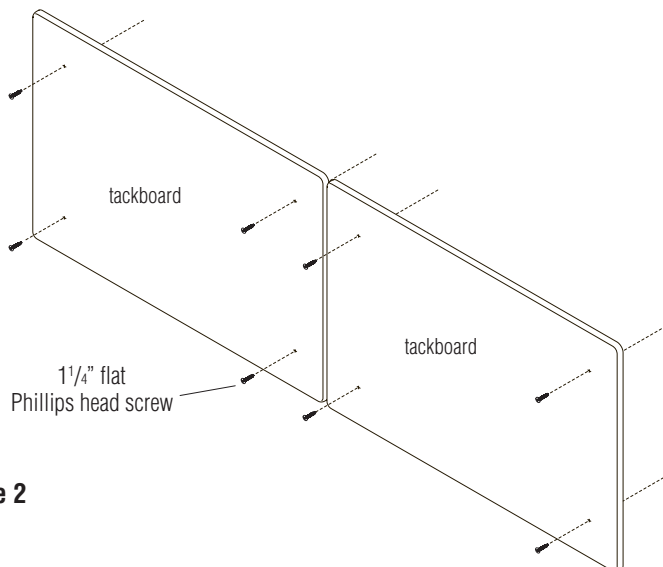


Figure 2

1. Carefully unpack all contents from packaging, then locate and identify the parts shown in Figure 1.
2. At each corner of the tackboard, make a mark 2" from each edge for placement of attachment screws (Detail A).
3. Center the tackboard under the hutch at the location it will be installed. With a drill driver, screw the tackboard into the veneer back panel with four 1 1/4" Phillips flat head screws to secure (Figure 1).
4. If your installation requires dual tackboards, take care to position both tackboards into the space and align first, then install one tackboard at a time with four 1 1/4" Phillips flat head screws at each tackboard (Figure 2).

