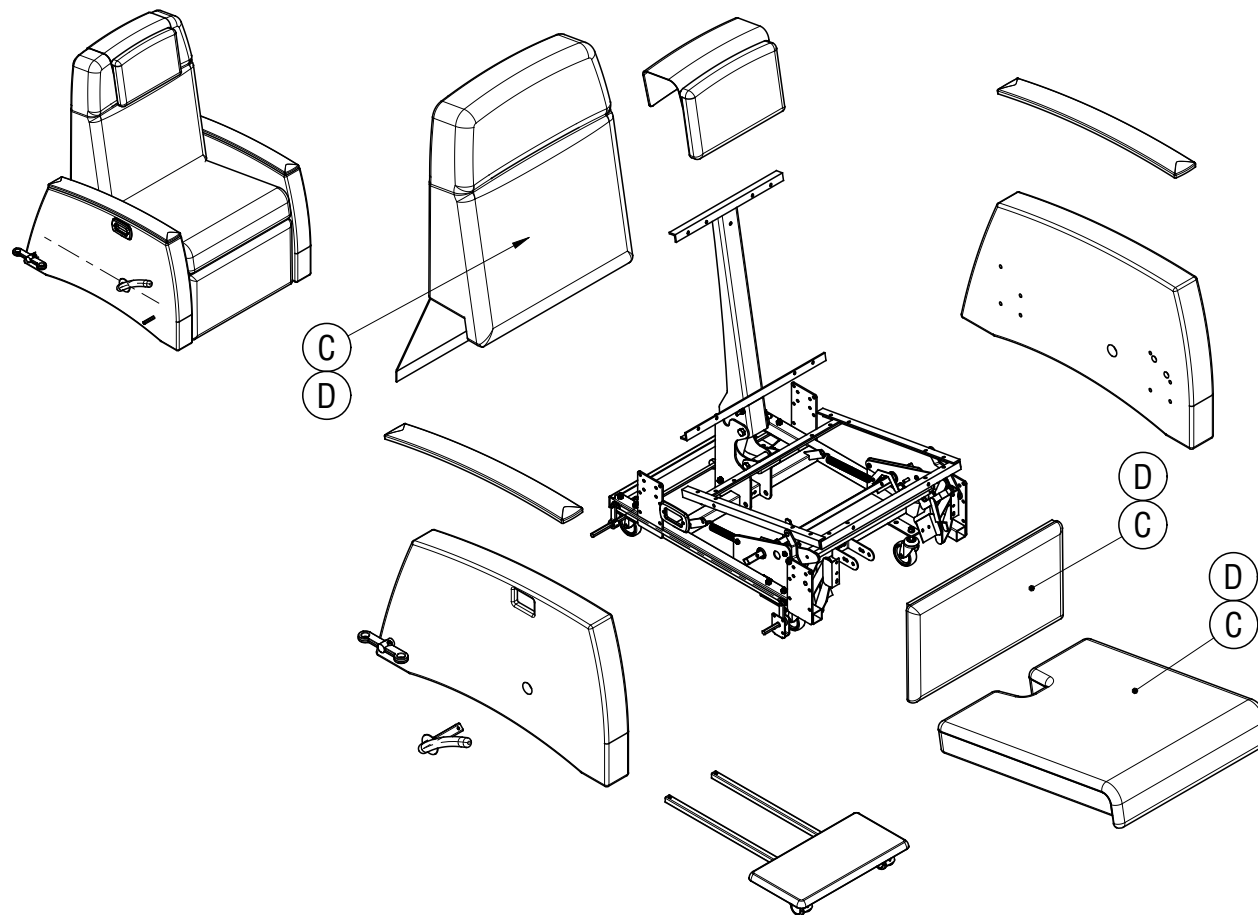


# Disassembly Instructions



Recliner / Sleeper Recliner / Gliders: Affina, Briar, Flex, Perth, Soltice, Three, Series II

Material Type:      A. Steel      B. Wood      C. Foam      D. Fabric      E. Coated Steel      F. Aluminum/Alloy      G. Plastic



## Procedure:

1. At the rear of the backrest open or cut the fabric on the backrest to expose internal mounting screws or spring clips holding the backrest frame onto the recliner frame. Pull the backrest assembly upward to remove and set aside.
2. Locate and remove all the fasteners for seat and arm assemblies. Set the assemblies aside.  
NOTE: Once the seat has been removed, the bolt securing the ottoman handle can be accessed to remove the handle from the frame, pulling it out the arm side.  
NOTE: Recliner actuator cables may be cut to aid side arm removal.
3. Extend the ottoman to access all the screws holding the ottoman pads to the steel frame. Remove all ottoman pads.
4. Pry off armcaps from arms. Cut fabric off and scrape thin foam layers from arm assemblies. Remove any steel brackets or hardware. Remove any casters or caster assemblies fastened to the arms. Remove any recline actuator controls from the arms. The cables may be cut to aid removal.

(Continued next page)

## General Notes:

1. Disassembly time: 35-45 minutes
2. This procedure assumes basic familiarity with hand tools and furniture terminology: no specialized training is required
3. All materials removed and disassembled shall be sorted and segregated with like materials and disposed of or recycled according to recycling availability or waste acceptance
4. For items to be recycled, refer to KI's End of Life Recycling Matrix and KI's End of Life Recovery Options Matrix, available at [www.ki.com](http://www.ki.com)

All fasteners not explicitly tagged or shown are Material Type A: Steel



Required Tools									Continued next page
	Gloves	Safety Glasses	Allen Wrench	Combination Wrench	Hex Socket Wrench	Phillips Screwdriver	Pliers	Pry Bar	

# Disassembly Instructions



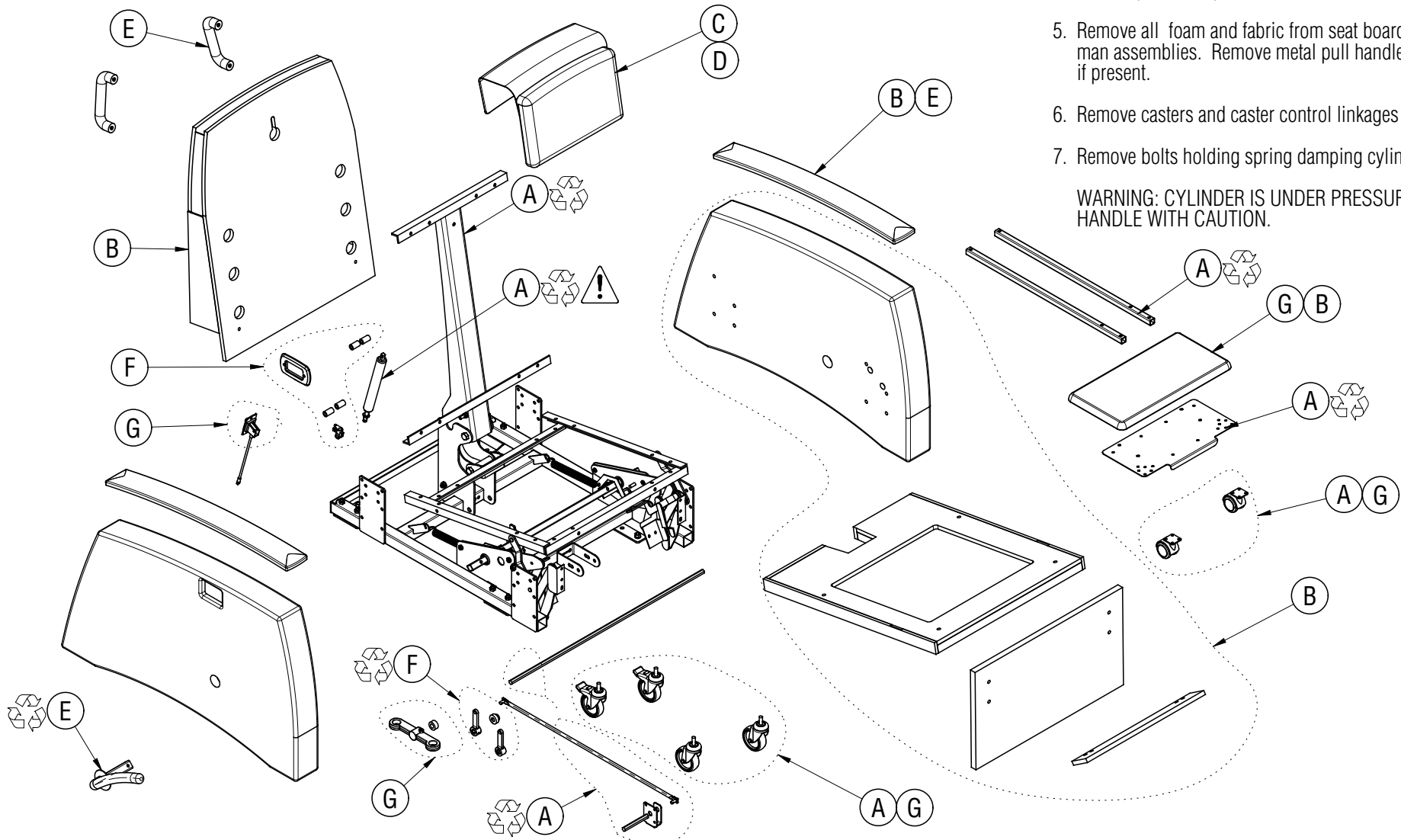
Recliner / Sleeper Recliner / Gliders: Affina, Briar, Flex, Perth, Soltice, Three, Series II

Material Type:      A. Steel      B. Wood      C. Foam      D. Fabric      E. Coated Steel      F. Aluminum/Alloy      G. Plastic

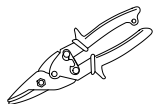
Procedure (continued):

5. Remove all foam and fabric from seat board, back rest and ottoman assemblies. Remove metal pull handle(s) from back rest if present.
6. Remove casters and caster control linkages if present.
7. Remove bolts holding spring damping cylinder.

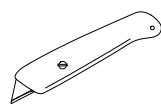
**WARNING: CYLINDER IS UNDER PRESSURE. HANDLE WITH CAUTION.**



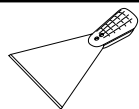
## Required Tools



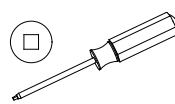
Tin Snips



Utility Knife



Putty Knife



Robertson Screwdriver