

Affina[®] Collection

elegant | sophisticated | comprehensive



Furnishing Knowledge[®]



*Thoughtful
Interpretation*
reflected in the details

Cover: Pallas® Textiles Heart Beat Pumice (chair), Turtle Neck Citron Sun (pillow), River Cherry on Beech.

Page 2 (main) and Page 3 (bottom): Pallas® Textiles Heritage Blonde Bombshell, Marbles Tire Swing (pillow), Cocoa on Beech.

Page 3 (top): Pallas® Textiles Patina Wheat (loveseat), Off Track Carbon (chair), Composition Gold (pillow), Cocoa on Beech.



The Affina® Collection brings to life the finer points of line and movement, function and sophistication. Born from the perceptive design talents of Dan Cramer and Paul James, Affina reflects an aesthetic that speaks to all environments by articulating a timeless vision.



Page 4 (main): Pallas® Textiles Spin Art Sand Box (sofa), Heart Beat Pumice (chairs), Turtle Neck Citron Sun (pillows), River Cherry on Beech.

Page 5 (top): Pallas® Textiles Line Silver (chair), Spin Art Sand Box (pillow), River Cherry on Beech.

Page 5 (bottom): Pallas® Textiles Line Silver (chair & loveseat), Unspun Sea (pillow), River Cherry on Beech.



*Romantic
Expressions*
in beautiful form



From first impressions to limitless expressions, Affina is the height of sophistication. Its elegant style hints of romance and history, intertwined with a contemporary and highly customizable design. It effortlessly balances the essentials with the enviable, the indispensable with the inspirational.



Page 6 (main): Pallas® Textiles Patina Pumice (loveseat and sofa seat), Grid Blizzard (sofa back), Holy Cow Super White (chairs), Friendship Bracelet Marco Polo (pillow), Natural on Beech.

Page 7 (top): Pallas® Textiles Holy Cow Super White, Friendship Bracelet Marco Polo (pillows), Natural on Beech.

Page 7 (bottom): Pallas® Textiles Holy Cow Super White (sofa), Marbles Snow Day (chair), Natural on Beech.



Artfully Versatile

in style and purpose

Practical yet poetic. Functional yet alluring. Create a purposeful space filled with uncommon beauty. Explore new visions in sophistication and style, and rediscover the essence of inspired design in Affina.





(Top left): Pallas® Textiles Patina Pumice (back), Holy Cow Too Summer Suit (seat), Cinnamon on Beech, Black Poly Arm.
(Top right): Pallas® Textiles Holy Cow Too Summer Suit, Cinnamon on Beech. Also shown: Aristotle® casegoods in Biltmore Cherry.
(Bottom): Pallas® Textiles Patina Pumice, Cinnamon on Beech.



Nurturing Design Sensibilities

As its name implies, Affina's natural affinity to complement any space is unmistakable. Its handcrafted design is ideally suited for high-performance healthcare environments yet is brilliant in any setting.

(Top): Pallas® Textiles Heritage Master's Robe (glider), Grill Cloth Brown Tolex (LaResta back), Bounce Steel Gray (LaResta seat), Marbles Tire Swing (lg. pillow), Friendship Bracelet Marco Polo (sm. pillow), Arbor Terra (bedcovering), Cinnamon on Beech. (Bottom): Pallas® Textiles Bounce Silver Lining (sleeper & recliner), Holy Cow Super White (patient chair), Cinnamon on Beech. Also shown: Dante® cabinet in Biltmore Cherry.

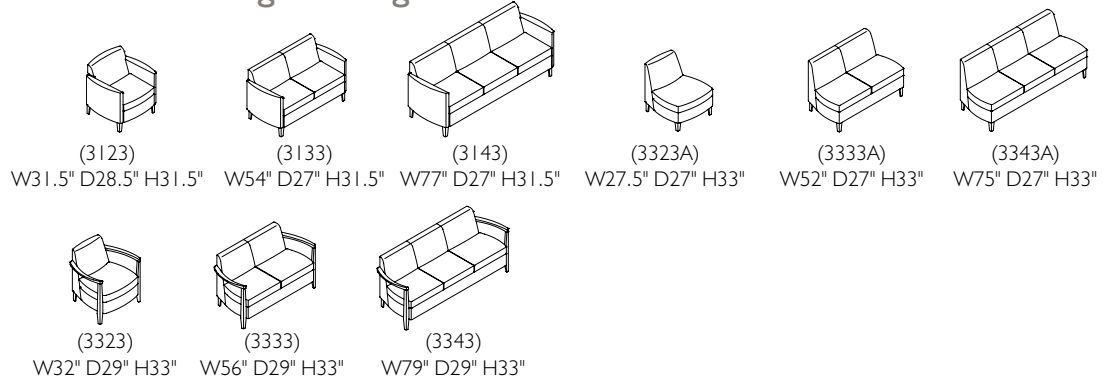


Statement of Line

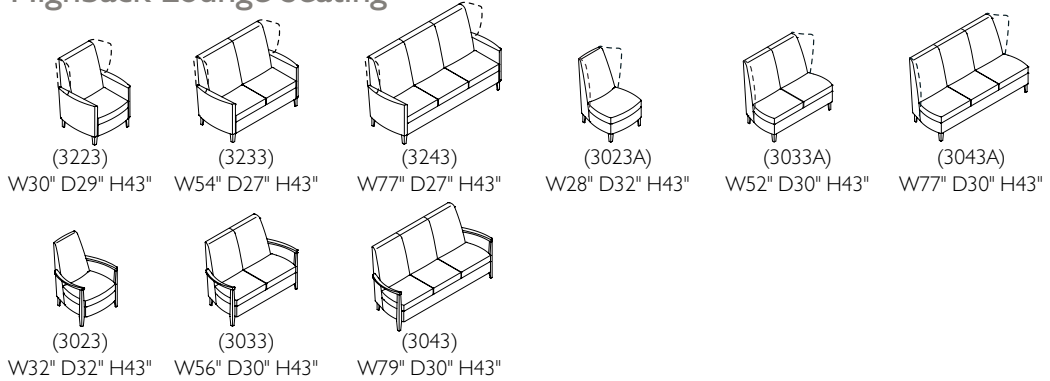
Among the industry's most comprehensive healthcare lounge collections, Affina provides a broad continuum of opportunities to meet a variety of needs with a consistent visual expression throughout a facility.



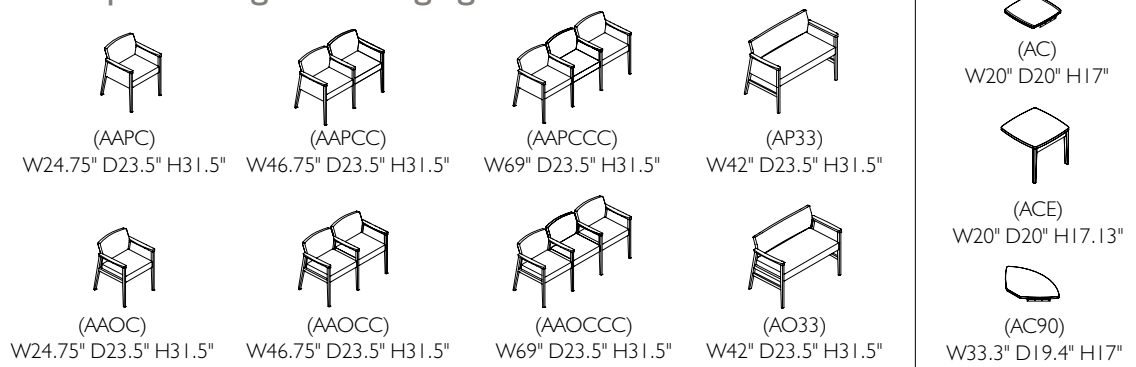
Lowback Lounge Seating



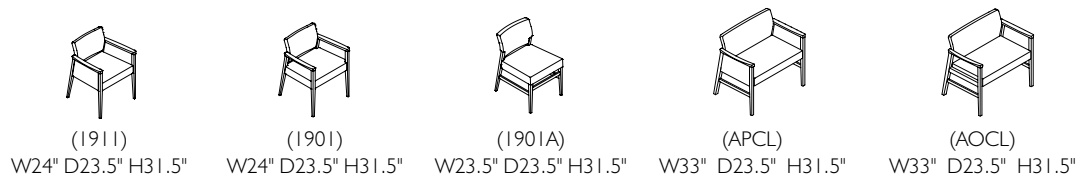
Highback Lounge Seating



Multiple Seating with Ganging Tables

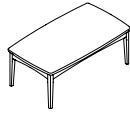


Guest & Bariatric Seating





Occasional Tables



(9703)
W42" D24" H16"



(9702)
W24" D24" H22"



(9701)
W24" D20" H22"



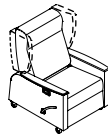
(9704)
W24" D20" H16"



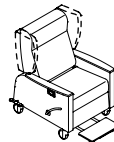
Recliners



(AR)
W30" D35.5" H47"



(AR II 1.5)
W33.33" D36.5" H46"



(AR II)
W33.5" D36.5" H46"



(AR II BAR)
W38" D36.5" H46"



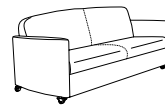
Sleepover Seating



(ALS)
W35.5" D35.5" H34.5"



(ALSS)
W64.75" D35.5" H34.5"



(FSX/AF)
W84.25" D34" H34"



Patient Seating



(AAPP)
W26.5" D31.75" H43.5"



(AAPX)
W28.5" D28.75" H44.75"



(AAPG)
W26.5" D31.25" H43.5"



(APHC)
W24.75" D23.5" H38.5"



(AOHC)
W24.75" D23.5" H38.5"

SPECIFYING NOTES:

- Bariatric options accommodate users up to 750 lbs, supporting user safety and dignity
- Designed for ease of ingress and egress to support user safety
- Field replaceable components support environmental and sustainable initiatives
- Lifetime warranty comes standard with each piece in collection
- Pallas® Textiles offers a variety of high-performance fabric options that withstand the rigors of repeated patient care

The finishes and upholsteries shown in this brochure are a representation of those noted on the pages. In order to obtain a more accurate specification, please order finish and memo samples directly from ki.com/literature or pallastextiles.com.

Learn more about
Affina Collection



Printed on FSC® certified paper,
using only vegetable-based inks,
including metallics. Please recycle.

KI is a trusted expert for furniture and wall systems around the globe.
USA | CANADA | MEXICO | UK | EUROPE | ASIA | MIDDLE EAST | AUSTRALIA
1330 Bellevue Street • P. O. Box 8100 • Green Bay, WI 54308-8100 • 1-800-424-2432 • www.ki.com

© 2015 Krueger International, Inc. All Rights Reserved. Code KI-00999R1/HC/AP/0815
KI and Furnishing Knowledge are registered trademarks of Krueger International, Inc.



Furnishing Knowledge®