

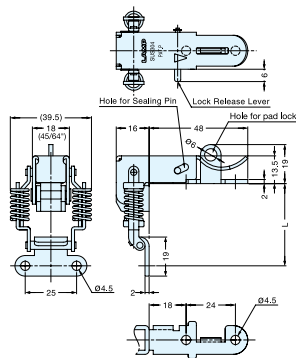
CORNER FASTENER (W/LOCK)



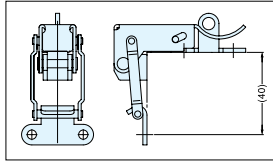
STF-C64A, B



STF-C64A



STF-C64B
(To be used with rubber gasket)



- Designed to allow front operation.
- Locks when fastened to prevent accidental release.
- Pull lever and lift latch to open.
- Available with or without spring.
- Door thickness : 14~28 mm (9/16"~1-1/8")

•STF-C64A

L (mm)	Clamping Force kgf±1.5 (lbs±3.3)
40	0
41	6.0 (13.2 lbs)
42	7.3 (16 lbs)
43	8.6 (19 lbs)
44	9.9 (21.8 lbs)

*Maximum "L" dimension is 44 mm.

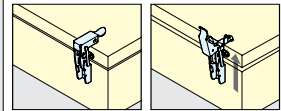
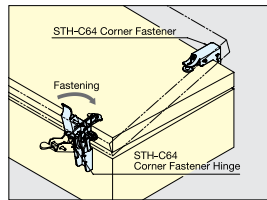
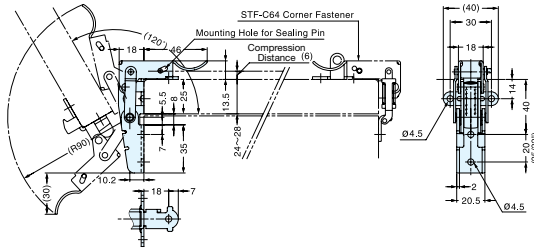
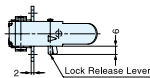
Item No.	Spring	Weight (g)	Box (pcs)	Carton (pcs)
STF-C64A	With	66.5	15	210
STF-C64B	Without	60		

Material	Finish
304 Stainless Steel	Polished

CORNER FASTENER HINGE (W/LOCK)



STH-C64



Installation

- Compresses cover to achieve better sealing.
 - Works with STF-C64 fastener.
 - To be used with rubber gasket.
 - Designed to allow front operation.
 - Locks when fastened to prevent accidental release.
 - Pull lever and lift latch to open.
- Door size: W300 x H400/pair
Door thickness: t = 24 mm~28mm
Door weight: Max. 2.8 kg (6.1 lbs)/pair

Item No.	Weight (g)	Box (pcs)	Carton (pcs)
STH-C64	90	10	140

Material	Finish
304 Stainless Steel	Polished

CORNER FASTENER



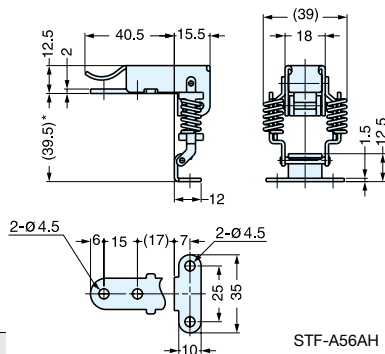
STF-A56AH, AC



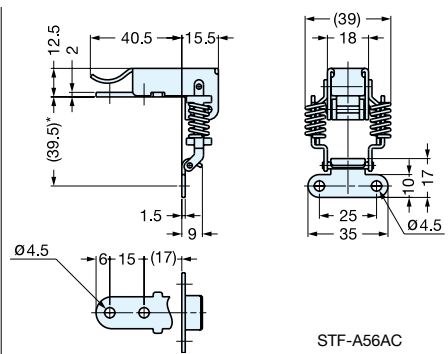
STF-A56AH



STF-A56AC



STF-A56AH



STF-A56AC

- Designed to allow front operation.
- Available in two different counterplate styles.

Material	Finish
304 Stainless Steel	Polished

Item No.	Weight (g)	Box (pcs)	Carton (pcs)
STF-A56AH	56	100	1000
STF-A56AC			

*Dimensions shown are for clamping force of "0".

*Dimensions shown are for clamping force of "0".