



FACTOR CONICAL LED



Applications: Perfectly coordinated optical systems ensure uniform light distribution with high precision. Even more brilliant accent lighting is provided thanks to aluminium-sputtered, high-precision polycarbonate reflectors. Free from IR and UV radiation, FACTOR combines high quality with gentle lighting.

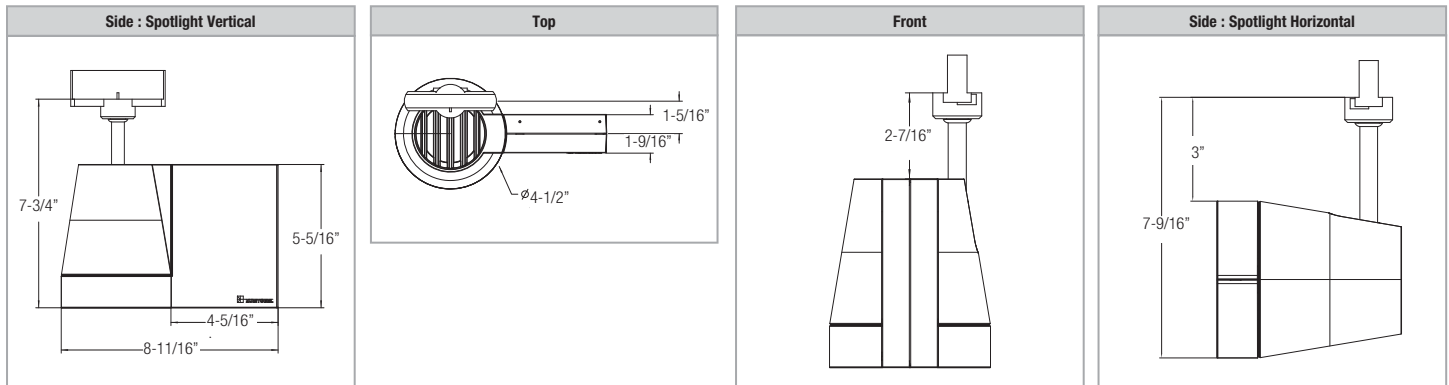
Type: _____

Project: _____

IBEW Union Made

FACTOR CONICAL LED SPOTLIGHT							
FACTCO							
FIXTURE	LUMEN OUTPUT	CCT	BEAM SPREAD	CRI	FINISH	ADAPTER	DRIVER
FACTCO FACTOR Conical Spotlight	2800 lm	K40 4000	FL Flood	80 80+ CRI	WH White BK Black	EU11 1-Circuit 120V	SW Non-dimming SWITCHED
	4100 lm		SP Spot			EU21 2-Circuit 120V	DT Triac DIMMING (120V only)
	2700 lm	K30 3000	WF Wide Flood	90 90+ CRI		EU11C 1-Circuit 120V Control	DA_ 1-10V Dimming
	4000 lm					EU21C 2-Circuit 120V Control	DD_ DALI Dimming)
	2100 lm						DH_ Lutron Hi-Lume
3100 lm							

Dimensional Data

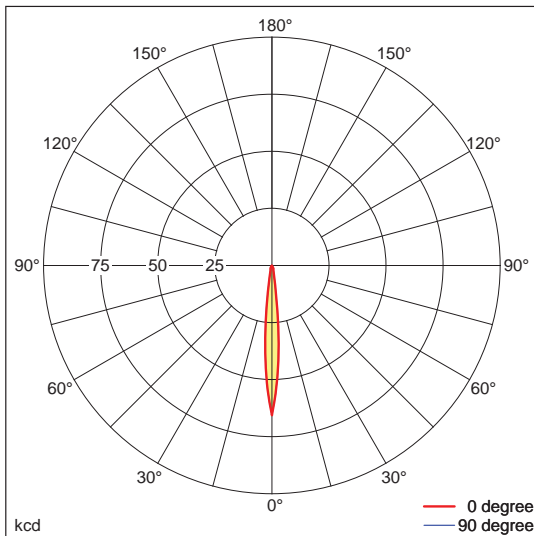


Technical Details

- Track** – FACTOR is compatible with EUTRAC™. For additional information regarding this track system, please see spec sheet on the website for EUTRAC™.
- Adaptor / Driverbox** – Track adaptor and injection molded polycarbonate driver box are supplied with the fixture.
- Housing** – Die-cast aluminum housing painted white or black. Electronic control gear fitted in spotlight housing.
- Rotation and Pivot** – Spotlight head rotates through 360°, pivots through 90°
- Wattage, CCT, CRI** – Unit is available in CRI 80 3000K with 24W 2700 lm or 36W 4000 lm, 4000K with 24W 2800 lm or 36W 4100 lm. Also available in CRI 90 3000K with 24W 2100 lm or 36W 3100 lm. White LEDs with 90+ color rendering.
- Dimming** – Standard unit is non-dimming switched, use EU11. Triac dimming (120V only) use EU11 or EU21. Integral 0-10V, DALI, Lutron Hi-Lume or Lutron 5-series dimming require control track, or use EU11C based on voltage and circuit quantity.
- Life** – 50,000 hours rated life. L70.
- Optic** – Polycarbonate (PC) aluminium-sputtered specular reflector.
- Beam Spread** – Unit is available in Spot, Flood and Wide Flood distribution.
- Clean Beam** – Symmetric beam pattern, free of striations with smooth transition from center beam to outer edge.
- Weight** – 3 lbs.

Photometric Data

FACTCO4100K40SP80WHEU11SW



Technical Description	
Designation	FACTCO4100K40SPWHEU11SW
Total lamp lumens	4100 lm
Input watts	36.0 W

Coefficients of Utilization														
Ceiling	80				70				50			30		
Walls	70	50	30	10	70	50	30	10	50	30	10	50	30	10
RCR	Effective Floor Cavity Reflectance = 20%								Spacing Criteria (along, across, 45°) = 0.2, 0.2, 0.2					
0	119	119	119	119	116	116	116	116	111	111	111	106	106	106
1	116	115	113	112	114	113	111	110	109	108	107	105	104	104
2	113	110	108	106	111	108	106	105	105	104	102	103	101	100
3	110	106	103	101	108	105	102	100	103	100	99	100	99	97
4	107	103	100	97	106	102	99	97	100	97	95	98	96	94
5	105	100	96	94	104	99	96	94	98	95	93	96	94	92
6	102	97	94	91	101	97	93	91	95	93	90	94	92	90
7	100	95	91	89	99	94	91	89	93	90	88	92	90	88
8	98	93	89	87	97	92	89	87	91	89	87	91	88	86
9	96	91	87	85	95	90	87	85	90	87	85	89	86	85
10	94	89	86	84	94	89	86	83	88	85	83	87	85	83

Candela distribution							
	0	15	30	45	60	75	90
0.0°	65485	65485	65485	65485	65485	65485	65485
10.0°	8124	8124	8124	8124	8124	8124	8124
20.0°	1741	1741	1741	1741	1741	1741	1741
30.0°	1145	1145	1145	1145	1145	1145	1145
40.0°	3	3	3	3	3	3	3
50.0°	0	0	0	0	0	0	0
60.0°	0	0	0	0	0	0	0
70.0°	0	0	0	0	0	0	0
80.0°	0	0	0	0	0	0	0
90.0°	0	0	0	0	0	0	0
100.0°	0	0	0	0	0	0	0
110.0°	0	0	0	0	0	0	0
120.0°	0	0	0	0	0	0	0
130.0°	0	0	0	0	0	0	0
140.0°	0	0	0	0	0	0	0
150.0°	0	0	0	0	0	0	0
160.0°	0	0	0	0	0	0	0
170.0°	0	0	0	0	0	0	0
180.0°	0	0	0	0	0	0	0

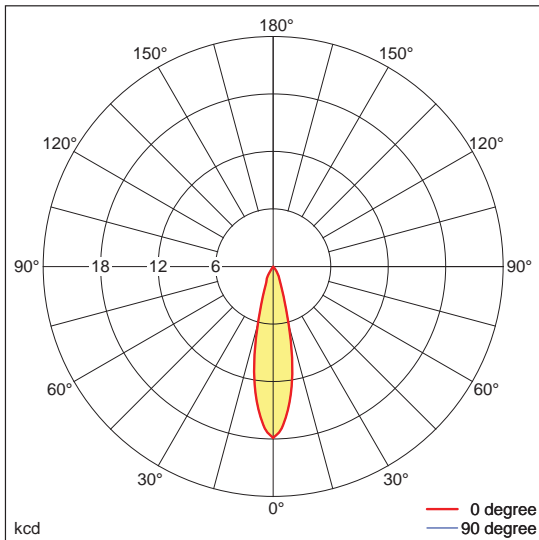
Intensities in cd based on 4100 lm

All values are rated values. Luminous flux and connected electrical load are subject to an initial tolerance of +/- 10%. Tolerance of color temperature: +/- 150 K. Unless stated otherwise, the values apply to an ambient temperature of 25°C.

Refer to IES Files for further photometric information at www.zumtobel.us

Photometric Data

FACTCO4100K40FL80WHEU11SW



Technical Description	
Designation	FACTCO4100K40FLWHEU11SW
Total lamp lumens	4100 lm
Input watts	36.0 W

Coefficients of Utilization														
Ceiling	80				70				50			30		
Walls	70	50	30	10	70	50	30	10	50	30	10	50	30	10
RCR	Effective Floor Cavity Reflectance = 20%								Spacing Criteria (along, across, 45°) = 0.4, 0.4, 0.4					
0	119	119	119	119	116	116	116	116	111	111	111	106	106	106
1	115	113	112	110	113	111	110	108	107	106	105	104	103	102
2	112	108	105	103	109	106	104	102	103	101	99	100	99	97
3	108	103	100	97	106	102	99	96	100	97	95	97	95	93
4	105	99	95	92	103	98	95	92	96	93	91	94	92	90
5	101	95	91	88	100	95	91	88	93	90	87	92	89	87
6	98	92	88	85	97	91	88	85	90	87	84	89	86	84
7	95	89	85	82	94	88	85	82	87	84	81	86	83	81
8	93	86	82	79	92	86	82	79	85	81	79	84	81	78
9	90	84	79	77	89	83	79	77	82	79	76	82	78	76
10	88	81	77	74	87	81	77	74	80	77	74	79	76	74

Candela distribution							
	0	15	30	45	60	75	90
0.0°	17873	17873	17873	17873	17873	17873	17873
10.0°	11480	11480	11480	11480	11480	11480	11480
20.0°	2866	2866	2866	2866	2866	2866	2866
30.0°	1157	1157	1157	1157	1157	1157	1157
40.0°	4	4	4	4	4	4	4
50.0°	0	0	0	0	0	0	0
60.0°	0	0	0	0	0	0	0
70.0°	0	0	0	0	0	0	0
80.0°	0	0	0	0	0	0	0
90.0°	0	0	0	0	0	0	0
100.0°	0	0	0	0	0	0	0
110.0°	0	0	0	0	0	0	0
120.0°	0	0	0	0	0	0	0
130.0°	0	0	0	0	0	0	0
140.0°	0	0	0	0	0	0	0
150.0°	0	0	0	0	0	0	0
160.0°	0	0	0	0	0	0	0
170.0°	0	0	0	0	0	0	0
180.0°	0	0	0	0	0	0	0

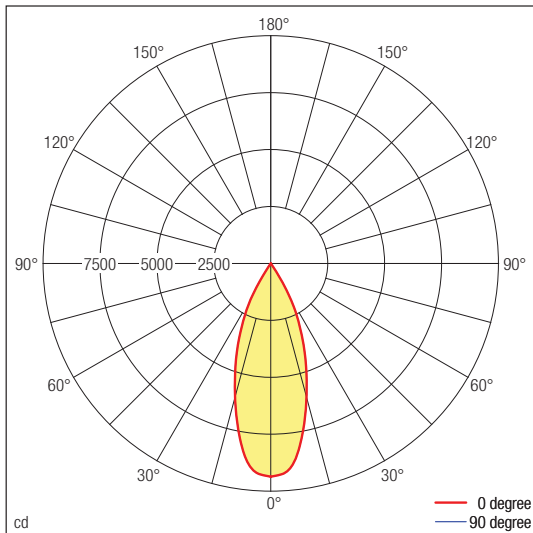
Intensities in cd based on 4100 lm

All values are rated values. Luminous flux and connected electrical load are subject to an initial tolerance of +/- 10%. Tolerance of color temperature: +/- 150 K. Unless stated otherwise, the values apply to an ambient temperature of 25°C.

Refer to IES Files for further photometric information at www.zumtobel.us

Photometric Data

FACTCO4100K40WFL80WHEU11SW



Technical Description	
Designation	FACTCO4100K40WFL80WH
Total lamp lumens	4100 lm
Input watts	36.0 W

Coefficients of Utilization														
Ceiling	80				70				50				30	
Walls	70	50	30	10	70	50	30	10	50	30	10	50	30	10
RCR	Effective Floor Cavity Reflectance = 20%								Spacing Criteria (along, across, 45°) = 0.6, 0.6, 0.7					
0	119	119	119	119	116	116	116	116	111	111	111	106	106	106
1	115	112	110	109	112	110	108	107	106	105	104	103	102	100
2	110	106	103	100	108	105	102	99	102	99	97	99	97	95
3	106	101	97	94	104	100	96	93	97	94	92	95	92	90
4	102	96	92	88	101	95	91	88	93	90	87	91	88	86
5	98	92	87	84	97	91	86	83	89	85	82	88	84	82
6	95	88	83	79	93	87	82	79	85	82	79	84	81	78
7	91	84	79	76	90	83	79	75	82	78	75	81	77	75
8	88	80	76	72	87	80	75	72	79	75	72	78	74	72
9	85	77	72	69	84	77	72	69	76	72	69	75	71	69
10	82	74	70	66	81	74	69	66	73	69	66	72	69	66

Candela distribution							
	0	15	30	45	60	75	90
0.0°	9357	9357	9357	9357	9357	9357	9357
10.0°	7803	7803	7803	7803	7803	7803	7803
20.0°	4460	4460	4460	4460	4460	4460	4460
30.0°	1549	1549	1549	1549	1549	1549	1549
40.0°	7	7	7	7	7	7	7
50.0°	0	0	0	0	0	0	0
60.0°	0	0	0	0	0	0	0
70.0°	0	0	0	0	0	0	0
80.0°	0	0	0	0	0	0	0
90.0°	0	0	0	0	0	0	0
100.0°	0	0	0	0	0	0	0
110.0°	0	0	0	0	0	0	0
120.0°	0	0	0	0	0	0	0
130.0°	0	0	0	0	0	0	0
140.0°	0	0	0	0	0	0	0
150.0°	0	0	0	0	0	0	0
160.0°	0	0	0	0	0	0	0
170.0°	0	0	0	0	0	0	0
180.0°	0	0	0	0	0	0	0

Intensities in cd based on 4100 lm

All values are rated values. Luminous flux and connected electrical load are subject to an initial tolerance of +/- 10%. Tolerance of color temperature: +/- 150 K. Unless stated otherwise, the values apply to an ambient temperature of 25°C.

Refer to IES Files for further photometric information at www.zumtobel.us